



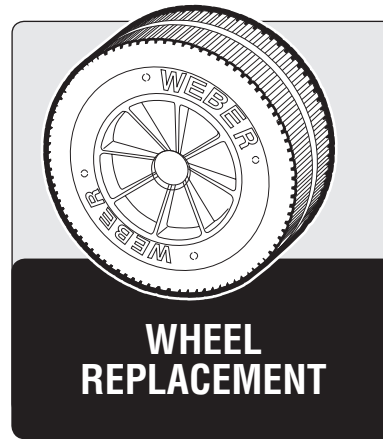
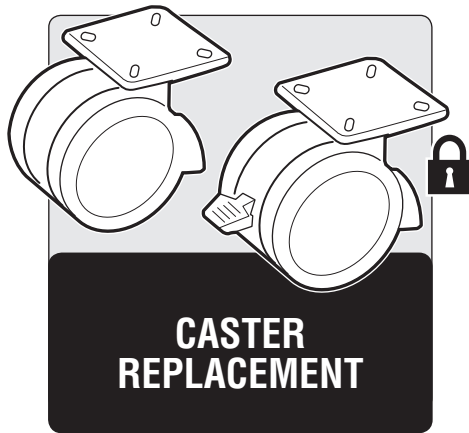
SPIRIT[®]

CASTER / WHEEL REPLACEMENT INSTRUCTIONS

**THIS PROCEDURE SHOULD ONLY BE PERFORMED BY AN AUTHORIZED
WEBER-STEPHEN PRODUCTS LLC SERVICE TECHNICIAN**

⚠ WARNING: GENUINE WEBER-STEPHEN REPLACEMENT PARTS MUST BE USED FOR ANY REPAIR OR REPLACEMENT. YOUR ACTIONS, IF YOU FAIL TO FOLLOW THIS PRODUCT WARNING, MAY CAUSE A FIRE, AN EXPLOSION, OR STRUCTURAL FAILURE RESULTING IN SERIOUS PERSONAL INJURY OR DEATH AS WELL AS DAMAGE TO PROPERTY. (WILL VOID ALL WARRANTY PROTECTION.)

⚠ DANGER: BEFORE PERFORMING ANY WORK MAKE SURE THE GAS SUPPLY IS TURNED OFF AT THE SOURCE. FAILURE TO FOLLOW DANGERS, WARNINGS AND CAUTIONS CONTAINED IN THIS INSTRUCTION SHEET MAY CAUSE A FIRE OR AN EXPLOSION RESULTING IN SERIOUS PERSONAL INJURY OR DEATH AS WELL AS DAMAGE TO PROPERTY.



⚠ BEFORE STARTING: Make sure lid is closed and casters are locked to prevent grill from moving.

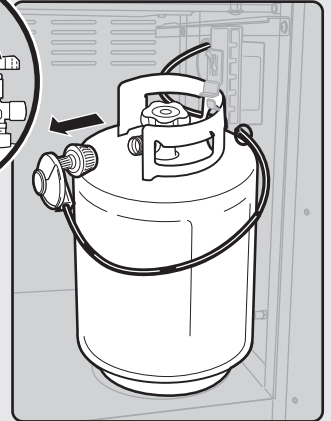
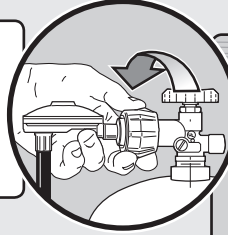
NOTE: Grills illustrated may differ slightly from model purchased.

NORTH AMERICAN GRILLS

LP UNITS:

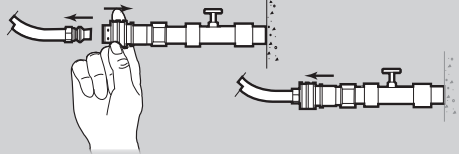
- A) Make sure gas supply is turned off at source.
- B) Disconnect LP cylinder from inside of cabinet base.
- C) Remove LP cylinder from cabinet base.

⚠ WARNING: Do not use a wrench to loosen the connection. Using a wrench could damage the regulator coupling and could cause a leak.



NG UNITS:

- A) Make sure gas supply is turned off at source.
- B) Slide collar of quick-disconnect back to remove flexible gas supply hose from gas source.



EXPORT GRILLS

LPG UNITS:

- ⚠ WARNING:** Make sure that the LPG cylinder or regulator valve is closed.

- A) Remove the gas supply cylinder by shutting off the gas supply and disconnecting the hose and regulator assembly from the cylinder.

Identify your regulator type. Follow the disconnection instructions for that regulator.

Disconnect by Turning Anti-Clockwise

Unscrew regulator from cylinder by turning fitting anti-clockwise (1).

Disconnect by Turning Clockwise

Unscrew regulator from cylinder by turning fitting clockwise (2) (3).

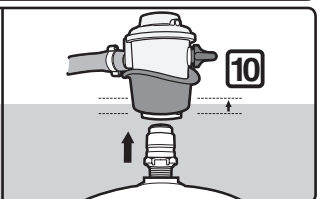
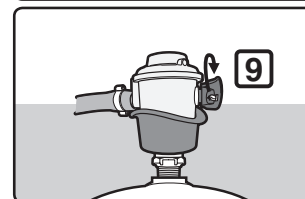
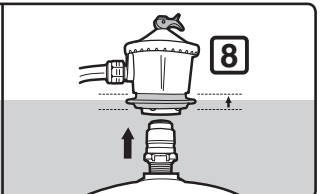
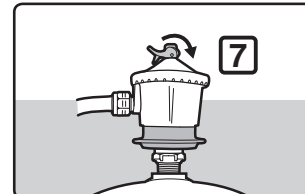
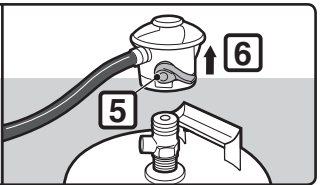
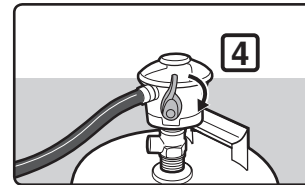
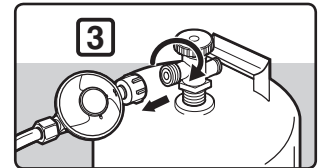
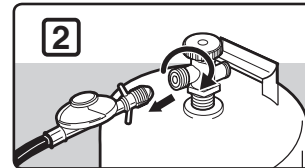
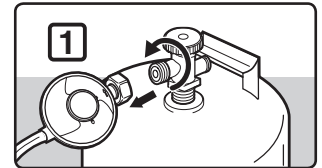
Disconnect by Turning Lever

Turn regulator lever to the down/off position (4). Push in on regulator lever (5) until it releases from the cylinder (6).

Disconnect by Sliding Collar

Make sure regulator lever is in the off position (7) (9). Slide the collar of the regulator up (8) (10) to disconnect from the cylinder.

- B) Remove LPG cylinder.



NG UNITS:

- A) Make sure gas supply is turned off at source.

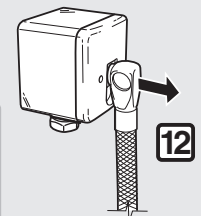
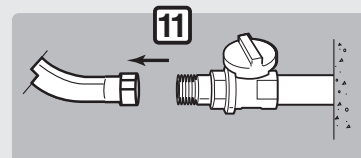
Manual Shut-Off Valve

- B) Disconnect flexible gas supply hose from manual shut-off valve (11). Refer to instructions included with your flexible gas supply hose.

— OR —

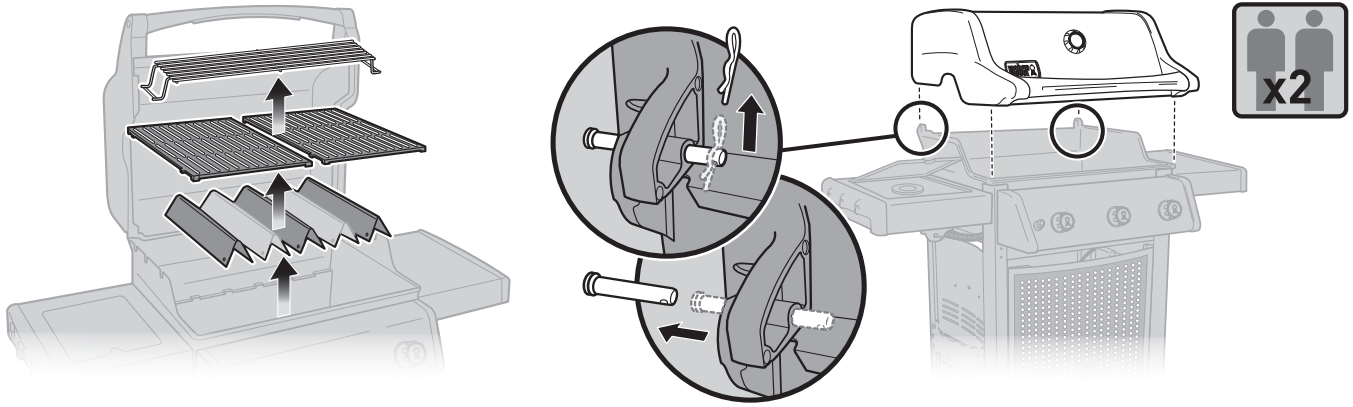
Gas Outlet Valve

- B) Disconnect flexible gas supply hose from gas outlet valve (12). Pull plug out to disengage hose from cover plate. (This automatically shuts off gas.) Refer to instructions included with your flexible gas supply hose.



2

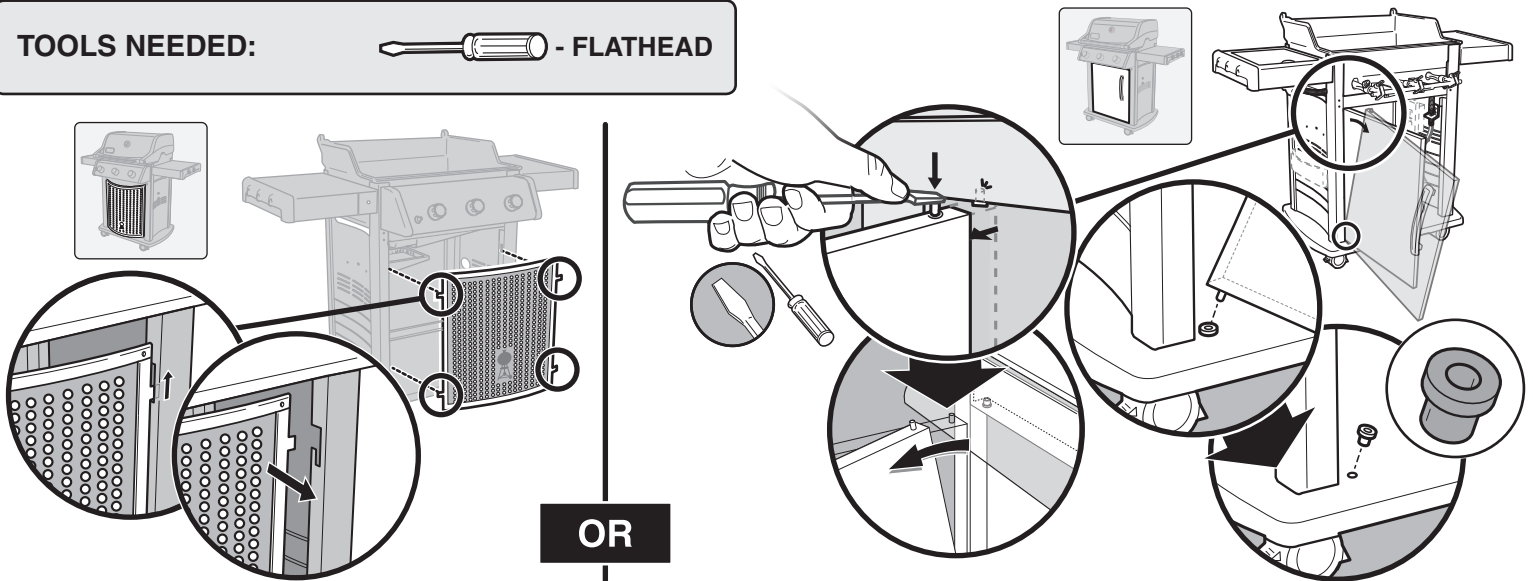
LID ASSEMBLY AND COOKBOX COMPONENTS REMOVAL



3

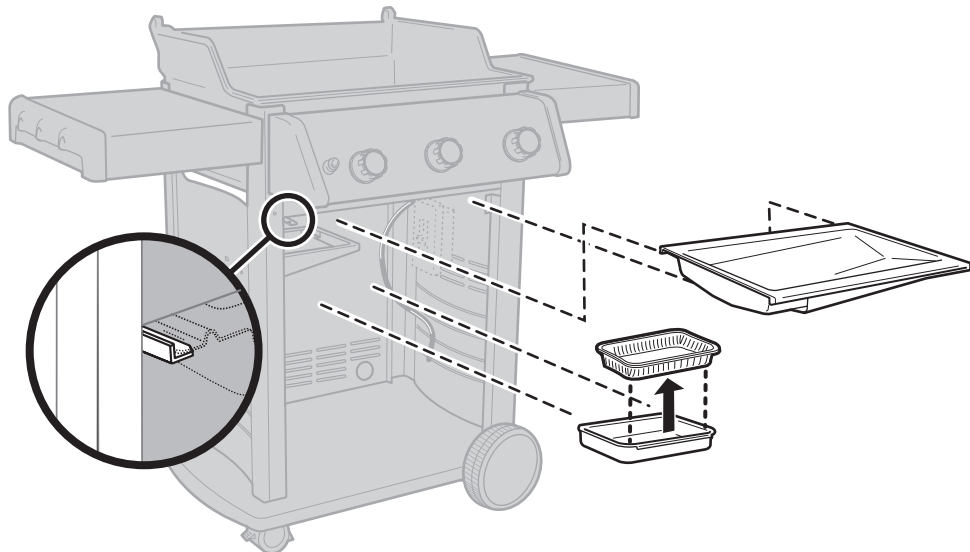
DOOR ASSEMBLY REMOVAL

TOOLS NEEDED:  - FLATHEAD



4

GREASE TRAY / DRIP PAN REMOVAL

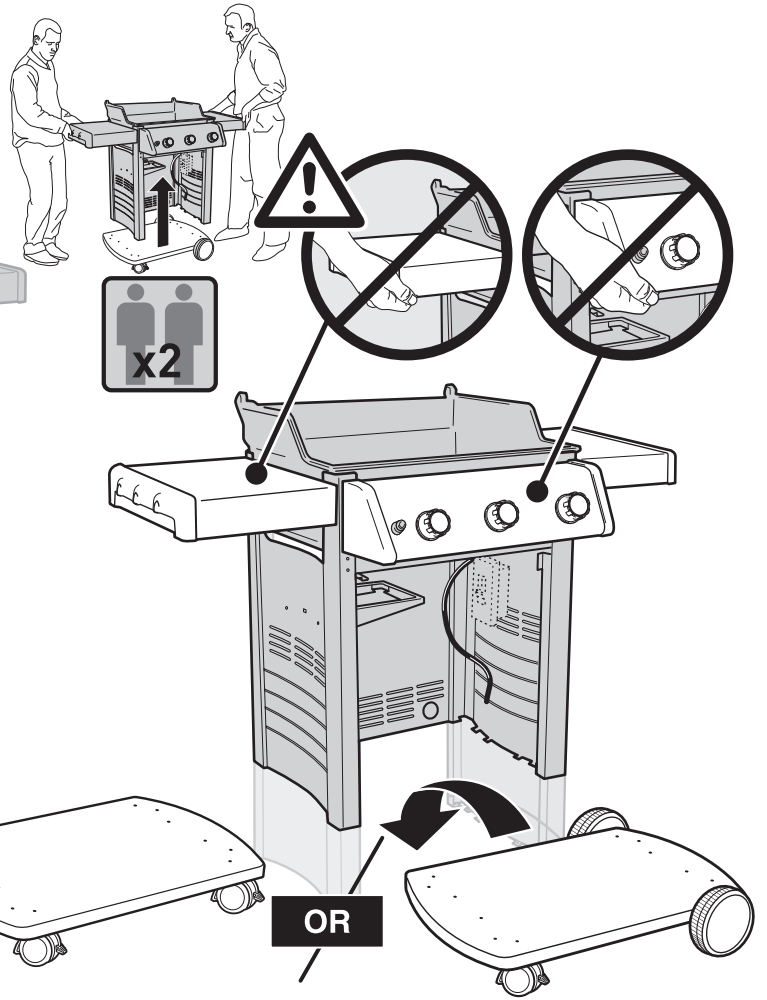
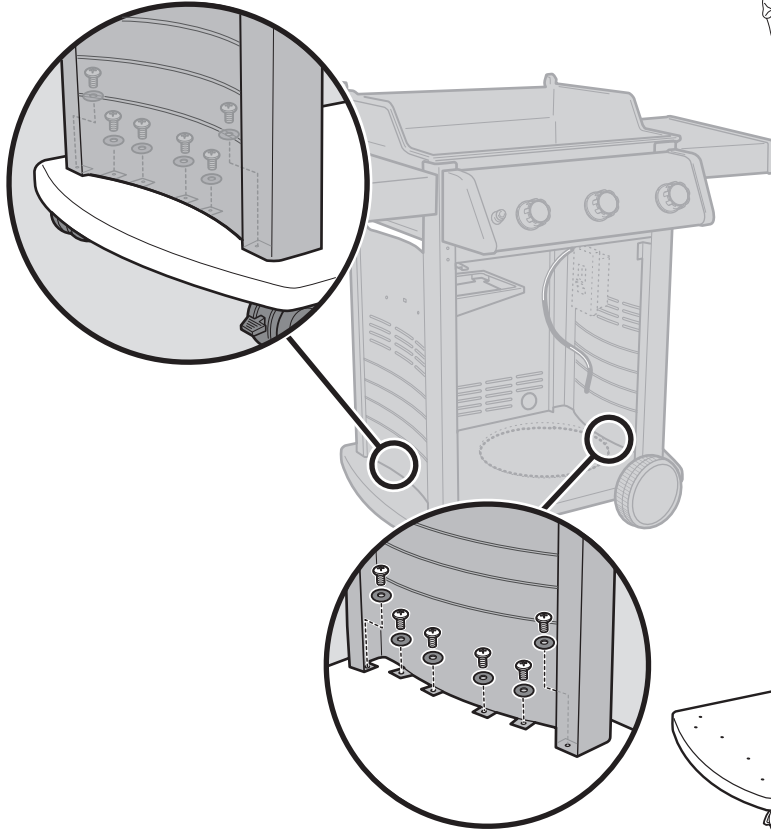


5

REMOVAL OF FRAME ASSEMBLY

TOOLS NEEDED:




 - PHILLIPS

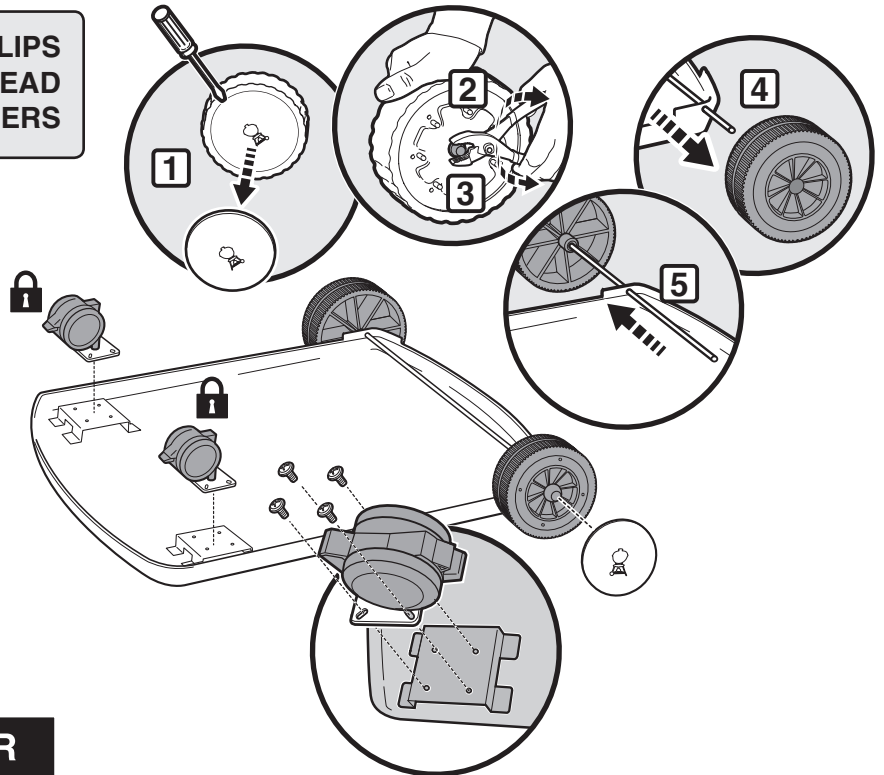
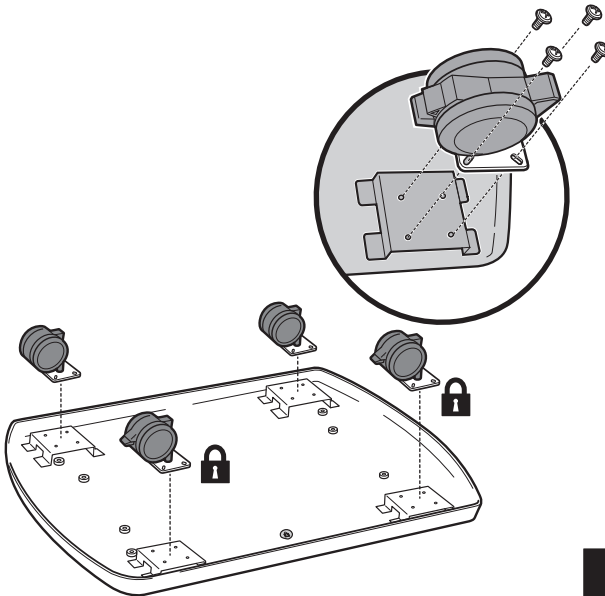


6

CASTER AND WHEEL ASSEMBLY REMOVAL

TOOLS NEEDED:

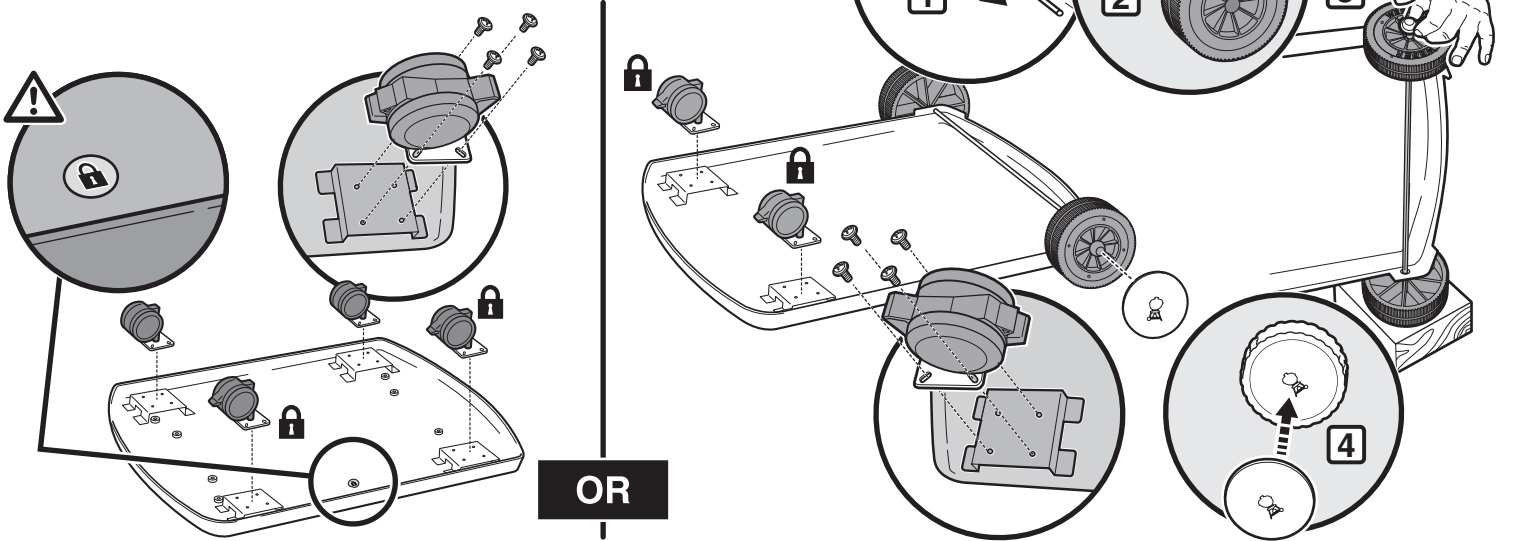
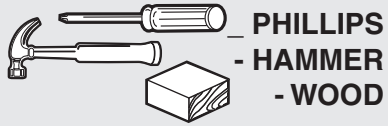
 - PHILLIPS
 - FLATHEAD
 - PLIERS



• REPLACEMENT PART INSTALLATION

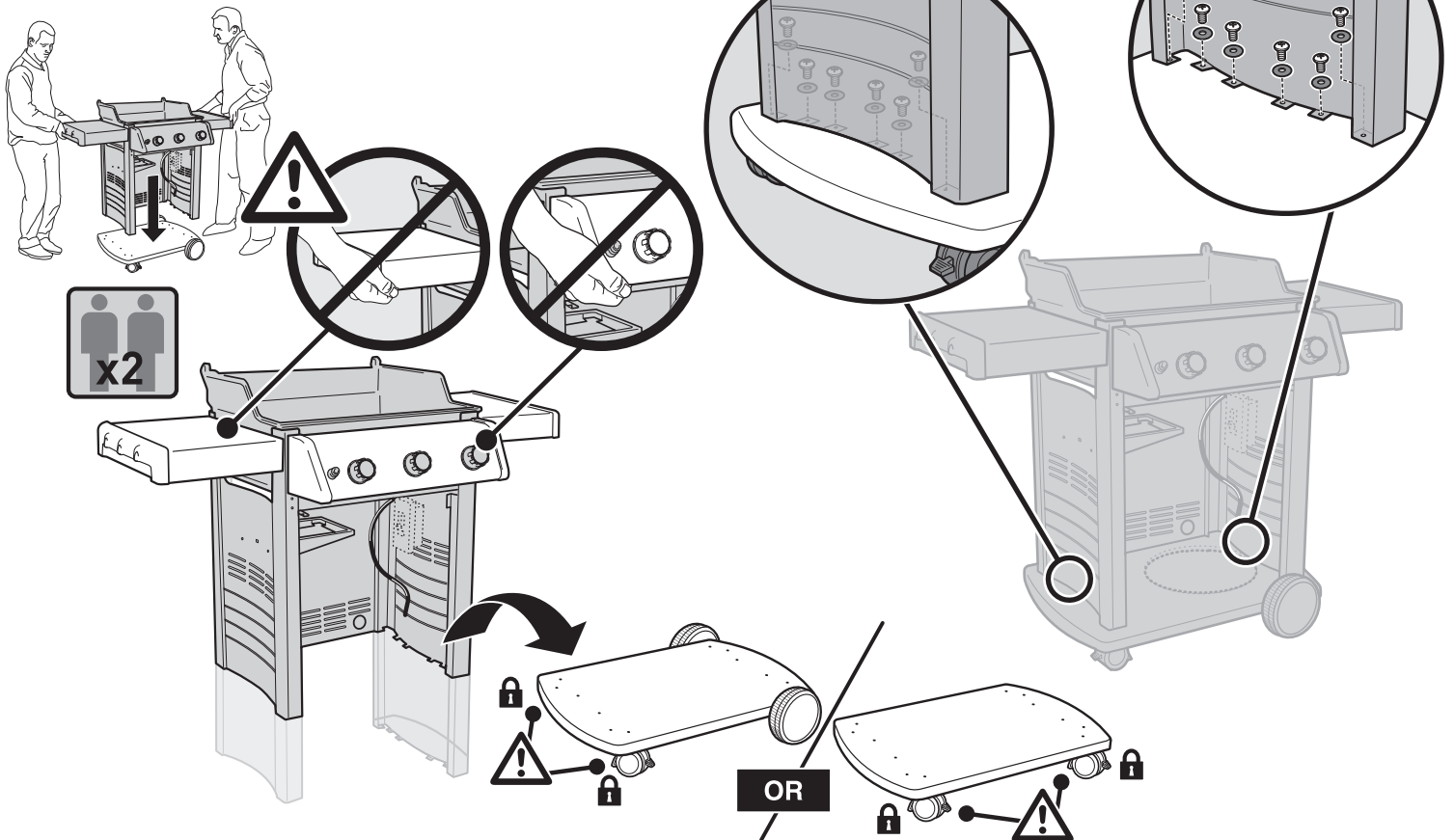
7 CASTER AND WHEEL ASSEMBLY REINSTALLATION

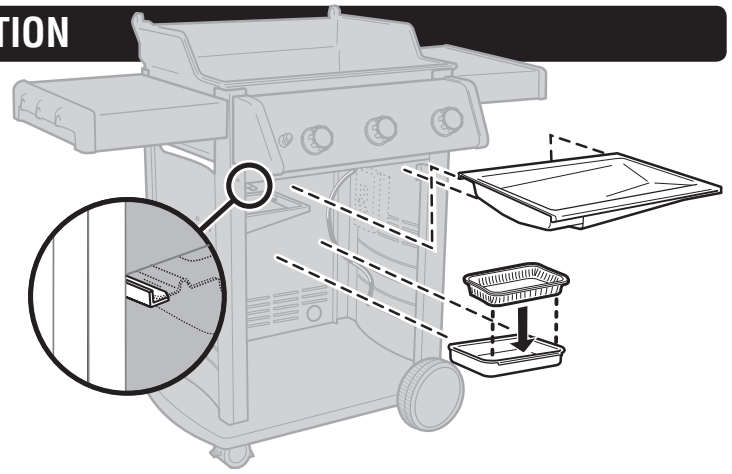
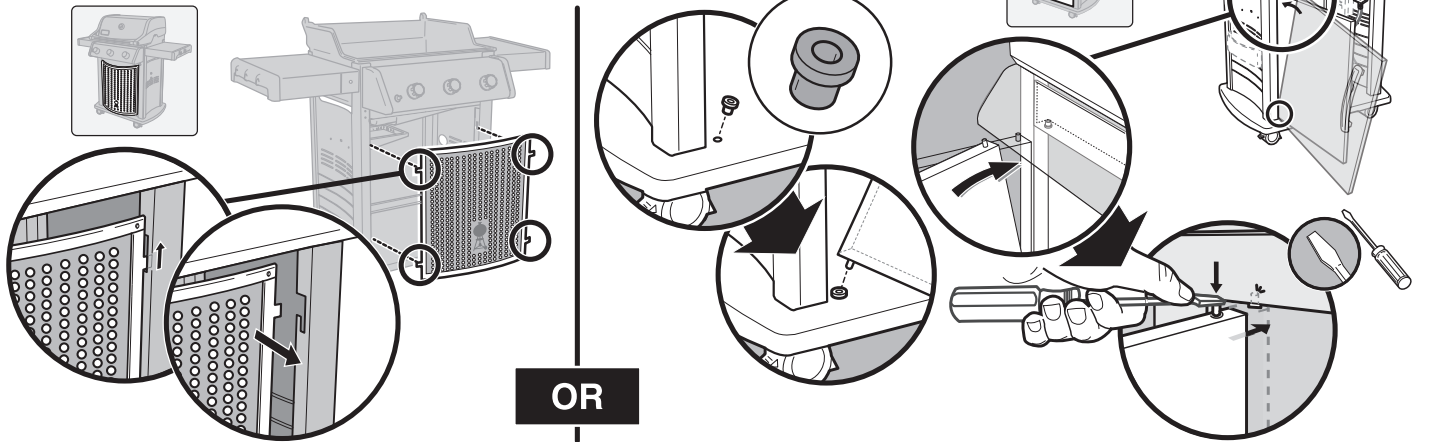
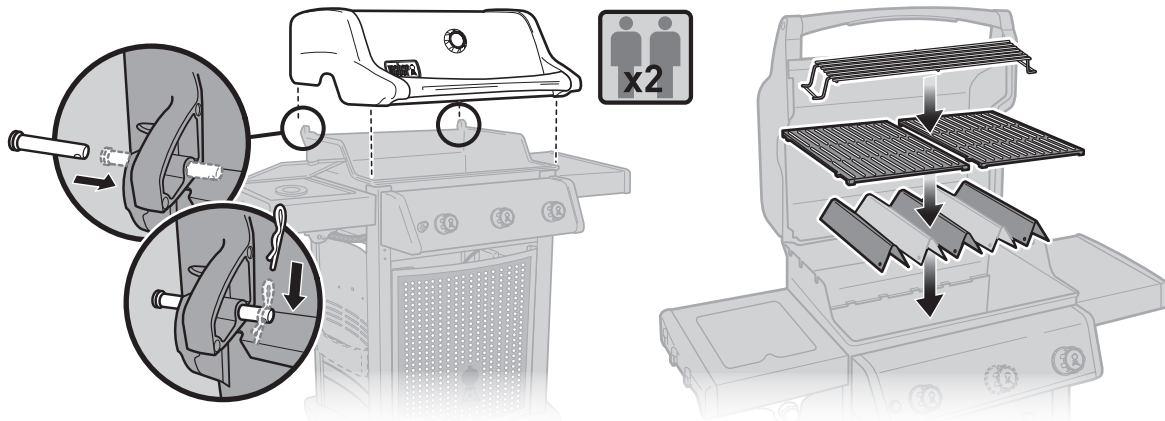
TOOLS NEEDED:



8 REINSTALLATION OF FRAME ASSEMBLY

TOOLS NEEDED:



9**GREASE TRAY / DRIP PAN REINSTALLATION****10****DOOR ASSEMBLY REINSTALLATION****TOOLS NEEDED:**
 - FLATHEAD
**11****LID ASSEMBLY AND COOKBOX COMPONENTS REINSTALLATION**

⚠️ PROPOSITION 65 WARNING: HANDLING THE BRASS MATERIAL ON THIS PRODUCT EXPOSES YOU TO LEAD, A CHEMICAL KNOWN TO THE STATE OF CALIFORNIA TO CAUSE CANCER, BIRTH DEFECTS OR OTHER REPRODUCTIVE HARM.

(WASH HANDS AFTER HANDLING THIS PRODUCT.)

⚠️ WARNING: Make sure all parts are assembled and hardware is fully tightened before operating the grill. Your actions, if you fail to follow this product warning, may cause a fire, an explosion, or structural failure resulting in serious personal injury or death as well as damage to property.

⚠ WARNING: Make sure all control knobs are turned to the OFF position before reconnecting gas supply and operating grill. Your actions, if you fail to follow this Product Warning, may cause a fire, an explosion, or structural failure resulting in serious personal injury or death as well as damage to property.

12

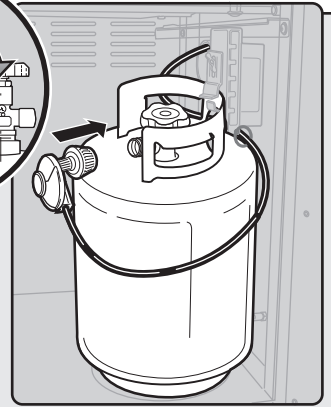
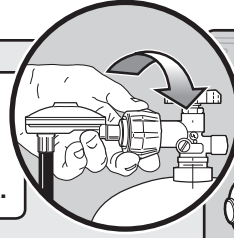
CONNECTION OF HOSE TO GAS SOURCE

NORTH AMERICAN GRILLS

LP UNITS:

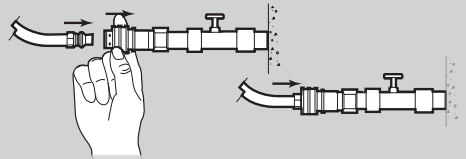
- A) Reinstall LP cylinder into cabinet base.
- B) Screw regulator coupling onto cylinder valve; turn clockwise, or to the right.

⚠ WARNING: Do not use a wrench to tighten connection. Using a wrench could damage regulator coupling and could cause a leak.



NG UNITS:

- A) Make sure gas supply is turned off at source.
- B) Slide collar of quick-disconnect back and reconnect flexible gas supply hose.



EXPORT GRILLS

LPG UNITS:

⚠ WARNING: Make sure that the LPG cylinder or regulator valve is closed.

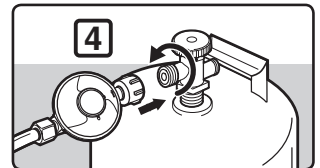
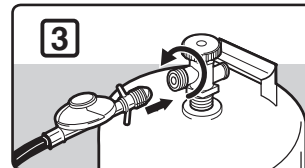
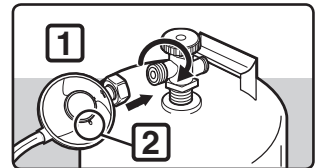
- A) Connect regulator to LPG cylinder.

Some regulators push ON to connect and pull OFF to disconnect; others have a nut with a left-hand thread that connects to the cylinder valve.

Identify your regulator type and follow one of the connection instructions specific to that regulator.

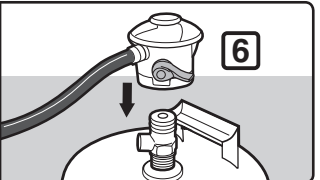
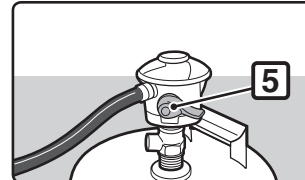
Connect by Turning Clockwise

Screw regulator onto cylinder by turning fitting clockwise (1). Position the regulator so that the vent hole (2) faces down.



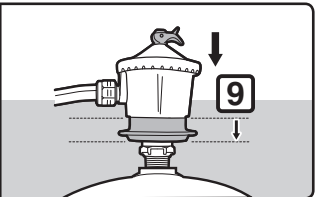
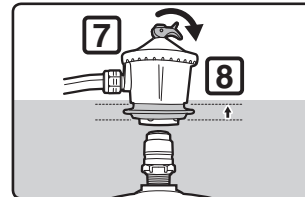
Connect by Turning Anti-Clockwise

Screw regulator onto cylinder by turning fitting anti-clockwise (3) (4).



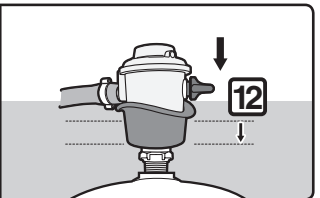
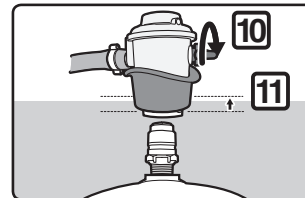
Connect by Pushing Lever/Snapping into Position

Turn regulator lever (5) to the down/off position. Push regulator down on cylinder valve until regulator snaps into position (6).



Connect by Sliding Collar

Make sure regulator lever is in the off position (7) (10). Slide the collar of the regulator up (8) (11). Push the regulator down onto the cylinder valve and maintain pressure. Slide collar down to close (9) (12). If regulator does not lock, repeat procedure.



NG UNITS:

- A) Make sure gas supply is turned off at source.

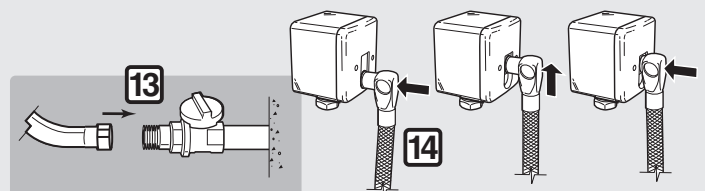
Manual Shut-Off Valve

- B) Connect flexible gas supply hose to manual shut-off valve (13). Refer to instructions included with your flexible gas supply hose.

— OR —

Gas Outlet Valve

- B) Connect flexible gas supply hose to gas outlet valve (14). Insert plug into circular receptacle on cover plate, slide plug upward, and push plug in to engage. Refer to instructions included with your flexible gas supply hose.



See Owner's Guide for complete gas connection and removal instructions.

⚠ ATTENTION: This product has been safety-tested and is only certified for use in a specific country. Refer to country designation located on outside of box.

These parts may be gas-carrying or gas-burning components. Please contact Weber-Stephen Products LLC Customer Service Department for genuine Weber-Stephen Products LLC replacement part(s) information.

⚠ WARNING: Do not attempt to make any repair to gas-carrying or gas-burning components without contacting Weber-Stephen Products LLC Customer Service Department. Your actions, if you fail to follow this product warning, may cause a fire or an explosion resulting in serious personal injury or death and damage to property.



This symbol indicates that the product cannot be disposed of with household refuse. For instructions regarding proper disposal of this product in Europe, please visit www.weber.com, and contact the importer listed for your country. If you do not have internet access, contact your dealer for the importer's name, address and telephone number.

When you decide to dispose of or discard your barbecue, all electrical components (e.g., rotisserie motor, batteries, ignition module, handle lights) must be removed and disposed of properly according to WEEE. They should be disposed of separately from the barbecue.

WEBER-STEPHEN ÖSTERREICH GMBH

Maria-Theresia-Straße 51
4600 Wels
AUSTRIA
TEL: +43 7242 890 135 0; info-at@weberstephen.com

WEBER-STEPHEN PRODUCTS BELGIUM Sprl

Blarenberglaan 6 Bus 4
Industriezone Noord
BE-2800 Mechelen
BELGIUM
TEL: +32 015 28 30 90; infobelux@weberstephen.com

WEBER-STEPHEN CZ & SK spol. s r.o.

U Hajovny 246
25243 Průhonice
CZECH REPUBLIC
TEL: +42 267 312 973; info-cz@weberstephen.com

WEBER-STEPHEN NORDIC ApS

Bogildsmindevej 23, DK-9400 Nørresundby
DANMARK
TEL: +45 99 36 30 10; info@weberstephen.dk

WEBER-STEPHEN NORDIC MIDDLE EAST

Ras Al Khaimah FTZ
P.O. Box 10559
UNITED ARAB EMIRATES
TEL: +971 4 360 9256; info@weberstephen.ae

WEBER-STEPHEN FRANCE SAS

Eragny sur Oise – BP 80322
95617 Cergy Pontoise Cedex
FRANCE
TÉL: +33 810 19 32 37
service.consommateurs@weberstephen.com

WEBER-STEPHEN DEUTSCHLAND GmbH

Rheinstraße 194
55218 Ingelheim
DEUTSCHLAND
TEL: +49 6132 8999 0; info-de@weberstephen.com

WEBER-STEPHEN NETHERLANDS B.V.

Tsjükemarwei 12
8521 NA Sint Nicolaasga
Postbus 18
8520 AA Sint Nicolaasga
NETHERLANDS
TEL: +31 513 4333 22; info@weberbarbecues.nl

JARN & GLER WHOLESale EHF

Skutuvogur 1H
1-104 Reykjavik
ICELAND
TEL: +354 58 58 900

D&S IMPORTS

14 Shenkar Street
Petach, Tikva 49001
ISRAEL
TEL: +972 392 41119; info@weber.co.il

WEBER-STEPHEN PRODUCTS ITALIA Srl

Centro Polifunzionale "Il Pioppo"
Viale della Repubblica 46
36030 Povolara di Dueville – Vicenza
ITALY
TEL: +39 0444 360 590; info-italia@weberstephen.com

WEBER-STEPHEN POLSKA Sp. z o.o.

Ul. Trakt Lubelski 153
04-766 Warszawa
POLSKA
TEL: +48 22 392 04 69; info-pl@weberstephen.com

GALACTEX OUTDOOR (PTY) LTD.

141-142 Hertz Draai
Meadowdale, Edenvale
Gauteng
SOUTH AFRICA
TEL: +27 11 454 2369; info@weber.co.za

WEBER-STEPHEN IBERICA Srl

Avda. de les Corts Catalanes 9-11 -
Despacho 10 B
E-08173 Sant Cugat del Vallès
Barcelona
SPAIN
TEL: +34 93 584 40 55; infoiberica@weberstephen.com

WEBER-STEPHEN SCHWEIZ GMBH

Talackerstr. 89a
8404 Winterthur
SWITZERLAND
TEL: +41 52 24402 50; info-ch@weberstephen.com

WEBER-STEPHEN PRODUCTS (U.K.) LIMITED

The Four Columns,
Broughton Hall Business Park
Skipton, North Yorkshire BD23 3AE
UNITED KINGDOM
TEL: +44 01756 692611;
customerservicenw@weberstephen.com

WEBER-STEPHEN PRODUCTS LLC

200 East Daniels Road
Palatine, IL 60067-6266
USA
TEL: 847 934 5700; support@weberstephen.com

OOO WEBER-STEPHEN Vostok

142784 Moscow Region,
Leninskiy District
Rumyantsevo Village
Building 1
RUSSIA
TEL: +7 495 973 16 49; info.ru@weberstephen.com

WEBER-STEPHEN MAGYARORSZÁG KFT.

1138 Budapest, Váci út 186.
HUNGARY
TEL: +36 70 / 70-89-813; info-hu@weberstephen.com

For Republic of Ireland, please contact:
Weber-Stephen Products (U.K.) Limited.

For other eastern European countries,
such as ROMANIA, SLOVENIA, CROATIA,
TURKEY, or GREECE, please contact:
Weber-Stephen Deutschland GmbH,
info-EE@weberstephen.com.

For Baltic states, please contact:
Weber-Stephen Nordic ApS.



WEBER-STEPHEN PRODUCTS LLC
www.weber.com

© 2012 Designed and engineered by Weber-Stephen Products LLC,
a Delaware limited liability company, located at 200 East Daniels Road, Palatine, Illinois 60067 U.S.A.

WEBER-STEPHEN PRODUCTS LLC
Customer Service Center: 90 West Hillcrest Boulevard, Schaumburg, IL 60195

1-800-446-1071 (USA ONLY) www.weber.com