



US

CHARCOAL GRILL OWNER'S GUIDE

Do not discard. This owner's guide contains important product dangers, warnings, and cautions. For assembly instructions, refer to assembly guide.

Visit www.weber.com, select your country of origin, and register your grill today.

ES

ASADOR DE CARBÓN GUÍA DEL PROPIETARIO

No descartar. Esta guía del propietario contiene peligros, advertencias y precauciones importantes del producto. Para conocer las instrucciones de armado, consulte la guía de armado.

Visite www.weber.com, seleccione su país de origen y registre su barbacoa hoy.

FC

GRIL À CHARBON DE BOIS MODE D'EMPLOI

Ne pas jeter. Ce mode d'emploi contient des points importants relatifs au produit comme l'énoncé de dangers, des avertissements et des mises en garde. Pour consulter les instructions d'assemblage, reportez-vous au guide d'assemblage.

Connectez-vous sur www.weber.com, sélectionnez votre pays d'origine, et enregistrez votre grill aujourd'hui.



57884

08/06/23



Failure to follow the **DANGERS**, **WARNINGS**, and **CAUTIONS** contained in this Owner's Guide may result in serious bodily injury or death, or may result in a fire or an explosion causing damage to property.

Please read all safety information contained in this Owner's Guide before operating this grill.

DANGERS

- ⚠ Do not use indoors! This grill is designed for outdoor use in a well-ventilated area and is not intended for and should never be used as a heater. If used indoors, toxic fumes will accumulate and cause serious bodily injury or death.
- ⚠ Do not use in a garage, building, breezeway, or any other enclosed area.
- ⚠ Do not use gasoline, alcohol, or other highly volatile fluids to ignite charcoal. If using charcoal starter fluid (not recommended), remove any fluid that may have drained through the bowl vents before lighting the charcoal.
- ⚠ Do not add charcoal starter fluid or charcoal impregnated with charcoal lighter fluid to hot or warm charcoal. Cap starter fluid after use, and place a safe distance away from the grill.
- ⚠ Keep the cooking area clear of flammable vapor and liquids, such as gasoline, alcohol, etc., and combustible material.

WARNINGS

- ⚠ Do not use this grill unless all parts are in place. This grill must be properly assembled according to the assembly instructions. Improper assembly may be dangerous.
- ⚠ Never use grill without the ash catcher installed.
- ⚠ Do not use this grill under any overhead combustible construction.
- ⚠ The use of alcohol, prescription, or non-prescription drugs may impair the consumer's ability to properly assemble or safely operate the grill.
- ⚠ Exercise caution when operating your grill. It will be hot during cooking or cleaning, and should never be left unattended.
- ⚠ This grill will become very hot, do not move it during operation.
- ⚠ Keep children and pets away.
- ⚠ This WEBER grill is not intended to be installed in or on recreational vehicles and/or boats.
- ⚠ Do not use this grill within two feet (60cm) of any combustible material. Combustible materials include, but are not limited to, wood or treated wood decks, patios, and porches.
- ⚠ Keep the grill on a secure, level surface at all times, clear of combustible material.
- ⚠ Do not place grill on glass or a combustible surface.
- ⚠ Do not use grill in high winds.
- ⚠ Do not wear clothing with loose flowing sleeves while lighting or using the grill.
- ⚠ Never touch the cooking or charcoal grate, ashes, charcoal, or the grill to see if they are hot.
- ⚠ Extinguish charcoal when finished cooking. To extinguish, close bowl vent and lid damper and place lid on bowl.
- ⚠ Use heat-resistant barbecue mitts or gloves while cooking, adjusting air vents (dampers),

adding charcoal, and handling thermometer or lid.

- ⚠ Use proper tools, with long, heat-resistant handles.
- ⚠ Always put charcoal on top of the charcoal (lower) grate. Do not put charcoal directly in the bottom of the bowl.
- ⚠ Do not lean on or overload the end of the table.
- ⚠ Do not use the TUCK-AWAY lid holder as a handle to lift or move the grill.
- ⚠ Do not hang the lid on the bowl handle.
- ⚠ Never dump hot charcoal where it might be stepped on or be a fire hazard. Never dump ashes or charcoal before they are fully extinguished.
- ⚠ Do not store grill until ashes and charcoal are fully extinguished.
- ⚠ Do not remove ashes until all charcoal is completely burned out and fully extinguished and grill is cool.
- ⚠ Keep electrical wires and cords away from the hot surfaces of the grill and away from high traffic areas.
- ⚠ Do not hang the lid on the bowl handle.
- ⚠ Do not use the TUCK-AWAY lid holder as a handle to lift or move the grill.
- ⚠ **WARNING!** Do not use the grill in a confined and/or habitable space e.g. houses, tents, caravans, motor homes, boats. Danger of carbon monoxide poisoning fatality.

CAUTIONS

- ⚠ Do not use water to control flare-ups or to extinguish charcoal.
- ⚠ Lining the bowl with aluminum foil will obstruct the air flow. Instead, use a drip pan to catch drippings from meat when cooking using the indirect method.
- ⚠ Grill brushes should be checked for loose bristles and excessive wear on a regular basis. Replace brush if any loose bristles are found on cooking grate or brush. WEBER recommends purchasing a new stainless steel bristle grill brush at the beginning of every spring.

CALIFORNIA PROPOSITION 65

- ⚠ **WARNING:** Combustion byproducts produced when using this product contain chemicals known to the state of California to cause cancer, birth defects, or other reproductive harm.
- ⚠ **WARNING:** This product can expose you to chemicals including nickel, which is known to the state of California to cause cancer. For more information go to www.P65Warnings.ca.gov.



Limited Warranty

Thank you for purchasing a WEBER product. Weber-Stephen Products LLC, 1415 S. Roselle Road, Palatine, Illinois 60067 ("WEBER") prides itself on delivering a safe, durable, and reliable product.

This is WEBER's Limited Warranty ("Warranty") provided to you at no extra charge. It contains the information you will need to have your WEBER product repaired in the unlikely event of a failure or defect.

Pursuant to applicable laws, the customer has several rights in case the product is defective. Those rights include supplementary performance or replacement, abatement of the purchasing price, and compensation. These and other statutory rights remain unaffected by this warranty provision. In fact, this warranty grants additional rights to the Owner that are independent from statutory warranty provisions.

WEBER'S LIMITED WARRANTY

WEBER warrants, to the purchaser of the WEBER product (or in the case of a gift or promotional situation, the person for whom it was purchased as a gift or promotional item) ("Owner"), that the WEBER product is free from defects in material and workmanship for the period(s) of time specified below when assembled and operated in accordance with the accompanying Owner's Manual, normal wear and tear excluded. (Note: If you lose or misplace your WEBER Owner's Manual, a replacement is available online at www.weber.com.) WEBER agrees within the framework of this warranty to repair or replace the part that is defective in material or workmanship subject to the limitations, and exclusions listed below. TO THE EXTENT ALLOWABLE BY APPLICABLE LAW, THIS WARRANTY IS EXTENDED ONLY TO THE ORIGINAL PURCHASER AND IS NOT TRANSFERABLE TO SUBSEQUENT OWNERS, EXCEPT IN THE CASE OF GIFTS AND PROMOTIONAL ITEMS AS NOTED ABOVE.

WEBER stands by its products and is happy to provide you with the Warranty described for material defects in the grill or its relevant components, normal wear and tear excepted.

• Normal wear and tear includes cosmetic and other immaterial deterioration that may come with ownership of your grill over time, such as surface rust, dents / scratches, etc.

However, WEBER will honor this Warranty for the grill or its relevant components where damage or dysfunction results from a material defect.

• Material defect includes rust through or burn through of certain parts, or other damage or failure inhibiting your ability to safely / properly use your grill.

OWNER'S RESPONSIBILITIES UNDER THIS WARRANTY

To ensure trouble-free warranty coverage, it is important (but it is not required) that you register your WEBER product online at www.weber.com. Please also retain your original sales receipt and/or invoice. Registering your WEBER product confirms your warranty coverage and provides a direct link between you and WEBER in case we need to contact you. If you have not had time to register your grill before calling for Warranty service, please have the following information available when you do call:

Name – Address – Phone Number – Email – Serial Number – Purchase Date – Purchase Dealer – Model – Color – Primary Issue
The above warranty only applies if the Owner takes reasonable care of the WEBER product by following all assembly instructions, usage instructions, and preventative maintenance as outlined in the accompanying Owner's Manual, unless the Owner can prove that the defect or failure is independent of non-compliance with the above mentioned obligations. If you live in a coastal area, or have your product located near a pool, maintenance includes regular washing and rinsing of the exterior surfaces as outlined in the accompanying Owner's Manual.

WARRANTY HANDLING / EXCLUSION OF WARRANTY

If you believe that you have a part which is covered by this Warranty, please contact WEBER Customer Service using the contact information on our website (www.weber.com), or such country-specific website to which Owner may be redirected). WEBER will, upon investigation, repair or replace (at its option) a defective part that is covered by this Warranty. In the event that repair or replacement are not possible, WEBER may choose (at its option) to replace the grill in question with a new grill of equal or greater value. WEBER may ask you to return parts for inspection, shipping charges to be pre-paid by owner.

When you contact Customer Service, please have the following information available:

Name – Address – Phone Number – Email – Serial Number – Purchase Date – Purchase Dealer – Model – Color – Primary Issue

This WARRANTY lapses if there are damages, deteriorations, discolorations, and/or rust for which WEBER is not responsible caused by:

• Abuse, misuse, alteration, modification, misapplication, vandalism, neglect, improper assembly or installation, and failure to properly perform normal and routine maintenance;

- Insects (such as spiders) and rodents (such as squirrels), including but not limited to damage to burner tubes and/or gas hoses;
- Exposure to salt air and/or chlorine sources such as swimming pools and hot tubs/spas;
- Severe weather conditions such as hail, hurricanes, earthquakes, tsunamis or surges, tornadoes or severe storms.
- Acid rain and other environmental factors.

Using third party parts will not void this Warranty. However, any parts that are used and/or installed on your WEBER product that are not genuine WEBER parts are not covered by this Warranty. In addition, any damages that result from the use and/or installation of parts on your WEBER product that are not genuine WEBER parts are not covered by this Warranty. Any conversion of a gas grill not authorized by WEBER and performed by a WEBER authorized service technician will void this Warranty.

PRODUCT WARRANTY PERIODS

Bowl, lid, and center ring:
10 years, rust through/burn through

ONE-TOUCH cleaning system:
5 years, rust through/burn through

Plastic components:
5 years, excluding fading or discoloration

All remaining parts:
2 years

DISCLAIMERS

APART FROM THE WARRANTY AND DISCLAIMERS AS DESCRIBED IN THIS WARRANTY STATEMENT, THERE ARE EXPLICITLY NO FURTHER WARRANTY OR VOLUNTARY DECLARATIONS OF LIABILITY GIVEN HERE WHICH GO BEYOND THE STATUTORY LIABILITY APPLYING TO WEBER. THE PRESENT WARRANTY STATEMENT ALSO DOES NOT LIMIT OR EXCLUDE SITUATIONS OR CLAIMS WHERE WEBER HAS MANDATORY LIABILITY AS PRESCRIBED BY STATUTE.

NO WARRANTIES SHALL APPLY AFTER THE APPLICABLE PERIODS OF THIS WARRANTY. NO OTHER WARRANTIES GIVEN BY ANY PERSON, INCLUDING A DEALER OR RETAILER, WITH RESPECT TO ANY PRODUCT (SUCH AS ANY "EXTENDED WARRANTIES"), SHALL BIND WEBER. THE EXCLUSIVE REMEDY OF THIS WARRANTY IS REPAIR OR REPLACEMENT OF THE PART OR PRODUCT.

IN NO EVENT UNDER THIS WARRANTY SHALL RECOVERY OF ANY KIND BE GREATER THAN THE AMOUNT OF THE PURCHASE PRICE OF THE WEBER PRODUCT SOLD.

YOU ASSUME THE RISK AND LIABILITY FOR LOSS, DAMAGE, OR INJURY TO YOU AND YOUR PROPERTY AND/OR TO OTHERS AND THEIR PROPERTY ARISING OUT OF THE MISUSE OR ABUSE OF THE PRODUCT OR FAILURE TO FOLLOW INSTRUCTIONS PROVIDED BY WEBER IN THE ACCOMPANYING OWNER'S MANUAL.

PARTS AND ACCESSORIES REPLACED UNDER THIS WARRANTY ARE WARRANTED ONLY FOR THE BALANCE OF THE ABOVE MENTIONED ORIGINAL WARRANTY PERIOD(S).

THIS WARRANTY APPLIES TO PRIVATE SINGLE FAMILY HOME OR APARTMENT USE ONLY AND DOES NOT APPLY TO WEBER GRILLS USED IN COMMERCIAL, COMMUNAL OR MULTI-UNIT SETTINGS SUCH AS RESTAURANTS, HOTELS, RESORTS, OR RENTAL PROPERTIES.

WEBER MAY FROM TIME TO TIME CHANGE THE DESIGN OF ITS PRODUCTS. NOTHING CONTAINED IN THIS WARRANTY SHALL BE CONSTRUED AS OBLIGATING WEBER TO INCORPORATE SUCH DESIGN CHANGES INTO PREVIOUSLY MANUFACTURED PRODUCTS, NOR SHALL SUCH CHANGES BE CONSTRUED AS AN ADMISSION THAT PREVIOUS DESIGNS WERE DEFECTIVE.

**Weber-Stephen Products LLC
Customer Service Center
1415 S. Roselle Road
Palatine, IL 60067
U.S.A.**

**For replacement parts, call:
1-800-446-1071**

Table of Contents

ES 12 FC 22

SAFETY	2
WARRANTY	3
COOKING SYSTEM	4
CHARCOAL GRILL SPECIAL FEATURES	5
BEFORE LIGHTING	6
LIGHTING CHARCOAL	7
GRILLING METHODS	8
TIPS AND TRICKS FOR GRILLING SUCCESS	10
GRILLING GUIDE	11

Replacement Parts

If you need replacement parts or have questions about the assembly, use, or maintenance of your grill, please call WEBER Customer Service.

For purchases made in the U.S. and Canada
1-800-446-1071

For purchases made in Mexico
01800-00-WEBER [93237] Ext. 105



COOKING SYSTEM

Extensive thought was put into how your WEBER charcoal grill was designed. We design our grills to perform so that you never have to worry about flare-ups, hot and cold spots, or burnt food. Expect excellent performance, control, and results every time.

A Bowl and Lid

Every WEBER charcoal grill is made with a baked-on porcelain-enamel coated steel bowl and lid. This is important because it means it will never peel or flake. The reflective surface provides convection cooking, so that the heat radiates around the food much like an indoor oven providing you with even cooking results.

B Dampers and Vents

A big factor in charcoal grilling is air. The more air you allow into the grill, the hotter the fire will grow (to a point) and the more often you will need to replenish it. So to minimize replenishing, keep the lid closed as much as possible. The bowl vents on the bottom of the grill should be left open whenever you are grilling, but to slow the rate of your fires burn, close the lid damper as much as halfway.

C Cooking Grate

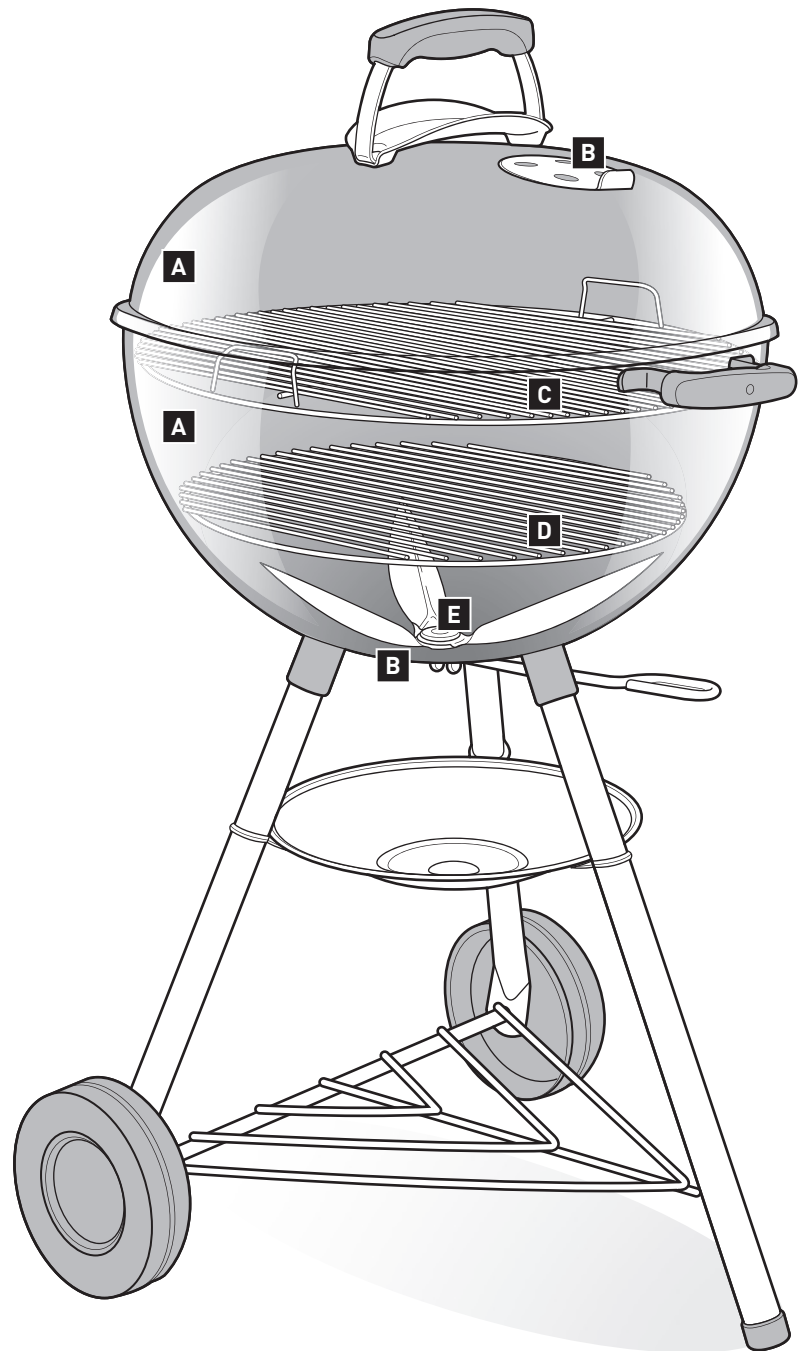
Made of heavy-duty plated steel, the cooking grate provides ample area to make all of your favorite meals.

D Charcoal Grate

The charcoal grate has what it takes to withstand the heat of any charcoal fire. Made of heavy-duty steel, this durable grate will not warp or burn through. Additionally, it gives you enough space for direct or indirect cooking, providing you with the flexibility to cook the way you want.

E ONE-TOUCH Cleaning System

The ONE-TOUCH cleaning system makes cleanup hassle free. As you move the handle back and forth, the three blades in the bowl move ash from the bottom of the grill into the ash catcher. These same vents act as a bowl damper, to help bring oxygen up to the fire or to allow you to easily extinguish the fire.

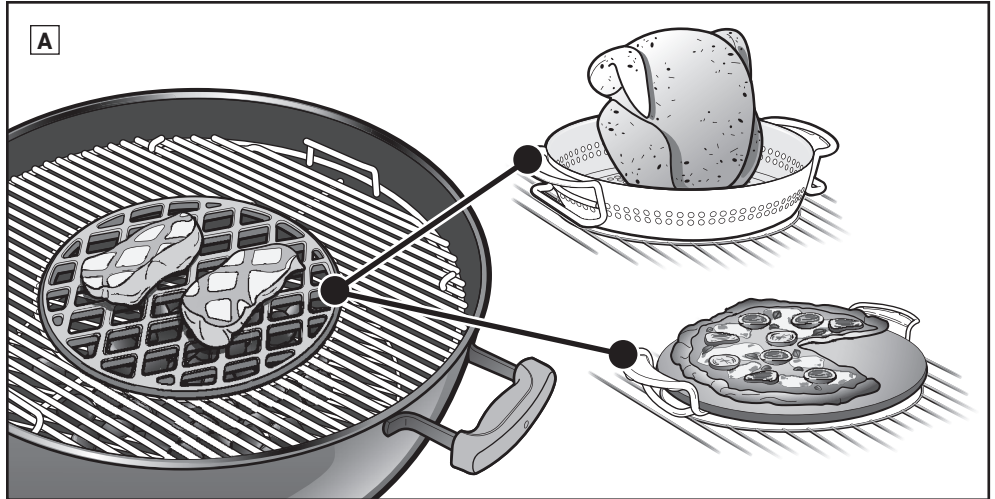




Depending on the model you purchased, your grill may or may not be equipped with the features described on this page.

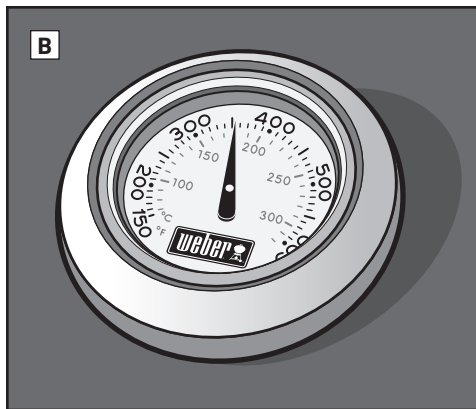
A GOURMET BBQ SYSTEM

Your cooking grate may be equipped with a special center area that is removable. This feature is designed to allow you to easily add special WEBER GOURMET BBQ SYSTEM cooking components such as a pizza stone, wok, griddle, sear grate, poultry roaster, ebelskiver, or Korean bbq insert (sold separately). Each option provides you with limitless opportunities to try new recipes.



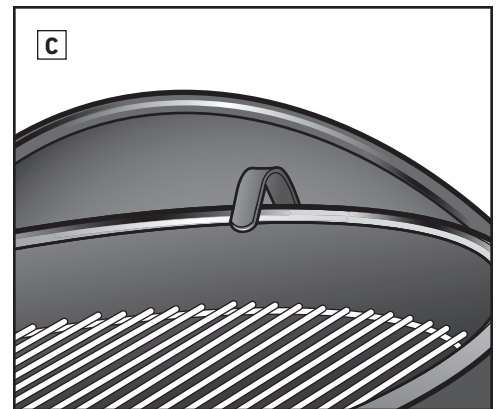
B Built-In Thermometer

A durable, built-in lid thermometer allows you to easily monitor your grill's temperature.



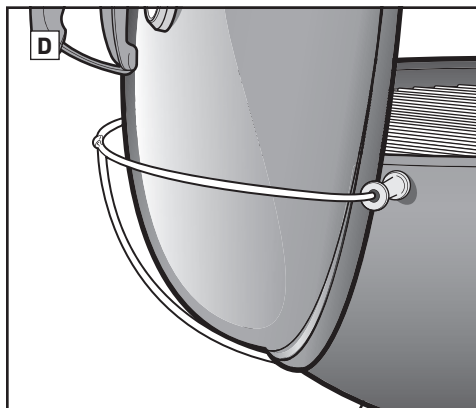
C Lid Hook

Inside the grill lid is an angled lid hook. Simply slide the lid to the side and hang the lid on the bowl.



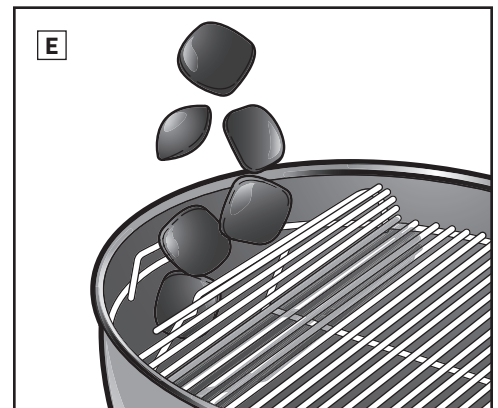
D TUCK-AWAY Lid Holder

The TUCK-AWAY lid holder allows you to easily move your lid to the side to check your meal or to add charcoal.



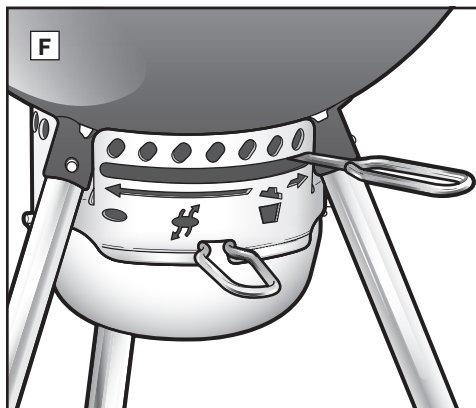
E Hinged Cooking Grate

The hinged grate has an area on both sides that lift up to allow you to easily add fuel.



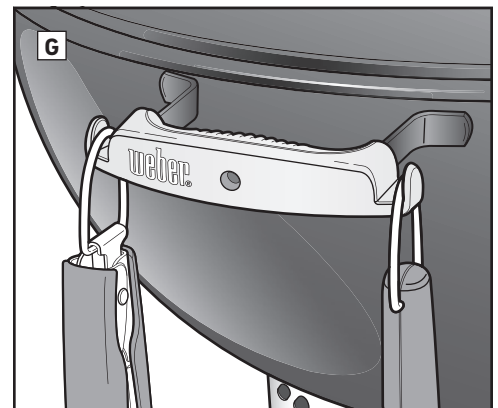
F High Capacity Ash Catcher

The fully enclosed high capacity ash catcher keeps ashes from blowing around and easily detaches for quick and clean ash removal.



G Tool Hook Handle

The handle has hooks built right in so you have a convenient place to hang your tools.





BEFORE LIGHTING

Choose a Proper Location to Grill

- Only use this grill outdoors in a well-ventilated area. Do not use in a garage, building, breezeway, or any other enclosed area.
- Keep the grill on a secure, level surface at all times.
- Do not use grill within five feet of any combustible material. Combustible materials include, but are not limited to, wood or treated wood decks, patios, and porches.

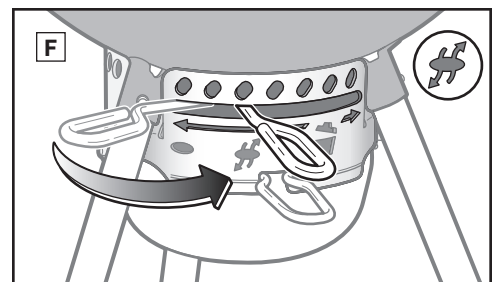
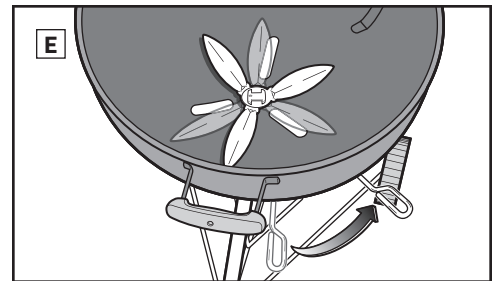
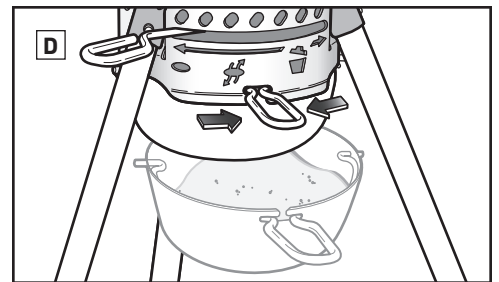
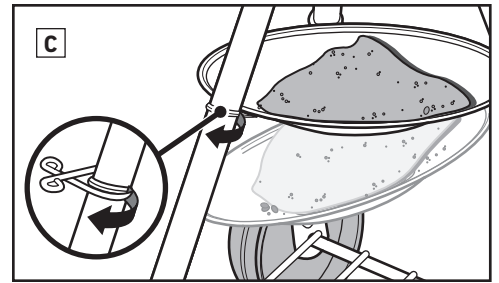
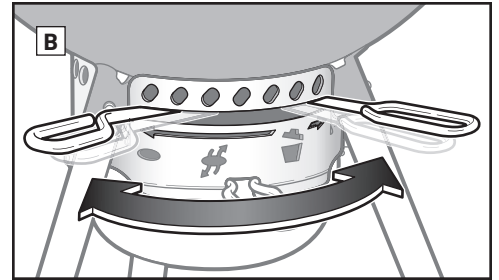
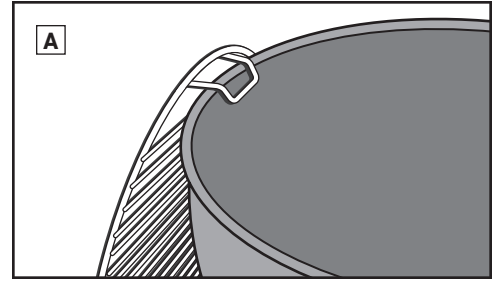
Choose How Much Charcoal to Use

Choosing charcoal quantity depends on what you are grilling and the size of your grill. If you are grilling small, tender pieces of food that take less than 20 minutes, refer to the *Charcoal Quantity for Direct Heat* chart. If you are grilling larger cuts of meat that require 20 minutes or more of grilling time, or delicate foods, refer to the *Charcoal Quantity for Indirect Heat* chart. For more details about the difference between direct and indirect cooking, refer to the *GRILLING METHODS* section. Charcoal typically lasts for about an hour before it is completely burnt through and ready to be replaced.

Preparing the Grill for Lighting

1. Remove the lid and position it on the side of your grill using either the lid hook located on the inside of the lid, or the TUCK-AWAY lid holder (depending on your model of grill).
2. Remove the cooking (top) grate from your grill. For convenience, hang the cooking grate on the bowl, rear panel or frame of your grill by its curved handle (a feature on some of our grills) (A). If your grill comes with the GOURMET BBQ SYSTEM cooking grate, first remove the detachable center area, and then the full cooking grate from the grill.
3. Remove the charcoal (bottom) grate and clear ashes or chunks of old charcoal from the bottom of the bowl. Charcoal requires oxygen to burn, so be sure that nothing clogs the vents. For grills with a ONE-TOUCH cleaning system, move the handle back and forth to move ash from the bottom of the grill into the ash catcher (B).
4. If your grill has a standard ash catcher, release the leg clip to remove the ash catcher (C) then dispose of the ashes. If your grill has a high capacity ash catcher, squeeze the ash catcher handle to release it from the grill (D).
5. Open bowl vent by moving the handle all the way to the right (E) or by moving the handle to the open position (F) (depending on your model of grill).
6. Replace charcoal (bottom) grate.

Note: Instructions for using lighter fluid were purposely left out of this owner's guide. Lighter fluid is messy and can transmit a chemical taste to your food, while lighter cubes (sold separately) do not. If you choose to use lighter fluid, follow the manufacturer's instructions and NEVER add lighter fluid to a burning fire.



Charcoal Quantity for Direct Heat

Hamburgers, steaks, chops, kabobs, boneless chicken pieces, fish fillets, shellfish, sliced vegetables

Grill Diameter	WEBER Briquettes Needed	Charcoal Briquettes Needed
18" (47 cm)	30	40
22" (57 cm)	40	50
26" (67 cm)	65	80
37" (95 cm)	115	150

Charcoal Quantity for Indirect Heat

Roasts, bone-in poultry pieces, whole fish, delicate fish fillets, whole chickens or turkeys, ribs

Grill Diameter	WEBER Briquettes Needed for First Hour	WEBER Briquettes Added for Each Additional Hour	Charcoal Briquettes Needed for First Hour	Charcoal Briquettes Added for Each Additional Hour
18" (47 cm)	10 per side	5 per side	20 per side	7 per side
22" (57 cm)	15 per side	7 per side	25 per side	8 per side
26" (67 cm)	25 per side	8 per side	40 per side	9 per side
37" (95 cm)	45 per side	18 per side	75 per side	22 per side



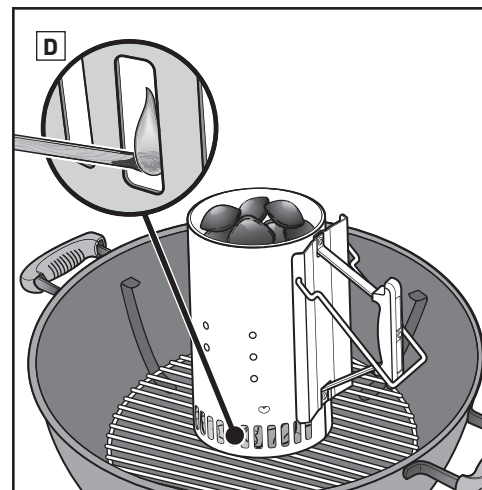
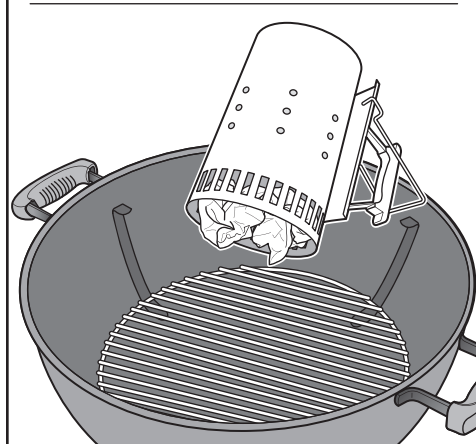
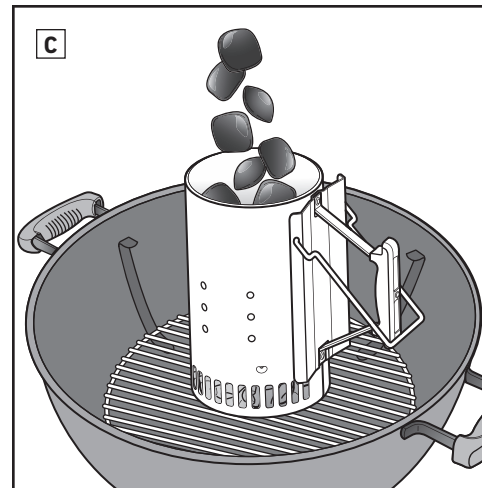
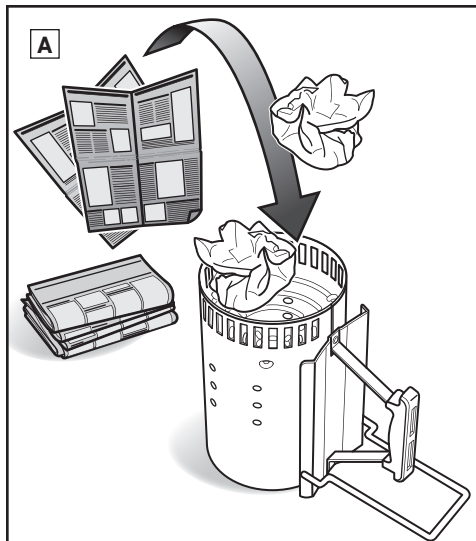
Lighting the Charcoal Using a Chimney Starter

The simplest, most thorough way to light any kind of charcoal is to use a chimney starter; particularly, the WEBER RAPIDFIRE chimney starter (sold separately). Refer to the cautions and warnings included with the RAPIDFIRE chimney starter before lighting.

1. Put a few sheets of wadded up newspaper in the bottom of the chimney starter and set the chimney starter on the charcoal grate (A); or put a few lighter cubes in the center of the charcoal grate and place the chimney starter over them (B).
2. Fill the chimney starter with charcoal (C).
3. Light the lighter cubes or newspaper through the holes on the side of the chimney starter (D).
4. Keep the chimney starter in place until the charcoal is fully lit. You can tell when the charcoal is fully lit when it is covered with a coating of white ash. This can take anywhere from 15 to 20 minutes.

Note: The lighter cubes used must be completely consumed and the coals ashed over before placing food on the grate.

5. Once the charcoal is fully lit, continue to the following pages for instructions on how to arrange your charcoal and begin cooking according to your desired cooking method (Direct or Indirect method).

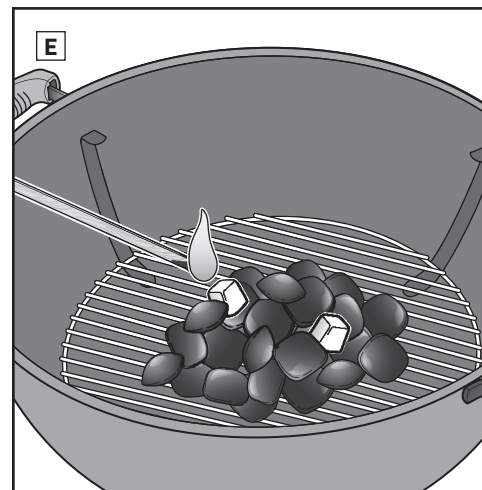
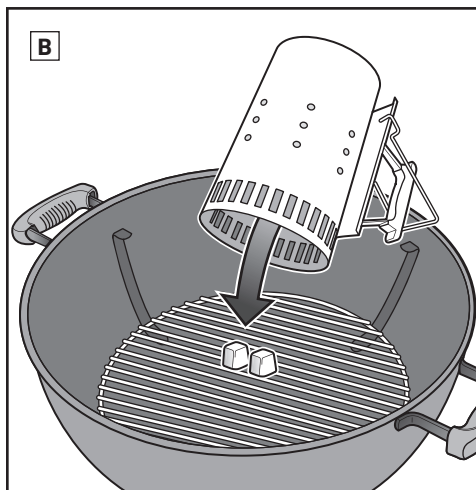


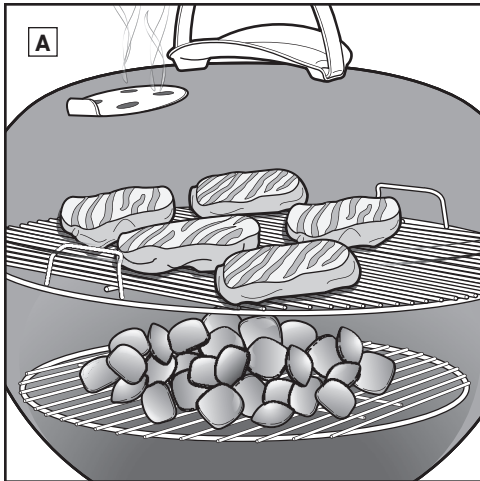
Lighting the Charcoal Using Lighter Cubes

1. Build a pyramid of charcoal in the center of the charcoal (bottom) grate and insert a couple of lighter cubes (sold separately) within the pyramid (E).
2. Using a long match or lighter, light the lighter cubes. The lighter cubes will then ignite the charcoal.
3. Wait for the charcoal to fully light. You can tell when the charcoal is fully lit when it is covered with a coating of white ash. This can take anywhere from 15 to 30 minutes.

Note: The lighter cubes used must be completely consumed and the coals ashed over before placing food on the grate.

4. Once the charcoal is fully lit, continue to the following pages for instructions on how to arrange your charcoal and begin cooking according to your desired cooking method (Direct or Indirect method).





Grilling With Direct Heat

Use the direct method for small, tender pieces of food that take less than 20 minutes to cook, such as:

- Hamburgers
- Steaks
- Chops
- Kabobs
- Boneless chicken pieces
- Fish fillets
- Shellfish
- Sliced vegetables

With direct heat, the fire is right below the food (A). It sears the surfaces of the food, developing flavors, texture, and delicious caramelization while it also cooks the food all the way to the center.

A direct fire creates both radiant and conductive heat. Radiant heat from the charcoal quickly cooks the surface of the food closest to it. At the same time, the fire heats the cooking grate rods, which conducts heat directly to the surface of the food and creates those unmistakable and lovely grill marks.

Arranging the Charcoal for Direct Heat

1. Put on barbecue mitts or gloves.

CAUTION: The grill, including the handle and damper/vent handles, will become hot. Make sure that you are wearing barbecue mitts or gloves to avoid burning your hands.

2. After the charcoal is fully lit, spread them evenly across the charcoal grate with long handle tongs (B) or using a WEBER charcoal rake (sold separately).

3. Make sure the ONE-TOUCH cleaning system handle and lid damper are in the fully open position (C, D).

4. Once the charcoal has ashed over, replace the cooking grate inside the bowl.

5. Slide the lid closed on the grill.

6. Preheat the cooking grate for approximately 10 to 15 minutes.

7. Once the cooking grate is preheated, slide the lid open. Using a grill brush, scrub the cooking grate clean (E).

Note: When using a stainless steel bristle grill brush, replace the brush if any loose bristles are found on the cooking grate or brush.

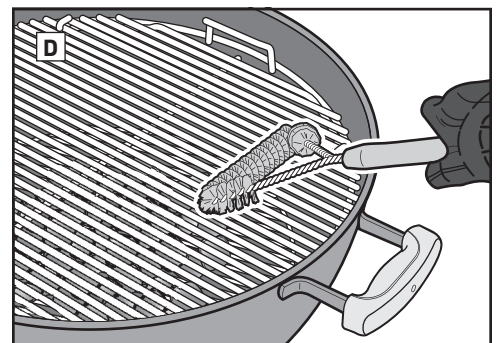
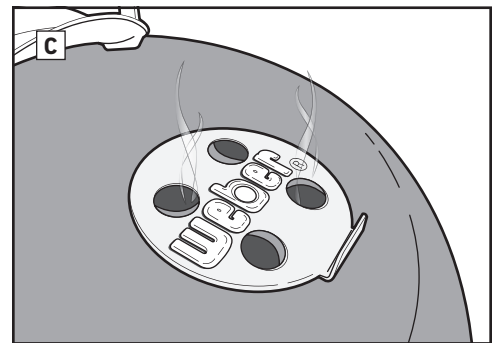
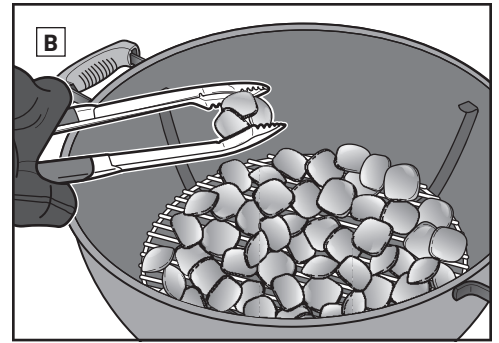
8. Place your food on the cooking grate.

Note: When removing the grill lid during cooking, slide it to the side, rather than straight up. Lifting straight up may create suction, drawing ashes up onto your food.

9. Slide the lid closed and consult recipe for recommended cooking times.

When finished cooking...

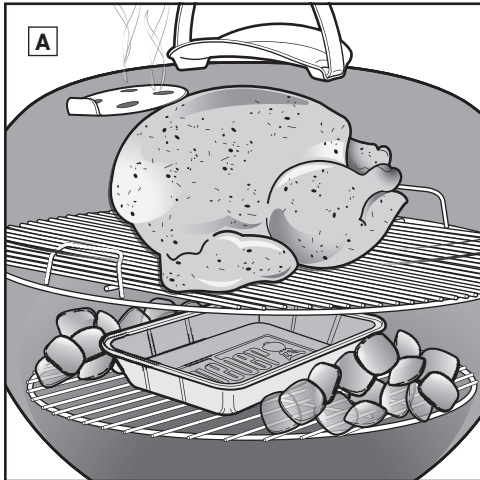
Close the lid damper and bowl vents to extinguish the charcoal (F).



Charcoal Quantity for Direct Heat

Hamburgers, steaks, chops, kabobs, boneless chicken pieces, fish fillets, shellfish, sliced vegetables

Grill Diameter	WEBER Briquettes Needed	Charcoal Briquettes Needed
18" (47 cm)	30	40
22" (57 cm)	40	50
26" (67 cm)	65	80
37" (95 cm)	115	150



Grilling With Indirect Heat

Use the indirect method for larger cuts of meat that require 20 minutes or more of grilling time, or for foods so delicate that direct exposure to the heat would dry them out or scorch them, such as:

- Roasts
- Bone-in poultry pieces
- Whole fish
- Delicate fish fillets
- Whole chickens
- Turkeys
- Ribs

Indirect heat can also be used for finishing thicker foods or bone-in cuts that have been seared or browned first over direct heat. With indirect heat, the heat is on one or both sides of the grill. The food sits on the portion of the cooking grate without charcoal directly below it (A).

The radiant and conductive heat are still factors, but they are not as intense while indirect cooking. However, if the lid of the grill is closed, as it should be, there is another kind of heat generated: convection heat. Heat rises, reflects off the lid and inside surfaces of the grill, and circulates to slowly cook the food evenly on all sides.

Convection heat doesn't sear the surface of the food the way radiant and conductive heat do. It cooks it more gently all the way to the center, like the heat in an oven.

When using the indirect grilling method, you have the option to spread the coals directly on the charcoal (bottom) grate on opposite sides of the bowl, or make use of the WEBER CHAR-BASKETS (sold separately). Some grill models will not include CHAR-BASKETS.

Charcoal Quantity for Indirect Heat

Roasts, bone-in poultry pieces, whole fish, delicate fish fillets, whole chickens or turkeys, ribs

Grill Diameter	WEBER Briquettes Needed for First Hour	WEBER Briquettes Added for Each Additional Hour	Charcoal Briquettes Needed for First Hour	Charcoal Briquettes Added for Each Additional Hour
18" (47 cm)	10 per side	5 per side	20 per side	7 per side
22" (57 cm)	15 per side	7 per side	25 per side	8 per side
26" (67 cm)	25 per side	8 per side	40 per side	9 per side
37" (95 cm)	45 per side	18 per side	75 per side	22 per side

Arranging the Charcoal for Indirect Heat

1. Put on barbecue mitts or gloves.

CAUTION: The grill, including the handles, lid damper and bowl vents, will become hot. Make sure that you are wearing barbecue mitts or gloves to avoid burning your hands.

2. Once the charcoal is fully lit using your preferred indirect grilling method (refer to "Lighting Charcoal" section), using barbecue mitts or gloves and long handle tongs, be sure that the charcoal is properly positioned on opposite sides of the bowl. Avoid positioning the charcoal next to the bowl handles, or directly beneath the thermometer and lid damper (B). A drip pan may be placed between the charcoal to collect food drippings.

3. Make sure the ONE-TOUCH cleaning system handle and lid damper are in the fully open position (C), (D).

4. Once the charcoal has ashed over, replace the cooking grate inside the bowl. If your cooking grate has hinged sides, make sure that they are directly above the charcoal inside the bowl. This will make it easy to add more charcoal if needed.

5. Slide the lid closed on the grill.

6. Preheat the grate for approximately 10 to 15 minutes.

7. Once the cooking grate is preheated, slide the lid open. Using a grill brush, scrub the cooking grate clean (E).

Note: When using a stainless steel bristle grill brush, replace the brush if any loose bristles are found on the cooking grate or brush.

8. Place your food in the center of the cooking grate, above a drip pan if using one.

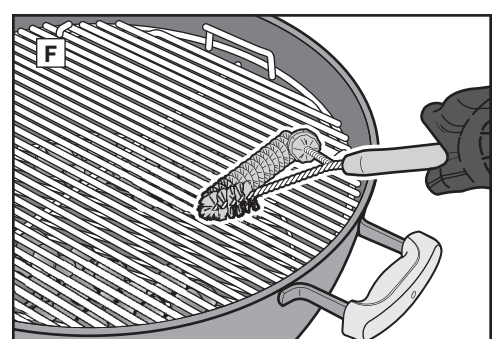
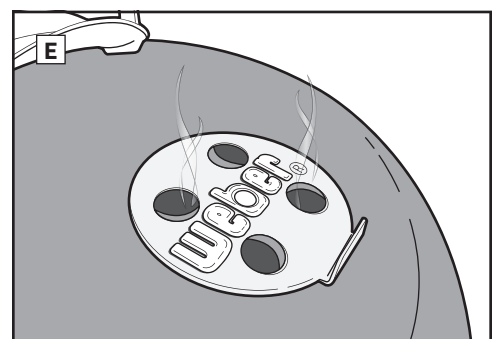
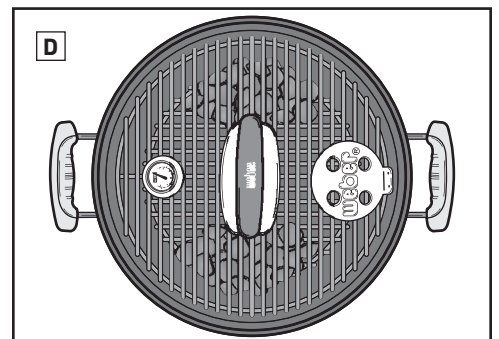
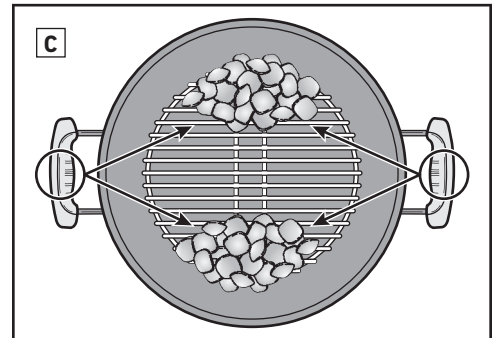
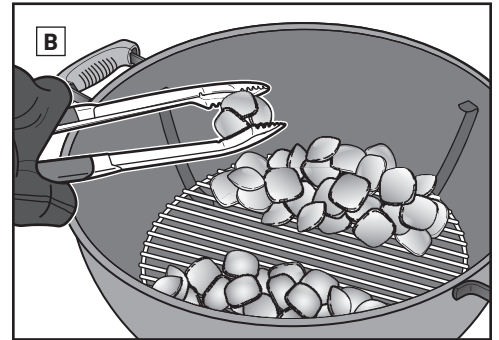
Note: When removing the grill lid during cooking, slide it to the side, rather than straight up. Lifting straight up may create suction, drawing ashes up onto your food.

9. Slide the lid closed. Always position the lid so that the thermometer is not above the charcoal where it will be exposed to direct heat. Consult recipe for recommended cooking times. Adjust the lid and bowl damper positions to lower the interior grill temperature if needed.

Note: Rotate the lid damper fully open to raise the temperature and close it more to lower the temperature.

When finished cooking...

Close the lid damper and bowl vents to extinguish the charcoal (F).





Wear Gloves

Always wear a barbecue mitt or mitts when using your charcoal grill. Vents, dampers, handles, and the bowl will all get hot during the grilling process, so be sure to keep your hands and forearms protected.

Skip the Lighter Fluid

Avoid using lighter fluid, as it can impart a chemical taste to your food. Chimney starters (sold separately) and lighter cubes (sold separately) are much cleaner and much more effective ways of lighting charcoal.

Preheat the Grill

Preheating your grill with the lid closed for 10 to 15 minutes prepares the cooking grate. With all of the charcoal glowing red, the temperature under the lid should reach 500°F. The heat loosens any bits and pieces of food hanging onto the grate, making it easy to brush them off with a stainless steel bristle grill brush. Preheating your grill gets the grate hot enough to sear properly and also helps prevent food from sticking to the grate.

Note: Use a stainless steel bristle grill brush. Replace brush if any loose bristles are found on cooking grate or brush.

Oil the Food, Not the Grate

Oil prevents food from sticking and also adds flavor and moisture. Lightly brushing or spraying the food with oil works better than brushing the grate.

Keep the Air Flowing

A charcoal fire needs air. The lid should be closed as much as possible, but keep the lid damper and bowl vent open. Remove the ashes on the bottom of the grill regularly to prevent them from blocking the vents.

Put a Lid on It

For four important reasons, the lid should be closed as much as possible.

1. Keeps the grate hot enough to sear the food.
2. Speeds up the cooking time and prevents the food from drying out.
3. Traps the smokiness that develops when fat and juices vaporize in the grill.
4. Prevents flare-ups by limiting oxygen.

Tame the Flame

Flare-ups happen, which is good because they sear the surface of what you are grilling; however, too many flare-ups can burn your food. Keep the lid on as much as possible. This limits the amount of oxygen inside the grill, which will help extinguish any flare-ups. If the flames are getting out of control, move the food over indirect heat temporarily, until they die down.

Watch the Time and Temperature

If you are grilling in a colder climate or in a higher altitude, the cooking times will be longer. If the wind is blowing hard, it will raise a charcoal grill's temperature, so always keep close to your grill and remember to keep the lid on as much as possible so that the heat does not escape.

Frozen or Fresh

Whether you are grilling frozen or fresh food, follow the safety guidelines on the package and always cook it to the recommended internal temperature. Frozen food will take longer to grill and may need more fuel to be added depending on the type of food.

Keeping it Clean

Follow a few basic maintenance instructions to keep your grill looking and grilling better for years to come!

- For proper air flow and better grilling, remove accumulated ashes and old charcoal from the bottom of the kettle and the ash catcher before use. Make sure that all of the charcoal is fully extinguished and the grill is cool before doing so.
- You may notice "paint-like" flakes on the inside of the lid. During use, grease and smoke vapors slowly oxidize into carbon and deposit on the inside of your lid. Brush the carbonized grease from the inside of the lid with a stainless steel bristle grill brush. To minimize further build-up, the inside of the lid can be wiped with a paper towel after cooking while the grill is still warm (not hot).
- Clean painted, porcelain-enameled, and plastic surfaces on the outside of your grill with warm soapy water and a non-abrasive cloth.
- If your grill is subject to a particularly harsh environment, you will want to clean the outside more often. Acid rain, chemicals, and salt water can cause surface rusting to appear. WEBER recommends wiping down the outside of your grill with warm soapy water. Follow up with a rinse and thorough drying.
- Do not use any of the following to clean your grill: abrasive stainless steel polishes or paints, cleaners that contain acid, mineral spirits or xylene, oven cleaner, abrasive cleansers (kitchen cleansers), and abrasive cleaning pads.



Cooking times for beef and lamb use the USDA's definition of medium doneness, unless otherwise noted. The cuts, thicknesses, weights, and grilling times are meant to be guidelines. Factors such as altitude, wind, and outside temperature can affect cooking times.

Visit www.weber.com for recipes and grilling tips.

	Thickness / Weight	Approximate Total Grilling Time	
RED MEAT	Steak: New York strip, porterhouse, rib-eye, T-bone, and filet mignon (tenderloin)	¾ in (1.9 cm) thick	4 to 6 minutes direct high heat
		1 in (2.5 cm) thick	6 to 8 minutes direct high heat
		2 in (5 cm) thick	14 to 18 minutes sear 6 to 8 minutes direct high heat, and grill 8 to 10 minutes indirect high heat
	Flank Steak	1½ lb to 2 lb (680 g to 907 g), ¾ in (1.9 cm) thick	8 to 10 minutes direct medium heat
	Ground Beef Patty	¾ in (1.9 cm) thick	8 to 10 minutes direct medium heat
Tenderloin	3 lb to 4 lb (1.36 kg to 1.81 kg)	45 to 60 minutes 15 minutes direct medium heat, and grill 30 to 45 minutes indirect medium heat	
PORK	Bratwurst: fresh	3 oz (85 g) link	20 to 25 minutes direct low heat
	Chop: boneless or bone in	¾ in (1.9 cm) thick	6 to 8 minutes direct high heat
		1¼ in to 1½ in (3.17 cm to 3.81 cm) thick	10 to 12 minutes sear 6 minutes direct high heat, and grill 4 to 6 minutes indirect high heat
	Ribs: baby back, spareribs	3 lb to 4 lb (1.36 kg to 1.81 kg)	1½ to 2 hours indirect medium heat
	Ribs: country-style, bone in	3 lb to 4 lb (1.36 kg to 1.81 kg)	1½ to 2 hours indirect medium heat
Tenderloin	1 lb (453 g)	30 minutes sear 5 minutes direct high heat, and grill 25 minutes indirect medium heat	
POULTRY	Chicken Breast: boneless, skinless	6 oz to 8 oz (170 g to 226 g)	8 to 12 minutes direct medium heat
	Chicken Thigh: boneless, skinless	4 oz (113 g)	8 to 10 minutes direct medium heat
	Chicken Pieces: bone in, assorted	3 oz to 6 oz (85 g to 170 g)	36 to 40 minutes 6 to 10 minutes direct low heat, 30 minutes indirect medium heat
	Chicken: whole	4 lb (1.81 kg) to 5 lb (2.26 kg)	1 to 1½ hours indirect medium heat
	Cornish Game Hen	1½ lb (680 g) to 2 lb (907 g)	60 to 70 minutes indirect medium heat
Turkey: whole, unstuffed	10 lb (4.53 kg) to 12 lb (5.44 kg)	2 to 2½ hours indirect medium heat	
SEAFOOD	Fish, Fillet, or Steak: halibut, red snapper, salmon, sea bass, swordfish, tuna	¼ in to ½ in (0.63 cm to 1.27 cm) thick	3 to 5 minutes direct medium heat
		1 in to 1¼ in (2.54 cm to 3.17 cm) thick	10 to 12 minutes direct medium heat
	Fish: whole	1 lb (453 g)	15 to 20 minutes indirect medium heat
		3 lb (1.36 kg)	30 to 45 minutes indirect medium heat
	Shrimp	1½ oz (28 g)	2 to 4 minutes direct high heat
VEGETABLES	Asparagus	½ in (1.27 cm) diameter	6 to 8 minutes direct medium heat
	Corn	in husk	25 to 30 minutes direct medium heat
		husked	10 to 15 minutes direct medium heat
	Mushroom	shiitake or button	8 to 10 minutes direct medium heat
		portobello	10 to 15 minutes direct medium heat
	Onion	halved	35 to 40 minutes indirect medium heat
		½ in (1.27 cm) slices	8 to 12 minutes direct medium heat
	Potato	whole	45 to 60 minutes indirect medium heat
½ in (1.27 cm) slices		9 to 11 minutes parboil 3 minutes, and grill 6 to 8 minutes direct medium heat	

Make sure food fits on the grill with the lid down, leaving approximately 1 inch (2.54 cm) of clearance between the food and lid.

Cooking Tips

- Grill steaks, fish fillets, boneless chicken pieces, and vegetables using the direct method for the time given on the chart (or to the desired doneness) turning food once, halfway through grilling time.
- Grill roasts, whole poultry, bone-in poultry pieces, whole fish, and thicker cuts using the indirect method for the time given on the chart (or until an instant-read thermometer registers the desired internal temperature).
- Before carving, let roasts, larger cuts of meat, and thick chops and steaks rest for 5 to 10 minutes after cooking. The internal temperature of the meat will rise 5 to 10 degrees during this time.
- For additional smoke flavor, consider adding hardwood chips or chunks (soaked in water for at least 30 minutes and drained) or moistened fresh herbs such as rosemary, thyme, or bay leaves. Place the wet wood or herbs directly on the coals just before you begin cooking.
- Thaw food before grilling. Otherwise, allow for a longer cooking time if cooking frozen food.

Food Safety Tips

- Do not defrost meat, fish, or poultry at room temperature. Defrost in the refrigerator.
- Wash your hands thoroughly with hot, soapy water before starting any meal preparation and after handling fresh meat, fish, and poultry.
- Never place cooked food on the same plate raw food was on.
- Wash all plates and cooking utensils that have come into contact with raw meats or fish with hot, soapy water and rinse.



El incumplimiento de las indicaciones respecto de los PELIGROS, las ADVERTENCIAS y las PRECAUCIONES que contiene este manual de usuario puede causar lesiones graves o la muerte o puede resultar en un incendio o una explosión que cause daños a bienes materiales.

Lea toda la información de seguridad que contiene este manual de usuario antes de utilizar este asador.

PELIGROS

- ⚠ ¡No lo utilice en interiores! Este asador se encuentra diseñado para su uso en exteriores en un área bien ventilada y no está hecho para ser utilizado como calefactor y jamás debería ser utilizado a tal fin. Si se lo usa en interiores, los humos tóxicos se acumularán y causarán lesiones graves o la muerte.
- ⚠ No lo utilice en un garaje, un edificio, un corredor ni en ninguna otra área cerrada.
- ⚠ No use gasolina, alcohol u otros fluidos altamente volátiles para encender el carbón. Si utiliza fluido para encender carbón (no se recomienda), retire cualquier fluido que pueda haber drenado a través de las rejillas del recipiente antes de encender el carbón.
- ⚠ No agregue fluido para encender carbón ni carbón impregnado con ese fluido al carbón caliente o tibio. Tape el fluido para encender carbón después de utilizarlo y colóquelo a una distancia segura del asador.
- ⚠ Mantenga el área de cocción libre de vapor y líquidos inflamables, como gasolina, alcohol, etc. y de material combustible.

ADVERTENCIAS

- ⚠ No utilice este asador a menos que todas las partes se encuentren en su lugar. Este asador debe estar armado correctamente según las instrucciones de armado. El armado incorrecto puede ser peligroso.
- ⚠ Nunca utilice el asador sin que el colector de cenizas esté instalado.
- ⚠ No use este asador debajo de ninguna construcción área combustible.
- ⚠ El uso de alcohol, fármacos recetados o no, puede afectar la habilidad del consumidor de armar u operar este asador de manera correcta o segura.
- ⚠ Actúe con cautela cuando utilice su asador. Estará caliente durante la cocción o la limpieza y nunca debería dejarse sin supervisión.
- ⚠ El asador se calentará mucho, no lo mueva mientras lo utiliza.
- ⚠ Mantenga a los niños y a las mascotas alejados del asador.
- ⚠ Este asador WEBER no se encuentra diseñado para ser instalado en vehículos recreacionales ni en embarcaciones.
- ⚠ No utilice este asador a menos de 5 pies (1.52 metros) de cualquier material combustible. Los materiales combustibles incluyen, entre otros, plataformas de madera o de madera tratada, patios y porches.
- ⚠ Mantenga el asador en una superficie segura y nivelada en todo momento, libre de material combustible.
- ⚠ Nunca coloque el asador sobre una superficie de vidrio o combustible.
- ⚠ No utilice el asador cuando haya vientos fuertes.
- ⚠ No use vestimenta con mangas sueltas y holgadas mientras enciende o utiliza el asador.
- ⚠ Nunca toque la rejilla de cocción o la del carbón, las cenizas, el carbón o el asador para ver si se encuentran calientes.
- ⚠ Apague el carbón cuando termine de cocinar. Para apagarlo, cierre la rejilla de ventilación del recipiente y el regulador de tiro de la tapa y coloque la tapa sobre el recipiente.
- ⚠ Utilice guantes o manoplas para barbacoa resistentes al calor mientras cocina, ajuste las rejillas de ventilación (reguladores de tiro), agregue carbón y manipule el termómetro o la tapa.
- ⚠ Utilice las herramientas adecuadas, con mangos largos y resistentes al calor.
- ⚠ Siempre coloque el carbón sobre la rejilla de carbón (la inferior). No coloque el carbón directamente en el fondo del recipiente.
- ⚠ No incline o sobrecargue el extremo de la tabla.
- ⚠ No utilice el sostén TUCK-AWAY como mango para levantar o mover el asador.
- ⚠ No cuelgue la tapa del mango del recipiente.
- ⚠ Nunca arroje carbón caliente donde alguien pueda pisarlo o donde represente un peligro de incendio. Nunca arroje cenizas o carbón antes de que se encuentren completamente apagados.

- ⚠ No guarde el asador hasta que las cenizas y el carbón se encuentren completamente apagados.
- ⚠ No retire las cenizas hasta que todo el carbón se haya consumido por completo y se encuentre completamente apagado y el asador esté frío.
- ⚠ Mantenga los cables y los cordones eléctricos lejos de las superficies calientes del asador y alejados de las áreas más transitadas.

PRECAUCIONES

- ⚠ No utilice agua para controlar los estallidos o para apagar el carbón.
- ⚠ Cubrir el recipiente con papel de aluminio obstruirá el flujo de aire. En lugar de eso, utilice una bandeja colectora para recoger el goteo de la carne cuando cocine utilizando el método indirecto.
- ⚠ Los cepillos para asador deben revisarse regularmente para verificar si hay cerdas sueltas y un desgaste excesivo. Reemplace el cepillo si encuentra cerdas sueltas en la rejilla de cocción o en el cepillo. WEBER recomienda adquirir un nuevo cepillo de asador con cerdas de acero inoxidable al comienzo de cada primavera.

PROPUESTA 65 DE CALIFORNIA

- ⚠ ADVERTENCIA: Las sustancias derivadas de la combustión que genera este producto durante su uso contienen químicos que el estado de California considera cancerígenos y causantes de defectos congénitos u otros daños reproductivos.
- ⚠ ADVERTENCIA: Este producto puede exponer al usuario a químicos como el níquel, que el estado de California considera cancerígeno. Para más información, visite www.P65Warnings.ca.gov.



Garantía Limitada

Gracias por adquirir un producto WEBER. Weber-Stephen Products LLC, 1415 S. Roselle Road, Palatine, Illinois 60067, EE. UU. (en adelante, "WEBER"), se enorgullece de fabricar productos seguros, duraderos y confiables.

Modelo: Fecha de compra o instalación:

WEBER ofrece esta Garantía Limitada (la "Garantía") sin costo adicional. Aquí encontrará la información necesaria si su producto WEBER requiere reparación, en el caso improbable de que sufra una falla o un defecto.

Según la legislación vigente, el cliente tiene diversos derechos en caso de que el producto resulte defectuoso. Tales derechos incluyen desempeño complementario o sustitución, rebaja del precio de compra y compensación. Las cláusulas de esta Garantía no afectan a tales derechos legales ni a ningún otro. De hecho, esta Garantía proporciona al Propietario derechos que van más allá de los que le otorga la garantía legal.

GARANTÍA LIMITADA DE WEBER

WEBER garantiza al comprador del producto WEBER (o, en caso de que sea un regalo o promoción, la persona para quien haya sido adquirido como regalo o artículo promocional) (en adelante, el "Propietario") que este se encontrará libre de defectos de materiales y mano de obra durante los períodos de tiempo especificados a continuación, siempre que su armado y uso tengan lugar de acuerdo con el manual del usuario que lo acompaña, quedando excluidos el desgaste y deterioro normales. (Nota: En caso de pérdida o extravío del manual del usuario del producto WEBER, puede descargar una copia en línea desde www.weber.com). WEBER acepta, en el marco de esta Garantía, reparar o sustituir las partes defectuosas en cuanto a materiales o mano de obra, con las limitaciones y exclusiones descritas a continuación. EN LA MEDIDA EN QUE LO PERMITA LA LEGISLACIÓN APLICABLE, ESTA GARANTÍA SOLO SERÁ VÁLIDA PARA EL COMPRADOR ORIGINAL Y NO PODRÁ TRANSFERIRSE A POSTERIORES PROPIETARIOS, EXCEPTO EN CASO DE REGALO O ENTREGA COMO ARTÍCULO PROMOCIONAL, SEGÚN LO DESCRITO ANTERIORMENTE.

WEBER respalda sus productos y ofrece con gusto la Garantía descrita frente a defectos de materiales en el asador o sus componentes, quedando excluidos el desgaste y deterioro normales. Se entiende que constituyen "defectos de materiales" los deterioros estéticos e inmateriales que se deriven de la propiedad prolongada del asador, como la oxidación de las superficies, las abolladuras/rayones, etc.

WEBER, no obstante, cumplirá sus obligaciones según esta Garantía en relación con el asador y sus componentes en caso de daño o mal funcionamiento como consecuencia de defectos de materiales.

Se entiende que constituyen "defectos de materiales" el agrietamiento por corrosión o combustión de ciertas partes, así como otros daños o fallas que impidan usar el asador con seguridad/de un modo apropiado.

RESPONSABILIDADES DEL PROPIETARIO BAJO ESTA GARANTÍA

A fin de asegurar la debida cobertura de la Garantía, es importante (aunque no obligatorio) registrar el producto WEBER en línea en www.weber.com. Deben conservarse el recibo y/o la factura de compra originales. Al registrar el producto WEBER, se confirma la cobertura de la Garantía y se establece un vínculo directo con WEBER que el fabricante puede usar si necesita contactar con el Propietario. Si no tuvo tiempo de registrar su asador antes de solicitar el servicio de Garantía, prepare la siguiente información antes de llamar:

Nombre, dirección, teléfono, correo electrónico, número de serie, fecha de compra, distribuidor, modelo, color y principal problema.

La Garantía anterior solo será válida si el Propietario cuida razonablemente el producto WEBER de acuerdo con las instrucciones de armado, las instrucciones de uso y las indicaciones de mantenimiento preventivo descritas en el manual del usuario que lo acompaña, a menos que el Propietario pueda demostrar que la falla o el defecto no guarda relación con el incumplimiento de tales obligaciones. Si el producto se instala en una zona costera o cerca de una alberca, el lavado y enjuague periódicos de las superficies exteriores se considerarán parte del mantenimiento, según lo descrito en el manual del usuario.

GESTIONES EN GARANTÍA Y SITUACIONES NO CUBIERTAS

Si cree estar en una situación cubierta por esta Garantía, contacte con el Servicio de Atención al Cliente de WEBER usando la información de contacto disponible en nuestro sitio web (www.weber.com) o el sitio web correspondiente al país de residencia del Propietario). Luego de llevar a cabo las investigaciones que correspondan, WEBER reparará o sustituirá (a decisión propia) la parte defectuosa cubierta por esta Garantía. En caso de que la reparación o sustitución no sea posible, WEBER podrá (a decisión propia) reemplazar el asador en cuestión por otro nuevo de igual o mayor valor. Como Propietario del producto, puede ser que WEBER le pida que devuelva las partes afectadas para su inspección (deberá cubrir los gastos de envío).

Las garantías deben amparar todas las piezas y componentes del producto e incluir la mano de obra. En consecuencia, los importadores están obligados a reemplazar cualquier pieza o componente defectuoso sin costo adicional para el consumidor. Dichas garantías deben incluir los gastos de transportación del producto que deriven de su cumplimiento, dentro de su red de servicio.

Esta garantía no es válida en los siguientes casos:

- 1. Cuando el producto haya sido utilizado en condiciones distintas a las normales.
- 2. Cuando el producto no haya sido operado de acuerdo con el instructivo de uso proporcionado.

- 3. Cuando el producto ha sido alterado o reparado por personas no autorizadas por WEBER. Antes de ponerse en contacto con el Servicio de Atención al Cliente, prepare la siguiente información:

Nombre, dirección, teléfono, correo electrónico, número de serie, fecha de compra, distribuidor, modelo, color y principal problema.

Las garantías deben amparar todas las piezas y componentes del producto e incluir la mano de obra. En consecuencia, los importadores están obligados a reemplazar cualquier pieza o componente defectuoso sin costo adicional para el consumidor. Dichas garantías deben incluir los gastos de transportación del producto que deriven de su cumplimiento, dentro de su red de servicio.

Esta garantía no es válida en los siguientes casos:

- 1. Cuando el producto haya sido utilizado en condiciones distintas a las normales.
- 2. Cuando el producto no haya sido operado de acuerdo con el instructivo de uso proporcionado.
- 3. Cuando el producto ha sido alterado o reparado por personas no autorizadas por WEBER.

Esta GARANTÍA no cubre partes dañadas, deterioradas, decoloradas y/u oxidadas por motivos de los que WEBER no sea responsable y tengan su origen en:

- Abuso, mal uso, alteración, modificación, uso indebido, vandalismo, negligencia, armado o instalación incorrectos, u omisión al llevar a cabo las labores normales y rutinarias de mantenimiento.
- Insectos (como arañas) y roedores (como ardillas), incluidos, entre otros, los daños que puedan causar en los tubos quemadores y/o la manguera de gas.
- Exposición a atmósferas salinas y/o fuentes de cloro, como albercas, tinas de hidromasaje o espás.
- Condiciones meteorológicas severas, como granizo, huracanes, terremotos, tsunamis o temporales, tornados o grandes tormentas.
- Lluvia ácida y otros factores ambientales.

El uso de partes de otros fabricantes no invalida esta Garantía. No obstante, esta Garantía no cubre aquellas partes usadas y/o instaladas en el producto WEBER que no sean partes originales WEBER. Esta Garantía tampoco cubre aquellos daños resultantes del uso y/o la instalación de partes en el producto WEBER que no sean partes originales WEBER. Toda conversión de un asador de gas no autorizada por WEBER y llevada a cabo por un técnico autorizado por WEBER dará lugar a la invalidación de esta Garantía.

PERIODOS DE GARANTÍA DE PRODUCTO

Tazón, tapa y anillo central:
10 años, sin que atravesase el óxido/quemaduras

Sistema de limpieza ONE-TOUCH:
5 años, sin que atravesase el óxido/quemaduras

Componentes plásticos:
5 años, excluyendo el deterioro o decoloración

Todas las partes restantes:
2 años

EXENCIONES DE RESPONSABILIDAD

APARTE DE LAS GARANTÍAS Y EXENCIONES DESCRITAS COMO PARTE DE ESTA DECLARACIÓN DE GARANTÍA, NO EXISTEN OTRAS GARANTÍAS O DECLARACIONES VOLUNTARIAS DE RESPONSABILIDAD EXPLÍCITAS, MÁS ALLÁ DE LA RESPONSABILIDAD LEGAL APLICABLE A WEBER. ASIMISMO, LA PRESENTE DECLARACIÓN DE GARANTÍA NO LIMITA NI EXCLUYE AQUELLAS SITUACIONES O RECLAMACIONES DE LAS QUE WEBER DEBA HACERSE RESPONSABLE SEGÚN LO PREVISTO EN LA LEY. NO SE CONSIDERARÁ VÁLIDA NINGUNA OTRA GARANTÍA UNA VEZ VENCIDA ESTA GARANTÍA. WEBER NO ASUMIRÁ NINGUNA OTRA GARANTÍA (INCLUIDAS LAS "GARANTÍAS AMPLIADAS") OFRECIDA POR NINGUNA PERSONA, DISTRIBUIDOR O AGENTE COMERCIAL, EN RELACIÓN CON NINGÚN PRODUCTO. EL ÚNICO OBJETO DE ESTA GARANTÍA ES LA REPARACIÓN O SUSTITUCIÓN DE LA PARTE O EL PRODUCTO EN CUESTIÓN.

ESTA GARANTÍA NO CUBRIRÁ EN NINGÚN CASO IMPORTES ECONÓMICOS SUPERIORES AL PRECIO DE COMPRA DEL PRODUCTO WEBER ADQUIRIDO. EL USUARIO ASUME EL RIESGO Y LA RESPONSABILIDAD DERIVADOS DE AQUELLAS PÉRDIDAS, DAÑOS O LESIONES SUFRIDOS POR AQUEL Y SU PROPIEDAD Y/U OTRAS PERSONAS Y SUS PROPIEDADES QUE SE DERIVEN DEL MAL USO O ABUSO DEL PRODUCTO, O DE NO RESPETAR LAS INSTRUCCIONES FACILITADAS POR WEBER EN EL MANUAL DEL USUARIO QUE LO ACOMPAÑA.

LAS PARTES Y ACCESORIOS SUSTITUIDOS EN EL MARCO DE ESTA GARANTÍA GOZARÁN DE UN PERÍODO DE GARANTÍA EQUIVALENTE AL TIEMPO RESTANTE DEL PERÍODO DE GARANTÍA ORIGINAL INDICADO ANTERIORMENTE.

ESTA GARANTÍA SOLO ES VÁLIDA PARA EL USO EN VIVIENDAS O DEPARTAMENTOS UNIFAMILIARES PRIVADOS, NO ASÍ PARA ASADORES WEBER DESTINADOS AL USO EN INSTALACIONES COMERCIALES, COMUNITARIAS O DE UNIDADES MÚLTIPLES, COMO RESTAURANTES, HOTELES, COMPLEJOS TURÍSTICOS O PROPIEDADES DE RENTA.

Índice

SEGURIDAD.....	12
GARANTÍA.....	13
SISTEMA DE COCCIÓN.....	14
ACCESORIOS ESPECIALES DEL ASADOR DE CARBÓN.....	15
ANTES DE ENCENDERLO.....	16
CÓMO ENCENDER EL CARBÓN.....	17
MÉTODOS DE COCCIÓN.....	18
CONSEJOS Y TRUCOS PARA EL ÉXITO EN LA COCCIÓN.....	20
GUÍA PARA EL ASADOR.....	21

Repuestos

Si necesita repuestos o tiene preguntas sobre el armado, el uso o el mantenimiento de su asador, comuníquese con el Servicio al cliente de WEBER.

Para compras realizadas en EE. UU. y Canadá
1-800-446-1071

Para compras realizadas en México
01800-00-WEBER [93237] Interno 105

WEBER PUEDE ALTERAR EL DISEÑO DE SUS PRODUCTOS CADA CIERTO TIEMPO. NINGUNA DE LAS ESTIPULACIONES QUE CONTIENE ESTA GARANTÍA DEBE CONSIDERARSE CONSTITUYENTE DE UNA OBLIGACIÓN POR PARTE DE WEBER DE INCORPORAR TALES CAMBIOS DE DISEÑO A PRODUCTOS FABRICADOS ANTERIORMENTE; DEL MISMO MODO, LA APLICACIÓN DE TALES CAMBIOS NO CONSTITUIRÁ UNA ADMISIÓN DEL CARÁCTER DEFECTUOSO DE LOS DISEÑOS ANTERIORES.

Weber-Stephen Products LLC
Centro de Atención al Cliente
1415 S. Roselle Road
Palatine, IL 60067
EE. UU.

Para adquirir refacciones, llame al teléfono:
1-800-446-1071

Para compras hechas en México / Para garantía acudir /

Importado por:

Weber-Stephen Products S.A. de C.V.
Av. Patriotismo No. 229 Torre 1 Piso 6-A,
Colonia San Pedro de los Pinos,
Alcaldía Benito Juárez, C.P. 03800 Ciudad de México.

RFC: WPR030919-ND4

Tel: 01800-00-WEBER (93237)

Para partes de repuesto ir a la dirección del importador o llame a:
01800-00-WEBER (93237)

Para hacer efectiva esta garantía es necesario llame por teléfono a los números indicados en este apartado o presentarse en los establecimientos autorizados por WEBER. Para hacer efectiva esta garantía no pueden exigirse otros requisitos más que la presentación del producto, la garantía vigente y comprobante de venta.



SISTEMA DE COCCIÓN

El modo en que su asador de carbón WEBER se diseñó se ha pensado de manera minuciosa. Diseñamos los asadores para que funcionen de modo que usted nunca tenga que preocuparse por los estallidos, los puntos fríos y calientes o porque la comida se queme. Espere un funcionamiento, un control y resultados excelentes cada vez que lo utilice.

A Recipiente y tapa

Cada asador de carbón WEBER se encuentra hecho con un recipiente y una tapa de acero cubierto con esmalte de porcelana horneado. Esto es importante porque significa que nunca se descascará o escamará. La superficie reflectante brinda cocción por conducción, de modo que el calor se irradia alrededor de los alimentos como un horno de interior, brindándole resultados de cocción parejos.

B Reguladores de tiro y ventilaciones

Un factor importante en la cocina al asador es el aire. Cuanto más aire deje entrar al asador, más se calentará el fuego (hasta un punto) y con más frecuencia necesitará alimentarlo. Entonces, para minimizar la alimentación, mantenga la tapa tan cerrada como sea posible. Las ventilaciones del recipiente en el fondo del asador deberían dejarse abiertas siempre que esté cocinando, pero para aminorar el ritmo al que su fuego se consume, cierre el regulador de tiro de la tapa hasta la mitad.

C Rejilla de cocción

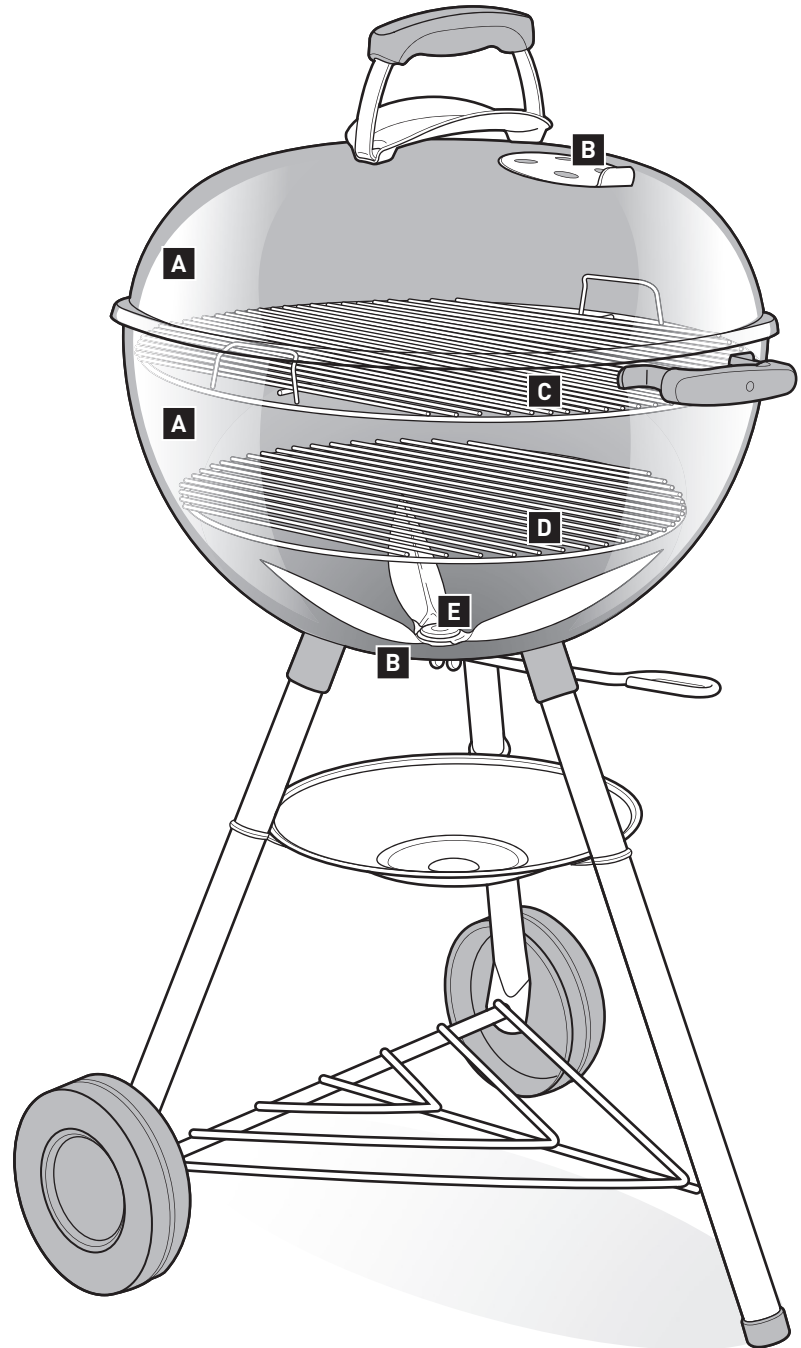
Hecha de acero cromado de alta resistencia, la rejilla de cocción brinda un área amplia para preparar todas sus comidas favoritas.

D Rejilla para el carbón

La rejilla para el carbón tiene lo necesario para soportar el calor de cualquier fuego de carbón. Hecha de acero de alta resistencia, esta rejilla duradera no se deformará ni se quemará. Además, le brinda espacio suficiente para la cocción directa o indirecta y le otorga la flexibilidad de cocinar del modo que desee.

E Sistema de limpieza ONE-TOUCH

El sistema de limpieza ONE-TOUCH facilita la limpieza. A medida que mueve el mango hacia atrás y hacia adelante, las tres láminas del recipiente remueven la ceniza del fondo del asador hacia el interior del colector de cenizas. Estas mismas ventilaciones actúan como un amortiguador para el recipiente, para ayudar a llevar oxígeno hacia el fuego o para permitirle extinguir el fuego de manera fácil.

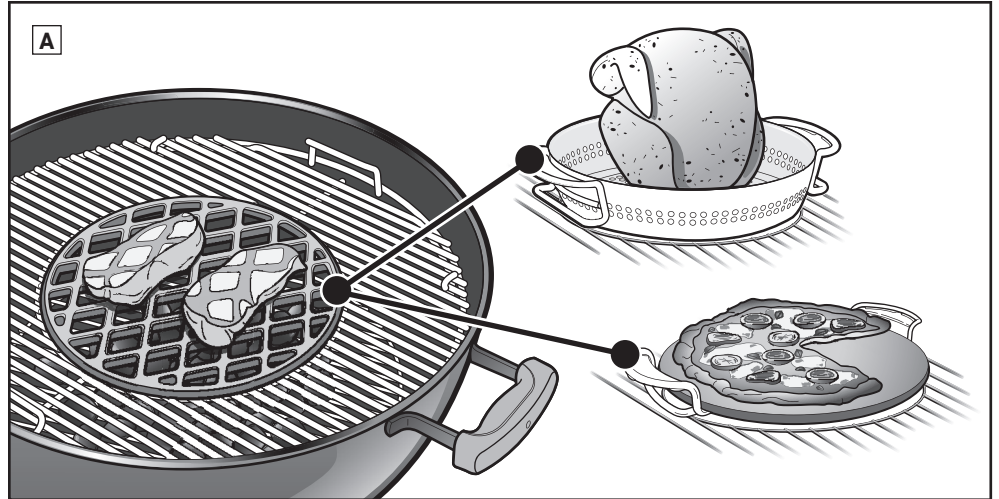




Según el modelo que haya adquirido, su asador puede estar equipado con los accesorios que se describen en esta página o no.

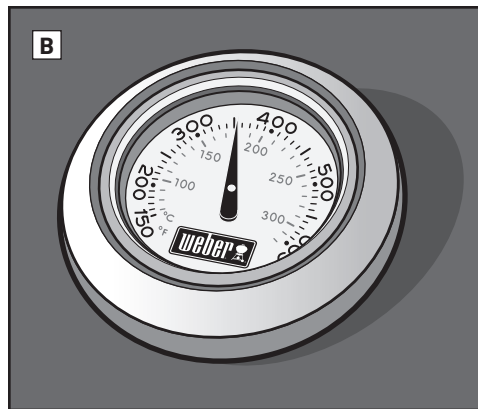
A GOURMET BBQ SYSTEM

Su rejilla de cocción puede encontrarse equipada con un área central especial que es desmontable. Este accesorio se encuentra diseñado para permitirle agregar fácilmente componentes para cocinar de WEBER GOURMET BBQ SYSTEM como una piedra para pizza, un wok, una plancha, una rejilla para dorar, un tostador para aves, una sartén ebelskiver (similar a una wafflera) o un complemento para preparar barbacoa coreana (se vende por separado). Cada opción le brinda infinitas oportunidades de probar recetas nuevas.



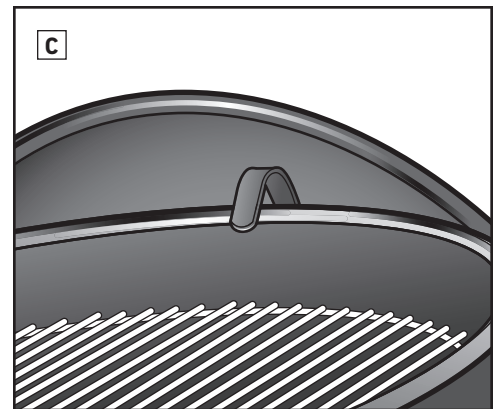
B Termómetro incorporado

Un termómetro duradero incorporado en la tapa le permite controlar fácilmente la temperatura de su asador.



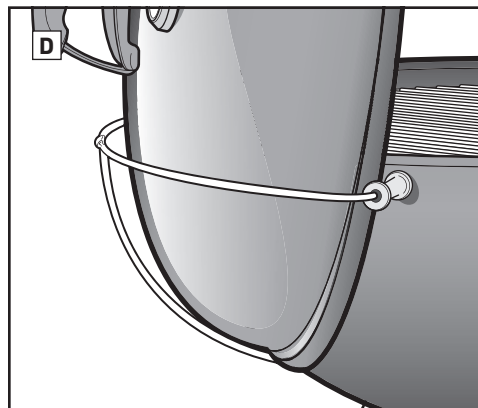
C Gancho para la tapa

Dentro de la tapa del asador hay un gancho angulado. Simplemente deslice la tapa hacia un lado y cuélguela del recipiente.



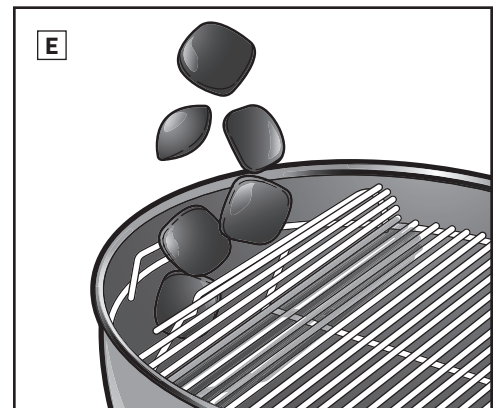
D Sostén para plegar y guardar la tapa TUCK-AWAY

El sostén para plegar y guardar la tapa TUCK-AWAY le permite mover fácilmente la tapa hacia un lado para revisar su comida o para agregar carbón.



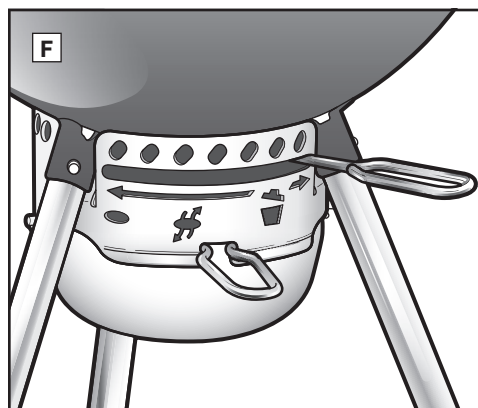
E Rejilla de cocción articulada

La rejilla articulada cuenta con un área a ambos lados que se levanta para permitirle agregar combustible de manera fácil.



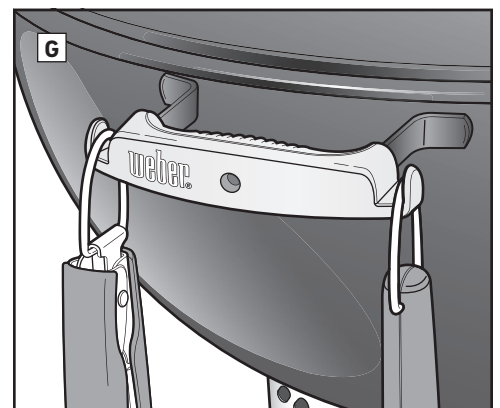
F Colector de cenizas de gran capacidad

El colector de cenizas totalmente cerrado de gran capacidad evita que las cenizas vuelen y se desmonta fácilmente para retirar las cenizas de una manera rápida y limpia.



G Mango con ganchos para herramientas

El mango cuenta con ganchos incorporados para que disponga de un lugar conveniente para colgar sus herramientas.





ANTES DE ENCENDERLO

Elija un lugar apropiado para el asador

- Utilice este asador solo en el exterior, en un área con buena ventilación. No lo utilice en un garaje, un edificio, un corredor ni en ninguna otra área cerrada.
- Mantenga el asador en una superficie segura y nivelada en todo momento.
- No utilice el asador a menos de 5 pies (1.52 metros) de cualquier material combustible. Los materiales combustibles incluyen, entre otros, plataformas de madera o de madera tratada, patios y porches.

Elija cuánto carbón utilizar

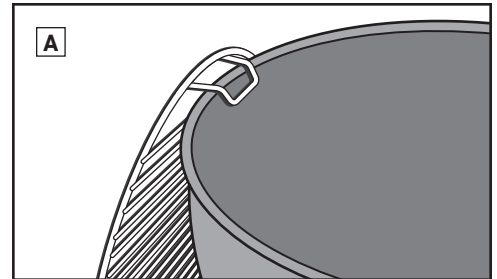
Elegir la cantidad de carbón depende de lo que vaya a asar y del tamaño de su asador. Si va a asar porciones pequeñas y tiernas de comida que toman menos de 20 minutos, consulte la tabla de la **cantidad de carbón para calor directo**. Si va a asar cortes de carne más grandes que requieren 20 minutos de cocción o más o alimentos delicados, consulte la tabla de la **cantidad de carbón para calor indirecto**. Para más detalles sobre la diferencia entre cocción directa e indirecta, consulte la sección **MÉTODOS DE COCCIÓN**.

El carbón generalmente dura una hora antes de consumirse por completo y de que sea necesario reemplazarlo.

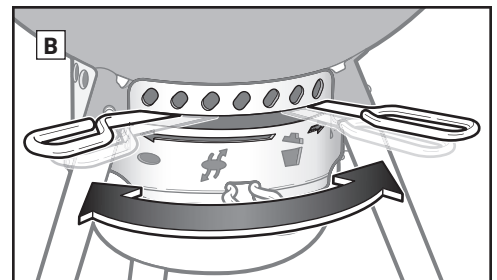
Cómo preparar el asador para encenderlo

1. Retire la tapa y colóquela a un lado de su asador utilizando el gancho para la tapa que se encuentra en el interior de la tapa o el sostén TUCK-AWAY (según su modelo de asador).

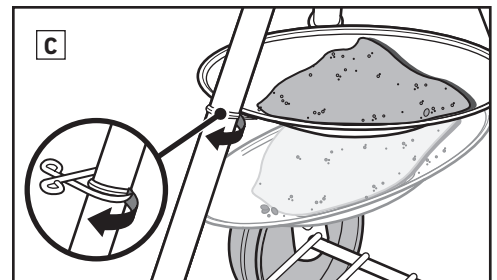
2. Retire la rejilla de cocción (la superior) de su asador. Para su comodidad, cuelgue la rejilla de cocción del recipiente, el panel trasero o el marco de su asador con su mango curvo (un accesorio de algunos de nuestros asadores) **(A)**. Si su asador viene con rejilla GOURMET BBQ SYSTEM primero retire el área central desmontable y, luego, toda la rejilla de cocción del asador.



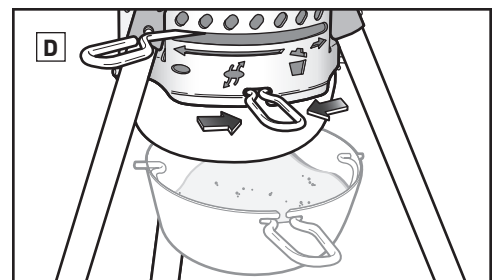
3. Retire la rejilla para el carbón (la inferior) y limpie las cenizas o trozos de carbón viejo del fondo del recipiente. El carbón necesita oxígeno para quemarse, entonces asegúrese de que nada obstruya las ventilaciones. Para los asadores con el sistema de limpieza ONE-TOUCH, mueva el mango hacia atrás y hacia adelante para mover las cenizas del fondo del asador hacia el colector de cenizas **(B)**.



4. Si su asador cuenta con un colector de cenizas estándar, suelte la pinza para retirar el colector de cenizas **(C)**. Luego elimine las cenizas. Si su asador cuenta con un colector de cenizas de gran capacidad, presione el colector de cenizas para retirarlo del asador **(D)**.

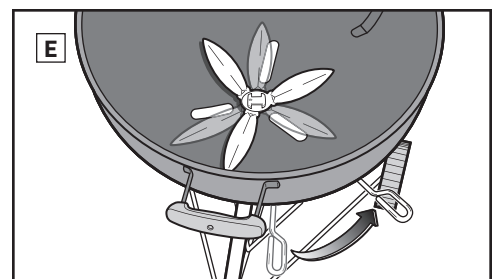


5. Abra la ventilación del recipiente moviendo el mango por completo hacia la derecha **(E)** o moviendo el mango hacia la posición de apertura **(F)** (según su modelo de asador).



6. Reemplace la rejilla de carbón (la inferior).

Nota: Las instrucciones para el uso de fluido para encender se excluyeron de este manual de usuario de manera intencional. El fluido para encender es problemático y puede transmitir un sabor químico a su comida, mientras que los cubos para encender (que se venden por separado), no. Si elige utilizar fluido para encender, siga las instrucciones del fabricante y NUNCA agregue fluido para encender al fuego.



Cantidad de carbón para calor directo

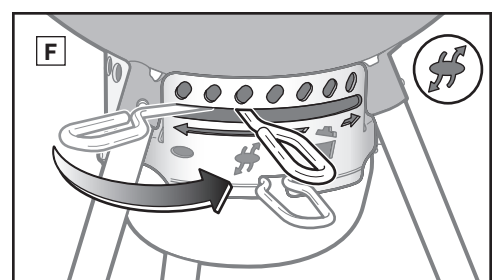
Hamburguesas, bistecs, chuletas, brochetas, trozos de pollo sin hueso, filetes de pescado, mariscos, vegetales en rodajas.

Diámetro del asador	Briquetas Weber necesarias	Carbón Briquetas necesarias
18" (47 cm)	30	40
22" (57 cm)	40	50
26" (67 cm)	65	80
37" (95 cm)	115	150

Cantidad de carbón para el calor indirecto

Asados, trozos de ave con hueso, pescados enteros, delicados filetes de pescado, pollos o pavos enteros, costillas.

Diámetro del asador	Briquetas Weber necesarias para la primera hora	Briquetas Weber que deben agregarse por hora adicional	Briquetas de carbón necesarias para la primera hora	Briquetas de carbón necesarias para cada hora adicional
18" (47 cm)	10 por lado	5 por lado	20 por lado	7 por lado
22" (57 cm)	15 por lado	7 por lado	25 por lado	8 por lado
26" (67 cm)	25 por lado	8 por lado	40 por lado	9 por lado
37" (95 cm)	45 por lado	18 por lado	75 por lado	22 por lado





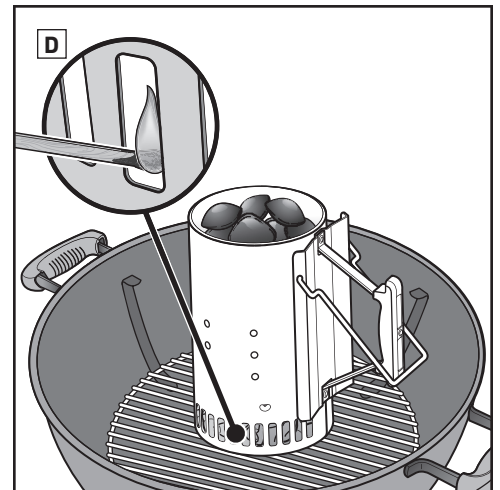
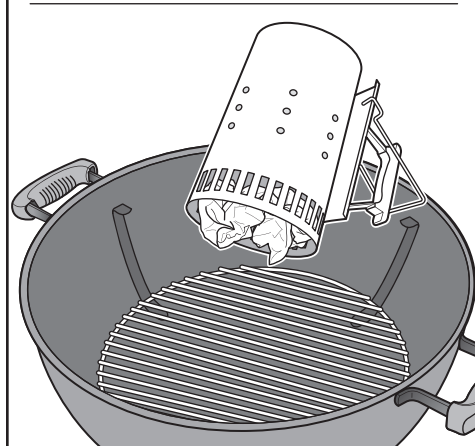
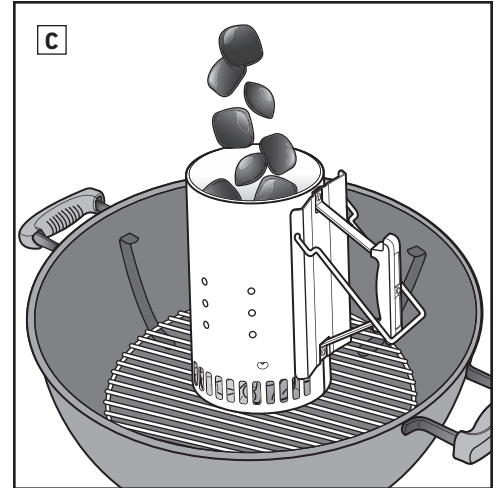
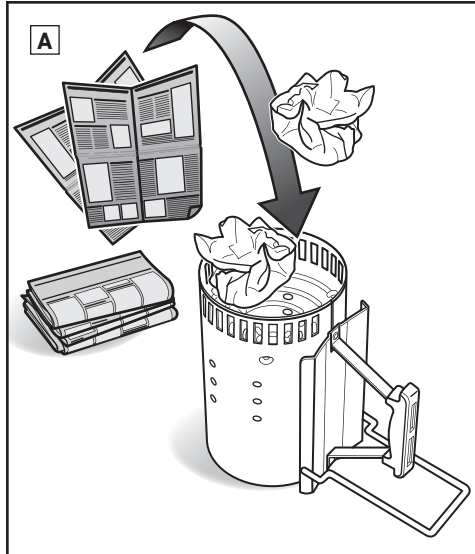
Cómo encender el carbón utilizando un encendedor para chimenea

El modo más simple y cuidadoso de encender cualquier tipo de carbón es utilizar un encendedor para chimenea; en particular, el encendedor para chimenea RAPIDFIRE de WEBER (se vende por separado). Consulte las precauciones y las advertencias incluidas con el encendedor para chimenea RAPIDFIRE antes de encender.

1. Coloque algunas hojas de papel de periódico arrugado en el fondo del encendedor para chimenea y enciéndalo en la rejilla del carbón (A); o coloque algunos cubos de encendido en el centro de la rejilla del carbón y ubique el encendedor para chimenea sobre ellos (B).
2. Llene el encendedor para chimenea con carbón (C).
3. Encienda los cubos de encendido o el papel de periódico a través de los hoyos en el costado del encendedor para chimenea (D).
4. Mantenga el encendedor para chimenea en su lugar hasta que el carbón se encuentre completamente encendido. Sabrá cuándo el carbón está completamente encendido cuando se encuentre cubierto con una capa de ceniza blanca. Esto puede tomar de 15 a 20 minutos.

Nota: Los cubos de encendido que utilice deben estar completamente consumidos y los carbones cubiertos de cenizas antes de colocar los alimentos sobre la rejilla.

5. Una vez que el carbón se encuentre completamente encendido, continúe a las páginas siguientes para leer las instrucciones sobre cómo disponer el carbón y comenzar a cocinar según el método de cocción deseado (método directo o indirecto).

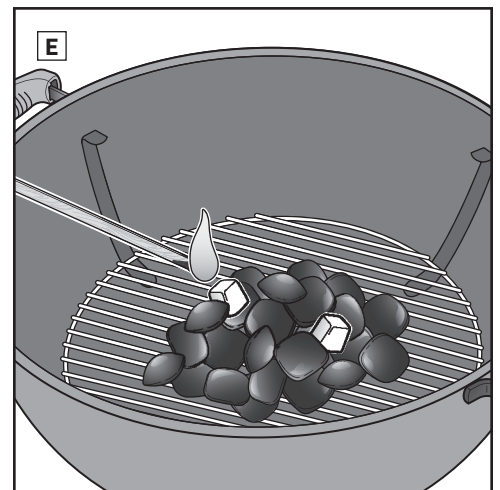
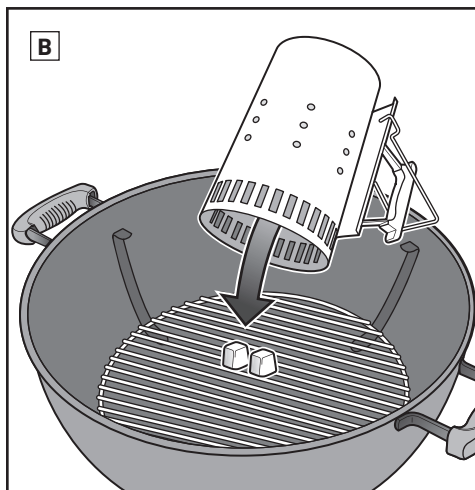


Cómo encender el carbón utilizando cubos de encendido

1. Haga una pirámide de carbón en el centro de la rejilla del carbón (la inferior) e inserte un par de cubos de encendido (se venden por separado) dentro de la pirámide (E).
2. Utilizando un fósforo o encendedor largo, encienda los cubos. Luego, los cubos de encendido encenderán el carbón.
3. Espere a que el carbón se encuentre completamente encendido. Sabrá cuándo el carbón está completamente encendido cuando se encuentre cubierto con una capa de ceniza blanca. Esto puede tomar de 15 a 30 minutos.

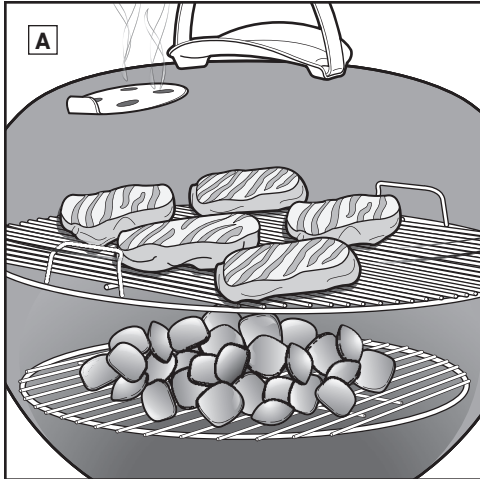
Nota: Los cubos de encendido que utilice deben estar completamente consumidos y los carbones cubiertos de cenizas antes de colocar los alimentos sobre la rejilla.

4. Una vez que el carbón se encuentre completamente encendido, continúe a las páginas siguientes para leer las instrucciones sobre cómo disponer el carbón y comenzar a cocinar según el método de cocción deseado (método directo o indirecto).





MÉTODOS DE COCCIÓN



Cómo cocinar con calor directo

Utilice el método directo para trozos pequeños y tiernos de alimentos que tomen menos de 20 minutos para cocinarse, tales como:

- Hamburguesas
- Bistecs
- Chuletas
- Brochetas
- Trozos de pollo sin hueso
- Filetes de pescado
- Mariscos
- Vegetales en rodajas

Con el calor directo, el fuego está justo debajo de los alimentos (A). Dora las superficies de los alimentos, desarrollando los sabores, la textura y una caramelización deliciosa mientras que también cocina los alimentos por completo hasta el interior.

Un fuego directo crea calor radiante y por conducción. El calor radiante del carbón cocina rápidamente la superficie de los alimentos más cercana. Al mismo tiempo, el fuego calienta las barras de la rejilla de cocción, que conduce el calor directamente a la superficie de los alimentos y crea esas inconfundibles y encantadoras marcas del asador.

Cómo disponer el carbón para el calor directo

1. Colóquese las manoplas o los guantes para barbacoa.
2. Una vez que el carbón se encuentre completamente encendido, distribúyalo de manera pareja sobre la rejilla con pinzas largas. (B).
3. Vuelva a colocar la rejilla de cocción.
4. Coloque la tapa sobre el asador.
5. Abra el regulador de tiro de la tapa. (C).
6. Precaliente la rejilla de 10 a 15 minutos aproximadamente.
7. Una vez que la rejilla de cocción se encuentre precalentada, límpiela utilizando un cepillo para asador con cerdas de acero inoxidable. (D).
8. Abra la tapa y coloque los alimentos sobre la rejilla.
9. Coloque la tapa sobre el asador. Consulte la receta para conocer los tiempos de cocción recomendados.

Nota: Utilice un cepillo para asador con cerdas de acero inoxidable. Reemplace el cepillo si encuentra cerdas sueltas en la rejilla de cocción o en el cepillo.

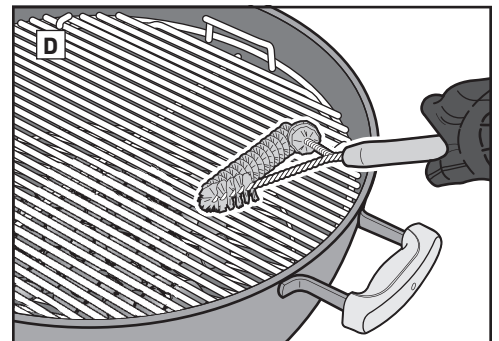
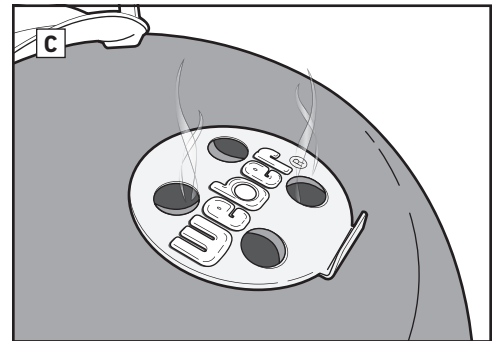
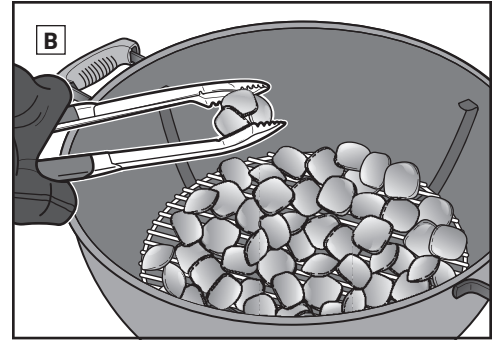
8. Abra la tapa y coloque los alimentos sobre la rejilla.

9. Coloque la tapa sobre el asador. Consulte la receta para conocer los tiempos de cocción recomendados.

Nota: Cuando retire la tapa del asador durante la cocción, levántela hacia un lado, en lugar de hacerlo hacia arriba. Levantarla hacia arriba puede crear succión y atraer cenizas hacia su comida.

Cuando haya terminado la cocción...

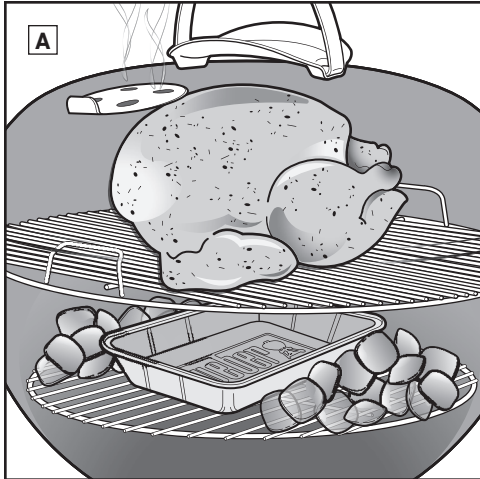
Cierre el regulador de tiro de la tapa y las ventilaciones del recipiente para apagar el carbón.



Cantidad de carbón para calor directo

Hamburguesas, bistecs, chuletas, brochetas, trozos de pollo sin hueso, filetes de pescado, mariscos, vegetales en rodajas.

Diámetro del asador	Briquetas Weber necesarias	Carbón Briquetas necesarias
18" (47 cm)	30	40
22" (57 cm)	40	50
26" (67 cm)	65	80
37" (95 cm)	115	150



Cómo asar con calor indirecto

Utilice el método indirecto para cortes de carne más grandes que requieren 20 minutos o más de tiempo de cocción o para alimentos que son tan delicados que la exposición directa al calor los secaría o los quemaría, tales como:

- Asados
- Trozos de ave con hueso
- Pescados enteros
- Delicados filetes de pescado
- Pollos enteros
- Pavos
- Costillas

El calor indirecto también se puede utilizar para terminar de cocinar alimentos más gruesos o cortes con hueso que se han dorado o tostado primero sobre el calor directo.

Con el calor indirecto, el calor se encuentra en ambos lados del asador o hacia un lado del asador. Los alimentos se apoyan sobre la parte de la rejilla de cocción que no se encuentra encendida (A).

El calor radiante y el calor por conducción son factores estables, pero no son tan intensos cuando se cocina de manera indirecta. Sin embargo, si la tapa del asador se encuentra cerrada, como debería, se genera otro tipo de calor: el calor por convección. La temperatura sube, se refleja en la tapa y en las superficies interiores del asador y circula para cocinar lentamente los alimentos de manera pareja en todos sus lados.

El calor por convección no dora la superficie de los alimentos del modo en que lo hacen el calor radiante y por conducción. Cocina más suavemente todo hasta el centro, como el calor de un horno.

Cantidad de carbón para el calor indirecto

Asados, trozos de ave con hueso, pescados enteros, delicados filetes de pescado, pollos o pavos enteros, costillas.

Diámetro del asador	Briquetas Weber necesarias para la primera hora	Briquetas Weber que deben agregarse por hora adicional	Briquetas de carbón necesarias para la primera hora	Briquetas de carbón necesarias para cada hora adicional
18" (47 cm)	10 por lado	5 por lado	20 por lado	7 por lado
22" (57 cm)	15 por lado	7 por lado	25 por lado	8 por lado
26" (67 cm)	25 por lado	8 por lado	40 por lado	9 por lado
37" (95 cm)	45 por lado	18 por lado	75 por lado	22 por lado

Cómo disponer el carbón para el calor indirecto

1. Colóquese las manoplas o los guantes para barbacoa.
2. Una vez que el carbón se encuentre completamente encendido, disponga el carbón con pinzas largas para que quede a ambos lados de la comida (B). Coloque el carbón a ambos lados del recipiente frente a los mangos (C). Se puede colocar una bandeja colectora entre el carbón para recoger el goteo.
3. Vuelva a colocar la rejilla de cocción.
4. Coloque la tapa sobre el asador. Si su asador cuenta con un termómetro, coloque siempre la tapa de modo tal que el termómetro no quede sobre el carbón donde se encontrará expuesto al calor directo (D).
5. Abra el regulador de tiro de la tapa (E).
6. Precaliente la rejilla de 10 a 15 minutos aproximadamente.
7. Una vez que la rejilla de cocción se encuentre precalentada, límpiela utilizando un cepillo para asador con cerdas de acero inoxidable (F).

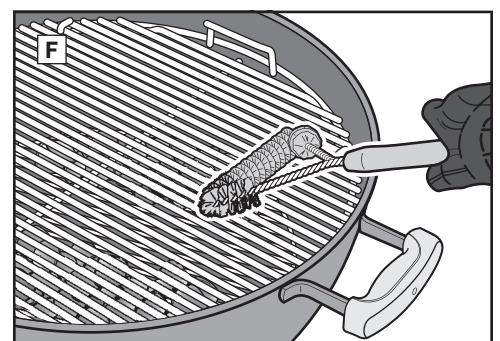
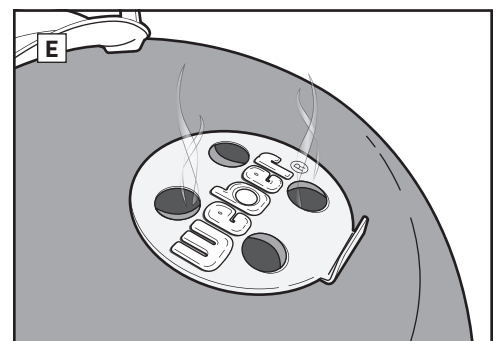
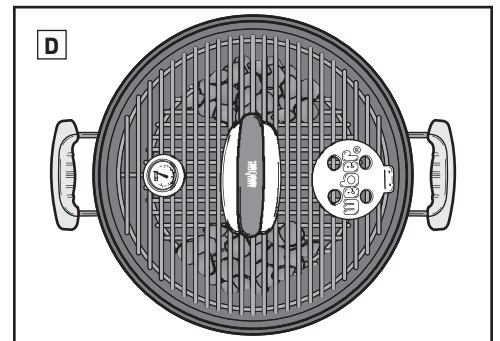
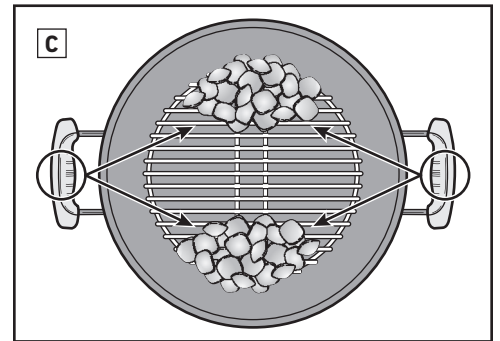
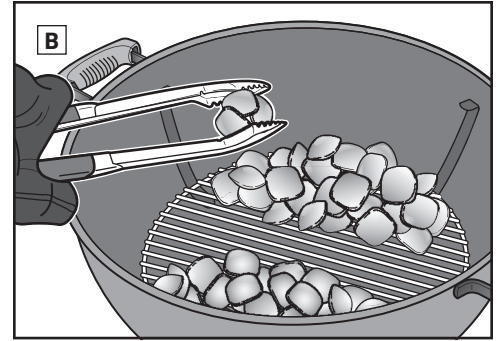
Nota: Utilice un cepillo para asador con cerdas de acero inoxidable. Reemplace el cepillo si encuentra cerdas sueltas en la rejilla de cocción o en el cepillo.

8. Abra la tapa y coloque los alimentos sobre la rejilla.
9. Coloque la tapa sobre el asador. Consulte la receta para conocer los tiempos de cocción recomendados.

Nota: Cuando retire la tapa del asador durante la cocción, levántela hacia un lado, en lugar de hacerlo hacia arriba. Levantarla hacia arriba puede crear succión y atraer cenizas hacia su comida.

Cuando haya terminado la cocción...

Cierre el regulador de tiro de la tapa y las ventilaciones del recipiente para apagar el carbón.





Utilice guantes

Use siempre una manopla o guantes para barbacoa cuando utilice su asador a carbón. Las ventilaciones, los reguladores de tiro, los mangos y el recipiente se calentarán durante el proceso de cocción, así que asegúrese de mantener sus manos y antebrazos protegidos.

Prescinda del fluido para encender

Evite utilizar fluido para encender, ya que puede impartir un sabor químico a su comida. Los encendedores para chimeneas (que se venden por separado) son un modo mucho más limpio y mucho más efectivo de encender su carbón.

Precaliente el asador

Precalentar su asador con la tapa cerrada de 10 a 15 minutos prepara la rejilla de cocción. Con todo el carbón en rojo, la temperatura debajo de la tapa debería alcanzar los 500° F (260° C). El calor afloja cualquier fragmento y trozo de comida que cuelgue de la rejilla, y facilita quitarlos con un cepillo para asador con cerdas de acero inoxidable. Precalentar el asador hace que la rejilla esté lo suficientemente caliente para dorar de manera adecuada y también contribuye a evitar que la comida se pegue a la rejilla.

Nota: Utilice un cepillo para asador con cerdas de acero inoxidable. Reemplace el cepillo si encuentra cerdas sueltas en la rejilla de cocción o en el cepillo.

Coloque aceite en la comida, no en la rejilla.

El aceite evita que la comida se pegue y también agrega sabor e hidratación. Pincelar o rociar levemente la comida con aceite funciona mejor que pincelar la rejilla.

Mantenga el flujo de aire

Un fuego de carbón necesita aire. La tapa debe cerrarse tanto como sea posible, pero mantenga el regulador de tiro de la tapa y la ventilación del recipiente abiertos. Retire las cenizas del fondo del asador regularmente para evitar que obstruyan las ventilaciones.

Póngale una tapa

Por cuatro razones importantes, la tapa debería estar tan cerrada como sea posible:

1. Mantiene la rejilla lo suficientemente caliente para dorar la comida.
2. Acelera el tiempo de cocción y evita que la comida se seque.
3. Atrapa el ahumado que se desarrolla cuando la grasa y los jugos se evaporan en el asador.
4. Evita los estallidos al limitar el oxígeno.

Mitigue la llama

Los estallidos ocurren, lo que es bueno porque doran la superficie de lo que está cocinando; sin embargo, muchos estallidos pueden quemar su comida. Mantenga la tapa puesta tanto como sea posible. Esto limita la cantidad de oxígeno dentro del asador, lo que ayudará a extinguir los estallidos. Si las llamas comienzan a estar fuera de control, coloque la comida en el calor indirecto temporalmente, hasta que se extingan.

Controle el tiempo y la temperatura

Si va a cocinar en un clima más frío o a una mayor altitud, los tiempos de cocción serán más prolongados. Si el viento sopla fuerte, aumentará la temperatura del asador a carbón, entonces manténgase siempre cerca del asador y recuerde mantener la tapa puesta tanto como sea posible de modo que el calor no escape.

Congelado o fresco

Ya sea que esté cocinando alimentos frescos o congelados, siga las pautas de seguridad en el envase y siempre cocínelos hasta alcanzar la temperatura interna recomendada. Los alimentos congelados tardarán más tiempo en cocinarse y es posible que necesite agregar más combustible según el tipo de alimento.

Manténgala limpia

¡Siga algunas instrucciones básicas de mantenimiento para que su asador continúe viéndose y cocinando mejor por años!

- Para que el aire fluya correctamente y la cocción sea mejor, retire las cenizas acumuladas y el carbón viejo del fondo de la caldera y del colector de cenizas antes del uso. Asegúrese de que todo el carbón esté completamente apagado y de que el asador esté frío antes de hacerlo.
- Puede notar escamas “que parecen pintura” en el interior de la tapa. Durante el uso, la grasa y los vapores del humo se oxidan lentamente en carbono y se depositan en el interior de su tapa. Cepille la grasa carbonizada del interior de la tapa con un cepillo para asador con cerdas de acero inoxidable. Para minimizar otras acumulaciones, el interior de la tapa se puede limpiar con una toalla de papel después de la cocción mientras el asador aún se encuentra tibio (no caliente).
- Si su asador se encuentra en un ambiente particularmente adverso, querrá limpiar el exterior con más frecuencia. La lluvia ácida, los químicos y el agua salada pueden causar la aparición de óxido superficial. WEBER recomienda limpiar el exterior de su asador con agua tibia y jabón. Continúe con un enjuague y seque cuidadosamente.
- No utilice objetos filosos o limpiadores abrasivos para limpiar las superficies del asador.



Los tiempos de cocción de la carne vacuna y del cordero utilizan la definición del Departamento de Agricultura de Estados Unidos (USDA) de término medio, a menos que se indique lo contrario. Los cortes, el grosor, el peso y los tiempos de cocción tienen por objeto servir como orientación. Los factores como la altitud, el viento y la temperatura exterior pueden afectar los tiempos de cocción.

Visite www.weber.com para obtener recetas y consejos de cocina con el asador.

	Grosor / Peso	Tiempo Aproximado Total de Asado	
CARNE ROJA	Bistec: filete de Nueva York, bife de chorizo, entrecot, chuleta "T-bone," filete mingón (lomo)	¾ de pulgada (1.9 cm) de grosor 1 pulgada (2.5 cm) de grosor 2 pulgadas (5 cm) de grosor	4 a 6 minutos fuego alto directo 6 a 8 minutos fuego alto directo 14 a 18 minutos dorar 6 a 8 minutos a fuego alto directo, y asar entre 8 y 10 minutos a fuego alto indirecto
	Puntas de Costilla	1½ a 2 libras (680 a 907 g), ¾ de pulgada (1.9 cm) de grosor	8 a 10 minutos fuego medio directo
	Fritura de Carne Molida de Res	¾ de pulgada (1.9 cm) de grosor	8 a 10 minutos fuego medio directo
	Lomo	3 a 4 libras (1.36 a 1.81 kg)	45 a 60 minutos 15 minutos a fuego medio directo, y asar entre 30 y 45 minutos a fuego medio indirecto
	Salchichas Bratwurst: fresca	salchicha de 3 onzas (85 g)	20 a 25 minutos fuego bajo directo
CARNE DE CERDO	Chuleta: con o sin hueso	¾ de pulgada (1.9 cm) de grosor 1¼ a 1½ pulgadas (3.17 a 3.81 cm) de grosor	6 a 8 minutos fuego alto directo 10 a 12 minutos dorar 6 minutos a fuego alto directo, y asar entre 4 y 6 minutos a fuego alto indirecto
	Costillas: costillitas, costillas de cerdo	3 a 4 libras (1.36 a 1.81 kg)	1½ a 2 horas fuego medio indirecto
	Costillas: estilo rural, con hueso	3 a 4 libras (1.36 a 1.81 kg)	1½ a 2 horas fuego medio indirecto
	Lomo	1 libra (453 g)	30 minutos dorar 5 minutos a fuego alto directo, y asar 25 minutos a fuego medio indirecto
	Pechuga de Pollo: sin hueso y sin piel	6 a 8 onzas (170 a 226 g)	8 a 12 minutos fuego medio directo
CARNES DE AVE	Musto de Pollo: sin hueso y sin piel	4 onzas (113 g)	8 a 10 minutos fuego medio directo
	Piezas de Pollo: con hueso, variadas	3 a 6 onzas (85 a 170 g)	36 a 40 minutos 6 a 10 minutos a fuego bajo directo, 30 minutos a fuego medio indirecto
	Pollo: entero	4 a 5 libras (1.81 a 2.26 kg)	1 a 1¼ horas fuego medio indirecto
	Gallina de Cornualles de Caza	1½ a 2 libras (680 a 907 g)	60 a 70 minutos fuego medio indirecto
	Pavo: entero, sin relleno	10 a 12 libras (4.53 a 5.44 kg)	2 a 2½ horas fuego medio indirecto
	MARISCOS	Pescado, Filete o Bistec: mero, pargo rojo, salmón, lubina, pez espada y atún	¼ a ½ pulgada (0.63 a 1.27 cm) de grosor 1 a 1¼ pulgadas (2.54 a 3.17 cm) de grosor
Pescado: entero		1 libra (453 g)	15 a 20 minutos fuego medio indirecto
		3 libras (1.36 kg)	30 a 45 minutos fuego medio indirecto
Camarón		1½ onzas (28 g)	2 a 4 minutos fuego alto directo
VEGETALES		Espárragos	½ pulgada (1.27 cm) de diámetro
	Maíz	en la cáscara	25 a 30 minutos fuego medio directo
		sin cáscara	10 a 15 minutos fuego medio directo
	Hongos	shiitake o champiñón	8 a 10 minutos fuego medio directo
		portobello	10 a 15 minutos fuego medio directo
	Cebolla	cortada por la mitad	35 a 40 minutos fuego medio indirecto
		rebanadas de ½ pulgada (1.27 cm)	8 a 12 minutos fuego medio directo
	Papa	entera	45 a 60 minutos fuego medio indirecto
rebanadas de ½ pulgada (1.27 cm)		9 a 11 minutos sancochar 3 minutos, y asar a la parrilla 6 a 8 minutos a fuego medio directo	

Consejos para la cocción

- Cocine los bistecs, los filetes de pescado, los trozos de pollo sin hueso y los vegetales utilizando el método directo durante el tiempo aconsejado en la tabla (o hasta el punto de cocción deseado) y dé vuelta los alimentos una vez, a mitad del tiempo de cocción.
- Cocine los asados, las aves enteras, los trozos de aves con hueso, los pescados enteros y los cortes más gruesos utilizando el método indirecto durante el tiempo recomendado en la tabla (o hasta que un termómetro de lectura instantánea registre la temperatura interna deseada).
- Antes de cortarlos, deje que los asados, los cortes de carne más grandes, las chuletas y los bistecs gruesos descansen de 5 a 10 minutos después de la cocción. La temperatura interna de la carne aumentará de 5 a 10 grados durante este tiempo.
- Para un sabor ahumado adicional, considere agregar astillas o trozos de madera (remojados en agua durante al menos 30 minutos y escurridos) o hierbas frescas hidratadas como romero, tomillo u hojas de laurel. Coloque la madera húmeda o las hierbas directamente sobre los carbones justo antes de comenzar la cocción.
- Descongele los alimentos antes de cocinarlos. Si no lo hace, tenga en cuenta un período de cocción más prolongado si cocina alimentos congelados.

Consejos sobre seguridad alimenticia

- No descongele carne, pescado o aves a temperatura ambiente. Descongele en el refrigerador.
- Lave sus manos cuidadosamente con agua caliente y jabón antes de comenzar a preparar cualquier comida y luego de manipular carne, pescado y aves frescos.
- Nunca coloque los alimentos cocidos sobre el mismo plato en el que estuvieron los alimentos crudos.
- Lave todos los platos y los utensilios de cocina que han estado en contacto con carnes o pescado crudo con agua caliente y jabón y enjuague.

Asegúrese de que los alimentos quepan sobre el asador con la tapa puesta, dejando aproximadamente 1 pulgada (2.54 cm) de espacio entre los alimentos y la tapa.



Le non-respect des indications DANGERS, AVERTISSEMENTS et MISES EN GARDE contenues dans ce mode d'emploi peut entraîner des blessures graves, voire mortelles, ou peut provoquer un incendie ou une explosion, causant des dommages à la propriété.

Veillez lire toutes les consignes de sécurité figurant dans ce mode d'emploi avant d'utiliser ce gril.

DANGERS

- ⚠ Ne pas utiliser à l'intérieur! Ce gril est conçu pour une utilisation à l'extérieur dans un endroit bien ventilé et n'est pas prévu pour servir de chauffage et ne doit jamais être utilisé comme tel. S'il est utilisé à l'intérieur, des fumées toxiques vont s'accumuler et causer des lésions corporelles graves, voire mortelles.
- ⚠ Ne pas utiliser dans un garage, un bâtiment, un passage recouvert ou tout autre espace fermé.
- ⚠ Ne pas utiliser d'essence, d'alcool ou autres liquides extrêmement volatils pour allumer le charbon de bois. Si vous utilisez un allume-feu liquide (non recommandé), retirez tout liquide qui pourrait avoir drainé par les sorties d'air du récipient avant d'allumer le charbon de bois.
- ⚠ N'ajoutez pas d'allume-feu liquide ou de charbon de bois déjà imprégné d'allume-feu liquide à du charbon de bois chaud ou tiède. Refermez le récipient d'allume-feu liquide après utilisation et placez-le à une distance suffisamment éloignée du gril.
- ⚠ Gardez la zone de cuisson dégagée de vapeurs et de liquides inflammables tels que l'essence, l'alcool, etc., et les matériaux combustibles.

AVERTISSEMENTS

- ⚠ N'utilisez pas ce gril à moins que toutes les pièces soient en place. Assurez-vous de suivre les instructions d'assemblage pour assembler correctement ce gril. Un assemblage incorrect peut être dangereux.
- ⚠ N'utilisez jamais le gril sans que le réceptacle à cendres ne soit installé.
- ⚠ N'utilisez pas ce gril sous toute construction combustible se situant au-dessus de votre tête.
- ⚠ La consommation d'alcool ou de médicaments, qu'ils soient sur ordonnance ou non, peut altérer l'aptitude de l'utilisateur à assembler ou à utiliser le gril en toute sécurité.
- ⚠ Faites preuve de prudence lorsque vous utilisez votre gril. Celui-ci sera chaud pendant la cuisson ou le nettoyage et il ne doit jamais être laissé sans surveillance.
- ⚠ Ce gril devient très chaud, ne le déplacez pas durant l'opération.
- ⚠ Tenez les enfants et les animaux de compagnie éloignés du gril.
- ⚠ Ce gril WEBER n'est pas prévu pour être installé dans ou sur des véhicules et/ou des bateaux de plaisance.
- ⚠ N'utilisez pas ce gril à moins de 1,5 mètre (5 pieds) de toute matière combustible. Les matériaux combustibles incluent, mais sans s'y limiter, les terrasses, les patios et les vérandas en bois ou en bois traité.
- ⚠ Conservez le gril sur une surface sécurisée et plane en permanence, exempte de toute matière combustible.
- ⚠ Ne placez pas le gril sur le verre ou sur une surface combustible.
- ⚠ N'utilisez pas le gril par grand vent.
- ⚠ Ne portez pas de vêtements à manches flottantes lorsque vous allumez ou utilisez le gril.
- ⚠ Ne touchez jamais la grille de cuisson ou de charbon de bois, les cendres, le charbon de bois ou le gril pour voir s'ils sont chauds.
- ⚠ Éteignez le charbon de bois après la cuisson. Pour l'éteindre, fermez les sorties d'air et le registre du couvercle et placez le couvercle sur le récipient.
- ⚠ Utilisez des gants ou des mitaines pour barbecue résistants à la chaleur lorsque vous effectuez les opérations suivantes : la cuisson, l'ajustement des sorties d'air (registres), l'ajout du charbon de bois et la manipulation du thermomètre ou du couvercle.
- ⚠ Utilisez des outils appropriés avec des poignées longues résistantes à la chaleur.
- ⚠ Mettez toujours le charbon de bois sur le dessus de la grille (basse) de charbon de bois. Ne mettez pas de charbon de bois directement dans le fond du récipient.
- ⚠ Ne vous appuyez pas sur le bord de la table et ne le surchargez pas.
- ⚠ N'utilisez pas le support de couvercle TUCK-AWAY comme poignée pour soulever ou déplacer le gril.

- ⚠ Ne suspendez pas le couvercle sur la poignée du récipient.
- ⚠ Ne jetez jamais le charbon de bois chaud à un endroit où on pourrait marcher dessus ou là où il pourrait provoquer un incendie. Ne jetez jamais les cendres ou le charbon de bois avant qu'ils ne soient complètement éteints.
- ⚠ Ne rangez pas le gril avant que les cendres ou le charbon de bois ne soient complètement éteints.
- ⚠ N'enlevez jamais les cendres avant que le charbon de bois ne soit complètement consommé et éteint et que le gril n'ait refroidi.
- ⚠ Tenez les fils et les câbles électriques éloignés des surfaces chaudes du gril et des zones très fréquentées.

MISES EN GARDE

- ⚠ N'utilisez pas d'eau pour contrôler les poussées de flamme ou pour éteindre le charbon de bois.
- ⚠ Doubler les parois du récipient avec du papier aluminium empêche l'air de circuler correctement. Utilisez plutôt une lèchefrite pour recueillir les gouttes provenant de la viande lors de la cuisson avec la méthode indirecte.
- ⚠ Assurez-vous de vérifier régulièrement que les brosses du gril ne perdent pas de poils et qu'elles ne sont pas usées. Remplacez la brosse si vous constatez que des poils se sont détachés et se trouvent sur la grille ou le pinceau de cuisson. WEBER recommande d'acheter une nouvelle brosse en inox pour gril au début de chaque printemps.

PROPOSITION 65 DE LA CALIFORNIE

- ⚠ AVERTISSEMENT : Les sous-produits de combustion qui se dégagent lors de l'utilisation de ce produit contiennent des produits chimiques que l'État de la Californie reconnaît comme pouvant causer le cancer, des anomalies congénitales ou d'autres effets nuisibles sur la reproduction.
- ⚠ AVERTISSEMENT : Cet article peut vous exposer à des produits chimiques comme le nickel, qui est reconnu par l'État de la Californie pour causer le cancer. Pour obtenir de plus amples renseignements, rendez-vous sur www.p65warnings.ca.gov (en anglais seulement).



Garantie limitée

Merci d'avoir acheté un produit WEBER. Weber-Stephen Products LLC, 1415 S. Roselle Road, Palatine, Illinois 60067 (ci-après « WEBER ») est fière d'offrir un produit sécuritaire, durable et fiable.

Cette garantie limitée (ci-après « garantie ») de WEBER vous est offerte sans frais supplémentaires. Elle comprend des renseignements dont vous aurez besoin pour faire réparer votre produit WEBER dans le cas improbable d'une défaillance ou d'un défaut.

Conformément aux lois applicables, le client dispose de plusieurs droits si le produit est défectueux. Ces droits comprennent la réparation des défauts ou le remplacement, la réduction du prix d'achat et une indemnisation. Ces droits et les autres droits légaux ne sont pas touchés par cette disposition de la garantie. De fait, cette garantie confère des droits supplémentaires au propriétaire, indépendamment des dispositions de garantie légale.

GARANTIE LIMITÉE DE WEBER

WEBER garantit à l'acheteur du produit WEBER (ou, dans le cas d'un cadeau ou d'une situation promotionnelle, à la personne pour laquelle il a été acheté comme cadeau ou article promotionnel) (ci-après « propriétaire ») que le produit WEBER ne comporte pas de défauts de matériaux ou de fabrication pour la ou les périodes spécifiées ci-après s'il est assemblé et utilisé conformément au Guide d'utilisation ci-joint. (Remarque : Si vous perdez votre Guide d'utilisation WEBER, vous pouvez vous en procurer une copie en ligne sur www.weber.com.) En vertu de cette garantie, WEBER accepte de réparer ou remplacer la pièce défectueuse en raison d'un vice de matériaux ou de fabrication, soumis aux restrictions et exclusions applicables énumérées ci-dessous. **DANS LES LIMITES PRÉVUES PAR LA LOI APPLICABLE, LA PRÉSENTE GARANTIE N'EST OFFERTE QU'AU PREMIER ACHETEUR ET ELLE N'EST PAS TRANSFÉRABLE AUX PROPRIÉTAIRES SUBSÉQUENTS, SAUF EN CAS DE CADEAUX ET D'ARTICLES PROMOTIONNELS COMME IL A ÉTÉ MENTIONNÉ CI-DESSUS.**

Webster est fier de ses produits et vous offre la garantie décrite pour les vices de matériaux sur la grille ou toutes ses composantes, à l'exception de l'usure normale.

• « L'usure normale » inclut la détérioration cosmétique ou toute autre détérioration découlant de l'utilisation de votre barbecue, tels que la rouille, les entailles et rayures, etc.

Cependant, WEBER honorera cette garantie pour le barbecue ou ses pièces lorsque le dommage ou le dysfonctionnement résulte d'un défaut matériel.

• Les « vices de matériaux » incluent la rouille ou la brûlure de certaines pièces, ou encore tout autre dommage ou toute autre défaillance pouvant affecter votre capacité à utiliser votre barbecue correctement ou en toute sécurité.

RESPONSABILITÉS DU PROPRIÉTAIRE EN VERTU DE LA PRÉSENTE GARANTIE

Pour éviter tout problème lié à la garantie, il est important (mais non obligatoire) d'enregistrer votre produit WEBER en ligne sur www.weber.com. Veuillez également conserver votre facture d'achat. L'enregistrement de votre produit WEBER confirme votre couverture de garantie et instaure un lien direct entre vous et WEBER au cas où nous devrions communiquer avec vous. Si vous n'avez pas eu le temps d'enregistrer votre barbecue avant de communiquer avec le service de garantie, veuillez avoir sous la main les informations suivantes pendant tout appel :

Nom - Adresse - Numéro de téléphone - Courriel - Numéro de série - Date d'achat - Détaillant - Modèle - Couleur - Principal problème
La garantie ci-dessus s'applique uniquement si le propriétaire prend raisonnablement soin du produit WEBER en suivant les consignes d'assemblage, d'utilisation et d'entretien préventif décrites dans le Guide d'utilisation, sauf si le propriétaire peut prouver que la défaillance ou le défaut est survenu indépendamment du non-respect des obligations mentionnées ci-dessus. Si vous habitez une région côtière ou que votre produit est placé près d'une piscine, un nettoyage et un rinçage réguliers des surfaces extérieures font également partie de l'entretien normal, comme expliqué dans le Guide d'utilisation inclus.

GESTION DE LA GARANTIE / EXCLUSION DE LA GARANTIE

Si vous croyez qu'une pièce est couverte par cette garantie, veuillez communiquer avec le service clients WEBER aux coordonnées indiquées sur notre site Web (www.weber.com) ou sur le site Web d'un pays vers lequel le propriétaire peut être redirigé). Après enquête, Weber réparera ou remplacera (à sa discrétion) toute pièce défectueuse couverte par cette garantie. Si la réparation ou le remplacement est impossible, Weber peut choisir (à sa discrétion) de remplacer le barbecue en question par un nouveau, de valeur égale ou supérieure. WEBER peut vous demander de retourner les pièces pour inspection.

Les frais d'expédition doivent être prépayés par le propriétaire. Veuillez avoir à portée de main les renseignements suivants lorsque vous communiquez avec le service à la clientèle :

Nom - Adresse - Numéro de téléphone - Courriel - Numéro de série - Date d'achat - Détaillant - Modèle - Couleur - Principal problème

Cette GARANTIE est annulée en cas de dommage, de détérioration, de décoloration ou de rouille, hors de la responsabilité de WEBER, causés par :

- L'utilisation abusive, la modification, le mauvais usage, le vandalisme, la négligence, un assemblage ou une installation inadéquats ou toute négligence concernant l'entretien régulier;
- des insectes (comme des araignées) et des rongeurs (comme des écureuils), comprenant, sans s'y limiter, tout dommage aux tuyaux du brûleur ou flexibles de gaz;
- l'exposition à l'air salin ou à des sources de chlore comme des piscines, jacuzzis et spas;
- des conditions météorologiques extrêmes comme la grêle, un ouragan, un séisme, un tsunami, un raz-de-marée, une tornade ou un orage violent.
- Les pluies acides et d'autres facteurs environnementaux.

L'utilisation de pièces tierces n'annule pas cette garantie. Toutefois, toute pièce utilisée ou installée sur votre produit WEBER qui n'est pas une pièce d'origine WEBER n'est pas couverte par cette garantie. En outre, tout dommage résultant de l'utilisation ou de l'installation de pièces sur votre produit WEBER qui ne sont pas des pièces d'origine WEBER n'est pas couvert par cette garantie. Toute conversion d'un barbecue au gaz non autorisée par WEBER et non effectuée par un technicien autorisé par WEBER annulera cette garantie.

PÉRIODES DE GARANTIE DU PRODUIT

Bol, couvercle et anneau central :
10 ans contre la perforation par rouille/brûlage

Système de nettoyage ONE-TOUCH :
5 ans contre la perforation par rouille/brûlage

Composants en plastique :
5 ans, excluant la dégradation ou la décoloration

Toutes les autres pièces :
2 ans

AVIS DE NON-RESPONSABILITÉ

À L'EXCEPTION DE LA GARANTIE ET DES AVIS DE NON-RESPONSABILITÉ DÉCRITS DANS LA PRÉSENTE DÉCLARATION DE GARANTIE, IL N'Y A EXPRESSÉMENT AUCUNE AUTRE GARANTIE NI DÉCLARATION VOLONTAIRE DE RESPONSABILITÉ ALLANT AU-DELÀ DES OBLIGATIONS LÉGALES S'APPLIQUANT À WEBER. LA PRÉSENTE DÉCLARATION DE GARANTIE NE LIMITE PAS ET N'EXCLUT PAS LES SITUATIONS OU RÉCLAMATIONS POUR LESQUELLES WEBER A UNE RESPONSABILITÉ OBLIGATOIRE EN VERTU DE LA LÉGISLATION. AUCUNE GARANTIE NE S'APPLIQUERA APRÈS LA DURÉE D'APPLICATION DE CETTE GARANTIE. WEBER N'EST ENGAGÉE PAR AUCUNE AUTRE GARANTIE FOURNIE PAR UN TIERS, Y COMPRIS UN CONCESSIONNAIRE OU REVENDEUR, EN LIEN AVEC TOUT PRODUIT (COMME UNE « GARANTIE PROLONGÉE »). LA RÉPARATION OU LE REMPLACEMENT D'UNE PIÈCE OU DU PRODUIT CONSTITUE LE RECOURS EXCLUSIF PERMIS DANS LE CADRE DE LA PRÉSENTE GARANTIE. LA VALEUR DE TOUT REMPLACEMENT OU DE TOUTE RÉPARATION AU TITRE DE CETTE GARANTIE NE SERA EN AUCUN CAS SUPÉRIEURE AU PRIX D'ACHAT DU PRODUIT WEBER VENDU.

VOUS ASSUMEZ LES RISQUES ET LA RESPONSABILITÉ EN CAS DE PERTE, DE DOMMAGE OU DE BLESSURE VOUS TOUCHANT VOUS OU VOS BIENS OU LES AUTRES ET LEURS BIENS CAUSÉ PAR UNE MAUVAISE UTILISATION OU UNE UTILISATION ABUSIVE DU PRODUIT OU LE NON-RESPECT DES INSTRUCTIONS FOURNIES PAR WEBER DANS LE GUIDE D'UTILISATION FOURNI. LES PIÈCES ET LES ACCESSOIRES REMPLACÉS DANS LE CADRE DE LA PRÉSENTE GARANTIE SONT GARANTIS UNIQUEMENT POUR LA OU LES PÉRIODES RESTANTES DE GARANTIE D'ORIGINE MENTIONNÉES CI-DESSUS.

LA PRÉSENTE GARANTIE S'APPLIQUE UNIQUEMENT AUX PRODUITS UTILISÉS PAR UNE SEULE FAMILLE EN MAISON OU EN APPARTEMENT. ELLE NE S'APPLIQUE PAS AUX BARBECUES WEBER UTILISÉS PAR PLUSIEURS FAMILLES NI À CEUX UTILISÉS DANS UN CONTEXTE COMMERCIAL OU COMMUNAUTAIRE, COMME DANS DES RESTAURANTS, DES HÔTELS, DES CENTRES DE VILLÉGIATURE OU DES PROPRIÉTÉS EN LOCATION. WEBER PEUT PARFOIS MODIFIER LA CONCEPTION DE SES PRODUITS. AUCUN RENSEIGNEMENT COMPRIS DANS LA PRÉSENTE GARANTIE NE DOIT ÊTRE PERÇU COMME OBLIGEANT WEBER À INTÉGRER CES CHANGEMENTS DE CONCEPTION AUX PRODUITS FABRIQUÉS PRÉCÉDEMMENT. EN OUTRE, AUCUN CHANGEMENT NE DOIT ÊTRE PERÇU COMME UN AVEU DE DÉFECTUOSITÉ DANS LES CONCEPTIONS PRÉCÉDENTES.

Weber-Stephen Products LLC
Centre de service clients
1415 S. Roselle Road
Palatine, IL 60067
États-Unis

Pour obtenir des pièces de rechange, composez le :
1 800 446-1071

Table des Matières

SÉCURITÉ	22
GARANTIE	23
SYSTÈME DE CUISSON	24
CARACTÉRISTIQUES SPÉCIALES DU GRIL À CHARBON DE BOIS	25
AVANT DE L'ALLUMAGE	26
ALLUMAGE DU CHARBON DE BOIS	27
MÉTHODES DE CUISSON	28
CONSEILS ET ASTUCES POUR UNE CUISSON RÉUSSIE	30
GUIDE DE CUISSON	31

Pièces de rechange

Si vous avez besoin de pièces de rechange ou si vous avez des questions concernant l'assemblage, l'utilisation ou l'entretien de votre gril, veuillez communiquer avec le service à la clientèle de WEBER.

Pour les achats effectués aux États-Unis et au Canada
1-800-446-1071

Pour les achats effectués au Mexique
01800-00-WEBER [93237] poste 105



Une intense réflexion a été mise en œuvre lors de la conception de votre gril à charbon de bois WEBER. Nous concevons nos grils de façon à ce que vous n'ayez jamais à vous soucier des poussées de flamme, des aliments brûlés ou encore chauds à certains endroits et froids à d'autres. Attendez-vous à l'excellence en matière de rendement, de contrôle et résultats à chaque utilisation.

A Récipient et couvercle

Chaque gril à charbon de bois WEBER se compose d'un récipient et d'un couvercle en acier émaillé de porcelaine cuit au four. Il s'agit là d'un point important qui marque la fin de l'écaillage. La surface réfléchissante permet la cuisson par convection, afin que la chaleur rayonne autour des aliments tout comme le ferait un four de cuisine, pour vous offrir des résultats de cuisson homogènes.

B Registres et sorties d'air

L'air est un facteur important dans la cuisson au charbon de bois. Plus vous faites entrer d'air dans le gril, plus la chaleur du feu et la fréquence de réapprovisionnement augmentent (jusqu'à un certain point). Par conséquent, pour réduire le réapprovisionnement, maintenez autant que possible le couvercle fermé. Les sorties d'air du récipient situées en bas du gril doivent être laissées ouvertes à chaque utilisation. Toutefois, pour ralentir le taux de combustion de votre feu, fermez le registre du couvercle à moitié.

C Grille de cuisson

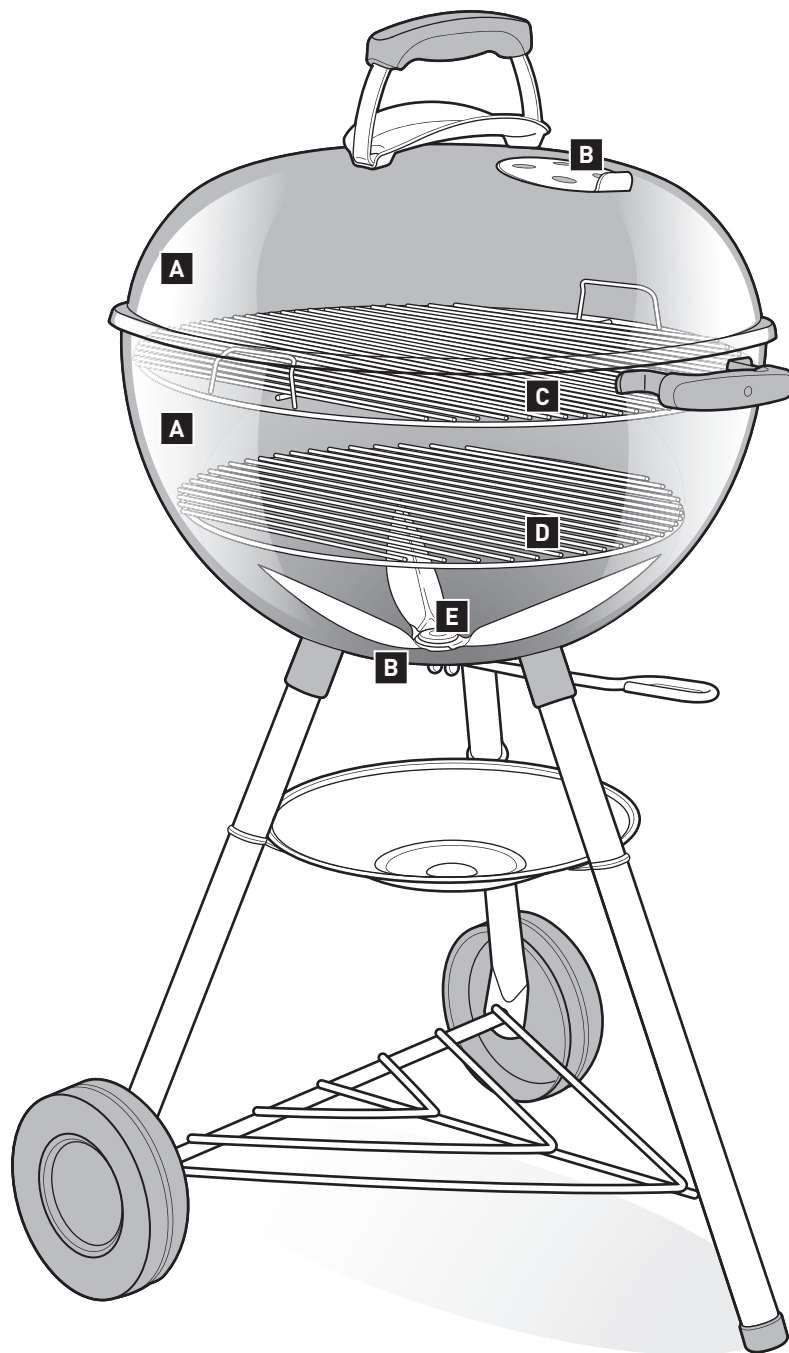
Composée d'acier plaqué à haute résistance, la grille de cuisson offre un vaste espace pour préparer tous vos repas favoris.

D Grille à charbon de bois

La grille à charbon de bois est conçue pour résister à la chaleur de tout type de feu au charbon de bois. Composée d'acier robuste, cette grille résiste aux déformations et aux brûlures. En outre, elle vous offre suffisamment d'espace pour une cuisson directe ou indirecte, avec la souplesse nécessaire pour cuire comme vous le souhaitez.

E Système de nettoyage ONE-TOUCH

Le système de nettoyage ONE-TOUCH vous libère des tracas liés au nettoyage. Lorsque vous déplacez la poignée en avant et en arrière, les trois pales situées dans le récipient déplacent des cendres du fond de la grille vers le réceptacle à cendres. Ces mêmes sorties d'air agissent comme un registre de récipient, pour aider à alimenter le feu en oxygène ou pour vous permettre de l'éteindre facilement.

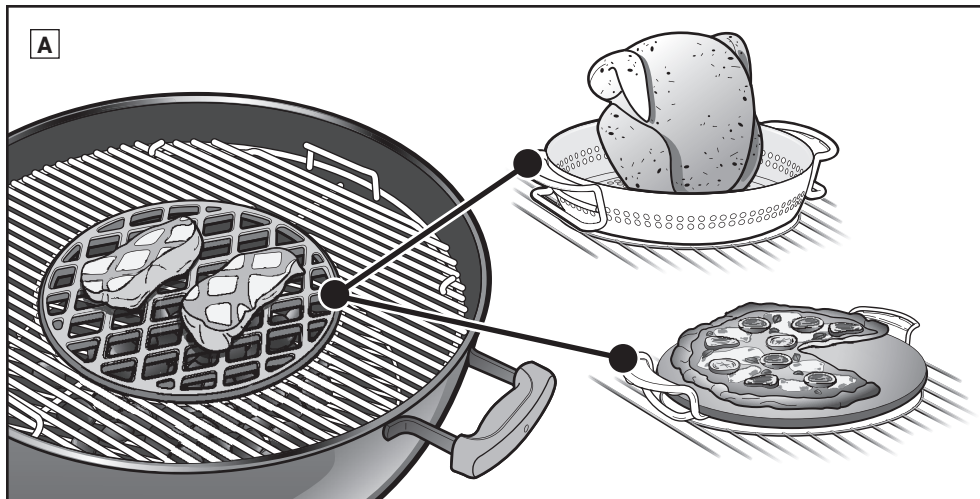




Selon le modèle que vous avez acheté, il se peut que votre gril soit équipé ou non des caractéristiques décrites sur cette page.

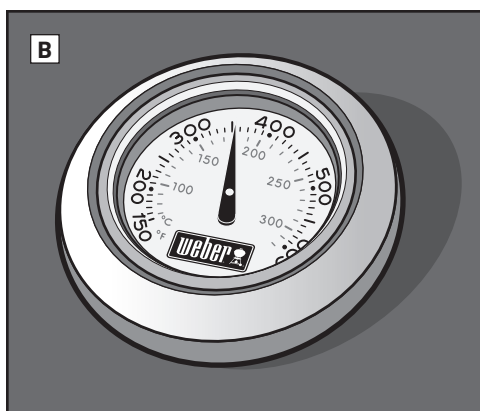
A GOURMET BBQ SYSTEM

Votre grille de cuisson peut être équipée d'une zone centrale spéciale amovible. Cette fonctionnalité vous permet de rajouter facilement des accessoires WEBER GOURMET BBQ SYSTEM à insérer comme une pierre à pizza, un wok, une plaque à frire, une plancha, une rôtissoire, un poêlon à aebleskiver ou un barbecue coréen (vendus séparément). Chaque option vous offre des possibilités illimitées pour essayer de nouvelles recettes.



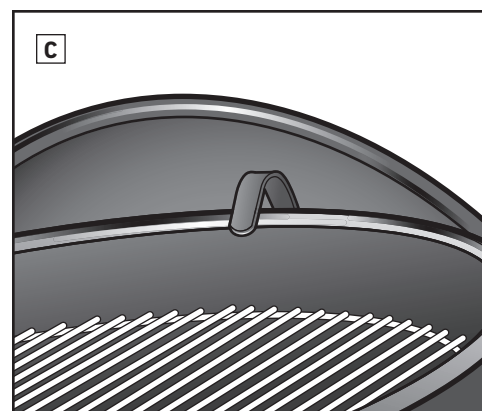
B Thermomètre intégré

Un thermomètre durable et intégré dans le couvercle permet de contrôler facilement la température de votre gril.



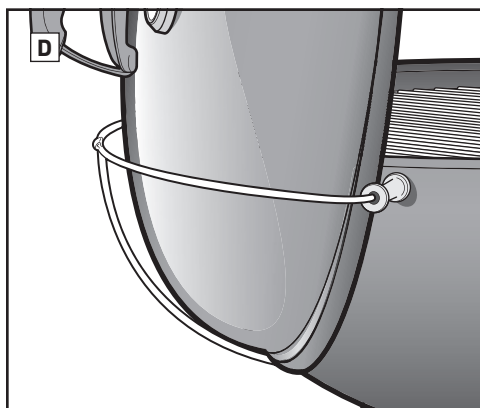
C Crochet de couvercle

L'intérieur du gril est équipé d'un crochet de couvercle incliné. Il vous suffit de faire coulisser le couvercle sur le côté et de le suspendre au récipient.



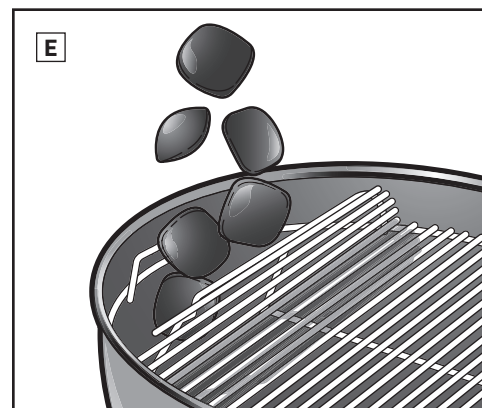
D Support de couvercle TUCK-AWAY

Le support de couvercle TUCK-AWAY permet de déplacer facilement votre couvercle sur le côté pour vérifier la cuisson de vos aliments ou ajouter du charbon de bois.



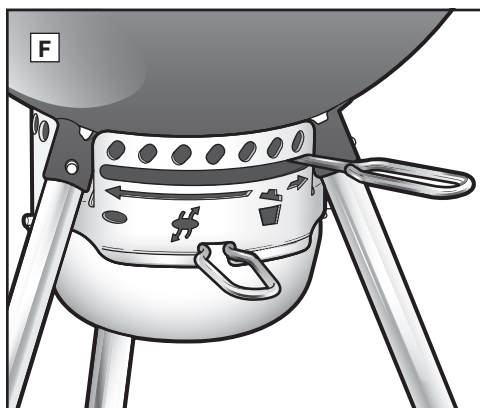
E Grille de cuisson à charnières

La grille à charnières comporte une zone de chaque côté qui se soulève pour vous permettre d'ajouter facilement du combustible.



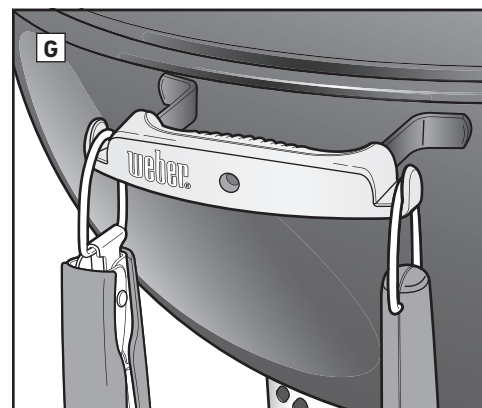
F Réceptacle à cendres de grande capacité

Le réceptacle à cendres entièrement clos de grande capacité empêche les cendres de s'envoler et se retire facilement pour procéder à un nettoyage rapide et propre.



G Poignée porte-ustensiles

La poignée dispose de crochets intégrés vous permettant de suspendre vos ustensiles de manière très pratique.





AVANT DE L'ALLUMAGE

Choisir un emplacement approprié pour le grill

- Utilisez ce grill uniquement à l'extérieur dans un endroit bien aéré. N'utilisez pas le grill dans un garage, un immeuble, un passage recouvert, ou tout autre espace fermé.
- Gardez le grill sur une surface sécurisée et plane en permanence.
- N'utilisez pas le grill à moins de 1,5 mètre (5 pieds) de toute matière combustible. Les matériaux combustibles incluent, mais sans s'y limiter, les vérandas, les patios et les terrasses en bois ou en bois traité.

Choisir la quantité de charbon de bois à utiliser

Le choix de la quantité de charbon de bois dépend de ce que vous faites griller et de la taille de votre grill. Si vous faites griller des morceaux d'aliments petits et tendres qui prennent moins de 20 minutes à cuire, reportez-vous au tableau **Quantité de charbon de bois nécessaire à la cuisson directe**.

Si vous faites griller de plus gros morceaux de viande qui nécessitent 20 minutes de cuisson sur le grill ou plus, ou des mets délicats, reportez-vous au tableau **Quantité de charbon de bois nécessaire à la cuisson indirecte**. Pour plus de détails sur la différence entre la cuisson directe et indirecte, reportez-vous à la section **MÉTHODES DE CUISSON SUR LE GRILL**.

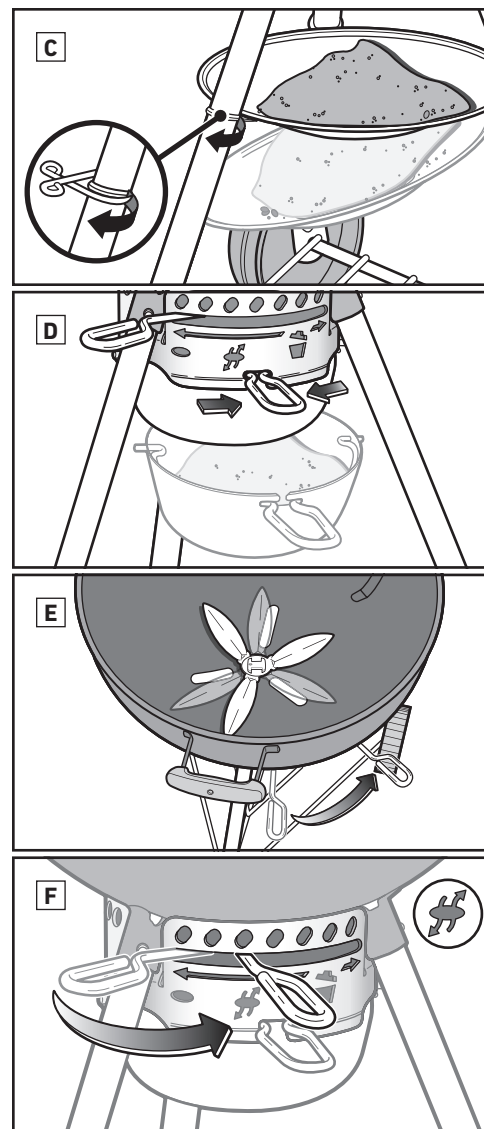
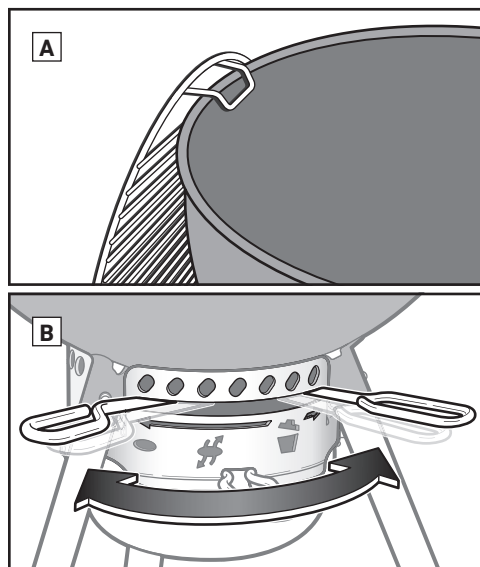
Le charbon de bois dure généralement une heure avant d'être complètement consommé et prêt à être remplacé.

Préparer le grill pour l'allumage

1. Retirez le couvercle et placez-le sur le côté de votre grill à l'aide du crochet du couvercle situé à l'intérieur du couvercle ou du support pour couvercle TUCK-AWAY (en fonction du modèle de votre grill).
2. Retirez la grille de cuisson (celle du haut) de votre grill. Pour plus de commodité, accrochez la grille de cuisson sur le récipient, le panneau arrière ou le cadre de votre grill par sa poignée courbée (une fonctionnalité disponible sur certains de nos grills) (A). Si votre grill est livré avec la grille de cuisson GOURMET BBQ SYSTEM, enlevez d'abord la partie centrale détachable, puis la grille de cuisson entière du grill.
3. Retirez la grille pour le charbon de bois (celle du bas) et enlevez les cendres ou les gros morceaux de vieux charbon de bois accumulés au fond du récipient. Le charbon de bois a besoin d'oxygène pour brûler; assurez-vous que rien n'obstrue les sorties d'air. Pour les grills dotés d'un système de nettoyage ONE-TOUCH, bougez la poignée dans les deux sens pour déplacer les cendres du fond du grill vers le réceptacle à cendres (B).
4. Si votre grill dispose d'un réceptacle à cendres standard, dégagez la barrette du pied pour le retirer (C) puis jetez les cendres. Si votre grill dispose d'une grande capacité de réceptacle à cendres, serrez la poignée de du réceptacle à cendres pour le dégager du grill (D).

5. Ouvrez le récipient en déplaçant la poignée complètement vers la droite (E) ou en la déplaçant vers la position ouverte (F) (en fonction du modèle de votre grill).
6. Remettez la grille pour le charbon de bois (celle du bas) en place.

Remarque : les instructions d'utilisation de l'essence pour briquettes ont été délibérément écartées de ce mode d'emploi. L'essence pour briquettes est salissante et peut transmettre un goût chimique à vos aliments, ce qui n'est pas le cas avec les cubes allume-feux (vendus séparément). Si vous choisissez d'utiliser de l'essence pour briquettes, suivez les instructions du fabricant et n'en ajoutez JAMAIS sur un feu brûlant.



Quantité de charbon de bois nécessaire à la cuisson directe

Hamburgers, steaks, côtelettes, kebabs, morceaux de poulet désossé, filets de poisson, mollusques et crustacés, légumes en tranches

Diamètre du grill	Briquettes Weber nécessaires	Briquettes de charbon nécessaires
47 cm (18 po)	30	40
57 cm (22 po)	40	50
67 cm (26 po)	65	80
95 cm (37 po)	115	150

Quantité de charbon de bois nécessaire à la cuisson indirecte

Rôtis, morceaux de volaille avec os, poissons entiers, filets de poisson délicats, dindes ou poulets entiers, côtes levées

Diamètre du grill	Briquettes Weber nécessaires pour la première heure	Briquettes Weber nécessaires pour chaque heure supplémentaire	Briquettes de charbon nécessaires pour la première heure	Briquettes de charbon à ajouter pour chaque heure supplémentaire
47 cm (18 po)	10 de chaque côté	5 de chaque côté	20 de chaque côté	7 de chaque côté
57 cm (22 po)	15 de chaque côté	7 de chaque côté	25 de chaque côté	8 de chaque côté
67 cm (26 po)	25 de chaque côté	8 de chaque côté	40 de chaque côté	9 de chaque côté
95 cm (37 po)	45 de chaque côté	18 de chaque côté	75 de chaque côté	22 de chaque côté



Allumer le charbon de bois à l'aide d'une chambre d'allumage

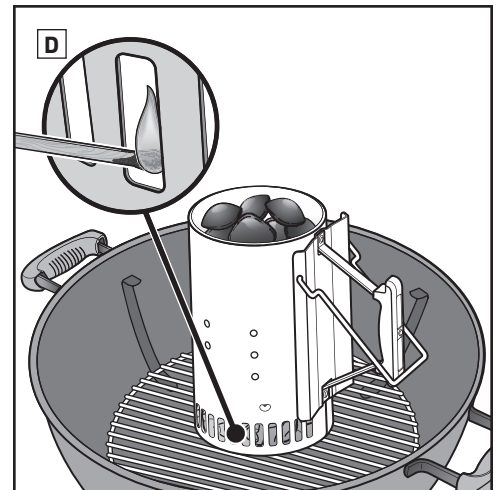
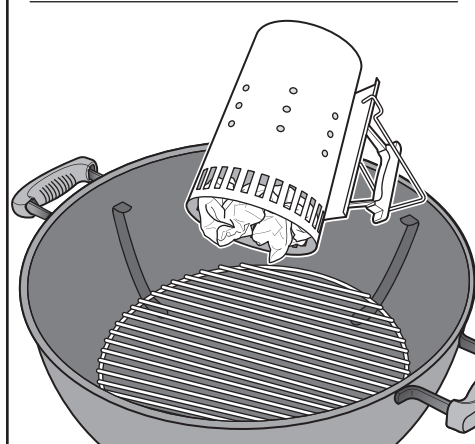
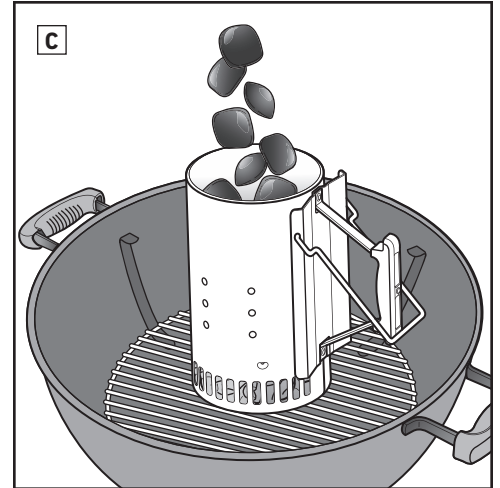
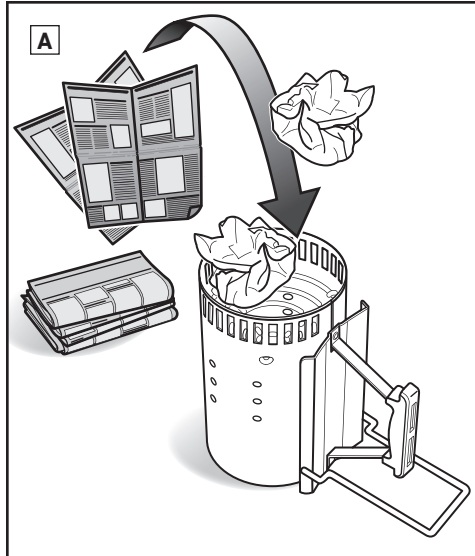
Le moyen le plus simple et le plus minutieux pour allumer tout type de charbon de bois est d'utiliser une chambre d'allumage, notamment la chambre d'allumage RAPIDFIRE de WEBER (vendue séparément). Reportez-vous aux mises en garde et aux avertissements inclus avec la chambre d'allumage RAPIDFIRE avant d'allumer le charbon de bois.

1. Mettez quelques boules de papier journal au fond de la chambre d'allumage et placez cette dernière sur la grille pour le charbon de bois (A); ou mettez quelques cubes allume-feu au centre de la grille à charbon de bois et placez la chambre d'allumage par-dessus (B).
2. Remplissez la chambre d'allumage avec du charbon de bois (C).
3. Allumez les cubes allume-feu ou les journaux à travers les trous se trouvant sur le côté de la chambre d'allumage (D).

4. Maintenez la chambre d'allumage en place jusqu'à ce que le charbon de bois soit complètement allumé. Le charbon de bois est complètement allumé quand il est recouvert d'une fine couche de cendre blanche. Cela peut prendre de 15 à 20 minutes.

Remarque : les cubes allume-feu utilisés doivent être complètement consommés et les charbons cendreux avant de placer les aliments sur la grille.

5. Une fois le charbon de bois complètement allumé, poursuivez avec les pages suivantes pour savoir comment le disposer et commencer la cuisson en fonction de votre méthode de cuisson souhaitée (méthode directe ou indirecte).

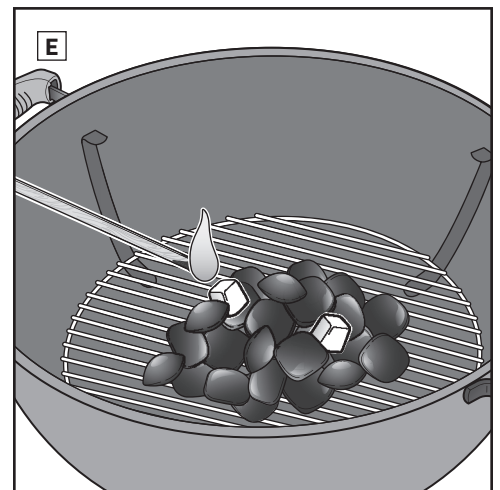
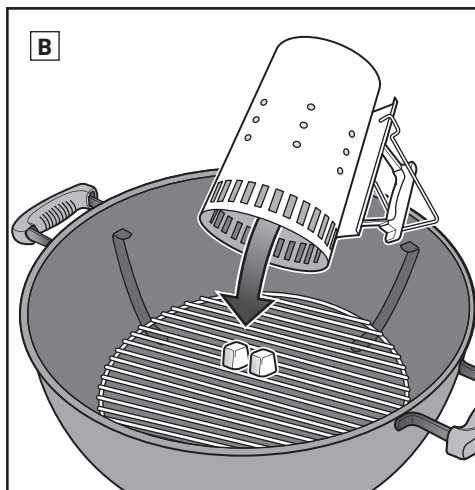


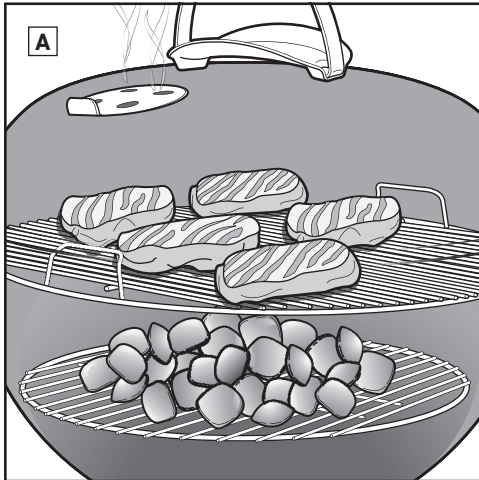
Allumer le charbon de bois à l'aide de cubes allume-feu

1. Faites une pyramide de charbon de bois au centre de la grille à charbon de bois (celle du bas) et insérez quelques cubes allume-feu (vendus séparément) dans la pyramide (E).
2. À l'aide d'une longue allumette ou d'un briquet, allumez les cubes allume-feu. Les cubes allume-feu allumeront ensuite le charbon de bois.
3. Attendez que le charbon de bois soit complètement allumé. Le charbon de bois est complètement allumé quand il est recouvert d'une fine couche de cendre blanche. Cela peut prendre de 15 à 30 minutes.

Remarque : les cubes allume-feu utilisés doivent être complètement consommés et les charbons cendreux avant de placer les aliments sur la grille.

4. Une fois le charbon de bois complètement allumé, poursuivez avec les pages suivantes pour savoir comment le disposer et commencer la cuisson en fonction de votre méthode de cuisson souhaitée (méthode directe ou indirecte).





Positionner le charbon de bois pour la chaleur directe

1. Mettez des gants ou des mitaines pour barbecue.
2. Une fois le charbon de bois entièrement allumé, étalez-le uniformément dans la grille de charbon de bois avec une longue pince (B).
3. Remettez la grille de cuisson.
4. Placez le couvercle sur le grill.
5. Ouvrez le registre du couvercle (C).
6. Préchauffez la grille pendant environ 10 à 15 minutes.
7. Une fois la grille de cuisson préchauffée, nettoyez-la à l'aide d'une brosse en inox pour grill (D).

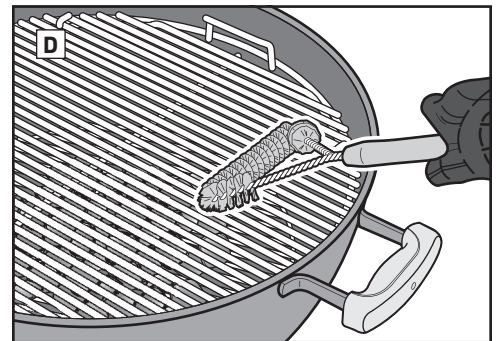
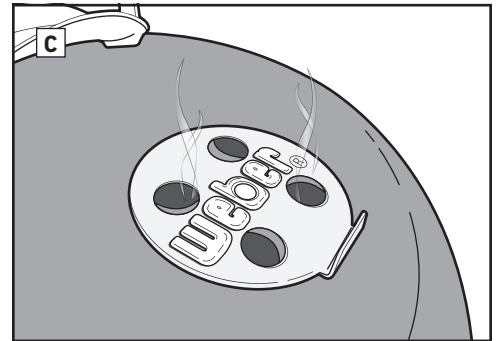
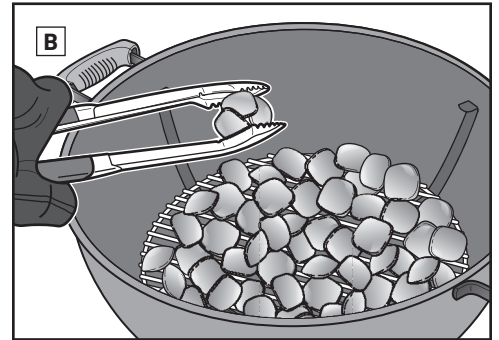
Remarque : utilisez une brosse en inox pour grill. Remplacez la brosse si vous constatez que des poils se sont détachés et se trouvent sur la grille ou le pinceau de cuisson.

8. Ouvrez le couvercle et placez vos aliments sur la grille.
9. Placez le couvercle sur le grill. Consultez la recette pour connaître le temps de cuisson recommandé.

Remarque : lorsque vous retirez le couvercle du grill pendant la cuisson, soulevez-le sur le côté plutôt que droit vers le haut. Soulever le couvercle droit vers le haut peut créer un effet d'aspiration et faire voler les cendres sur votre nourriture.

Après la cuisson...

Fermez le registre du couvercle et les sorties d'air du récipient pour éteindre le charbon de bois.



Griller à chaleur directe

Utilisez la méthode directe pour les morceaux d'aliments les plus petits et les plus tendres qui prennent moins de 20 minutes à cuire, tels que :

- Les hamburgers
- Les steaks
- Les côtelettes
- Les kebabs
- Les morceaux de poulet désossés
- Les filets de poisson
- Les mollusques et crustacés
- Les légumes en tranches

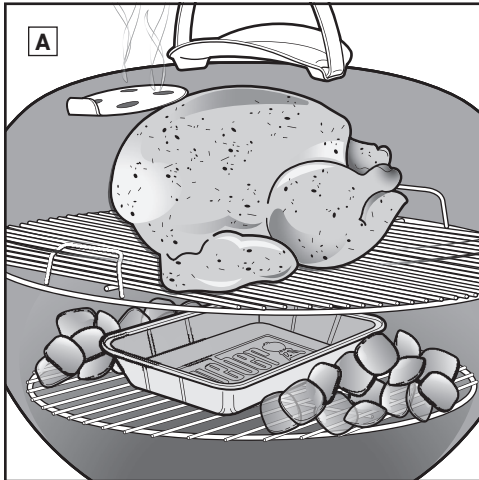
Avec la chaleur directe, le feu est directement sous la nourriture (A). Il saisit les surfaces de la nourriture et permet de développer les saveurs, la texture et une délicieuse caramélisation tout en cuisant complètement les aliments jusqu'au centre.

Un feu direct crée une chaleur à la fois rayonnante et conductrice. La chaleur rayonnante du charbon de bois cuit rapidement la surface des aliments les plus proches de celui-ci. Par ailleurs, le feu chauffe les tiges de la grille de cuisson, ce qui conduit directement la chaleur vers la surface des aliments et crée ces belles marques de grill, si caractéristiques.

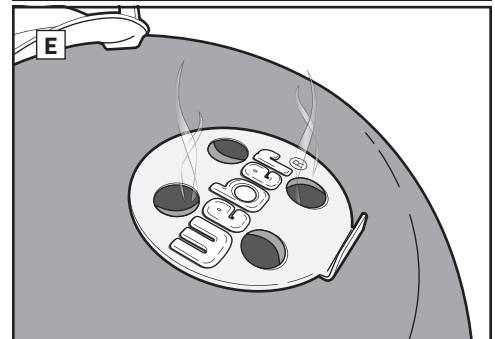
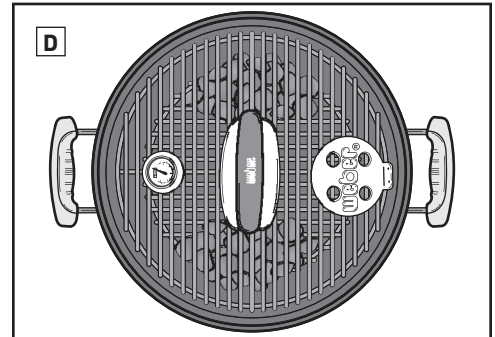
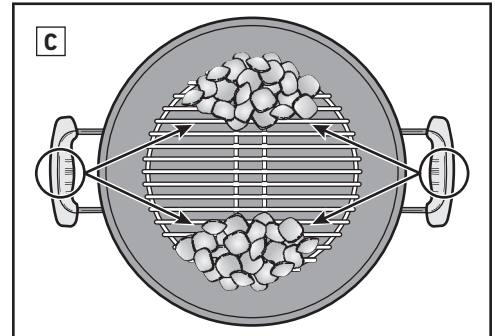
Quantité de charbon de bois nécessaire à la cuisson directe

Hamburgers, steaks, côtelettes, kebabs, morceaux de poulet désossé, filets de poisson, mollusques et crustacés, légumes en tranches

Diamètre du grill	Briquettes Weber nécessaires	Briquettes de charbon nécessaires
47 cm (18 po)	30	40
57 cm (22 po)	40	50
67 cm (26 po)	65	80
95 cm (37 po)	115	150

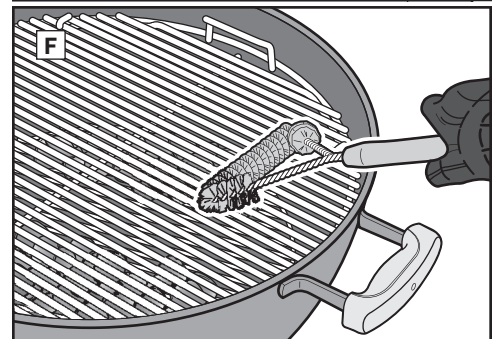
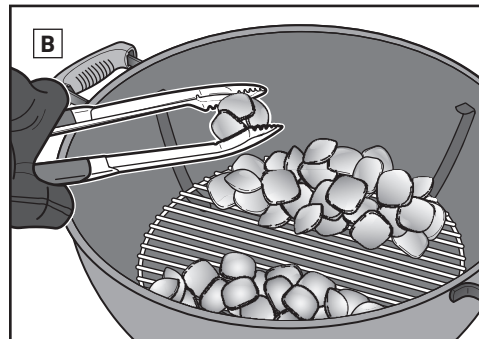


2. Lorsque le charbon de bois est complètement allumé, disposez-le avec de longues pinces de manière à les placer de chaque côté de l'aliment (B). Placez le charbon de bois sur les côtés des récipients en face des poignées (C). Une lèche-frite peut être placée entre le charbon de bois pour recueillir les gouttes.
3. Remettez la grille de cuisson en place.
4. Placez le couvercle sur le grill. Si votre grill dispose d'un thermomètre, placez toujours le couvercle de manière à ce que le thermomètre ne soit pas au-dessus du charbon de bois où il sera exposé à la chaleur directe (D).
5. Ouvrez le registre du couvercle (E).
6. Préchauffez la grille pendant environ 10 à 15 minutes.
7. Une fois la grille de cuisson préchauffée, nettoyez-la à l'aide d'une brosse en inox pour grill (F).



- Remarque : utilisez une brosse en inox pour grill. Remplacez la brosse si vous constatez que des poils se sont détachés et se trouvent sur la grille ou le pinceau de cuisson.*
8. Ouvrez le couvercle et placez vos aliments sur la grille.
 9. Placez le couvercle sur le grill. Consultez la recette pour connaître le temps de cuisson recommandé.
- Remarque : lorsque vous retirez le couvercle du grill pendant la cuisson, soulevez-le sur le côté plutôt que droit vers le haut. Soulever le couvercle droit vers le haut peut créer un effet d'aspiration et faire voler les cendres sur votre nourriture.*

Après la cuisson...
Fermez le registre du couvercle et les sorties d'air du récipient pour éteindre le charbon de bois.



Cuisson à chaleur indirecte sur le grill

Utilisez la méthode indirecte pour les plus gros morceaux de viande qui nécessitent 20 minutes de cuisson sur le grill ou plus, ou pour les aliments tellement délicats que l'exposition directe à la chaleur sécherait ou brûlerait, tels que :

- Les rôtis
- Les morceaux de volaille non désossés
- Les poissons entiers
- Les filets de poisson délicats
- Les poulets entiers
- Les dindes
- Les côtes levées

La chaleur indirecte peut également être utilisée pour terminer la cuisson d'aliments plus épais ou de morceaux non désossés qui ont d'abord été saisis ou brunis à chaleur directe.

Avec la chaleur indirecte, la chaleur se répand des deux côtés du grill, ou sur un des côtés du grill. La nourriture se trouve sur la partie éteinte de la grille de cuisson (A).

La chaleur conductrice et rayonnante constitue toujours un facteur, mais elle n'est pas aussi intense pendant la cuisson indirecte. Toutefois, si le couvercle du grill est fermé comme il se doit, un autre type de chaleur est généré : la chaleur par convection. La chaleur augmente, réfléchit sur le couvercle et à l'intérieur des surfaces du grill, et circule pour cuire lentement les aliments uniformément sur tous les côtés.

La chaleur par convection ne saisit pas la surface de l'aliment comme le fait la chaleur conductrice et rayonnante. La cuisson des aliments jusqu'au centre est plus douce, comme la chaleur dans un four.

Disposer le charbon de bois pour la chaleur indirecte

1. Mettez des gants ou des mitaines pour barbecue.

Remarque : le grill, notamment les poignées, le registre du couvercle et les sorties d'air du récipient, s'échaufferont. Assurez-vous de porter des gants ou des mitaines pour barbecue pour éviter de vous brûler les mains.

Quantité de charbon de bois nécessaire à la cuisson indirecte

Rôtis, morceaux de volaille avec os, poissons entiers, filets de poisson délicats, dindes ou poulets entiers, côtes levées

Diamètre du grill	Briquettes Weber nécessaires pour la première heure	Briquettes Weber nécessaires pour chaque heure supplémentaire	Briquettes de charbon nécessaires pour la première heure	Briquettes de charbon à ajouter pour chaque heure supplémentaire
47 cm (18 po)	10 de chaque côté	5 de chaque côté	20 de chaque côté	7 de chaque côté
57 cm (22 po)	15 de chaque côté	7 de chaque côté	25 de chaque côté	8 de chaque côté
67 cm (26 po)	25 de chaque côté	8 de chaque côté	40 de chaque côté	9 de chaque côté
95 cm (37 po)	45 de chaque côté	18 de chaque côté	75 de chaque côté	22 de chaque côté



Portez des gants

Portez toujours un ou des gants lorsque vous utilisez votre gril à charbon de bois. Les sorties d'air, les registres, les poignées et le récipient deviennent tous chauds pendant le processus de cuisson. Il est donc important de vous protéger les mains et les avant-bras.

Évitez l'essence pour briquets

Évitez l'utilisation de l'essence pour briquets, car elle peut donner un goût chimique à vos aliments. Les chambres d'allumage (vendues séparément) et les cubes allume-feux (vendus séparément) constituent des moyens beaucoup plus propres et efficaces d'allumer votre charbon de bois.

Préchauffez le gril

Le fait de préchauffer votre gril avec le couvercle fermé pendant 10 à 15 minutes prépare la grille de cuisson. Le charbon de bois étant chauffé au rouge, la température sous le couvercle peut atteindre 260 °C (500 °F). La chaleur permet aux morceaux d'aliments accrochés à la grille de s'assouplir, ce qui facilite leur élimination à l'aide d'une brosse en inox pour gril. Le fait de préchauffer votre gril permet à la grille de devenir suffisamment chaude pour saisir correctement vos aliments et les empêcher d'adhérer.

Remarque : utilisez une brosse en inox pour gril. Remplacez la brosse si vous constatez que des poils se sont détachés et se trouvent sur la grille ou le plateau de cuisson.

Huilez les aliments, pas la grille

L'huile empêche les aliments d'adhérer et rajoute également saveur et moelleux. Le fait de badigeonner ou de pulvériser légèrement les aliments avec de l'huile fonctionne mieux que le graissage de la grille.

Maintenez un flux d'air permanent

Un feu au charbon de bois a besoin d'air. Le couvercle doit être fermé dans la mesure du possible, mais maintenez le registre du couvercle et la sortie d'air du récipient ouverts. Retirez régulièrement les cendres de la partie basse du gril pour les empêcher de bloquer les sorties d'air.

Fermez le couvercle

Pour quatre raisons importantes, le couvercle doit être fermé dans la mesure du possible.

1. Maintenir la grille assez chaude pour saisir les aliments.
2. Accélérer le temps de cuisson et empêcher les aliments de se dessécher.
3. Piéger la fumée qui se développe lorsque le jus et les graisses se projettent à l'intérieur du gril.
4. Empêcher les poussées de flamme en limitant l'apport d'oxygène.

Apprivoisez la flamme

Des poussées de flamme peuvent se produire, ce qui est plutôt positif, car elles permettent de saisir la surface de ce que vous êtes en train de faire griller; cependant, une poussée trop importante peut brûler vos aliments. Laissez le couvercle en place dans la mesure du possible. Ceci permet de limiter la quantité d'oxygène présente à l'intérieur du gril et aidera à éteindre toute poussée de flamme. Si les flammes deviennent incontrôlables, placez les aliments temporairement en cuisson indirecte, jusqu'à ce que l'intensité des flammes diminue.

Surveillez le temps de cuisson et la température

Si vous cuisez sous un climat plus froid ou à une altitude plus élevée, les temps de cuisson seront plus élevés. Si le vent souffle fort, il fera augmenter la température d'un gril à charbon de bois. Il faut donc toujours vous tenir à proximité de votre gril et ne pas oublier de laisser le couvercle en place dans la mesure du possible afin que la chaleur ne s'échappe pas.

Aliments surgelés ou frais

Que vous fassiez griller des aliments surgelés ou frais, suivez les consignes de sécurité qui figurent sur l'emballage et faites-les toujours cuire à la température interne recommandée. Les aliments surgelés nécessiteront un temps de cuisson plus long et éventuellement plus de combustible, selon le type d'aliment.

Le garder propre

Suivez ces quelques instructions d'entretien de base pour conserver à votre gril son allure et ses capacités de cuisson pour de nombreuses années!

- Pour une circulation adéquate de l'air et une meilleure cuisson, retirez les cendres accumulées et les résidus de charbon de bois du fond de la marmite et du réceptacle à cendres avant toute utilisation. Assurez-vous que tout le charbon de bois est complètement éteint et que le gril a refroidi avant de le faire.
- Il se peut que vous remarquiez des écailles de peinture à l'intérieur du couvercle. Pendant l'utilisation, les graisses et les vapeurs de fumée s'oxydent lentement en carbone et se déposent à l'intérieur de votre couvercle. Brossez la graisse carbonisée à l'intérieur du couvercle avec une brosse en inox pour gril. Afin de réduire l'accumulation, l'intérieur du couvercle peut être essuyé avec du papier absorbant après cuisson tandis que le gril est encore tiède (pas chaud).
- Si votre gril est soumis à un environnement particulièrement hostile, vous devrez nettoyer l'extérieur plus souvent. Les pluies acides, les produits chimiques et l'eau salée peuvent provoquer l'apparition de traces de rouille en surface. WEBER recommande de nettoyer l'extérieur de votre gril à l'eau tiède savonneuse. Rincez puis séchez complètement.
- N'utilisez pas d'objets tranchants ou de produits abrasifs pour nettoyer les surfaces de votre gril.



Le temps de cuisson pour la viande de bœuf et d'agneau utilise la définition de cuisson à point de l'USDA, sauf indication contraire. Les morceaux, les épaisseurs, le poids et le temps de cuisson sur le gril sont des lignes directrices. Les facteurs tels que l'altitude, le vent et la température extérieure peuvent avoir une incidence sur le temps de cuisson.

Consultez le site www.weber.com pour trouver des recettes et des conseils de cuisson sur le gril.

	Épaisseur / Poids	Temps de Cuisson Total Environ	
VIANDE ROUGE	1.9 cm (¾ pouce) d'épaisseur	4 à 6 minutes chaleur élevée directe	
	2.5 cm (1 pouce) d'épaisseur	6 à 8 minutes chaleur élevée directe	
	5 cm (2 pouces) d'épaisseur	14 à 18 minutes saisir 6 à 8 minutes à chaleur élevée directe, puis griller 8 à 10 minutes à chaleur élevée indirecte	
	Bavette de Flanchet 680 à 907 g (1½ à 2 livres), 1.9 cm (¾ pouce) d'épaisseur	8 à 10 minutes chaleur moyenne directe	
	Boulette de Bœuf Haché 1.9 cm (¾ pouce) d'épaisseur	8 à 10 minutes chaleur moyenne directe	
Filet 1.36 à 1.81 kg (3 à 4 livres)	45 à 60 minutes 15 minutes à chaleur moyenne directe, puis griller 30 à 45 minutes à chaleur moyenne indirecte		
PORC	Saucisse Bratwurst : fraîche chaînon de 85 g (3 onces)	20 à 25 minutes chaleur faible directe	
	1.9 cm (¾ pouce) d'épaisseur	6 à 8 minutes chaleur élevée directe	
	Côte : désossée ou avec os 3.17 à 3.81 cm (1¼ à 1½ pouces) d'épaisseur	10 à 12 minutes saisir 6 minutes à chaleur élevée directe, puis griller 4 à 6 minutes à chaleur élevée indirecte	
	Côtes : petites côtes levées, côtes levées 1.36 à 1.81 kg (3 à 4 livres)	1½ à 2 heures chaleur moyenne indirecte	
	Côtes : style paysan, avec os 1.36 à 1.81 kg (3 à 4 livres)	1½ à 2 heures chaleur moyenne indirecte	
Filet 453 g (1 livre)	30 minutes saisir 5 minutes chaleur élevée directe, puis griller 25 minutes chaleur moyenne indirecte		
VOLAILLE	Poitrine de Poulet : désossée, sans peau 170 à 226 g (6 à 8 onces)	8 à 12 minutes chaleur moyenne directe	
	Cuisse de Poulet : désossée, sans peau 113 g (4 onces)	8 à 10 minutes chaleur moyenne directe	
	Morceaux de Poulet : avec os, assortis 85 à 170 g (3 à 6 onces)	36 à 40 minutes 6 à 10 minutes à chaleur faible directe, 30 minutes à chaleur moyenne indirecte	
	Poulet : entier 1.81 à 2.26 kg (4 à 5 livres)	1 à 1¼ heures chaleur moyenne indirecte	
	Poule Sauvage de Cornouailles 680 à 907 g (1½ à 2 livres)	60 à 70 minutes chaleur moyenne indirecte	
Dinde : entière, non farcie 4.53 à 5.44 kg (10 à 12 livres)	2 à 2½ heures chaleur moyenne indirecte		
FRUITS DE MER	Poisson, Filet ou Steak : flétan, vivaneau rouge, saumon, bar, espadon et thon 0.63 à 1.27 cm (¼ à ½ pouce) d'épaisseur	3 à 5 minutes chaleur moyenne directe	
	2.54 à 3.17 cm (1 à 1¼ pouces) d'épaisseur	10 à 12 minutes chaleur moyenne directe	
	Poisson : entier 453 g (1 livre)	15 à 20 minutes chaleur moyenne indirecte	
	1.36 kg (3 livres)	30 à 45 minutes chaleur moyenne indirecte	
Crevette 28 g (1½ onces)	2 à 4 minutes chaleur élevée directe		
LÉGUMES	Asperge 1.27 cm (½ pouce) de diamètre	6 à 8 minutes chaleur moyenne directe	
	Mais	non décortiquée	25 à 30 minutes chaleur moyenne directe
		décortiquée	10 à 15 minutes chaleur moyenne directe
	Champignon	shiitake ou bouton	8 à 10 minutes chaleur moyenne directe
		à la parisienne	10 à 15 minutes chaleur moyenne directe
	Oignon	coupée en deux	35 à 40 minutes chaleur moyenne indirecte
		tranches de 1.27 cm (½ pouce)	8 à 12 minutes chaleur moyenne directe
Pomme de Terre	entière	45 à 60 minutes chaleur moyenne indirecte	
	tranches de 1.27 cm (½ pouce)	9 à 11 minutes bouillir 3 minutes, puis griller 6 à 8 minutes sur chaleur moyenne directe	

Assurez-vous que les aliments tiennent bien sur le gril avec le couvercle et laissez environ 2,5 cm (1 in) d'écart entre les aliments et le couvercle.

Conseils de cuisson

- Faites griller des steaks, des filets de poisson, des morceaux de poulet désossé et des légumes à l'aide de la méthode directe pendant le temps indiqué dans le tableau (ou jusqu'au degré de cuisson souhaité) en retournant les aliments une fois, à mi-cuisson.
- Faites griller des rôtis, une volaille entière, des morceaux de volaille avec os, des poissons entiers et des morceaux de viande plus épais à l'aide de la méthode indirecte pendant le temps indiqué dans le tableau (ou jusqu'à ce qu'un thermomètre à lecture instantanée indique la température interne souhaitée).
- Avant de les découper, laissez reposer les rôtis, les morceaux de viande les plus gros, les côtelettes et les steaks épais 5 à 10 minutes après la cuisson. La température interne de la viande augmentera de 5 à 10 degrés pendant cette période.
- Pour une saveur fumée supplémentaire, n'hésitez pas à ajouter des copeaux ou des fragments de bois de feuillus (trempés dans l'eau pendant au moins 30 minutes et égouttés) ou des herbes fraîches humectées telles que du romarin, du thym ou des feuilles de laurier. Placez le bois ou les herbes humides directement sur les briquettes juste avant de commencer la cuisson.
- Décongelez les aliments avant de les faire griller. Dans le cas contraire, prévoyez un temps de cuisson plus long.

Conseils liés à la salubrité alimentaire

- Ne décongelez pas la viande, le poisson ou la volaille à température ambiante. Décongelez-les dans le réfrigérateur.
- Lavez-vous les mains soigneusement à l'eau chaude savonneuse avant toute préparation des repas, et après avoir manipulé des produits frais tels que les viandes, les poissons et les volailles.
- Ne placez jamais des aliments cuits sur le même plat que des aliments crus.
- Lavez à l'eau chaude savonneuse puis rincez tous les plats et ustensiles de cuisine ayant été en contact avec de la viande ou du poisson crus.



Weber-Stephen Products LLC
www.weber.com