



# SUMMIT

## BUILT-IN NG GAS GRILL INSTALLATION GUIDE

Assembly - Pg. 10

S-460 · S-660

NG

**YOU MUST READ THIS OWNER'S GUIDE  
BEFORE OPERATING YOUR GAS GRILL.**

### Download the WEBER Grills App!

Onboard with the free WEBER Grills App. The WEBER app is your answer to everything grilling and will lead you through everything from gas tank installation to your first grill out. Customize the app to your exact model, and taste, by registering your grill with a few simple questions.

- Grill setup and gas tank installation
- Grilling techniques and guides
- Timers and tools
- Recipes for any taste
- Seasonal menus/recipes



weber.com

#### **⚠ DANGER**

**If you smell gas:**

- 1) Shut off gas to the appliance.**
- 2) Extinguish any open flames.**
- 3) Open lid.**
- 4) If odor continues, keep away from the appliance and immediately call your gas supplier or your fire department.**

Leaking gas may cause a fire or explosion which can cause serious bodily injury, death, or damage to property.

Carefully follow all leak-check procedures in this Owner's Guide prior to grill operation. Do this even if the grill was dealer-assembled.

Do not ignite this appliance without first reading the burner ignition sections of this manual.

#### **⚠ WARNING**

- 1) Do not store or use gasoline or other flammable liquids or vapors in the vicinity of this or any other appliance.**
- 2) An LP tank not connected for use shall not be stored in the vicinity of this or any other appliance.**

**THIS GAS APPLIANCE IS  
DESIGNED FOR OUTDOOR  
USE ONLY.**

**NOTICE TO INSTALLER:** These instructions must be left with the owner, who should keep them for future use.

Keep this Owner's Manual for future reference, thoroughly read through it, and if you have any questions please contact us today.



52662

US - ENGLISH  
02/01/20

# WARNINGS

## ⚠ DANGER

Failure to follow the Dangers, Warnings and Cautions contained in this Owner's Manual may result in serious bodily injury or death, or in a fire or an explosion causing damage to property.

## ⚠ WARNINGS

- ⚠ Do not store a spare or disconnected liquid propane tank under or near this grill.
- ⚠ Improper assembly may be dangerous. Please follow the assembly instructions carefully.
- ⚠ After a period of storage, and/or nonuse, the WEBER gas grill should be checked for gas leaks and burner obstructions before use. See instructions in this manual for correct procedures.
- ⚠ Do not operate the WEBER gas grill if there is a gas leak present.
- ⚠ Do not use a flame to check for gas leaks.
- ⚠ Combustible materials should never be within 24 inches (61 cm) of the back or sides of your WEBER gas grill.
- ⚠ Do not put a grill cover or anything flammable on, or in the storage area under the grill.
- ⚠ Your WEBER gas grill should never be used by children. Accessible parts of the grill may be very hot. Keep young children away while it is in use.
- ⚠ You should exercise reasonable care when operating your WEBER gas grill. It will be hot during cooking or cleaning and should never be left unattended, or moved while in operation.
- ⚠ Should the burners go out while in operation, turn all gas valves off. Open the lid and wait five minutes before attempting to relight, using the igniting instructions.
- ⚠ Do not use charcoal or lava rock in your WEBER gas grill.
- ⚠ Never lean over open grill or place hands or fingers on the front edge of the cookbox.
- ⚠ Should a grease fire occur, turn off all burners and leave lid closed until fire is out.
- ⚠ Do not enlarge valve orifices or burner ports when cleaning the valves or burners.
- ⚠ The WEBER gas grill should be thoroughly cleaned on a regular basis.
- ⚠ Liquid propane gas is not natural gas. The conversion or attempted use of natural gas in a liquid propane unit or liquid propane gas in a natural gas unit is dangerous and will void your warranty.
- ⚠ Do not attempt to disconnect any gas fitting while your grill is in operation.

- ⚠ Use heat-resistant barbecue mitts or gloves when operating grill.
- ⚠ Keep any electrical supply cord and the fuel supply hose away from any heated surfaces.
- ⚠ Combustion byproducts produced when using this product contain chemicals known to the state of California to cause cancer, birth defects, or other reproductive harm.
- ⚠ Do not use this grill unless all parts are in place. The unit must be properly assembled according to the assembly instructions. ♦

## LIQUID PROPANE GAS UNITS ONLY

- ⚠ Use the pressure regulator and hose assembly that is supplied with your WEBER gas grill.
- ⚠ Do not attempt to disconnect the gas regulator and hose assembly or any gas fitting while your grill is in operation.
- ⚠ A dented or rusty liquid propane tank may be hazardous and should be checked by your liquid propane supplier. Do not use a liquid propane tank with a damaged valve.
- ⚠ Although your liquid propane tank may appear to be empty, gas may still be present, and the tank should be transported and stored accordingly.
- ⚠ If you see, smell or hear the hiss of escaping gas from the liquid propane tank
  1. Move away from liquid propane tank.
  2. Do not attempt to correct the problem yourself.
  3. Call your fire department. ♦

## CALIFORNIA PROPOSITION 65:

- ⚠ **WARNING:** Combustion byproducts produced when using this product contain chemicals known to the state of California to cause cancer, birth defects, or other reproductive harm.
- ⚠ **PROPOSITION 65 WARNING:** Handling the brass material on this product exposes you to lead, a chemical known to the state of California to cause cancer, birth defects or other reproductive harm. *Wash hands after handling this product.*

# BUILT-IN CUTOUT DIMENSIONS

## "ISLAND" STRUCTURE CONFIGURATION OPTIONS

There are many available options for positioning the major components of your "island" structure. The major components are:

- 1) The Built-In Grill
- 2) Gas supply enclosure
- 3) Optional side burner accessory

The three common options (A, B, C) are illustrated in the "Island" Structure Configuration Options" table.

**Note: Gas line limitation**

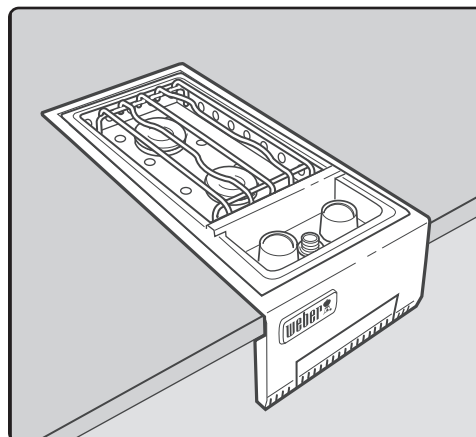
The gas supply hose from grill manifold to gas supply bulkhead must not exceed 58" (147 cm).  
The 3/8" (9.52 mm) side burner accessory hose (not included) must not exceed 58" (147 cm). ♦

### "ISLAND" STRUCTURE CONFIGURATION OPTIONS

1	SUMMIT Built-In Grill
2	Gas supply
3	Optional side burner accessory

**NOTE: IF YOU HAVE PURCHASED A SIDE BURNER**

If you have purchased a side burner accessory with your SUMMIT Gas Grill, WEBER recommends that you read the SUMMIT BUILT-IN SIDE BURNER INSTALLATION/OWNER'S GUIDE before designing your "island" structure. ♦



# BUILT-IN CUTOUT DIMENSIONS

## GENERAL CONSTRUCTION DETAILS

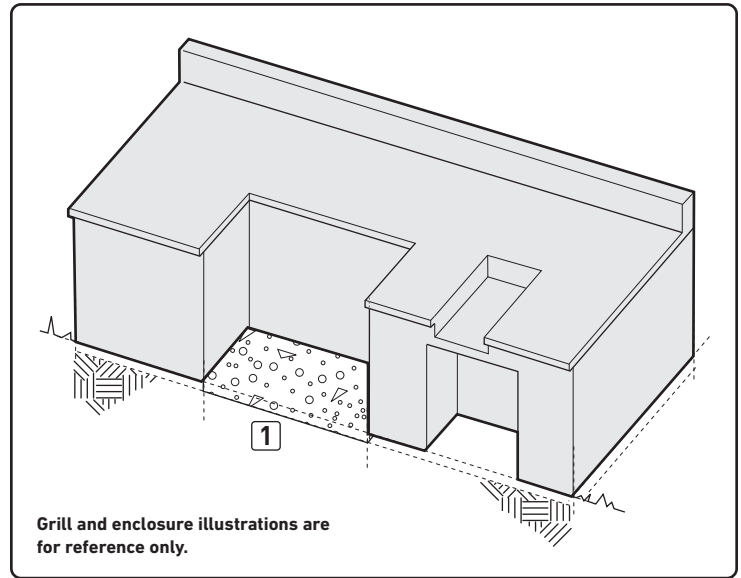
SUMMIT Built-In Unit and all other accessory units should be on site before construction begins.

For ease of installation, the grill will be pushed on its casters into the built-in structure.

The installation of this grill requires a level floor pad surface (1) and countertop surface. The floor pad surface must be constructed from solid materials and must be level and smooth. Proper subgrade materials must be used under the floor pad to prevent materials from settling and heaving.

### Rotisserie Outlet

If the supporting structure is going to have an electrical outlet for a rotisserie, it should be on the left side of the structure. ♦



## BUILT-IN CUTOUT GENERAL DIMENSIONS

All dimensions are to finished surfaces.

**⚠ WARNING: All countertop finished surfaces must be constructed of a noncombustible material. ♦**

### BUILT-IN CUTOUT GENERAL DIMENSIONS

	460	660	TOLERANCES
1	34" (864 mm)	42" (1067 mm)	±1/4" (6 mm)
2	36" (914 mm)	36" (914 mm)	max
3	24 5/16" (618 mm)	24 5/16" (618 mm)	±1/4" (6 mm)



# BUILT-IN CUTOUT DIMENSIONS

## POSITIONING YOUR GRILL

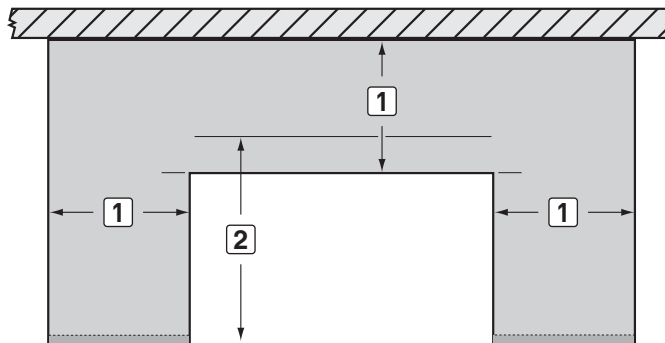
When determining a suitable location for your SUMMIT Gas Grill installation, give thought to concerns such as exposure to wind, proximity to traffic paths, and keeping any gas supply lines as short as possible. Never locate the SUMMIT Gas Grill in a garage, breezeway, or shed, under an unprotected overhang, or in any other enclosed area. Position the grill and structure so there is enough room to safely evacuate the area in case of a fire.

## CLEARANCE FROM SURFACES OR STRUCTURES

**⚠ WARNING: The structure, "island," countertops, and adjacent work areas for the Built-In Grill installation must be built from noncombustible materials only.**

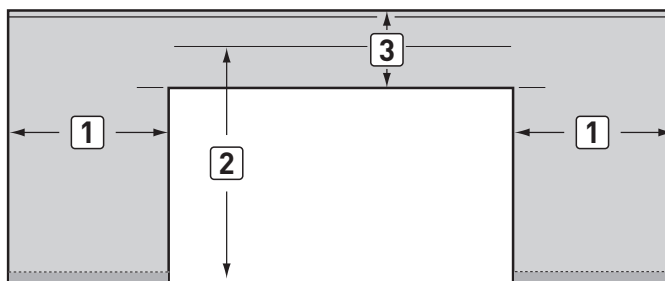
*NOTE: If you have questions on which materials are considered noncombustible, contact your local building materials supplier or fire department. ♦*

### CLEARANCES - INSTALLATION ADJACENT TO A STRUCTURE



1	24" (610 mm) any surface
2	27" (686 mm) minimum for lid clearance

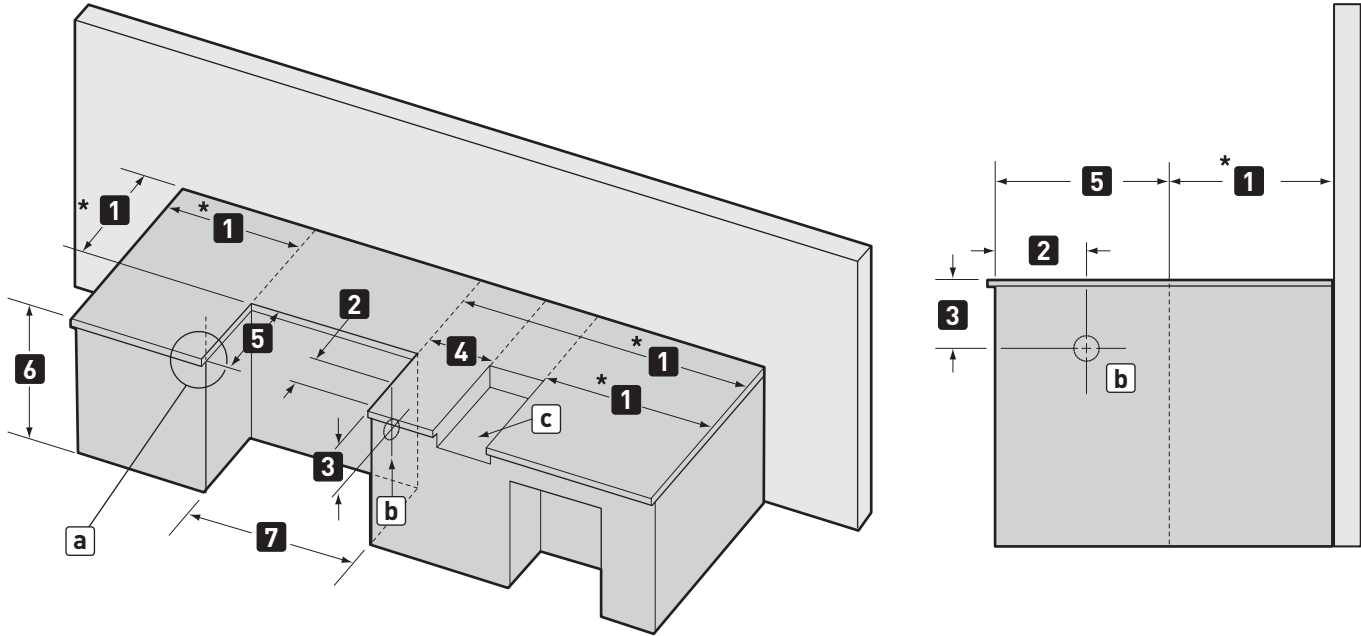
### CLEARANCES - "ISLAND" INSTALLATION



1	24" (610 mm) any surface
2	27" (686 mm) minimum for lid clearance
3	10 1/2" (267 mm) minimum

# BUILT-IN CUTOUT DIMENSIONS

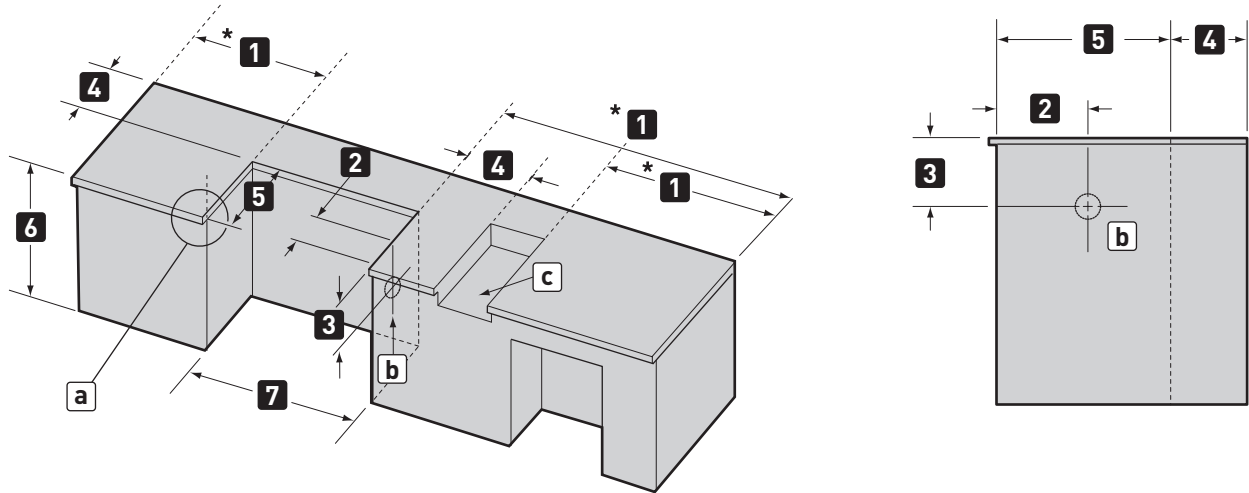
## BUILT-IN CUTOUT DETAILED DIMENSIONS - INSTALLATION ADJACENT TO A STRUCTURE



		460	660
<b>DIMENSIONS</b>	*1	24" minimum* (610 mm)	24" minimum* (610 mm)
	2	16 1/2" (419 mm)	16 1/2" (419 mm)
	3	11 1/8" (283 mm)	11 1/8" (283 mm)
	4	10 1/2" (267 mm) minimum	10 1/2" (267 mm) minimum
	5	24 5/8" (618 mm)	24 5/8" (618 mm)
	6	36" (914 mm) maximum	36" (914 mm) maximum
	7	34" (864 mm) built-in frame	42" (1067 mm) built-in frame
a	For a countertop treatment: recommended 3/4" (19 mm) overhang		
b	Gas inlet		
c	Side burner opening		
*Clearance from any surface or structure is at least 24" (610 mm) from the back and sides of the grill or side burner.			

# BUILT-IN CUTOUT DIMENSIONS

## BUILT-IN CUTOUT DETAILED DIMENSIONS - "ISLAND" INSTALLATION



		460	660
<b>DIMENSIONS</b>	*1	24" minimum* (610 mm)	24" minimum* (610 mm)
	2	16 1/2" (419 mm)	16 1/2" (419 mm)
	3	11 1/8" (283 mm)	11 1/8" (283 mm)
	4	10 1/2" (267 mm) minimum	10 1/2" (267 mm) minimum
	5	24 3/16" (618 mm)	24 3/16" (618 mm)
	6	36" (914 mm) maximum	36" (914 mm) maximum
	7	34" (864 mm) built-in frame	42" (1067 mm) built-in frame
	a	For a countertop treatment: recommended 3/4" (19 mm) overhang	
	b	Gas inlet	
	c	Side burner opening	
*Clearance from any surface or structure is at least 24" (610 mm) from the back and sides of the grill or side burner.			

# VENTILATION

## VENTILATION

**⚠ WARNING: Ventilation holes must be provided in the structure at the top and bottom to provide ventilation in the event of a gas leak.**

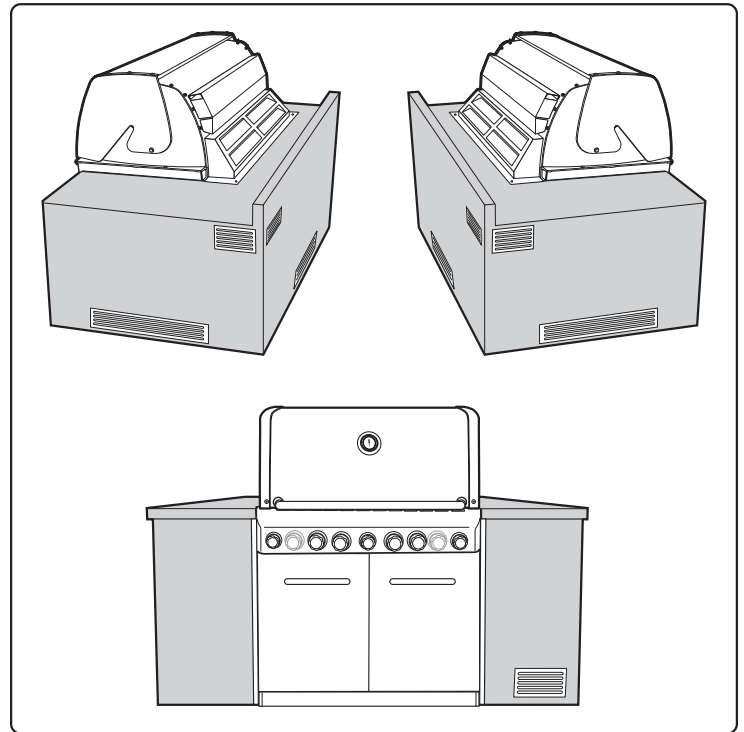
Ventilation holes can be located in a low visibility area and should be protected by screening material to prevent rodents and insects from entering the structure. Air holes will also help dry moisture.

*Note: These drawings are only a reference.*

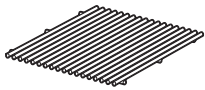
- Cross ventilation must be incorporated in the supporting structure. We recommend a minimum of 100 square inches (254 square cm) of venting per side.
- Vents should be on two sides of the structure.
- The drawings are for reference only.
- Position of the vents should be from the center, outward.
- Position the vents at both the bottom of the structure and at the top of the structure.
- The bottom vents should be as close to ground level as possible. Make sure the vent area is not blocked by interior supports of the structure.
- We recommend vents with screens.
- Access doors to the structure are not considered vents.
- Clean the vents periodically.

### **⚠ DANGER**

**Failure to follow recommended minimum venting instructions can cause gas to collect in the structure in the event of a gas leak. This may result in a fire or an explosion which can cause serious bodily injury or death, and damage to property. ♦**



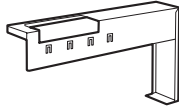
# PARTS LIST • LISTA DE PIEZAS • LISTE DES PIÈCES



**Stainless Steel Cooking Grate**  
Parrilla de Cocción de Acero Inoxidable  
Grille de Cuisson en Acier Inoxydable  
460 - 2 660 - 3



**FLAVORIZER Bar**  
Barra FLAVORIZER  
Barre FLAVORIZER  
460 - 8 660 - 12



460 - 1 660 - 2  
**Catch Pan Holder - 1**  
Soporte del Plato Recolector - 1  
Support pour Égouttoir - 1



**Disposable Drip Pan - 1**  
Bandeja de Goteo Desechable - 1  
Égouttoir Jetable - 1



**Catch Pan - 1**  
Plato Recolector - 1  
Égouttoir - 1



**Warming Rack - 1**  
Rejilla para Calentar - 1  
Grille de Maintien au Chaud - 1



**Battery Housing - 1**  
Compartimiento de la Batería - 1  
Logement des Piles - 1



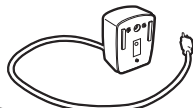
**Rotisserie Fork - 4**  
Horquilla del Asador Giratorio - 4  
Fourche de la Rôtissoire - 4



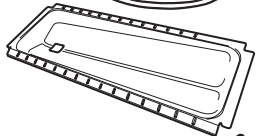
**Rotisserie Spit - 1**  
Espetón del Asador Giratorio - 1  
Broche de la Rôtissoire - 1



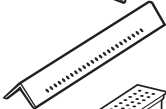
**Rotisserie Bracket - 1**  
Soporte del Asador Giratorio - 1  
Support de la Rôtissoire - 1



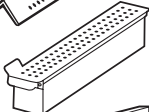
**Rotisserie Motor - 1**  
Motor del Asador Giratorio - 1  
Moteur de la Rôtissoire - 1



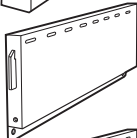
**Slide-Out Grease Tray - 1**  
Bandeja Corrediza Recolectora de Grasa - 1  
Plateau de Récupération des Graisses Amovible - 1



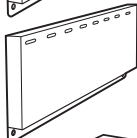
**Smoker Bar - 1**  
Barra del Ahumador - 1  
Barre du Fumoir - 1



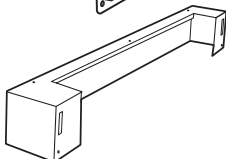
**Smoker Box - 1**  
Caja del Ahumador - 1  
Boîtier du Fumoir - 1



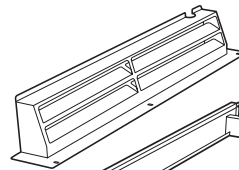
**Left Side Vent - 1**  
Respiradero del Lado Izquierdo - 1  
Aération Latérale Gauche - 1



**Right Side Vent - 1**  
Respiradero del Lado Derecho - 1  
Aération Latérale Droite - 1



**Rear Vent Bracket - 1**  
Soporte del Respiradero Posterior - 1  
Support de l'Aération Arrière - 1



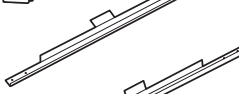
**Rear Vent - 1**  
Respiradero Posterior - 1  
Aération Arrière - 1



**Front Wheel Alignment Panel - 1**  
Panel de Alineación de las Ruedas Delanteras - 1  
Panneau d'Alignement de la Roue Avant - 1



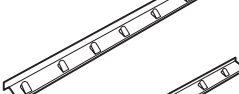
**Rear Wheel Alignment Panel - 1**  
Panel de Alineación de las Ruedas Traseras - 1  
Panneau d'Alignement de la Roue Arrière - 1



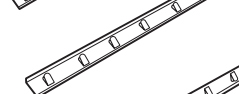
**Left Trim Piece - 1**  
Pieza de Guarnición Izquierda - 1  
Pièce à Rogner de Gauche - 1



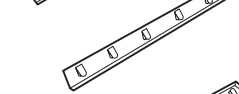
**Right Trim Piece - 1**  
Pieza de Guarnición Derecha - 1  
Pièce à Rogner de Droite - 1



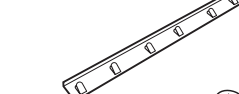
**Rear Filler Strip - 1**  
Tira de Relleno Posterior - 1  
Bande de Remplissage Arrière - 1



**Front Filler Strip - 2**  
Tira de Relleno Delantera - 2  
Bande de Remplissage Avant - 2



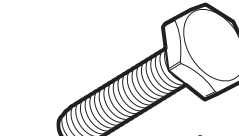
**Left Top Filler Strip - 1**  
Tira de Relleno Izquierda Superior - 1  
Bande de Remplissage Supérieure Gauche - 1



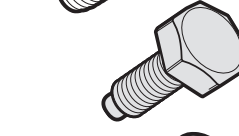
**Right Top Filler Strip - 1**  
Tira de Relleno Derecha Superior - 1  
Bande de Remplissage Supérieure Droite - 1



**Wrench - 1**  
Llave - 1  
Clé - 1



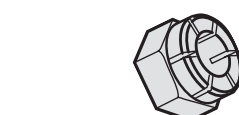
**1-Inch Bolt (1/4 - 20 x 1") - 2**  
Perno de 1 Pulgada (1/4 - 20 x 1") - 2  
Boulon de 1 Pouce (1/4 - 20 x 1") - 2



**Silver Hex Bolt (1/4 - 20 x 5/8") - 4**  
Perno Hexagonal Plateado (1/4 - 20 x 5/8") - 4  
Boulon Hexagonal en Argent (1/4 - 20 x 5/8") - 4



**Screw - 3**  
Tornillo - 3  
Vis - 3



**Nut (1/4 - 20) - 2**  
Tuerca (1/4 - 20) - 2  
Erou (1/4 - 20) - 2



**Plastic Plug - 3**  
Tapon de Plástico - 3  
Bouchon de Plastique - 3



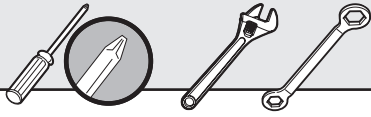
**Washer - 4**  
Arandela - 4  
Rondelle - 4



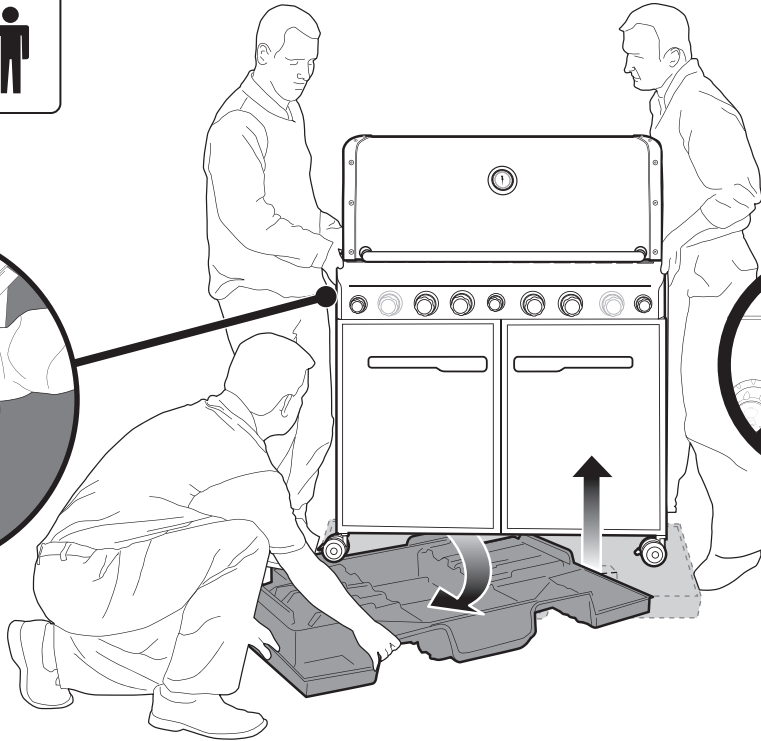
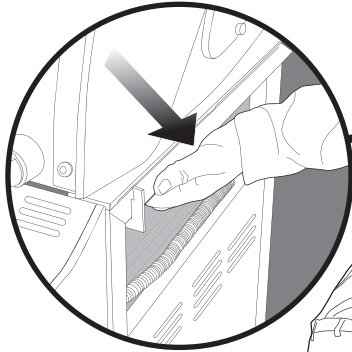
**Silver Screw (10 - 32 x 3/8") - 11**  
Tornillo Plateado (10 - 32 x 3/8") - 11  
Vis en Argent (10 - 32 x 3/8") - 11

# ASSEMBLY • ENSAMBLAJE • ASSEMBLAGE

TOOLS NEEDED:  
HERRAMIENTAS REQUERIDAS:  
OUTILS NECESSAIRES :



3-



The grill illustrated may have slight differences than the model purchased.

La barbacoa ilustrada puede tener ligeras diferencias con respecto al modelo comprado.

Il est possible que le grill de l'illustration présente de légères différences par rapport au modèle acheté.

⚠ **IMPORTANT: TO PROPERLY ALIGN FRAME AND DOORS, ASSEMBLE GRILL ON A FLAT AND LEVEL SURFACE.**

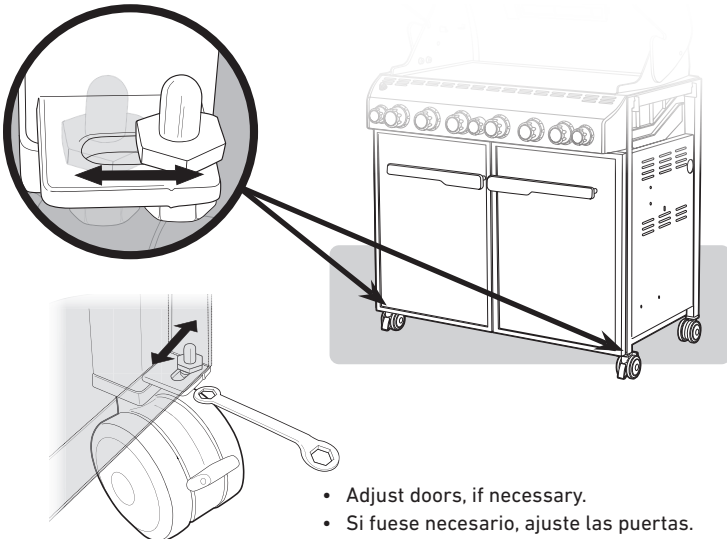
⚠ **IMPORTANTE: PARA ALINEAR CORRECTAMENTE EL BASTIDOR Y LAS PUERTAS, ARME LA BARBACOA SOBRE UNA SUPERFICIE PLANA Y HORIZONTAL.**

⚠ **IMPORTANT : POUR ALIGNER CORRECTEMENT LE CADRE ET LES PORTES, ASSEMBLEZ LE GRILL SUR UNE SURFACE PLANE ET REGULIERE.**

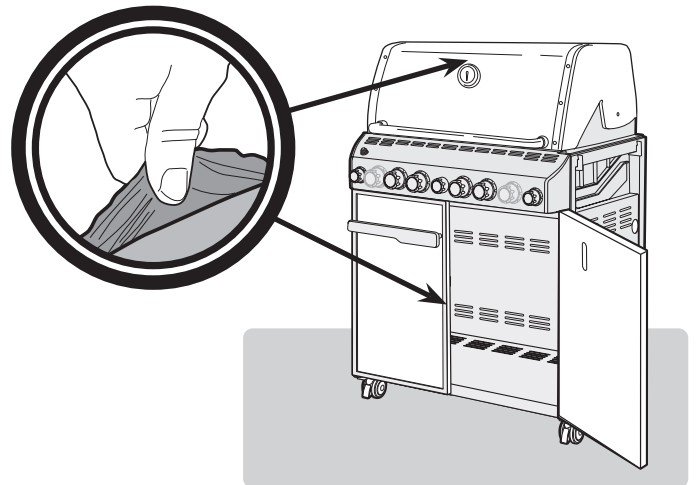
**Remove protective film from stainless surface before using grill.**

**Retire la película protectora de la superficie de acero inoxidable antes de utilizar la barbacoa.**

**Retirez la pellicule de protection de la surface inoxydable avant d'utiliser le grill.**



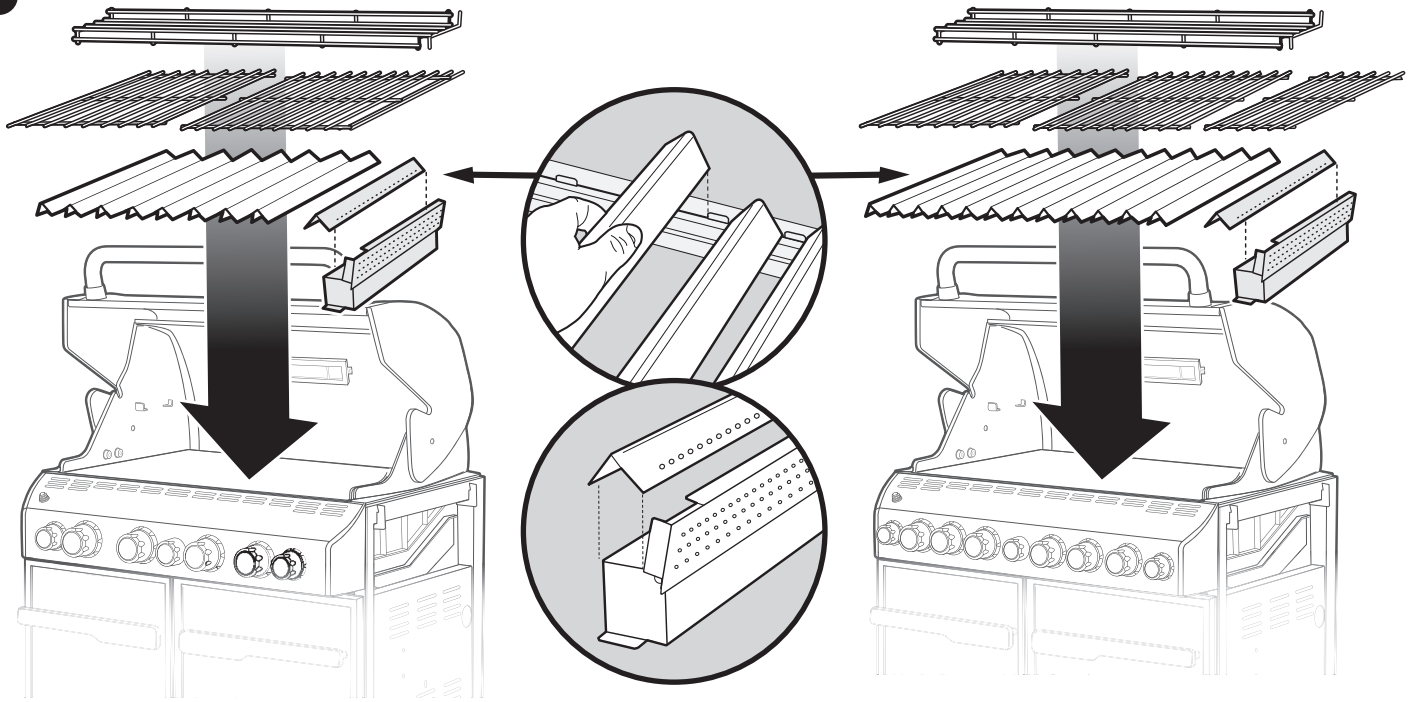
- Adjust doors, if necessary.
- Si fuese necesario, ajuste las puertas.
- Ajustez les portes, si nécessaire.



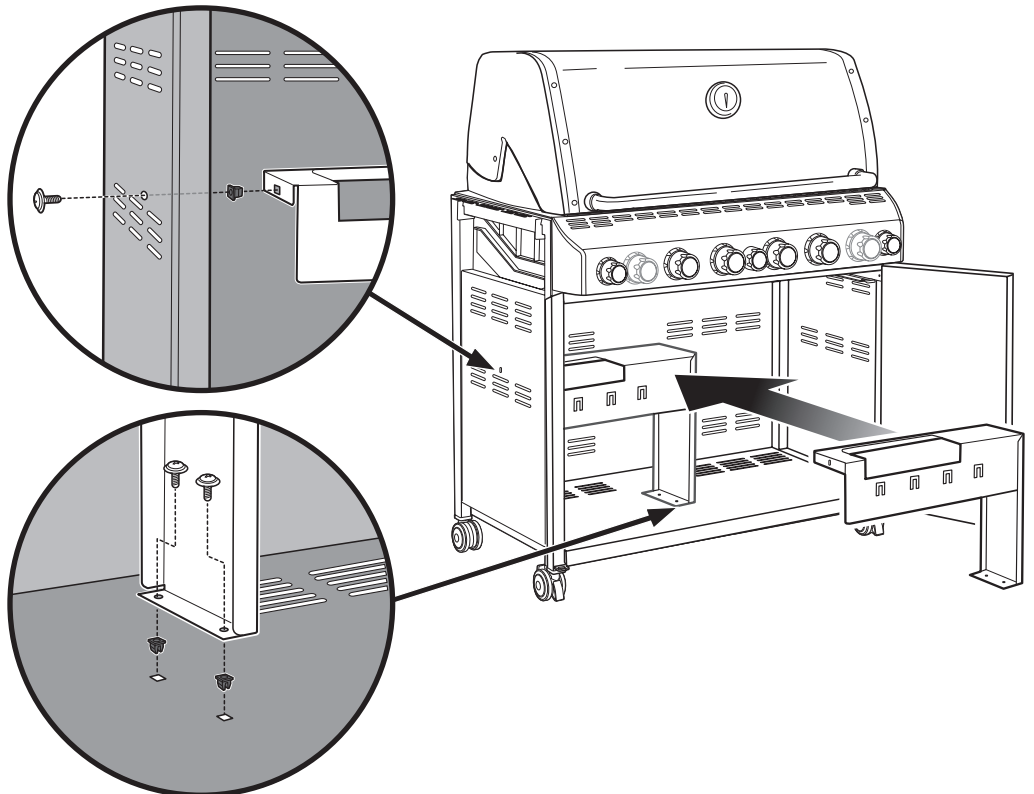
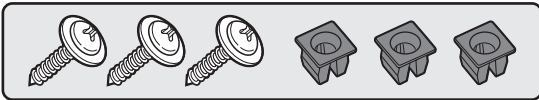
1

460

660



2

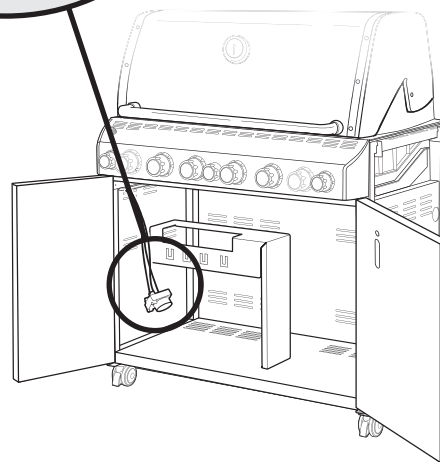
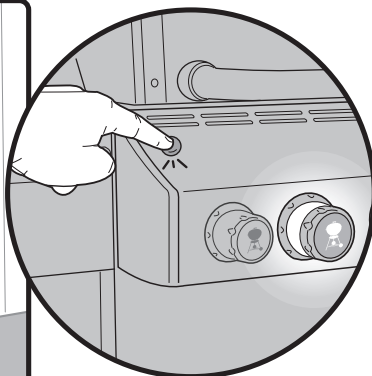
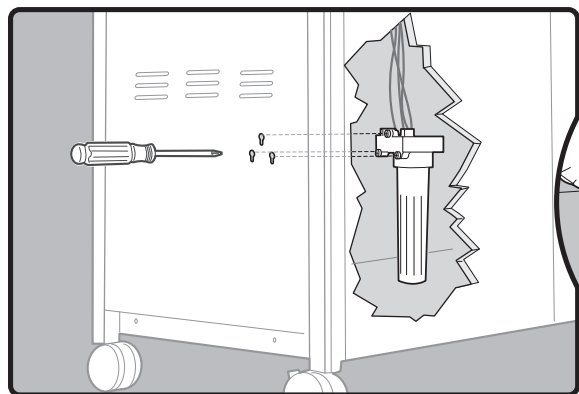
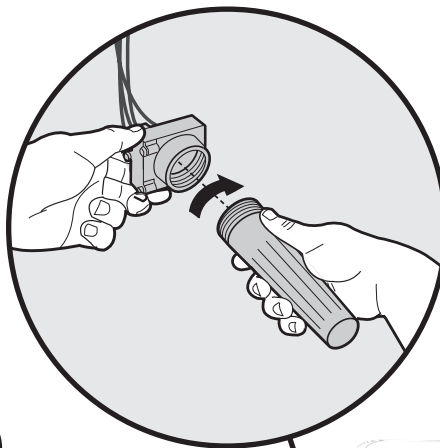
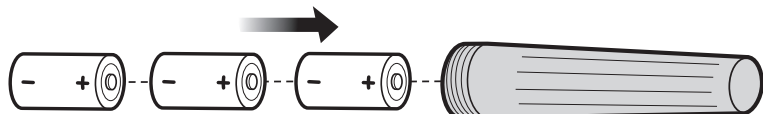


3

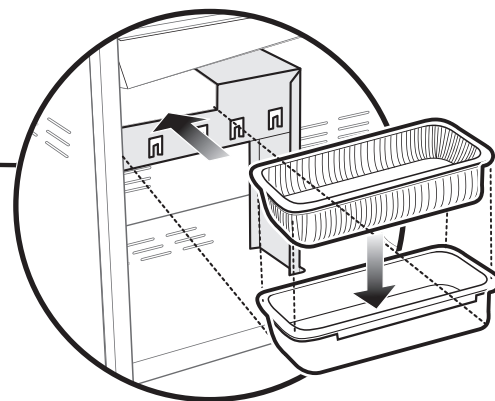
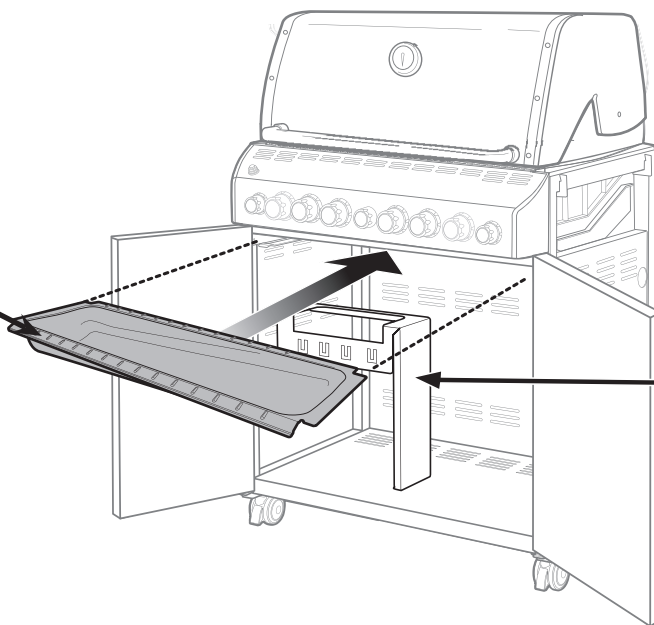
**Requires three "D" alkaline batteries (included).** Use alkaline batteries only. Do not mix old and new batteries or different types of batteries (standard, alkaline, or rechargeable).

**Requiere tres baterías alcalinas "D" (incluidas).** Use solamente baterías alcalinas. No mezcle baterías nuevas con viejas o diferentes tipos de baterías entre sí (normales, alcalinas, o recargables).

**Nécessite trois piles alcalines "D" (fournies).** Utilisez des piles alcalines uniquement. Ne mélangez pas des piles usagées avec des piles neuves ou différents types de piles (standard, alcalines, ou rechargeables).

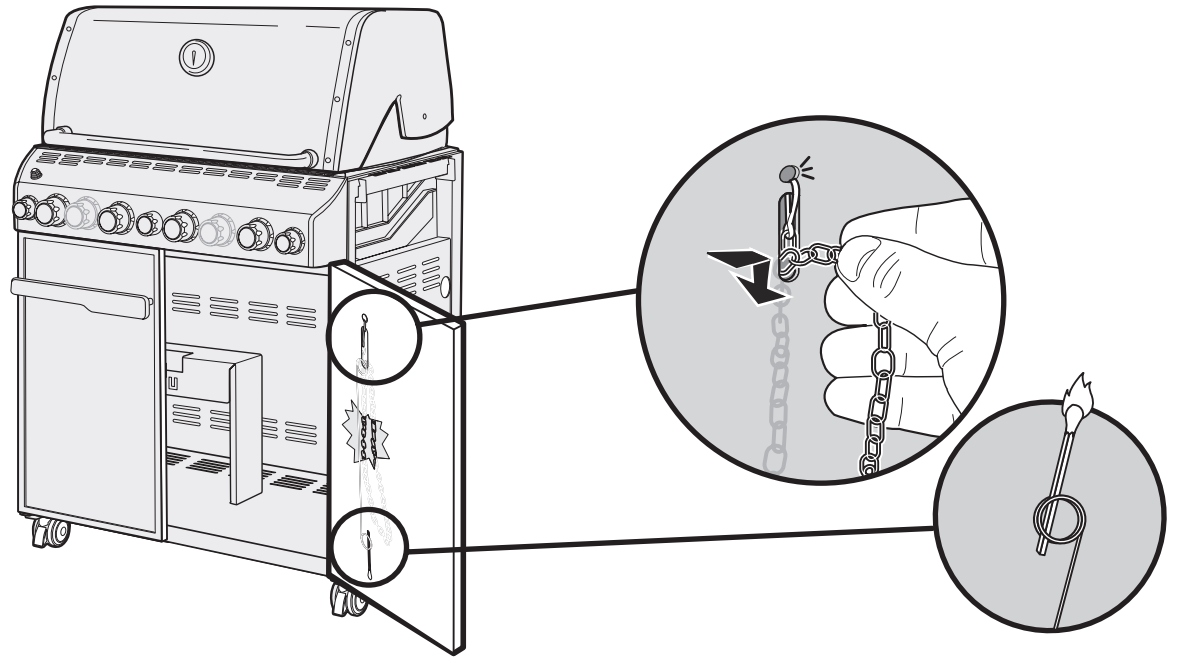


4

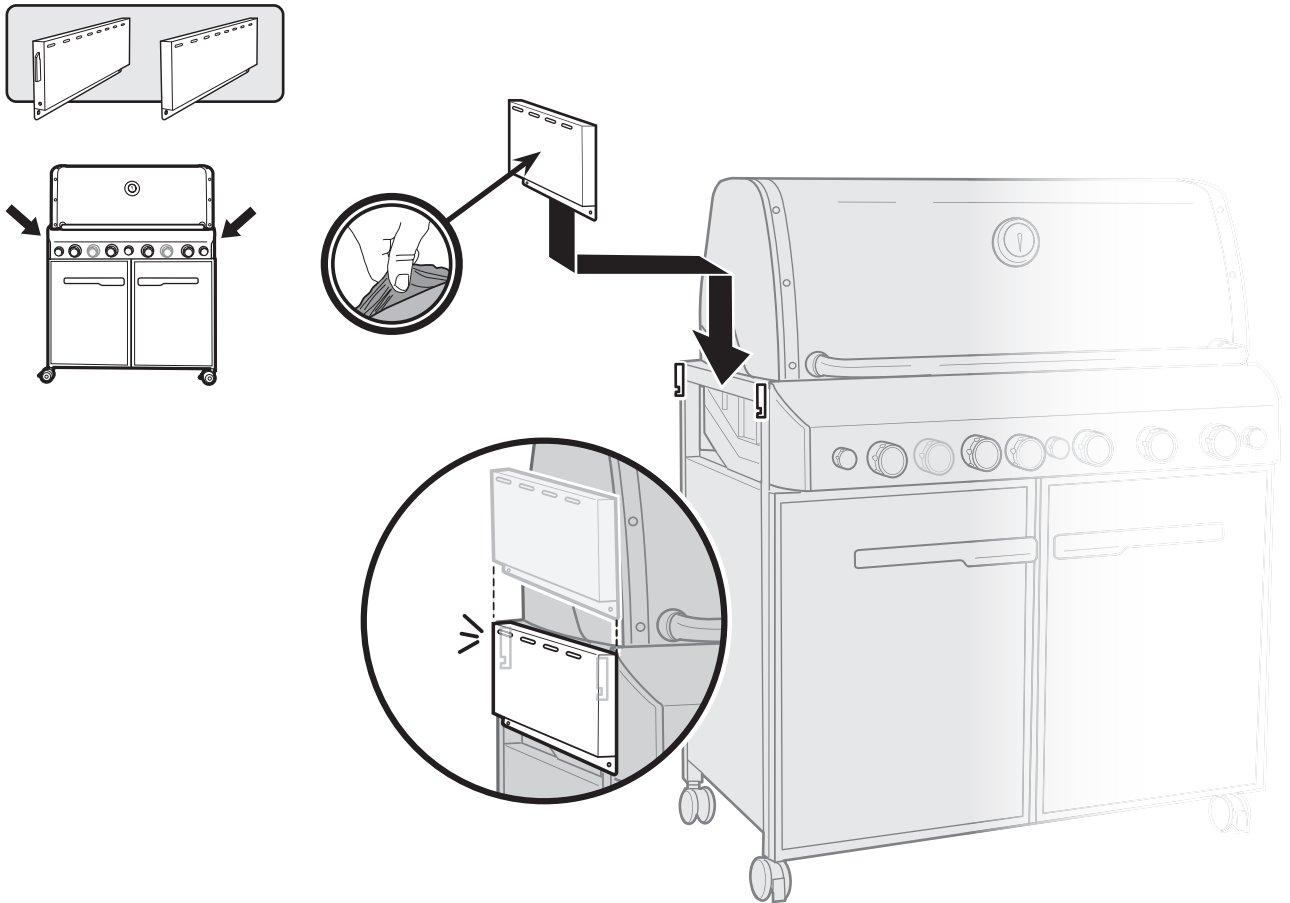




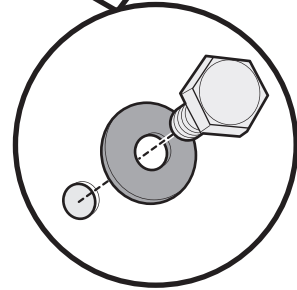
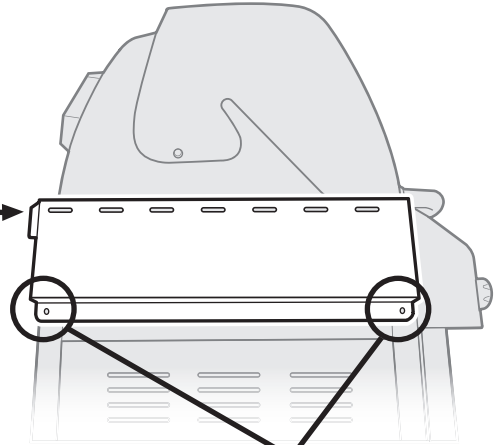
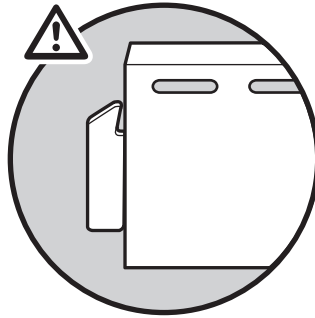
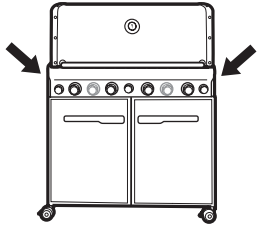
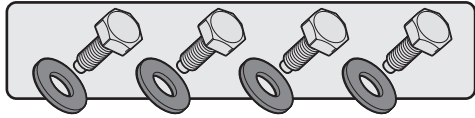
5



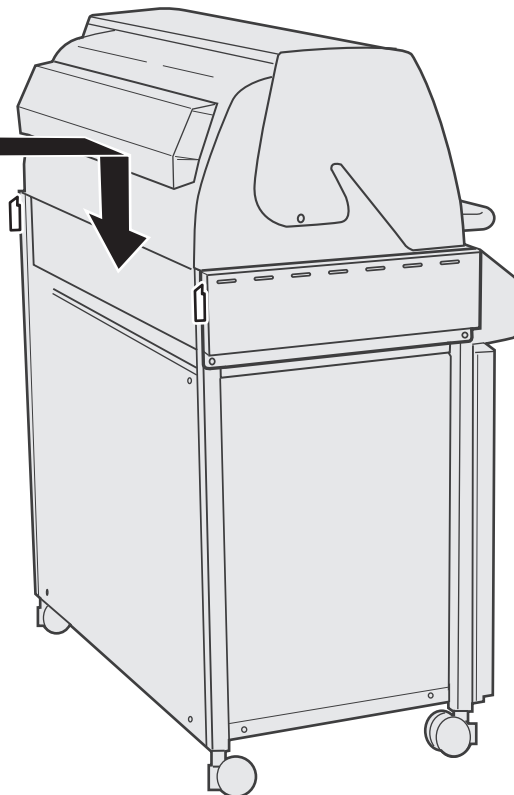
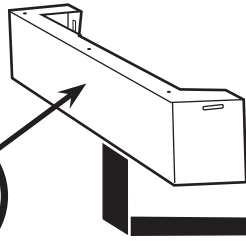
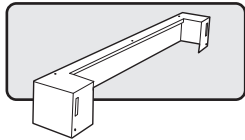
6



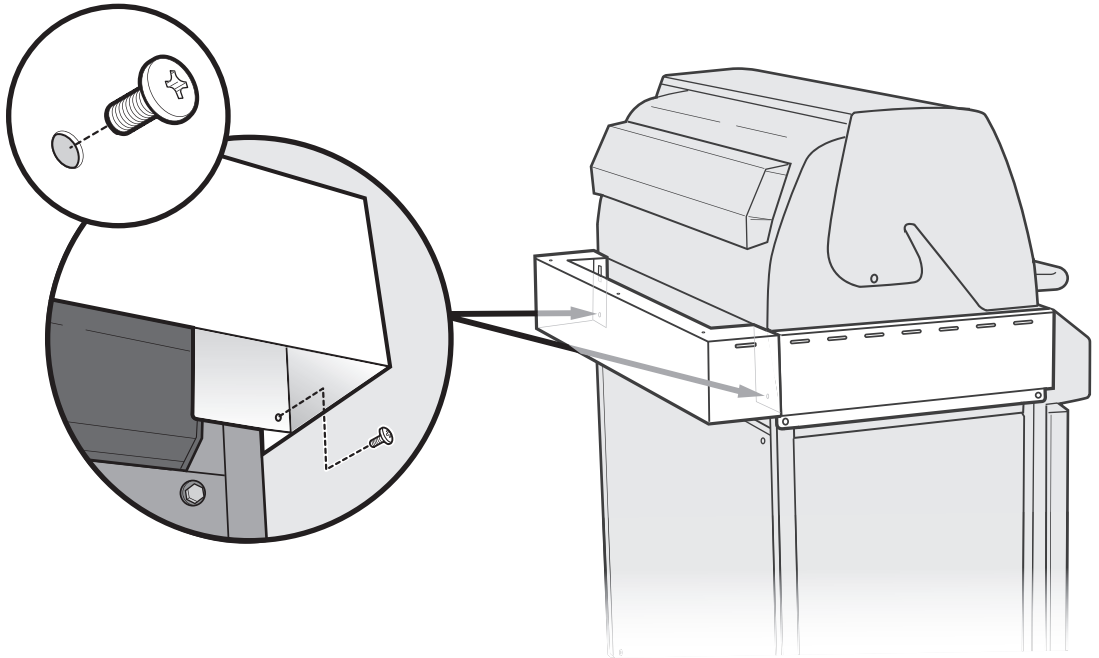
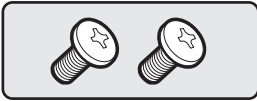
7



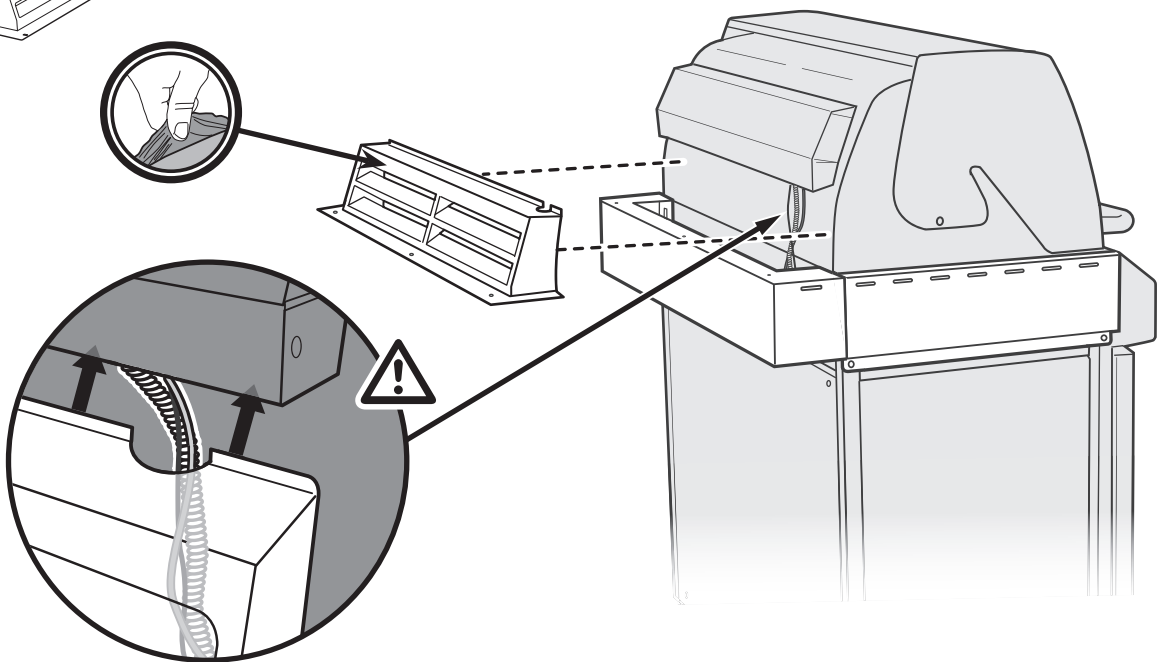
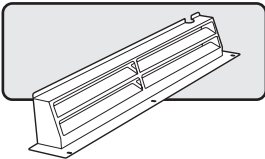
8



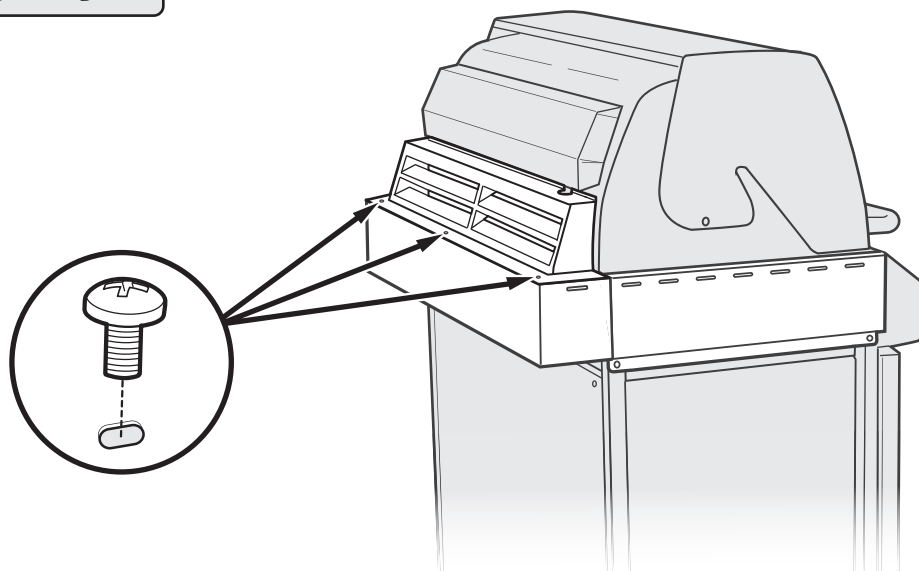
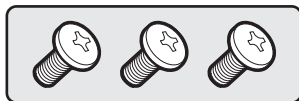
9



10



11

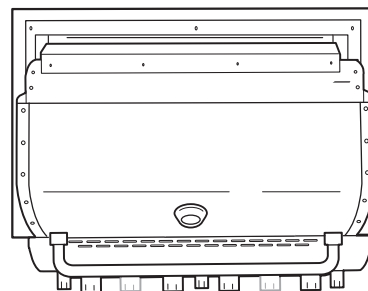
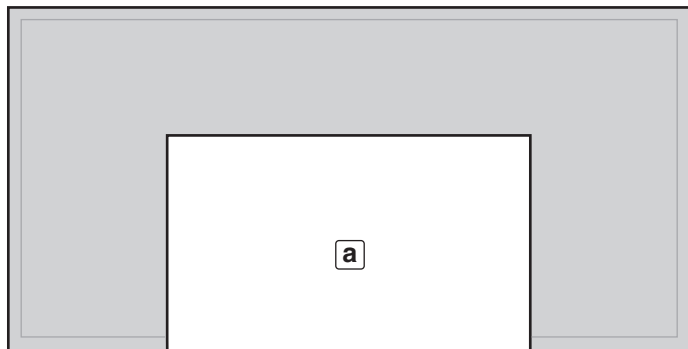


12

Now that the side vents are installed, the grill should be placed directly in front of the cut-out opening (a) of the built-in structure. The grill will be pushed straight into the structure once the wheel alignment panels are installed in the following steps. **Align grill with enclosure, but do not roll grill into enclosure at this time.**

Ahora que los respiraderos laterales están instalados, la barbacoa deberá colocarse directamente en frente de la abertura del corte (a) en la estructura empotrada. Una vez que los paneles de alineación de las ruedas estén instalados en los siguientes pasos, la barbacoa se empujará directamente dentro de la estructura. **Alinee la barbacoa con el compartimiento, pero no la ruede aún dentro del mismo.**

Maintenant que les aérations latérales sont installées, le grill devrait être placé directement en face de l'ouverture découpée (a) de la structure encastrée. Le grill sera enfoncé directement à l'intérieur de la structure une fois que les panneaux d'alignement des roues seront installés selon les étapes suivantes. **Alignez le grill avec le meuble, mais ne faites pas rouler le grill à l'intérieur du meuble pour l'instant.**

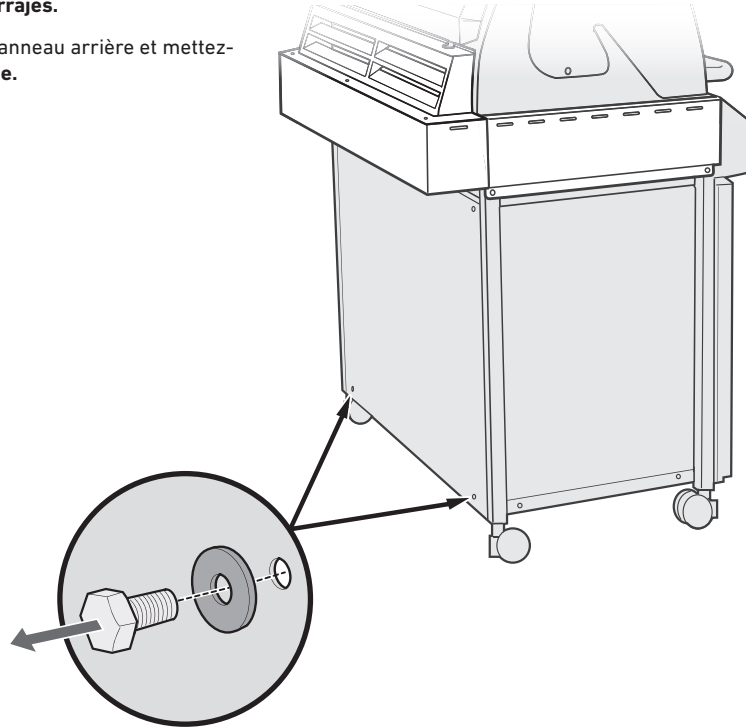


13

Remove two screws and two washers from back panel and set aside. **Do not discard hardware.**

Retire dos tornillos y dos arandelas del panel posterior y póngalos a un lado. **No deseche los herrajes.**

Retirez deux vis et deux rondelles du panneau arrière et mettez-les de côté. **Ne jetez pas la quincaillerie.**

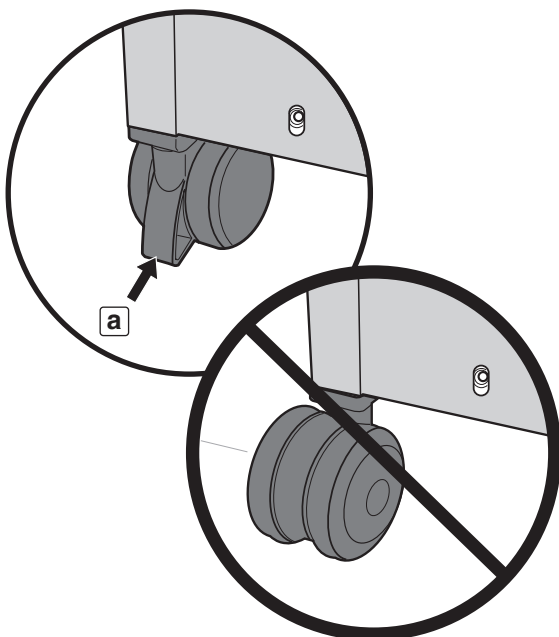


14

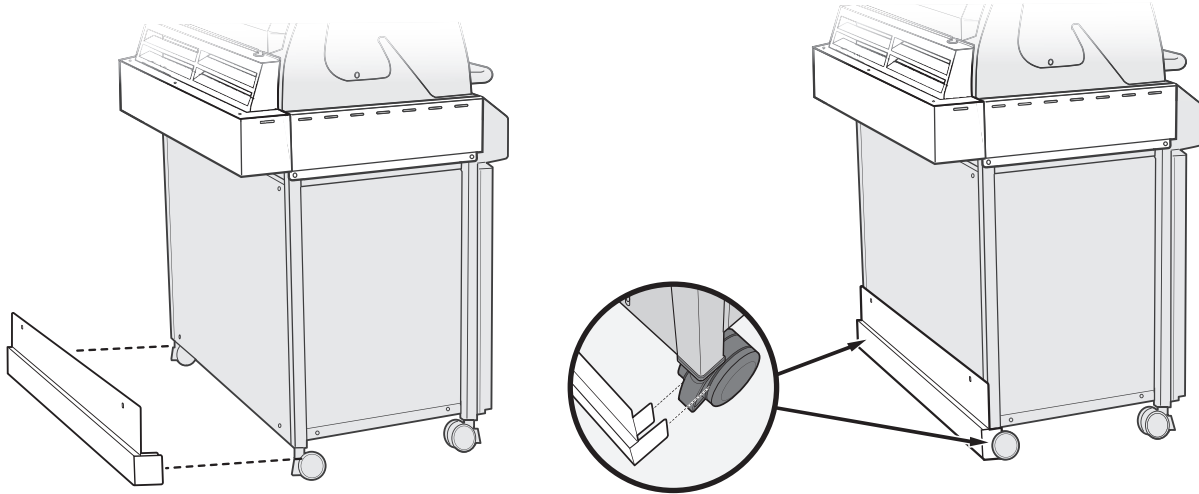
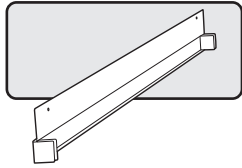
Rotate rear casters so that the points of the casters (**a**) are facing outward toward the grill enclosure.

Gire las ruedas traseras de manera que las puntas de las ruedas (**a**) den cara afuera hacia el compartimento de la barbacoa.

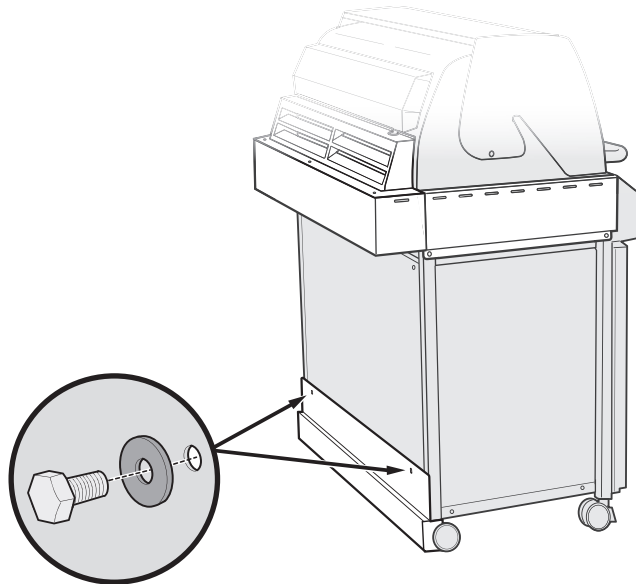
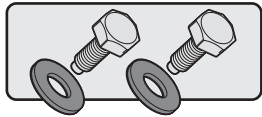
Faites pivoter les roulettes arrière de sorte que les points des roulettes (**a**) se trouvent orientés vers l'extérieur vers le meuble d'accueil du grill.



15



16

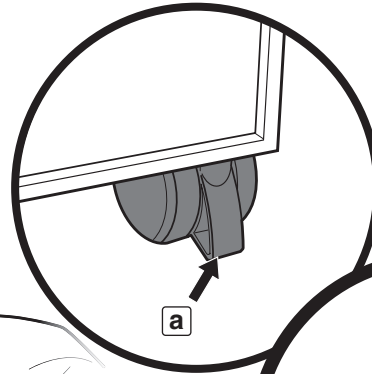
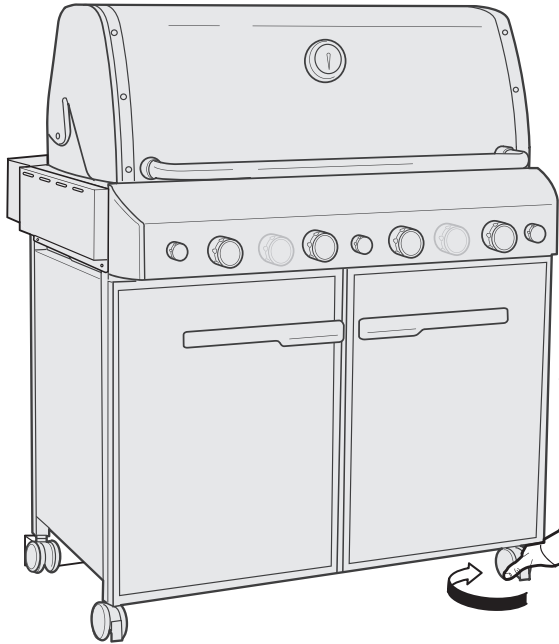
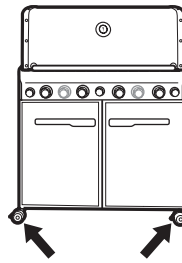


17

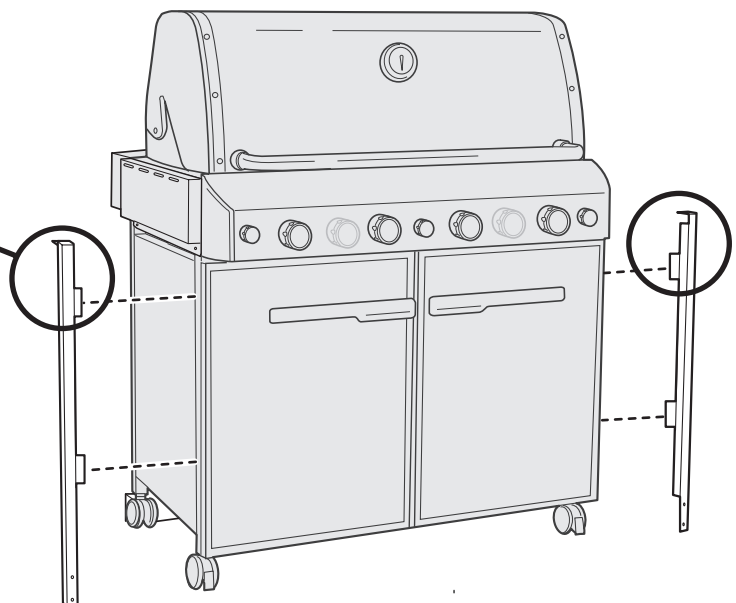
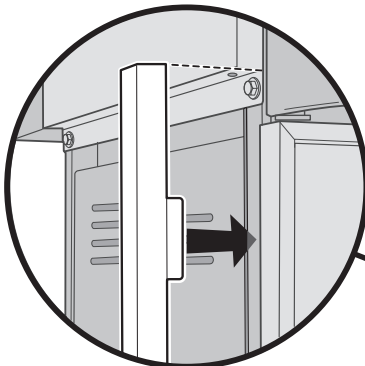
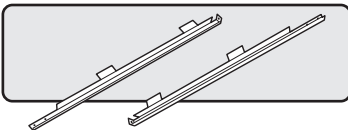
Rotate front casters so that caster points (a) are facing the front of the grill.

Gire las ruedas delanteras de manera que las puntas de las ruedas (a) den cara al frente de la barbacoa.

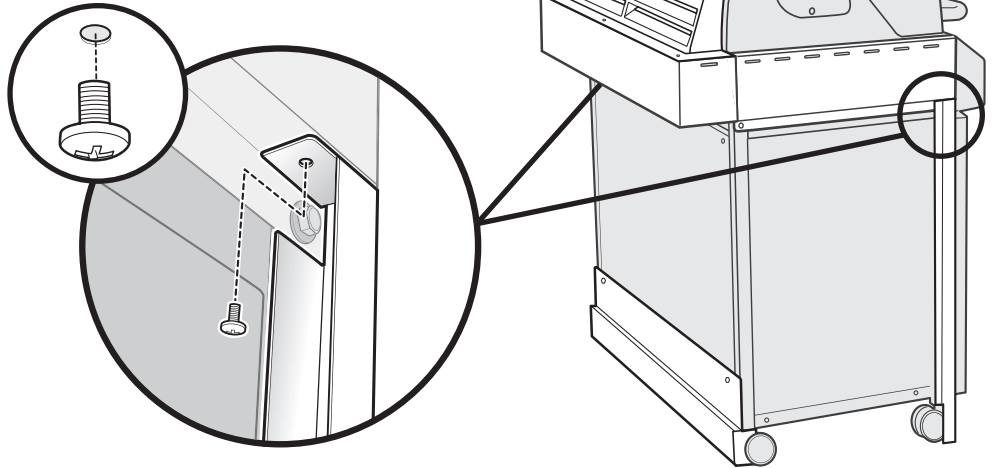
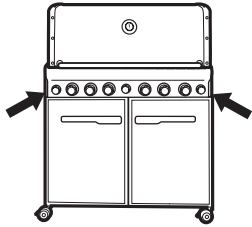
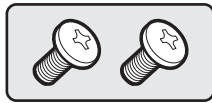
Faites pivoter les roulettes avant de sorte que les points des roulettes (a) se trouvent face à l'avant du grill.



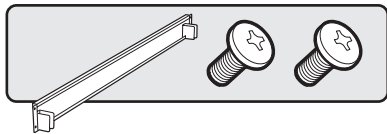
18



19



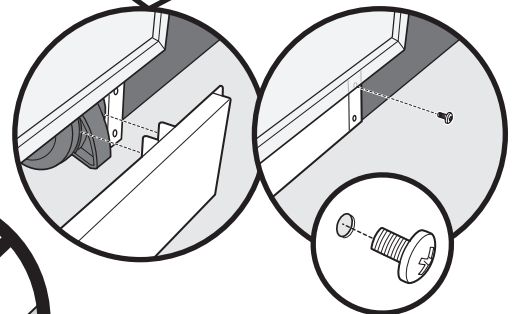
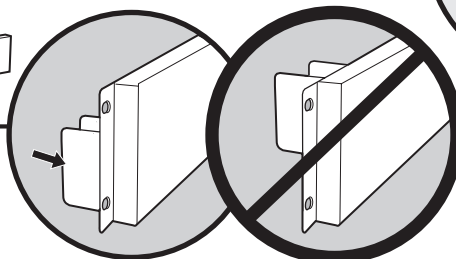
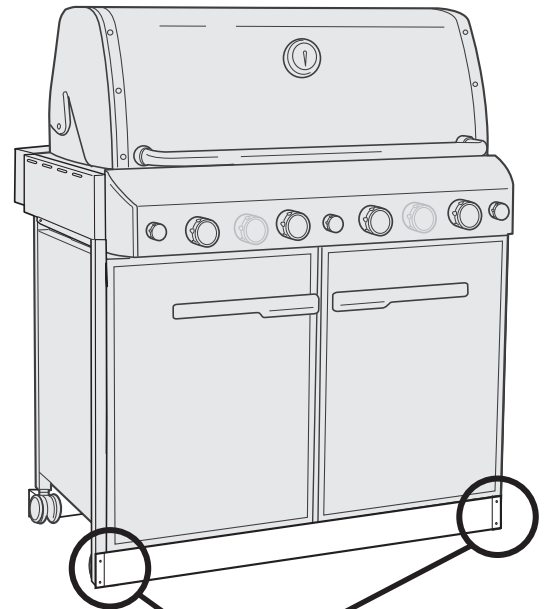
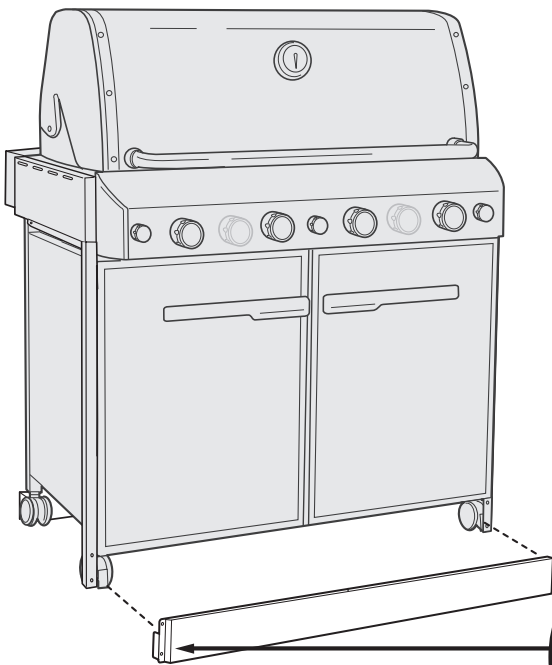
20



Temporarily install the front wheel alignment panel using just one screw on each side.

Instale temporalmente el panel delantero de alineación de las ruedas utilizando sólo un tornillo en cada lado.

Installez temporairement le panneau d'alignement des roues avant en utilisant juste une vis de chaque côté.



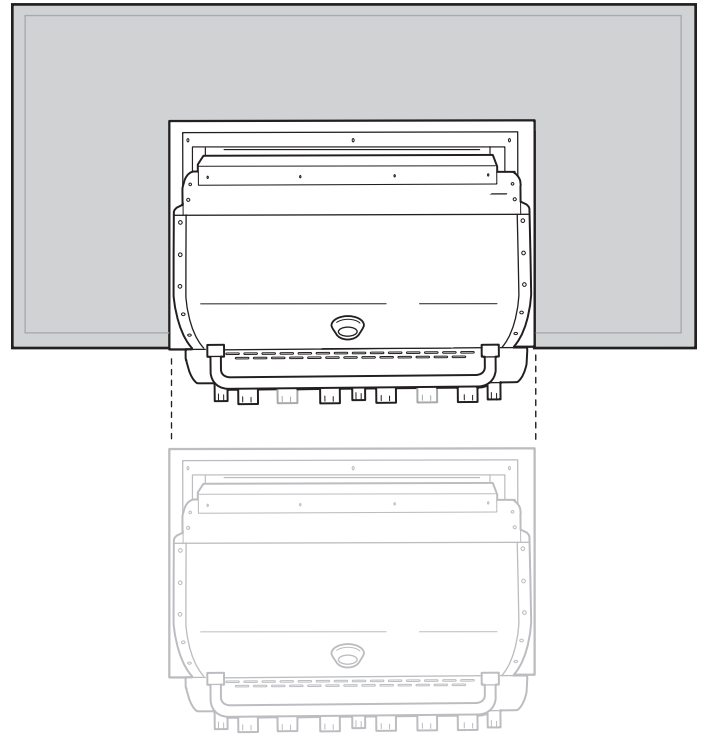


21

Roll grill straight back into enclosure.  
Important Note: Surface must be level.

Ruede la parrilla directamente atrás hacia el compartimiento.  
Nota Importante: La superficie debe estar nivelada.

Faites rouler le grill directement à l'intérieur du meuble.  
Remarque Importante : La surface doit être plane.

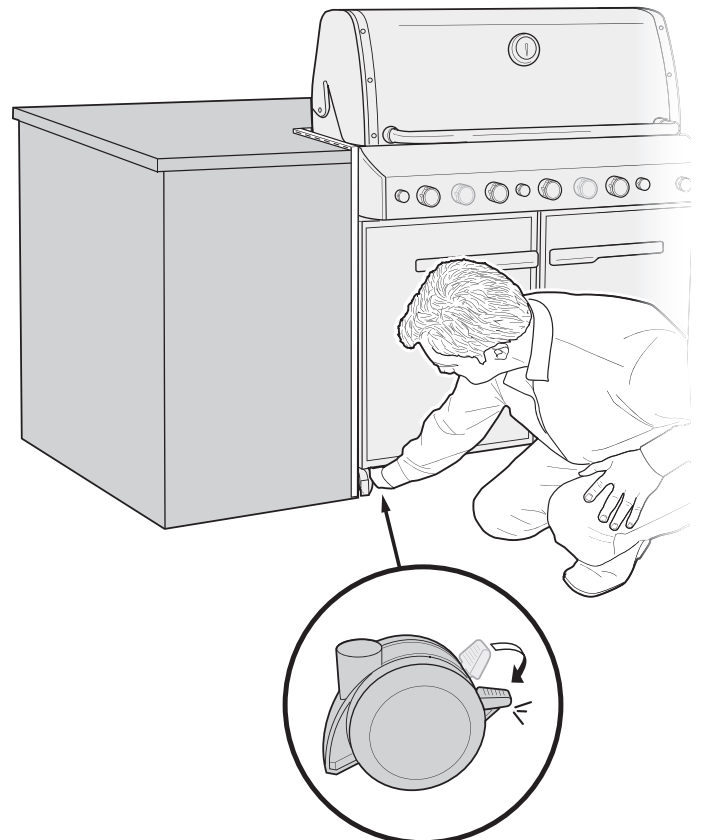
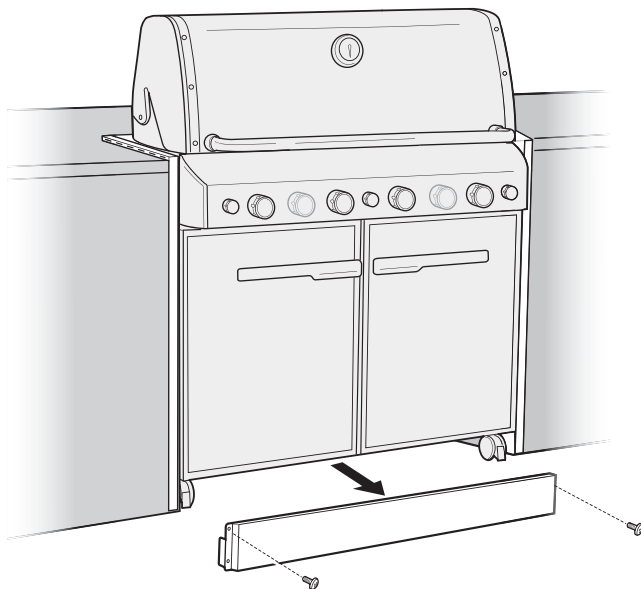


22

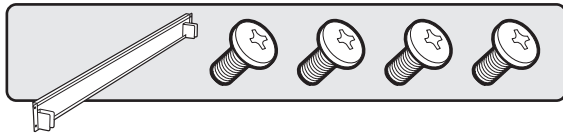
After the grill is properly positioned in the enclosure, remove the front wheel alignment panel. Reach underneath grill and lock the two front casters.

Una vez que la barbacoa esté correctamente ubicada dentro del compartimiento, retire el panel delantero de alineación de las ruedas. Metiendo la mano debajo de la barbacoa, tranque los seguros de las ruedas delanteras.

Une fois que le grill a été positionné correctement à l'intérieur du meuble, retirez le panneau d'alignement des roues avant. Passez sous le grill et verrouillez les deux roulettes avant.



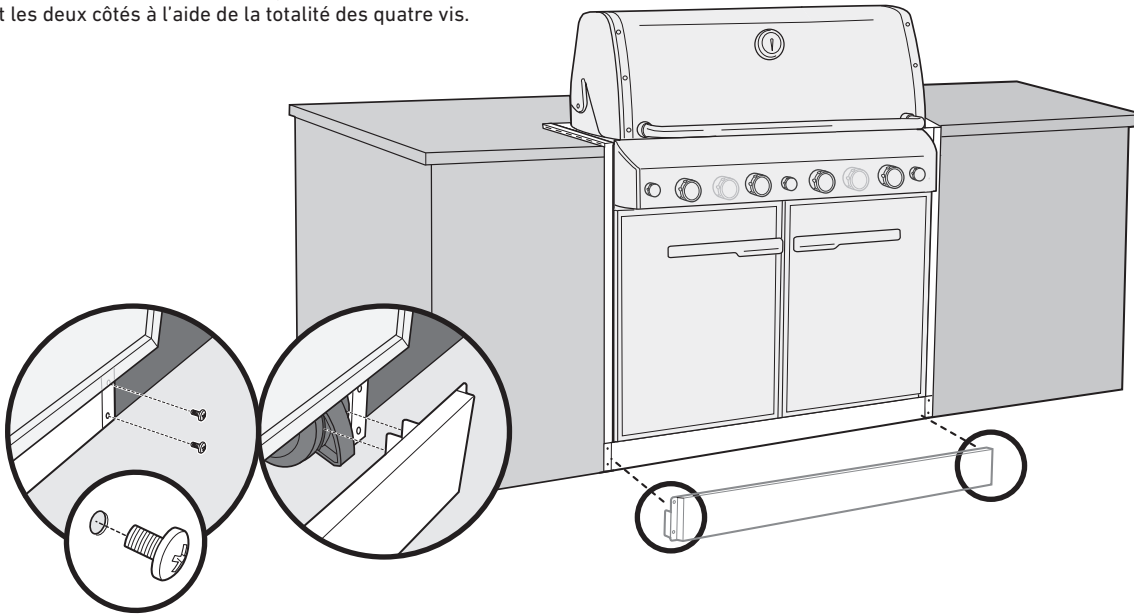
23



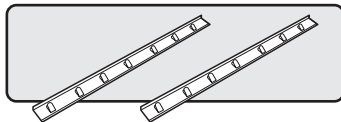
Reinstall the front wheel alignment panel securing both sides with all four screws.

Reinstale el panel delantero de alineación de las ruedas atornillándola a ambos lados con todos los cuatro tornillos.

Remettez en place le panneau d'alignement des roues avant en fixant les deux côtés à l'aide de la totalité des quatre vis.



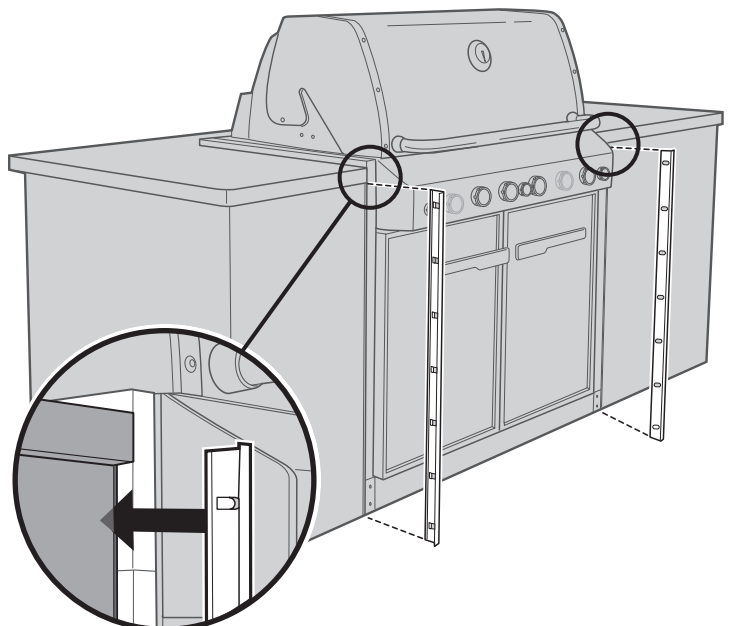
24



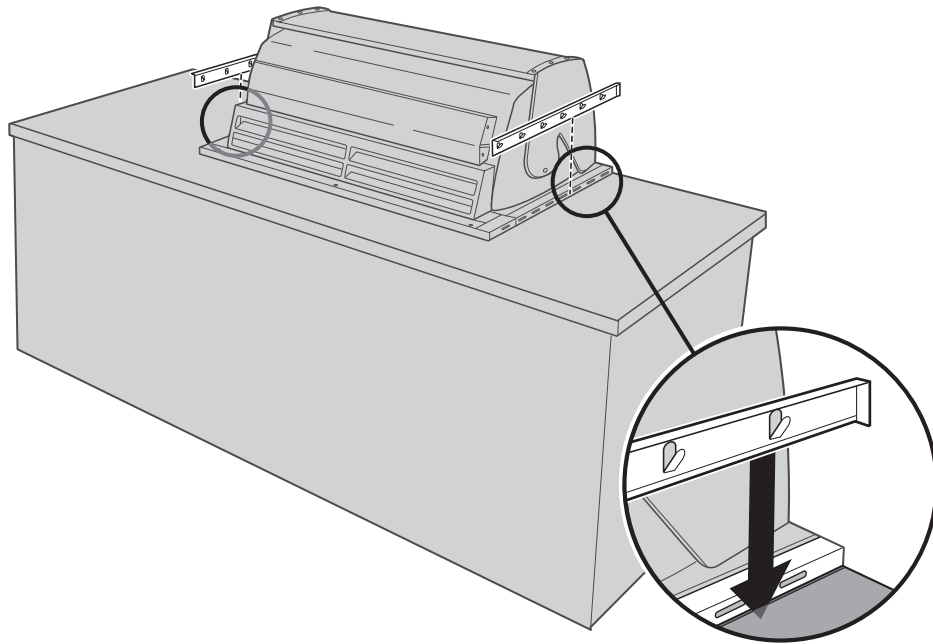
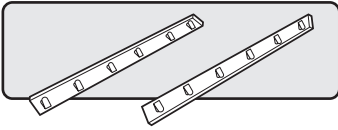
The included filler strips may be used to fill any gaps at the countertop or front of the grill. Install as needed.

Las tiras de relleno incluidas pueden utilizarse para rellenar cualquier separación en la encimera o en la parte delantera de la barbacoa. Instálaslas según se requiera.

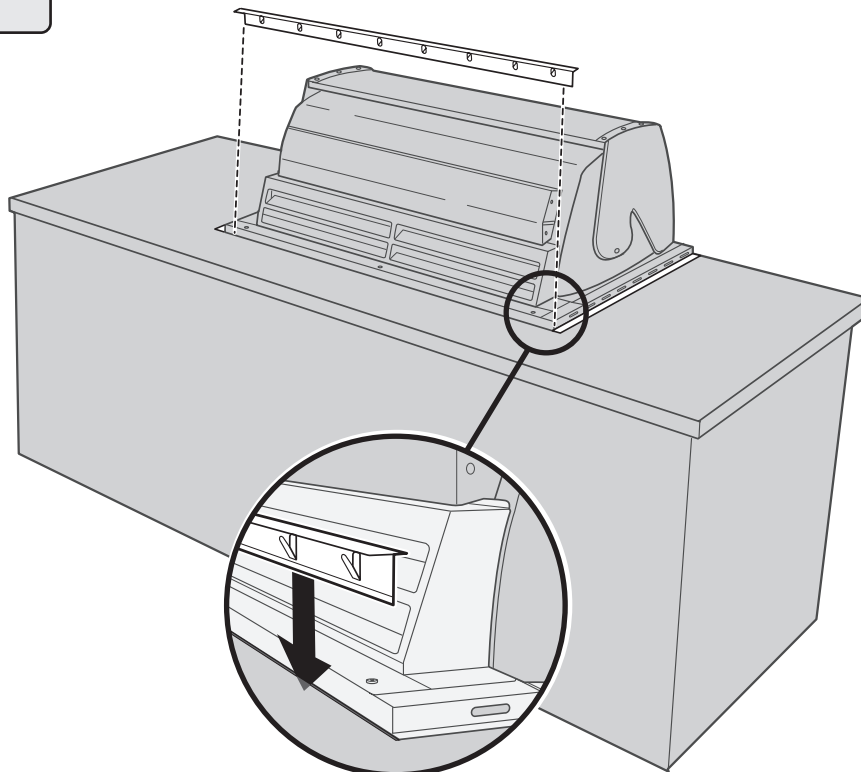
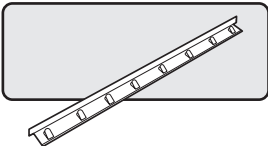
Les bandes de remplissage fournies peuvent être utilisées pour combler tout écart au niveau du plan de travail ou de l'avant du grill. Installez-les selon les besoins.



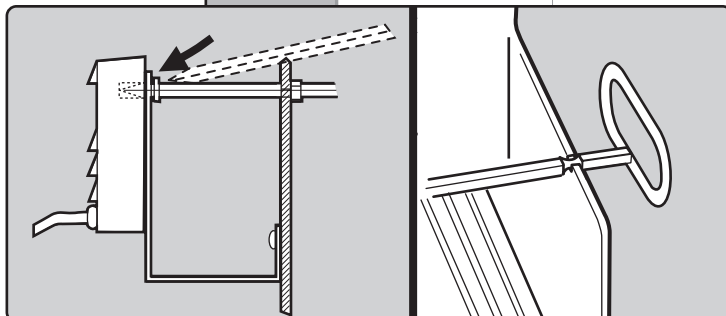
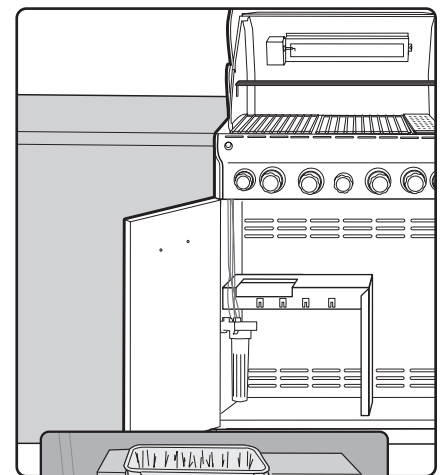
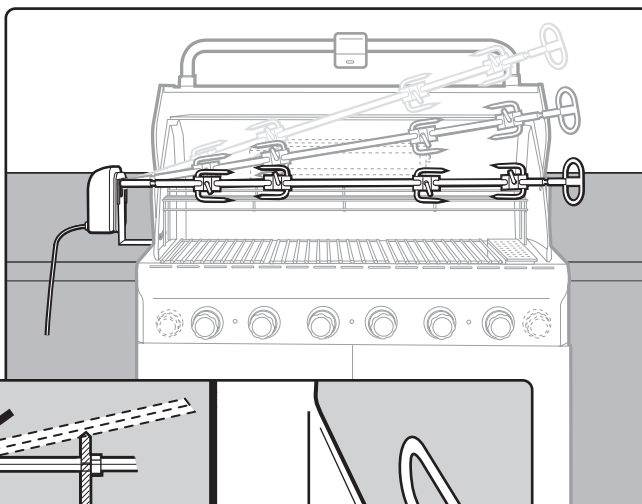
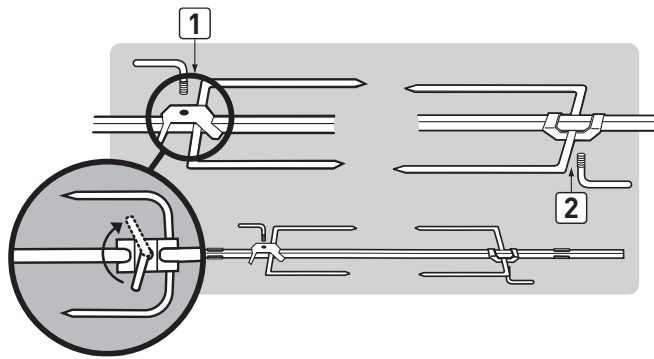
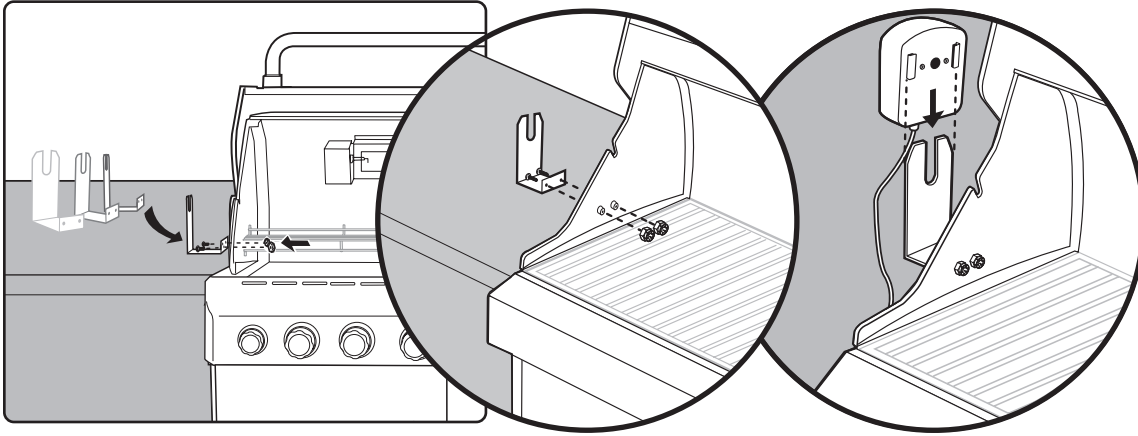
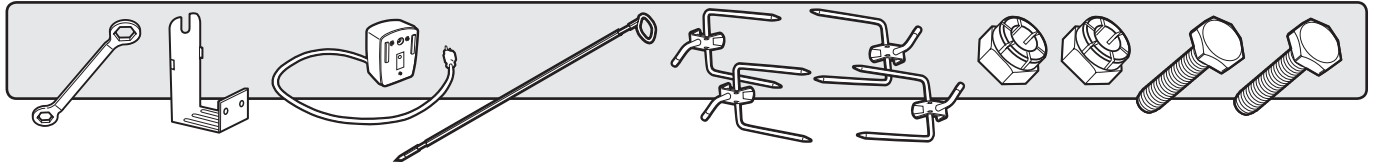
25



26



27





## BUILT-IN GAS LINE LOCATIONS

Note: Leave an access in the "island" structure for gas supply and regulator service that is not inside the grill structure.

Note: Area should be kept clear of sharp, jagged, or extremely abrasive surfaces to avoid possible damage to gas supply lines. Exercise caution when pulling gas lines through built-in structure. ♦

## TYPICAL NATURAL GAS SUPPLY INSTALLATION

We recommend that this installation be done by a LICENSED professional. ♦

### General Specifications For Piping

Note: Contact your local municipality for building codes regulating outdoor gas grill installations. In absence of Local Codes, you must conform to the latest edition of National Fuel Gas Code ANSI Z223.1/NFPA54.

- This grill is designed to operate at 4.5 inches of water column pressure.
- A manual shut-off valve must be installed outdoors, and be accessible, not in the built-in structure. An additional manual shut-off valve indoors should be installed in the branch fuel line in an accessible location near the supply line.

**⚠ CAUTION: If young children are in the area, a locking valve should be considered.**

- Pipe compound that is resistant to the action of liquid propane gas should be used when gas connections are made.
- The gas connections must be firmly attached to a rigid, permanent construction.

Note: The information provided in this manual is general for typical installations. We cannot cover all possible installation ideas. We recommend that, prior to installation, you contact your municipality for local building codes and your local fire department for installation verification.

If you have any questions, contact Customer Service at 1-800-446-1071. ♦

### Gas Line Piping

- Refer to piping chart.
- The corrugated gas line from the manifold is 58" (1,473.2 mm) long. Do not extend the gas line.
- We have provided the means to make an SAE 45° flare connection. Do not use pipe sealant on this connection.
- If the length of line required does not exceed 50 feet, use a 5/8" O.D. tube. One size larger should be used for lengths greater than 50 feet. Refer to piping chart.
- Gas piping may be copper tubing, type K or L; polyethylene plastic tube, with a minimum wall thickness of .062" (1.57 mm); or standard weight (schedule 40) steel or wrought iron pipe.
- Copper tubing must be tin-lined if the gas contains more than 0.3 grams of hydrogen sulfide per 100 cubic feet of gas.
- Plastic tubing is suitable only for outdoor, underground use.
- Gas piping in contact with earth, or any other material which may corrode the piping, must be protected against corrosion in an approved manner.
- Underground piping must have a minimum of 18" cover. ♦

## BUILT-IN GAS LINE LOCATIONS

	460	660	TOLERANCES
<b>1</b>	16 1/2" (419.1 mm)	16 1/2" (419.1 mm)	±1/8" (3.2 mm)
<b>2</b>	11 1/8" (282.6 mm)	11 1/8" (282.6 mm)	±1/8" (3.2 mm)
<b>3</b>	2 1/2" (63.5 mm)	2 1/2" (63.5 mm)	±1/8" (3.2 mm)
<b>a</b>	Plan view right		
<b>b</b>	Side view		
<b>c</b>	Gas inlet		

# GAS SUPPLY

## TEST CONNECTIONS

All connections and joints must be thoroughly tested for leaks in accordance with local codes and all listed procedures in the latest edition of the National Fuel Gas Code ANSI Z223.1/NFPA 54, Natural Gas and Propane Installation Code, CSA B149.1, or Propane Storage and Handling Code, B149.2, or the Standard for Recreational Vehicles, ANSI A 119.2/NFPA 1192, and CSA Z240 RV Series, Recreational Vehicle Code, as applicable.

**⚠ DANGER**

**Do not use an open flame to check for gas leaks. Be sure there are no sparks or open flames in the area while you check for gas leaks. This will result in a fire or explosion which can cause serious bodily injury or death, and damage to property. ♦**

Nominal Pipe Size (Inches)	Actual ID (Inches)	Length of Pipe (Feet)													
		10	20	30	40	50	60	70	80	90	100	125	150	175	200
1/2	.622	131	90	72	62	55	50	46	42	40	38	33	30	28	26
3/4	.824	273	188	151	129	114	104	95	89	83	79	70	63	58	54
1	1.049	514	353	284	243	215	195	179	167	157	148	131	119	109	102
1 1/4	1.380	1,060	726	583	499	442	400	368	343	322	304	269	244	224	209
1 1/2	1.610	1,580	1,090	873	747	662	600	552	514	482	455	403	366	336	313
2	2.067	3,050	2,090	1,680	1,440	1,280	1,160	1,060	989	928	877	777	704	648	602
2 1/2	2.469	4,860	3,340	2,680	2,290	2,030	1,840	1,690	1,580	1,480	1,400	1,240	1,120	1,030	960
3	3.068	8,580	5,900	4,740	4,050	3,590	3,260	3,000	2,790	2,610	2,470	2,190	1,980	1,820	1,700
4	4.026	17,500	12,000	9,660	8,270	7,330	6,640	6,110	5,680	5,330	5,040	4,460	4,050	3,720	3,460

© 2009 National Fire Protection Association, Inc. and International Approval Services - U.S., Inc. All Rights Reserved.

# GAS SUPPLY CONNECTION

## CONNECT GAS SUPPLY

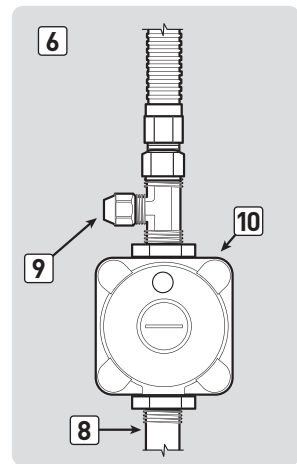
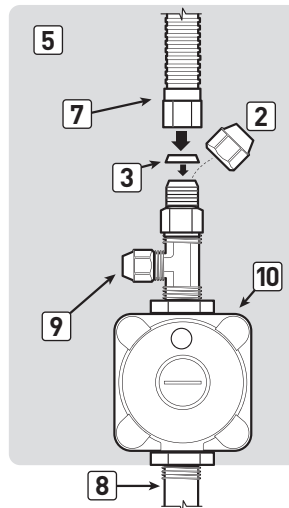
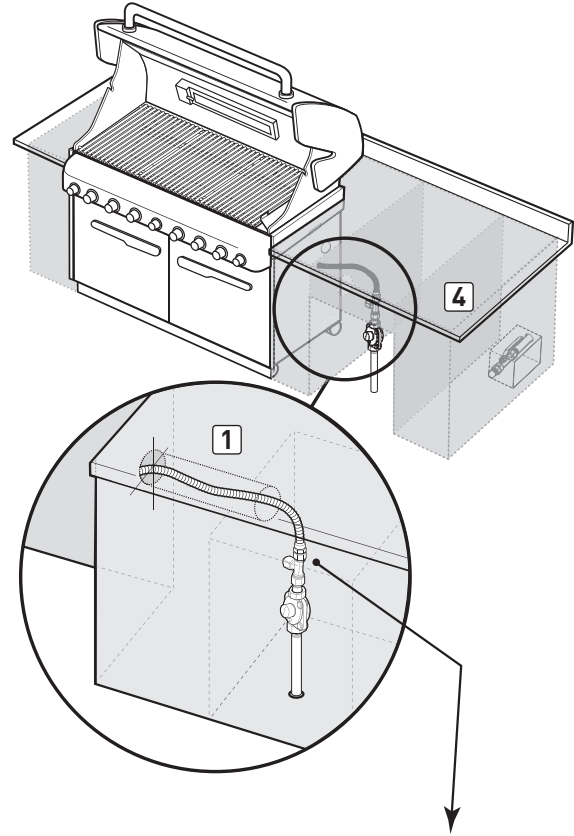
A 58 inch (147.32 cm) corrugated gas line is connected to the manifold of the grill.

- A) The main corrugated line passes through the "island" structure cavity to the bulk head and regulator connection inside the tank enclosure (1).
- B) Uncap the flare fitting from the T-Connection on the bulk head and regulator connection (2).
- C) Connect the main corrugated hose to the T-Connection on bulkhead fitting. Use the 1/2" (12.7 mm) inch flared gasket to ensure proper seal (3).

If you choose to use rigid pipe, semi-rigid tubing, and/or a connector other than the one supplied, the connector must comply with the Standard for Connectors for Outdoor Gas Appliances and Manufactured Homes, ANSI Z21.75\*CSA 6.27, and be suitable for outside installation.

The length of this connector must not exceed 58" (147cm) due to a pressure drop that will occur affecting the performance of the grill. ♦

## CONNECTION CHART



4	Typical natural gas pipe routing
5	Side view
6	Gas line and regulator connected
7	Connecting corrugated gas line to the regulator
8	Hard piped gas supply
9	Cap (optional side burner)
10	Regulator





# SUMMIT

## GUÍA DE INSTALACIÓN DE LA BARBACOA DE GAS NATURAL EMPOTRADA

Ensamblaje - Pg. 10

### ¡Descarga la app WEBER Grills!

Sube a bordo con la app gratuita WEBER Grills. La app WEBER Grills es la respuesta a tus dudas acerca de la cocina a la parrilla y contiene información acerca de todo: desde la instalación del tanque de gas hasta tu primera sesión de asado al aire libre. Personalízala según tu modelo exacto y tus gustos registrando tu asador. Para ello, sólo tienes que contestar unas cuantas preguntas sencillas.

- Ayuda para configurar tu asador e instalar el tanque de gas
- Técnicas y guías de cocina a la parrilla
- Temporizadores y herramientas
- Recetas para todos los gustos
- Menús/recetas de temporada



weber.com

S-460 · S-660

NG

**DEBE LEER ESTA GUÍA DEL PROPIETARIO ANTES DE PONER A FUNCIONAR LA BARBACOA DE GAS.**

#### ⚠ PELIGRO

Si huele a gas:

- 1) Cierre el suministro de gas al artefacto.
- 2) Apague todas las flamas cerrando la válvula general de paso.
- 3) Abra la tapa.
- 4) Llame inmediatamente a la central de fugas o a su proveedor de gas.

Una fuga de gas puede provocar un incendio o explosión que puede resultar en lesiones corporales serias o la muerte, o daños a la propiedad.

Antes de poner a funcionar la asador, siga cuidadosamente todos los procedimientos en este manual para verificar que no existan fugas. Haga esto aun y cuando la asador haya sido ensamblada por el distribuidor.

#### ⚠ ADVERTENCIA

- 1) No almacene gasolina u otros fluidos inflamables en la cercanía de su aparato.
- 2) Ningún tanque de propano licuado que no esté conectado para su uso deberá almacenarse cerca de éste o cualquier otro artefacto doméstico.

No encienda este artefacto sin primero leer las secciones de ENCENDIDO DEL QUEMADOR de este manual.

**ESTE ARTEFACTO A GAS ESTÁ DISEÑADO PARA USARSE SOLAMENTE AL AIRE LIBRE.**

**AVISO AL INSTALADOR:** Estas instrucciones deben permanecer con el propietario, quien las deberá guardar para un futuro uso.

Guarda este manual del propietario para poder consultarlo en el futuro, léelo íntegramente y, si tienes alguna duda, contacta hoy con nosotros.



# ADVERTENCIAS

## ⚠ PELIGRO

El hacer caso omiso de los avisos de peligros, advertencias y precauciones contenidos en este Manual del Propietario pudiera resultar en lesiones corporales serias o la muerte, o en un fuego o explosión que cause daños a la propiedad.

## ⚠ ADVERTENCIAS

- ⚠ No almacene un tanque de propano licuado desconectado o de repuesto debajo o cerca de este asador.
- ⚠ El ensamblaje incorrecto puede ser peligroso. Por favor siga cuidadosamente las instrucciones de ensamblaje.
- ⚠ Tras haber estado guardada o sin uso por algún tiempo, antes de usar la barbacoa de gas WEBER verifique que no existan fugas de gas o obstrucciones en el quemador. Vea en este manual las instrucciones para los procedimientos correctos.
- ⚠ No opere la barbacoa de gas WEBER si existe una fuga de gas.
- ⚠ No utilice una llama abierta para comprobar la existencia de fugas de gas.
- ⚠ Nunca debe haber materiales combustibles a una distancia menor de 24 pulgadas (61 cm) de la parte superior, inferior, trasera o lateral de su asador de gas WEBER.
- ⚠ No coloque una funda para barbacoas ni cualquier otro artículo inflamable sobre o dentro del área de almacenaje ubicada debajo del asador.
- ⚠ Nunca permita que los niños usen la barbacoa de gas WEBER. Algunas partes accesibles de la barbacoa pudieran estar muy calientes. Mantenga alejados a los niños pequeños mientras ésta se esté usando.
- ⚠ Usted debe proceder con razonable cuidado al usar su barbacoa de gas WEBER. Ésta estará caliente al cocinarse en ella o al limpiarla, y nunca deberá dejarse desatendida o moverse mientras esté funcionando.
- ⚠ Si llegasen a apagarse los quemadores, cierre todas las válvulas de gas. Abra la tapa y espere cinco minutos antes de tratar de volver a encender la barbacoa, usando las instrucciones de encendido en este manual.
- ⚠ No use carbón o piedra pómez en su barbacoa de gas WEBER.
- ⚠ No se incline sobre la barbacoa abierta o coloque las manos o dedos en el borde delantero de la caja de cocción.
- ⚠ Si la grasa llegase a agarrar fuego, apague todos los quemadores y mantenga la tapa cerrada hasta que se haya apagado el fuego.
- ⚠ Al limpiar las válvulas o los quemadores, no ensanche los orificios de las válvulas o las aberturas de los quemadores.
- ⚠ La barbacoa de gas WEBER deberá limpiarse a fondo regularmente.
- ⚠ El propano licuado no es gas natural. El uso de gas natural en una unidad de propano licuado o viceversa, propano licuado en una de gas natural, es peligroso y anulará su garantía.

- ⚠ No intente desconectar ninguna conexión de gas mientras la barbacoa esté funcionando.
- ⚠ Mientras opere la barbacoa, utilice guantes resistentes al calor.
- ⚠ Mantenga alejados de todas las superficies calientes a todo cordón eléctrico y a la manguera de suministro de combustible.
- ⚠ Los subproductos de la combustión producidos al usar este producto contienen sustancias químicas que son conocidas por el Estado de la California como causantes de cáncer, defectos de nacimiento, u otros daños reproductivos.
- ⚠ No use esta barbacoa a menos que todas sus partes estén colocadas en su sitio. La unidad debe ensamblarse correctamente de acuerdo con las instrucciones de ensamblaje.

## ÚNICAMENTE UNIDADES DE GAS PROPANO LICUADO

- ⚠ Use el regulador que se suministra con la barbacoa de gas WEBER.
- ⚠ No trate de desconectar el regulador de gas o ninguna conexión de gas mientras esté funcionando la barbacoa.
- ⚠ Un cilindro de propano licuado abollado u oxidado pudiera ser peligroso y deberá ser revisado por su suplidor de propano licuado. No utilice ningún cilindro de propano licuado con una válvula dañada.
- ⚠ Aunque el cilindro de propano licuado pudiera aparentar estar vacío, algo de gas pudiera aún estar presente, por lo que el cilindro deberá transportarse y almacenarse tomando esta posibilidad en consideración.
- ⚠ Si usted ve, huele o escucha el silbido de un escape de gas del cilindro de propano licuado:
  1. Apártese del cilindro de propano licuado.
  2. No trate de corregir el problema usted mismo.
  3. Llame al cuerpo de bomberos local. ♦

## PROPOSICIÓN 65 DE CALIFORNIA:

- ⚠ **ADVERTENCIA:** Los subproductos de la combustión al utilizar este producto contienen sustancias químicas reconocidas por el estado de California como causantes de cáncer, defectos congénitos u otros daños reproductivos.
- ⚠ **PROPOSICIÓN 65 ADVERTENCIA:** La manipulación de las partes de latón de este producto le expone al plomo, una sustancia química reconocida por el estado de California como causante de cáncer, defectos congénitos u otros daños reproductivos. *Lávese las manos después de utilizar este producto.*

# DIMENSIONES DEL CORTE DEL EMPOTRAMIENTO

## OPCIONES DE CONFIGURACIÓN DE LAS ESTRUCTURAS DE LAS "ISLAS"

Hay muchas opciones disponibles para ubicar los principales componentes en las estructuras de las "islas." Los componentes principales son:

- 1) La Barbacoa Empotrada
- 2) El compartimiento del suministro de gas
- 3) El quemador lateral accesorio opcional

En la tabla "Opciones de Configuración de las Estructuras de las 'Islas'" se ilustran las tres opciones comunes (A, B, C).

**Nota: Limitación de la línea de gas**

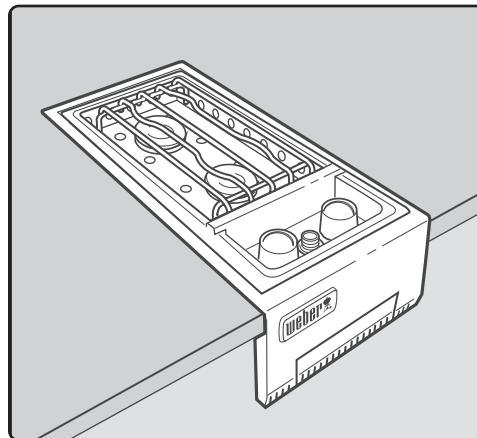
La manguera del suministro de gas desde el múltiple de la barbacoa al tabique de suministro de gas no debe ser mayor de 58" (147 cm). La manguera de 3/8" (9.52 mm) del quemador lateral accesorio (no incluida) no debe exceder de 58" (147 cm). ♦

### OPCIONES DE CONFIGURACIÓN DE LAS ESTRUCTURAS DE LAS "ISLAS"

1	Barbacoa Empotrada SUMMIT
2	Suministro de gas
3	Quemador lateral accesorio opcional

**NOTA: SI USTED HA COMPRADO UN QUEMADOR LATERAL**

Si usted ha comprado un quemador lateral accesorio con la Barbacoa de Gas SUMMIT, WEBER le recomienda que lea la GUÍA DEL PROPIETARIO/DE INSTALACIÓN DEL QUEMADOR LATERAL SUMMIT antes de diseñar su estructura de "isla." ♦



# DIMENSIONES DEL CORTE DEL EMPOTRAMIENTO

## DETALLES GENERALES DE LA CONSTRUCCIÓN

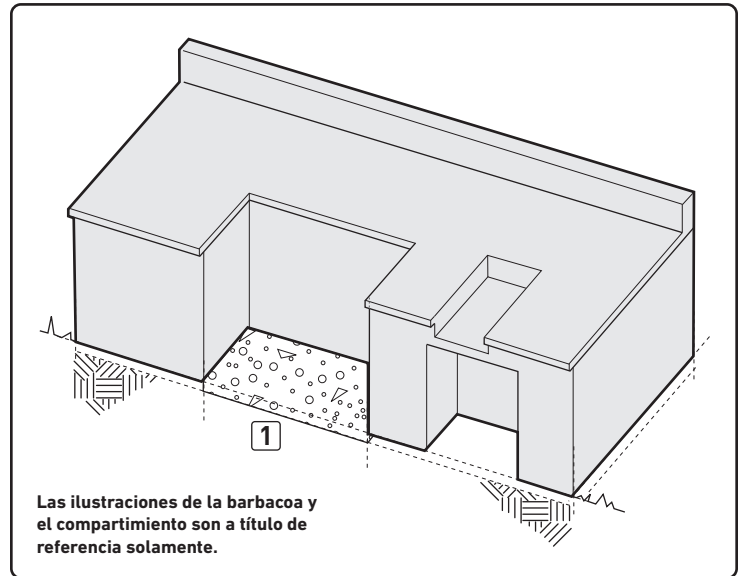
La Unidad Empotrada SUMMIT y todos los demás accesorios deberán estar en el lugar antes de comenzar la construcción.

Para facilitar la instalación, la barbacoa deberá empujarse sobre sus ruedas dentro de la estructura empotrada.

La instalación de esta barbacoa requiere que las superficies del piso de apoyo (1) y de la encimera estén nivelados. La superficie del piso de apoyo debe construirse a partir de materiales sólidos y debe estar nivelada y llana. Se deben utilizar materiales apropiados en la capa de asiento debajo del piso de apoyo para prevenir que los mismos se asienten y ahuequen.

### Tomacorriente para el Asador Giratorio

Si la estructura de soporte va a tener un tomacorriente para un asador giratorio, éste deberá estar del lado izquierdo de la estructura. ♦



## DIMENSIONES DEL CORTE DE LA ESTRUCTURA EMPOTRADA

Todas las dimensiones son con respecto a las superficies acabadas.

⚠ **ADVERTENCIA:** Todas las superficies de acabado de las encimeras deben construirse con materiales no combustibles. ♦

### DIMENSIONES GENERALES DEL CORTE DEL EMPOTRADO

	460	660	TOLERANCIAS
1	34" (864 mm)	42" (1067 mm)	±1/4" (6 mm)
2	36" (914 mm)	36" (914 mm)	max
3	24 5/16" (618 mm)	24 5/16" (618 mm)	±1/4" (6 mm)

# DIMENSIONES DEL CORTE DEL EMPOTRAMIENTO

## UBICACIÓN DE LA BARBACOA

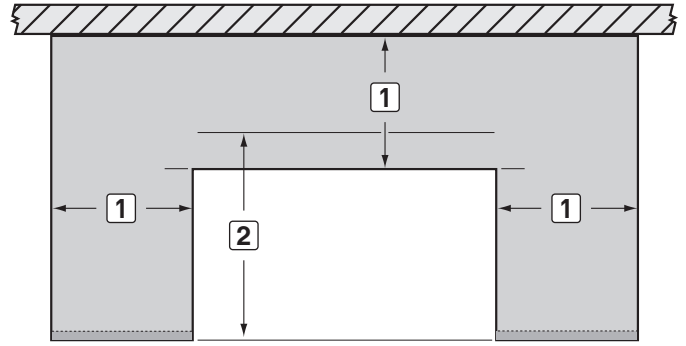
Al seleccionar una ubicación adecuada para la instalación de la Barbacoa de Gas SUMMIT, preste atención a tales asuntos como la exposición al viento, la proximidad al paso de la gente y en mantener cualquier línea de suministro de gas lo más corta posible. Nunca coloque La Barbacoa de Gas SUMMIT en un garaje, pasadizo techado, cobertizo, bajo un voladizo desprotegido o cualquier área encerrada. Coloque la barbacoa y la estructura en un sitio donde exista suficiente espacio para poder evacuarse de manera segura en caso de un fuego.

## SEPARACIÓN DE LAS SUPERFICIES O ESTRUCTURAS

**⚠ ADVERTENCIA:** La estructura, la "isla," las encimeras, y las áreas de trabajo adyacentes a la instalación de la Barbacoa Empotrada deben construirse exclusivamente con materiales no combustibles.

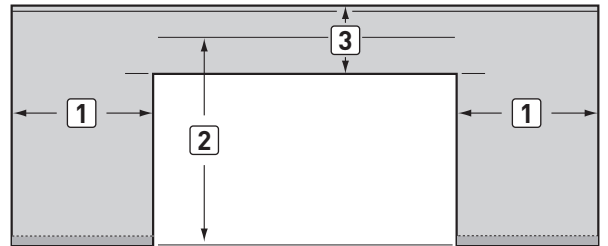
*NOTA:* Si tuviese cualquier pregunta sobre que materiales son considerados no combustibles, póngase en contacto con su proveedor local de materiales de construcción o con el cuerpo de bomberos. ♦

## SEPARACIONES - INSTALACIÓN ADYACENTE A UNA ESTRUCTURA



1	24" (610 mm) cualquier superficie
2	27" (686 mm) espacio libre mínimo para la tapa

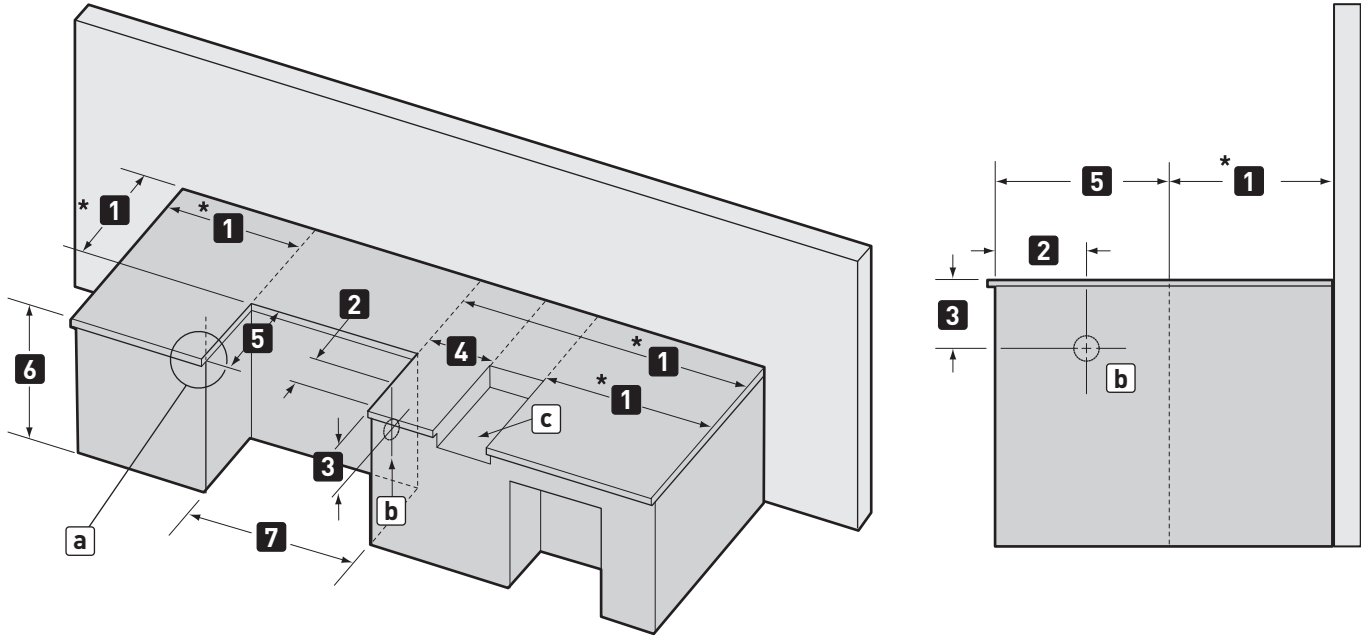
## SEPARACIONES - INSTALACIÓN TIPO "ISLA"



1	24" (610 mm) cualquier superficie
2	27" (686 mm) espacio libre mínimo para la tapa
3	10 ½" (267 mm) mínimo

# DIMENSIONES DEL CORTE DEL EMPOTRAMIENTO

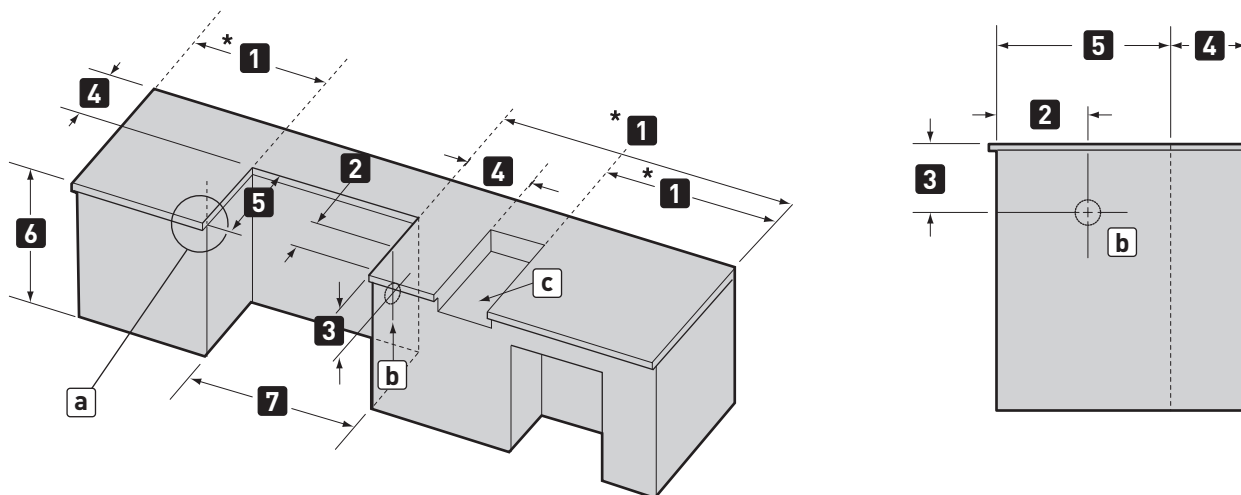
## DIMENSIONES DETALLADAS DEL CORTE PARA BARBACOAS EMPOTRADAS - INSTALACIÓN ADYACENTE A UNA ESTRUCTURA



		460	660
<b>DIMENSIONES</b>	*1	24" mínimo* (610 mm)	24" mínimo* (610 mm)
	2	16 ½" (419 mm)	16 ½" (419 mm)
	3	11 ⅞" (283 mm)	11 ⅞" (283 mm)
	4	10 ½" (267 mm) mínimo	10 ½" (267 mm) mínimo
	5	24 ⅝" (618 mm)	24 ⅝" (618 mm)
	6	36" (914 mm) máximo	36" (914 mm) máximo
	7	34" (864 mm) bastidor empotrado	42" (1067 mm) bastidor empotrado
a	Para el tratamiento de la encimera: se recomienda un saliente de ¾" (19 mm)		
b	Entrada de gas		
c	Abertura del quemador lateral		
*El espacio libre entre cualquier superficie o estructura y la parte posterior y los lados de la barbacoa o el quemador lateral es de por lo menos 24" (610 mm).			

# DIMENSIONES DEL CORTE DEL EMPOTRAMIENTO

## DIMENSIONES DETALLADAS DEL CORTE PARA BARBACOAS EMPOTRADAS- INSTALACIÓN TIPO "ISLA"



		460	660
<b>DIMENSIONES</b>	*1	24" mínimo* (610 mm)	24" mínimo* (610 mm)
	2	16 ½" (419 mm)	16 ½" (419 mm)
	3	11 ⅞" (283 mm)	11 ⅞" (283 mm)
	4	10 ½" (267 mm) mínimo	10 ½" (267 mm) mínimo
	5	24 ⅝" (618 mm)	24 ⅝" (618 mm)
	6	36" (914 mm) máximo	36" (914 mm) máximo
	7	34" (864 mm) bastidor empotrado	42" (1067 mm) bastidor empotrado
	a	Para el tratamiento de la encimera: se recomienda un saliente de ⅜" (19 mm)	
	b	Entrada de gas	
	c	Abertura del quemador lateral	
*El espacio libre entre cualquier superficie o estructura y la parte posterior y los lados de la barbacoa o el quemador lateral es de por lo menos 24" (610 mm).			

## VENTILACIÓN

**⚠ ADVERTENCIA: Se deben proporcionar orificios de ventilación en la parte superior e inferior de la estructura para brindar ventilación en caso de una fuga de gas.**

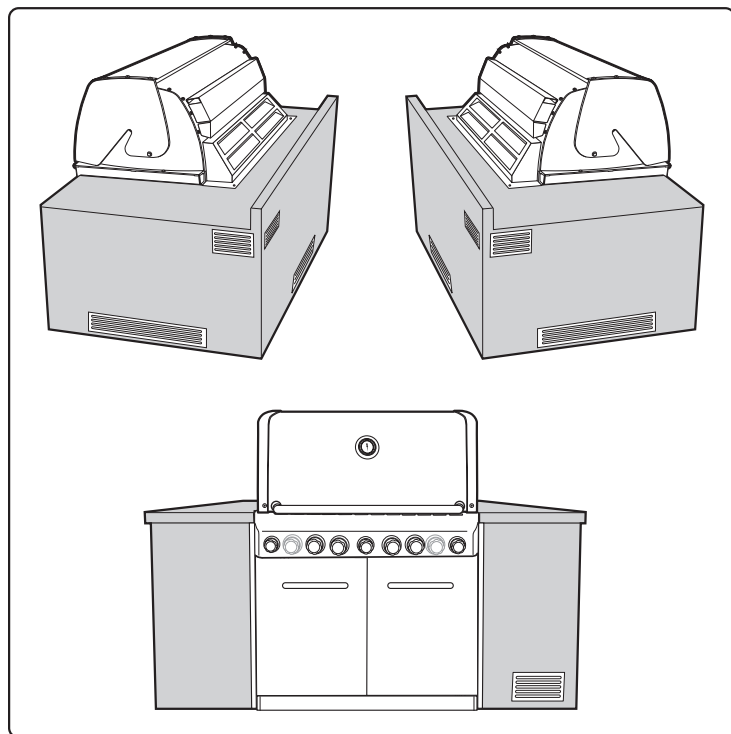
Los orificios de ventilación pueden estar ubicados en puntos poco visibles y deberán estar protegidos con una malla para prevenir que roedores e insectos entren a la estructura. Los orificios de ventilación también ayudarán a secar cualquier humedad.

*Nota: Estos dibujos son solamente una referencia.*

- Se debe incorporar ventilación cruzada en la estructura de soporte. Recomendamos por lo menos 100 pulgadas cuadradas (254 cm cuadrados) de ventilación por lado.
- Deberán haber respiraderos en dos lados de la estructura.
- Los dibujos indicados son solamente de referencia.
- La ubicación de los respiraderos deberá ser del centro hacia afuera.
- Coloque los respiraderos tanto en el fondo de la estructura como en la parte superior de la misma.
- Los respiraderos del fondo deberán estar lo más cerca posible del suelo. Asegúrese de que el área de ventilación no esté bloqueada por los soportes internos de la estructura.
- Recomendamos respiraderos con mallas.
- Las puertas de acceso a la estructura no se consideran respiraderos.
- Limpie los respiraderos con regularidad.

### **⚠ PELIGRO**

**El no acatar las instrucciones respecto a la ventilación mínima recomendada puede causar que el gas se acumule en la estructura si hubiese una fuga de gas. Esto pudiera resultar en un fuego o explosión, los cuales pueden causar graves lesiones corporales o la muerte, y daños a la propiedad. ♦**





## UBICACIONES DE LAS LÍNEAS DE GAS EMPOTRADAS

Nota: Deje un acceso en la estructura "isla" para el suministro de gas y el servicio regulador que no se encuentra dentro de la estructura de la barbacoa.

Nota: La zona no deberá tener superficies afiladas, dentadas, o muy abrasivas a fin de evitar posibles daños a las líneas de suministro de gas. Tenga cuidado al halar las líneas de gas a través de la estructura de empotramiento. ♦

## INSTALACIÓN TÍPICA PARA EL SUMINISTRO DE GAS NATURAL

Recomendamos que esta instalación sea ejecutada por un profesional CERTIFICADO. ♦

### Especificaciones Generales para la Tubería

Nota: Póngase en contacto con la municipalidad de la localidad para obtener los códigos de construcción que regulan las instalaciones de las barbacoas a gas al aire libre. En la ausencia de códigos locales, deberá acatar la más reciente edición del código de gas "National Fuel Gas Code ANSI Z223.1/NFPA 54."

- Esta barbacoa está diseñada para operar bajo una presión de 4.5 pulgadas de columna de agua.
- Una válvula de cierre manual debe instalarse en una ubicación accesible al aire libre y no en la estructura empotrada. Una válvula de cierre adicional bajo techo deberá instalarse en la línea auxiliar de gas combustible en una ubicación accesible cerca de la línea de suministro.

### ⚠ PRECAUCIÓN: Si en la zona hay niños presentes, debería considerarse una válvula de bloqueo.

- Se deberá utilizar un compuesto para el pegado de las tuberías que sea resistente a la acción del gas propano licuado cuando se haga la conexión al gas.
- Las conexiones de gas deben fijarse firmemente a elementos de construcción rígidos y permanentes.

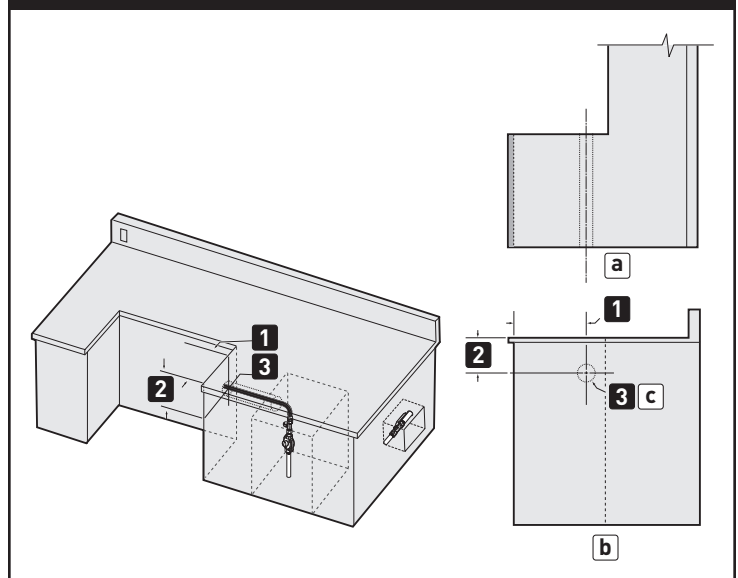
Nota: La información provista en este manual es una información general para instalaciones típicas. No podemos cubrir todas las ideas posibles de instalación. Le recomendamos, previo a la instalación, que se ponga en contacto con su municipalidad para averiguar los códigos de construcción pertinentes y con el departamento de bomberos para que verifiquen la instalación.

Si tuviese cualquier pregunta, póngase en contacto con Atención al Cliente por el 1-800-446-1071. ♦

### Tubería de la Línea de Gas

- Refiérase al cuadro de las tuberías en la parte inferior de la página anterior.
- La línea corrugada de gas proveniente del múltiple tiene 58 pulgadas (1,473.2 mm) de largo. No extienda la línea de gas.
- Hemos proporcionado los medios para hacer una conexión tipo asiento de compresión ("flare") de 45°. No utilice sellante de tubería en esta conexión.
- Si la longitud de la línea requerida no excede los 50 pies, utilice un tubo de 5/8" de diámetro externo. Se deberá usar el siguiente tamaño mayor para longitudes superiores a los 50 pies. Refiérase al cuadro de la tubería.
- La tubería de gas deberá ser de tubo de cobre, tipo K o L; tubo plástico de polietileno, con un espesor de pared de por lo menos 0.062 pulgadas (1.57 mm); o tubería de peso estándar (cédula 40) de acero o de hierro dulce.
- Los tubos de cobre deberán estar revestidos de estaño si el gas contiene más de 0.3 gramos de sulfuro de hidrógeno por 100 pies cúbicos de gas.
- La tubería de plástico es sólo apta para uso subterráneo en exteriores.
- La tubería de gas en contacto con la tierra, o cualquier otro material que pudiera corroerla, debe estar protegida contra la corrosión de una manera aprobada.
- Las tuberías bajo tierra deberá tener una cubierta mínima de 18". ♦

## UBICACIONES DE LAS LÍNEAS DE GAS EMPOTRADAS



	460	660	TOLERANCIAS
1	16 1/2" (419.1 mm)	16 1/2" (419.1 mm)	±1/8" (3.2 mm)
2	11 1/8" (282.6 mm)	11 1/8" (282.6 mm)	±1/8" (3.2 mm)
3	2 1/2" (63.5 mm)	2 1/2" (63.5 mm)	±1/8" (3.2 mm)
a	Vista en planta derecho		
b	Vista lateral		
c	Entrada de gas		

# SUMINISTRO DE GAS

## PRUEBE LAS CONEXIONES

En la ausencia de códigos locales, debe acatar la más reciente edición del código nacional "National Fuel Gas Code ANSI Z223.1/NFPA 54," del código "Natural Gas and Propane Installation Code, CSA B149.1," o del código "Propane Storage and Handling Code, B149.2," o de las normas "Standard for Recreational Vehicles, ANSI A 119.2/NFPA 1192," y "CSA Z240 RV Series, Recreational Vehicle Code," según aplique.

### ⚠ PELIGRO

**No utilice una llama abierta para comprobar si existen fugas de gas. Asegúrese de que no haya chispas o llamas abiertas en el área mientras comprueba si existen fugas. Chispas o llamas causarán un fuego o explosión, las cuales pueden causar serias lesiones corporales o la muerte, y daños a la propiedad. ♦**

Cuadro 6.2(a)		Capacidad Máxima de la Tubería en Pies Cúbicos de Gas por Hora para Presiones de Gas de 2 psi o Menos y Caídas de Presión de 0.3 Pulgadas de Columna de Agua (Basado en una Gravedad Específica del Gas de 0.60)													
Nominal Tubería Tamaño (Pulgadas)	Diámetro Interno (Pulgadas)	Longitud de Tubería (Pies)													
		10	20	30	40	50	60	70	80	90	100	125	150	175	200
1/2	.622	131	90	72	62	55	50	46	42	40	38	33	30	28	26
3/4	.824	273	188	151	129	114	104	95	89	83	79	70	63	58	54
1	1.049	514	353	284	243	215	195	179	167	157	148	131	119	109	102
1 1/4	1.380	1,060	726	583	499	442	400	368	343	322	304	269	244	224	209
1 1/2	1.610	1,580	1,090	873	747	662	600	552	514	482	455	403	366	336	313
2	2.067	3,050	2,090	1,680	1,440	1,280	1,160	1,060	989	928	877	777	704	648	602
2 1/2	2.469	4,860	3,340	2,680	2,290	2,030	1,840	1,690	1,580	1,480	1,400	1,240	1,120	1,030	960
3	3.068	8,580	5,900	4,740	4,050	3,590	3,260	3,000	2,790	2,610	2,470	2,190	1,980	1,820	1,700
4	4.026	17,500	12,000	9,660	8,270	7,330	6,640	6,110	5,680	5,330	5,040	4,460	4,050	3,720	3,460

© 2009 National Fire Protection Association, Inc. e International Approval Services - U.S., Inc. Todos los derechos reservados.

# CONEXIÓN DEL SUMINISTRO DE GAS

## CONECTAR EL SUMINISTRO DE GAS

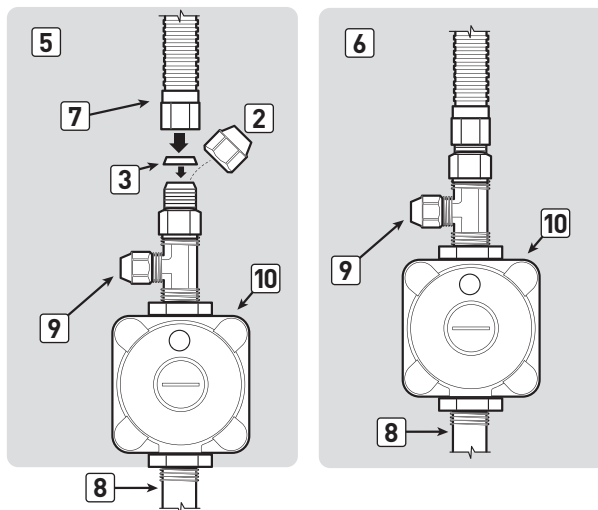
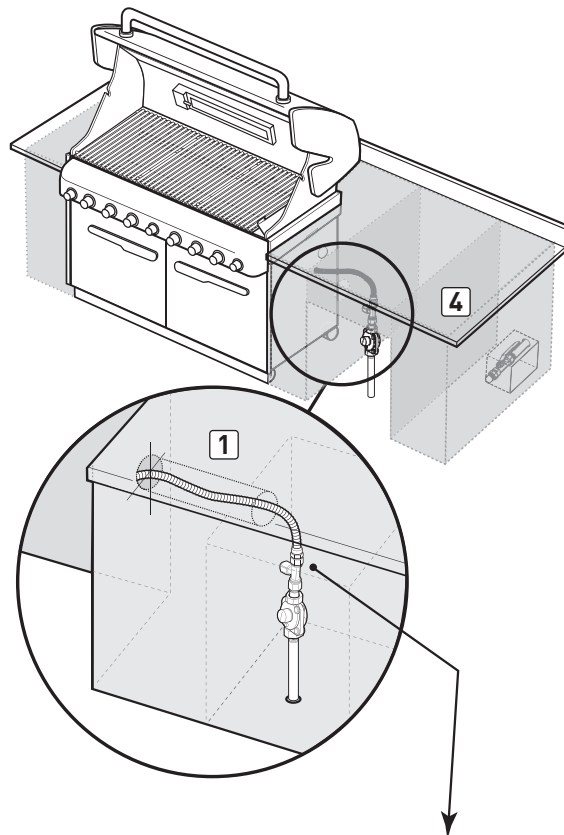
Una línea de gas corrugada de 58 pulgadas (147.32 cm) se conecta al múltiple de la barbacoa.

- A) La línea principal corrugada pasa a través de la cavidad de la estructura de la "isla" a la conexión entre el tabique y el regulador dentro del compartimiento del tanque (1).
- B) Destape el accesorio acampanado de la Conexión tipo T en la conexión entre el tabique y el regulador (2).
- C) Conecte la manguera corrugada principal a la conexión T en la conexión del tabique. Utilice la empaquetadura abocinada de 1/2 pulgada (12.7 cm) para asegurar un sellado correcto (3).

Si decide usar tubería rígida, tubería semi-rígida o un conector diferente al suministrado, el conector debe cumplir con las normas para conectores para aparatos de gas de uso exterior y casas prefabricadas (Standard for Connectors for Outdoor Gas Appliances and Manufactured Homes) ANSI Z21.75\*CSA 6.27 y debe ser adecuada para instalarse en exteriores.

La longitud de este conector no debe exceder 58 pulgadas (147 cm) debido a que la caída de presión que se presentaría afectaría el rendimiento del asador. ♦

## CUADRO DE CONEXIONES



4	Trayecto típico para tuberías de gas natural
5	Vista lateral
6	Línea de gas y regulador conectados
7	Conexión de la línea de gas corrugada al regulador
8	Suministro de gas por tubería fija
9	Tapa (quemador lateral opcional)
10	Regulador





# SUMMIT

## GUIDE POUR L'INSTALLATION DU GRILL À GAZ NATUREL INTÉGRÉ

Assemblage - Pg. 10

### Téléchargez l'application WEBER Grills!

Pour commencer, profitez de l'application gratuite WEBER Grills. L'application WEBER répondra à toutes vos questions en matière de cuisson sur le grill, et vous guidera à chaque étape, de l'installation du réservoir à gaz à votre premier barbecue. Personnalisez-la selon votre modèle (et vos goûts) en répondant à quelques questions simples afin d'enregistrer votre appareil.

- Réglage du barbecue et installation du réservoir à gaz
- Guides et méthodes de cuisson
- Minuteries et outils
- Recettes pour tous les goûts
- Menus et recettes de saison



weber.com

S-460 · S-660

NG

**VOUS DEVEZ LIRE CE MODE D'EMPLOI AVANT D'UTILISER VOTRE GRILL A GAZ.**

#### ⚠ DANGER

S'il y a une odeur de gaz :

- 1) Coupez l'admission de gaz de l'appareil.
- 2) Éteindre toute flamme nue.
- 3) Ouvrir le couvercle.
- 4) Si l'odeur persiste, éloignez-vous de l'appareil et appelez immédiatement le fournisseur de gaz ou le service d'incendie.

Une fuite de gaz risque de provoquer un incendie ou une explosion susceptible d'occasionner des blessures graves, voire mortelles, ou des dégâts matériels.

Suivez toutes les procédures de détection des fuites de ce manuel avec soin avant d'utiliser le barbecue. Faites-le même si le barbecue a été assemblé par le revendeur.

#### ⚠ AVERTISSEMENT

- 1) Ne pas entreposer ni utiliser de l'essence ni d'autres vapeurs ou liquides inflammables dans le voisinage de l'appareil, ni de tout autre appareil.
- 2) Une bouteille de propane qui n'est pas raccordée en vue de son utilisation, ne doit pas être entreposée dans le voisinage de cet appareil ou de tout autre appareil.

N'allumez pas cet appareil sans lire d'abord les sections traitant de L'ALLUMAGE DU BRULEUR de ce manuel.

**CET APPAREIL A GAZ EST CONÇU POUR UNE UTILISATION À L'EXTERIEUR UNIQUEMENT.**

**NOTE A L'INTENTION DE L'INSTALLATEUR :** les présentes instructions doivent être remises au propriétaire et le propriétaire devrait les conserver pour les utiliser plus tard.

Lisez attentivement le présent manuel du propriétaire et conservez-le à titre de référence.



FC - FRENCH CANADIAN

## ⚠ DANGER

Le non respect des consignes intitulées Danger, Mise en garde et Attention contenues dans le présent Mode d'emploi peut entraîner une blessure grave ou la mort, ou un incendie ou une explosion provoquant des dommages à la propriété.

### ⚠ MISES EN GARDE

- ⚠ Ne stockez pas de bouteille de gaz propane liquide de recharge ou de bouteille de gaz propane liquide débranchée au-dessous ou à proximité de ce barbecue.
- ⚠ Un mauvais montage peut se révéler dangereux. Veuillez suivre les instructions de montage avec soin.
- ⚠ Après une période de stockage et/ou d'inutilisation, le barbecue à gaz WEBER devrait faire l'objet d'une vérification visant à détecter toute fuite et toute obstruction des brûleurs avant toute utilisation. Voir les instructions de ce manuel pour les procédures correctes.
- ⚠ N'utilisez pas le barbecue à gaz WEBER en cas de fuite.
- ⚠ N'utilisez pas de flamme pour détecter les fuites de gaz.
- ⚠ Aucune matière inflammable ne devrait jamais se trouver dans un rayon de 61 cm par rapport à l'arrière ou aux côtés de votre barbecue à gaz WEBER.
- ⚠ Ne placez pas de bâche de protection de barbecue ni aucune matière inflammable sur la barbecue ou dans la zone de stockage au-dessous du barbecue.
- ⚠ Votre barbecue à gaz WEBER ne devrait jamais être utilisé par des enfants. Les pièces accessibles du barbecue peuvent atteindre une température très élevée. Maintenez les jeunes enfants à l'écart pendant son utilisation.
- ⚠ Vous devriez faire preuve d'une prudence raisonnable lorsque vous utilisez votre barbecue à gaz WEBER. Celui-ci sera très chaud pendant la cuisson ou le nettoyage et ne devrait jamais être laissé sans surveillance ni déplacé pendant son utilisation.
- ⚠ Si les brûleurs s'éteignent pendant l'utilisation, fermez toutes les valves de gaz. Ouvrez le couvercle puis patientez cinq minutes avant d'essayer de rallumer les brûleurs, en utilisant les instructions pour l'allumage.
- ⚠ N'utilisez pas de charbon de bois ni de pierres de lave dans votre barbecue à gaz WEBER.
- ⚠ Ne vous penchez jamais au-dessus du grill ouvert ou ne placez jamais les mains ou les doigts sur l'extrémité avant du boîtier de cuisson.
- ⚠ Si un feu de graisse se produisait, fermez tous les brûleurs et laissez le couvercle fermé jusqu'à ce que le feu s'éteigne.
- ⚠ N'élargissez pas les orifices des valves ou les ports des brûleurs lorsque vous nettoyez les valves ou les brûleurs.
- ⚠ Le barbecue à gaz WEBER devrait être nettoyé méticuleusement de façon régulière.
- ⚠ Le gaz propane liquide n'est pas du gaz naturel. La conversion ou la tentative d'utilisation de gaz naturel dans un appareil à propane liquide ou de gaz propane liquide dans un appareil à gaz naturel est dangereuse et annulera votre garantie.
- ⚠ Ne tentez pas de déconnecter un raccord de gaz pendant que votre barbecue est en fonctionnement.

- ⚠ Utilisez des gants pour barbecue résistants à la chaleur lorsque vous utilisez le barbecue.
- ⚠ Maintenez tout cordon électrique d'alimentation ainsi que le tuyau d'alimentation en combustible à l'écart de toute surface chauffée.
- ⚠ Les dérivés de combustion générés lors de l'utilisation de ce produit contiennent des agents chimiques reconnus par l'État de Californie comme provoquant des cancers, des anomalies congénitales ou d'autres troubles de la reproduction.
- ⚠ N'utilisez ce barbecue que si toutes les pièces sont en place. L'appareil doit être correctement assemblé conformément aux instructions d'assemblage. ♦

### APPAREILS A GAZ PROPANE UNIQUEMENT:

- ⚠ Utilisez l'ensemble régulateur de pression et tuyau fourni avec votre barbecue à gaz WEBER.
- ⚠ Ne tentez pas de déconnecter l'ensemble régulateur et tuyau de gaz ni tout autre raccord de gaz pendant que vous utilisez votre barbecue.
- ⚠ L'utilisation d'une bouteille de gaz propane liquide comportant une bosse ou d'une bouteille rouillée peut être dangereuse et une telle bouteille devrait être vérifiée par votre fournisseur de propane. N'utilisez pas une bouteille de propane liquide dont la valve est détériorée.
- ⚠ Bien que votre bouteille de propane liquide puisse sembler vide, il est possible qu'elle contienne encore du gaz, et la bouteille devrait être transportée et stockée en conséquence.
- ⚠ Si vous voyez, sentez ou entendez du gaz s'échapper de la bouteille de propane liquide:
  1. Eloignez-vous de la bouteille de propane liquide.
  2. Ne tentez pas de corriger le problème vous-même.
  3. Appelez votre service incendie. ♦

### PROPOSITION 65 - CALIFORNIE :

- ⚠ **AVERTISSEMENT** : les produits dérivés de la combustion formés lors de l'utilisation de ce produit contiennent des produits chimiques connus dans l'État de la Californie pour causer un cancer, des malformations congénitales ou d'autres troubles de la reproduction.
- ⚠ **PROPOSITION 65 AVERTISSEMENT** : la manipulation du laiton entrant dans la composition de ce produit vous expose au plomb, un produit chimique connu dans l'État de la Californie pour causer un cancer, des malformations congénitales ou d'autres troubles de la reproduction. *Se laver les mains après la manipulation de ce produit.*

# DIMENSIONS POUR LA DECOUPE D'ENCASTRAGE

## OPTIONS POUR LA CONFIGURATION DE LA STRUCTURE EN "ÎLOT"

Il existe de nombreuses options disponibles pour l'emplacement des différents composants de votre structure en "îlot." Les principaux composants sont :

- 1) Le Grill Intégré
- 2) Le placard de l'arrivée de gaz
- 3) Le brûleur latéral accessoire en option

Les trois options les plus fréquentes (A, B, C) sont illustrées dans le tableau "Options pour la Configuration de la Structure en 'îlot'".

### Remarque : Limitation concernant la conduite de gaz

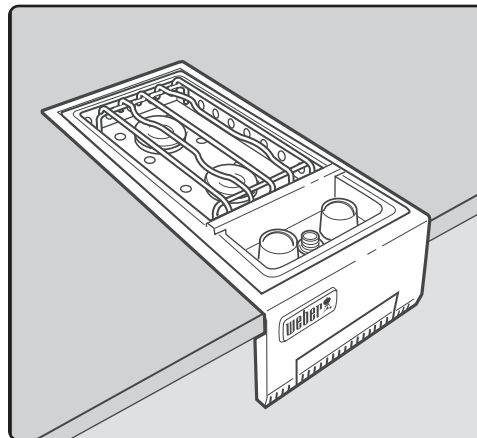
Le tuyau de l'arrivée de gaz depuis le collecteur du grill vers la cloison de l'arrivée de gaz ne doit pas dépasser 58" (147 cm). Le tuyau du brûleur latéral de 3/8" (9,52 mm) (non fourni) ne doit pas dépasser 58" (147 cm). ♦

## OPTIONS POUR LA CONFIGURATION DE LA STRUCTURE EN "ÎLOT"

1	Le Grill Intégré SUMMIT
2	Arrivée de gaz
3	Brûleur latéral accessoire en option

## REMARQUE : SI VOUS AVEZ ACHETE UN BRULEUR LATERAL

Si vous avez acheté l'accessoire brûleur latéral avec votre Grill à Gaz SUMMIT, WEBER vous recommande de lire le GUIDE D'INSTALLATION/MANUEL DE L'UTILISATEUR DU BRULEUR LATERAL SUMMIT INTEGRE avant de concevoir votre structure en "îlot." ♦



# DIMENSIONS POUR LA DECOUPE D'ENCASTRAGE

## GENERALITES SUR LA CONSTRUCTION

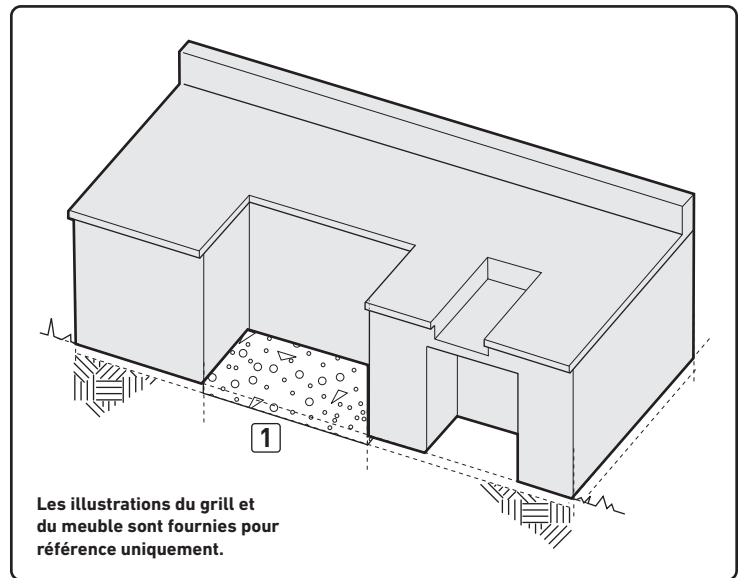
L'Unité Intégrée SUMMIT et toutes les autres unités accessoires devraient être sur site avant le début de la construction.

Pour simplifier l'installation, le grill sera poussé sur ses roulettes, jusque dans la structure encastrée.

L'installation de ce grill nécessite une surface supérieure du sol qui soit plane (1) et la même chose pour le plan de travail. La surface externe du sol doit être composée de matériaux solides et elle doit être plane et lisse. Des matériaux adaptés doivent être utilisés sous la surface externe du sol pour empêcher les matériaux de s'enfoncer ou de se boursoufler.

### Sortie Électrique de la Rôtissoire

Si la structure de support doit être pourvue d'une sortie électrique pour une rôtissoire, celle-ci devrait être située du côté gauche de la structure. ♦

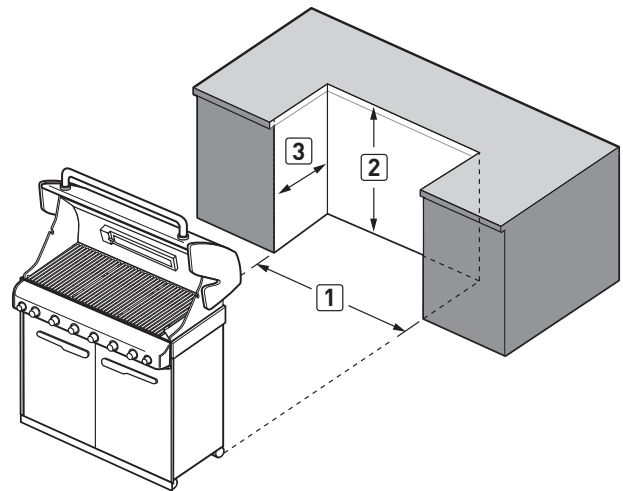


## DIMENSIONS DE DECOUPE POUR LA STRUCTURE ENCASTREE

Toutes les dimensions correspondent à des surfaces finies.

**⚠ MISE EN GARDE :** La totalité des surfaces finies du plan de travail doit être composée d'un matériau non inflammable. ♦

## DIMENSIONS GENERALES POUR LA DECOUPE D'ENCASTRAGE



	460	660	TOLERANCES
1	34" (864 mm)	42" (1067 mm)	±1/4" (6 mm)
2	36" (914 mm)	36" (914 mm)	max
3	24 5/16" (618 mm)	24 5/16" (618 mm)	±1/4" (6 mm)



# DIMENSIONS POUR LA DECOUPE D'ENCASTRAGE

## CHOISIR L'EMPLACEMENT DE VOTRE GRILL

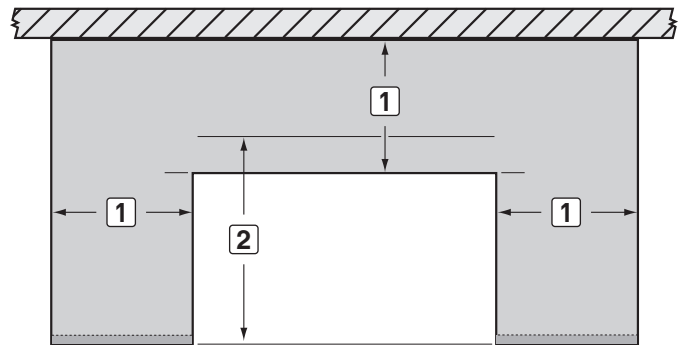
Lorsque vous choisissez un emplacement adapté pour l'installation de votre Grill à Gaz SUMMIT, faites attention à des questions comme l'exposition au vent, la proximité de trajets de circulation, et au besoin de maintenir les conduites d'arrivée de gaz aussi courtes que possible. Ne placez jamais le Grill à Gaz SUMMIT dans un garage, un passage couvert, une cabane, sous une structure suspendue non protégée, ou dans toute autre zone confinée. Localisez le grill et la structure de sorte qu'il y ait suffisamment de place pour évacuer sans danger la zone en cas d'incendie.

## ZONE DE DEGAGEMENT PAR RAPPORT AUX SURFACES OU STRUCTURES

**⚠ MISE EN GARDE : La structure, "l'îlot," les plans de travail, et les surfaces de travail adjacentes pour l'installation du Grill à Gaz Intégré doivent être construits à partir de matériaux non inflammables uniquement.**

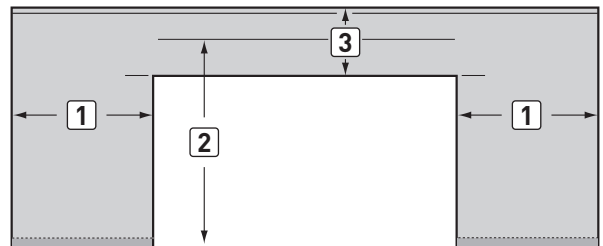
*REMARQUE : Si vous avez des questions sur les matériaux qui sont considérés comme non inflammables, veuillez contacter le fournisseur de matériaux de construction le plus proche ou les pompiers. ♦*

### ESPACES DÉGAGÉS - INSTALLATION ADJACENTE À UNE STRUCTURE



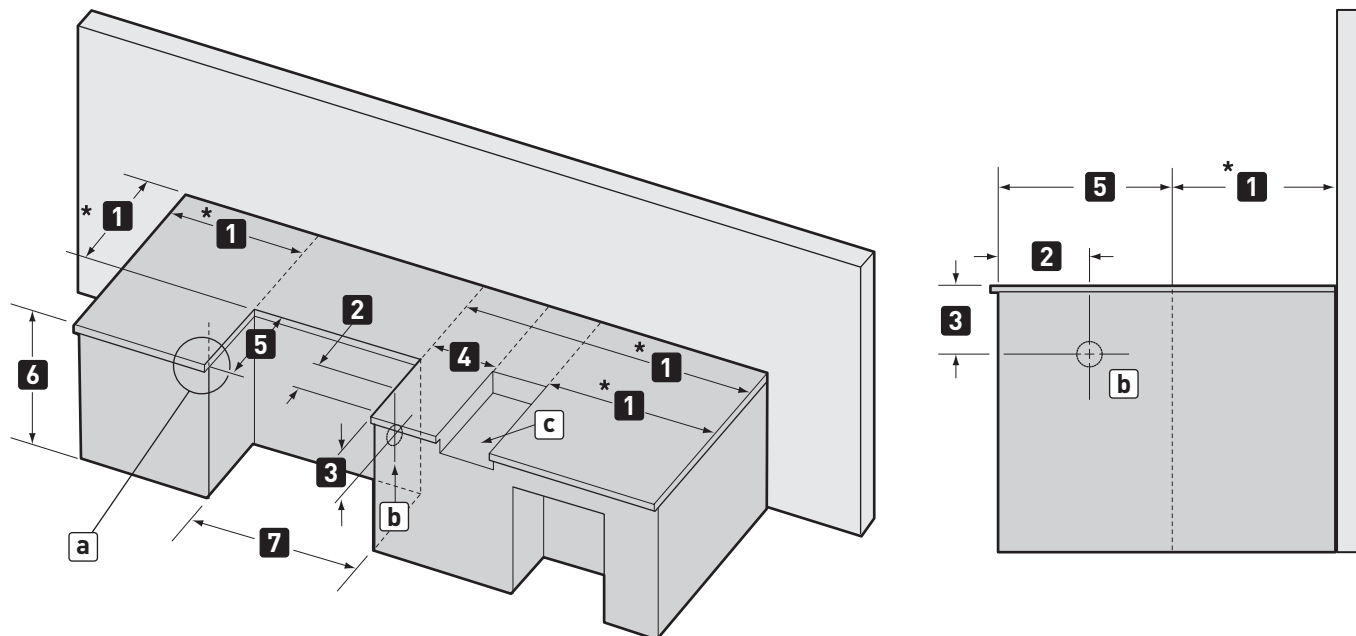
1	24" (610 mm) par rapport à n'importe quelle surface
2	27" (686 mm) minimum d'espace dégagé pour le couvercle

### ESPACES DÉGAGÉS - INSTALLATION EN "ÎLOT"



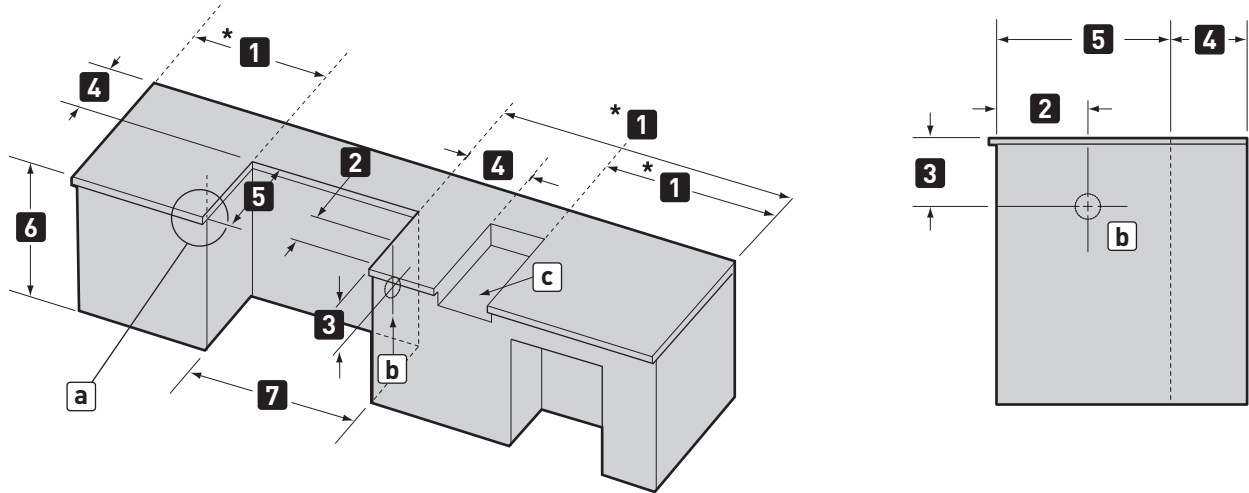
1	24" (610 mm) par rapport à n'importe quelle surface
2	27" (686 mm) minimum d'espace dégagé pour le couvercle
3	10 1/2" (267 mm) minimum

## DIMENSIONS DÉTAILLÉES POUR DÉCOUPE ENCASTRÉE - INSTALLATION ADJACENTE À UNE STRUCTURE



		460	660
<b>DIMENSIONS</b>	<b>*1</b>	24" minimum* (610 mm)	24" minimum* (610 mm)
	<b>2</b>	16 ½" (419 mm)	16 ½" (419 mm)
	<b>3</b>	11 ⅞" (283 mm)	11 ⅞" (283 mm)
	<b>4</b>	10 ½" (267 mm) minimum	10 ½" (267 mm) minimum
	<b>5</b>	24 ⅜" (618 mm)	24 ⅜" (618 mm)
	<b>6</b>	36" (914 mm) maximum	36" (914 mm) maximum
	<b>7</b>	Cadre encastré de 34" (864 mm)	Cadre encastré de 42" (1067 mm)
<b>a</b>	Pour un traitement du plan de travail : suspension recommandée de ⅜" (19 mm)		
<b>b</b>	Arrivée de gaz		
<b>c</b>	Ouverture pour le brûleur latéral		
*L'espace dégagé par rapport à toute surface ou structure est d'au moins 24" (610 mm) par rapport à l'arrière et aux côtés du grill ou du brûleur latéral.			

## DIMENSIONS DÉTAILLÉES POUR DÉCOUPE ENCASTRÉE - INSTALLATION EN "ÎLOT"



		460	660
<b>DIMENSIONS</b>	<b>*1</b>	24" minimum* (610 mm)	24" minimum* (610 mm)
	<b>2</b>	16 1/2" (419 mm)	16 1/2" (419 mm)
	<b>3</b>	11 1/8" (283 mm)	11 1/8" (283 mm)
	<b>4</b>	10 1/2" (267 mm) minimum	10 1/2" (267 mm) minimum
	<b>5</b>	24 3/8" (618 mm)	24 3/8" (618 mm)
	<b>6</b>	36" (914 mm) maximum	36" (914 mm) maximum
	<b>7</b>	Cadre encastré de 34" (864 mm)	Cadre encastré de 42" (1067 mm)
	<b>a</b>	Pour un traitement du plan de travail : suspension recommandée de 3/4" (19 mm)	
	<b>b</b>	Arrivée de gaz	
	<b>c</b>	Ouverture pour le brûleur latéral	
*L'espace dégagé par rapport à toute surface ou structure est d'au moins 24" (610 mm) par rapport à l'arrière et aux côtés du grill ou du brûleur latéral.			

## VENTILATION

**⚠ AVERTISSEMENT: Des orifices d'aération doivent être prévus dans la structure au bas et en haut afin de permettre la ventilation du gaz en cas de fuite.**

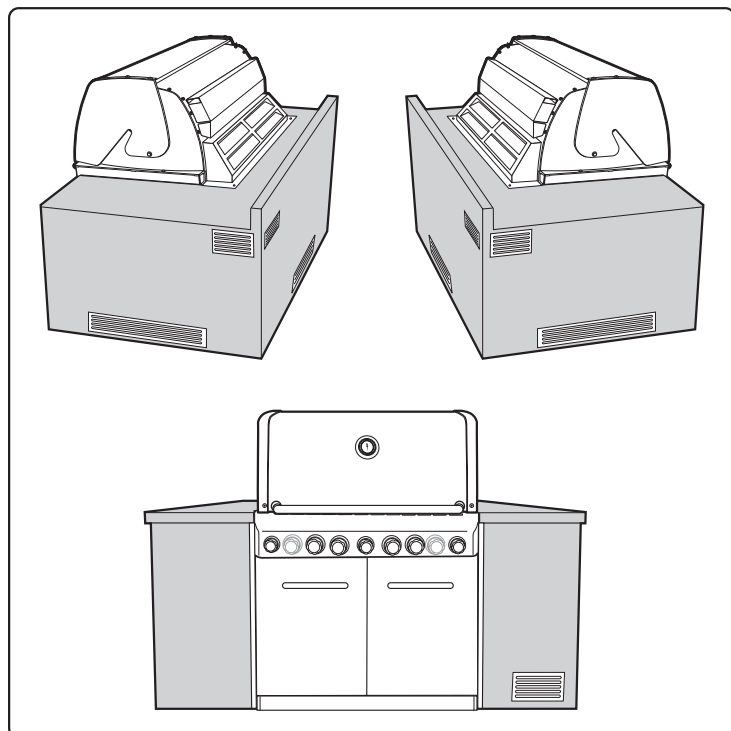
Les orifices d'aération peuvent être placés dans une zone à visibilité réduite et protégés par un matériau protecteur afin d'éviter que les rongeurs et les insectes ne pénètrent dans la structure. Ils permettront également de sécher l'humidité.

*Remarque : Ces schémas ne sont fournis qu'à titre de référence.*

- Une ventilation transverse doit être intégrée dans la structure porteuse. Nous recommandons un minimum de 100 pouces carrés (254 cm carrés) de ventilation par côté.
- Les aérations devraient être situées des deux côtés de la structure.
- Les schémas ci-dessus sont fournis à titre de référence uniquement.
- Les emplacements des aérations devraient être conçus à partir du centre, et s'éloigner vers l'extérieur.
- Positionnez les aérations en bas et en haut de la structure.
- Les aérations du bas devraient être aussi proches du niveau du sol que possible. Assurez-vous que la zone de ventilation n'est pas bloquée par les supports internes de la structure.
- Nous recommandons l'utilisation d'aérations pourvues de grilles.
- Les portes d'accès à la structure ne sont pas considérées comme des aérations.
- Nettoyez régulièrement les aérations.

**⚠ DANGER**

**Le non respect des instructions minimales de ventilation recommandée peut provoquer une accumulation de gaz à l'intérieur de la structure en cas de fuite. Ceci pourrait entraîner un incendie ou une explosion susceptible de provoquer une blessure grave ou un décès ainsi que des dégâts matériels. ♦**



## EMPLACEMENTS DES CONDUITES DE GAZ ENCASTREES

Remarque : Veuillez laisser un accès dans la structure en "ilôt" pour l'entretien de l'arrivée de gaz et du régulateur ne se situant pas à l'intérieur de la structure du grill.

Remarque : La zone ne devrait contenir aucune surface tranchante, irrégulière ou extrêmement abrasive afin d'éviter toute détérioration potentielle des conduites d'arrivée de gaz. Veuillez faire preuve de prudence lorsque vous tirez les conduites de gaz à travers la structure encastrée. ♦

## INSTALLATION D'ARRIVEE DE GAZ NATUREL TYPIQUE

Nous vous recommandons de confier cette installation à un professionnel QUALIFIE. ♦

### Generalites Concernant les Canalisations

Remarque : Veuillez contacter votre municipalité pour vous informer sur les codes de construction qui régissent les installations de grills à gaz d'extérieur. En l'absence de Codes régionaux, votre installation doit être conforme à la dernière édition du Code national du gaz combustible ANSI Z223.1/NFPA54.

- Ce grill est conçu pour fonctionner à une pression de colonne d'eau de 4,5 pouces.
- Une valve de fermeture manuelle doit être installée à l'extérieur, et elle doit être accessible, et ne pas se trouver dans la structure encastrée. Une valve de fermeture manuelle supplémentaire devrait être installée à l'intérieur sur la conduite d'arrivée de gaz secondaire à un emplacement accessible près de la conduite d'arrivée de gaz.

**⚠ ATTENTION : Si de jeunes enfants sont présents dans la zone, vous devriez réfléchir à l'installation d'une valve autobloquante.**

- Le composé de canalisation utilisé devrait résister à l'action du gaz propane liquide lorsque les raccordements sont effectués.
- Les raccords de gaz doivent être fermement fixés à une structure rigide permanente.

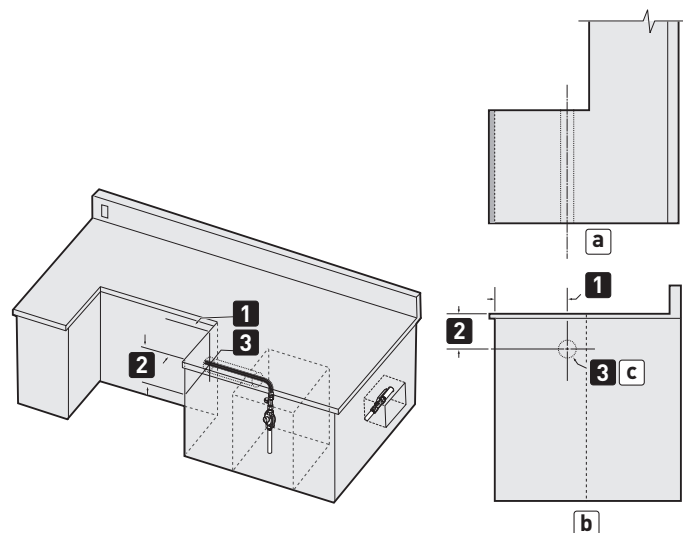
Remarque : Les informations fournies dans ce manuel sont des généralités adaptées aux installations typiques. Nous ne pouvons pas aborder la totalité des idées d'installation possibles. Avant l'installation, nous vous recommandons de contacter votre municipalité pour vous informer sur les codes de construction régionaux et votre service incendie pour faire vérifier votre installation.

Pour toute question, veuillez contacter le Service clientèle au 1-800-446-1071. ♦

### Canalisations de Gaz

- Voir le schéma des canalisations au bas de la page précédente.
- La conduite de gaz ondulée en provenance du collecteur mesure 58 pouces (1.473,2 mm). N'allongez pas la conduite de gaz.
- Nous vous avons donné les moyens de faire un raccord évasé SAE de 45°. N'utilisez pas de joint pour canalisation sur ce raccord.
- Si la longueur de conduite nécessaire ne dépasse pas 50 pieds, utilisez un tube dont le diamètre externe est de 3/4". Vous devriez utiliser une taille de plus pour les longueurs supérieures à 50 pieds. Voir le tableau des canalisations.
- Les conduites de gaz peuvent être composées de tuyaux de cuivre, de type K ou L ; des tuyaux de plastique en polyéthylène, d'une épaisseur de paroi minimale de 0,062 pouce (1,57 mm) ; ou en acier de poids standard (plan 40) ou en fer forgé.
- Les tuyaux de cuivre doivent être couverts d'étain si le gaz contient plus de 0,3 grammes de sulfure d'hydrogène pour 100 pieds cubes de gaz.
- Les tuyaux de plastique conviennent uniquement pour une utilisation souterraine en extérieur.
- Les conduites de gaz en contact avec la terre ou toute autre matière susceptible de les corroder doivent être protégées contre la corrosion selon une méthode homologuée.
- Les canalisations souterraines doivent se trouver à une profondeur minimale de 18". ♦

## EMPLACEMENTS POUR LA CONDUITE DE GAZ INTEGREE



	460	660	TOLERANCES
1	16 1/2" (419,1 mm)	16 1/2" (419,1 mm)	±1/8" (3,2 mm)
2	11 1/8" (282,6 mm)	11 1/8" (282,6 mm)	±1/8" (3,2 mm)
3	2 1/2" (63,5 mm)	2 1/2" (63,5 mm)	±1/8" (3,2 mm)
a	Vue plane de droite		
b	Vue de côté		
c	Arrivée de gaz		

## TEST DES RACCORDS

La totalité des raccords et des joints doit faire l'objet de tests méticuleux afin de détecter toute fuite éventuelle conformément aux codes régionaux et à la totalité des procédures figurant dans la dernière édition du Code national des gaz combustibles ANSI Z223.1/ NFPA 54, du Code des installations de gaz naturel et de propane liquide, CSA B149.1, ou du Code relatif au stockage et à la manipulation de propane, B149.2, ou à la Norme relative aux véhicules de loisir, ANSI A 119.2/NFPA 1192, et CSA Z240 Série RV, Code relatif aux véhicules de loisir, le cas échéant.

### **⚠ DANGER**

**N'utilisez pas de flamme nue pour détecter les fuites de gaz. Assurez-vous de l'absence de toute étincelle ou flamme nue dans la zone pendant que vous détectez les fuites de gaz. Ceci entraînerait un incendie ou une explosion susceptible de provoquer une blessure grave ou un décès ainsi que des dégâts matériels. ♦**

Taille Nominal de la Conduite en Fer (Pouces)	Diamètre Interne (Pouces)	Longueur de la conduite (Pieds)													
		10	20	30	40	50	60	70	80	90	100	125	150	175	200
1/2	.622	131	90	72	62	55	50	46	42	40	38	33	30	28	26
3/4	.824	273	188	151	129	114	104	95	89	83	79	70	63	58	54
1	1.049	514	353	284	243	215	195	179	167	157	148	131	119	109	102
1 ¼	1.380	1,060	726	583	499	442	400	368	343	322	304	269	244	224	209
1 ½	1.610	1,580	1,090	873	747	662	600	552	514	482	455	403	366	336	313
2	2.067	3,050	2,090	1,680	1,440	1,280	1,160	1,060	989	928	877	777	704	648	602
2 ½	2.469	4,860	3,340	2,680	2,290	2,030	1,840	1,690	1,580	1,480	1,400	1,240	1,120	1,030	960
3	3.068	8,580	5,900	4,740	4,050	3,590	3,260	3,000	2,790	2,610	2,470	2,190	1,980	1,820	1,700
4	4.026	17,500	12,000	9,660	8,270	7,330	6,640	6,110	5,680	5,330	5,040	4,460	4,050	3,720	3,460

© 2009 National Fire Protection Association, Inc. et International Approval Services - U.S., Inc. Tous droits réservés.

# CONNEXION A L'ARRIVEE DE GAZ

## CONNECTER L'ARRIVEE DE GAZ

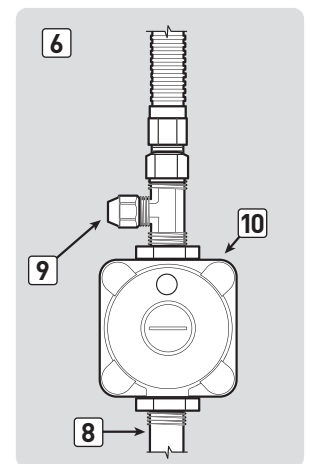
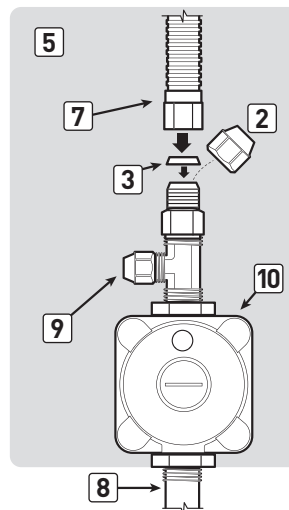
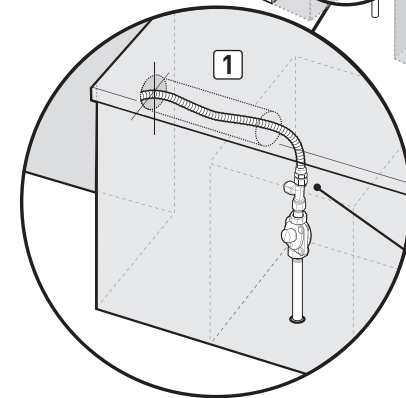
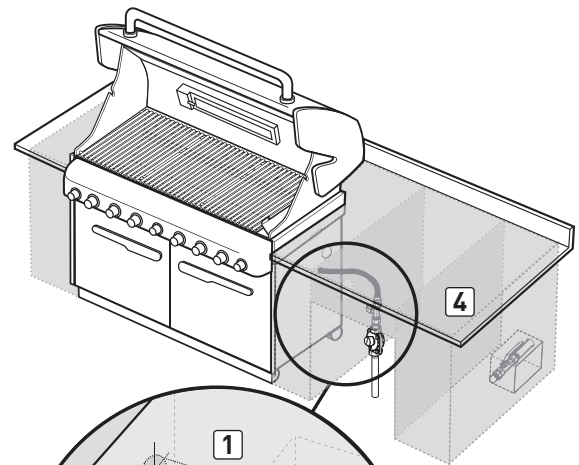
Une conduite de gaz ondulée de 58 pouces (147,32 cm) est connectée vers le collecteur du grill.

- A) La conduite de gaz ondulée principale traverse la cavité de la structure en "ilot" vers le raccord entre la tête du brûleur et le régulateur à l'intérieur du meuble de la bouteille de gaz (1).
- B) Retirez le cache du raccord évasé de la connexion en T sur le raccord entre la tête du brûleur et le régulateur (2).
- C) Connectez le tuyau ondulé principal à la connexion en T sur le raccord de la tête du brûleur. Utilisez le joint évasé de 1/2 pouce (12,7 mm) pour garantir une étanchéité correcte (3).

Si vous choisissez d'utiliser un tuyau rigide, semi-rigide, et/ou un connecteur autre que celui fourni, le connecteur doit être conforme à la norme pour les connecteurs pour appareils à gaz en plein air et les maisons préfabriquées, ANSI Z21.75\*CSA 6.27, et convenir pour une installation à l'extérieur.

La longueur de ce connecteur ne doit pas dépasser 147 cm (58 po) en raison d'une chute de pression qui se produirait, affectant les performances du barbecue. ♦

## TABLEAU DE CONNEXION



4	Trajet de conduite de gaz naturel typique
5	Vue de côté
6	Conduite de gaz et régulateur connectés
7	Connexion entre la conduite de gaz ondulée et le régulateur
8	Arrivée de gaz à canalisation rigide
9	Cache (brûleur latéral en option)
10	Régulateur

**⚠ ATTENTION: This product has been safety tested and is only certified for use in a specific country. Refer to country designation located on outer carton.**

These parts may be gas carrying or gas burning components. Please contact Weber-Stephen Products LLC, Customer Service Department for genuine Weber-Stephen Products LLC replacement part(s) information.

**⚠ WARNING: Do not attempt to make any repair to gas carrying, gas burning, igniter components or structural components without contacting Weber-Stephen Products LLC, Customer Service Department. Your actions, if you fail to follow this Product Warning, may cause a fire, an explosion, or structural failure resulting in serious personal injury or death as well as damage to property.**

**⚠ ATENCIÓN: A este producto se le han realizado pruebas de seguridad y ha sido certificado para usarse en un país específico. Refiérase al país indicado en la parte externa del cartón de empaque.**

Estas partes pueden ser componentes que transporten gas o lo quemem. Por favor póngase en contacto con el Departamento de Atención al Cliente de Weber-Stephen Products LLC para obtener información sobre las partes de repuesto Weber-Stephen Products LLC genuinas.

**⚠ ADVERTENCIA: No trate de realizar reparación alguna a los componentes que transporten o quemem gas sin antes ponerse en contacto con el Departamento de Atención al Cliente de Weber-Stephen Products LLC. Si no llegase a acatar esta advertencia, sus acciones podrían causar un fuego o una explosión que resulte en lesiones personales serias o la muerte o daños a la propiedad.**

**⚠ ATTENTION : Ce produit a fait l'objet de tests de sécurité et est certifié pour une utilisation dans un pays particulier uniquement. Vérifiez la désignation de pays située sur le carton d'emballage.**

Ces pièces peuvent contenir du gaz ou être des éléments dont la combustion produit du gaz. Veuillez consulter le Service clientèle de Weber-Stephen Products LLC pour des renseignements sur les pièces de rechange originales de Weber-Stephen Products LLC.

**⚠ MISE EN GARDE : Ne tentez pas d'effectuer des réparations sur des éléments contenant du gaz ou sur des éléments dont la combustion produit du gaz sans contacter le service clientèle de Weber-Stephen Products LLC. Si vous ne suivez pas la présente Mise en garde relative au produit, vos actions risquent de provoquer un incendie ou une explosion entraînant des blessures physiques graves voire un décès ainsi que des dégâts matériels.**



Weber-Stephen Products LLC  
[www.weber.com](http://www.weber.com)