



# GO-ANYWHERE

## LP GAS GRILL

### OWNER'S GUIDE

- ES** Guia Del Usuario Del Asador De Gas Lp - Pg. 17  
Montaje - Pg. 4
- FC** Guide D'utilisation Du Barbecue Au Gpl - Pg. 29  
Montage - Pg. 4



Thank you for purchasing a WEBER grill.  
Now take a few minutes and protect it by  
registering your product online at  
[www.weber.com](http://www.weber.com).

#### **⚠ DANGER**

If you smell gas:

- 1) Shut off gas to the appliance.
- 2) Extinguish any open flames.
- 3) Open lid.
- 4) If odor continues, keep away from the appliance and immediately call your gas supplier or your fire department.

Failure to follow these instructions could result in fire or explosion which could cause property damage, personal injury or death.

#### **⚠ DANGER**

- 1) Never operate this appliance unattended.
- 2) Never operate this appliance within 10 ft (3.0 m) of any structure, combustible material or other gas cylinder. Combustible materials include, but are not limited to wood or treated wood decks, patios or porches.
- 3) Never operate this appliance within 25 ft (7.5 m) of any flammable liquid.
- 4) If a fire should occur, keep away from the appliance and immediately call your fire department. Do not attempt to extinguish an oil or grease fire with water.

Failure to follow these instructions could result in fire, explosion or burn hazard, which could cause property damage, personal injury or death.

This instruction manual contains important information necessary for the proper assembly and safe use of the appliance.

Read and follow all warnings and instructions before assembling and using the appliance.

Follow all warnings and instructions when using the appliance.

Keep this manual for future reference.

Carefully follow all leak-check procedures in this Owner's Guide prior to grill operation. Do this even if the grill was dealer-assembled.

Do not ignite this appliance without first reading the burner ignition sections of this manual.

**THIS GAS APPLIANCE IS DESIGNED FOR OUTDOOR USE ONLY.**



SKU: 1141001  
BTU: 6500/hr

48988

US - ENGLISH  
01/16/19

# WARNINGS

## ⚠ DANGER

Failure to follow the DANGERS, WARNINGS, and CAUTIONS contained in this Owner's Guide may result in serious bodily injury or death, or may result in a fire or an explosion causing damage to property.

## WARNINGS:

- ⚠ Do not wear clothing with loose flowing sleeves while lighting or using the grill.
- ⚠ Discard used and empty fuel cylinders in a safe place.
- ⚠ Do not puncture or burn fuel cylinders.
- ⚠ Do not use this grill unless all parts are in place. The grill must be properly assembled according to the assembly instructions.
- ⚠ Your WEBER gas grill should never be used by children. Accessible parts of the grill may be very hot. Keep young children, elderly and pets away while grill is in use.
- ⚠ This WEBER gas grill is not intended for commercial use.
- ⚠ This WEBER gas grill is not intended for and should never be used as a heater.
- ⚠ Exercise caution when using your WEBER gas grill. It will be hot during cooking or cleaning, and should never be left unattended, or moved while in operation.
- ⚠ Do not use charcoal or lava rock in your WEBER gas grill.
- ⚠ While igniting the grill or cooking, never lean over open grill.
- ⚠ Never place hands or fingers on the front edge of the cookbox when the grill is hot or the lid is open.
- ⚠ Do not attempt to disconnect the gas regulator or any gas fitting while your grill is in operation.
- ⚠ Use heat-resistant barbecue mitts or gloves when operating grill.
- ⚠ Should the burner go out while grill is in operation, turn the gas valve off. Open the lid and wait five minutes before attempting to relight grill, using the igniting instructions.
- ⚠ Do not use in any vehicle or in any storage or cargo area of any vehicle, including cars, trucks, station wagons, mini-vans, sport utility vehicles (SUVs) or recreational vehicles (RVs).
- ⚠ Do not place barbecue grill on glass or a combustible surface.

- ⚠ Do not build this model of grill in any built-in or slide-in construction. Ignoring this WARNING could cause a fire or an explosion that can damage property and cause serious bodily injury or death.
- ⚠ Do not store an extra (spare) or disconnected liquid propane cylinder under or near this grill.
- ⚠ After a period of storage and/or non-use, the WEBER gas grill should be checked for gas leaks and burner obstructions before use. See instructions in this Owner's Guide for correct procedures.
- ⚠ Do not operate the WEBER gas grill if there is a gas leak present.
- ⚠ Do not use a flame to check for gas leaks.
- ⚠ Do not put a grill cover or anything flammable on the grill while grill is in operation or is hot.
- ⚠ Liquid propane gas is not natural gas. The conversion or attempted use of natural gas in a liquid propane gas unit or liquid propane gas in a natural gas unit is dangerous and will void your warranty.
- ⚠ Keep any electrical supply cord and the fuel supply hose away from any heated surfaces.
- ⚠ Do not enlarge valve orifice or burner ports when cleaning the valve or burner.
- ⚠ The WEBER gas grill should be thoroughly cleaned on a regular basis.
- ⚠ If you see, smell, or hear the hiss of gas escaping from the liquid propane cylinder:
  1. Move away from liquid propane cylinder.
  2. Do not attempt to correct the problem yourself.
  3. Call your fire department.
- ⚠ Should a grease fire occur, turn off the burner and leave lid closed until fire is out.
- ⚠ The use of alcohol, prescription drugs, non-prescription drugs, or illegal drugs may impair the consumer's ability to properly and safely assemble, move, store, or operate the appliance.
- ⚠ Keep the barbecue on a secure, level surface at all times.

## CALIFORNIA PROPOSITION 65:

- ⚠ **WARNING:** Combustion byproducts produced when using this product contain chemicals known to the state of California to cause cancer, birth defects, or other reproductive harm.
- ⚠ **PROPOSITION 65 WARNING:** Handling the brass material on this product exposes you to lead, a chemical known to the state of California to cause cancer, birth defects or other reproductive harm. *Wash hands after handling this product.*

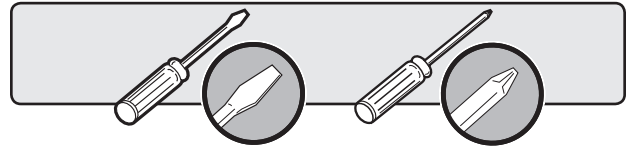
# ASSEMBLY



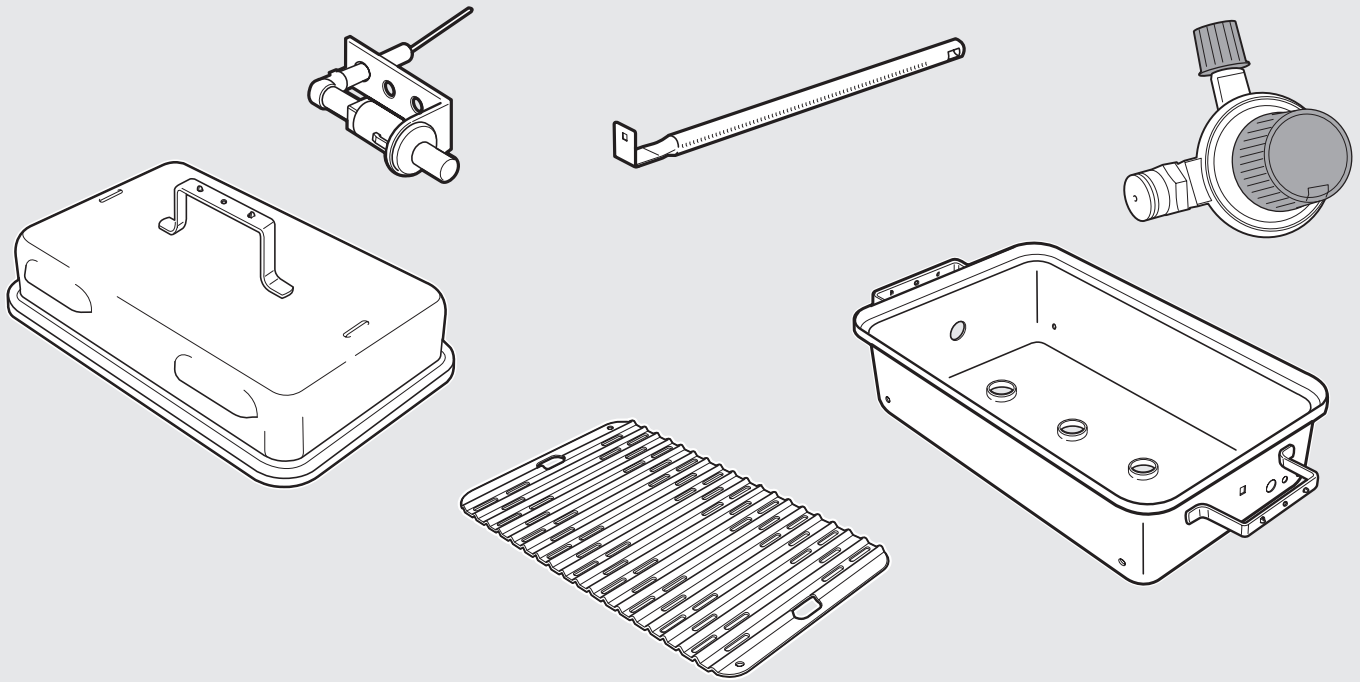
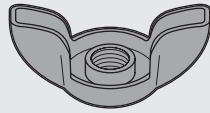
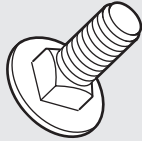
**US** Download the free BILT app for 3D step-by-step instructions.

**ES** Descargue gratis la app BILT para recibir instrucciones paso a paso en 3D.

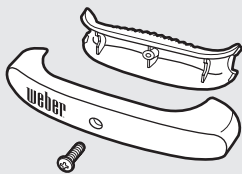
**fr-CA** Téléchargez l'appli gratuite BILT qui vous expliquera le montage étape par étape en 3D.



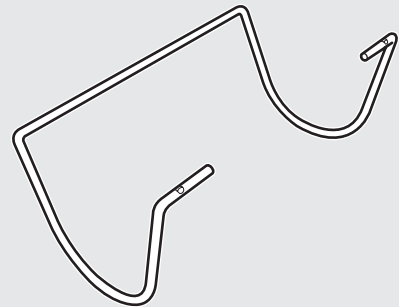
1-



3-



2-

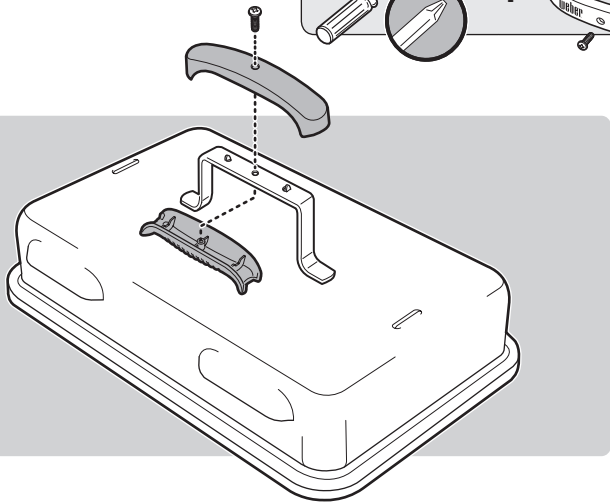


6-

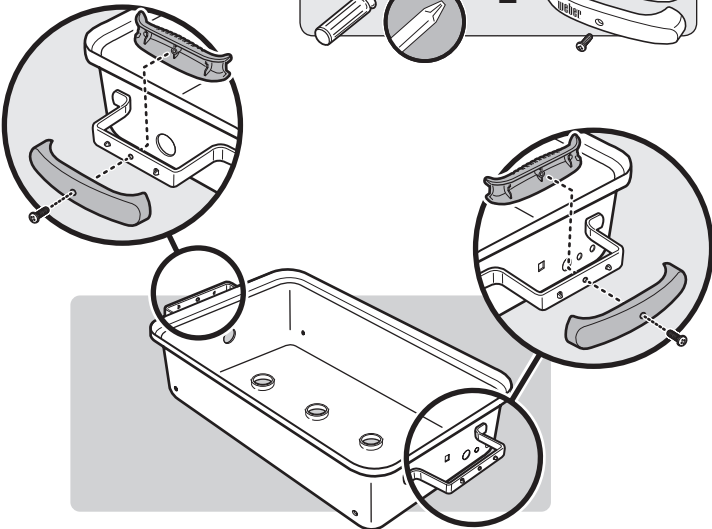
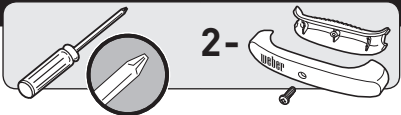


# ASSEMBLY

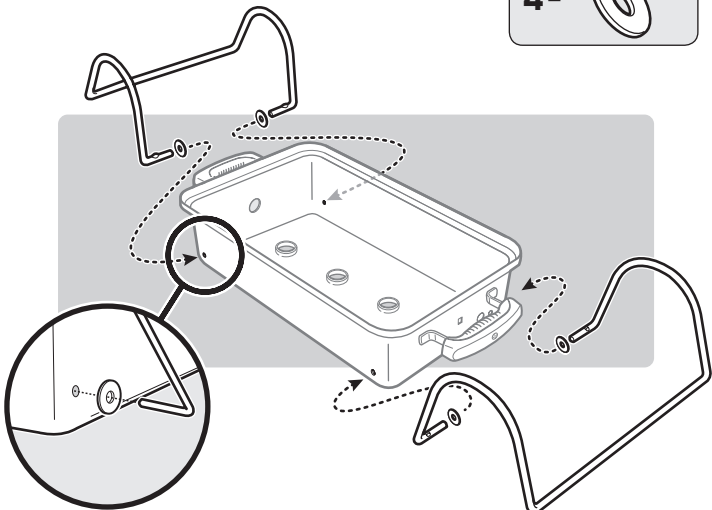
1



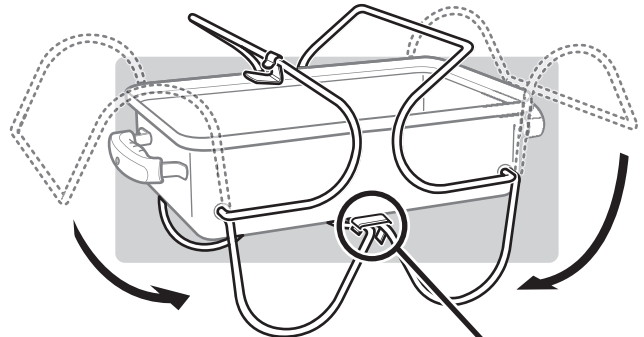
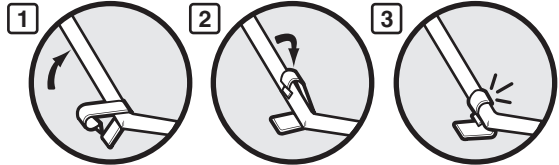
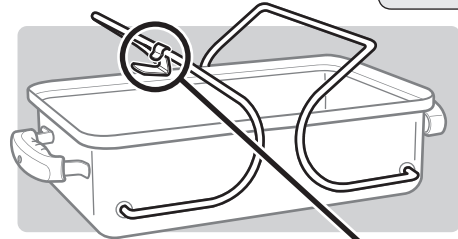
2



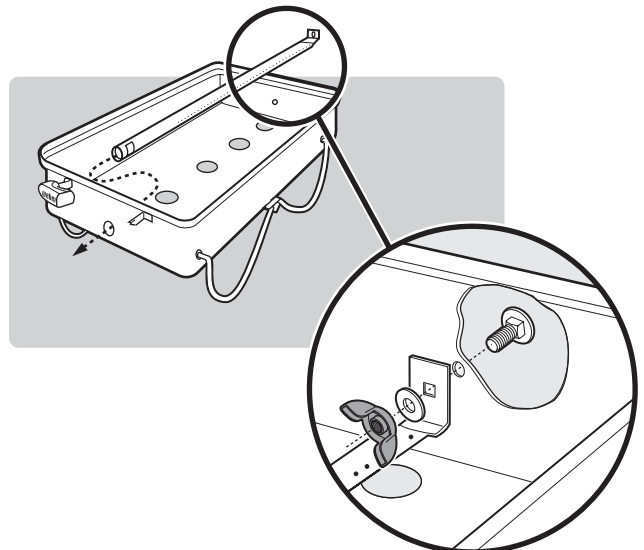
3



4



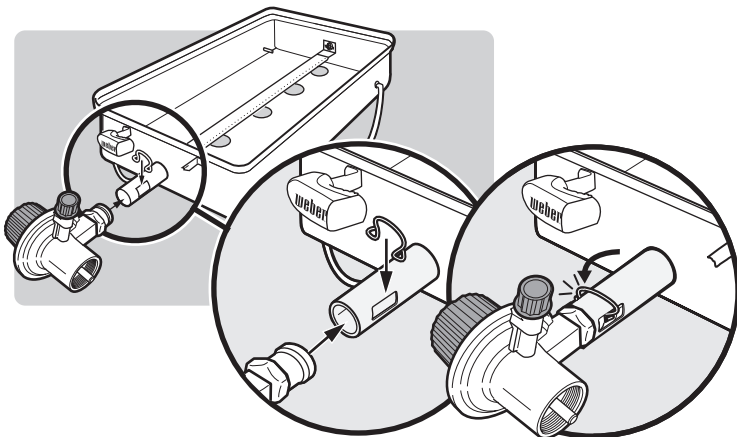
5



## ASSEMBLY

### 6

1- 



#### ⚠ WARNING

Prior to use, pull the regulator assembly and orifice to make sure that the retaining clip is in place and that the regulator and orifice is securely attached inside the burner tube.

A missing retaining clip can cause the regulator and orifice to move out of the burner tube. This can cause a fire resulting in serious bodily injury or death and damage to property.

*NOTE: The air shutter at the end of the burner tube should remain open. This is designed to produce the correct air and gas mixture. This opening is intentional and not a defect.*

#### ⚠ ADVERTENCIA

Antes de su uso, jale el conjunto del regulador y el orificio para asegurarse que el clip de retención está en su lugar y que el regulador y el orificio están asegurados de manera segura dentro del tubo del quemador.

Un clip de retención faltante puede ocasionar que el regulador y el orificio se salgan fuera del tubo del quemador. Esto puede ocasionar un incendio que puede resultar en graves lesiones corporales o la muerte y daños a la propiedad.

*NOTA: El obturador de aire en el extremo del tubo del quemador debe permanecer abierto. Esto está diseñado para producir la mezcla correcta de aire y gas. Esta abertura es intencional y no es un defecto.*

#### ⚠ AVERTISSEMENT

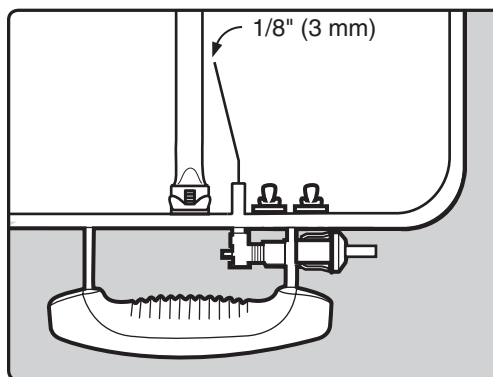
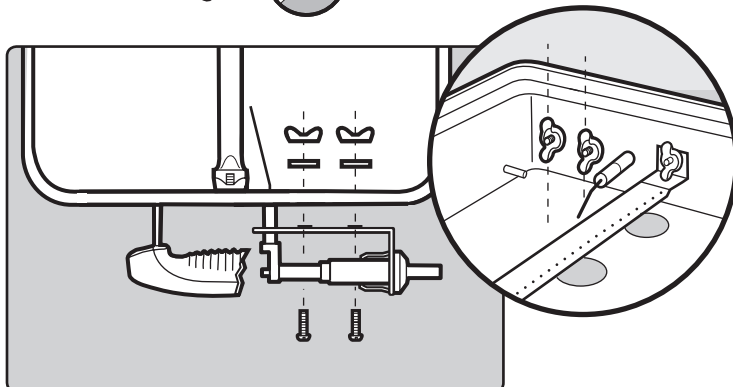
Avant utilisation, retirez l'ensemble du détendeur et de l'orifice pour vous assurer que le clip de retenue est en place et que le détendeur et l'orifice sont solidement fixés à l'intérieur du tube du brûleur.

Une agrafe de retenue manquante peut faire sortir le détendeur et l'orifice du tube de brûleur. Cela peut provoquer un incendie, causant des blessures corporelles graves ou la mort et des dommages matériels.

*REMARQUE : le volet d'air à l'extrémité du tube de brûleur doit rester ouvert. Ceci est conçu pour produire le bon mélange de gaz et d'air. Cette ouverture est intentionnelle et non un défaut.*

### 7

2- 



#### ⚠ DANGER

Make sure the tip of the igniter wire is adjusted to the holes in the burner tube. If it is not adjusted properly, gas can accumulate in the barbecue while igniting the barbecue. Delayed ignition of the accumulated gas may occur. This will result in a fire or explosion which can cause serious bodily injury or death, and damage to property.

#### ⚠ PELIGRO

Asegúrese que la punta del cable del encendedor esté ajustado a los orificios en el tubo del quemador. Si no está ajustado adecuadamente, se puede acumular gas en la parrilla mientras se enciende ésta. Puede ocurrir un encendido retrasado del gas acumulado. Esto provocará un incendio o explosión que puede ocasionarle serias lesiones en su cuerpo o la muerte y daños a la propiedad.

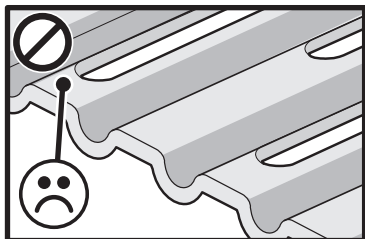
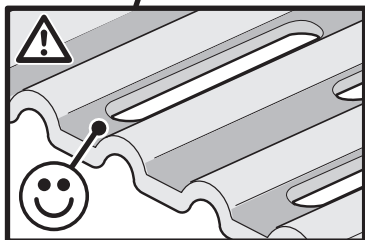
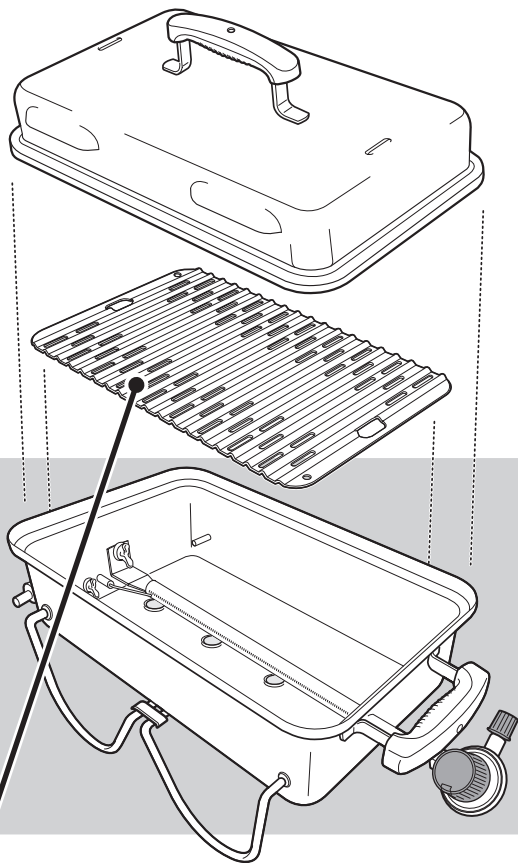
#### ⚠ DANGER

Assurez-vous que l'embout du fil de l'allumeur soit assorti aux trous du tube du brûleur, à défaut de quoi le gaz risque de s'accumuler dans le barbecue lors de son allumage. L'allumage en différé du gaz accumulé risque alors de survenir, ce qui peut entraîner un incendie ou une explosion susceptible de causer de graves blessures ou même la mort, sinon des dommages matériels.



# ASSEMBLY

8

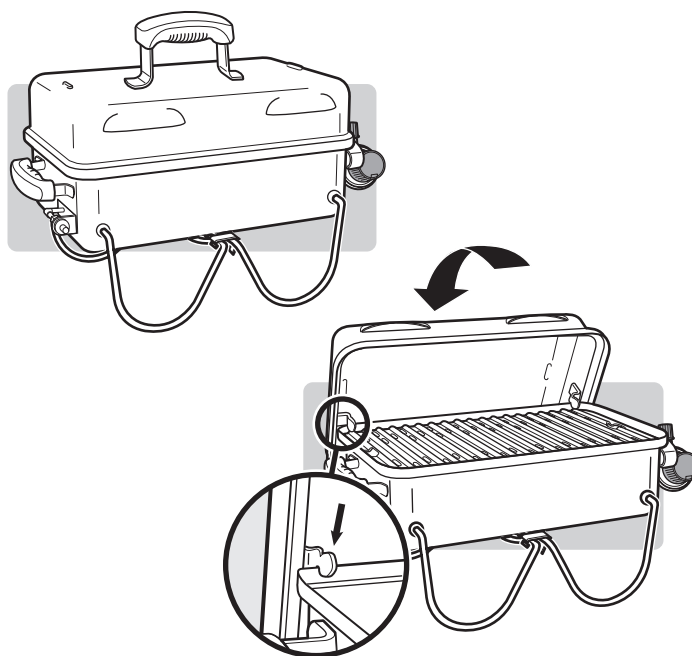


**Note:** Make sure cooking grate is installed grilling side up.

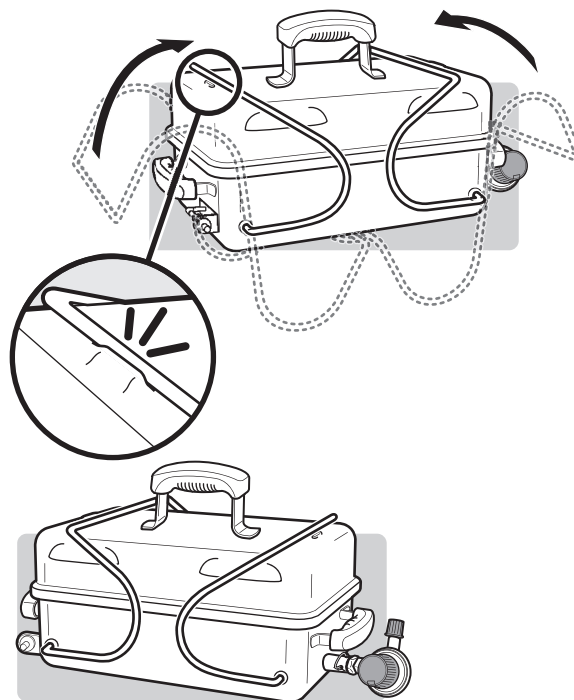
**Nota:** Asegúrese que la rejilla para cocinar se instale con el lado de asar hacia arriba.

**Remarque :** assurez-vous que la grille de cuisson est installée avec le côté de grillade vers le haut.

9



10



# WARRANTY

Thank you for purchasing a WEBER product. Weber-Stephen Products LLC, 1415 S. Roselle Road, Palatine, Illinois 60067 ("WEBER") prides itself on delivering a safe, durable, and reliable product.

This is WEBER's Voluntary Warranty provided to you at no extra charge. It contains the information you will need to have your WEBER product repaired in the unlikely event of a failure or defect.

**Pursuant to applicable laws, the customer has several rights in case the product is defective. Those rights include supplementary performance or replacement, abatement of the purchasing price, and compensation. In the European Union, for example, this would be a two-year statutory warranty starting on the date of the handover of the product. These and other statutory rights remain unaffected by this warranty provision. In fact, this warranty grants additional rights to the Owner that are independent from statutory warranty provisions.**

## WEBER'S VOLUNTARY WARRANTY

WEBER warrants, to the purchaser of the WEBER product (or in the case of a gift or promotional situation, the person for whom it was purchased as a gift or promotional item), that the WEBER product is free from defects in material and workmanship for the period(s) of time specified below when assembled and operated in accordance with the accompanying Owner's Manual. (Note: If you lose or misplace your WEBER Owner's Manual, a replacement is available online at [www.weber.com](http://www.weber.com), or such country-specific website to which Owner may be redirected.) Under normal, private single family home or apartment use and maintenance, WEBER agrees within the framework of this warranty to repair or replace defective parts within the applicable time periods, limitations, and exclusions listed below. TO THE EXTENT ALLOWABLE BY APPLICABLE LAW, THIS WARRANTY IS EXTENDED ONLY TO THE ORIGINAL PURCHASER AND IS NOT TRANSFERABLE TO SUBSEQUENT OWNERS, EXCEPT IN THE CASE OF GIFTS AND PROMOTIONAL ITEMS AS NOTED ABOVE.

## OWNER'S RESPONSIBILITIES UNDER THIS WARRANTY

To ensure trouble-free warranty coverage, it is important (but it is not required) that you register your WEBER product online at [www.weber.com](http://www.weber.com), or such country-specific website to which Owner may be redirected. Please also retain your original sales receipt and/or invoice. Registering your WEBER product confirms your warranty coverage and provides a direct link between you and WEBER in case we need to contact you.

The above warranty only applies if the Owner takes reasonable care of the WEBER product by following all assembly instructions, usage instructions, and preventative maintenance as outlined in the accompanying Owner's Manual, unless the Owner can prove that the defect or failure is independent of non-compliance with the above mentioned obligations. If you live in a coastal area, or have your product located near a pool, maintenance includes regular washing and rinsing of the exterior surfaces as outlined in the accompanying Owner's Manual.

## WARRANTY HANDLING / EXCLUSION OF WARRANTY

If you believe that you have a part which is covered by this Warranty, please contact WEBER Customer Service using the contact information on our website ([www.weber.com](http://www.weber.com)), or such country-specific website to which Owner may be redirected. WEBER will, upon investigation, repair or replace (at its option) a defective part that is covered by this Warranty. In the event that repair or replacement are not possible, WEBER may choose (at its option) to replace the grill in question with a new grill of equal or greater value. WEBER may ask you to return parts for inspection, shipping charges to be pre-paid.

This WARRANTY lapses if there are damages, deteriorations, discolorations, and/or rust for which WEBER is not responsible caused by:

- Abuse, misuse, alteration, modification, misapplication, vandalism, neglect, improper assembly or installation, and failure to properly perform normal and routine maintenance;
- Insects (such as spiders) and rodents (such as squirrels), including but not limited to damage to burner tubes and/or gas hoses;
- Exposure to salt air and/or chlorine sources such as swimming pools and hot tubs/spas;
- Severe weather conditions such as hail, hurricanes, earthquakes, tsunamis or surges, tornadoes or severe storms.

The use and/or installation of parts on your WEBER product that are not genuine WEBER parts will void this Warranty, and any damages that result hereby are not covered by this Warranty. Any conversion of a gas grill not authorized by WEBER and performed by a WEBER authorized service technician will void this Warranty.

## PRODUCT WARRANTY PERIODS

Cookbox:  
10 years, no rust through/burn through

Lid assembly:  
10 years, no rust through/burn through

Plastic components:  
5 years, excluding fading or discoloration

All remaining parts:  
2 years

## DISCLAIMERS

APART FROM THE WARRANTY AND DISCLAIMERS AS DESCRIBED IN THIS WARRANTY STATEMENT, THERE ARE EXPLICITLY NO FURTHER WARRANTY OR VOLUNTARY DECLARATIONS OF LIABILITY GIVEN HERE WHICH GO BEYOND THE STATUTORY LIABILITY APPLYING TO WEBER. THE PRESENT WARRANTY STATEMENT ALSO DOES NOT LIMIT OR EXCLUDE SITUATIONS OR CLAIMS WHERE WEBER HAS MANDATORY LIABILITY AS PRESCRIBED BY STATUTE.

NO WARRANTIES SHALL APPLY AFTER THE APPLICABLE PERIODS OF THIS WARRANTY. NO OTHER WARRANTIES GIVEN BY ANY PERSON, INCLUDING A DEALER OR RETAILER, WITH RESPECT TO ANY PRODUCT (SUCH AS ANY "EXTENDED WARRANTIES"), SHALL BIND WEBER. THE EXCLUSIVE REMEDY OF THIS WARRANTY IS REPAIR OR REPLACEMENT OF THE PART OR PRODUCT.

IN NO EVENT UNDER THIS VOLUNTARY WARRANTY SHALL RECOVERY OF ANY KIND BE GREATER THAN THE AMOUNT OF THE PURCHASE PRICE OF THE WEBER PRODUCT SOLD.

YOU ASSUME THE RISK AND LIABILITY FOR LOSS, DAMAGE, OR INJURY TO YOU AND YOUR PROPERTY AND/OR TO OTHERS AND THEIR PROPERTY ARISING OUT OF THE MISUSE OR ABUSE OF THE PRODUCT OR FAILURE TO FOLLOW INSTRUCTIONS PROVIDED BY WEBER IN THE ACCOMPANYING OWNER'S MANUAL.

PARTS AND ACCESSORIES REPLACED UNDER THIS WARRANTY ARE WARRANTED ONLY FOR THE BALANCE OF THE ABOVE MENTIONED ORIGINAL WARRANTY PERIOD(S).

THIS WARRANTY APPLIES TO PRIVATE SINGLE FAMILY HOME OR APARTMENT USE ONLY AND DOES NOT APPLY TO WEBER GRILLS USED IN COMMERCIAL, COMMUNAL OR MULTI-UNIT SETTINGS SUCH AS RESTAURANTS, HOTELS, RESORTS, OR RENTAL PROPERTIES.

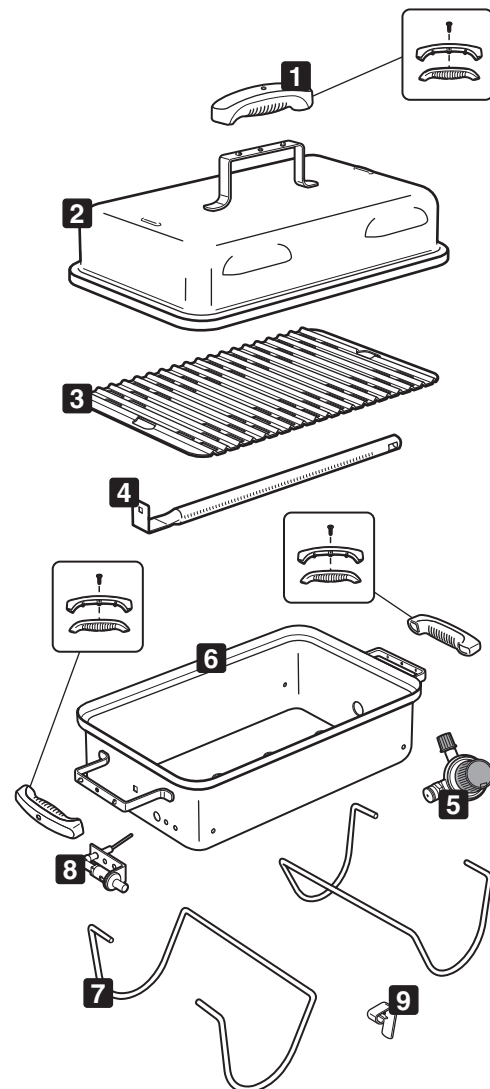
WEBER MAY FROM TIME TO TIME CHANGE THE DESIGN OF ITS PRODUCTS. NOTHING CONTAINED IN THIS WARRANTY SHALL BE CONSTRUED AS OBLIGATING WEBER TO INCORPORATE SUCH DESIGN CHANGES INTO PREVIOUSLY MANUFACTURED PRODUCTS, NOR SHALL SUCH CHANGES BE CONSTRUED AS AN ADMISSION THAT PREVIOUS DESIGNS WERE DEFECTIVE.

Webster-Stephen PRODUCTS LLC  
Customer Service Center  
1415 S. Roselle Road  
Palatine, IL 60067  
U.S.A.

For replacement parts, call:  
1-800-446-1071

# EXPLODED VIEW

Gas\_Go-Anywhere\_XV\_US\_041216



1. Handle Assembly
2. Lid
3. Cooking Grate
4. Burner Tube
5. Regulator Assembly
6. Cookbox
7. Leg
8. Igniter Electrode Assembly
9. Leg Clip

# IMPORTANT INFORMATION ABOUT LP GAS & GAS CONNECTIONS

## WHAT IS LP GAS?

Liquefied petroleum gas, also called LPG, LP gas, liquid propane, or simply propane, is the flammable, petroleum-based product used to fuel your grill. It is a gas at moderate temperatures and pressure when it is not contained. But at moderate pressure inside a container, such as a cylinder, LP is a liquid. As pressure is released from the cylinder, the liquid readily vaporizes and becomes LP gas.

- LP has an odor similar to natural gas. You should be aware of this odor.
- LP is heavier than air. Leaking LP gas may collect in low areas and resist dispersion.

### **⚠ DANGER**

**NEVER store a spare LP cylinder under or near WEBER gas appliances. Failure to follow this statement exactly may result in a fire causing death or serious injury.**

## SAFE HANDLING TIPS FOR LP GAS CYLINDERS

There are various guidelines and safety factors that you need to keep in mind when using LP gas. Carefully follow these instructions before using your WEBER gas grill.

- Do not use a damaged, dented or rusty LP cylinder.
- Handle "empty" LP cylinders with the same care as you handle full cylinders. Even when an LP cylinder is empty of liquid, there may still be gas pressure inside the cylinder.
- LP cylinders should not be dropped or handled roughly.
- Never store or transport the LP cylinder where temperatures can reach 125° F (51.7° C) (the cylinder will become too hot to hold by hand). For example: do not leave the LP cylinder in a car on a hot day.
- LP cylinders must be kept out of reach of children.
- Do not connect to natural gas supply (city gas). The valve and orifice are designed exclusively for liquefied petroleum gas.
- The LP-gas supply cylinder to be used must be constructed and marked in accordance with the specifications for LP-gas cylinders, U.S. Department of Transportation (DOT) or the Standard for Cylinders, Spheres and Tubes for the Transportation of Dangerous Goods, CAN/CSA-B339.
- The cylinder supply system used with this product must be arranged for vapor withdrawal.

## STORAGE AND/OR NONUSE

For grills that have been stored or left unused for a while, it is important to follow these guidelines:

- Disconnect the cylinder if: 1) it is empty; 2) the grill is being stored in a garage or other enclosed area; 3) the grill is being transported; 4) the grill is not in use.
- Place dust cap on cylinder valve outlet when cylinder is not in use.
- Do not store a disconnected LP cylinder in a building, garage, or any other enclosed area.
- The WEBER gas grill should be checked for gas leaks and any obstructions in the burner tube before it is used. (Refer to "PREPARING TO USE YOUR GRILL and ANNUAL MAINTENANCE.")
- Check that the areas under the cookbox are free from debris that might obstruct the flow of combustion or ventilation air.

## US INSTALLATION CODES

Installation must conform with local codes or, in the absence of local codes, with the latest edition of the National Fuel Gas Code, ANSI Z223.1/NFPA 54.

## CANADIAN INSTALLATION CODES

These instructions, while generally acceptable, do not necessarily comply with the Canadian installation codes, particularly with piping above and below ground. In Canada, the installation of this appliance must comply with local codes and/or the latest edition of Standard CAN/CSA-B149.2 (Propane Storage and Handling Code).

*NOTE: Your retailer can help you match a replacement cylinder to your grill.*

## REGULATOR CONNECTIONS

Your WEBER gas grill is equipped with a pressure regulator, which is a device to control and maintain uniform gas pressure as gas is released from the LP cylinder. Each WEBER pressure regulator is designed for vapor withdrawal.

- The regulator supplied with the WEBER gas grill must be used. This regulator is set for 11 inches of water column pressure.
- LP gas is controlled with two knobs. The small knob turns the gas supply on and off. The large control knob regulates the gas flow from low to high.

## FUELING YOUR GRILL

Before using your grill for the first time, you need to purchase an LP cylinder. You may choose to purchase a spare LP cylinder so that you don't run out of fuel in the middle of cooking a meal.

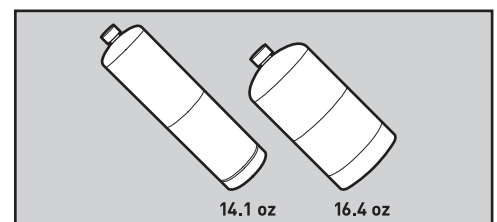
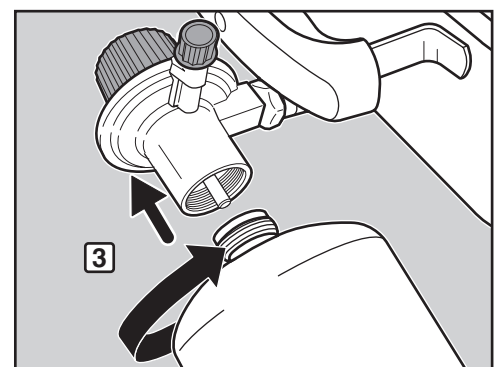
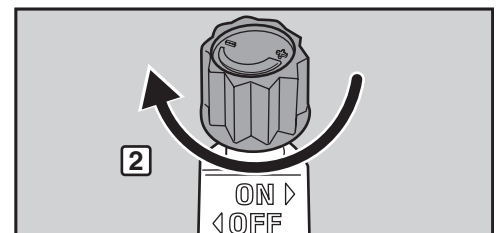
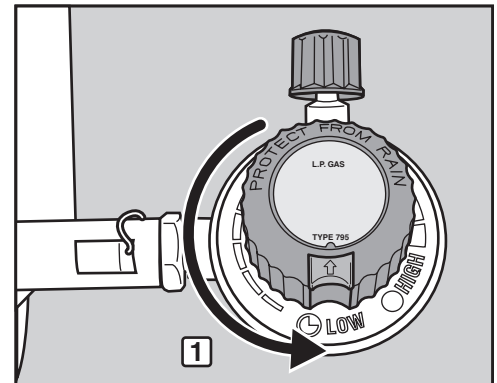
## INSTALLING THE LP CYLINDER

Use disposable LP cylinders with a capacity of either 14.1 oz. or 16.4 oz. equipped with a CGA #600 connection.

**⚠ CAUTION: Use cylinders that are marked "Propane Fuel" only.**

- A) Make sure to turn the large control knob counterclockwise until the red tab locks in the LOW position (1).
- B) Make sure the gas supply is turned OFF by turning the small knob clockwise until it has fully closed (2).
- C) Push the disposable cylinder into regulator and turn clockwise until tight (3).

**⚠ WARNING: Do not use a wrench to tighten the connection. Using a wrench could damage the regulator coupling and could cause a leak.**





# PREPARING TO USE YOUR GRILL

## WHAT IS A LEAK CHECK?

The fuel system in your grill features connections and fittings. A leak check is a reliable way to make sure that no gas is escaping from any of the connections or fittings.

Although all factory-made connections have been thoroughly checked for gas leaks, it's important to perform a leak check before using your grill for the first time, as well as anytime you disconnect and reconnect a fitting and each time you perform routine maintenance.

### **⚠ DANGER**

**Do not use an open flame to check for gas leaks. Be sure there are no sparks or open flames in the area while you check for leaks. Sparks or open flames will result in a fire or explosion, which can cause serious bodily injury or death and damage to property.**

**⚠ WARNING: The gas connections of your gas grill have been factory tested. We do, however, recommend that you leak check all gas connections before operating your gas grill.**

**⚠ WARNING: Perform these leak checks even if your grill was dealer or store assembled.**

**⚠ WARNING: You should check for gas leaks every time you disconnect and reconnect a gas fitting.**

*NOTE: All factory-made connections have been thoroughly checked for gas leaks and the burner has been flame-tested. As a safety precaution, however, you should check all fittings for leaks before using your WEBER gas grill. Shipping and handling may loosen or damage a gas fitting.*

## CHECKING FOR GAS LEAKS

### Confirm that Grill Is Off

A) Confirm that the cylinder is properly installed. Refer to "INSTALLING THE LP CYLINDER."

You will need: A spray bottle or brush or rag and a soap-and-water solution. (You can make your own soap-and-water solution by mixing 20% liquid soap with 80% water; or, you can purchase solution in the plumbing section of any hardware store.)

B) Make sure to turn the large control knob counterclockwise until the red tab locks in the LOW position.

C) Make sure the gas supply is turned OFF by turning the small knob clockwise until it has fully closed.

**⚠ WARNING: Do not ignite burner when leak checking.**

D) To check for leaks, wet fittings with the soap-and-water solution, using a spray bottle, brush or rag. If bubbles form, or if a bubble grows, there is a leak. Apply the soap-and-water solution to the following connections:  
a) Regulator-to-cylinder connection (1).

**⚠ WARNING: If there is a leak at connection (1), remove the cylinder. DO NOT OPERATE THE GRILL. Install a different cylinder and recheck for leaks with soap-and-water solution. If a leak persists after installing a different cylinder, turn off the gas. DO NOT OPERATE THE GRILL. Contact the Customer Service Representative in your area using the contact information on our web site. Log onto [www.weber.com](http://www.weber.com).**

E) When leak checking is complete, rinse connections with water.

*NOTE: Since some leak test solutions, including soap and water, may be slightly corrosive, all connections should be rinsed with water after checking for leaks.*

**⚠ WARNING: Make sure that all parts are assembled and hardware is fully tightened before operating the grill. Your actions, if you fail to follow this product warning, may cause a fire, an explosion, or structural failure resulting in serious personal injury or death as well as damage to property.**

Now you are ready to use your grill.

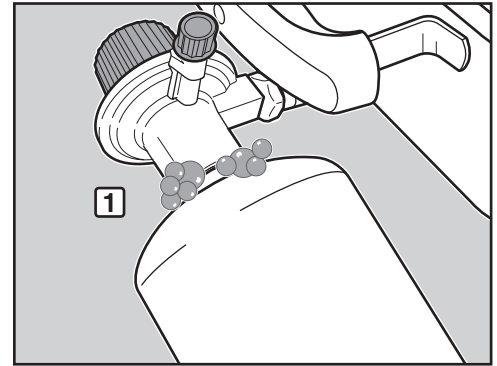
## REMOVING THE LP CYLINDER

When your LP cylinder needs to be replaced, follow these instructions to remove it.

A) Make sure to turn the large control knob counterclockwise until the red tab locks in the LOW position.

B) Make sure the gas supply is turned OFF by turning the small knob clockwise until it has fully closed.

C) Unscrew disposable cylinder from regulator by turning cylinder counterclockwise.



# SAFETY CHECKS BEFORE USING YOUR GRILL

## SAFETY FIRST

It's a good idea to get in the habit of performing a few safety checks before grilling.

**Safety must be considered when you are deciding where to place and operate your grill. Be sure to read the following warnings before installing or using your grill.**

### WARNINGS:

- ⚠ Only use this grill outdoors in a well-ventilated area. Do not use in a garage, building, breezeway or any other enclosed area.
- ⚠ Your WEBER gas grill shall not be used beneath overhead combustible construction.
- ⚠ Your WEBER gas grill is not intended to be installed in or on recreational vehicles and/or boats.
- ⚠ Keep the cooking area clear of flammable vapors and liquids such as gasoline, alcohol, etc., and combustible materials.
- ⚠ The entire cookbox gets hot when in use. Do not touch.
- ⚠ Do not move the WEBER gas grill when operating or while grill is hot.
- ⚠ When cooking, the appliance must be on a level, stable surface in an area clear of combustible material. An asphalt surface (blacktop) may not be acceptable for this purpose.
- ⚠ Do not place barbecue grill on glass or a combustible surface; heat can be conducted through the legs of portable grills.

### KEEP COOKBOX CLEAN

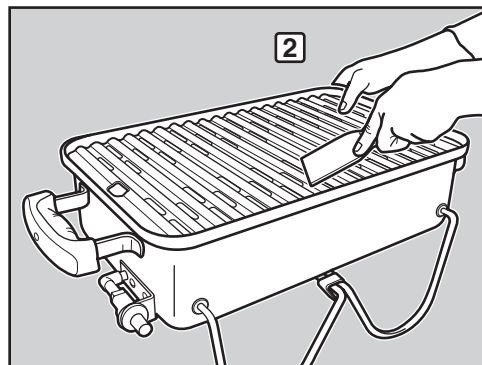
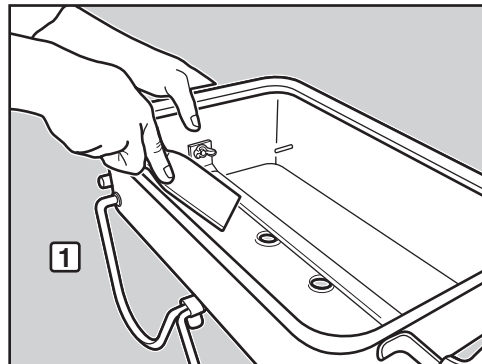
It is important to clean the bottom of the cookbox before lighting your grill. Remove excess grease with a plastic scraper (1). Wipe up the remaining grease with paper towels. You can also clean the cookbox by using a cloth with warm, soapy water and rinsing with water.

### KEEP COOKING GRATE CLEAN

It is important to clean the cooking grate before lighting your grill. Remove excess grease with a plastic scraper (2). Wipe up the remaining grease with paper towels. You can also clean the cooking grate by using a cloth with warm, soapy water and rinsing with water.

**Note:** Make sure cooking grate is installed grilling side up. Refer to "ASSEMBLY".

- ⚠ **WARNING:** Check the bottom of the cookbox for grease build-up before each use. Remove excess grease to avoid a grease fire. A grease fire can cause serious bodily injury or damage to property.
- ⚠ **CAUTION:** Do not line the cookbox with aluminum foil.



⚠ **ATTENTION:** This product has been safety tested and is only certified for use in a specific country. Refer to country designation located on outer carton.

These parts may be gas carrying or gas burning components. Please contact Weber-Stephen Products LLC, Customer Service Department for genuine Weber-Stephen Products LLC replacement part(s) information.

⚠ **WARNING:** Do not attempt to make any repair to gas carrying, gas burning, igniter components or structural components without contacting Weber-Stephen Products LLC, Customer Service Department. Your actions, if you fail to follow this Product Warning, may cause a fire, an explosion, or structural failure resulting in serious personal injury or death as well as damage to property.

# BURNER IGNITION & USAGE

## METHODS OF BURNER IGNITION

There are two ways to ignite the burner. The first is by using the ignition system built into your grill. The second is with a match.

Next are the steps for igniting your grill using the ignition system. On the following page are steps for igniting your grill with a match.

## BURNER IGNITION

A) Remove the lid (1).

### ⚠ DANGER

**Failure to remove the lid before igniting the grill's burner, or not waiting five minutes to allow the gas to clear if the grill does not light, may result in an explosive flare-up which can cause serious bodily injury or death.**

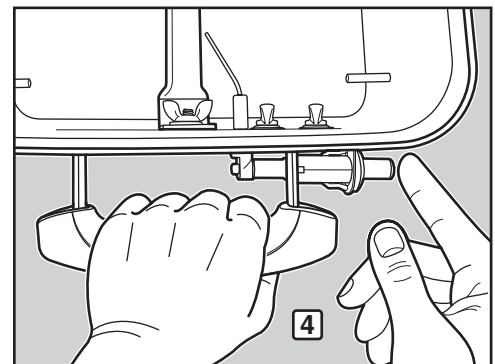
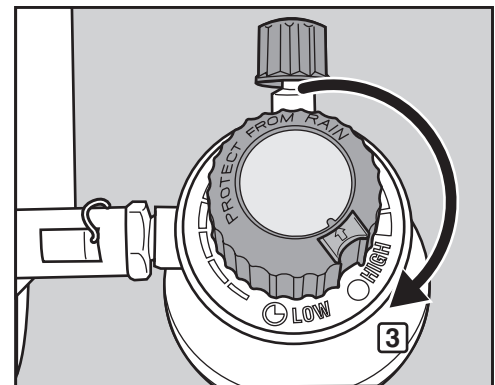
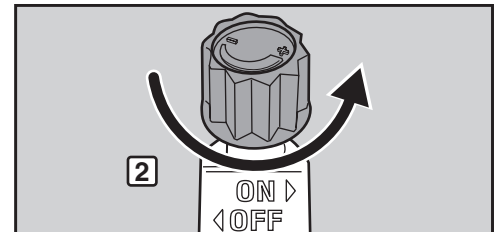
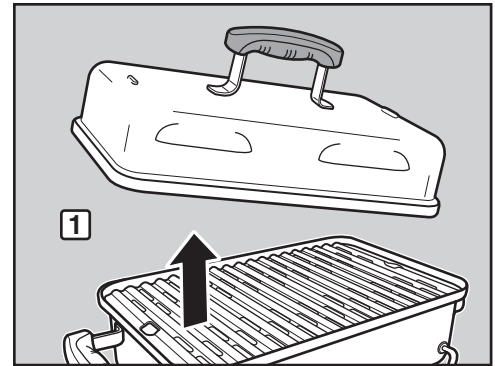
- B) Make sure to turn the large control knob counterclockwise until the red tab locks in the LOW position.
- C) Make sure the gas supply is turned OFF by turning the small knob clockwise until it has fully closed.
- D) Confirm that the LP cylinder is properly installed.
- E) Turn ON the gas supply by turning small knob counterclockwise until fully open (2).
- F) Press red tab on large control knob and turn clockwise to HIGH (3).
- G) Hold the handle on the cookbox. Press the igniter button several times, so it clicks each time (4).
- H) Check that the burner is lit by looking through the cooking grate. You should see a flame.

**⚠ WARNING: Do not lean over the open grill while igniting.**

**⚠ WARNING: If burner fails to ignite within five seconds, stop, turn OFF gas supply by turning small knob clockwise until fully closed, then turn large control knob counterclockwise until red tab locks in LOW position. Wait five minutes to allow the gas to clear before you try again or light with a match.**

## TO EXTINGUISH BURNER

Turn OFF gas supply by turning small knob clockwise until fully closed, then turn large control knob counterclockwise until red tab locks in the LOW position.



# BURNER IGNITION & USAGE

## BURNER IGNITION

### Lighting with a Match

A) Remove the lid (1).

#### **⚠ DANGER**

**Failure to remove the lid before igniting the grill's burner, or not waiting five minutes to allow the gas to clear if the grill does not light, may result in an explosive flare-up which can cause serious bodily injury or death.**

*NOTE: While facing grill, valve/regulator assembly should be on the right-hand side.*

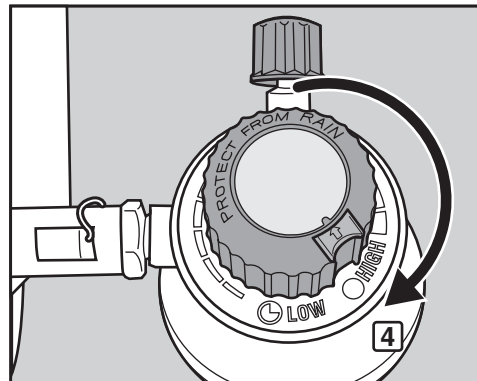
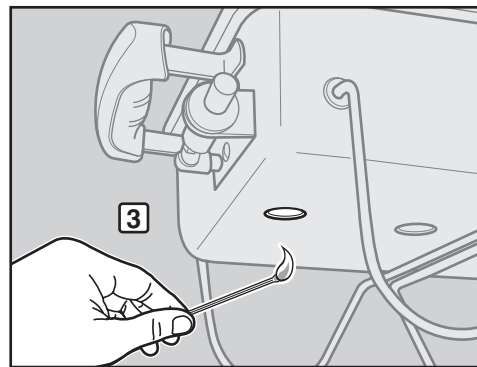
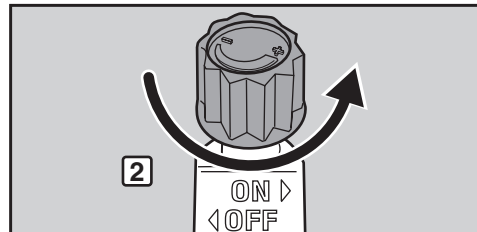
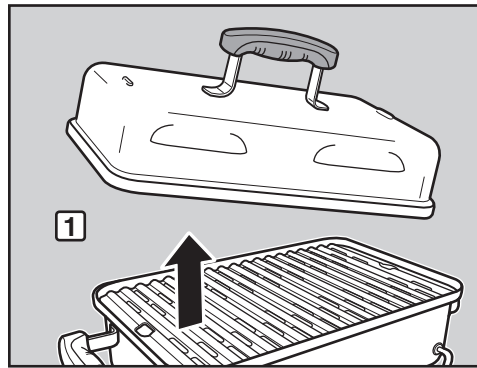
- B) Make sure to turn the large control knob counterclockwise until the red tab locks in the LOW position.
- C) Make sure the gas supply is turned OFF by turning the small knob clockwise until it has fully closed.
- D) Confirm that the LP cylinder is properly installed.
- E) Turn ON the gas supply by turning small knob counterclockwise until fully open (2).
- F) Strike a long match and insert the flame into the vent hole at the bottom left of the grill (3). While holding lit match, press red tab on large control knob and turn clockwise to HIGH (4).
- G) Check that the burner is lit by looking through the cooking grate. You should see a flame.

**⚠ WARNING: Do not lean over the open grill while igniting. Keep your face and body at least 30 cm (12 in) away from the bottom left vent hole when lighting the grill.**

**⚠ WARNING: If the burner fails to ignite within five seconds, stop, turn OFF gas supply by turning small knob clockwise until fully closed, then turn large control knob counterclockwise until red tab locks in LOW position. Wait five minutes to allow the gas to clear before you try again.**

### TO EXTINGUISH BURNER

Turn OFF gas supply by turning small knob clockwise until fully closed, then turn large control knob counterclockwise until red tab locks in the LOW position.



## GRILLING TIPS & HELPFUL HINTS

### TIPS & HINTS

- Always preheat the grill before cooking. Set burner on high heat and close lid; preheat for 5 to 10 minutes.
- The temperature of your gas grill may run hotter than normal for the first few uses.
- Recipe grilling times are based on outside temperatures of 70°F (21°C) and little or no wind. Allow for more cooking time on cold or windy days, or at higher altitudes. Allow for less cooking time in extremely hot weather.
- Grilling conditions may require adjustment of the regulator control knob to attain the correct cooking temperatures.
- In general, large pieces of meat will require more cooking time per pound (kilo) than small pieces of meat.
- Always be sure the cookbox is clean

and free from debris.

- If an unwanted flare-up should occur, turn burner off and move food to another area of the cooking grate. Any flames will quickly subside. After flames subside, relight the grill. **NEVER USE WATER TO EXTINGUISH FLAMES ON A GAS GRILL.**
- Using a timer will help to alert you when “well done” is about to become “overdone.”
- A light coating of oil will help brown your food evenly and keep it from sticking to the cooking grate. Always brush or spray oil onto your food, not directly onto the cooking grate.

### PREHEATING

Preheating the grill before grilling is important. To preheat: Light your grill according to the instructions in this Owner's Guide; then turn regulator control knob to start/high position, close the lid, and preheat grill. This will take 5 to 10 minutes depending on conditions such as air temperature and wind. After preheating, you can adjust the burner as desired.

**⚠ WARNING: Should the burner go out while grill is in operation, turn the gas valve off. Open the lid and wait five minutes before attempting to relight grill, using the igniting instructions.**

### COVERED COOKING

All grilling is done with the lid down to provide uniform, evenly circulated heat. With the lid closed, the gas grill cooks much like a convection oven. All preheating and grilling is done with the lid down. No peeking — heat is lost every time you lift the lid.

For more grilling tips and recipes, visit [www.weber.com](http://www.weber.com).

## TROUBLESHOOTING

PROBLEMS	SOLUTIONS
<b>Burner does not ignite when you push the igniter button.</b>	<p>Be sure that there is gas flow to the burner by attempting to match light your burner. Refer to “BURNER IGNITION—Lighting with a Match.” If match lighting is successful, the problem lies in the ignition system. Refer to “MAINTAINING THE PUSH BUTTON IGNITION SYSTEM.”</p> <p>Be sure the tip of the igniter electrode is adjusted to the proper distance from the holes in the burner tube. Refer to “MAINTAINING THE PUSH BUTTON IGNITION SYSTEM.”</p>
<b>Burner does not ignite, or flame is low when regulator control knob is on high position.</b>	<p>Gas supply valve may not be turned on completely. Refer to “BURNER IGNITION.”</p> <p>Fuel could be low or empty. Replace LP cylinder. Refer to “REMOVING THE LP CYLINDER.”</p>
<b>Burner flame pattern is erratic.</b> <b>Flame is low when regulator control knob is on high position.</b> <b>Flames do not run the whole length of the burner tube.</b>	Clean burner ports that run down the entire length of burner tube. Refer to “ANNUAL MAINTENANCE.”
<b>Burner tube has a large opening by the regulator.</b>	The burner tube is designed with a hole for air and gas mixture. This hole is called an air shutter opening. <b>THIS IS NOT A DEFECT.</b> Keep this area clean of any debris. Refer to “ANNUAL MAINTENANCE.”
<b>Experiencing flare-ups.</b>	Grill must be preheated with burner on high for 5 to 10 minutes.
<b>⚠ CAUTION: Do not line the cookbox with aluminum foil.</b>	<p>Clean the cooking grate thoroughly to remove grease. Refer to “SAFETY CHECKS BEFORE USING YOUR GRILL.”</p> <p>The cookbox may be dirty. Clean cookbox. Refer to “SAFETY CHECKS BEFORE USING YOUR GRILL.”</p>
<b>Inside of lid appears to be “peeling.” (Resembles paint peeling.)</b>	The inside of the lid is porcelain enamel. It is not painted. It cannot “peel.” What you are seeing is baked-on grease that has turned to carbon and is flaking off. <b>THIS IS NOT A DEFECT.</b> Clean thoroughly. Refer to “CLEANING THE INSIDE OF THE GRILL.”

If problems cannot be corrected by using these methods, please contact the Customer Service Representative in your area using the contact information on our web site. Log onto [www.weber.com](http://www.weber.com).



## KEEPING YOUR WEBER GAS GRILL IN TIP-TOP SHAPE

### **⚠ DANGER**

Failure to correct any problems described on this page may result in a fire, which can cause serious bodily injury or death, and cause damage to property.

To keep your WEBER gas grill performing as safely and efficiently as on day one, we strongly recommend that you inspect and clean the burner tube at least once a year. Below is important information about this area of the grill that should undergo annual maintenance.

If you observe an incorrect flame pattern or blocked burner port, proceed to the "BURNER TUBE CLEANING OR REPLACEMENT" instructions on the following pages.

### BURNER FLAME PATTERN

The burner tube in your WEBER gas grill was factory set for the correct air and gas mixture. The correct flame pattern is shown in illustration and described below:

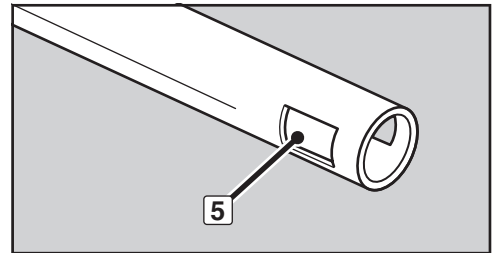
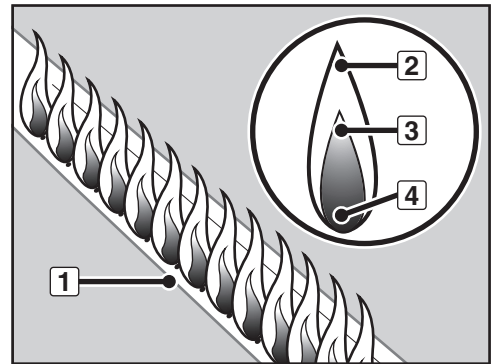
- Burner tube (1)
- Tips occasionally flicker yellow (2)
- Light blue (3)
- Dark blue (4)

Check burner flame pattern. If the flames do not match the above description, it could be an indication that the air shutter opening has become blocked with debris (5). (Refer to "BURNER TUBE CLEANING OR REPLACEMENT".)

### BURNER TUBE PORTS

Over time, from repeated use of the grill, the burner tube ports will become dirty. Blocked and dirty ports can restrict full gas flow. Following are ways to determine whether burner tube ports are dirty or blocked.

- Grill does not reach desired temperature
- Grill heats unevenly
- Burner does not ignite



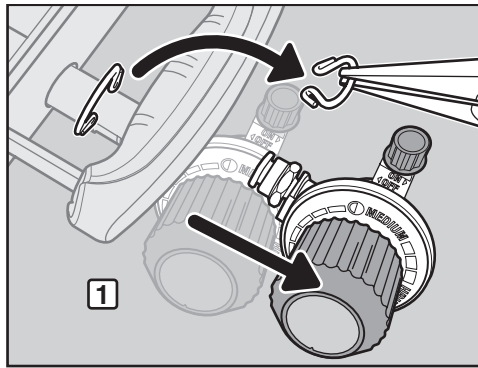
## BURNER TUBE CLEANING OR REPLACEMENT

### Confirm that Grill Is Off and Cool

- A) Make sure to turn the large control knob counterclockwise until the red tab locks in the LOW position.
- B) Make sure the gas supply is turned OFF by turning the small knob clockwise until it has fully closed.
- C) Disconnect the LP cylinder.
- D) Remove the lid.
- E) Remove cooking grate.

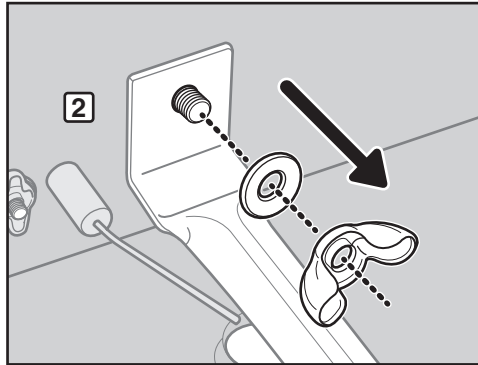
### Remove Regulator Assembly

- A) Remove retaining clip and remove regulator assembly (1).



### Remove Burner Tube

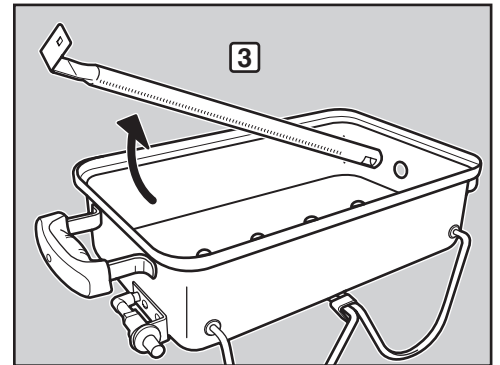
- A) Remove wing nut, washer and screw (2).
- B) Carefully pull burner tube out and away from cookbox (3).



### Clean Burner Tube

You will need: A flashlight, a wire (a straightened-out coat hanger) and a suitable stainless steel bristle brush.

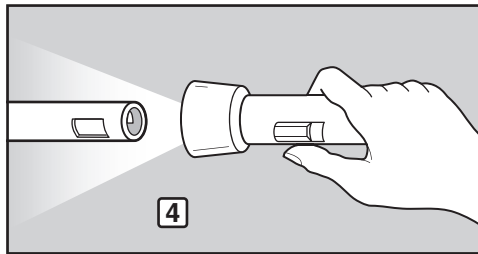
- A) Look inside the burner tube with a flashlight (4).
- B) Clean any debris or blockage from the inside of the burner tube with the wire (5).
- C) Use the stainless steel bristle brush to clean the outside of the burner tube. This is done to make sure all burner ports (openings) running along the length of the tube are fully open (6).



**⚠ CAUTION: Do not enlarge the burner ports when cleaning.**

### Reinstall Burner Tube

- A) Carefully slide the burner tube through the hole in the right side of cookbox.
- B) Reinstall wing nut, washer and screw that secure the burner tube to the cookbox (hand tighten only).



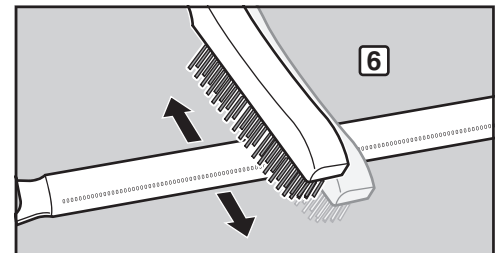
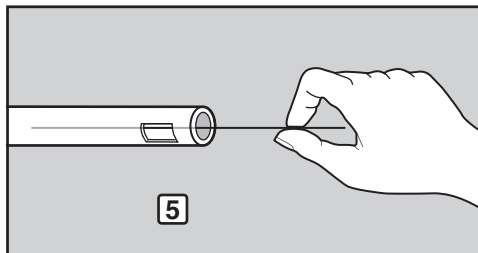
### Reinstall Regulator Assembly

- A) Reinstall regulator assembly and secure with retaining clip.

**⚠ DANGER: Do not use the grill if the retaining clip securing the regulator and orifice into the burner tube is missing.**

**⚠ WARNING: You should check for gas leaks every time you disconnect and reconnect a gas fitting.**

- B) Verify that the tip of the igniter electrode is adjusted to the proper distance from the holes in the burner tube. Refer to "MAINTAINING THE PUSH BUTTON IGNITION SYSTEM" for proper positioning.
- C) Reinstall cooking grate.
- D) Reinstall the lid.
- E) Reinstall the LP cylinder.



# ROUTINE MAINTENANCE

## BEAUTIFUL— INSIDE AND OUT

WEBER grill owners take a lot of pride in their grills. Flaunt your pride and joy. Keep your grill clean and beautiful—inside and out—by following these routine maintenance steps.

### CLEANING THE OUTSIDE OF THE GRILL

To keep the outside of your grill looking its best, use the following guidelines for safe cleaning.

**⚠ WARNING: Turn your WEBER gas grill off and wait for it to cool before cleaning it.**

#### Painted, Enameled and Plastic Surfaces

Use a warm, soapy water solution to clean outside surfaces; then rinse with water.

**IMPORTANT: Do not use cleaners that contain acid, mineral spirits, or xylene. Do not use oven cleaner, abrasive cleansers (kitchen cleansers), cleaners that contain citrus products, or abrasive cleaning pads on grill.**

### CLEANING THE INSIDE OF THE GRILL

To keep your grill performing safely and efficiently, it is important to remove any debris and excess grease that may have accumulated on the inside of the grill. Use the following guidelines for safe cleaning.

#### Inside Lid

Flaking, built-up grease resembles paint flakes. Wipe inside of lid with paper towel to prevent grease build-up. Wash inside lid with warm, soapy water; then rinse with water.

#### Cookbox Components & Burner Tube

You will need: A stainless steel bristle brush, and a stiff plastic scraper.

A) Scrape and brush the cooking grate with the scraper and brush. Remove the cooking grate and set aside.

**⚠ CAUTION: Grill brushes should be checked for loose bristles and excessive wear on a regular basis. Replace brush if any loose bristles are found on cooking grate or brush. WEBER recommends purchasing a new stainless steel grill brush at the beginning of every spring.**

**⚠ CAUTION: Do not clean cooking grate in a self-cleaning oven.**

B) Brush any debris off the burner tube. Do not enlarge burner ports (openings) running along length of burner tube (1).

C) When cleaning is complete, replace the cooking grate.

#### Cookbox

Wash inside of cookbox with warm, soapy water; then rinse with water.

### IGNITION SYSTEM OPERATIONS

The igniter supplies a spark to the igniter electrode assembly. Whether you are performing routine maintenance or a troubleshooting check on the ignition system, read the following to keep your ignition system working properly.

**⚠ WARNING: The regulator control knob should be in the OFF position.**

If the igniter fails to ignite your WEBER gas grill, you will need to pinpoint where the problem is occurring: with the gas flow or with the ignition system. Begin by attempting to match light your burner. Refer to "BURNER IGNITION—Lighting with a Match." If match lighting is successful, the problem lies in the ignition system.

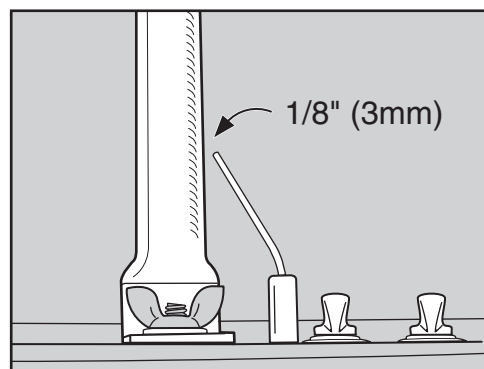
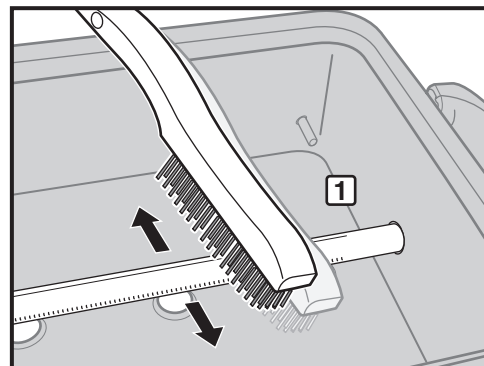
### MAINTAINING THE PUSH BUTTON IGNITION SYSTEM

- Verify that the igniter button pushes in, clicks and returns to the out position.
- Verify that the tip of the igniter electrode is adjusted to the proper distance from the holes in the burner tube.

### DANGER

**Make sure the tip of the igniter electrode is adjusted to the proper distance from the holes in the burner tube. If it is not adjusted properly, gas can accumulate in the grill is being igniting. Delayed ignition of the accumulated gas may occur. This will result in a fire or explosion which can cause serious bodily injury or death, and damage to property.**

**If the push button ignition system still fails to ignite, contact the Customer Service Representative in your area using the contact information on our web site. Log onto [www.weber.com](http://www.weber.com).**



Weber-Stephen Products LLC  
[www.weber.com](http://www.weber.com)



# GO-ANYWHERE

## GUIA DEL USUARIO DEL ASADOR DE GAS LP

Montaje - Pg. 4



Gracias por su compra del asador WEBER.  
Ahora tome unos momentos para registrar  
y proteger su producto registrándolo en línea en  
[www.weber.com](http://www.weber.com).

### ⚠ PELIGRO

Si huele a gas:

- 1) Cierre el suministro de gas al artefacto.
- 2) Apague todas las flamas cerrando la valvula general de paso.
- 3) Abra la tapa.
- 4) Si el olor continuase, alejese del artefacto e inmediatamente llame a su proveedor de gas o al cuerpo de bomberos.

El no acatar estas instrucciones pudiera resultar en un fuego o explosión, que pudieran causar daños materiales, lesiones personales o la muerte.

### ⚠ PELIGRO

- 1) Nunca permita que este artefacto funcione desatendido.
- 2) Nunca ponga a funcionar este artefacto a menos de 10 pies (3 m) de cualquier estructura, material combustible u otro cilindro de gas. Los materiales combustibles incluyen, más no se limitan a, patios de madera o madera tratada, patios o porches.
- 3) Nunca ponga a funcionar este artefacto a menos de 25 pies (7.5 m) de cualquier líquido inflamable.
- 4) Si llegase a presentarse un incendio, aléjese del artefacto e inmediatamente llame al cuerpo de bomberos. No intente de extinguir un fuego de aceite o grasa con agua.

El no acatar estas instrucciones podría resultar en un fuego, explosión o peligro de quemadura, que podrían causar daños materiales, lesiones personales o la muerte.

Este manual de instrucciones contiene información importante necesaria para el ensamble correcto y seguro de este artefacto.

Lea y acate todas las advertencias e instrucciones antes de ensamblar y utilizar el artefacto.

Al utilizar este artefacto, acate todos las advertencias y siga las instrucciones.

Guarde este manual para futuras consultas.

Antes de poner a funcionar la asador, siga cuidadosamente todos los procedimientos en este manual para verificar que no existan fugas. Haga esto aun y cuando la asador haya sido ensamblada por el distribuidor.

No encienda este artefacto sin primero leer las secciones de encendido del quemador de este manual.

**ESTE ARTEFACTO A GAS ESTÁ DISEÑADO PARA USARSE SOLAMENTE AL AIRE LIBRE.**



SKU: 1141001  
BTU: 6500/hr

48988

ESNA - SPANISH

## ⚠ PELIGRO

De no seguir las señales de PELIGRO, ADVERTENCIAS y PRECAUCIONES que se incluyen en la Guía del Usuario, esto puede resultare en lesiones corporales graves o la muerte, o bien puede resultar en un incendio o una explosión que ocasione daños a la propiedad.

### ADVERTENCIAS:

- ⚠ No use vestimenta con mangas holgadas al encender o usar el asador.
- ⚠ Deshágase de cualquier cilindro de combustible usado o vacío en un lugar seguro.
- ⚠ No perfore o incinere los cilindros de combustible.
- ⚠ No use el asador hasta que todas las partes estén en su lugar. El asador debe armarse adecuadamente de acuerdo a las instrucciones de montaje.
- ⚠ Su asador de gas WEBER nunca debe ser usado por niños. Las partes accesibles del asador pueden estar muy calientes. Mantenga a los niños, personas mayores y mascotas alejadas del asador cuando esté en uso.
- ⚠ Este asador de gas WEBER no está diseñado para uso comercial.
- ⚠ Este asador de gas WEBER no está diseñado y nunca se debe usar como un calentador.
- ⚠ Tenga precaución al usar su asador de gas WEBER. Estará caliente al cocinar o limpiar, y nunca debe dejarse sin supervisión o transportarse al estar en operación.
- ⚠ No use carbón o piedra lava en su asador de gas WEBER.
- ⚠ Nunca se incline sobre el asador abierto al encender el asador o al cocinar.
- ⚠ Nunca coloque las manos o dedos en la orilla delantera de la caja para cocinar cuando el asador esté caliente o cuando la tapa esté abierta.
- ⚠ No intente desconectar el regulador de gas o cualquier accesorio de gas mientras el asador está en operación.
- ⚠ Mientras opere la barbacoa, utilice guantes resistentes al calor.
- ⚠ Si el quemador se apaga mientras la parrilla está funcionando, cierre la válvula de gas. Abra la tapa y espere cinco minutos antes de tratar de volver a encenderla, usando las instrucciones de encendido.

- ⚠ No lo use en cualquier vehículo o en cualquier área de almacenaje o carga de cualquier vehículo, incluyendo carros, camionetas, vagonetas, minivans, vehículos utilitarios (SUVs) o vehículos para fines recreativos (RVs).
- ⚠ No coloque el asador sobre vidrio o una superficie inflamable.
- ⚠ No empotre este modelo de asador en cualquier tipo de construcción. Ignorar esta ADVERTENCIA puede ocasionar un incendio o explosión que puede dañar la propiedad y ocasionar lesiones corporales graves o la muerte.
- ⚠ No almacene o guarde un cilindro de propano líquido extra debajo o cerca del asador.
- ⚠ Después de un periodo de tiempo de almacenaje o sin uso del asador de gas WEBER debe revisar si existen fugas y obstrucciones del quemador antes de su uso. Ver las instrucciones de la Guía del Usuario para ver los procedimientos correctos.
- ⚠ No opere el asador de gas WEBER si existe una fuga de gas.
- ⚠ No use una llama para revisar si existen fugas de gas.
- ⚠ No coloque una cubierta para asador o cualquier cosa inflamable sobre el asador cuando esté en operación o cuando esté caliente.
- ⚠ El gas propano líquido no es gas natural. La conversión o tratar de usar gas natural en una unidad de gas propano líquido o gas propano líquido en una unidad de gas natural son peligrosos y anulará su garantía.
- ⚠ Mantenga cualquier cable de suministro eléctrico y la manguera de suministro de combustible alejados de cualquier superficie caliente.
- ⚠ No agrande el orificio de la válvula o los puertos del quemador al limpiar la válvula o el quemador.
- ⚠ El asador de gas WEBER debe limpiarse minuciosamente con regularidad.
- ⚠ Si ve, huele o escucha un chillido de gas escapando del cilindro de propano líquido:
  1. Aléjese del cilindro de propano líquido.
  2. No trate de corregir el problema usted mismo.
  3. Llame a los bomberos.
- ⚠ Si se presenta un incendio, apague el quemador y deje la tapa cerrada hasta que se apague el fuego.

- ⚠ El uso de alcohol, medicamento con receta médica, medicamento sin receta médica o drogas ilegales puede incapacitar la habilidad del cliente de ensamblar, mover, almacenar y operar de forma adecuada y segura este equipo.
- ⚠ Mantenga el asador en una superficie estable y plana en todo momento.

### PROPOSICIÓN 65 DE CALIFORNIA:

- ⚠ **ADVERTENCIA:** Los subproductos de la combustión al utilizar este producto contienen sustancias químicas reconocidas por el estado de California como causantes de cáncer, defectos congénitos u otros daños reproductivos.
- ⚠ **PROPOSICIÓN 65 ADVERTENCIA:** La manipulación de las partes de latón de este producto le expone al plomo, una sustancia química reconocida por el estado de California como causante de cáncer, defectos congénitos u otros daños reproductivos. *Lávese las manos después de utilizar este producto.*



# GARANTÍA

Gracias por su compra del producto WEBER. Weber-Stephen Products LLC, 1415 S. Roselle Road, Palatine, Illinois 60067 ("WEBER") se enorgullece en proporcionar un producto seguro, duradero y confiable.

Esta es la garantía voluntaria WEBER proporcionada sin costo adicional. Contiene la información que tendrá que tener para que su producto WEBER se repare en el raro caso de una falla o defecto.

**En cumplimiento con las leyes correspondientes, el cliente cuenta con varios derechos en el caso de un producto defectuoso. Esos derechos incluyen el rendimiento o reemplazo adicional, reducción del precio de compra y compensación. Por ejemplo, en la Unión Europea, se trataría de una garantía legal de dos años a partir de la fecha en que se entrega el producto. Estos y otros derechos legales permanecen vigentes por esta cláusula de garantía. De hecho, esta garantía otorga derechos adicionales al Dueño que son independientes de las cláusulas legales de garantía.**

## GARANTÍA VOLUNTARIA DE WEBER

WEBER garantiza, al comprador del producto WEBER (o en caso de una situación de regalo o promocional, la persona para la cual se compró como regalo o promoción), que el producto WEBER está libre de defectos en materiales y mano de obra por el/los periodo(s) de tiempo especificados a continuación cuando se arma y opera de acuerdo con Guía del Usuario acompañante. (Nota: Si usted pierde o no encuentra su Guía del Usuario de WEBER, puede encontrar una de reemplazo en línea en [www.weber.com](http://www.weber.com), o en el sitio específico del país que se le pueda asignar al Dueño). Bajo uso y mantenimiento normal en viviendas o departamentos familiares, WEBER está de acuerdo dentro del marco de esta garantía en reparar o reemplazar las partes defectuosas dentro de los periodos de tiempo correspondientes, las limitaciones y exclusiones incluidas continuación. HASTA EL GRADO PERMITIDO POR LA LEY CORRESPONDIENTE, ESTA GARANTÍA SE AMPLIA SOLO AL COMPRADOR ORIGINAL Y NO ES TRANSFERIBLE A DUEÑOS POSTERIORES, CON EXCEPCIÓN DEL CASO DE REGALOS Y ARTÍCULOS PROMOCIONALES COMO SE INDICÓ ARRIBA.

## RESPONSABILIDADES DEL DUEÑO BAJO ESTA GARANTÍA

Para asegurar una cobertura de garantía sin problemas, es importante (sin embargo no es requisito) que registre su producto WEBER en línea en [www.weber.com](http://www.weber.com), o en el sitio especificado por país que se le pueda indicar al cliente). Conserve también por favor su recibo o factura de compra original. Al registrar su producto WEBER confirma su cobertura de garantía y proporciona un enlace directo entre usted y WEBER en caso de que necesitemos contactarlo.

La garantía anterior solo se aplica si el Dueño toma el cuidado razonable del producto WEBER siguiendo todas las instrucciones de armado, las instrucciones de uso, y el mantenimiento preventivo, como se describe en la Guía del Usuario anexa, a menos que el Dueño pueda comprobar que el defecto o la falla es independiente de la falta de cumplimiento con las obligaciones mencionadas arriba. Si usted vive en un área costera o tiene su producto ubicado cerca de una piscina, el mantenimiento incluye el lavado y enjuagado regular de las superficies exteriores como se describe en la Guía del Usuario acompañante.

## MANEJO DE GARANTÍA / EXCLUSIÓN DE GARANTÍA

Si usted cree que cuenta con una pieza cubierta bajo esta Garantía, contacte por favor al Departamento de Servicio al Cliente de WEBER utilizando la información en nuestro sitio ([www.weber.com](http://www.weber.com), o la información específica del sitio a donde se le indique al Dueño). Después de una investigación, WEBER reparará o reemplazará (a su propia opción) una pieza defectuosa cubierta por esta Garantía. En el caso en que no sea posible una reparación o reemplazo, WEBER puede escoger (a su propia opción) reemplazar el asador en cuestión con un nuevo asador de igual o mayor valor. WEBER puede pedirle que regrese las piezas para su inspección, los cobros por envío deben ser prepagados.

Esta GARANTÍA se anula si existen daños, deterioros, descoloraciones u óxido por los cuales WEBER no sea responsable y que sean ocasionados por:

- abuso, falta de uso, alteración, modificación, mal uso, vandalismo, negligencia, montaje o instalación inadecuada y no realizar el mantenimiento normal y de rutina;
- Insectos (como arañas) y roedores (como ardillas), incluyendo más no limitándose a daños a los tubos del quemador y/o las mangueras de gas;
- Exposición a fuentes de aire con alta concentración de sal o cloro como piscinas y jacuzzies/spas;
- Condiciones ambientales severas como granizo, huracanes, terremotos, tsunamis u oleaje, tornados o fuertes tormentas.

El uso y/o instalación de piezas en su producto WEBER que no sean piezas genuinas WEBER anularán esta Garantía, y cualquier otro daño que resulte de los mismos no está cubierto bajo esta Garantía. Cualquier conversión de un asador de gas no autorizada por WEBER y realizada por un técnico de servicio autorizado WEBER anulará esta Garantía.

## PERIODOS DE GARANTÍA DE PRODUCTO

Caja para cocinar:  
10 años, sin que atraviese el óxido/quemaduras

Conjunto de la tapa:  
10 años, sin que atraviese el óxido/quemaduras

Componentes plásticos:  
5 años, excluyendo el deterioro o descoloración

Todas las partes restantes:  
2 años

## DESCARGOS DE RESPONSABILIDADES

ADÉMÁS DE LA GARANTÍA Y DESCARGOS DE RESPONSABILIDADES DESCRITOS EN ESTA DECLARACIÓN DE GARANTÍA; NO EXISTEN EXPLÍCITAMENTE GARANTÍAS ADICIONALES O DECLARACIONES VOLUNTARIAS DE RESPONSABILIDAD OTORGADAS POR EL PRESENTE QUE VAN MÁS ALLÁ DE LA RESPONSABILIDAD LEGAL APLICADA A WEBER. LA PRESENTE DECLARACIÓN DE GARANTÍA NO SE LIMITA NI EXCLUYE SITUACIONES O RECLAMOS EN DONDE WEBER CUENTA CON RESPONSABILIDAD OBLIGATORIA COMO LO ESTABLECE LA LEY.

NINGUNA GARANTÍA SE DEBERÁ APLICAR DESPUÉS DE LOS PERIODOS DE TIEMPO CORRESPONDIENTES DE ESTA GARANTÍA. NINGUNA OTRA GARANTÍA OFRECIDA POR CUALQUIER PERSONA, INCLUYENDO UN DISTRIBUIDOR O MINORISTA CON RESPECTO A CUALQUIER PRODUCTO (COMO CUALQUIER "GARANTÍA PROLONGADA"), DEBERÁN VINCULAR A WEBER. EL REMEDIO EXCLUSIVO DE ESTA GARANTÍA ES LA REPARACIÓN O REPLAZO DE LA PIEZA O PRODUCTO.

BAJO NINGUNA CIRCUNSTANCIA BAJO ESTA GARANTÍA VOLUNTARIA, LA RECUPERACIÓN DE CUALQUIER TIPO DEBERÁ SER MAYOR QUE LA CANTIDAD DEL PRECIO DE COMPRA DEL PRODUCTO WEBER VENDIDO.

USTED ASUME EL RIESGO Y RESPONSABILIDAD POR PÉRDIDA, DAÑO O LESIÓN HACIA USTED Y HACIA SU PROPIEDAD Y/O HACIA OTROS Y SUS PROPIEDADES QUE SE DERIVEN DEL MAL USO O ABUSO DEL PRODUCTO O DEBIDO A LA FALTA DE SEGUIMIENTO DE LAS INSTRUCCIONES PROPORCIONADAS POR WEBER EN LA GUÍA DEL USUARIO ACOMPAÑANTE.

LAS PIEZAS Y ACCESORIOS REMPLAZADOS BAJO ESTA GARANTÍA ESTÁN GARANTIZADOS SOLAMENTE POR EL TIEMPO RESTANTE DEL/DE LOS PERIODO(S) ORIGINAL(ES) DE LA GARANTÍA.

ESTA GARANTÍA SE APLICA AL USO EN HOGARES O DEPARTAMENTOS FAMILIARES PRIVADOS Y NO SE APLICA CUANDO LOS ASADORES DE GAS WEBER SE USAN EN AMBIENTES COMERCIALES, COMUNITARIOS O DE UNIDADES MÚLTIPLES COMO RESTAURANTES, HOTELES, CENTROS TURÍSTICOS O PROPIEDADES DE RENTA.

WEBER PUEDE DE VEZ EN CUANDO CAMBIAR EL DISEÑO DE SUS PRODUCTOS. NADA INCLUIDO EN ESTA GARANTÍA DEBERÁ INTERPRETARSE COMO UNA OBLIGACIÓN DE WEBER DE INCORPORAR DICHOS CAMBIOS DE DISEÑO EN LOS PRODUCTOS FABRICADOS ANTERIORMENTE, NI TAMPOCO DICHOS CAMBIOS DEBERÁN INTERPRETARSE COMO UNA ADMISIÓN DE QUE LOS DISEÑOS PREVIOS ESTABAN DEFECTUOSOS.

Webster-Stephen PRODUCTS LLC  
Centro de Servicio al Cliente  
1415 S. Roselle Road  
Palatine, Illinois 60067  
EE.UU.

Para piezas de repuesto, llame al:  
1-800-446-1071

Para compras hechas en México / Para garantía acudir / Importado por:

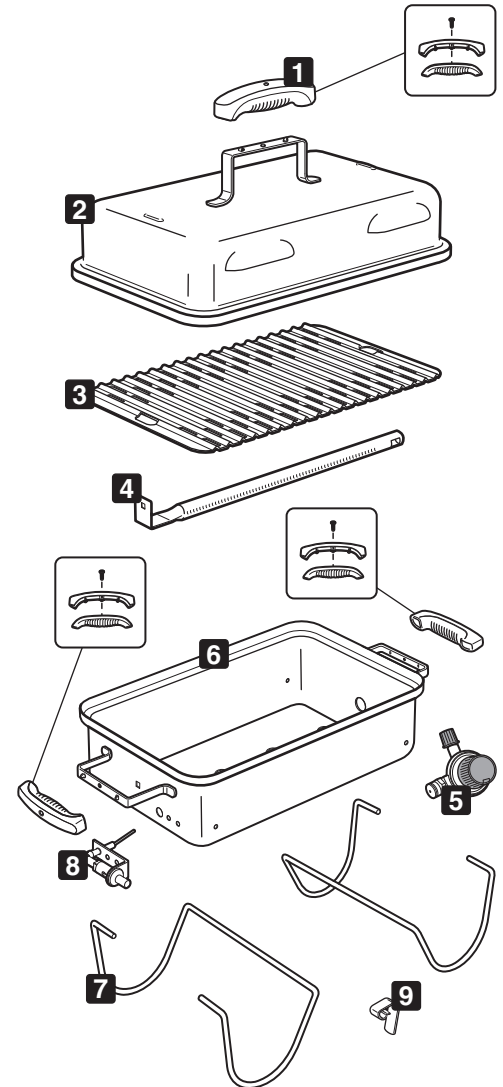
Webster-Stephen Products S.A. de C.V.  
Anatole France 139-139A  
Colonia. Polanco III Sección  
Del. Miguel Hidalgo  
Ciudad de México  
C.P. 11540  
RFC: WPR030919-ND4

Para partes de repuesto llame a:  
01800-00-WEBER (93237)

Para hacer efectiva esta garantía es necesario llame por teléfono a los números indicados en este apartado o presentarse en los establecimientos autorizados por WEBER. Para hacer efectiva esta garantía no pueden exigirse otros requisitos más que la presentación del producto, la garantía vigente y comprobante de venta.

# VISTA SECCIONADA

Gas\_Go-Anywhere\_XV\_US\_041216



1. Conjunto de la agarradera
2. Tapa
3. Rejilla para cocinar
4. Tubo del quemador
5. Conjunto del regulador
6. Caja para cocinar
7. Pata
8. Conjunto del electrodo de encendido
9. Clip de la pata

## ¿QUÉ ES EL GAS LP?

Gas licuado de petróleo, también llamado LPG, gas LP, propano líquido o simplemente propano, y es producto inflamable derivado del petróleo que se usa como combustible para su asador. Es un gas a temperaturas y presiones moderadas cuando no está en un recipiente. Pero a una presión moderada dentro de un recipiente, como un cilindro, el gas LP es líquido. A medida que se libera presión del cilindro, el líquido se vaporiza y se convierte en gas LP.

- El gas LP tiene un olor similar al gas natural. Usted debe estar pendiente de este olor.
- El gas LP es más pesado que el aire. Las fugas de gas LP pueden recolectarse en áreas bajas y resistir la dispersión.

### ⚠ PELIGRO

**No almacene NUNCA un cilindro de gas LP de repuesto debajo o cerca de los productos de gas WEBER. No obedecer esta indicación exactamente puede dar como resultado un incendio que podría ocasionar la muerte o lesiones físicas graves.**

## CONSEJOS PARA UN USO SEGURO DE LOS CILINDROS DE GAS LP

Hay varias pautas y recomendaciones de seguridad que deben tenerse en cuenta al utilizar un cilindro de gas LP. Siga estas instrucciones atentamente antes de usar su barbacoa de gas WEBER.

- No utilice cilindros de gas LP dañados, abollados u oxidados.
- Maneje los cilindros de gas LP "vacíos" con el mismo cuidado con el que manipula los cilindros llenos. Incluso cuando un cilindro no contiene líquido, todavía puede haber presión de gas en su interior.
- Los cilindros de gas LP no deben golpearse ni manejarse bruscamente.
- No almacene ni transporte nunca un cilindro de gas LP cuando las temperaturas puedan alcanzar 51.7 °C (125 °F) (el cilindro se calentará demasiado para sujetarlo directamente). Por ejemplo: no deje un cilindro de gas LP en un vehículo en un día caliente.
- Los cilindros de gas LP deben guardarse fuera del alcance de los niños.
- No los conecte al suministro de gas natural (gas de la ciudad). La válvula y el orificio están diseñados exclusivamente para gas licuado de petróleo.
- El cilindro de suministro de gas LP que se va a usar debe estar fabricado y marcado de acuerdo con las especificaciones para cilindros de gas LP del Departamento de Transporte de EE. UU. (DOT) o de la Norma para cilindros, esferas y tubos para el transporte de productos peligrosos, CAN/CSA-B339.
- El sistema de suministro del cilindro que se utilice con este producto debe estar diseñado para la recuperación de vapor.

## ALMACENAMIENTO Y/O INOPERATIVIDAD

En el caso de las barbacoas que se han guardado o que no se han utilizado durante un tiempo, es importante seguir estas indicaciones:

- Desconecte el cilindro si: 1) está vacío; 2) la barbacoa se guarda en una cochera o en otro lugar cerrado; 3) va a transportar la barbacoa; 4) la barbacoa no está en uso.
- Ponga el guardapolvos en la válvula del cilindro cuando no lo use.
- No guarde un cilindro de gas LP desconectado dentro de un edificio, una cochera o cualquier otro lugar cerrado.
- Las barbacoas de gas WEBER deben inspeccionarse antes de usarse para descartar la existencia de fugas de gas y de obstrucciones en el tubo del quemador. (Consulte "PREPARACIÓN PARA USAR SU ASADOR y MANTENIMIENTO ANUAL".)
- Revise que las áreas bajo la caja para cocinar no tengan restos que puedan obstruir el flujo de la combustión o del aire de ventilación.

## CÓDIGOS DE INSTALACIÓN EN LOS EE. UU.

La instalación debe cumplir con los códigos locales o, en la ausencia de estos, con la última edición del Código Nacional de Gas Combustible, ANSI Z223.1/NFPA 54.

## CÓDIGOS DE INSTALACIÓN CANADIENSES

Estas instrucciones, si bien son generalmente aceptables, no cumplen necesariamente con los códigos de instalación canadienses, particularmente en lo que respecta a las tuberías sobre y bajo tierra. En Canadá, la instalación de este aparato debe cumplir con los códigos locales y/o la última edición de la norma CAN/CSA-B149.2 (Código de Almacenamiento y Manipulación del Propano).

*NOTA: Su distribuidor puede ayudarle a encontrar el cilindro de repuesto correcto para su barbacoa.*

## CONEXIONES DE LOS REGULADORES

Su barbacoa de gas WEBER está equipada con un regulador de presión, que es un dispositivo que controla y mantiene una presión de salida uniforme del gas del cilindro. Todos los reguladores de presión WEBER son del tipo de recuperación de vapor.

- Debe usarse el regulador que se suministra con la barbacoa de gas WEBER. El regulador está ajustado para una presión de columna de agua de 11 pulgadas.
- El gas LP se controla con dos perillas. La perilla pequeña cierra y abre el suministro de gas. La perilla de control grande regula el flujo de gas de bajo a alto.

## COMBUSTIBLE PARA LA BARBACOA

Antes de usar la barbacoa por primera vez, debe comprar un cilindro de gas LP. También puede comprar un cilindro de gas LP de repuesto para no quedarse sin combustible mientras cocina.

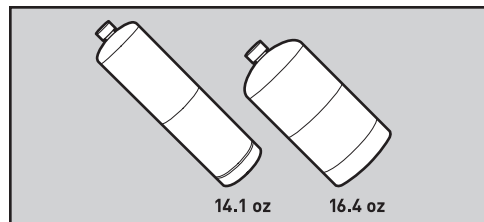
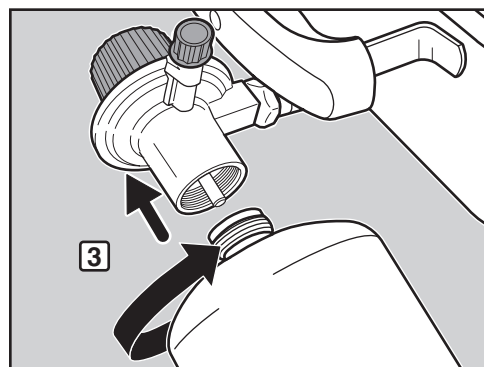
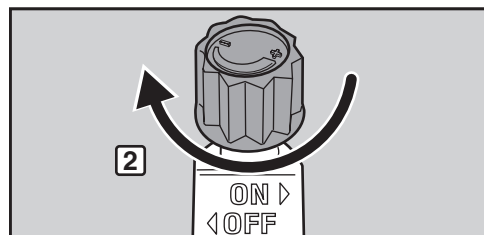
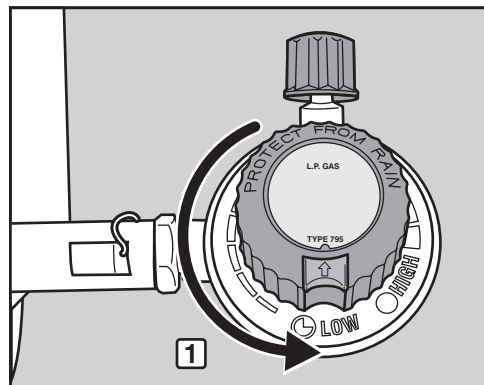
## INSTALACIÓN DEL CILINDRO DE GAS LP

Utilice cilindros de gas LP desechables con una capacidad de 14.1 onzas o 16.4 onzas equipados con una conexión CGA #600.

**⚠ PRECAUCIÓN: Utilice cilindros que digan "Propane Fuel" (gas propano), únicamente.**

- Asegúrese de girar la perilla de control grande en sentido contrario a las manecillas del reloj hasta que la pestaña roja quede fija en la posición BAJO (LOW) (1).
- Asegúrese de que el suministro de gas esté APAGADO (OFF) girando la perilla pequeña en el sentido de las manecillas del reloj hasta que quede completamente cerrada (2).
- Empuje el cilindro desechable en el regulador y gírelo en el sentido de las manecillas del reloj hasta que esté apretado (3).

**⚠ ADVERTENCIA: No utilice una llave para apretar la conexión. Utilizar una llave podría dañar la conexión del regulador y provocar una fuga.**



# PREPARACIÓN PARA USAR SU ASADOR

## ¿QUÉ ES UNA REVISIÓN DE FUGAS?

El sistema de combustible de su parrilla cuenta con conexiones y accesorios. Una revisión de fugas es una forma confiable de asegurarse que el gas no está escapándose de cualquiera de las conexiones o accesorios.

Aun cuando todas las conexiones hechas en la fábrica se han revisado minuciosamente por fugas, es importante realizar una revisión de detección de fugas antes de usar su parrilla por primera vez, al igual que cada vez que desconecte y vuelva a conectar un accesorio y cada vez que realice el mantenimiento de rutina.

### ⚠ PELIGRO

No use una llama expuesta para revisar si existen fugas de gas. Asegúrese de que no estén presentes chispas o llamas expuestas en el área mientras revisa si existen fugas. Las chispas o llamas expuestas podrían resultar en fuego o explosión lo cual puede ocasionar lesiones corporales graves o la muerte, y daños a la propiedad.

⚠ **ADVERTENCIA:** Las conexiones de gas de su parrilla se han sometido a pruebas en la fábrica. Sin embargo, le recomendamos que revise si hay fugas en todas las conexiones de gas antes de operar su asador de gas.

⚠ **ADVERTENCIA:** Realice estas revisiones contra fugas incluso si su parrilla fue armada por un distribuidor o en la tienda.

⚠ **ADVERTENCIA:** Siempre debe de revisar que no existan fugas de gas cuando desconecte y vuelva a conectar un accesorio de gas.

*NOTA: Todas las conexiones realizadas en la fábrica se han revisado minuciosamente para detectar fugas de gas y el quemador se ha sometido a pruebas de llama. Sin embargo, y como precaución de seguridad, debe revisar todos los accesorios para verificar si existen fugas antes de usar su asador de gas WEBER. El envío y manejo puede aflojar o dañar los accesorios de gas.*

## REVISANDO PARA VER SI HAY FUGAS DE GAS

### Confirme que el asador esté apagado

A) Confirme que el cilindro esté instalado adecuadamente. Consulte "CÓMO INSTALAR EL CILINDRO DE GAS LP."

Necesitará: Una botella rociadora o un cepillo o un paño y una solución de agua con jabón. (Usted puede hacer su propia solución de agua con jabón al mezclar 20% de jabón líquido con 80% de agua, o, puede comprar una solución en la sección de plomería de cualquier ferretería.)

B) Asegúrese que la perilla de control del regulador esté apagada al presionarla y gírela hacia la derecha a la posición de APAGADO (OFF).

⚠ **ADVERTENCIA: No encienda el quemador al estar revisando por fugas.**

C) Para revisar si existen fugas, moje los accesorios con la solución de agua con jabón, usando la botella rociadora, un cepillo o un paño. Si se forman burbujas o si una burbuja crece, entonces existe una fuga. Aplique la solución de jabón con agua a las siguientes conexiones:

a) Conexión del regulador al cilindro (1).

⚠ **ADVERTENCIA: Si existe una fuga en la conexión (1), quite el cilindro. NO PONGA EN FUNCIONAMIENTO EL ASADOR. Instale un cilindro diferente y vuelva a revisar si existen fugas con la solución de agua y jabón. Si la fuga persiste después de instalar un cilindro diferente, apague el gas. NO PONGA EN FUNCIONAMIENTO EL ASADOR. Contacte al representante de Servicio al Cliente en su área usando la información de contacto de nuestro sitio web.**

Ingrese a [www.weber.com](http://www.weber.com).

b) Accesorio del orificio al regulador (2).

⚠ **ADVERTENCIA: Si existe una fuga en la conexión (2), apague el gas. NO PONGA EN FUNCIONAMIENTO EL ASADOR. Contacte al representante de Servicio al Cliente en su área usando la información de contacto de nuestro sitio web.**

Ingrese a [www.weber.com](http://www.weber.com).

D) Cuando termine de revisar para ver si existen fugas, apague el suministro de gas en la fuente y enjuague las conexiones con agua.

*NOTA: Debido a que algunas soluciones para hacer pruebas de fugas, incluyendo agua y jabón, pueden ser levemente corrosivas, debe enjuagar todas las correcciones con agua después de revisar si existen fugas.*

⚠ **ADVERTENCIA: Asegúrese que todas las partes estén bien montadas y que apretó totalmente todos los herrajes antes de poner en funcionamiento el asador. Sus acciones, o la falta de no seguir esta Advertencia del Producto, pueden ocasionar incendios, una explosión o falla estructural que pueden resultar en graves lesiones personales o la muerte al igual que daños a la propiedad.**

Ahora ya está listo para usar su parrilla.

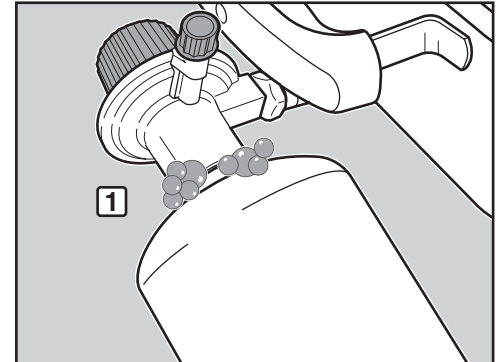
## CÓMO QUITAR EL CILINDRO DE GAS LP

Cuando necesita reemplazar el cilindro de gas LP, siga las siguientes instrucciones para quitarlo.

A) Asegúrese que la perilla de control del regulador esté

apagada al presionarla y gírela hacia la derecha a la posición de APAGADO (OFF).

B) Desatornille el cilindro desechable del regulador al girar el cilindro en el sentido opuesto a las manecillas del reloj.



## LA SEGURIDAD ES PRIMERO

Es una buena idea formarse el hábito de realizar unas cuantas revisiones de seguridad antes de asar.

Debe considerar la seguridad al tratar de decidir en dónde colocar y operar su asador. Asegúrese de leer las siguientes advertencias antes de instalar o usar su asador.

### ADVERTENCIAS:

- ⚠ Solo use su asador en exteriores en un área bien ventilada. No lo use en la cochera, un edificio, un pasaje techado o en cualquier otra área cerrada.
- ⚠ Su asador de gas WEBER no deberá usarse debajo o arriba de una construcción inflamable.
- ⚠ Su asador de gas WEBER no está diseñado para instalarse en o sobre vehículos o lanchas para fines recreativos.
- ⚠ Mantenga el área en donde va a cocinar libre de vapores o líquidos inflamables como gasolina, alcohol, etc., y materiales combustibles.
- ⚠ Toda la caja para cocinar se calienta durante su uso. No la toque.
- ⚠ No mueva el asador de gas WEBER cuando esté en funcionamiento o cuando esté caliente.
- ⚠ Al cocinar, el equipo debe estar nivelado, en una superficie estable, sobre un área sin material inflamable. Puede que una superficie de asfalto (alquitrán) no sea la adecuada para este propósito.
- ⚠ No coloque el asador sobre vidrio o una superficie inflamable; el calor se puede transmitir a través de las patas de los asadores portátiles.

### MANTENGA LIMPIA LA CAJA PARA COCINAR

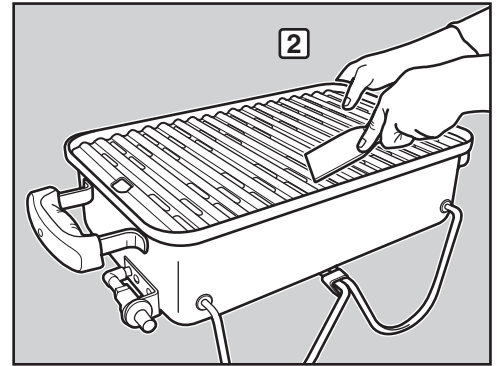
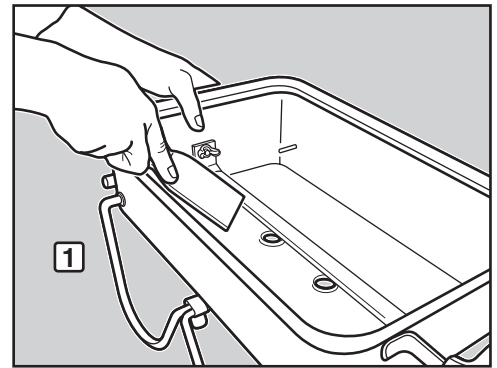
Es importante mantener limpio el fondo de la caja para cocinar antes de encender su asador. Quite el exceso de grasa con un tallador de plástico (1). Limpie la grasa restante con toallas de papel. También puede limpiar la caja para cocinar usando un paño con agua jabonosa y enjuagarla con agua.

### MANTENGA LIMPIA LA REJILLA PARA COCINAR

Es importante mantener limpia la rejilla para cocinar antes de encender su asador. Quite el exceso de grasa con un tallador de plástico (2). Limpie la grasa restante con toallas de papel. También puede limpiar la rejilla para cocinar usando un paño con agua tibia jabonosa y enjuagarla con agua.

*Nota: Asegúrese que la rejilla para cocinar se instale con el lado de asar hacia arriba. Consulte "MONTAJE".*

- ⚠ **ADVERTENCIA:** Revise que el fondo de la caja para cocinar no tenga acumulación de grasa antes de cada uso. Quite el exceso de grasa para evitar que se prenda la grasa. Un incendio de grasa puede ocasionar graves lesiones corporales o daño a la propiedad.
- ⚠ **PRECAUCIÓN:** No cubra la caja para cocinar con papel aluminio.



⚠ **ATENCIÓN:** A este producto se le han realizado pruebas de seguridad y ha sido certificado para usarse en un país específico. Refiérase al país indicado en la parte externa del cartón de empaque.

Estas partes pueden ser componentes que transporten gas o lo quemen. Por favor póngase en contacto con el Departamento de Atención al Cliente de Weber-Stephen Products LLC para obtener información sobre las partes de repuesto Weber-Stephen Products LLC genuinas.

⚠ **ADVERTENCIA:** No trate de realizar reparación alguna a los componentes que transporten o quemen gas sin antes ponerse en contacto con el Departamento de Atención al Cliente de Weber-Stephen Products LLC. Si no llegase a acatar esta advertencia, sus acciones podrían causar un fuego o una explosión que resulte en lesiones personales serias o la muerte o daños a la propiedad.



## MÉTODOS DE ENCENDIDO DEL QUEMADOR

Existen dos formas de encender el quemador. La primera es usando el sistema de encendido integrado de su asador. La segunda es con un cerillo.

A continuación incluimos los pasos para encender su asador usando el sistema de encendido. En la siguiente página se incluyen los pasos para encender su asador con un cerillo.

## ENCENDIDO DEL QUEMADOR

A) Quite la tapa (1).

### ⚠ PELIGRO

**No quitar la tapa antes de encender el quemador de la barbacoa, o no esperar cinco minutos para permitir que el gas se disipe si la barbacoa no se enciende, puede provocar una conflagración explosiva que puede ocasionar lesiones físicas graves o la muerte.**

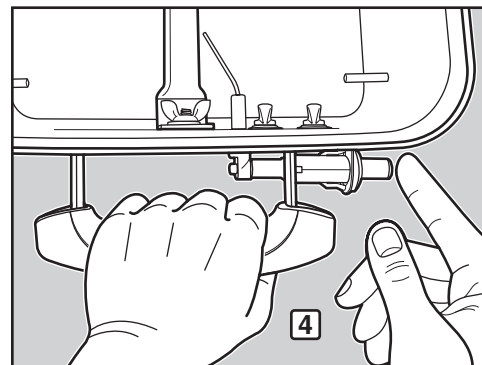
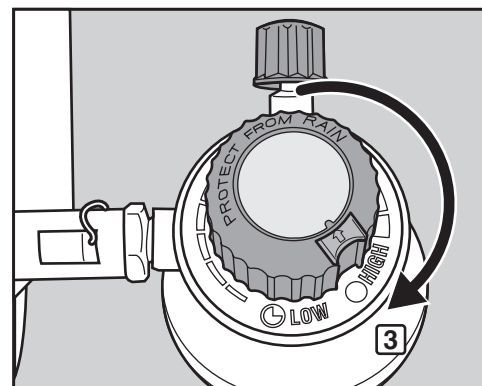
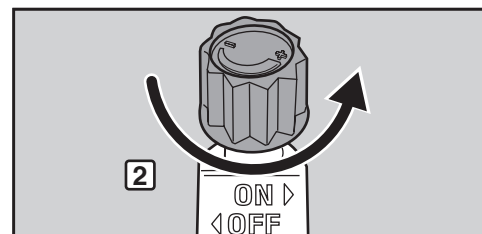
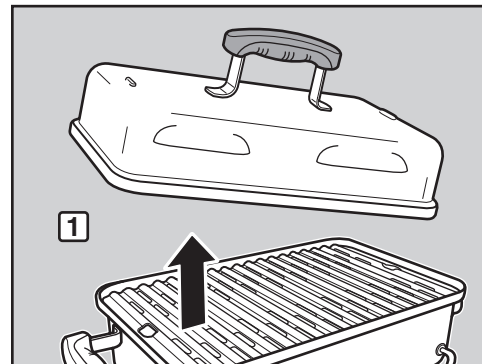
- B) Asegúrese de girar la perilla de control grande en sentido contrario a las manecillas del reloj hasta que la pestaña roja quede fija en la posición BAJO (LOW).
- C) Asegúrese de que el suministro de gas esté APAGADO (OFF) girando la perilla pequeña en el sentido de las manecillas del reloj hasta que quede completamente cerrada.
- D) Confirme que el cilindro de gas LP esté instalado correctamente.
- E) Abra completamente el suministro de gas girando la perilla pequeña en sentido contrario a las manecillas del reloj hasta la posición ABIERTO (ON) (2).
- F) Presione la pestaña roja en la perilla de control grande y gírela en el sentido de las manecillas del reloj hasta la posición ALTO (HIGH) (3).
- G) Sujete la agarradera de la caja para cocinar. Presione el botón de encendido varias veces, de manera que emita un chasquido cada vez (4).
- H) Mire a través de la rejilla para cocinar y compruebe que el quemador esté encendido. Debe ver una llama.

⚠ **ADVERTENCIA: No se incline sobre la barbacoa abierta al encenderla.**

⚠ **ADVERTENCIA: Si el quemador no se enciende en cinco segundos, deténgase, cierre el suministro de gas completamente girando la perilla pequeña en el sentido de las manecillas del reloj hasta la posición CERRADO (OFF); a continuación, gire la perilla de control grande en sentido contrario a las manecillas del reloj hasta que la pestaña roja quede fija en la posición BAJO (LOW). Espere cinco minutos para permitir que el gas se disipe antes de volver a intentarlo o encenderlo con una cerilla.**

## PARA APAGAR EL QUEMADOR

Cierre completamente el suministro de gas girando la perilla pequeña en el sentido de las manecillas del reloj hasta la posición CERRADO (OFF); a continuación, gire la perilla de control grande en sentido contrario a las manecillas del reloj hasta que la pestaña roja quede fija en la posición BAJO (LOW).





## ENCENDIDO DEL QUEMADOR

### Encendido con una cerilla

A) Quite la tapa (1).

#### ⚠ PELIGRO

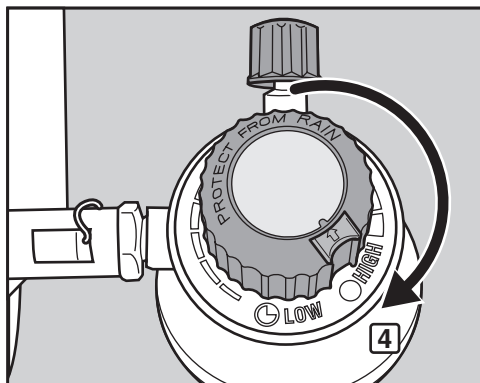
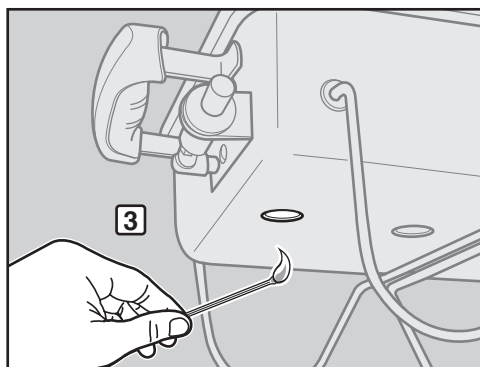
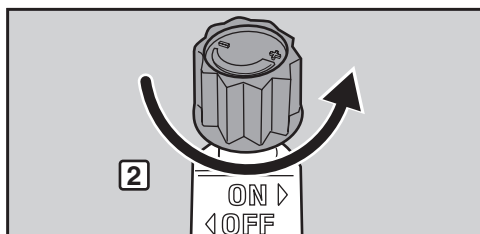
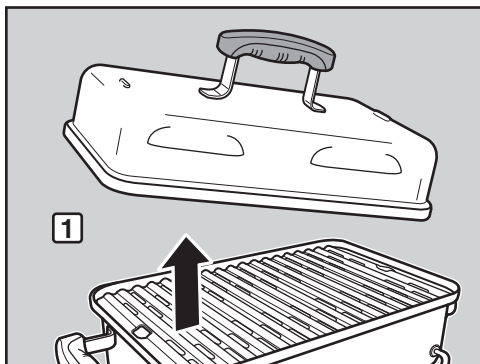
**No quitar la tapa antes de encender el quemador de la barbacoa, o no esperar cinco minutos para permitir que el gas se disipe si la barbacoa no se enciende, puede provocar una conflagración explosiva que puede ocasionar lesiones físicas graves o la muerte.**

*NOTA: Al pararse de frente a la barbacoa, el conjunto del regulador/válvula debe estar situado en el lado derecho.*

- B) Asegúrese de girar la perilla de control grande en sentido contrario a las manecillas del reloj hasta que la pestaña roja quede fija en la posición BAJO (LOW).
- C) Asegúrese de que el suministro de gas esté APAGADO (OFF) girando la perilla pequeña en el sentido de las manecillas del reloj hasta que quede completamente cerrada.
- D) Confirme que el cilindro de gas LP esté instalado correctamente.
- E) Abra completamente el suministro de gas girando la perilla pequeña en sentido contrario a las manecillas del reloj hasta la posición ABIERTO (ON) (2).
- F) Encienda una cerilla larga e introduzca la llama en el orificio de ventilación situado en la parte inferior izquierda de la barbacoa (3). Mientras sostiene la cerilla encendida, presione la pestaña roja en la perilla de control grande y gírela en el sentido de las manecillas del reloj hasta la posición ALTO (HIGH) (4).
- G) Mire a través de la rejilla para cocinar para comprobar que el quemador se haya encendido. Debe ver una llama.

**⚠ ADVERTENCIA: No se incline sobre la barbacoa abierta al encenderla. Mantenga la cara y el cuerpo a una distancia de al menos 30 cm (12 pulgadas) del orificio de ventilación de la parte inferior izquierda al encender la barbacoa.**

**⚠ ADVERTENCIA: Si el quemador no se enciende en cinco segundos, deténgase, cierre el suministro de gas completamente girando la perilla pequeña en el sentido de las manecillas del reloj hasta la posición CERRADO (OFF); a continuación, gire la perilla de control grande en sentido contrario a las manecillas del reloj hasta que la pestaña roja quede fija en la posición BAJO (LOW). Espere cinco minutos para permitir que el gas se disipe antes de volver a intentarlo.**



## PARA APAGAR EL QUEMADOR

Cierre completamente el suministro de gas girando la perilla pequeña en el sentido de las manecillas del reloj hasta la posición CERRADO (OFF); a continuación, gire la perilla de control grande en sentido contrario a las manecillas del reloj hasta que la pestaña roja quede fija en la posición BAJO (LOW).

# CONSEJOS Y SUGERENCIAS DE AYUDA PARA ASAR A LA PARRILLA

## SUGERENCIAS Y CONSEJOS

- Siempre precaliente el asador antes de cocinar. Fije el quemador en calentamiento alto y cierre la tapa, precaliente por 5 a 10 minutos.
- Puede que la temperatura de su asador de gas sea más alta de lo normal durante los primeros usos.
- Los tiempos de las recetas para asar se basan en una temperatura externa de 70°F (21°C) y con poco o nada de aire. Agregue más tiempo de cocción en días fríos o con viento, o bien a altas altitudes. Permita menos tiempo de cocción en climas extremadamente calientes.
- Las condiciones para asar pueden requerir ajustes de la perilla de control del regulador para obtener las temperaturas correctas para cocinar.
- En general, las piezas grandes de carne necesitarán más tiempo para cocinar por libra (kilo) que una pieza pequeña de carne.
- Asegúrese siempre que la caja para cocinar esté limpia y libre de desechos.
- Si se presenta un arrebato de llamas no deseado, apague el quemador y coloque los alimentos en otra área de la rejilla para cocinar. Las llamas bajaran rápidamente. Después de que bajen las llamas, vuelva a encender el asador. **NUNCA USE AGUA PARA EXTINGUIR LAS LLAMAS EN UN ASADOR DE GAS.**
- Usar un cronómetro le ayudará a advertirle cuando “bien cocido” está a punto de convertirse en “recocado.”
- Una capa ligera de aceite le ayudará a dorar uniformemente los alimentos y evitará que se peguen a la rejilla para cocinar. Siempre cepille o rocíe aceite sobre sus alimentos y no directamente sobre la rejilla para cocinar.

## PRECALENTAMIENTO

Es importante precalentar el asador antes de asar. Para precalentar: Encienda su asador de acuerdo a las instrucciones de la Guía del Usuario; luego gire la perilla de control del regulador a la posición START/HIGH (INICIO/ALTA), cierre la tapa y precaliente el asador. Esto tomará entre 5 a 10 minutos dependiendo de las condiciones de la temperatura del aire y del viento. Después de precalentarla, puede ajustar el quemador como lo desee.

**⚠ ADVERTENCIA: Si el quemador se apaga mientras la parrilla está funcionando, cierre la válvula de gas. Abra la tapa y espere cinco minutos antes de tratar de volver a encenderla, usando las instrucciones de encendido.**

## COCINANDO CON LA CUBIERTA CERRADA

Quando cocina a la parrilla, la tapa debe estar hacia abajo para proporcionar una circulación de calor uniforme y pareja. Con la tapa hacia abajo, el asador de gas cocina mucho mejor que un horno de convención. Todo el precalentamiento y el asado a la parrilla se hacen con la tapa hacia abajo. Nada de echar un vistazo, ya que se pierde calor cada vez que levanta la tapa.

Para más consejos y recetas para asar a la parrilla, visite [www.weber.com](http://www.weber.com).

# SOLUCIÓN DE PROBLEMAS

PROBLEMAS	SOLUCIONES
El quemador no se enciende al presionar el botón del sistema de encendido.	<p>Asegúrese que exista flujo de gas al quemador, trate de encender el quemador con un cerillo. Consulte “ENCENDIDO DEL QUEMADOR—Encendido con un cerillo.” Si puede encenderlo con un cerillo, el problema existe en el sistema de encendido. Consulte “MANTENIMIENTO DEL SISTEMA DE ENCENDIDO DEL BOTÓN A PRESIÓN.”</p> <p>Asegúrese que la punta del electrodo de encendido esté ajustada a una distancia adecuada desde los orificios en el tubo del quemador. Consulte “MANTENIMIENTO DEL SISTEMA DE ENCENDIDO DEL BOTÓN A PRESIÓN.”</p>
El quemador no se enciende o la llama está muy baja cuando la perilla de control del regulador está en la posición más ALTA.	<p>La válvula de suministro podría no estar completamente abierta. Consulte “ENCENDIDO DEL QUEMADOR”.</p> <p>Puede que haya muy poco o nada de combustible. Remplace el cilindro de gas LP. Consulte “COMO QUITAR EL CILINDRO DE GAS LP.”</p>
El patrón de la llama del quemador es errático. La llama está muy baja cuando la perilla de control del regulador está en la posición más ALTA. Las llamas no se distribuyen a lo largo de toda la longitud del tubo del quemador.	<p>Limpie los puertos del quemador que corren a lo largo de toda la longitud del tubo del quemador. Consulte “MANTENIMIENTO ANUAL.”</p>
El tubo del quemador tiene una abertura grande por el regulador.	<p>El tubo del quemador está diseñado con un orificio para una mezcla de aire y gas. Este orificio se llama una abertura del obturador de aire. <b>ESTO NO ES UN DEFECTO.</b> Mantenga esta área libre de escombros. Consulte “MANTENIMIENTO ANUAL.”</p>
Las llamas se avivan. <b>⚠ PRECAUCIÓN: No cubra la caja para cocinar con papel aluminio.</b>	<p>La parrilla debe precalentarse con el quemador en alto por 5 a 10 minutos.</p> <p>Limpie minuciosamente la rejilla para cocinar para quitar la grasa. Consulte “REVISIONES DE SEGURIDAD ANTES DE USAR SU ASADOR.”</p> <p>La caja para cocinar puede estar sucia. Limpie la caja para cocinar. Consulte “REVISIONES DE SEGURIDAD ANTES DE USAR SU ASADOR.”</p>
La parte interna de la tapa parece estar “despegándose.” (Similar a pintura despegándose.)	<p>La parte interna de la tapa es esmalte de porcelana. No está pintada. No se puede “despegar.” Lo que está viendo es grasa horneada que se convirtió en carbón y se está escamando. <b>ESTO NO ES UN DEFECTO.</b> Limpie minuciosamente. Consulte “LIMPIEZA DE LA PARTE INTERNA DEL ASADOR.”</p>

Si no puede corregir los problemas usando estos métodos, póngase en contacto con un representante de Servicios al Cliente en su área usando la información de contacto en nuestro sitio web. Ingrese a [www.weber.com](http://www.weber.com).

## CÓMO MANTENER SU PARILLA DE GAS WEBER EN ÓPTIMA CONDICIÓN

### ⚠ PELIGRO

No corregir cualquiera de los problemas descritos en esta página puede resultar en incendio, lo cual puede ocasionar lesiones corporales graves o la muerte; además puede ocasionar daños a la propiedad.

Para mantener su asador de gas WEBER funcionando de forma segura y eficiente como desde el primer día, recomendamos enfáticamente que inspeccione y limpie el tubo del quemador al menos una vez al año. A continuación incluimos importante información sobre esta área de la parrilla que debe someterse a mantenimiento anual.

Si observa un patrón incorrecto de llama o un puerto del quemador bloqueado, proceda con las instrucciones "LIMPIEZA O REPLAZO DEL TUBO DEL QUEMADOR" en las siguientes páginas.

### PATRÓN DE LLAMA DEL QUEMADOR

El tubo del quemador en su asador de gas WEBER está programado de fábrica con la mezcla correcta de aire y gas. El patrón correcto de llama se muestra en la ilustración y se describe a continuación:

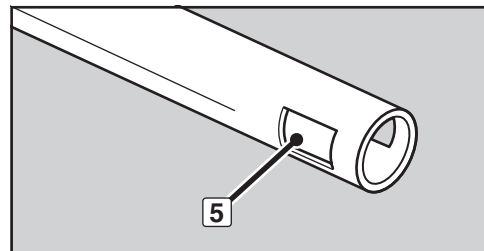
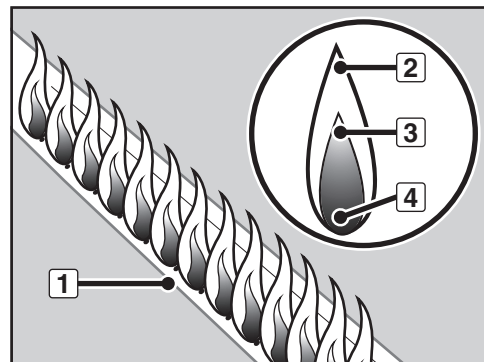
- Tubo del quemador (1)
- Las puntas ocasionalmente tienen un titileo amarillo (2)
- Azul claro (3)
- Azul oscuro (4)

Revise el patrón de la llama del quemador. Si las llamas no concuerdan con la descripción anterior, puede ser un indicativo de que la abertura del obturador de aire se ha bloqueado con escombros (5). (Consulte "LIMPIEZA O REPLAZO DEL TUBO DEL QUEMADOR.")

### PUERTOS DEL TUBO DEL QUEMADOR

Con el tiempo y con el uso repetido de la parrilla, los puertos del tubo del quemador se ensuciarán. Los puertos bloqueados y sucios pueden restringir el flujo total de gas. A continuación incluimos formas para determinar si los puertos del tubo del quemador están sucios o bloqueados.

- La parrilla no alcanza la temperatura deseada
- La parrilla no se calienta uniformemente
- El quemador no enciende



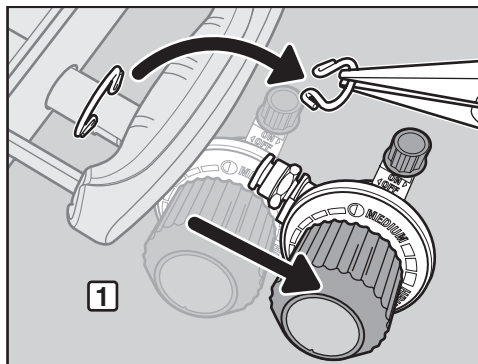
## LIMPIEZA O REEMPLAZO DEL TUBO DEL QUEMADOR

### Confirme que la barbacoa esté apagada y fría

- A) Asegúrese de girar la perilla de control grande en sentido contrario a las manecillas del reloj hasta que la pestaña roja quede fija en la posición BAJO (LOW).
- B) Asegúrese de que el suministro de gas esté APAGADO (OFF) girando la perilla pequeña en el sentido de las manecillas del reloj hasta que quede completamente cerrada.
- C) Desconecte el cilindro de gas LP.
- D) Quite la tapa.
- E) Quite la rejilla para cocinar.

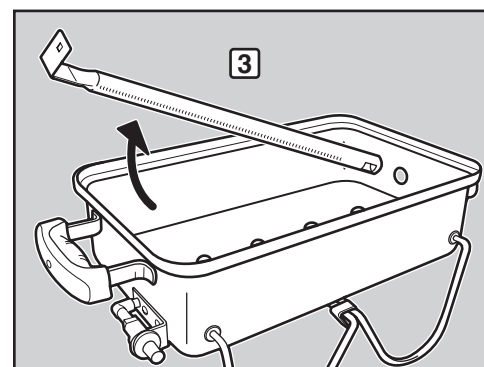
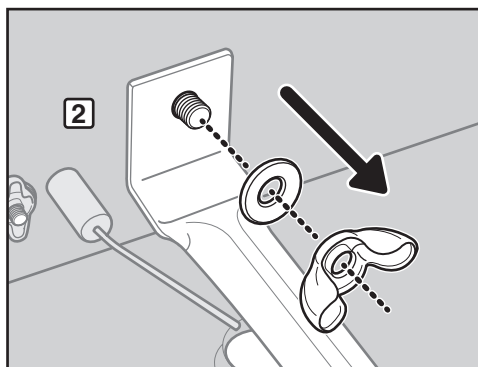
### Quite el conjunto del regulador

- A) Quite el clip de retención y el conjunto del regulador (1).



### Quite el tubo del quemador

- A) Quite la tuerca mariposa, la arandela y el tornillo (2).
- B) Saque con cuidado el tubo del quemador y póngalo en un lugar alejado de la caja para cocinar (3).



### Limpie el tubo del quemador

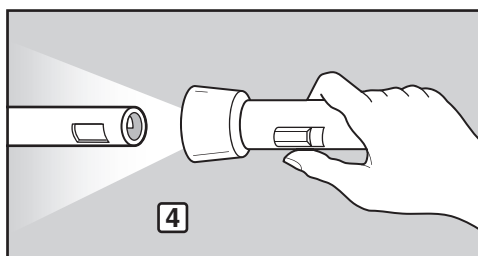
Necesitará: Una linterna, un alambre (un gancho para ropa enderezado) y un cepillo de cerdas de alambre de acero inoxidable adecuado.

- A) Mire dentro del tubo del quemador con una linterna (4).
- B) Limpie cualquier desecho u obstrucción en el interior del tubo del quemador con el alambre (5).
- C) Use el cepillo de cerdas de acero para limpiar el exterior del tubo del quemador. Esto se hace para asegurar que todos los puertos del quemador (aberturas) situados a lo largo del tubo estén totalmente abiertos (6).

**⚠ PRECAUCIÓN: No agrande los puertos del quemador al limpiarlos.**

### Vuelva a instalar el tubo del quemador

- A) Con cuidado, deslice el tubo del quemador a través del orificio en el lado derecho de la caja para cocinar.
- B) Vuelva a instalar la tuerca mariposa, la arandela y el tornillo que aseguran el tubo del quemador a la caja para cocinar (apriete sólo con la mano).



### Vuelva a instalar el conjunto del regulador

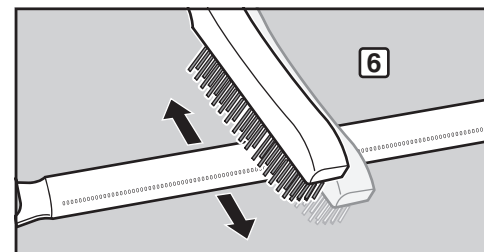
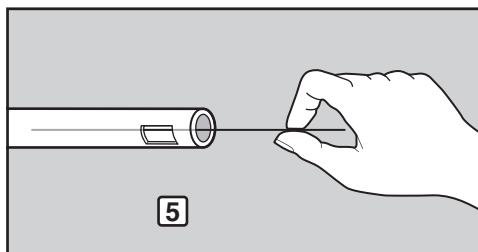
- A) Vuelva a instalar el conjunto del regulador y asegúrelo con el clip de retención.

**⚠ PELIGRO: No utilice la barbacoa si el clip de retención que asegura el regulador y el orificio al tubo del quemador no está instalado.**

**⚠ ADVERTENCIA: Compruebe que no haya fugas de gas cada vez que desconecte y vuelva a conectar un conector de gas.**

- B) Verifique que la punta del electrodo de encendido esté a la distancia correcta de los orificios del tubo del quemador. Consulte "MANTENIMIENTO DEL BOTÓN DE PRESIÓN DEL SISTEMA DE ENCENDIDO" para ver la posición correcta.

- C) Vuelva a instalar la rejilla para cocinar.
- D) Vuelva a instalar la tapa.
- E) Vuelva a instalar el cilindro de gas LP.



# MANTENIMIENTO DE RUTINA

## EXCELENCIA— POR DENTRO Y POR FUERA

Los dueños de los asadores WEBER tienen mucho orgullo en sus asadores. Presuma su orgullo y deleite. Mantenga su asador limpio y excelente—por dentro y por fuera—siguiendo estos pasos de mantenimiento de rutina.

### LIMPIEZA DE LA PARTE EXTERNA DEL ASADOR

Para mantener la mejor apariencia de la parte externa de su asador, use las siguientes pautas para una limpieza segura.

**⚠ ADVERTENCIA: Apague su asador de gas WEBER y espere a que se enfríe antes de limpiarlo.**

#### Superficies pintadas, esmaltadas y de plástico

Use una solución jabonosa y tibia para limpiar las superficies exteriores, luego enjuague con agua.

**IMPORTANTE: No use limpiadores que contengan ácido, aguarrás o xileno. No use limpiadores para el horno, limpiadores abrasivos (limpiadores para la cocina), limpiadores que contienen productos cítricos, o almohadillas abrasivas de limpieza sobre el asador.**

### LIMPIEZA DE LA PARTE INTERIOR DEL ASADOR

Para que su asador funcione de manera segura y eficiente, es importante quitar cualquier desecho y exceso de grasa que pueda haberse acumulado en la parte interna del asador. Use las siguientes directrices para una limpieza segura.

#### Parte interna de la tapa

La acumulación de grasa se asemeja a pintura descascarándose. Limpie la parte interna de la tapa con una toalla de papel para evitar la acumulación de grasa. Lave la parte interna de la tapa con agua jabonosa y tibia, luego enjuague con agua.

#### Componentes de la caja para cocinar y tubo del quemador

Necesitará: Un cepillo de cerdas de alambre de acero inoxidable y un raspador firme de plástico.

A) Talle y cepille la rejilla para cocinar con el tallador y el cepillo. Quite la rejilla para cocinar y colóquela a un lado.

**⚠ PRECAUCIÓN: Debe revisar regularmente los cepillos para parrilla para verificar que no tengan cerdas sueltas o desgaste excesivo. Reemplace el cepillo si encuentra cerdas sueltas sobre la rejilla para cocinar o el cepillo. WEBER recomienda comprar un cepillo nuevo para rejilla de acero inoxidable al inicio de cada primavera.**

**⚠ PRECAUCIÓN: No limpie la rejilla para cocinar en un horno de limpieza automática.**

- B) Cepille cualquier desecho sobre el tubo del quemador. No agrande los puertos del quemador (aberturas) ubicadas a lo largo de la longitud del tubo del quemador (1).
- C) Al terminar la limpieza, vuelva a colocar la rejilla para cocinar.

#### Caja para cocinar

Lave la parte interna de la caja para cocinar con agua jabonosa y tibia, luego enjuague con agua.

### FUNCIONAMIENTO DEL SISTEMA DE ENCENDIDO

El sistema de encendido suministra una chispa al conjunto del electrodo del encendido. Sin importar si está realizando mantenimiento de rutina o está realizando pruebas de solución de problemas en el sistema de encendido, lea lo siguiente para asegurar que su sistema de encendido funcione adecuadamente.

**⚠ ADVERTENCIA: La perilla de control del regulador deberá estar en la posición OFF (APAGADO).**

Si el sistema de encendido no enciende su asador de gas WEBER, entonces tendrá que precisar en dónde está ocurriendo el problema: si es con el flujo de gas o con el sistema de encendido. Empiece tratando de encender su quemador con un cerillo. Consulte "ENCENDIDO DEL QUEMADOR—Encendido con un cerillo". Si puede encenderlo con un cerillo, el problema existe en el sistema de encendido.

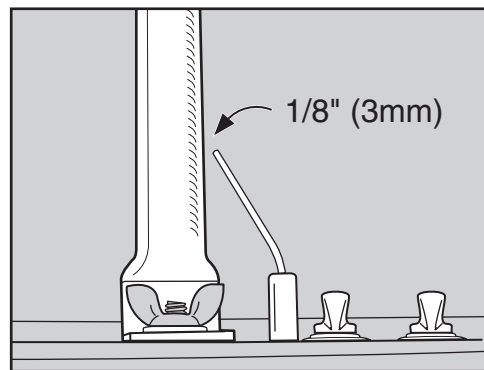
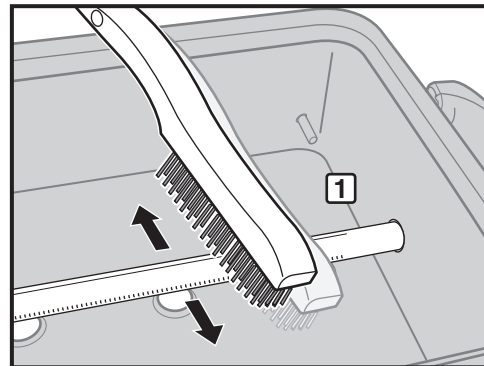
### MANTENIMIENTO DEL BOTÓN DE PRESIÓN DEL SISTEMA DE ENCENDIDO

- Verifique que el botón de encendido se pueda presionar hacia adentro, que haga clic y que regrese a su posición hacia afuera.
- Verifique que la punta del electrodo de encendido esté ajustada a una distancia adecuada desde los orificios en el tubo del quemador.

#### **⚠ PELIGRO**

**Asegúrese que la punta del electrodo de encendido esté ajustada a una distancia adecuada desde los orificios en el tubo del quemador. Si no está ajustada adecuadamente, el gas puede acumularse en el asador que está encendiendo. Puede presentarse un encendido retrasado del gas acumulado. Esto puede resultar en fuego o explosión lo cual puede ocasionar lesiones corporales graves o la muerte, y daños a la propiedad.**

Si el botón de presión del sistema de encendido no enciende, póngase en contacto con un representante de Servicio al Cliente en su área usando la información de contacto en nuestro sitio web. Ingrese a [www.weber.com](http://www.weber.com).



Weber-Stephen Products LLC  
[www.weber.com](http://www.weber.com)





# GO-ANYWHERE

## GUIDE D'UTILISATION DU BARBECUE AU GPL

Montage - Pg. 4



Merci d'avoir acheté un barbecue WEBER.  
Maintenant, prenez quelques minutes et protégez-le  
en enregistrant votre produit en ligne à [www.weber.com](http://www.weber.com).

### ⚠ DANGER

Si vous sentez une odeur de gaz :

- 1) Coupez l'admission de gaz de l'appareil.
- 2) Éteindre toute flamme nue.
- 3) Ouvrir le couvercle.
- 4) Si l'odeur persiste, appelez immédiatement votre fournisseur de gaz ou votre service des incendies.

Le non respect des instructions suivantes peut entraîner des dommages matériels, des blessures graves ou la mort résultant d'un incendie ou d'une explosion.

### ⚠ DANGER

- 1) Ne jamais faire fonctionner cet appareil sans surveillance.
- 2) Ne jamais faire fonctionner cet appareil à moins de 10 pieds (3,05 m) d'une autre bouteille de gaz. Les matériaux combustibles incluent, de manière non exhaustive, les terrasses, patios et porches en bois (traité ou non).
- 3) Ne jamais faire fonctionner cet appareil à moins de 25 pieds (7,5 m) d'un liquide inflammable.
- 4) Si un incendie devait se produire, restez loin de l'appareil et appeler immédiatement le service des incendies. Ne tentez pas d'éteindre l'huile ou la graisse en feu avec de l'eau.

Le non respect des instructions suivantes peut entraîner des dommages matériels, des blessures graves ou la mort résultant d'un incendie ou d'une explosion.

Cette notice contient des renseignements importants permettant un assemblage adéquat et à une utilisation sécuritaire de l'appareil.

Lire et suivre toutes les mises en garde et toutes les instructions avant l'assemblage et l'utilisation de l'appareil.

Suivre toutes les mises en garde et toutes les instructions lors de l'utilisation de l'appareil.

Conservez cette notice pour consultation ultérieure.

Suivez toutes les procédures de détection des fuites de ce manuel avec soin avant d'utiliser le barbecue. Faites-le même si le barbecue a été assemblé par le revendeur.

N'allumez pas cet appareil sans lire d'abord les sections traitant de l'allumage du brûleur de ce manuel.

**CET APPAREIL A GAZ EST CONÇU POUR UNE UTILISATION EN EXTERIEUR UNIQUEMENT.**



SKU: 1141001  
BTU: 6500/hr

48988

FC - FRENCH CANADIAN

## ⚠ DANGER

Le non-respect des instructions relatives aux DANGERS, aux AVERTISSEMENTS et aux PRÉCAUTIONS contenues dans ce Guide du propriétaire peut être à l'origine de blessures graves, voire mortelles, et/ou d'un incendie ou d'une explosion susceptible de provoquer des dommages matériels.

### AVERTISSEMENTS :

- ⚠ Ne portez pas de vêtements à manches amples lorsque vous allumez ou utilisez le barbecue.
- ⚠ Jeter les bouteilles de combustibles usées et vides dans un endroit sûr.
- ⚠ Ne pas percer ou brûler les bouteilles de carburant.
- ⚠ N'utilisez pas ce barbecue si toutes les pièces ne sont pas en place. Le barbecue doit être correctement assemblé selon les Instructions d'assemblage.
- ⚠ Ne laissez pas d'enfants utiliser votre barbecue à gaz WEBER. Les composants accessibles du barbecue risquent d'être extrêmement chauds. Gardez les enfants et les animaux éloignés du barbecue pendant son utilisation.
- ⚠ Ce barbecue à gaz WEBER n'est pas destiné à une utilisation commerciale.
- ⚠ Ce barbecue WEBER n'est pas conçu pour être utilisé comme radiateur et ne doit jamais être utilisé comme tel.
- ⚠ Faites preuve de prudence lorsque vous utilisez votre barbecue à gaz WEBER. Il est peut être chaud pendant la cuisson et le nettoyage, et ne doit pas être laissé sans surveillance ni déplacé pendant son utilisation.
- ⚠ N'utilisez ni briquettes, ni pierres de lave dans votre barbecue à gaz WEBER.
- ⚠ Lors de l'allumage du barbecue ou de la cuisson, ne vous penchez jamais au-dessus du barbecue ouverte.
- ⚠ Ne placez jamais les mains ou les doigts sur le bord avant de la cuve de cuisson lorsque le barbecue est chaud ou le couvercle est ouvert.
- ⚠ Ne tentez jamais, pour quelque raison que ce soit, de débrancher le détendeur, ni un raccord de gaz quelconque pendant l'utilisation du barbecue.
- ⚠ Utilisez des maniques ou des gants pour barbecue résistants à la chaleur lorsque vous utilisez le grill.

- ⚠ Si le brûleur s'éteint alors que le barbecue est en marche, fermez la soupape de gaz. Ouvrez le couvercle et attendez cinq minutes avant de tenter d'allumer le barbecue à nouveau en utilisant les instructions d'allumage.
  - ⚠ Ne pas utiliser dans n'importe quel véhicule ou dans une zone de stockage ou de chargement d'un véhicule, y compris les automobiles, les camions, les familiales, les mini-fourgonnettes, les véhicules utilitaires sport (VUS) ou les véhicules récréatifs (VR).
  - ⚠ Ne placez pas la grille du barbecue sur une surface de verre ou combustible.
  - ⚠ Ne montez pas ce type de barbecue dans une structure intégrée ou à emboîtement. Ignorer cet AVERTISSEMENT pourrait provoquer un incendie ou une explosion pouvant endommager des biens et causer des blessures graves ou la mort.
  - ⚠ Ne stockez jamais une bouteille de gaz de rechange ou débranchée sous ou à proximité de ce barbecue.
  - ⚠ Après une période de stockage et/ou de non-utilisation, le barbecue à gaz WEBER doit être vérifié pour des fuites de gaz et des obstructions du brûleur avant de l'utiliser. Voir les instructions dans le Guide du propriétaire pour les procédures correctes.
  - ⚠ Ne faites pas fonctionner votre barbecue à gaz WEBER s'il y a une fuite de gaz.
  - ⚠ Ne recherchez pas les fuites de gaz à l'aide d'une flamme.
  - ⚠ Ne mettez pas une housse de barbecue ni aucune matière inflammable sur le barbecue alors que le barbecue est en marche ou qu'il est chaud.
  - ⚠ Le propane n'est pas du gaz naturel. Toute tentative de conversion/d'utilisation de gaz naturel avec un appareil fonctionnant au butane ou au propane est une opération dangereuse entraînant l'annulation de votre garantie.
  - ⚠ Gardez les fils d'alimentation électrique et le tuyau d'alimentation en gaz éloignés des surfaces chaudes.
  - ⚠ N'agrandissez pas les orifices de robinet ou les ports du brûleur lors du nettoyage du robinet ou du brûleur.
  - ⚠ Le barbecue à gaz WEBER doit être soigneusement nettoyé sur une base régulière.
  - ⚠ Si vous voyez, sentez ou entendez le sifflement du gaz qui s'échappe de la bouteille de propane liquide :
    1. Éloignez-vous de la bouteille de propane liquide.
    2. N'essayez pas de résoudre le problème vous-même.
    3. Appelez les pompiers.
  - ⚠ Si un feu de graisse se produit, éteignez le brûleur et laissez le couvercle fermé jusqu'à ce que le feu soit éteint.
  - ⚠ La consommation d'alcool, de médicaments sur ordonnance, de médicaments sans ordonnance ou de drogues illicites peut nuire à la capacité du consommateur à assembler, déplacer, stocker ou faire fonctionner l'appareil correctement et en toute sécurité.
  - ⚠ Maintenez en permanence le barbecue sur une surface stable et de niveau.
- PROPOSITION 65 - CALIFORNIE :**
- ⚠ **AVERTISSEMENT :** les produits dérivés de la combustion formés lors de l'utilisation de ce produit contiennent des produits chimiques connus dans l'État de la Californie pour causer un cancer, des malformations congénitales ou d'autres troubles de la reproduction.
  - ⚠ **PROPOSITION 65 AVERTISSEMENT :** la manipulation du laiton entrant dans la composition de ce produit vous expose au plomb, un produit chimique connu dans l'État de la Californie pour causer un cancer, des malformations congénitales ou d'autres troubles de la reproduction. *Se laver les mains après la manipulation de ce produit.*

# GARANTIE

Merci d'avoir acheté un produit WEBER. Weber-Stephen Products LLC, 1415 S. Roselle Road, Palatine, Illinois 60067 ("WEBER") sont fiers d'offrir un produit sécuritaire, durable et fiable.

Celle-ci est la garantie volontaire de WEBER qui vous est fournie sans frais supplémentaires. Elle contient les informations que vous aurez besoin d'avoir pour faire réparer le produit WEBER dans le cas improbable d'une panne ou de défaillance.

**Conformément aux lois applicables, le client dispose de plusieurs droits au cas où le produit serait défectueux. Ces droits comprennent le rendement supplémentaire ou le remplacement, la réduction du prix d'achat et une rémunération. Dans l'Union européenne, par exemple, ce serait une garantie légale de deux ans à compter de la date de la remise du produit. Ces droits légaux et d'autres ne sont pas affectés par cette disposition de la garantie. En fait, cette garantie accorde des droits supplémentaires au propriétaire qui sont indépendants des dispositions légales de la garantie.**

## GARANTIE LÉGALE DE WEBER

WEBER fournit à l'acheteur original du produit WEBER (ou dans le cas d'un cadeau ou d'une situation promotionnel, la personne pour laquelle il a été acheté comme cadeau ou article promotionnel), que le produit WEBER est exempt de défauts de matériaux et de fabrication pour la ou les périodes de temps spécifiées ci-dessous lorsqu'il est assemblé et utilisé conformément au Guide du propriétaire qui l'accompagne. (Remarque : Si vous perdez ou égarez votre Guide du propriétaire WEBER, un remplacement est disponible en ligne à [www.weber.com](http://www.weber.com) ou le site spécifique au pays auquel le propriétaire peut être redirigé.) Lorsque l'appareil est utilisé et entretenu de façon normale dans une maison privée unifamiliale ou un appartement, WEBER s'engage à réparer ou remplacer les pièces défectueuses dans les délais, limitations et exclusions applicables énumérées ci-dessous. SELON CE QUI EST PERMIS PAR LA LOI APPLICABLE, CETTE GARANTIE S'APPLIQUE UNIQUEMENT À L'ACHETEUR ORIGINAL ET N'EST PAS TRANSFÉRABLE À DES PROPRIÉTAIRES ULTÉRIEURS, SAUF DANS LE CAS DE CADEAUX ET D'ARTICLES PROMOTIONNELS COMME INDIQUÉ PLUS HAUT.

## RESPONSABILITÉS DU PROPRIÉTAIRE EN VERTU DE CETTE GARANTIE

Pour assurer une couverture de garantie sans problème, il est important (mais il n'est pas nécessaire) que vous enregistrez votre produit WEBER en ligne à [www.weber.com](http://www.weber.com) ou au site spécifique au pays auquel le propriétaire peut être redirigé. S'il vous plaît, conservez également votre bon d'achat et/ou la facture original. L'enregistrement de votre produit WEBER confirme la couverture de votre garantie et fournit un lien direct entre vous et WEBER au cas où nous devrions vous contacter.

La garantie ci-dessus ne s'applique que si le propriétaire prend soin du produit WEBER en suivant les instructions d'assemblage, d'utilisation et d'entretien préventif, comme indiqué dans le Guide du propriétaire qui l'accompagne, à moins que le propriétaire puisse prouver que le défaut ou la défaillance est indépendante du non-respect des obligations mentionnées ci-dessus. Si vous habitez dans une zone côtière, où que votre produit est situé près d'une piscine, l'entretien régulier comprend le lavage et le rinçage des surfaces extérieures comme indiqué dans le Guide du propriétaire l'accompagnant.

## MANIPULATION SOUS GARANTIE / EXCLUSION DE GARANTIE

Si vous croyez que vous avez une pièce qui est couverte par cette garantie, s'il vous plaît contacter le Service à la clientèle de WEBER en utilisant les informations de contact sur notre site web ([www.weber.com](http://www.weber.com)) ou sur le site spécifique au pays auquel le propriétaire peut être redirigé. WEBER, après enquête, réparera ou remplacera (à sa discrétion) la pièce défectueuse couverte par cette garantie. Dans le cas où la réparation ou le remplacement ne sont pas possibles, WEBER peut choisir (à sa discrétion) de remplacer le barbecue en question par un nouveau barbecue de valeur égale ou supérieure. WEBER peut vous demander de retourner les pièces pour l'inspection, frais d'expédition payés d'avance.

Cette GARANTIE devient caduque si il y a des dommages, détériorations, décolorations, et/ou de la rouille pour laquelle WEBER n'est pas responsable causée par :

- L'abus, le mauvais usage, la modification, la mauvaise application, le vandalisme, la négligence, le montage ou l'installation incorrecte, et la négligence d'effectuer correctement l'entretien normal/troulinier;
- Les insectes (comme les araignées) et les rongeurs (comme les écureuils), y compris mais non limité aux dommages causés aux tubes du brûleur et/ou aux canalisations de gaz ;
- L'exposition à l'air salin et/ou aux sources de chlore telles que les piscines et les cuves thermales/Spas ;
- Conditions météorologiques extrêmes comme la grêle, les ouragans, les tremblements de terre, les tsunamis ou les marées de tempête, les tornades et les tempêtes sévères.

L'utilisation et/ou l'installation de pièces sur votre produit WEBER qui ne sont pas des pièces d'origine WEBER annulera cette garantie, et les dommages qui en résultent ne sont pas couverts par cette garantie. Toute conversion d'un barbecue à gaz qui n'est ni autorisée par WEBER et ni effectuée par un technicien agréé WEBER annulera cette garantie.

## PÉRIODES DE GARANTIE DU PRODUIT

Cuve de cuisson :  
10 ans, pas de perçage par la rouille ou par brûlage

Assemblage du couvercle :  
10 ans, pas de perçage par la rouille ou par brûlage

Composants en plastique :  
5 ans, excluant la dégradation ou la décoloration

Toutes les autres pièces :  
2 ans

## EXCLUSIONS

EN DEHORS DE LA GARANTIE ET DES EXCLUSIONS COMME DÉCRIT DANS CETTE DÉCLARATION DE GARANTIE, IL N'Y A AUCUNE AUTRE GARANTIE EXPLICITE OU DÉCLARATION VOLONTAIRE DE RESPONSABILITÉ DONNÉE ICI QUI DÉPASSE LA RESPONSABILITÉ LÉGALE APPLICABLE À WEBER. AUSSI, CETTE DÉCLARATION DE GARANTIE NE LIMITE PAS OU N'EXCLUE PAS LES SITUATIONS OU RÉCLAMATIONS POUR LESQUELLES WEBER A UN RESPONSABILITÉ IMPÉRATIVE PRESCRITE PAR LA LOI.

AUCUNE GARANTIE NE S'APPLIQUE APRÈS LES PÉRIODES APPLICABLES DE LA PRÉSENTE GARANTIE. AUCUNES AUTRES GARANTIES ACCORDÉES PAR TOUTES PERSONNES OU ENTITÉS, Y COMPRIS UN CONCESSIONNAIRE OU DÉTAILLANT CONCERNANT LES PRODUITS (COMME TOUTES « GARANTIES PROLONGÉES »), NE LIENT WEBER. LE SEUL RECOURS DE CETTE GARANTIE EST LA RÉPARATION OU LE REMPLACEMENT DE LA PIÈCE OU DU PRODUIT.

EN AUCUN CAS LA RECOUVREMENT DE QUELQUE NATURE QUE CE SOIT NE SERA PLUS GRAND QUE LE MONTANT DU PRIX D'ACHAT DU PRODUIT QUE WEBER VOUS A VENDU.

VOUS ASSUMEZ LES RISQUES ET RESPONSABILITÉS POUR LA PERTE, LES DOMMAGES OU LES BLESSURES À VOUS ET VOTRE PROPRIÉTÉ ET/OU AUX AUTRES ET À LEURS BIENS DU FAIT DE L'UTILISATION INCORRECTE OU ABUSIF DU PRODUIT OU LA NÉGLIGENCE DE SUIVRE LES INSTRUCTIONS FOURNIES PAR WEBER DANS LE GUIDE DU PROPRIÉTAIRE L'ACCOMPAGNANT.

LES PIÈCES ET ACCESSOIRES REMPLACÉS SOUS CETTE GARANTIE SONT GARANTIS POUR LA BALANCE DE LA OU DES PÉRIODES DE GARANTIES INITIALES.

CETTE GARANTIE S'APPLIQUE À L'UTILISATION DANS UNE MAISON PRIVÉE OU EN APPARTEMENT SEULEMENT ET NE COUVRE PAS LES BARBECUES WEBER DANS LES ÉTABLISSEMENTS COMMERCIAUX, COMMUNAUTAIRES OU EMBLEMENTS MULTIPLES TELS QUE LES RESTAURANTS, LES HÔTELS, CLUBS OU IMMEUBLES LOCATIFS.

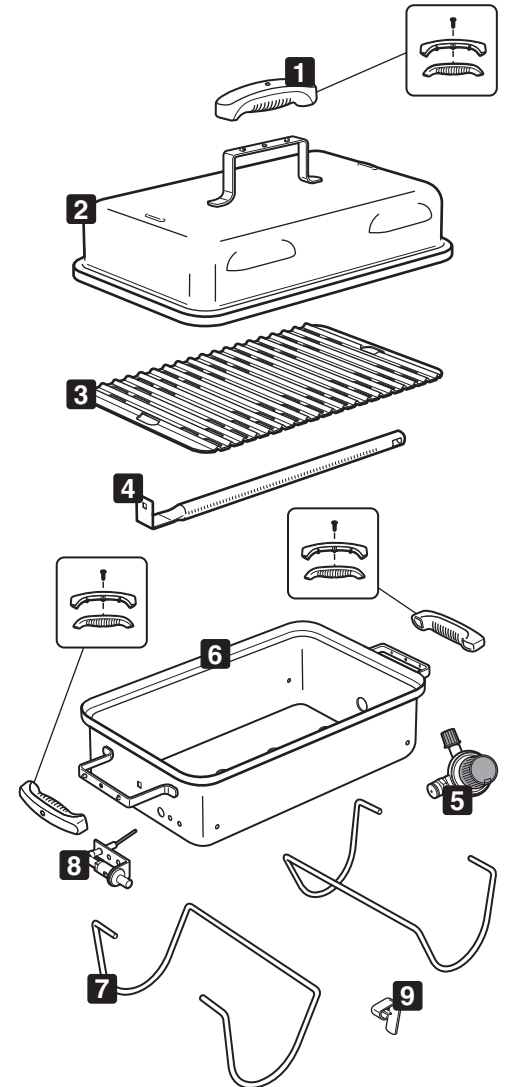
WEBER PEUT DE TEMPS EN TEMPS MODIFIER LA CONCEPTION DE SES PRODUITS. RIEN DANS CE GARANTIE NE SERA INTERPRÉTÉ COMME UNE OBLIGATION POUR WEBER D'INTÉGRER LES MODIFICATIONS DE CONCEPTIONS AUX PRODUITS FABRIQUÉS ANTÉRIEUREMENT, ET AUCUNE DE CES MODIFICATIONS NE SERA CONSIDÉRÉE COMME UNE ADMISSION QUE LES CONCEPTIONS PRÉCÉDENTES ÉTAIENT DÉFECTUEUSES.

Webster-Stephen PRODUCTS LLC  
Centre de service clientèle  
1415 S. Roselle Road  
Palatine, Illinois 60067  
U.S.A.

Pour des pièces de rechange, appelez le :  
1-800-446-1071

# VUE ÉCLATÉE

Gas\_Go-Anywhere\_XV\_US\_041216



1. Ensemble de poignée
2. Couvercle
3. Grille de cuisson
4. Tube de brûleur
5. Assemblée du détendeur
6. Cuve de cuisson
7. Patte
8. Ensemble d'électrode d'allumage
9. Clip de patte

## QU'EST-CE QUE LE GPL?

Gaz de pétrole liquéfié, également appelé GPL, propane liquide, ou tout simplement propane, est le produit inflammable, à base de pétrole utilisé pour alimenter votre barbecue. Il est sous forme de gaz à température et pression modérées quand il n'est pas contenu. Mais, à moyenne pression à l'intérieur d'un contenant, tel qu'une bouteille, le GPL est un liquide. Lorsque la pression diminue, le liquide se vaporise instantanément et se transforme en gaz propane.

- L'odeur du propane ressemble à celle du gaz naturel. Soyez attentifs à cette odeur.
- Le propane est plus dense que l'air. Une fuite de gaz propane risque de s'accumuler dans les zones basses et de ne pas se disperser.

### ⚠ DANGER

**NE JAMAIS stocker un réservoir de GPL de secours sous ou près d'appareils au gaz WEBER. Il faut respecter cette consigne à la lettre, faute de quoi il pourrait y avoir un départ de feu causant des blessures graves, voire mortelles.**

## CONSEILS DE MANIPULATION SANS DANGER DES RÉSERVOIRS DE GAZ GPL

Vous devez garder à l'esprit certaines consignes de sécurité lors de l'utilisation de gaz GPL. Suivez scrupuleusement ces instructions avant d'utiliser votre barbecue au gaz WEBER.

- N'utilisez pas de réservoir de GPL endommagé, cabossé ou rouillé.
- Manipulez les réservoirs de GPL « vides » avec le même soin que vous le feriez pour des réservoirs pleins. Même quand un réservoir de GPL est vide, il peut toujours rester du gaz sous pression dans le réservoir.
- Les réservoirs de GPL ne doivent pas être manipulés brusquement ni tomber par terre.
- Ne stockez ou ne transportez jamais le réservoir de GPL à des endroits où les températures peuvent atteindre 51,7 °C (125 °F) (le réservoir deviendra trop chaud pour être saisi à la main). Exemple : Ne laissez pas le réservoir de GPL dans une voiture un jour où il fait chaud.
- Les réservoirs de GPL doivent rester hors de portée des enfants.
- Ne branchez pas votre barbecue sur une arrivée de gaz naturel (gaz de ville). La valve et l'orifice sont exclusivement conçus pour du gaz de pétrole liquéfié.
- Le réservoir de GPL utilisé doit être fabriqué et marqué conformément aux spécifications relatives aux réservoirs de GPL, aux directives du ministère des Transports (DOT) des États-Unis ou à la Norme sur les bouteilles et tubes utilisés pour le transport des marchandises dangereuses, CAN/CSA-B339.
- Le système d'arrivée de gaz du réservoir utilisé avec ce produit doit être configuré pour assurer l'extraction des fumées.

## STOCKAGE ET/OU INUTILISATION

Il est important de suivre les consignes suivantes pour les barbecues qui ont été stockés ou laissés inutilisés pendant un certain temps :

- Débranchez le réservoir si : 1) il est vide; 2) le barbecue est stocké dans un garage ou un autre endroit fermé; 3) le barbecue est transporté; 4) le barbecue n'est pas utilisé.
- Placez le capuchon antipoussière sur le robinet du cylindre lorsque le réservoir n'est pas utilisé.
- Ne stockez pas de réservoir de GPL déconnecté dans un bâtiment, un garage ou toute autre zone fermée.
- L'étanchéité du barbecue au gaz WEBER et la présence d'obstructions dans le brûleur doivent être vérifiées avant utilisation. (Reportez-vous à « SE PRÉPARER À UTILISER VOTRE BARBECUE » et « MAINTENANCE ANNUELLE ».)
- Assurez-vous que les zones sous la cuve de cuisson ne sont pas encombrées, ce qui risquerait de ralentir la circulation de l'air de combustion ou de ventilation.

## CODES D'INSTALLATION AUX ÉTATS-UNIS

L'installation doit se conformer aux codes locaux ou, en l'absence des codes locaux, à la toute dernière édition du National Fuel Gas Code, ANSI Z223.1/NFPA 54.

## CODES D'INSTALLATION AU CANADA

Ces instructions, même si elles sont généralement acceptables, ne sont pas nécessairement conformes aux codes d'installation canadiens, en particulier pour les tuyaux au-dessus du sol et enfouis. Au Canada, l'installation de cet appareil doit être conforme aux codes locaux et/ou à la toute dernière édition de la norme CAN/CGA-B149.2 (Code sur le stockage et la manipulation du GPL).

*REMARQUE : Votre revendeur peut vous conseiller sur un réservoir de rechange adapté à votre barbecue.*

## RACCORDS DU DÉTENDEUR

Votre barbecue au gaz WEBER est équipé d'un détendeur, un appareil permettant de réguler et maintenir une pression de gaz constante à mesure que le gaz sort du réservoir de GPL. Chaque détendeur WEBER est conçu pour l'extraction des fumées.

- Le détendeur fourni avec le barbecue au gaz WEBER doit être utilisé. Ce détendeur est réglé à 11 pouces de pression de colonne d'eau.
- Le GPL est contrôlé par deux boutons. Le petit bouton permet d'ouvrir et de fermer l'arrivée de gaz. Le gros bouton de réglage régule le débit de gaz (feu bas à feu fort).

## COMBUSTIBLE POUR LE BARBECUE

Avant d'utiliser votre barbecue pour la première fois, vous devez acheter un réservoir de GPL. Vous pourrez choisir d'acheter un réservoir de secours pour ne pas risquer de vous trouver à court en pleine cuisson d'un repas.

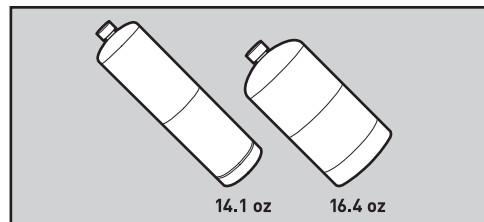
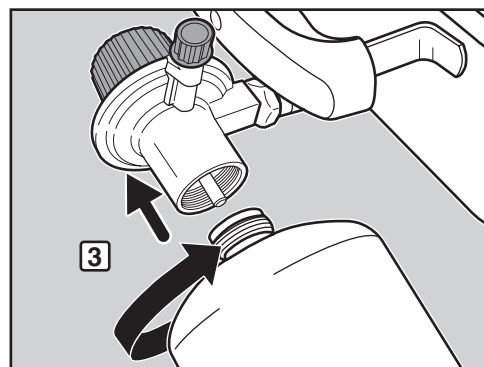
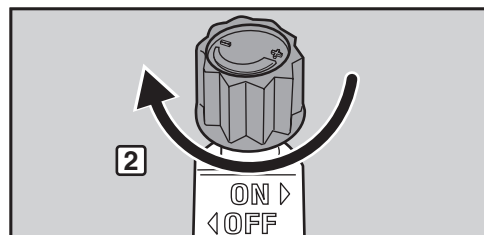
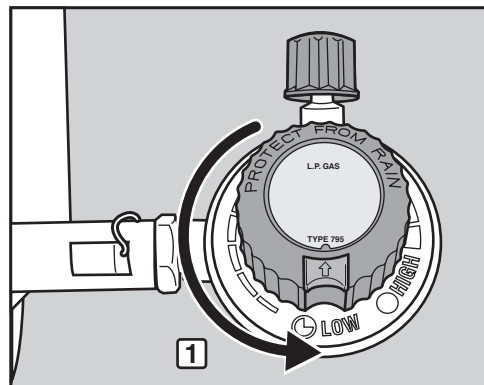
## INSTALLATION DU RÉSERVOIR DE GPL

Utilisez des réservoirs de GPL jetables d'une capacité de 14,1 ou 16,4 onces équipés d'un raccord CGA #600.

**⚠ ATTENTION : Utiliser seulement des réservoirs marqués « GPL ».**

- Veillez à tourner le gros bouton de réglage dans le sens inverse des aiguilles d'une montre jusqu'à ce que l'onglet rouge se bloque en position BAS (LOW) (1).
- Assurez-vous que le robinet de gaz est FERMÉ (OFF) en tournant le petit bouton dans le sens des aiguilles d'une montre jusqu'à fermeture complète (2).
- Poussez le réservoir jetable dans le détendeur et tournez dans le sens des aiguilles d'une montre jusqu'à ce que le raccord soit bien serré (3).

**⚠ AVERTISSEMENT : Ne pas utiliser de clé pour serrer le raccord. L'utilisation d'une clé risque d'endommager le raccord du détendeur et de causer une fuite.**





# SE PRÉPARER À UTILISER VOTRE BARBECUE

## QU'EST-CE QU'UNE VÉRIFICATION D'ÉTANCHÉITÉ?

Le système de carburant dans votre barbecue caractérise les connexions et les raccords. Une vérification de fuite est un moyen fiable pour s'assurer qu'aucun gaz ne s'échappe de l'une des connexions ou des raccords.

Bien que toutes les connexions fabriquées en usine ont été soigneusement vérifiées pour les fuites de gaz, il est important d'effectuer une vérification de fuite avant d'utiliser votre barbecue pour la première fois, ainsi que chaque fois que vous débranchez et rebranchez un raccord et chaque fois que vous effectuez la maintenance de routine.

### ⚠ DANGER

N'utilisez pas une flamme nue pour vérifier s'il y a des fuites de gaz. Vérifiez qu'aucune étincelle ou flamme ne peut se produire à proximité de la zone pendant la procédure de vérification de l'étanchéité. Les étincelles et les flammes provoqueraient un incendie ou une explosion, ce qui risquerait d'être à l'origine de blessures graves, voire mortelles, ainsi que de dommages matériels.

⚠ **AVERTISSEMENT** : les connexions de gaz du barbecue à gaz ont été testées en usine. On recommande cependant de vérifier l'étanchéité de tous les connexions de gaz avant d'utiliser le barbecue à gaz.

⚠ **AVERTISSEMENT** : effectuez ces vérifications d'étanchéité même si votre barbecue a été assemblé par le revendeur ou en magasin.

⚠ **AVERTISSEMENT** : il est recommandé de vérifier l'étanchéité à chaque déconnexion et reconnexion de raccord de gaz.

*REMARQUE* : toutes les connexions fabriquées en usine ont été soigneusement vérifiées contre les fuites de gaz et le brûleur a été testé contre les flammes. Par mesure de sécurité, cependant, vous devriez vérifier toutes les étanchéités des raccords avant d'utiliser votre barbecue à gaz WEBER. L'expédition et la manutention peuvent desserrer ou endommager un raccord de gaz.

## VÉRIFICATION DES FUITES DE GAZ

Confirmez que le barbecue est éteint

A) Confirmez que la bouteille est bien installée. Reportez-vous à « POSE DE LA BOUTEILLE DE GPL. »

Accessoires nécessaires : un flacon pulvérisateur ou une brosse ou un chiffon et une solution d'eau savonneuse. (Vous pouvez créer votre propre solution d'eau savonneuse en mélangeant 20% de savon liquide avec 80% d'eau; ou vous pouvez acheter une solution dans la section plomberie de n'importe quelle quincaillerie.)

B) Vérifiez que le bouton de contrôle du détendeur est désactivé en le poussant et en le tournant dans le sens horaire vers la position OFF.

⚠ **AVERTISSEMENT** : n'allumez pas les brûleurs pendant la vérification de l'étanchéité.

C) Pour vérifier s'il y a des fuites, mouiller les raccords avec la solution d'eau savonneuse, à l'aide d'un flacon pulvérisateur, une brosse ou un chiffon. Si des bulles se forment ou si une bulle grossit, il y a une fuite. Appliquez la solution d'eau savonneuse pour les connexions suivantes :

a) Connexion détendeur-à-cylindre (1).

⚠ **AVERTISSEMENT** : en cas de fuite au niveau de la connexion (1), retirez la bouteille. N'UTILISEZ PAS LE BARBECUE. Utilisez une autre bouteille et revérifiez l'étanchéité à l'aide de la solution savonneuse. Si la fuite persiste après avoir changé la bouteille, fermez le gaz. N'UTILISEZ PAS LE BARBECUE. Contactez le service client du représentant WEBER de votre zone. Vous trouverez ses coordonnées sur notre site web. Connectez-vous sur [www.weber.com](http://www.weber.com).

b) Orifice à détendeur approprié (2).

⚠ **AVERTISSEMENT** : en cas de fuite au niveau de la connexion (2), fermez le robinet de gaz. N'UTILISEZ PAS LE BARBECUE. Contactez le service client du représentant WEBER de votre zone. Vous trouverez ses coordonnées sur notre site web.

Connectez-vous sur [www.weber.com](http://www.weber.com).

D) Après avoir vérifié l'absence de fuite, fermez le robinet de gaz à la source et rincez les connexions à l'eau.

*REMARQUE* : puisque certaines solutions de test d'étanchéité, incluant l'eau savonneuse, peuvent s'avérer légèrement corrosives, rincez bien toutes les connexions à l'eau au terme de la vérification d'étanchéité.

⚠ **AVERTISSEMENT** : veuillez à ce que toutes les pièces soient montées et que la visserie est bien serrée avant d'utiliser le barbecue. Le non-respect du présent avertissement peut être à l'origine d'un incendie, d'une explosion ou d'une défaillance structurelle susceptibles de provoquer des blessures graves voire mortelles, ainsi que des dommages matériels.

Vous êtes maintenant prêt à utiliser votre barbecue.

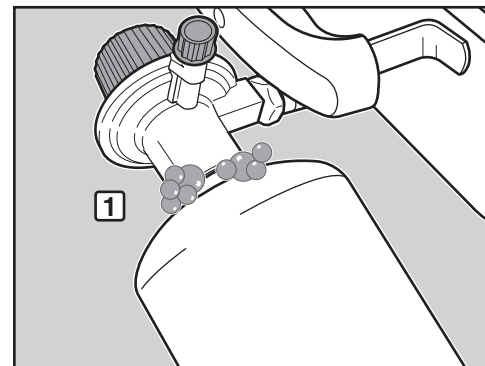
## DÉPOSE DE LA BOUTEILLE DE GPL

Lorsque votre bouteille de GPL doit être remplacée, suivez ces instructions pour la déposer.

A) Vérifiez que le bouton de contrôle du détendeur est désactivé en le poussant et en le tournant dans le sens

horaire vers la position OFF.

B) Dévissez la bouteille jetable du détendeur en tournant la bouteille dans le sens antihoraire.



# CONTRÔLES DE SÉCURITÉ AVANT D'UTILISER VOTRE BARBECUE

## INFORMATIONS DE SÉCURITÉ

C'est une bonne idée de prendre l'habitude d'effectuer quelques vérifications de sécurité avant de griller.

**La sécurité doit être considérée lorsque vous décidez où placer et faire fonctionner votre barbecue. Assurez-vous de lire les avertissements suivants avant d'installer ou d'utiliser votre barbecue.**

### AVERTISSEMENTS :

- ⚠ Utilisez ce barbecue à l'extérieur uniquement, dans une zone bien aérée. Ne l'utilisez pas dans un garage, un bâtiment, un passage recouvert ou tout autre enclos.
- ⚠ Votre barbecue à gaz WEBER ne doit pas être utilisé sous un abri combustible quelconque.
- ⚠ Votre barbecue à gaz WEBER n'est pas conçu pour être installé dans un véhicule récréatif et/ou sur un bateau.
- ⚠ Maintenez la zone de cuisson libre de liquides et de vapeurs inflammables (essence, alcool, etc.) ainsi que tout matériau combustible.
- ⚠ L'intégralité de la cuve de cuisson devient chaude pendant son utilisation. Ne la touchez pas.
- ⚠ Ne déplacez pas votre barbecue à gaz WEBER en cours d'utilisation ou pendant que le barbecue est chaud.
- ⚠ Lors de la cuisson, l'appareil doit se trouver sur une surface plane et stable, dans une zone exempte de matériaux combustibles. Une surface d'asphalte (bitume) ne peut pas être acceptable à cette fin.
- ⚠ Ne placez pas la grille du barbecue sur une surface de vitre ou combustible; La chaleur peut être transmise à travers les jambes des barbecues portables.

## GARDEZ LA CUVE DE CUISSON PROPRE

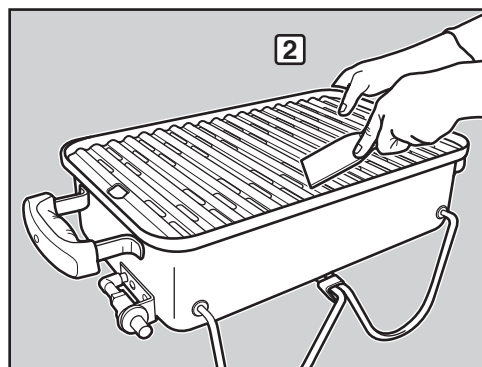
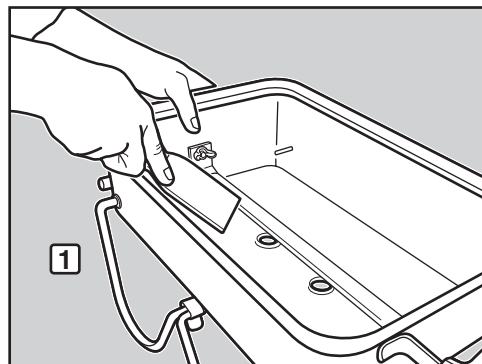
Il est important de nettoyer le fond de la cuve de cuisson avant d'allumer votre barbecue. Éliminez l'excès de graisse à l'aide d'une spatule en plastique (1). Essuyez la graisse restante avec du papier absorbant. Vous pouvez également nettoyer la cuve de cuisson à l'aide d'un chiffon avec de l'eau chaude savonneuse et rincer à l'eau.

## GARDEZ LA GRILLE DE CUISSON PROPRE

Il est important de nettoyer la grille de cuisson avant d'allumer votre barbecue. Éliminez l'excès de graisse à l'aide d'une spatule en plastique (2). Essuyez la graisse restante avec du papier absorbant. Vous pouvez également nettoyer la grille de cuisson à l'aide d'un chiffon avec de l'eau chaude savonneuse et rincer à l'eau.

*Remarque : Assurez-vous que la grille de cuisson est installée avec le côté de grillade vers le haut. Reportez-vous à « MONTAGE ».*

- ⚠ **AVERTISSEMENT :** vérifiez le fond de la cuve de cuisson pour l'accumulation de graisse avant chaque utilisation. Éliminez l'excès de graisse afin d'éviter qu'elle ne prenne feu. Un feu de friture peut entraîner des blessures graves ou provoquer des dommages matériels.
- ⚠ **ATTENTION :** ne recouvrez pas le fond de la cuve de cuisson de papier aluminium.



⚠ **ATTENTION :** Ce produit a fait l'objet de tests de sécurité et est certifié pour une utilisation dans un pays particulier uniquement. Vérifiez la désignation de pays située sur le carton d'emballage.

Ces pièces peuvent contenir du gaz ou être des éléments dont la combustion produit du gaz. Veuillez consulter le Service clientèle de Weber-Stephen Products LLC pour des renseignements sur les pièces de rechange originales de Weber-Stephen Products LLC.

⚠ **MISE EN GARDE :** Ne tentez pas d'effectuer des réparations sur des éléments contenant du gaz ou sur des éléments dont la combustion produit du gaz sans contacter le service clientèle de Weber-Stephen Products LLC. Si vous ne suivez pas la présente Mise en garde relative au produit, vos actions risquent de provoquer un incendie ou une explosion entraînant des blessures physiques graves voire un décès ainsi que des dégâts matériels.



# ALLUMAGE ET UTILISATION DU BRÛLEUR

## MÉTHODES D'ALLUMAGE DE BRÛLEUR

Il y a deux façons pour allumer le brûleur. La première est d'utiliser le système d'allumage intégré dans votre barbecue. Le second est avec une allumette.

Ensuite, les étapes pour allumer le barbecue à l'aide du système d'allumage. Sur la page suivante sont des étapes pour allumer votre barbecue avec une allumette.

## ALLUMAGE DU BRÛLEUR

A) Enlevez le couvercle (1).

### ⚠ DANGER

**Enlevez le couvercle avant d'allumer le brûleur du barbecue et attendez 5 minutes pour que le gaz se dissipe si le barbecue ne s'allume pas, sous peine de flambée explosive pouvant causer des blessures graves, voire mortelles.**

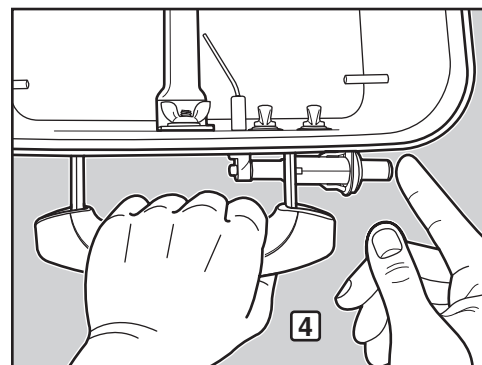
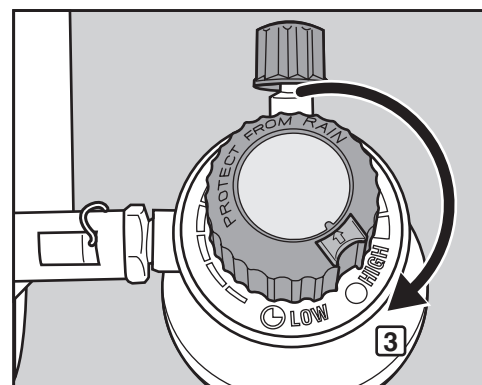
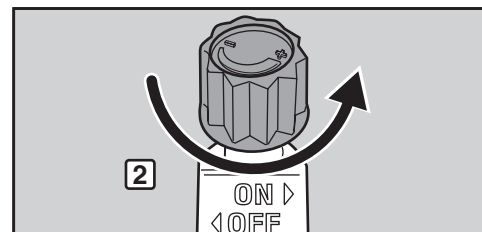
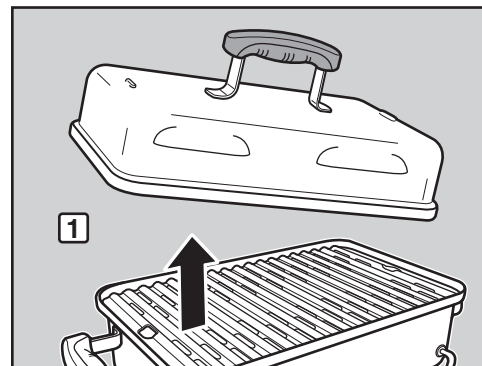
- B) Veillez à tourner le gros bouton de réglage dans le sens inverse des aiguilles d'une montre jusqu'à ce que l'onglet rouge se bloque en position LOW (BAS).
- C) Assurez-vous que le robinet de gaz est fermé (OFF) en tournant le petit bouton dans le sens des aiguilles d'une montre jusqu'à fermeture complète.
- D) Confirmez l'installation correcte du réservoir de GPL.
- E) Ouvrez au maximum l'arrivée de gaz en tournant le petit bouton dans le sens inverse des aiguilles d'une montre (2).
- F) Appuyez sur l'onglet rouge du gros bouton de réglage et tournez dans le sens horaire jusqu'à FORT (HIGH) (3).
- G) Tenez la poignée de la cuve de cuisson. Appuyez plusieurs fois sur le bouton de l'allumeur pour qu'il cliquette à chaque fois (4).
- H) Assurez-vous que le brûleur est allumé en regardant à travers la grille de cuisson. Vous devriez voir une flamme.

⚠ **AVERTISSEMENT : Ne jamais se pencher sur le barbecue ouvert en cours d'allumage.**

⚠ **AVERTISSEMENT : Si le brûleur ne s'allume pas en 5 secondes, arrêter, FERMER (OFF) complètement l'arrivée de gaz en tournant le petit bouton dans le sens des aiguilles d'une montre, puis tourner le gros bouton de réglage dans le sens inverse des aiguilles d'une montre jusqu'à ce que l'onglet rouge se bloque en position BAS (LOW). Attendre 5 minutes pour la dissipation du gaz avant de réessayer ou allumer à l'aide d'une allumette.**

## POUR ÉTEINDRE LE BRÛLEUR

FERMEZ (OFF) complètement l'arrivée de gaz en tournant le petit bouton dans le sens des aiguilles d'une montre, puis tournez le gros bouton de réglage dans le sens inverse des aiguilles d'une montre jusqu'à ce que l'onglet rouge se bloque en position BAS (LOW).



# ALLUMAGE ET UTILISATION DU BRÛLEUR

## ALLUMAGE DU BRÛLEUR

### Allumage à l'aide d'une allumette

A) Enlevez le couvercle (1).

**⚠ DANGER**

**Enlevez le couvercle avant d'allumer le brûleur du barbecue et attendez 5 minutes pour que le gaz se dissipe si le barbecue ne s'allume pas, sous peine de flambée explosive pouvant causer des blessures graves, voire mortelles.**

*REMARQUE : Quand l'utilisateur se tient face au barbecue, l'ensemble valve/détendeur doit se trouver à droite.*

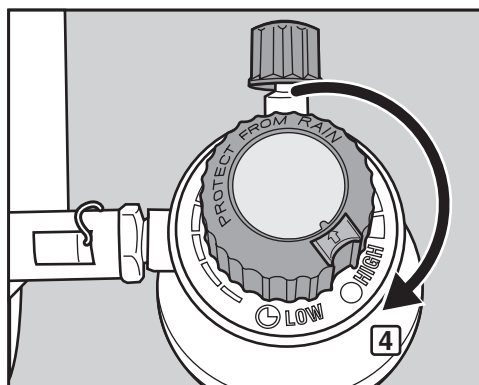
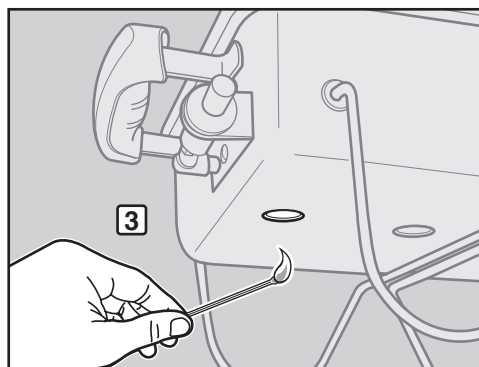
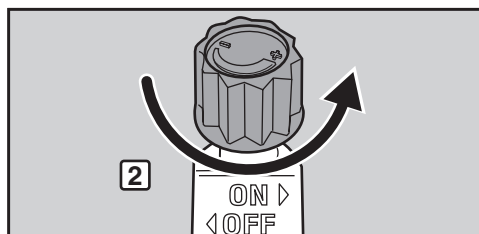
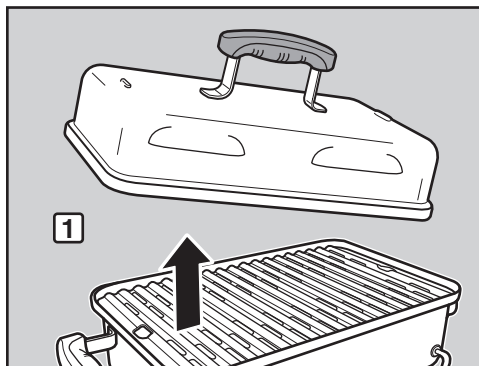
- B) Veillez à tourner le gros bouton de réglage dans le sens inverse des aiguilles d'une montre jusqu'à ce que l'onglet rouge se bloque en position LOW (BAS).
- C) Assurez-vous que le robinet de gaz est fermé (OFF) en tournant le petit bouton dans le sens des aiguilles d'une montre jusqu'à fermeture complète.
- D) Confirmez l'installation correcte du réservoir de GPL.
- E) OUVREZ (ON) l'arrivée de gaz en tournant le petit bouton dans le sens antihoraire jusqu'à ouverture complète (2).
- F) Grattez une longue allumette et insérez la flamme dans l'orifice de ventilation en bas à gauche du barbecue (3). Tout en tenant l'allumette allumée, appuyez sur l'onglet rouge du gros bouton de réglage et tournez dans le sens des aiguilles d'une montre jusqu'à FORT (HIGH) (4).
- G) Vérifiez l'allumage du brûleur en regardant à travers la grille. Vous devriez voir une flamme.

**⚠ AVERTISSEMENT : Ne jamais se pencher sur le barbecue ouvert en cours d'allumage. Tenir le visage et le corps à 30 cm (12 po) minimum de l'orifice de ventilation en bas à gauche lors de l'allumage du barbecue.**

**⚠ AVERTISSEMENT : Si le brûleur ne s'allume pas en 5 secondes, arrêter, FERMER (OFF) complètement l'arrivée de gaz en tournant le petit bouton dans le sens des aiguilles d'une montre, puis tourner le gros bouton de réglage dans le sens inverse des aiguilles d'une montre jusqu'à ce que l'onglet rouge se bloque en position BAS (LOW). Attendre 5 minutes pour la dissipation du gaz avant de réessayer ou allumer à l'aide d'une allumette.**

### POUR ÉTEINDRE LE BRÛLEUR

FERMEZ (OFF) complètement l'arrivée de gaz en tournant le petit bouton dans le sens des aiguilles d'une montre, puis tournez le gros bouton de réglage dans le sens inverse des aiguilles d'une montre jusqu'à ce que l'onglet rouge se bloque en position BAS (LOW).



## CONSEILS ET ASTUCES

- Préchauffez toujours le barbecue avant de cuire les aliments. Réglez le brûleur à feu vif et fermez le couvercle; préchauffez pendant 5 à 10 minutes.
- La température de votre barbecue à gaz risque d'être supérieure à la température normale lors des premières utilisations.
- Les temps de cuisson dans les recettes sont basés sur des températures extérieures de 21°C (70°F) et peu ou pas de vent. Par temps froid ou venteux ainsi qu'à altitudes élevées, prolongez le temps de cuisson. Réduisez le temps de cuisson par temps extrêmement chaud.
- Il est possible que les conditions de cuisson nécessitent l'ajustement des boutons de réglage gaz du brûleur pour l'obtention des bonnes températures de cuisson.
- En règle générale, les gros morceaux de viande nécessitent un temps de

cuisson par kg (livre) plus long que les petits morceaux de viande.

- Assurez-vous que la cuve de cuisson est propre et exempte de débris.
- En cas de poussées actives de flammes imprévisibles, éteignez tous les brûleurs et déplacez les aliments vers une autre zone de la grille de cuisson. Les flammes s'éteignent alors rapidement. Une fois les flammes éteintes, allumez à nouveau votre barbecue. **N'UTILISEZ JAMAIS D'EAU POUR ÉTEINDRE LES FLAMMES DANS UN BARBECUE A GAZ.**
- L'utilisation d'un minuteur aidera à vous alerter lorsque « bien cuit » passe à « trop cuit ».
- Une légère application d'huile vous permettra de faire dorer les aliments de façon régulière et d'éviter qu'ils ne collent à la grille de cuisson. Brossez ou pulvérisez toujours l'huile sur votre nourriture, pas directement sur la grille de cuisson.

## PRÉCHAUFFAGE

Il est important de préchauffer le barbecue avant de procéder au grillage. Pour préchauffer : allumez votre barbecue conformément aux instructions figurant dans le présent Guide d'utilisation, puis tournez le bouton de commande du détendeur à la position START/HIGH, fermez le couvercle et préchauffez le barbecue. Préchauffez le barbecue pendant 5 à 10 minutes, en fonction des conditions ambiantes, telles que la température de l'air et le vent. Après le préchauffage, vous pouvez régler le brûleur comme vous le souhaitez.

**⚠ AVERTISSEMENT : si le brûleur s'éteint alors que le barbecue est en marche, fermez la soupape de gaz. Ouvrez le couvercle et attendez cinq minutes avant de tenter d'allumer le barbecue à nouveau en utilisant les instructions d'allumage.**

## CUISSON A COUVERCLE FERMÉ

Tous les grillages sont réalisés avec le couvercle fermé de façon à assurer une chaleur tournante uniforme. Avec le couvercle fermé, le barbecue à gaz cuit les aliments de façon similaire à un four à convection. Les opérations de préchauffage et de cuisson sont réalisées avec le couvercle fermé. Et pas de coup d'œil! Chaque fois que vous soulevez le couvercle, vous perdez de la chaleur.

**Pour obtenir des astuces de cuisson supplémentaires ainsi que des recettes, rendez-vous sur le site [www.weber.com](http://www.weber.com).**

## DÉPANNAGE

PROBLÈMES	SOLUTIONS
<b>Le brûleur ne s'allume pas lorsque le bouton d'allumage est enfoncé.</b>	<p>Vérifiez que le gaz arrive aux brûleurs en essayant de les allumer avec une allumette. Reportez-vous à "ALLUMAGE DU BRÛLEUR—Allumage avec une allumette." Si vous parvenez à les allumer avec une allumette, le problème se situe au niveau du système d'allumage. Reportez-vous à « MAINTENIR LE SYSTÈME D'ALLUMAGE PAR BOUTON POUSSOIR ».</p> <p>Vérifiez que la pointe de l'électrode d'allumage est réglée à la bonne distance des trous dans le tube du brûleur. Reportez-vous à « MAINTENIR LE SYSTÈME D'ALLUMAGE PAR BOUTON POUSSOIR ».</p>
<b>Le brûleur ne s'allume pas ou la flamme est faible avec le réglage FORT (HIGH).</b>	<p>Le robinet de gaz n'est peut-être pas complètement ouvert. Consultez « ALLUMAGE DU BRÛLEUR ».</p> <p>La bouteille de gaz pourrait être vide ou presque. Remplacez la bouteille de GPL. Reportez-vous à « DÉPOSE DE LA BOUTEILLE DE GPL ».</p>
<p><b>La flamme du brûleur est irrégulière.</b></p> <p><b>La flamme est faible lorsque le bouton de commande du régulateur est en position HAUTE.</b></p> <p><b>Les flammes ne sont pas présentes sur toute la longueur du brûleur.</b></p>	<p>Nettoyez les ports du brûleur qui sont déployés sur toute la longueur du tube de brûleur. Reportez-vous à « ENTRETIEN ANNUEL ».</p>
<b>Le tube de brûleur possède une grande ouverture par le détendeur.</b>	<p>Le tube de brûleur est conçu avec un trou pour l'air et le mélange de gaz. Ce trou est appelé une ouverture du volet d'air. <b>CECI N'EST PAS UN DÉFAUT.</b> Enlevez tous débris de cette zone. Reportez-vous à « ENTRETIEN ANNUEL ».</p>
<p><b>Apparition de flammes imprévisibles.</b></p> <p><b>ATTENTION : ne recouvrez pas le fond de la cuve de cuisson de papier aluminium.</b></p>	<p>Le barbecue doit être préchauffé avec le brûleur à feu vif pendant 5 à 10 minutes.</p> <p>Nettoyez la grille de cuisson à fond pour enlever la graisse. Reportez-vous à « CONTRÔLES DE SÉCURITÉ AVANT D'UTILISER VOTRE BARBECUE ».</p> <p>La cuve de cuisson peut être sale. Nettoyez la cuve de cuisson. Reportez-vous à « CONTRÔLES DE SÉCURITÉ AVANT D'UTILISER VOTRE BARBECUE ».</p>
<b>L'intérieur du couvercle semble « peler » (La peinture apparaît comme écaillée.)</b>	<p>L'intérieur du couvercle est en émail vitrifié. Il n'est pas peint. Il ne peut donc pas « peler ». Ce que vous voyez est en réalité une accumulation de graisse cuite carbonisée qui s'effrite. <b>CECI N'EST PAS UN DÉFAUT.</b> Nettoyez-le soigneusement. Reportez-vous à « NETTOYER L'INTÉRIEUR DE LA GRILLE ».</p>

Si ces méthodes ne vous permettent pas de résoudre le problème, contactez le représentant du service client de votre zone en utilisant le contact sur notre site web. Connectez-vous sur [www.weber.com](http://www.weber.com).

## GARDER VOTRE BARBECUE À GAZ WEBER EN EXCELLENT CONDITION

### ⚠ DANGER

La négligence de rectifier les problèmes décrits dans cette page risque de causer un incendie, qui peut provoquer des blessures corporelles graves voire mortelles, ainsi que des dommages matériels.

Pour assurer que votre barbecue à gaz WEBER fonctionnera en toute sécurité et aussi efficacement que le premier jour, nous recommandons d'inspecter et nettoyer les tubes mélangeurs au moins une fois par année. Vous trouverez ci-dessous des informations importantes sur cette zone de la grille qui doit subir l'entretien annuel.

**Si vous observez une formation de flamme incorrecte ou un port de brûleur bloqué, passez aux instructions « NETTOYAGE OU REMPLACEMENT DES TUBES DE MÉLANGE » sur les pages suivantes.**

### FORME DE LA FLAMME DU BRÛLEUR

Le tube du brûleur dans votre barbecue à gaz WEBER a été réglé en usine pour assurer le bon mélange d'air et de gaz. La bonne forme de la flamme est indiquée dans l'illustration et décrite ci-dessous :

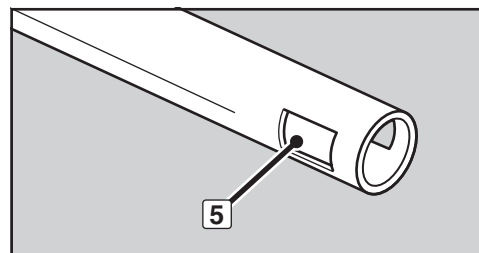
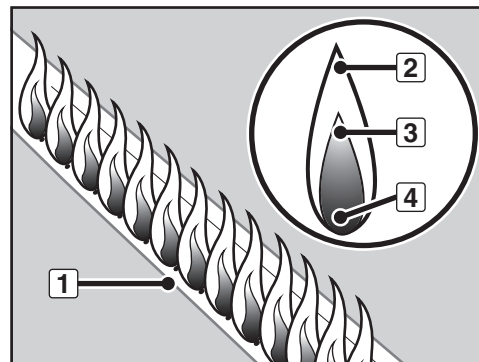
- Tube de brûleur (1)
- Les pointes scintillent parfois en jaune (2)
- Bleu clair (3)
- Bleu foncé (4)

Vérifiez la forme de la flamme du brûleur. Si les flammes ne correspondent pas à la description ci-dessus, ça pourrait être une indication que l'orifice de l'obturateur d'air est bouché par des débris (5). (Reportez-vous à « NETTOYAGE ET REMPLACEMENT DU TUYAU DE BRÛLEUR .»)

### ORIFICES DU TUBE DE BRÛLEUR

Au fil du temps, suite à une utilisation répétée du barbecue, les orifices du tube de brûleur seront sales. Les orifices bloqués et sales peuvent limiter le plein débit de gaz. Voici des façons de déterminer si les orifices du tube de brûleur sont sales ou obturés.

- Le barbecue n'atteint pas la température désirée
- Le barbecue ne chauffe pas de manière uniforme
- Le brûleur ne s'allume pas



## NETTOYAGE OU REMPLACEMENT DU BRÛLEUR

Vérifiez que le barbecue est éteint et qu'il a refroidi

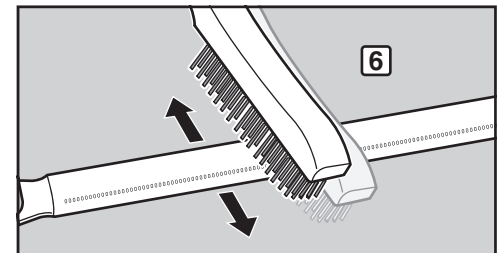
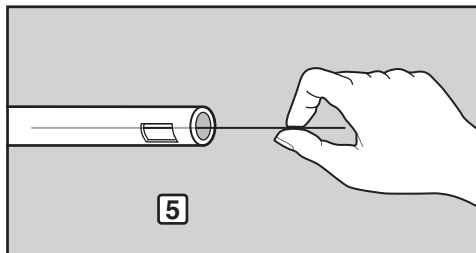
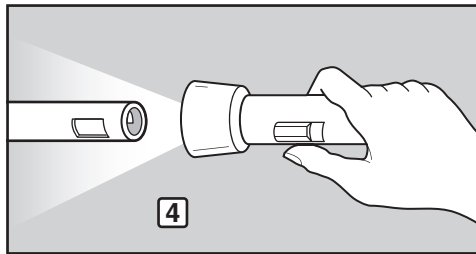
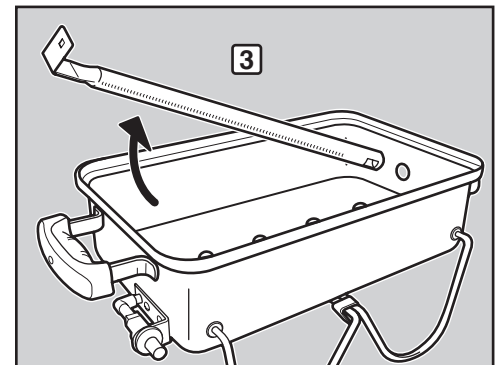
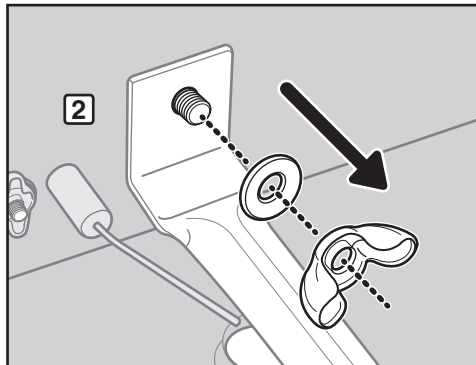
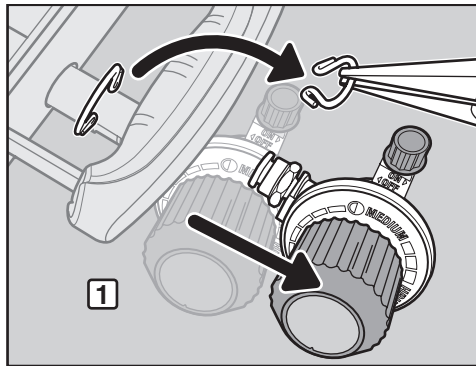
Retrait du détendeur(1)Retrait du brûleur(2)(3)  
Nettoyage du brûleur

(4)(5)(6)⚠ ATTENTION : Ne pas agrandir les orifices du brûleur lors de son nettoyage.

Réinstallation du brûleur

Réinstallation du détendeur⚠ DANGER: Ne pas utiliser le barbecue si le clip de retenue qui fixe le détendeur et l'orifice dans le brûleur est absent.

⚠ AVERTISSEMENT : S'assurer qu'il n'y a pas de fuite de gaz à chaque débranchement/rebranchement d'un raccord de gaz.



# MAINTENANCE ROUTINIÈRE

## BELLE— À L'INTÉRIEUR ET L'EXTÉRIEUR

Les propriétaires de barbecue WEBER sont très fiers de leurs barbecues. Affichez votre fierté et votre joie. Gardez votre grille propre et belle—à l'intérieur comme à l'extérieur en suivant ces étapes de maintenance routinière.

### NETTOYER L'EXTÉRIEUR DE LA GRILLE

Pour assurer que l'extérieur de votre barbecue reste à son meilleur, suivez les directives suivantes de nettoyage en toute sécurité.

**⚠ AVERTISSEMENT : arrêtez votre barbecue à gaz WEBER et attendez qu'il se refroidisse avant de le nettoyer.**

#### Peint, émaillé et surfaces en plastique

Utilisez une solution d'eau chaude savonneuse pour nettoyer les surfaces extérieures; puis rincez à l'eau.

**IMPORTANT : n'utilisez pas de produits nettoyants contenant de l'acide, des essences minérales ou du xylène. N'utilisez pas de nettoyant pour four, de nettoyants abrasifs (nettoyants pour la cuisine), de nettoyants qui contiennent des produits d'agrumes ou de tampons de nettoyage abrasifs sur le barbecue.**

### NETTOYER L'INTÉRIEUR DE LA GRILLE

Pour garder votre barbecue en toute sécurité et de manière efficace, il est important d'enlever toute trace de débris et d'excès de graisse qui se sont accumulés à l'intérieur du barbecue. Utilisez les directives suivantes pour le nettoyage en toute sécurité.

#### Intérieur du couvercle

L'écaillage de la graisse accumulée ressemble à des éclats de peinture. Essayez l'intérieur du couvercle avec une serviette en papier pour éviter l'accumulation de graisse. Laver l'intérieur du couvercle avec de l'eau chaude savonneuse, puis rincez à l'eau.

#### Composants de la cuve de cuisson & du tube du brûleur

Accessoires nécessaires : une brosse en acier inoxydable à poils d'acier inox, et une raclette en matière plastique rigide.

A) Grattez et brossez la grille de cuisson avec le grattoir et balai. Retirez la grille de cuisson et mettez-la de côté.

**⚠ ATTENTION : les brosses à barbecue doivent être vérifiées sur une base régulière pour des poils lâches et l'usure excessive. Remplacez la brosse si vous trouvez des poils lâches sur la grille de cuisson ou sur la brosse. WEBER recommande d'acheter une nouvelle brosse à grille en acier inoxydable au début de chaque printemps.**

**⚠ ATTENTION : ne nettoyez pas la grille de cuisson dans un four autonettoyant.**

B) Brossez les débris hors du tube de brûleur.

N'agrandissez pas les ports du brûleur (ouvertures) fonctionnant sur la longueur du tube de brûleur (1).  
C) Lorsque le nettoyage est terminé, reposez la grille de cuisson.

#### Cuve de cuisson

Lavez l'intérieur de la cuve de cuisson avec de l'eau chaude savonneuse, puis rincez à l'eau.

### FONCTIONNEMENT DU SYSTÈME D'ALLUMAGE

Le dispositif d'allumage fournit une étincelle à l'ensemble d'électrodes de l'allumeur. Si vous effectuez la maintenance routinière ou une vérification de dépannage sur le système d'allumage, lisez ce qui suit pour assurer le bon fonctionnement de votre système d'allumage.

**⚠ AVERTISSEMENT : le bouton de réglage du détendeur devrait être sur la position OFF.**

Si l'allumeur ne s'allume pas votre barbecue à gaz WEBER, vous devrez déterminer où le problème se produit: avec le flux de gaz ou avec le système d'allumage. Commencez par essayer d'allumer votre brûleur avec une allumette. Reportez-vous à "ALLUMAGE DU BRÛLEUR—Allumage avec une allumette." Si vous parvenez à l'allumer avec une allumette, le problème se situe au niveau du système d'allumage.

### MAINTENEZ LA PRESSION SUR LE BOUTON DU SYSTÈME D'ALLUMAGE

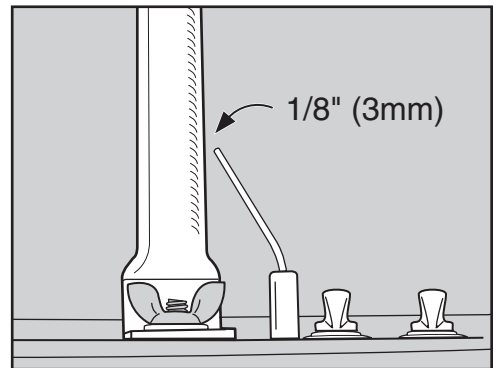
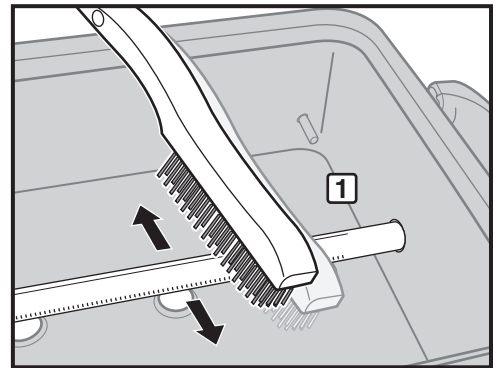
- Vérifiez que le bouton d'allumage s'enfonce, émet un déclic et revient à sa position de départ.
- Vérifiez que la pointe de l'électrode d'allumage est réglée à la bonne distance des trous dans le tube du brûleur.

#### ⚠ DANGER

**Vérifiez que la pointe de l'électrode d'allumage est ajustée à la bonne distance des trous dans le tube de brûleur. Si elle n'est pas réglée correctement, le gaz peut s'accumuler dans le barbecue alors que vous tentez de l'allumer. Un allumage retardé du gaz accumulé peut se produire. Ceci provoquerait un incendie ou une explosion, ce qui risquerait d'être à l'origine de blessures graves voire mortelles ainsi que de dommages matériels.**

**Si le bouton du système d'allumage ne parvient toujours**

**pas à l'allumer, contactez le représentant de service clientèle de votre région en utilisant les informations de contact sur notre site web. Connectez-vous sur [www.weber.com](http://www.weber.com).**



Weber-Stephen Products LLC  
[www.weber.com](http://www.weber.com)