



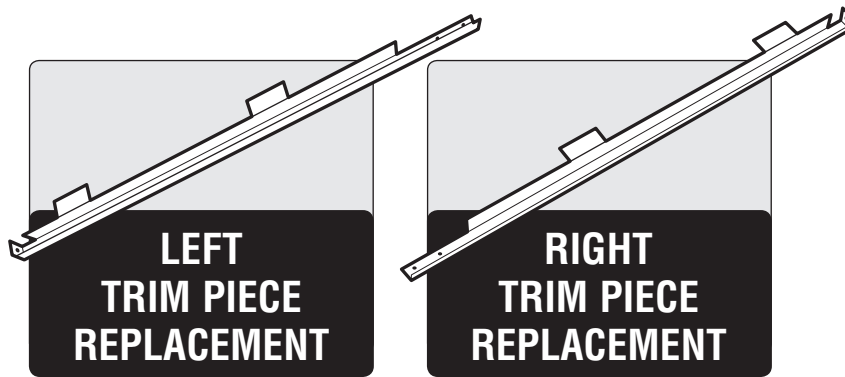
Summit

RIGHT AND LEFT TRIM PIECE REPLACEMENT INSTRUCTIONS

THIS PROCEDURE SHOULD ONLY BE PERFORMED BY AN AUTHORIZED WEBER-STEPHEN PRODUCTS LLC SERVICE TECHNICIAN

⚠ WARNING: GENUINE WEBER-STEPHEN REPLACEMENT PARTS MUST BE USED FOR ANY REPAIR OR REPLACEMENT. YOUR ACTIONS, IF YOU FAIL TO FOLLOW THIS PRODUCT WARNING, MAY CAUSE A FIRE, AN EXPLOSION, OR STRUCTURAL FAILURE RESULTING IN SERIOUS PERSONAL INJURY OR DEATH AS WELL AS DAMAGE TO PROPERTY. (WILL VOID ALL WARRANTY PROTECTION.)

⚠ DANGER: BEFORE PERFORMING ANY WORK MAKE SURE THE GAS SUPPLY IS TURNED OFF AT THE SOURCE. FAILURE TO FOLLOW DANGERS, WARNINGS AND CAUTIONS CONTAINED IN THIS INSTRUCTION SHEET MAY CAUSE A FIRE OR AN EXPLOSION RESULTING IN SERIOUS PERSONAL INJURY OR DEATH AS WELL AS DAMAGE TO PROPERTY.



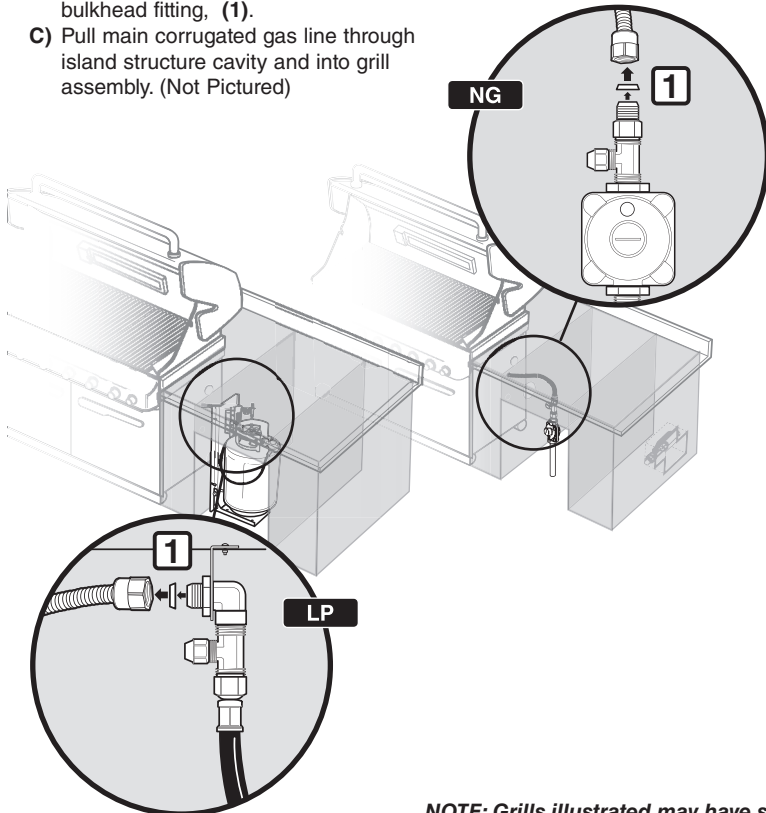
LEFT TRIM PIECE REPLACEMENT

RIGHT TRIM PIECE REPLACEMENT

⚠ BEFORE STARTING:
Make sure lid is closed and casters are locked to prevent grill from moving.

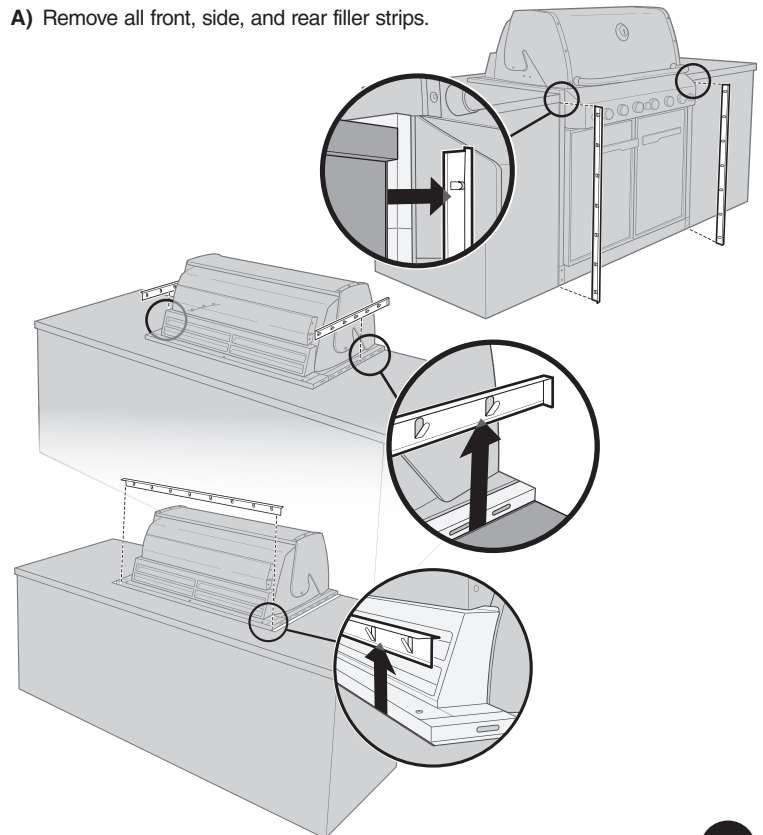
1 DISCONNECTION OF GAS SOURCE

- A) Make sure main gas source is completely turned off.
- B) Located inside tank enclosure, disconnect main corrugated gas line from bulkhead fitting, (1).
- C) Pull main corrugated gas line through island structure cavity and into grill assembly. (Not Pictured)



2 FILLER STRIP REMOVAL

- A) Remove all front, side, and rear filler strips.



NOTE: Grills illustrated may have slight differences than model purchased.



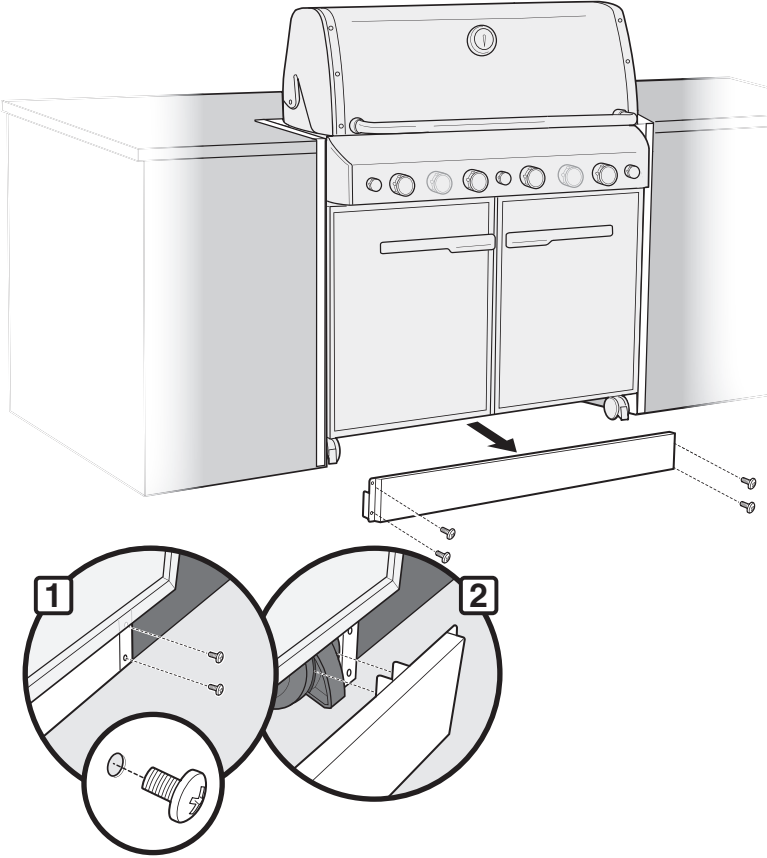
3

REMOVAL OF FRONT WHEEL ALIGNMENT PANEL

TOOLS NEEDED:

 - PHILLIPS

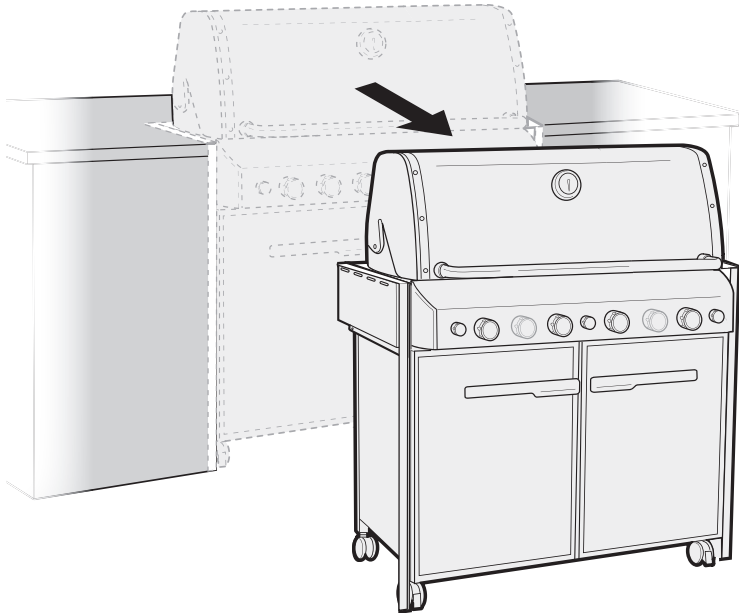
- A) Using a Phillips head screwdriver, remove screws that secure front wheel alignment panel to frame assembly (1).
- B) Pull front wheel alignment panel away from grill assembly (2).



4

GRILL ASSEMBLY REMOVAL

- A) Unlock front casters of grill assembly (Not Pictured).
- B) Pull grill assembly away from island structure.



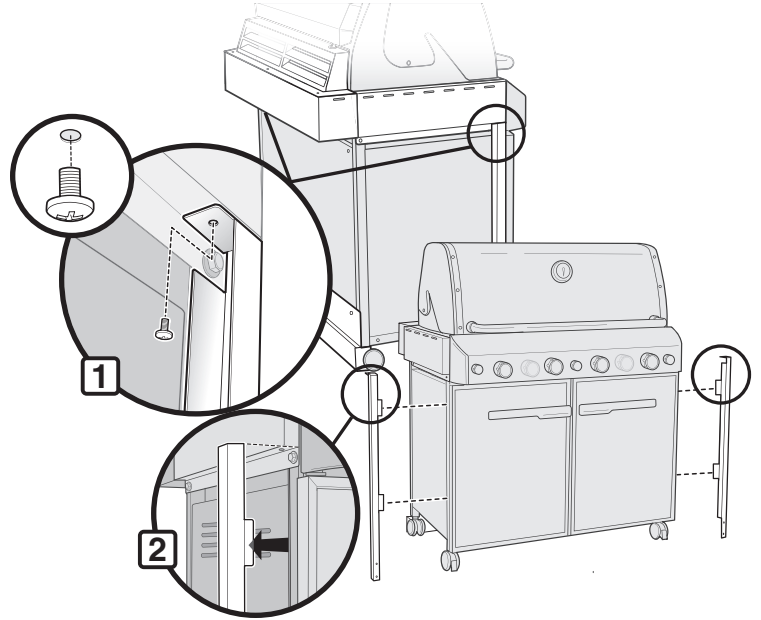
5

TRIM PIECE REMOVAL

TOOLS NEEDED:

 - PHILLIPS

- A) Using a Phillips head screwdriver, remove screws that secure trim piece to grill assembly (1).
- B) Pull trim piece away from grill assembly (2).



• REPLACEMENT PART INSTALLATION

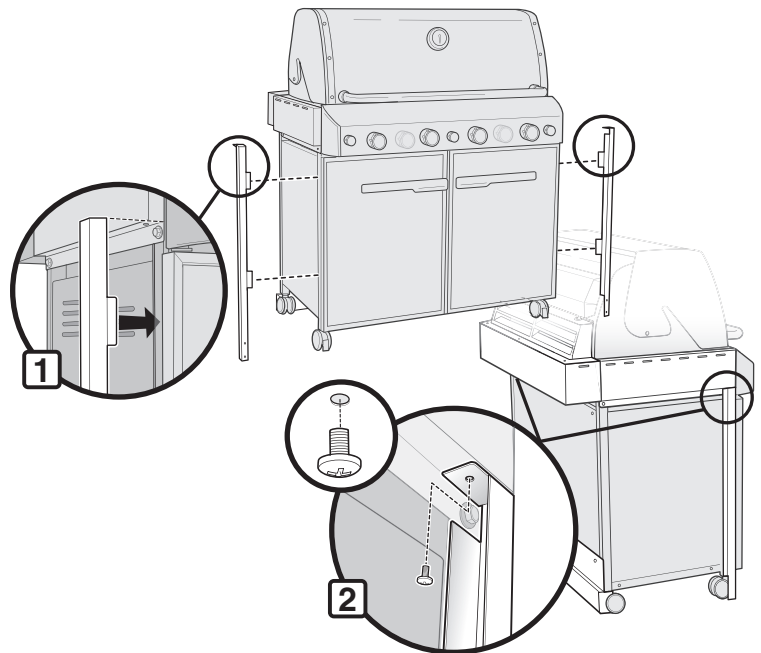
6

TRIM PIECE INSTALLATION

TOOLS NEEDED:

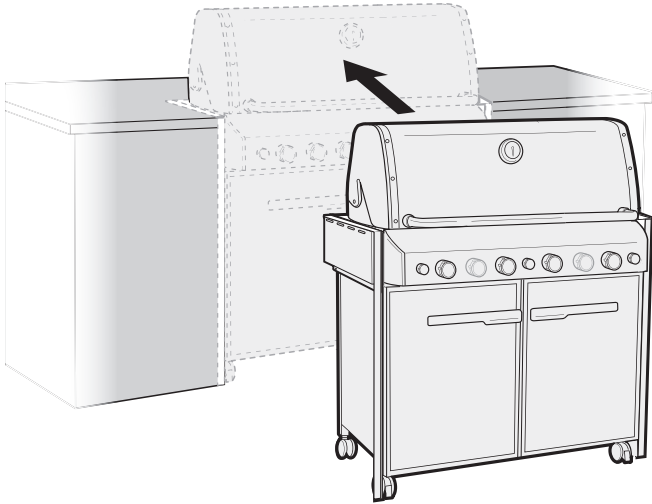
 - PHILLIPS

- A) Align and insert trim piece into grill assembly (1).
- B) Using a Phillips head screwdriver, install screws that secure trim piece to grill assembly (2).




7 GRILL ASSEMBLY REINSTALLATION

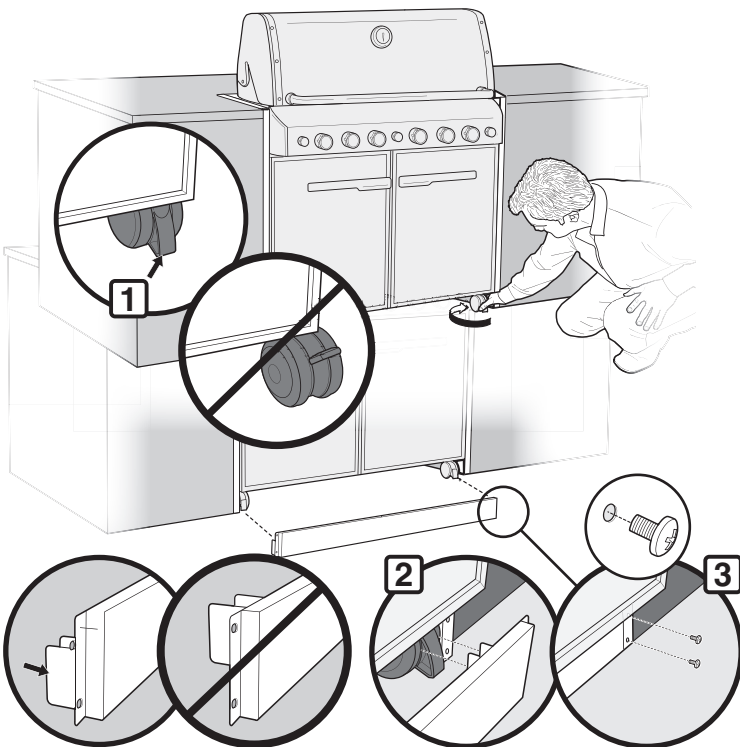
- A) Push grill assembly into island structure.
- B) Align each front caster so that v-shaped piece faces forward. Reach behind each caster and push lock down. (Not Pictured)



8 REINSTALLATION OF FRONT WHEEL ALIGNMENT PANEL

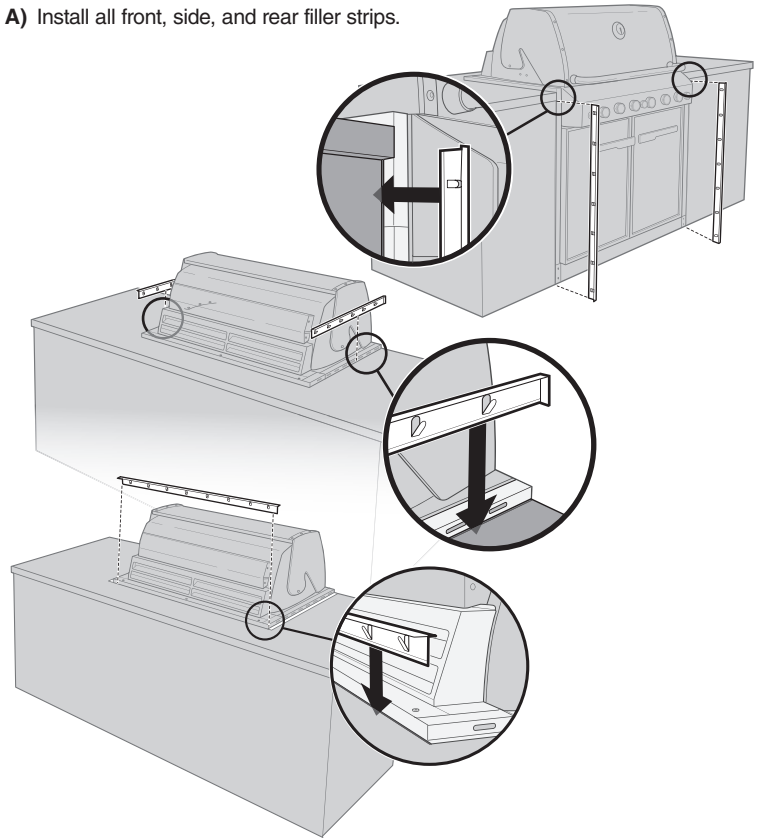
TOOLS NEEDED:  - PHILLIPS

- A) Make sure v-shaped piece of each caster is facing outward away from island structure (1).
- B) Place front wheel alignment panel onto grill assembly (2).
- C) Using a Phillips head screwdriver, install screws that secure front wheel alignment panel to grill assembly (3).



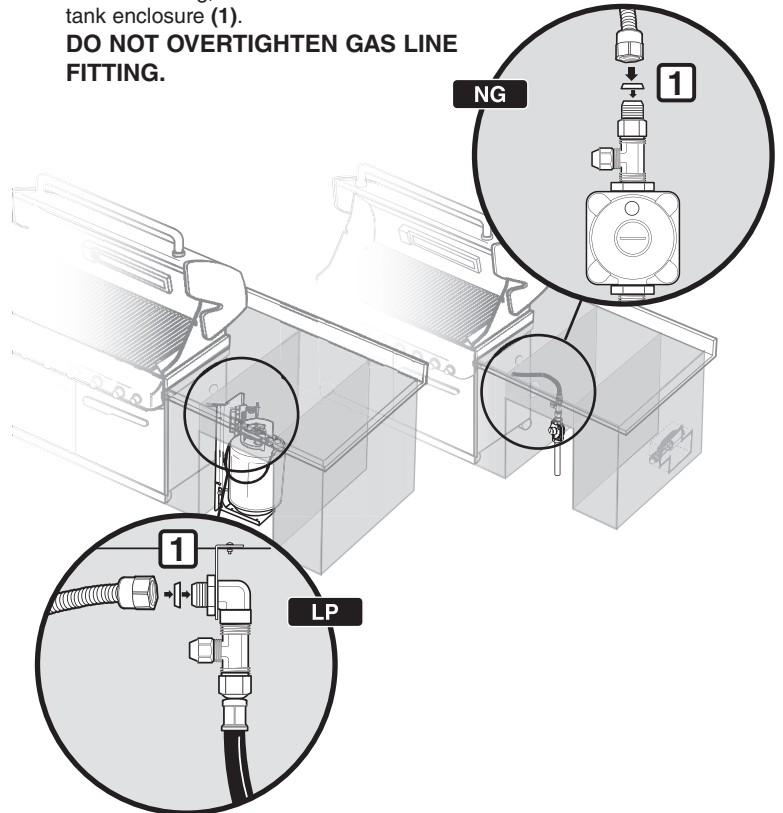
9 FILLER STRIP REINSTALLATION

- A) Install all front, side, and rear filler strips.



10 CONNECTION OF GAS SOURCE

- A) Make sure main gas source is completely turned off.
- B) Pull main corrugated gas line through grill assembly into island structure cavity. (Not Pictured)
- C) Connect main corrugated gas line to bulkhead fitting, which is located inside tank enclosure (1). **DO NOT OVERTIGHTEN GAS LINE FITTING.**



⚠ WARNING: Make sure all control knobs are turned to the OFF position before reconnecting gas supply and operating grill. Your actions, if you fail to follow this Product Warning, may cause a fire, an explosion, or structural failure resulting in serious personal injury or death as well as damage to property.

11

CHECK FOR GAS LEAKS

⚠ DANGER

Do not use an open flame to check for gas leaks. Be sure there are no sparks or open flames in the area while you check for leaks. Sparks or open flames will result in a fire or explosion, which can cause serious bodily injury or death and damage to property.

You will need: a soap and water solution and a rag or brush to apply it.

- A) Mix soap and water.
- B) Turn on gas supply at source.
- C) Check for leaks by wetting fittings with soap and water solution and watching for bubbles. If bubbles form, or if a bubble grows, there is a leak.
- D) When leak checking is complete, turn gas supply off at the source and rinse connections with water.

Check:

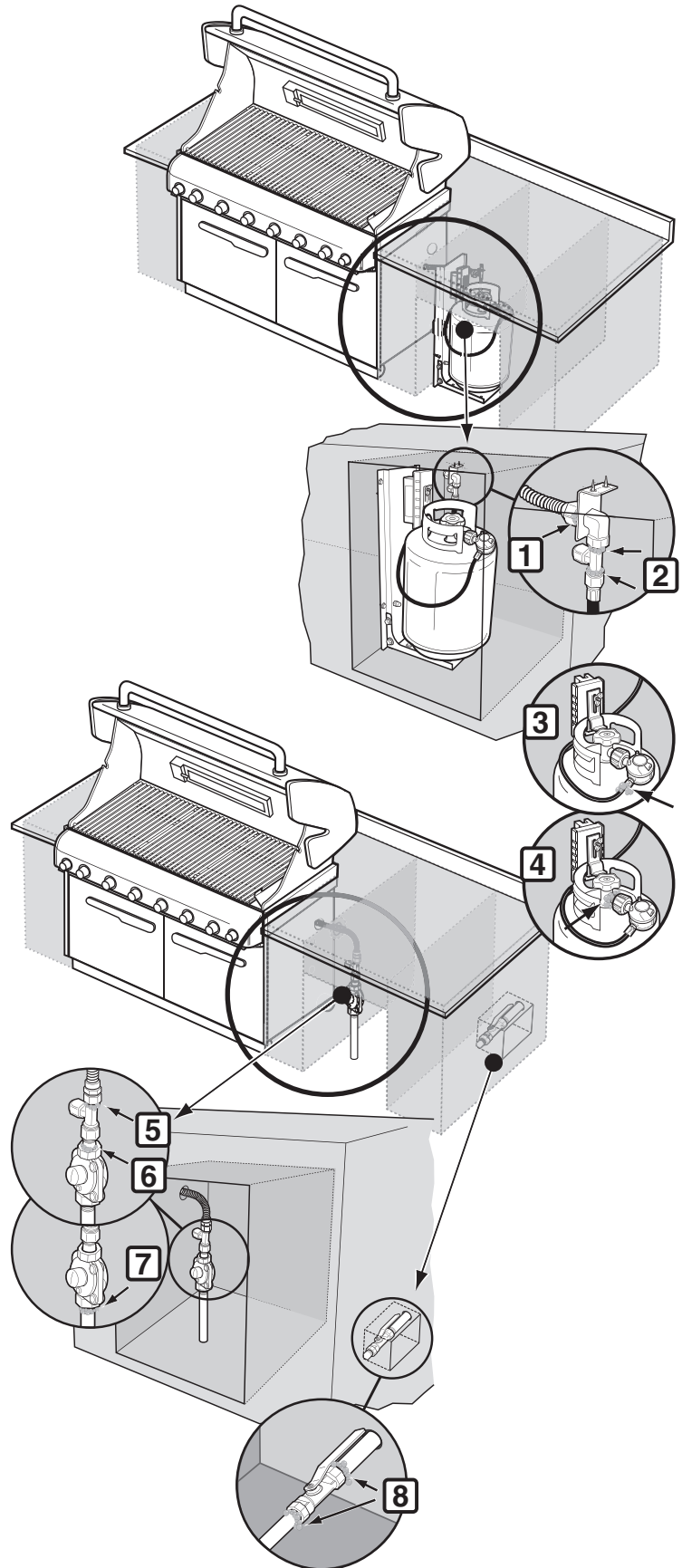
- A) LP: Corrugated gas line-to-bulkhead connection (1).
- B) Bulkhead-to-gas supply hose connection (2) (5).
- C) Bulkhead-to-regulator connection (6).
- D) NG: Regulator-to-gas supply connection (7).

⚠ DANGER: If there is a leak at connection (1, 2, 5, 6 or 7), retighten the fitting with a wrench and recheck for leaks with soap and water solution. If a leak persists, turn OFF the gas. DO NOT OPERATE THE GRILL. Failure to follow dangers, warnings and cautions contained in this Instruction sheet may cause a fire or an explosion resulting in serious personal injury or death as well as damage to property. Contact the Customer Service Representative in your area using the contact information on our web site. Log onto www.weber.com.

- E) LP: Hose-to-regulator connection (3).
- F) LP: Regulator-to-cylinder connection (4).
- G) NG: Gas supply-to-shutoff connections (8).

⚠ DANGER: If there is a leak at connection (3, 4 or 8), turn off the gas. DO NOT OPERATE THE GRILL. Failure to follow dangers, warnings and cautions contained in this Instruction sheet may cause a fire or an explosion resulting in serious personal injury or death as well as damage to property. Contact the Customer Service Representative in your area using the contact information on our web site. Log onto www.weber.com.

When leak checks are complete, turn gas supply OFF at the source and rinse connections with water.



⚠ WARNING: Make sure all parts are assembled and hardware is fully tightened before operating the grill. Your actions, if you fail to follow this product warning, may cause a fire, an explosion, or structural failure resulting in serious personal injury or death as well as damage to property.

⚠ PROPOSITION 65 WARNING: HANDLING THE BRASS MATERIAL ON THIS PRODUCT EXPOSES YOU TO LEAD, A CHEMICAL KNOWN TO THE STATE OF CALIFORNIA TO CAUSE CANCER, BIRTH DEFECTS OR OTHER REPRODUCTIVE HARM.

(WASH HANDS AFTER HANDLING THIS PRODUCT.)

⚠ WARNING: All repairs to gas carrying, gas burning, igniter or structural components must be performed by an authorized Weber-Stephen Products LLC service technician.

These parts may be gas carrying, gas burning, igniter or structural components. Please contact Weber-Stephen Products LLC, Customer Service Department for Genuine Weber-Stephen Products LLC replacement part(s) information.

⚠ WARNING: Do not attempt to make any repair to gas carrying, gas burning, igniter or structural components without contacting Weber-Stephen Products LLC, Customer Service Department. Your actions, if you fail to follow this Product Warning, may cause a fire, an explosion, or structural failure resulting in serious personal injury or death as well as damage to property.

Visit



WEBER-STEPHEN PRODUCTS LLC
www.weber.com[®]

For All of Your Grilling Needs



WEBER-STEPHEN PRODUCTS LLC
Customer Service Center
1890 Roselle Road, Suite 308
Schaumburg, IL 60195

1-800-446-1071 (USA ONLY)
www.weber.com