

SPIRIT

E-215 • E-315 • S-315



Download the WEBER Grills App!

Onboard with the free WEBER Grills App. The WEBER app is your answer to everything grilling and will lead you through everything from gas tank installation to your first grill out. Customize the app to your exact model, and taste, by registering your grill with a few simple questions.

- Grill setup and gas tank installation
- Recipes for any taste
- Grilling techniques and guides
- Seasonal menus/recipes
- Timers and tools



Keep this Owner's Manual for future reference, thoroughly read through it, and if you have any questions please contact us today.

51014

080623
enUS / esMX / frCA

Important Safety Information

DANGER, WARNING, and CAUTION statements are used throughout this Owner's Manual to emphasize critical and important information. Read and follow these statements to help ensure safety and prevent property damage. The statements are defined below.

- ⚠ **DANGER:** Indicates a hazardous situation which, if not avoided, *will result in death or serious injury.*
- ⚠ **WARNING:** Indicates a hazardous situation which, if not avoided, *could result in death or serious injury.*
- ⚠ **CAUTION:** Indicates a hazardous situation which, if not avoided, *could result in minor or moderate injury.*

⚠ DANGER

If you smell gas:

- Shut off gas to the appliance (grill).
- Extinguish any open flame.
- Open lid.
- If odor continues, keep away from the appliance (grill) and immediately call your gas supplier or your fire department.

⚠ WARNING

- Do not store or use gasoline or other flammable liquids or vapors in the vicinity of this (grill) or any other appliance.
- An LP cylinder (tank) not connected for use shall not be stored in the vicinity of this (grill) or any other appliance.

USE OUTDOORS ONLY.

READ THE INSTRUCTIONS BEFORE USING THE APPLIANCE (GRILL).

NOTICE TO INSTALLER: These instructions must be left with the consumer.

NOTICE TO CONSUMER: Retain these instructions for future reference.

Installation and Assembly

- ⚠ **DANGER:** This grill is not intended to be installed in or on recreational vehicles or boats.
- ⚠ **WARNING:** Do not use this grill unless all parts are in place and the grill was properly assembled according to the assembly instructions.
- ⚠ **WARNING:** Do not build this model of grill in any built-in or slide-in construction.
- ⚠ **WARNING:** Do not modify the appliance (grill). Liquid propane gas is not natural gas. The conversion or attempted use of natural gas in a liquid propane gas unit or liquid propane gas in a natural gas unit is unsafe and will void your warranty.

- In the United States, installation must conform with local codes or, in the absence of local codes, with either the National Fuel Gas Code, ANSI Z223.1/ NFPA 54, Natural Gas and Propane Installation Code, CSA B149.1; or Propane Storage and Handling Code, B149.2; or the Standard for Recreational Vehicles, ANSI A119.2/NFPA 1192, and CSA Z240 RV Series, Recreational Vehicle Code, as applicable.
- In Canada, the installation of this grill must comply with local codes and/or the latest edition of Standard CAN/CSA-B149.2 (Propane Storage and Handling Code). These instructions, while generally acceptable, do not necessarily comply with the Canadian installation codes, particularly with piping above and below ground.
- In Mexico, if there are local codes that apply to portable gas appliances, you must comply with the latest edition of Official Mexican Standard (NOM).
- If an external electrical source is utilized (such as a rotisserie) it must be electrically grounded in accordance with local codes or, in the absence of local codes, with the National Electrical Code, ANSI/NFPA 70, or the Canadian Electrical Code, Part 1, CSA C22.1.

Operation

- ⚠ **DANGER:** Only use the grill outdoors in a well-ventilated area. Do not use in a garage, building, breezeway, tent, any other enclosed area, or beneath overhead combustible construction.
- ⚠ **DANGER:** Do not use the grill in any vehicle or in any storage or cargo area of any vehicle. This includes, but is not limited to, cars, trucks, station wagons, mini-vans, sport utility vehicles, recreational vehicles, and boats.
- ⚠ **DANGER:** Do not use the grill within 24 inches (61 cm) of combustible materials. This includes the top, bottom, back and sides of the grill.
- ⚠ **DANGER:** Keep the cooking area clear of flammable vapors and liquids such as gasoline, alcohol, etc., and combustible materials.
- ⚠ **DANGER:** This appliance (grill) must be kept away from flammable materials during use.
- ⚠ **DANGER:** Do not put a grill cover or anything flammable on, or in the storage area under the grill while it is in operation or is hot.
- ⚠ **DANGER:** Should a grease fire occur, turn off all burners and leave lid closed until fire is out.
- ⚠ **WARNING:** Accessible parts may be very hot. Keep young children away.
- ⚠ **WARNING:** The use of alcohol, prescription drugs, non-prescription drugs, or illegal drugs may impair the consumer's ability to properly and safely assemble, move, store, or operate the grill.
- ⚠ **WARNING:** Never leave the grill unattended during pre-heating or use. Exercise caution when using this grill. The entire cookbox gets hot when in use.
- ⚠ **WARNING:** Do not move the appliance (grill) during use.
- ⚠ **WARNING:** Keep any electrical supply cord and the fuel supply hose away from any heated surfaces.
- ⚠ **CAUTION:** This product has been safety-tested and is only certified for use in a specific country. Refer to country designation located on outside of box.

• Do not use charcoal or lava rock in the grill.

Storage and/or Nonuse

- ⚠ **WARNING:** Turn off the gas supply at the gas cylinder (tank) after use.
- ⚠ **WARNING:** LP tanks must be stored outdoors out of the reach of children and must not be stored in a building, garage, or any other enclosed space.
- ⚠ **WARNING:** After a period of storage and/or nonuse, the grill should be checked for gas leaks and burner obstructions before use.
- ⚠ **Storage of the grill indoors is permissible only if the LP tank is disconnected and removed from the grill.**

California Proposition 65

- ⚠ **WARNING:** Combustion byproducts produced when using this product contain chemicals known to the state of California to cause cancer, birth defects, or other reproductive harm.
- ⚠ **PROPOSITION 65 WARNING:** Handling the brass material on this product exposes you to lead, a chemical known to the state of California to cause cancer, birth defects, or other reproductive harm. *Wash hands after handling this product.*



Hello and welcome to the WEBER Family!

Please be sure to read this Owner's Manual and download the free WEBER Grills app so that you're up and grilling as quickly as possible. The WEBER Grills app is your answer to everything grilling. From gas tank installation to recipes and customizable features, this app is where you'll start your grilling journey and never look back.

Thank you for choosing WEBER!

TABLE OF CONTENTS

- 2 Welcome to WEBER
Important Safety Information
- 4 The WEBER Promise
Warranty
- 5 Product Features
SPIRIT Features
- 6 Tips and Hints
The Flame - Direct or Indirect
Grilling Do's and Don'ts
- 8 Getting Started
Important Information about
LP Gas & Gas Connections
LP Tank Installation & Leak Checking
Refilling or Replacing an LP Tank
- 12 Operation
The Very First Time You Grill
Every Time You Grill
Igniting the Grill
- 14 Product Care
Cleaning and Maintenance
- 16 Troubleshooting
- 18 Grilling Guide
- 55 Replacement Parts



Warranty

Limited Warranty

Thank you for purchasing a WEBER product. Weber-Stephen Products LLC, 1415 S. Roselle Road, Palatine, Illinois 60067 ("WEBER") prides itself on delivering a safe, durable, and reliable product.

This is WEBER's Limited Warranty ("Warranty") provided to you at no extra charge. It contains the information you will need to have your WEBER product repaired in the unlikely event of a failure or defect.

Pursuant to applicable laws, the customer has several rights in case the product is defective. Those rights include supplementary performance or replacement, abatement of the purchasing price, and compensation. These and other statutory rights remain unaffected by this warranty provision. In fact, this warranty grants additional rights to the Owner that are independent from statutory warranty provisions.

WEBER'S LIMITED WARRANTY

WEBER warrants, to the purchaser of the WEBER product (or in the case of a gift or promotional situation, the person for whom it was purchased as a gift or promotional item) ("Owner"), that the WEBER product is free from defects in material and workmanship for the period(s) of time specified below when assembled and operated in accordance with the accompanying Owner's Manual, normal wear and tear excluded. (Note: If you lose or misplace your WEBER Owner's Manual, a replacement is available online at www.weber.com.) WEBER agrees within the framework of this warranty to repair or replace the part that is defective in material or workmanship subject to the limitations, and exclusions listed below. **TO THE EXTENT ALLOWABLE BY APPLICABLE LAW, THIS WARRANTY IS EXTENDED ONLY TO THE ORIGINAL PURCHASER AND IS NOT TRANSFERABLE TO SUBSEQUENT OWNERS, EXCEPT IN THE CASE OF GIFTS AND PROMOTIONAL ITEMS AS NOTED ABOVE.**

WEBER stands by its products and is happy to provide you with the Warranty described for material defects in the grill or its relevant components, normal wear and tear excepted.

- 'Normal wear and tear' includes cosmetic and other immaterial deterioration that may come with ownership of your grill over time, such as surface rust, dents / scratches, etc.

However, WEBER will honor this Warranty for the grill or its relevant components where damage or dysfunction results from a material defect.

- 'Material defect' includes rust through or burn through of certain parts, or other damage or failure inhibiting your ability to safely / properly use your grill.

OWNER'S RESPONSIBILITIES UNDER THIS WARRANTY

To ensure trouble-free warranty coverage, it is important (but it is not required) that you register your WEBER product online at www.weber.com. Please also retain your original sales receipt and/or invoice. Registering your WEBER product confirms your warranty coverage and provides a direct link between you and WEBER in case we need to contact you. If you have not had time to register your grill before calling for Warranty service, please have the following information available when you do call:

Name – Address – Phone Number – Email – Serial Number – Purchase Date – Purchase Dealer – Model – Color – Primary Issue

The above warranty only applies if the Owner takes reasonable care of the WEBER product by following all assembly instructions, usage instructions, and preventative maintenance as outlined in the accompanying Owner's Manual, unless the Owner can prove that the defect or failure is independent of non-compliance with the above mentioned obligations. If you live in a coastal area, or have your product located near a pool, maintenance includes regular washing and rinsing of the exterior surfaces as outlined in the accompanying Owner's Manual.

WARRANTY HANDLING / EXCLUSION OF WARRANTY

If you believe that you have a part which is covered by this Warranty, please contact WEBER Customer Service using the contact information on our website (www.weber.com, or such country-specific website to which Owner may be redirected). WEBER will, upon investigation, repair or replace (at its option) a defective part that is covered by this Warranty. In the event that repair or replacement are not possible, WEBER may choose (at its option) to replace the grill in question with a new grill of equal or greater value. WEBER may ask you to return parts for inspection, shipping charges to be pre-paid by owner. When you contact Customer Service, please have the following information available:

Name – Address – Phone Number – Email – Serial Number – Purchase Date – Purchase Dealer – Model – Color – Primary Issue

This WARRANTY lapses if there are damages, deteriorations, discolorations, and/or rust for which WEBER is not responsible caused by:

- Abuse, misuse, alteration, modification, misapplication, vandalism, neglect, improper assembly or installation, and failure to properly perform normal and routine maintenance;

- Insects (such as spiders) and rodents (such as squirrels), including but not limited to damage to burner tubes and/or gas hoses;
- Exposure to salt air and/or chlorine sources such as swimming pools and hot tubs/spas;
- Severe weather conditions such as hail, hurricanes, earthquakes, tsunamis or surges, tornadoes or severe storms.
- Acid rain and other environmental factors.

Using third party parts will not void this Warranty. However, any parts that are used and/or installed on your WEBER product that are not genuine WEBER parts are not covered by this Warranty. In addition, any damages that result from the use and/or installation of parts on your WEBER product that are not genuine WEBER parts are not covered by this Warranty. Any conversion of a gas grill not authorized by WEBER and performed by a WEBER authorized service technician will void this Warranty.

PRODUCT WARRANTY PERIODS

Cookbox:

10 years, no rust through/burn through
 (2 years paint excluding fading or discoloration)

Lid assembly:

10 years, no rust through/burn through
 (2 years paint excluding fading or discoloration)

Stainless steel burner tubes:

10 years, no rust through/burn through

Stainless steel cooking grates:

5 years, no rust through/burn through

Stainless steel FLAVORIZER BARS:

5 years, no rust through/burn through

Porcelain-enameled cast iron cooking grates:

5 years, no rust through/burn through

All remaining parts:

2 years

DISCLAIMERS

APART FROM THE WARRANTY AND DISCLAIMERS AS DESCRIBED IN THIS WARRANTY STATEMENT, THERE ARE EXPLICITLY NO FURTHER WARRANTY OR VOLUNTARY DECLARATIONS OF LIABILITY GIVEN HERE WHICH GO BEYOND THE STATUTORY LIABILITY APPLYING TO WEBER. THE PRESENT WARRANTY STATEMENT ALSO DOES NOT LIMIT OR EXCLUDE SITUATIONS OR CLAIMS WHERE WEBER HAS MANDATORY LIABILITY AS PRESCRIBED BY STATUTE. NO WARRANTIES SHALL APPLY AFTER THE APPLICABLE PERIODS OF THIS WARRANTY. NO OTHER WARRANTIES GIVEN BY ANY PERSON, INCLUDING A DEALER OR RETAILER, WITH RESPECT TO ANY PRODUCT (SUCH AS ANY "EXTENDED WARRANTIES"), SHALL BIND WEBER. THE EXCLUSIVE REMEDY OF THIS WARRANTY IS REPAIR OR REPLACEMENT OF THE PART OR PRODUCT.

IN NO EVENT UNDER THIS WARRANTY SHALL RECOVERY OF ANY KIND BE GREATER THAN THE AMOUNT OF THE PURCHASE PRICE OF THE WEBER PRODUCT SOLD. YOU ASSUME THE RISK AND LIABILITY FOR LOSS, DAMAGE, OR INJURY TO YOU AND YOUR PROPERTY AND/OR TO OTHERS AND THEIR PROPERTY ARISING OUT OF THE MISUSE OR ABUSE OF THE PRODUCT OR FAILURE TO FOLLOW INSTRUCTIONS PROVIDED BY WEBER IN THE ACCOMPANYING OWNER'S MANUAL.

PARTS AND ACCESSORIES REPLACED UNDER THIS WARRANTY ARE WARRANTED ONLY FOR THE BALANCE OF THE ABOVE MENTIONED ORIGINAL WARRANTY PERIOD(S). THIS WARRANTY APPLIES TO PRIVATE SINGLE FAMILY HOME OR APARTMENT USE ONLY AND DOES NOT APPLY TO WEBER GRILLS USED IN COMMERCIAL, COMMUNAL OR MULTI-UNIT SETTINGS SUCH AS RESTAURANTS, HOTELS, RESORTS, OR RENTAL PROPERTIES.

WEBER MAY FROM TIME TO TIME CHANGE THE DESIGN OF ITS PRODUCTS. NOTHING CONTAINED IN THIS WARRANTY SHALL BE CONSTRUED AS OBLIGATING WEBER TO INCORPORATE SUCH DESIGN CHANGES INTO PREVIOUSLY MANUFACTURED PRODUCTS, NOR SHALL SUCH CHANGES BE CONSTRUED AS AN ADMISSION THAT PREVIOUS DESIGNS WERE DEFECTIVE.

**Weber-Stephen Products LLC
 Customer Service Center
 1415 S. Roselle Road
 Palatine, IL 60067
 U.S.A.**

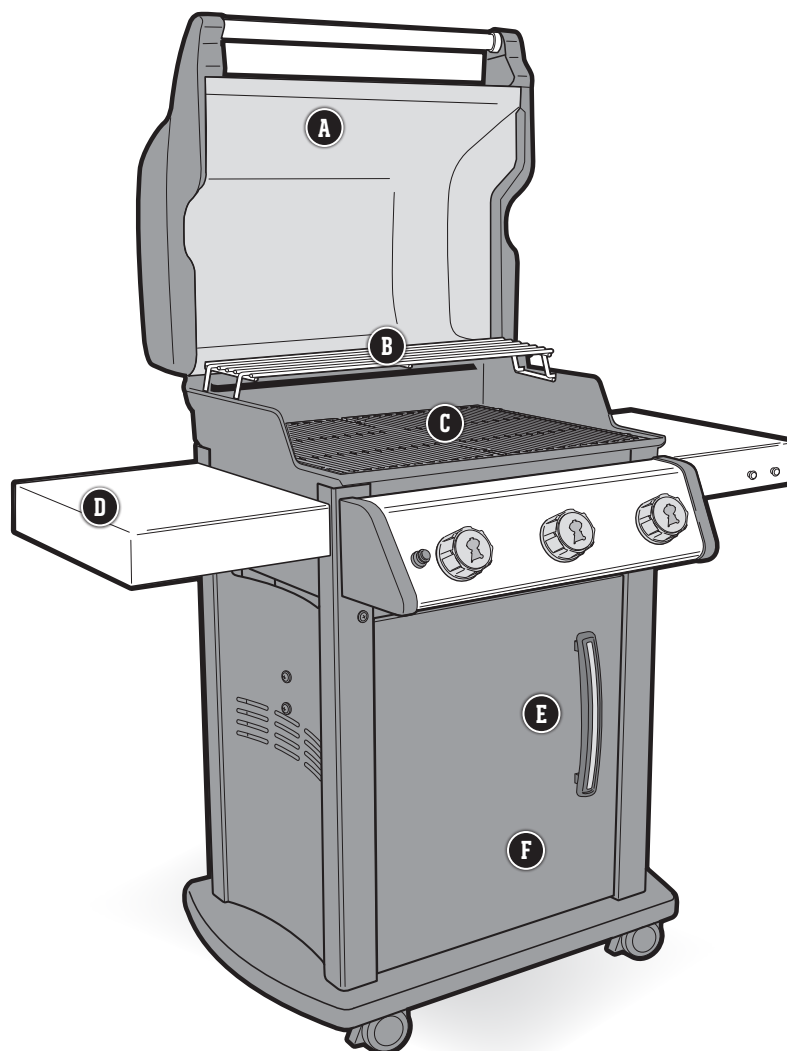
**For replacement parts, call:
 1-800-446-1071**



**PROTECT
 YOUR
 INVESTMENT**

Shield your grill from the elements with a heavy-duty premium grill cover.

SPIRIT FEATURES



A Built-In Thermometer

Being aware of the temperature inside of your grill allows you to adjust the heat when needed.

B Warming Rack

The warming rack keeps food warm or toasts burger buns, as the main meal grills below.

C Porcelain-Enameled, Cast Iron Cooking Grates

The reversible cooking grates empower you to be even more creative with your dish. The thin side of the cooking grate is ideal for delicate food such as fish and shrimp, while the wider side creates a thick sear mark enhancing the flavor of your food.

D Side Tables with Integrated Tool Hooks

Use the side tables to keep platters, seasonings, and tools within arm's reach. Hang your essential grilling tools on the hooks for easy access and organization of your backyard workspace. The side table folds down to fit in smaller spaces (215).

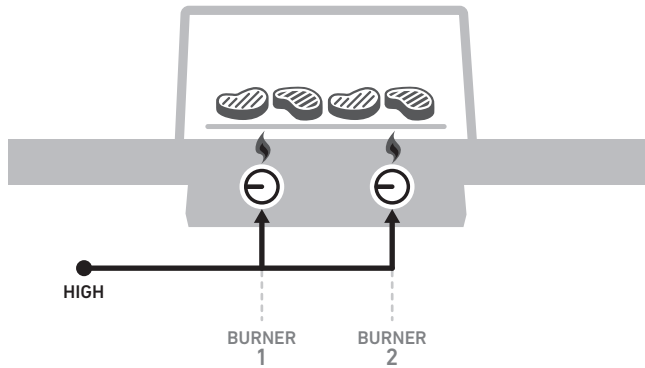
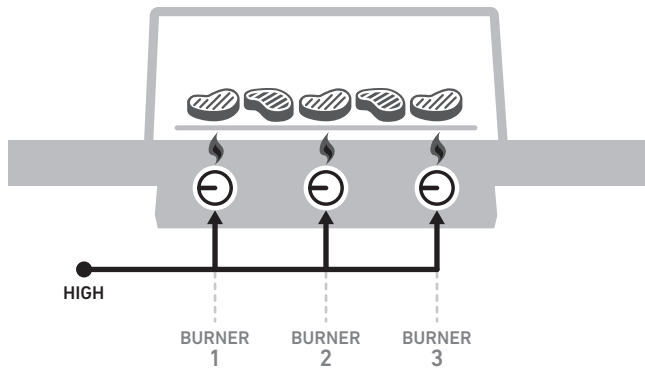
E Fuel Gauge

Always know where you stand. The easy-to-read fuel gauge located next to the gas tank lets you see how much fuel is left in your tank at all times. Rest assured knowing that you will not run out of gas halfway through your next grilling experience.

F Grill Cabinet

The grill cabinet adds enclosed storage space for all of your essential grilling tools and accessories.

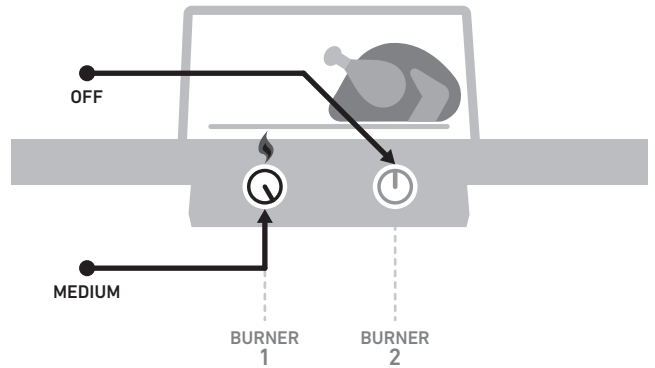
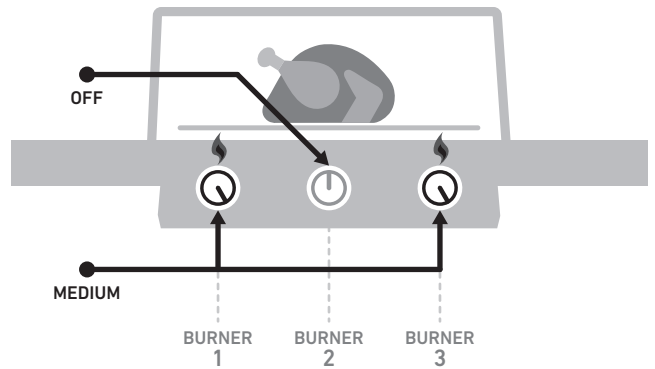
The Flame - Direct or Indirect



DIRECT HEAT SETUP

Use the direct method for small, tender pieces of food that take less than 20 minutes to cook, such as: hamburgers, steaks, chops, kabobs, boneless chicken pieces, fish fillets, shellfish, and sliced vegetables.

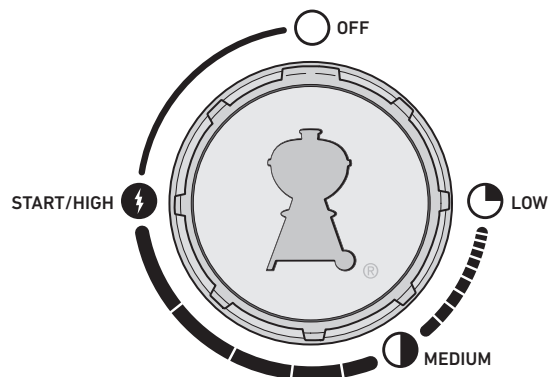
With direct heat, the fire is right below the food. It sears the surfaces of the food, developing flavors, texture, and delicious caramelization while cooking the food all the way to the center.



INDIRECT HEAT SETUP

Use the indirect method for larger cuts of meat that require 20 minutes or more of grilling time, or for foods so delicate that direct exposure to the heat would dry them out or scorch them, such as: roasts, bone-in poultry pieces, whole fish, delicate fish fillets, whole chickens, turkeys, and ribs. Indirect heat can also be used for finishing thicker foods or bone-in cuts that have been seared or browned first over direct heat.

With indirect heat, the heat is on both sides of the grill, or off to one side of the grill. The food sits over the unlit part on the cooking grate.



Grilling Do's and Don'ts

Preheat each and every time.

If the cooking grates aren't hot enough, food will stick, and you will likely never have a chance of searing properly or developing those handsome grill marks. Even if a recipe calls for medium or low heat, always preheat the grill on the highest setting first. Open the lid, turn up the heat, close the lid, and then let the cooking grate heat up for about ten minutes or until the lid thermometer reads 500° F (260° C).

Don't grill on dirty grates.

Tossing food onto the cooking grates before they have been cleaned is never a good idea. Leftover "stuff" on the grates acts like glue, binding it to the grates and your new food. To avoid tasting last night's dinner on today's lunch, make sure you are grilling on a clean cooking grate. Once the grates are preheated, use a stainless steel bristle grill brush to make a clean, smooth surface.

Be present in the process.

Before firing up your grill, make sure that everything you need is within arm's reach. Don't forget your essential grilling tools, already oiled and seasoned food, glazes or sauces, and clean cooking platters for cooked food. Having to run back to your kitchen not only means missing out on the fun, but could also result in burning your food. French chefs call this "mise en place" (meaning, "put in place"). We call it "being present".

Create a little elbow room.

Packing too much food onto the cooking grates restricts your flexibility. Leave at least one-quarter of the cooking grates clear, with plenty of space between each food item, in order to get your tongs in there and easily move the food around. Sometimes grilling involves split-second decisions and the ability to jockey food from one area to another. So give yourself enough room to operate.

Try not to peek.

The lid on your grill is for more than just keeping the rain out. Most importantly, it's for preventing too much air from getting in, and too much heat and smoke from getting out. When the lid is closed, the cooking grates are hotter, the grilling times are faster, the smoky tastes are stronger, and the flare-ups are fewer. So put a lid on it!

Only flip once.

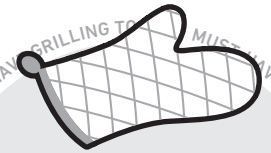
What's better than a juicy steak with a deep sear and plenty of beautifully caramelized bits? The key to accomplishing these results is to keep your food in place. Sometimes we have the tendency to flip our food before it reaches the desirable level of color and flavor. In nearly all cases, you should turn food just once. If fiddling with it more than that, you are probably also opening the lid too much, which causes its own set of problems. So step back and trust the grill.

Know when to tame the flame.

When grilling, sometimes the most important thing to know is when to stop. The most reliable way to test doneness of your food is to invest in an instant-read thermometer. This slim little gem will help you pinpoint that critical moment when your food is at its best.

Don't be afraid to experiment.

Back in the 1950s, grilling meant one thing: meat (and only meat) charred over open flames. The modern day backyard chef doesn't need a kitchen in order to prepare a full course meal. Use your grill to make char-grilled appetizers, sides, and even desserts. Register your grill to receive special content that will inspire you along the way. We'd love to join you on your grilling adventures.



BARBECUE MITTS

When in doubt, wear them. The good ones are insulated and protect both hand and forearm.



SPATULA

Look for a long-handled spatula designed with a bent (offset) neck so that the blade is set lower than the handle. This makes it easier to lift food off the cooking grates.



TIMER

Avoid the disappointment of torching your dinner by simply setting a timer. Nothing fancy needed—just one that is reliable and easy to use.

Important Information about LP Gas & Gas Connections

What Is LP Gas?

Liquefied petroleum gas, also called LP, LP gas, liquid propane, or simply propane or butane, is the flammable, petroleum-based product used to fuel your grill. It is a gas at moderate temperatures and pressure when it is not contained. But at moderate pressure inside a container, such as a tank, LP is a liquid. As pressure is released from the tank, the liquid readily vaporizes and becomes gas.

Safe Handling Tips For LP Tanks

- A dented or rusty liquid propane tank may be hazardous and should be checked by your liquid propane supplier. Do not use a liquid propane tank with a damaged valve.
- Although your liquid propane tank may appear to be empty, gas may still be present, and the tank should be transported and stored accordingly.
- The LP tank must be installed, transported, and stored in an upright, secure position. LP tanks should not be dropped or handled roughly.
- Never store or transport the LP tank where temperatures can reach 125° F (51.7° C) (the tank will become too hot to hold by hand).
- Place dust cap on cylinder valve outlet whenever the cylinder is not in use. Only install the type of dust cap on the cylinder valve outlet that is provided with the cylinder valve. Other types of caps or plugs may result in leakage of propane.

LP Tank Requirements

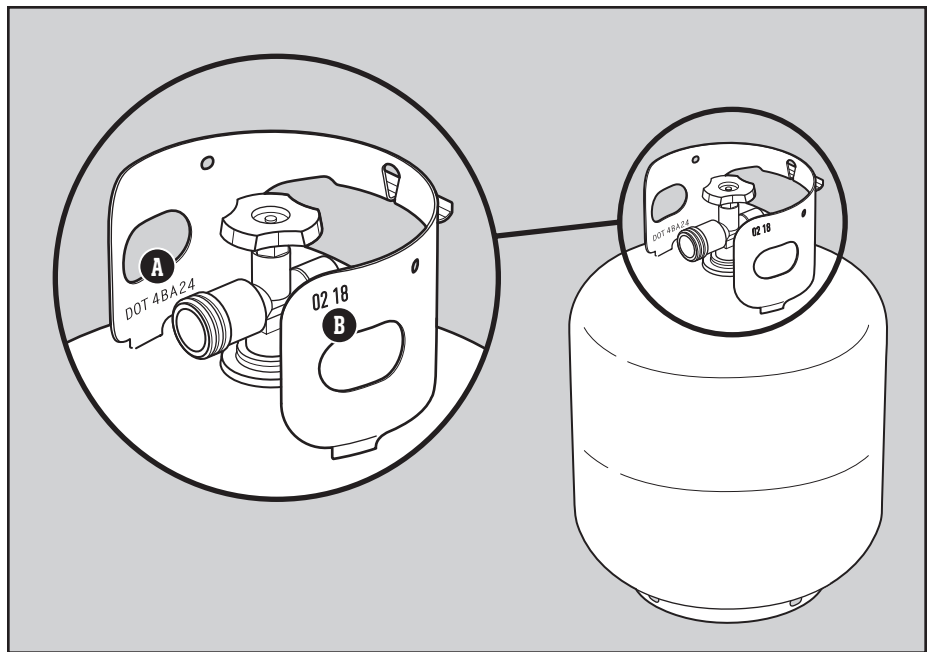
- The tank must be approximately 18¼ inches (46.35 cm) high and 12¼ inches (31.1 cm) in diameter with a marked 20 pound (9.07 kg) LPG capacity or 47.6 pound (21.6 kg) water capacity as stated by the manufacturer. Other tanks may be acceptable provided they are compatible with the grill retention means (tank scale).
- The tank used must be constructed and marked in accordance with the Specifications for LP gas Cylinders of the U.S. Department of Transportation (D.O.T.); or the Canadian Standard for Cylinders, Spheres and Tubes for Transportation of Dangerous Goods and Commission, CAN/CSA-B339, as applicable.
- Tanks must be provided with a listed OPD (Overfilling Prevention Device) and a Type 1 (CGA 791) tank connection. The tank connection must be compatible with the grill connection.
- The tank must include a collar to protect the tank valve.
- Tanks must have a D.O.T. certification **(A)**, and a testing date **(B)** that is within five years of current use.

What is a Regulator?

Your gas grill is equipped with a pressure regulator, which is a device to control and maintain uniform gas pressure as gas is released from the LP tank.

Regulator Requirements

- The regulator and hose assembly supplied with this grill must be used. This regulator has a flow limiting device built into the unit that will restrict the flow of gas in the event that a leak is detected.
- Replacement regulator and hose assemblies must be as specified by Weber-Stephen Products LLC (UL-listed Type 1 (CGA 791) tank connection device as described in the latest edition of ANSI Z21.81).



LP Tank Installation & Leak Checking

Installation Location

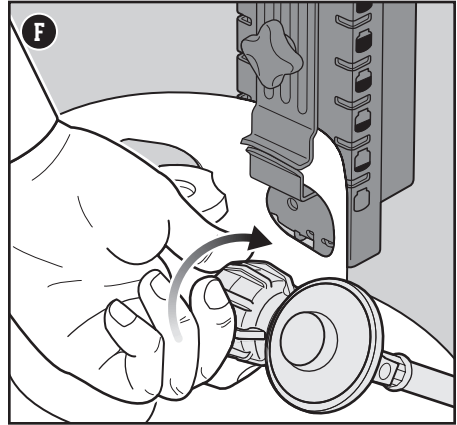
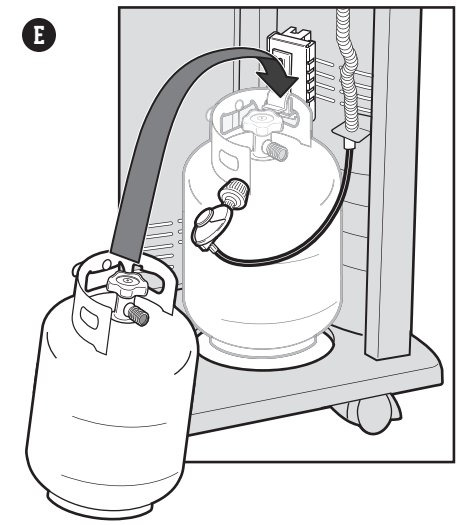
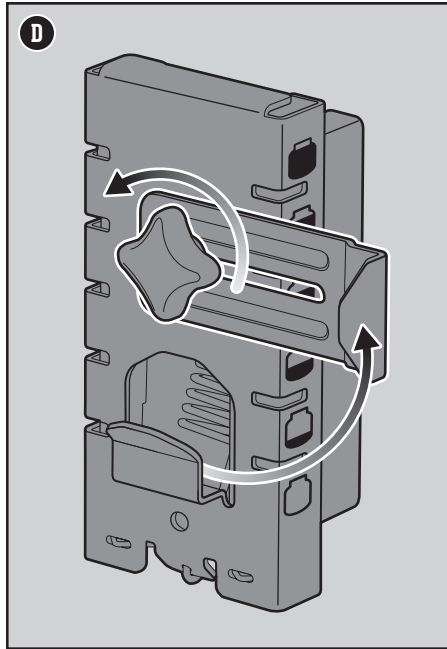
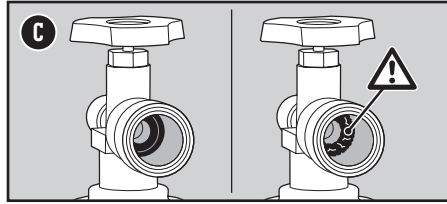
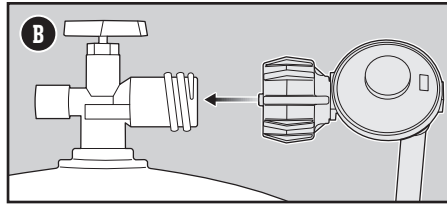
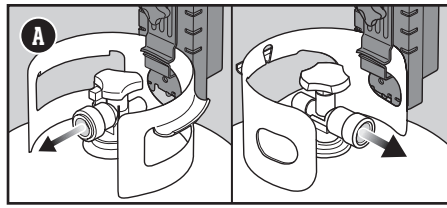
The LP tank is installed inside the base cabinet, on the tank scale (right side). The shape of the collar assembly (the metal protective ring around the tank valve) determines one of two directions in which the tank will correctly hang on the tank scale (A).

Inspect the Tank

- 1) Confirm that the tank valve is fully closed. Close by turning valve clockwise.
- 2) Confirm that the tank valve is the proper mating type for the regulator (B).
- 3) Inspect the tank valve, including the internal rubber seal for damage or debris (C). If damaged, return tank to local retailer.

Install The Tank

- 1) Check that all burner control knobs are in the off O position. Check by pushing in and turning knobs clockwise.
- 2) Open base cabinet door.
- 3) Loosen hand nut and rotate tank lock up (D).
- 4) Lift tank into position on the tank scale (E).
- 5) Rotate the tank lock down. Tighten the hand nut.
- 6) Screw the regulator coupling onto the tank valve, turning clockwise (F). **Hand-tighten only.** Using a wrench could damage the regulator coupling and could cause a leak. Proceed to "CHECKING FOR GAS LEAKS."



What is a Leak Check?

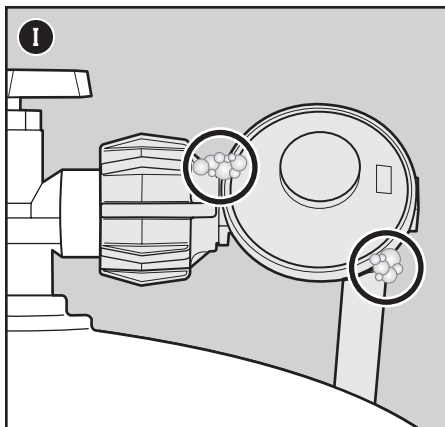
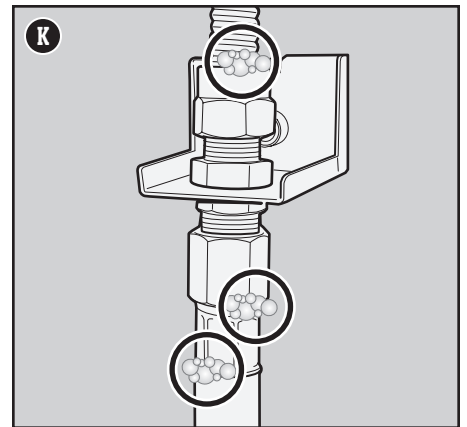
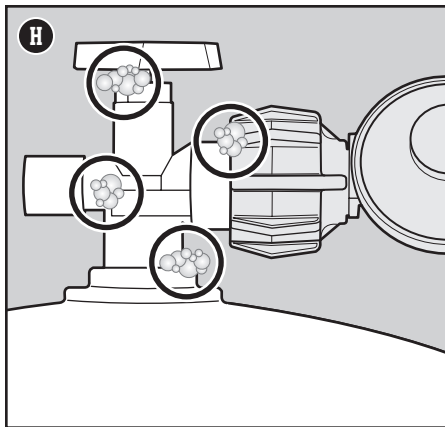
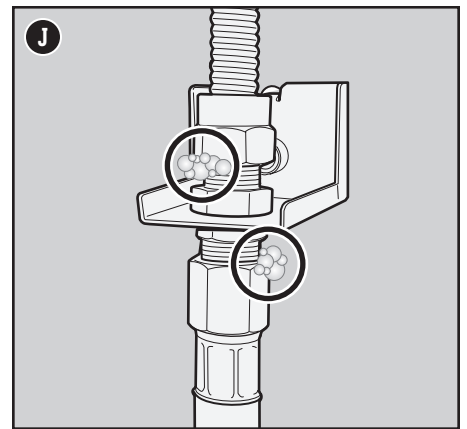
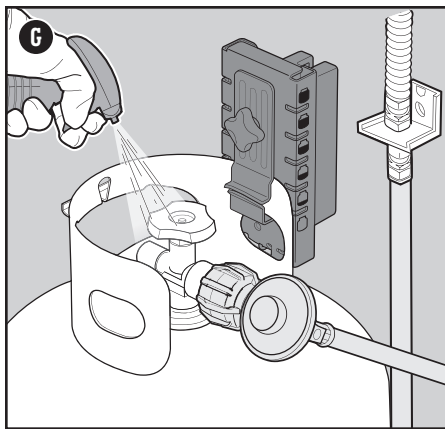
Once the LP tank is properly installed, it is necessary to perform a leak check. A leak check is a reliable way to verify that gas is not escaping after you connect the tank. The fuel system in your grill features factory-made connections that have been thoroughly checked for gas leaks and the burners have been flame-tested. WEBER recommends performing a thorough leak check after assembly, as well as annually. The following fittings should be tested:

- Where the regulator connects to the tank.
- Where the gas hose connects to the bulkhead.
- Where the bulkhead connects to the corrugated gas line.

Checking for Gas Leaks

- 1) Wet fittings (G) with a soap and water solution, using a spray bottle, brush, or rag. You can make your own soap and water solution by mixing 20% liquid soap with 80% water; or, you can purchase leak check solution in the plumbing section of any hardware store.
- 2) Slowly open gas supply by turning tank valve counterclockwise while checking for bubbles.
- 3) If bubbles appear there is a leak:
 - a) If the leak is at the cylinder (H), turn off the gas. **DO NOT OPERATE THE GRILL.** Disconnect the tank and return the tank to your local retailer.
 - b) If the leak is at the regulator (I), turn off the gas. **NEVER ATTEMPT TO TIGHTEN THE REGULATOR WITH TANK VALVE OPEN. DO NOT OPERATE THE GRILL.** Contact the Customer Service Representative in your area using the contact information on our website.
 - c) If the leak is at any fittings indicated in illustration (J), re-tighten fitting with a wrench and recheck for leaks with soap and water solution. If leak persists, turn off the gas. **DO NOT OPERATE THE GRILL.**
 - d) If the leak is at any fittings indicated in illustration (K), turn off the gas. **DO NOT OPERATE THE GRILL.**
- 4) If bubbles do not appear, leak checking is complete:
 - a) Turn gas supply off at the tank and rinse connections with water.

NOTE: Since some leak test solutions, including soap and water, may be slightly corrosive, all connections should be rinsed with water after checking for leaks.



⚠ DANGER: Do not use a flame to check for gas leaks. Be sure there are no sparks or open flames in the area while you check for leaks.

⚠ DANGER: Leaking gas may cause a fire or explosion.

⚠ DANGER: Do not operate the grill if there is a gas leak present.

⚠ DANGER: If you see, smell, or hear the hiss of gas escaping from the liquid propane tank:

- 1) Move away from liquid propane tank.
- 2) Do not attempt to correct the problem yourself.
- 3) Call your fire department.

⚠ DANGER: Always close the tank valve before disconnecting the regulator. Do not attempt to disconnect the gas regulator and hose assembly or any gas fitting while this grill is in operation.

⚠ DANGER: Do not store a spare LP tank under or near this grill. Never fill the tank beyond 80% full. Failure to follow these statements exactly may result in a fire causing death or serious injury.

Refilling or Replacing an LP Tank

How Much Fuel is in the Tank?

The tank scale indicates the amount of fuel in a standard 20 pound (9.07 kg) tank once the tank is hung from the scale. The fuel level is checked by viewing the red level indicator line, located on scale. When the indicator line is at the top, the tank is full (**L**). When it is at the bottom, the tank is empty (**M**) and needs to be removed to replace or refill.

Removal of the LP Tank

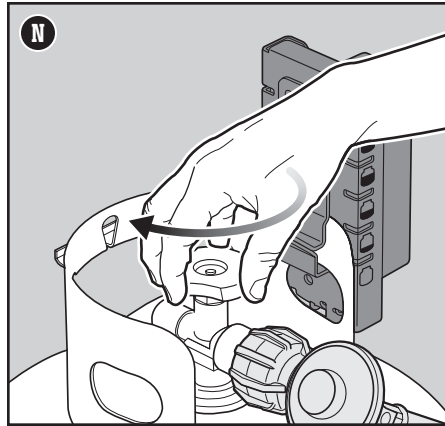
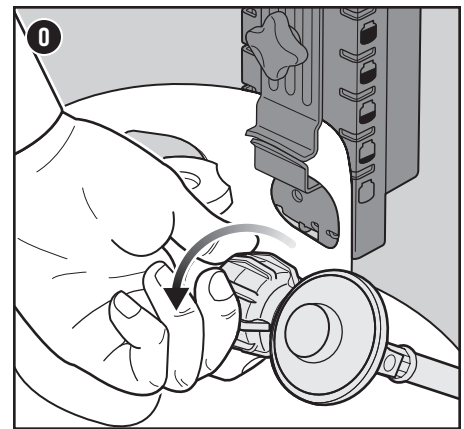
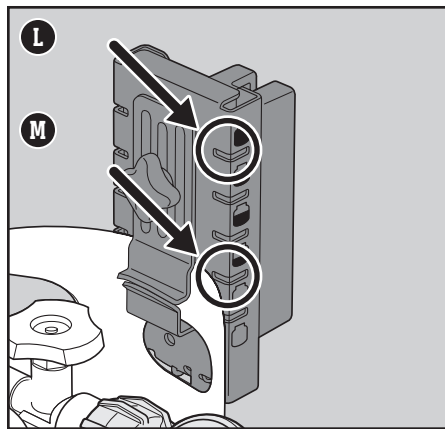
- 1) Confirm that the tank valve is fully closed. Close by turning valve clockwise (**N**).
- 2) Unscrew regulator coupling by turning counterclockwise by hand (**O**).
- 3) Loosen tank hand nut and turn tank lock up out of the way.
- 4) Lift tank off tank scale.

Additional Leak Check Precautions

The following fittings should be tested for gas leaks each time a tank is refilled and reinstalled:

- Where the regulator connects to the tank (**H**) and at the regulator (**I**).

Follow the instructions for "Checking for Gas Leaks".



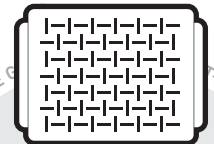
TONGS

Consider these to be an extension of your hand. The best tongs should have an effortless tension mechanism, comfortable hand grips, and a lock to keep them compact.



BRUSH AND MOP

Look for a basting brush with heat-resistant silicone bristles and a long handle, and a mop with long, cotton threads that sop up the thinner, vinegar-based sauces.



GRILLING PAN

Designed for food that is either too small or too delicate for the cooking grates, a perforated grilling pan keeps food right where it ought to be—on the grill, not in it.

The Very First Time You Grill

Perform an Initial Burn-Off

Heat the grill on the highest setting, with the lid closed, for at least 20 minutes prior to grilling for the first time.

Every Time You Grill

Meal-to-Meal Maintenance

The Meal-To-Meal Maintenance plan includes the following simple, yet important, steps that should always be performed prior to grilling.

Check for Grease

Your grill was built with a grease management system that funnels grease away from food and into a disposable container. As you cook, grease is channeled down the slide-out grease tray and into a disposable drip tray that lines the catch pan. This system should be cleaned each and every time you grill to prevent fires.

- 1) Confirm that the grill is off and cool.
- 2) Remove the slide-out grease tray by pulling the tray out of the cabinet (A). Remove excess grease with a plastic scraper.
- 3) Remove the catch pan. Check for excessive amounts of grease in the disposable drip pan that lines the catch pan. Discard disposable drip pan when necessary and replace with a new one.
- 4) Reinstall all components.

Inspect the Hose

Routine inspection of the hose is necessary.

- 1) Confirm that the grill is off and cool.
- 2) Check hose for any signs of cracking, abrasions, or cuts (B). If the hose is found to be damaged in any way, do not use the grill.

Preheat the Grill

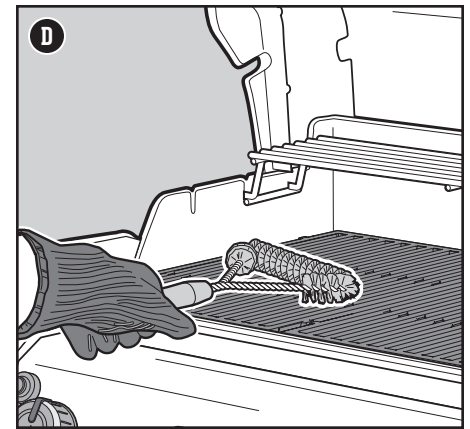
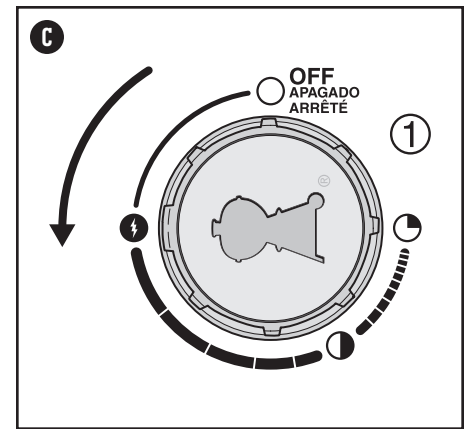
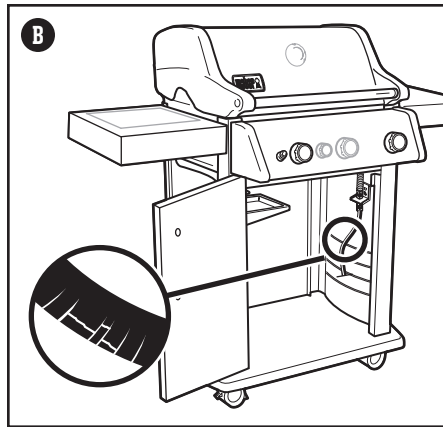
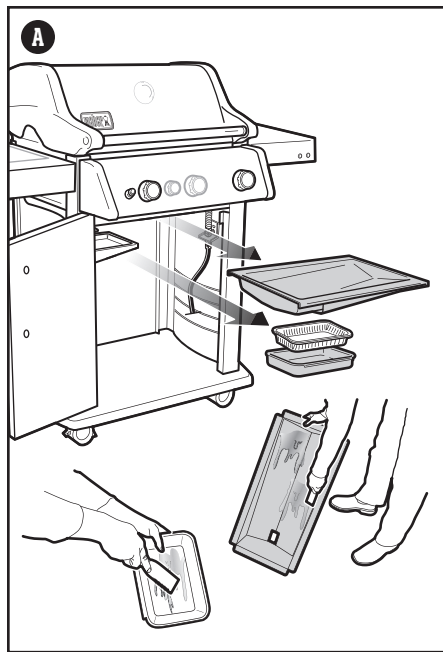
Preheating the grill is critical to successful grilling. Preheating helps to prevent food from sticking to the grate and gets the grate hot enough to sear properly. It also burns off residue of a previously cooked meal.

- 1) Open the grill lid.
- 2) Ignite your grill according to the ignition instructions in this Owner's Manual.
- 3) Close lid.
- 4) Preheat the grill with all burners on the start/high (1) position for 10 to 15 minutes or until thermometer registers 500° F (260° C) (C).

Clean the Cooking Grate

After preheating, any bits of food or debris left over from previous use will be easier to remove. Cleaned grates will also prevent your next meal from sticking.

- 1) Brush the grates with a stainless steel bristle grill brush immediately after preheating (D).



⚠ **DANGER:** Do not line the slide-out grease tray or cookbox with aluminum foil.

⚠ **DANGER:** Check the slide-out grease tray and catch pan for grease build-up before each use. Remove excess grease to avoid a grease fire.

⚠ **WARNING:** Use caution when removing catch pan and disposing of hot grease.

⚠ **WARNING:** Use heat-resistant barbecue mitts or gloves when operating grill.

⚠ **WARNING:** Grill brushes should be checked for loose bristles and excessive wear on a regular basis. Replace brush if any loose bristles are found on cooking grates or brush. WEBER recommends purchasing a new stainless steel bristle grill brush at the beginning of every spring.


⚠ **WARNING:** If the hose is found to be damaged in any way, do not use the grill. Replace using only WEBER authorized replacement hose.


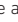
⚠ **WARNING:** Keep ventilation openings around tank clear and free of debris.

Igniting the Grill

Using the Crossover Ignition System to Ignite the Grill


The crossover ignition system ignites burner 1 furthest to the left with a spark from the igniter electrode. You generate the energy for the spark by pushing the igniter button. You will hear the igniter ticking. Burner(s) 2 (and 3) can be lit after burner 1 is lit. All burners should be lit for preheating, however, all burners do not have to be lit while grilling.

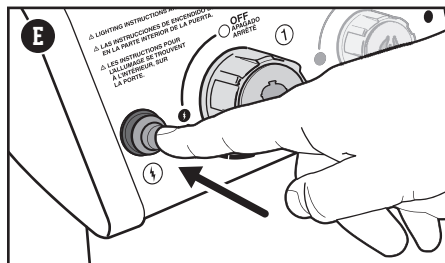
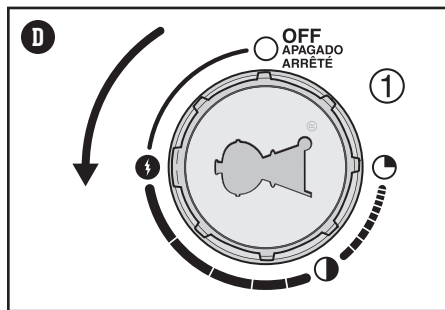
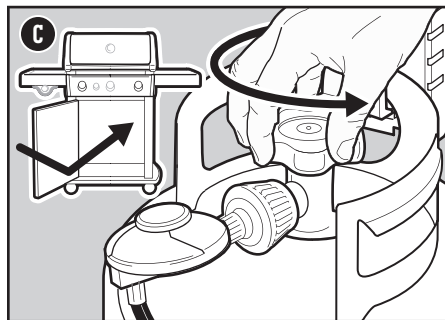
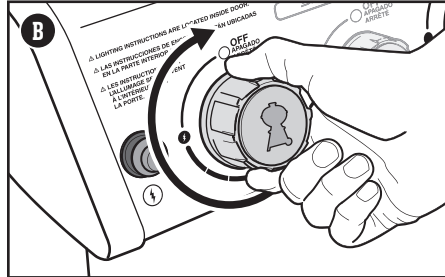
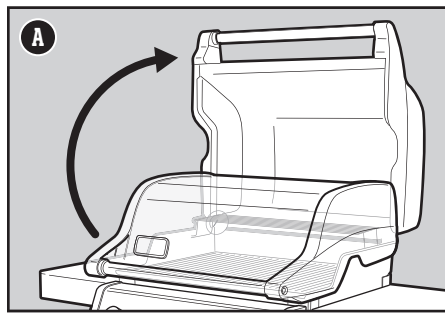
- 1) Open the grill lid (A).
- 2) Check that all burner control knobs are in the off  position. Check by pushing in and turning knobs clockwise (B).
Note: It is important that all burner control knobs are in the off position before turning on the LP tank. If they are not, the flow limiting device built into the regulator will activate, limiting the flow of gas from the LP tank.
- 3) Turn the LP tank on by slowly turning the tank valve counterclockwise; wait 60 seconds (C).
Note: It is important that the LP tank is turned on slowly. If it is opened too quickly, the flow limiting device built into the regulator will activate, limiting the flow of gas from the LP tank.

- 4) Begin with burner 1 furthest to the left. Push the burner control knob in and turn it counterclockwise to the start/high  position (D).
IMPORTANT: Always ignite burner 1 first. The other burner(s) ignite from burner 1.
- 5) Push and hold the electronic ignition button (E). You will hear it ticking.
- 6) Check that burner 1 is lit by looking through the cooking grates and through the cutout in the FLAVORIZER BARS.
- 7) If the burner does not ignite, turn burner control knob to the off  position and wait five minutes to allow the gas to clear before attempting to light the burner again.

8) When burner 1 ignites, you can turn on burner 2 (and burner 3).
Should the burners fail to ignite using the electronic ignition, refer to the TROUBLESHOOTING section. There you will find instructions on igniting the grill with a match to help determine the exact problem.

To Extinguish Burners

- 1) Push each burner control knob in and then turn clockwise all the way to the off  position.
- 2) Turn gas supply off at the LP tank.



⚠ WARNING: Open lid during ignition.

⚠ WARNING: Do not lean over open grill while igniting or cooking.

⚠ WARNING: If ignition does not occur within four seconds of attempting to light the first burner, turn the burner control knob to the off position. Wait five minutes to allow accumulated gas to dissipate, and then repeat the lighting procedure.

Cleaning and Maintenance

Cleaning the Inside of the Grill

Over time, the performance of your grill can diminish if it has not been maintained properly. Low temperatures, uneven heat, and food sticking to cooking grates are all signs that cleaning and maintenance are overdue. When your grill is off and cool, start by cleaning the inside, from the top down. A thorough cleaning is recommended at least twice a year. Consistent use may require quarterly cleanings.

Cleaning the Lid

From time to time you may notice "paint-like" flakes on the inside of the lid. During use, grease and smoke vapors slowly change into carbon and deposit on the inside of your lid. These deposits will eventually peel, and looks very similar to paint. These deposits are non-toxic, but the flakes could fall onto your food if you do not clean the lid regularly.

- 1) Brush the carbonized grease from the inside of the lid with a stainless steel bristle grill brush (A). To minimize further build-up, the inside of the lid can be wiped with a paper towel after grilling while the grill is still warm (not hot).

Cleaning the Cooking Grates

If you have been cleaning your cooking grates as recommended, the debris on your grates should be minimal.

- 1) With grates installed, brush the debris off your cooking grate with a stainless steel bristle grill brush (B).
- 2) Take the grates out and set aside.

Cleaning the FLAVORIZER BARS

FLAVORIZER BARS catch drippings that smoke and sizzle, adding flavor to your food. Any drippings that are not vaporized by the FLAVORIZER BARS are funneled away from the burners. This helps prevent flare-ups inside of your grill, and protects the burners from getting clogged.

- 1) Scrape the FLAVORIZER BARS with a plastic scraper (C).
- 2) If necessary, brush the FLAVORIZER BARS with a stainless steel bristle grill brush.
- 3) Remove FLAVORIZER BARS and set aside.

Cleaning the Burners

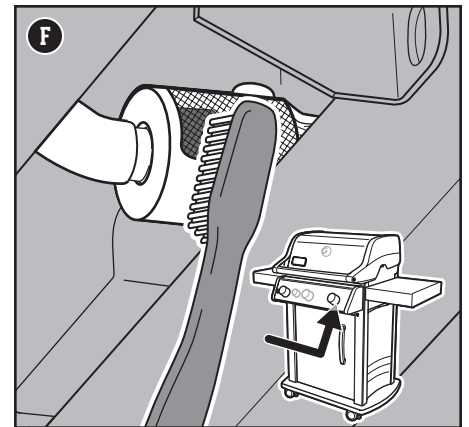
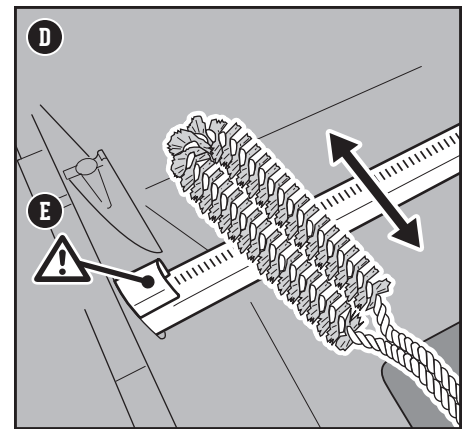
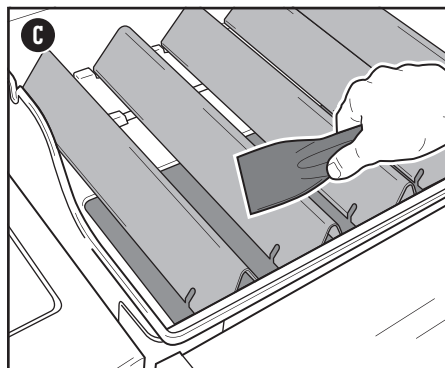
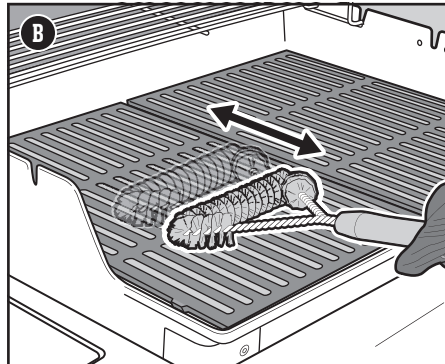
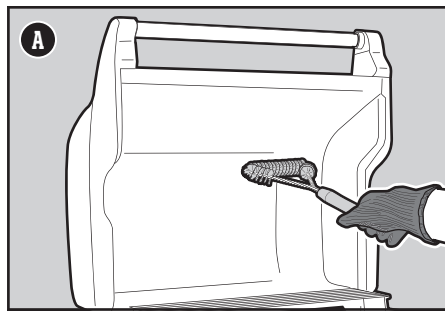
Two areas on the burners that are key to optimum performance are the ports (small openings running along the length of the burners) and the spider/insect screens on the ends of the burner. Keeping these areas clean is essential for safe operation.

Cleaning the Burner Ports

- 1) Use a clean stainless steel bristle grill brush to clean the outside of the burners by brushing across the top of the burner ports (D). Do not brush lengthwise along the tube, as this will only brush debris from one port to another.
- 2) When cleaning burner 1, avoid damaging the ignition electrode by carefully brushing around it (E).

Cleaning the Spider Screens

- 1) Locate the ends of the burners on the underside of the control panel where they meet the valves.
- 2) Clean the spider/insect screens on each of the burners using a soft bristle brush (F).



⚠ **WARNING:** Turn your grill off and wait for it to cool before thoroughly cleaning.

⚠ **WARNING:** Over time, the development of rough surfaces can form on the FLAVORIZER BARS. Wearing gloves is recommended when handling. Do not clean FLAVORIZER BARS or cooking grates in a sink, dishwasher, or self-cleaning oven.

⚠ **WARNING:** When cleaning the burners, never use a brush that has already been used to clean the cooking grates. Never put sharp objects into the burner port holes.

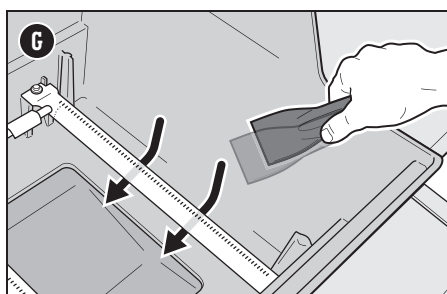
⚠ **CAUTION:** Do not place any grill components onto the side tables as they may scratch the paint or stainless steel surfaces.

⚠ **CAUTION:** Do not use any of the following to clean your grill: abrasive stainless steel polishes or paints, cleaners that contain acid, mineral spirits or xylene, oven cleaner, abrasive cleansers (kitchen cleansers), or abrasive cleaning pads.

Cleaning the Cookbox

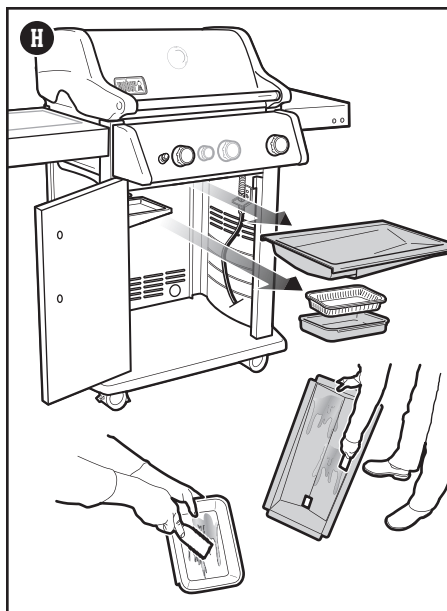
Look inside the cookbox for any grease accumulation or leftover food particles. Excessive accumulation can cause a fire.

- 1) Use a plastic scraper to scrape debris off the sides and bottom of the grill into the opening in bottom of the cookbox (G). This opening leads debris into the slide-out catch pan.



Cleaning the Grease Management System

The grease management system consists of an angled slide-out grease tray and a catch pan (H). These components were designed to be easily removed, cleaned, and replaced; an essential step every time you prepare to grill. Instructions on inspecting the grease management system can be found in MEAL-TO-MEAL MAINTENANCE.



Cleaning the Outside of the Grill

The outside of your grill may include stainless steel, porcelain-enameled, and plastic surfaces. WEBER recommends the following methods based on the surface type.

Cleaning Stainless Steel Surfaces

Clean stainless steel using a non-toxic, non-abrasive stainless steel cleaner or polish designed for use on outdoor products and grills. Use a microfiber cloth to clean in the direction of the grain of the stainless steel. Do not use paper towels.

Note: Do not risk scratching your stainless steel with abrasive pastes. Pastes do not clean or polish. They will change the color of the metal by removing the top chromium oxide film coating.

Cleaning Painted, Porcelain-Enameled Surfaces and Plastic Components

Clean painted, porcelain-enameled and plastic components with warm soapy water, and paper towels or cloth. After wiping down the surfaces, rinse and dry thoroughly.

Cleaning the Outside of Grills that are in Unique Environments

If your grill is subject to a particularly harsh environment, you will want to clean the outside more often. Acid rain, pool chemicals, and salt water can cause surface rusting to appear. Wipe down the outside of your grill with warm soapy water. Follow up with a rinse and thorough drying. Additionally, you may want to apply a stainless steel cleaner weekly to prevent surface rust.

FOIL PANS
Perfect for lining the catch pan to make cleanup convenient and easy.

THERMOMETER
Small and relatively inexpensive, this gadget is essential for quickly gauging the internal temperature of the meat when grilling.

GRILL BRUSH
A must-use before you even dream of grilling. A quick once-over on hot grates prevents the charred remains of meals past from sticking to your meals present.

GRILL WILL NOT IGNITE

SYMPTOM

• Burner does not ignite when following the electronic ignition instructions in the “Operation” section of this Owner’s Manual.

CAUSE

There is a problem with gas flow.

SOLUTION

If the grill will not ignite, the first step is to determine if there is gas flowing to the burners. To check this, follow the instructions below for “Using a Match to Determine if there is Gas Flow to the Burners.”

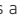
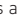


If **match lighting IS NOT successful**, follow the gas flow troubleshooting suggestions on the next page.

There is a problem with the electronic ignition system.

If the grill will not ignite, the first step is to determine if there is gas flowing to the burners. To check this, follow the instructions below for “Using a Match to Determine if there is Gas Flow to the Burners.”

If **match lighting IS successful**, follow the instructions below for “Checking the Components of the Electronic Ignition System.”

Using a Match to Determine if there is Gas Flow to the Burners

- 1) Open the grill lid.
- 2) Check that all burner control knobs are in the off  position. Check by pushing in and turning knobs clockwise.
Note: It is important that all burner control knobs be in the off  position before you turn on the LP tank. If they are not, the flow limiting device built into the regulator will activate, limiting the flow of gas from the LP tank.
- 3) Turn the LP tank on by slowly turning the tank valve counterclockwise; wait 60 seconds.
Note: It is important that the LP tank is turned on slowly. If it is opened too quickly, the flow limiting device built into the regulator will activate, limiting the flow of gas from the LP tank.
- 4) Begin with burner 1, furthest to the left. Put match in the matchstick holder and strike match. Insert lit match down through the cooking grates, past the FLAVORIZER BARS and next to the burner **(A)**.
- 5) Push the burner control knob in and turn it counterclockwise to the start/high  position.
- 6) Check that the burner is lit by looking through the cooking grates and through the cutout in the FLAVORIZER BARS **(B)**.
- 7) If the burner does not ignite within 4 seconds, turn burner control knob to the off  position and wait five minutes to allow the gas to clear before attempting to light the burner again. If repeated attempts fail, follow the gas flow troubleshooting instructions on the next page.
- 8) If the burner ignites, the problem lies in the ignition system. Follow the instructions for “Checking the Components of the Electronic Ignition System.”
- 9) After burner 1 ignites, you can turn on burner 2 (and burner 3).

Checking the Components of the Electronic Ignition System

When pressing the ignition button you should hear a ticking sound. If you cannot hear the ticking sound, check the battery, then check the wires.

Checking the Battery

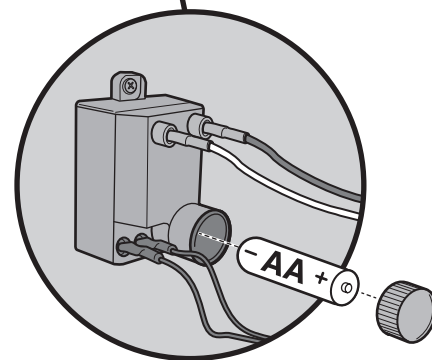
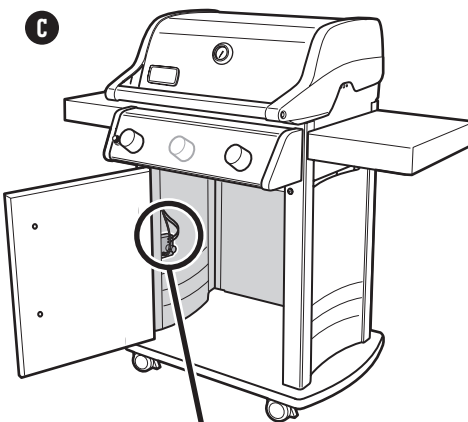
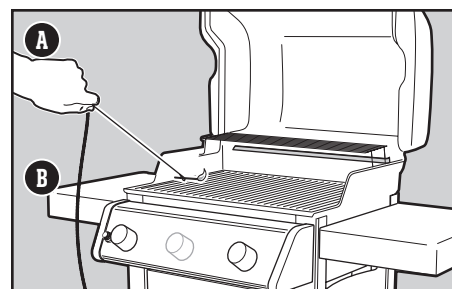
There are three potential issues with the battery that supplies the power to your ignition module that need to be checked:

- 1) Some batteries have a plastic protective wrap around them. (Do not confuse this plastic with the battery label.) Check that this plastic wrap is removed.
- 2) Confirm that the battery is installed correctly **(C)**.
- 3) If the battery is old, replace it with a new battery.

Checking the Wires

There are two potential trouble spots that need to be checked:

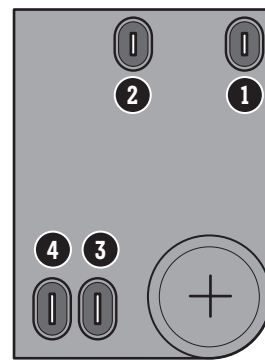
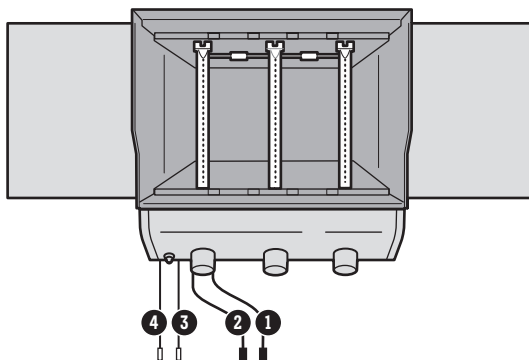
- 1) Check that the ignition wires are connected securely to the terminals on the ignition button under the control panel.
- 2) Make sure the ignition wires are properly attached to the ignition module. The wire terminals are color coded to correspond with the terminals on the ignition module. The number of wires will vary per model.



REPLACEMENT PARTS

To obtain replacement parts, contact the local retailer in your area or log onto weber.com.

Igniter Module Wire Chart



GAS FLOW

SYMPTOM

- Grill does not reach desired temperature or heats unevenly.
- One or more of the burners fail to ignite.
- Flame is low when burner is on high position.
- Flames do not run the whole length of the burner.
- Burner flame pattern is erratic.

CAUSE

SOLUTION

The "flow limiting device" has been activated. This safety feature built into the regulator restricts the gas flow in the event of a gas leak. You can inadvertently activate this safety feature without having a gas leak. This typically occurs when you turn on the gas at the LP tank and one or more of the control knobs are not in the off position. It may also occur if you turn on the LP tank too quickly.

Reset the "flow limiting device" by closing the LP tank valve and turning all the burner control knobs to the off O position. Wait five minutes to allow accumulated gas to dissipate, then ignite the grill again following the instructions in the "Operation" section.

The LP tank is low or empty.

Refill LP tank.

Fuel hose is bent or kinked.

Straighten fuel hose.

Burner ports are dirty.

Clean burner ports. Refer to "Cleaning the Burner Ports."

SYMPTOM

- Gas is smelled in conjunction with burner flames that appear yellow and lazy.

CAUSE

SOLUTION

Spider screens on the burners are obstructed.

Clean spider screens. Refer to "Cleaning the Spider Screens" in the Product Care section. Also refer to the illustrations and information in this section about proper flame pattern and spider screens.

SYMPTOM

- The smell of gas and/or a light hissing sound.

CAUSE

SOLUTION

The internal rubber seal in the LP tank valve could be damaged.

Extinguish any open flame. Shut off gas to the appliance (grill). Inspect the rubber seal for damage. If damaged, return tank to place of purchase.

Connection between regulator and LP tank could be incomplete.

Extinguish any open flame. Shut off gas to the appliance (grill). Refer to LP TANK INSTALLATION & LEAK CHECKING section of your owner's manual.

GREASY GRILL (Peeling Paint & Flare-Ups)

SYMPTOM

- Inside of lid appears to have the appearance of peeling paint.

CAUSE

SOLUTION

The flakes you see are accumulated cooking vapors that have turned into carbon.

This happens over time after repeated use of your grill. This is not a defect. Clean the lid. Refer to the "Product Care" section.

SYMPTOM

- Experiencing flare-ups when grilling or preheating.

CAUSE

SOLUTION

There is leftover food from the previous meal.

Always preheat the grill on the highest setting for 10 to 15 minutes.

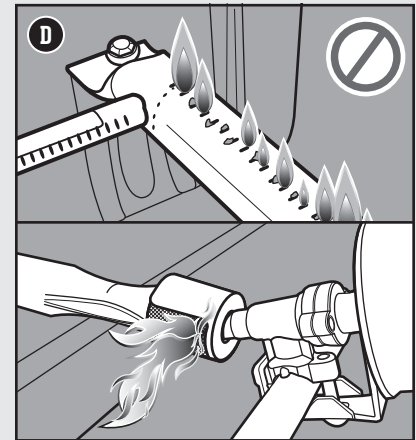
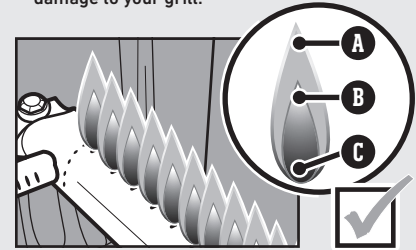
The inside of the grill needs to be cleaned thoroughly.

Follow the steps in the "Cleaning and Maintenance" section to clean the grill inside from the top down.

Proper Burner Flame Pattern

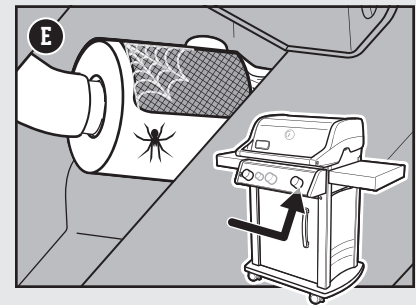
The burners in your grill were factory set for the correct air and gas mixture. When the burners are performing correctly, you will see a specific flame pattern. The tips may occasionally flicker yellow (A), with a descending light blue (B) to dark blue flame (C).

⚠ WARNING: Blocked and dirty ports can restrict full gas flow, resulting in a fire (D) in and around the gas valves, causing serious damage to your grill.



Spider Screens

The combustion air openings of the burners (E) are fitted with stainless steel screens to prevent spiders and other insects from spinning webs and building nests inside the burners. Additionally, dust and debris can accumulate on the outside of the spider/insect screen and obstruct the oxygen flow to the burners.



CALL CUSTOMER SERVICE






If you are still experiencing any problems, contact the Customer Service Representative in your area using the contact information on weber.com.

⚠ WARNING: Do not attempt to make any repair to gas carrying, gas burning, ignition components or structural components without contacting Weber-Stephen Products LLC, Customer Service Department.

⚠ WARNING: Failure to use genuine Weber-Stephen parts for any repair or replacement will void all warranty protection.

⚠ CAUTION: The burner tube openings must be positioned properly over the valve orifices.

Grilling Guide

Type	Thickness/Weight	Approximate Total Grill Time
 RED MEAT		
	¾ inch (19 mm) thick	4 to 6 minutes direct high heat
Steak: New York strip, porterhouse, rib-eye, T-bone, and filet mignon (tenderloin)	1 inch (25 mm) thick	6 to 8 minutes direct high heat
	2 inches (5 cm) thick	14 to 18 minutes sear 6 to 8 minutes direct high heat, then 8 to 10 minutes indirect high heat
Flank Steak	1½ to 2 pounds (0,68 - 0,91 kg), ¾ inch (19 mm) thick	8 to 10 minutes direct medium heat
Ground Beef Patty	¾ inch (19 mm) thick	8 to 10 minutes direct medium heat
Tenderloin	3 to 4 pounds (1,36 - 1,81 kg)	45 to 60 minutes 15 minutes direct medium heat, then 30 to 45 minutes indirect medium heat
 PORK		
Bratwurst: fresh	3 ounce (85 g) link	20 to 25 minutes direct low heat
	¾ inch (19 mm) thick	6 to 8 minutes direct high heat
Chop: boneless or bone in	1¼ to 1½ inches (3,18 - 3,81 cm) thick	10 to 12 minutes sear 6 minutes direct high heat, then 4 to 6 minutes indirect high heat
Ribs: baby back, spareribs	3 to 4 pounds (1,36 - 1,81 kg)	1½ to 2 hours indirect medium heat
Ribs: country-style, bone in	3 to 4 pounds (1,36 - 1,81 kg)	1½ to 2 hours indirect medium heat
Tenderloin	1 pound (0,45 kg)	30 minutes sear 5 minutes direct high heat, then 25 minutes indirect medium heat
 POULTRY		
Chicken Breast: boneless, skinless	6 to 8 ounces (170-226 g)	8 to 12 minutes direct medium heat
Chicken Thigh: boneless, skinless	4 ounces (113g)	8 to 10 minutes direct medium heat
Chicken Pieces: bone in, assorted	3 to 6 ounces (85-170 g)	36 to 40 minutes 6 to 10 minutes direct low heat, then 30 minutes indirect medium heat
Chicken: whole	4 to 5 pounds (1,81-2,27 kg)	1 to 1¼ hours indirect medium heat
Cornish Game Hen	1½ to 2 pounds (0,68-0,91 kg)	60 to 70 minutes indirect medium heat
Turkey: whole, unstuffed	10 to 12 pounds (4,54-5,44 kg)	2 to 2½ hours indirect medium heat
 SEAFOOD		
Fish, Fillet, or Steak: halibut, red snapper, salmon, sea bass, swordfish, and tuna	¾ to ½ inch (6,35-12,7 mm) thick	3 to 5 minutes direct medium heat
	1 to 1¼ inches (25-31 mm) thick	10 to 12 minutes direct medium heat
Fish: whole	1 pound (0,45 kg)	15 to 20 minutes indirect medium heat
	3 pounds (1,36 kg)	30 to 45 minutes indirect medium heat
Shrimp	1½ ounces (42,5 g)	2 to 4 minutes direct high heat
 VEGETABLES		
Asparagus	½ inch (12,7 mm) diameter	6 to 8 minutes direct medium heat
	in husk	25 to 30 minutes direct medium heat
Corn	husked	10 to 15 minutes direct medium heat
	shiitake or button	8 to 10 minutes direct medium heat
Mushroom	portobello	10 to 15 minutes direct medium heat
	halved	35 to 40 minutes indirect medium heat
Onion	½ inch (12,7 mm) slices	8 to 12 minutes direct medium heat
	whole	45 to 60 minutes indirect medium heat
Potato	½ inch (12,7 mm) slices	9 to 11 minutes parboil 3 minutes, then 6 to 8 minutes direct medium heat

The cuts, thicknesses, weights, and grilling times above are meant to be guidelines. Factors such as altitude, wind, and outside temperature can affect cooking times. Two rules of thumb: Grill steaks, fish fillets, boneless chicken pieces, and vegetables using the direct method for the time given on the chart (or to the desired doneness), turning food once halfway through grilling time. Grill roasts, whole poultry, bone-in poultry pieces, whole fish, and thicker cuts using the indirect method for the time given on the chart (or until an instant-read thermometer registers the desired internal temperature). Cooking times for beef and lamb use the USDA's definition of medium doneness unless otherwise noted. Before carving, let roasts, larger cuts of meat, and thick chops and steaks rest for 5 to 10 minutes after cooking. The internal temperature of the meat will rise by 5 to 10 degrees during this time.



SPIRIT

E-215 • E-315 • S-315

MANUAL DEL PROPIETARIO (LP)



¡Descarga la app WEBER Grills!

Sube a bordo con la app gratuita WEBER Grills. La app WEBER Grills es la respuesta a tus dudas acerca de la cocina a la parrilla y contiene información acerca de todo: desde la instalación del tanque de gas hasta tu primera sesión de asado al aire libre. Personalízala según tu modelo exacto y tus gustos registrando tu asador. Para ello, sólo tienes que contestar unas cuantas preguntas sencillas.



- Ayuda para configurar tu asador e instalar el tanque de gas
- Temporizadores y herramientas
- Recetas para todos los gustos
- Técnicas y guías de cocina a la parrilla
- Menús/recetas de temporada

Guarda este manual del propietario para poder consultarlo en el futuro, léelo íntegramente y, si tienes alguna duda, contacta hoy con nosotros.

esMX - Spanish

¡Te damos la bienvenida a la familia WEBER!

Asegúrate de leer este manual del propietario y descargar gratis la app WEBER Grills, y estarás listo para cocinar de todo en tu asador antes de lo que imaginas. La app WEBER Grills es la respuesta a todas tus dudas acerca de la cocina a la parrilla. Desde la instalación del tanque de gas hasta las mejores recetas, pasando por la configuración de las funciones personalizables, úsala para emprender tu viaje al calor de las llamas y no mires atrás.

¡Gracias por elegir WEBER!

Información importante sobre seguridad

Los avisos encabezados por las palabras **PELIGRO**, **ADVERTENCIA** y **PRECAUCIÓN** se emplean a lo largo de este manual del propietario para poner de manifiesto información crítica e importante. Lea y respete tales avisos para garantizar la seguridad durante el uso y evitar posibles daños materiales. Dichos avisos se describen a continuación.

- ⚠ **PELIGRO:** Indica una situación peligrosa que, de no evitarse, *provocará muertes o lesiones graves.*
- ⚠ **ADVERTENCIA:** Indica una situación peligrosa que, de no evitarse, *puede provocar muertes o lesiones graves.*
- ⚠ **PRECAUCIÓN:** Indica una situación peligrosa que, de no evitarse, *puede provocar lesiones leves o moderadas.*

⚠ PELIGRO

Si percibe olor a gas:

- Interrumpa el suministro de gas al aparato (asador).
- Extinga las llamas prendidas.
- Abra la tapa.
- Si el olor no se disipa, manténgase alejado del aparato (asador) y avise inmediatamente a su proveedor de gas o el departamento de bomberos.

⚠ ADVERTENCIA

- No guarde ni use gasolina u otros líquidos o vapores inflamables cerca de este aparato (asador) o cualquier otro.
- Evite guardar botellas (tanques) de LP no conectadas para su uso cerca de este aparato (asador) o cualquier otro.

SÓLO APTO PARA EL USO AL AIRE LIBRE.
LEA LAS INSTRUCCIONES ANTES DE USAR EL APARATO (ASADOR).

AVISO PARA EL INSTALADOR: Entregue estas instrucciones al consumidor.

AVISO PARA EL CONSUMIDOR: Guarde estas instrucciones para poder consultarlas en el futuro.

Instalación y montaje

- ⚠ **PELIGRO:** Este asador no ha sido diseñado para su instalación en el interior o encima de vehículos o embarcaciones recreativas.
- ⚠ **ADVERTENCIA:** Se prohíbe el uso de este asador a menos que estén instaladas todas las piezas y el asador se haya montado de acuerdo con las instrucciones de montaje.
- ⚠ **ADVERTENCIA:** No instale este modelo de asador en una estructura empotrada o móvil.
- ⚠ **ADVERTENCIA:** No modifique el aparato (asador). El gas propano líquido no es un gas natural. La conversión o el intento de uso de gas natural en un equipo de gas propano líquido, o gas propano líquido en un equipo de gas natural, no es seguro y constituye un motivo de invalidación de la garantía.
- En Estados Unidos, la instalación debe tener lugar de acuerdo con los códigos locales en vigor o, en ausencia de códigos locales, de conformidad con las siguientes normas, según corresponda: "National Fuel Gas Code, ANSI Z223.1/NFPA 54, Natural Gas and Propane Installation Code, CSA B149.1"; "Propane Storage and Handling Code, B149.2"; o "Standard for Recreational Vehicles, ANSI A119.2/NFPA 1192, CSA Z240 RV Series, Recreational Vehicle Code".
- En Canadá, la instalación de este asador debe cumplir los requisitos establecidos por los códigos locales y/o la edición más reciente de la norma "CAN/CSA-B149.2 (Propane Storage and Handling Code)". En los casos en los que se considera generalmente aceptable, estas instrucciones no cumplen necesariamente los códigos de instalación canadienses, en particular en relación con la instalación de tuberías en tierra y bajo tierra.

- En México, si existen códigos locales en materia de aparatos portátiles de gas, deberán cumplirse los requisitos establecidos por la edición más reciente de la Norma Oficial Mexicana (NOM).
- Si se emplea una fuente eléctrica externa (por ejemplo, para alimentar un asador giratorio), esta deberá conectarse eléctricamente a tierra de acuerdo con los códigos locales o, en ausencia de códigos locales, de conformidad con los códigos "National Electrical Code, ANSI/NFPA 70" o "Canadian Electrical Code, Part 1, CSA C22.1".

Operación

- ⚠ **PELIGRO:** El uso de este asador sólo debe tener lugar al aire libre, en áreas bien ventiladas. Se prohíbe el uso en garajes, edificios, pasajes cubiertos, tiendas de campaña y otras áreas cerradas, así como bajo tejados combustibles.
- ⚠ **PELIGRO:** Se prohíbe el uso del asador en vehículos, así como en las áreas de almacenamiento o carga de los mismos. Lo anterior hace referencia a automóviles, camiones, camionetas, minivans, utilitarios deportivos, vehículos y embarcaciones recreativas, etc.
- ⚠ **PELIGRO:** Se prohíbe el uso del asador (incluidos sus extremos superior, inferior, posterior y laterales) a menos de 24 in (61 cm) de materiales combustibles.
- ⚠ **PELIGRO:** Mantenga el área destinada a la preparación de alimentos libre de vapores y líquidos inflamables, como gasolina, alcohol, etc., así como de materiales combustibles.
- ⚠ **PELIGRO:** Este aparato (asador) debe mantenerse alejado de materiales inflamables de todo tipo durante el uso.
- ⚠ **PELIGRO:** No coloque la funda del asador ni ningún otro objeto inflamable dentro o encima del espacio de almacenamiento situado bajo el mismo durante el uso del asador o mientras este se encuentre caliente.
- ⚠ **PELIGRO:** Si la grasa liberada por los alimentos provocase un incendio, apague todos los quemadores y mantenga la tapa cerrada hasta que las llamas se extingan.
- ⚠ **ADVERTENCIA:** Las piezas al alcance del usuario pueden estar muy calientes. Los niños deben permanecer alejados del aparato.
- ⚠ **ADVERTENCIA:** El consumo de alcohol, medicamentos (bajo supervisión médica o no) y drogas ilegales puede afectar a la capacidad del usuario para montar, desplazar, guardar y usar el asador correctamente y con seguridad.
- ⚠ **ADVERTENCIA:** Debe prestarse atención al asador tanto durante el precalentamiento como durante el uso. El uso de este asador exige precaución. El compartimento de asado alcanza temperaturas muy elevadas durante el uso.
- ⚠ **ADVERTENCIA:** No desplace el aparato (asador) durante el uso.
- ⚠ **ADVERTENCIA:** Mantenga los cables de alimentación eléctrica y las mangueras de suministro de combustible alejados de las superficies calientes.
- Se prohíbe el uso de carbón o rocas de lava en este asador.

Almacenamiento y/o desuso

- ⚠ **ADVERTENCIA:** Interrumpa el suministro de gas cerrando la llave de la botella (tanque) de gas tras el uso.
- ⚠ **ADVERTENCIA:** Los tanques de LP deben almacenarse al aire libre, lejos del alcance de los niños, y no en edificios, garajes u otros espacios cerrados.
- ⚠ **ADVERTENCIA:** Tras un período de almacenamiento y/o desuso, debe comprobarse el asador para determinar si sufre fugas de gas u obstrucciones en los quemadores antes del uso.
- El almacenamiento del asador en interiores sólo se permite si el tanque de LP se desconecta del asador y se extrae del mismo.

Propuesta 65 del estado de California

- ⚠ **ADVERTENCIA:** Los productos derivados de la combustión que tiene lugar durante el uso de este producto contienen sustancias químicas que, según el estado de California, provocan cáncer, defectos de nacimiento y otras lesiones reproductivas.
- ⚠ **PROPUESTA 65 ADVERTENCIA:** La manipulación de las piezas de bronce que contiene este producto expone al usuario al contacto con plomo, un elemento químico que, según el estado de California, provoca cáncer, defectos de nacimiento y otras lesiones reproductivas. *Lávese las manos tras manipular este producto.*

Aplica solo a los clientes en México:

Debe leer esta guía del propietario antes de poner a funcionar el asador de gas.

⚠ PELIGRO:

Si huele a gas:

1. Cierre el suministro de gas al artefacto.
2. Apague todas las flamas cerrando la válvula general de paso.
3. Abra la tapa.
4. No accione interruptores eléctricos.
5. Llame inmediatamente a la central de fugas o a su proveedor de gas.
6. Una fuga de gas puede provocar un incendio o explosión que puede resultar en lesiones corporales serias o la muerte, o daños a la propiedad.

⚠ ADVERTENCIA:

Este aparato no debe ser utilizado como calentador de ambiente, sólo se debe utilizar para cocinar alimentos.

⚠ ADVERTENCIA:

Estos productos trabajan a una presión de 2,75 kPa.

2 Quemadores Principales de: 13 980 kJ/h

3 Quemadores Principales de: 11 254 kJ/h

⚠ ADVERTENCIA:

- No almacene gasolina u otros fluidos flamables en la cercanía de su aparato.
- Ningún cilindro de gas que no esté conectado para su uso deberá almacenarse cerca de éste o cualquier otro artefacto doméstico.
- No obstruir la salida de los gases de combustión del asador.
- No debe utilizarse como calefactor de ambiente.
- Mantener los alrededores del aparato libres de materiales combustibles, gasolina y otros vapores o líquidos flamables.

ÍNDICE

20 Bienvenido a WEBER
Información importante sobre seguridad

22 La promesa de WEBER
Garantía

23 Características del producto
SPIRIT : Características

24 Consejos y sugerencias
La llama: directa o indirecta
Qué hacer y qué no hacer al cocinar a la parrilla

26 Primeros pasos
Información importante acerca del gas LP y las conexiones de gas
Instalación de un tanque de LP y prueba de fugas
Rellenar o sustituir un tanque de LP

30 Operación
La primera vez que uses el asador
Cada vez que cocines a la parrilla
Encendido del asador

32 Mantenimiento del producto
Limpieza y mantenimiento

34 Resolución de problemas

36 Guía de cocina a la parrilla

55 Piezas de repuesto



Garantía

Garantía Limitada

Gracias por adquirir un producto WEBER. Weber-Stephen Products LLC, 1415 S. Roselle Road, Palatine, Illinois 60067, EE. UU. (en adelante, "WEBER"), se enorgullece de fabricar productos seguros, duraderos y confiables.

Modelo: Fecha de compra o instalación:

WEBER ofrece esta Garantía Limitada (la "Garantía") sin costo adicional. Aquí encontrará la información necesaria si su producto WEBER requiere reparación, en el caso improbable de que sufra una falla o un defecto.

Según la legislación vigente, el cliente tiene diversos derechos en caso de que el producto resulte defectuoso. Tales derechos incluyen desempeño complementario o sustitución, rebaja del precio de compra y compensación. Las cláusulas de esta Garantía no afectan a tales derechos legales ni a ningún otro. De hecho, esta Garantía proporciona al Propietario derechos que van más allá de los que le otorga la garantía legal.

GARANTÍA LIMITADA DE WEBER

WEBER garantiza al comprador del producto WEBER (o, en caso de que sea un regalo o promoción, la persona para quien haya sido adquirido como regalo o artículo promocional) (en adelante, el "Propietario") que este se encontrará libre de defectos de materiales y mano de obra durante los períodos de tiempo especificados a continuación, siempre que su armado y uso tengan lugar de acuerdo con el manual del usuario que lo acompaña, quedando excluidos el desgaste y deterioro normales. (Nota: En caso de pérdida o extravío del manual del usuario del producto WEBER, puede descargar una copia en línea desde www.weber.com). WEBER acepta, en el marco de esta Garantía, reparar o sustituir las partes defectuosas en cuanto a materiales o mano de obra, con las limitaciones y exclusiones descritas a continuación. EN LA MEDIDA EN QUE LO PERMITA LA LEGISLACIÓN APLICABLE, ESTA GARANTÍA SOLO SERÁ VÁLIDA PARA EL COMPRADOR ORIGINAL Y NO PODRÁ TRANSFERIRSE A POSTERIORES PROPIETARIOS, EXCEPTO EN CASO DE REGALO O ENTREGA COMO ARTÍCULO PROMOCIONAL, SEGÚN LO DESCRITO ANTERIORMENTE.

WEBER respalda sus productos y ofrece con gusto la Garantía descrita frente a defectos de materiales en el asador o sus componentes, quedando excluidos el desgaste y deterioro normales.

- Se entiende que constituyen "desgaste y deterioro normales" los deterioros estéticos e inmateriales que se deriven de la propiedad prolongada del asador, como la oxidación de las superficies, las abolladuras/rayones, etc.

WEBER, no obstante, cumplirá sus obligaciones según esta Garantía en relación con el asador y sus componentes en caso de daño o mal funcionamiento como consecuencia de defectos de materiales.

- Se entiende que constituyen "defectos de materiales" el agrietamiento por corrosión o combustión de ciertas partes, así como otros daños o fallas que impidan usar el asador con seguridad/de un modo apropiado.

RESPONSABILIDADES DEL PROPIETARIO BAJO ESTA GARANTÍA

A fin de asegurar la debida cobertura de la Garantía, es importante (aunque no obligatorio) registrar el producto WEBER en línea en www.weber.com. Deben conservarse el recibo y/o la factura de compra originales. Al registrar el producto WEBER, se confirma la cobertura de la Garantía y se establece un vínculo directo con WEBER que el fabricante puede usar si necesita contactar con el Propietario. Si no tuvo tiempo de registrar su asador antes de solicitar el servicio de Garantía, prepare la siguiente información antes de llamar:

Nombre, dirección, teléfono, correo electrónico, número de serie, fecha de compra, distribuidor, modelo, color y principal problema.

La Garantía anterior solo será válida si el Propietario cuida razonablemente el producto WEBER de acuerdo con las instrucciones de armado, las instrucciones de uso y las indicaciones de mantenimiento preventivo descritas en el manual del usuario que lo acompaña, a menos que el Propietario pueda demostrar que la falla o el defecto no guarda relación con el incumplimiento de tales obligaciones. Si el producto se instala en una zona costera o cerca de una alberca, el lavado y enjuague periódicos de las superficies exteriores se considerarán parte del mantenimiento, según lo descrito en el manual del usuario.

GESTIONES EN GARANTÍA Y SITUACIONES NO CUBIERTAS

Si cree estar en una situación cubierta por esta Garantía, contacte con el Servicio de Atención al Cliente de WEBER usando la información de contacto disponible en nuestro sitio web (www.weber.com) o el sitio web correspondiente al país de residencia del Propietario). Luego de llevar a cabo las investigaciones que correspondan, WEBER reparará o sustituirá (a decisión propia) la parte defectuosa cubierta por esta Garantía. En caso de que la reparación o sustitución no sea posible, WEBER podrá (a decisión propia) reemplazar el asador en cuestión por otro nuevo de igual o mayor valor. Como Propietario del producto, puede ser que WEBER le pida que devuelva las partes afectadas para su inspección (deberá cubrir los gastos de envío).

Las garantías deben amparar todas las piezas y componentes del producto e incluir la mano de obra. En consecuencia, los importadores están obligados a reemplazar cualquier pieza o componente defectuoso sin costo adicional para el consumidor. Dichas garantías deben incluir los gastos de transportación del producto que deriven de su cumplimiento, dentro de su red de servicio.

Esta garantía no es válida en los siguientes casos:

1. Cuando el producto haya sido utilizado en condiciones distintas a las normales.
2. Cuando el producto no haya sido operado de acuerdo con el instructivo de uso proporcionado.
3. Cuando el producto ha sido alterado o reparado por personas no autorizadas por WEBER.

Antes de ponerse en contacto con el Servicio de Atención al Cliente, prepare la siguiente información:

Nombre, dirección, teléfono, correo electrónico, número de serie, fecha de compra, distribuidor, modelo, color y principal problema.

Esta GARANTÍA no cubre partes dañadas, deterioradas, decoloradas y/u oxidadas por motivos de los que WEBER no sea responsable y tengan su origen en:

- Abuso, mal uso, alteración, modificación, uso indebido, vandalismo, negligencia, armado o instalación incorrectos, u omisión al llevar a cabo las labores normales y rutinarias de mantenimiento.
- Insectos (como arañas) y roedores (como ardillas), incluidos, entre otros, los daños que puedan causar en los tubos quemadores y/o la manguera de gas.
- Exposición a atmósferas salinas y/o fuentes de cloro, como albercas, tinas de hidromasaje o espás.
- Condiciones meteorológicas severas, como granizo, huracanes, terremotos, tsunamis o temporales, tornados o grandes tormentas.
- Lluvia ácida y otros factores ambientales.

El uso de partes de otros fabricantes no invalida esta Garantía. No obstante, esta Garantía no cubre aquellas partes usadas y/o instaladas en el producto WEBER que no sean partes originales WEBER. Esta Garantía tampoco cubre aquellos daños resultantes del uso y/o la instalación de partes en el producto WEBER que no sean partes originales WEBER. Toda conversión de un asador de gas no autorizada por WEBER y llevada a cabo por un técnico autorizado por WEBER dará lugar a la invalidación de esta Garantía.

PERIODOS DE GARANTÍA DE PRODUCTO

Caja para cocinar:
10 años, sin que atraviese el óxido/quemaduras
(2 años para la pintura excluyendo el deterioro o descoloración)

Conjunto de la tapa:
10 años, sin que atraviese el óxido/quemaduras
(2 años para la pintura excluyendo el deterioro o descoloración)

Tubos del quemador de acero inoxidable:
10 años, sin que atraviese el óxido/quemaduras

Rejillas para cocinar de acero inoxidable:
5 años, sin que atraviese el óxido/quemaduras

Barras de acero inoxidable FLAVORIZER:
5 años, sin que atraviese el óxido/quemaduras

Rejillas para cocinar de hierro vaciado con esmalte de porcelana:
5 años, sin que atraviese el óxido/quemaduras

Todas las partes restantes:
2 años

EXENCIONES DE RESPONSABILIDAD

APARTE DE LAS GARANTÍAS Y EXENCIONES DESCRITAS COMO PARTE DE ESTA DECLARACIÓN DE GARANTÍA, NO EXISTEN OTRAS GARANTÍAS O DECLARACIONES VOLUNTARIAS DE RESPONSABILIDAD EXPLÍCITAS, MÁS ALLÁ DE LA RESPONSABILIDAD LEGAL APLICABLE A WEBER. ASIMISMO, LA PRESENTE DECLARACIÓN DE GARANTÍA NO LIMITA NI EXCLUYE AQUELLAS SITUACIONES O RECLAMACIONES DE LAS QUE WEBER DEBA HACERSE RESPONSABLE SEGÚN LO PREVISTO EN LA LEY. NO SE CONSIDERARÁ VÁLIDA NINGUNA OTRA GARANTÍA UNA VEZ VENCIDA ESTA GARANTÍA. WEBER NO ASUMIRÁ NINGUNA OTRA GARANTÍA (INCLUIDAS LAS "GARANTÍAS AMPLIADAS") OFRECIDA POR NINGUNA PERSONA, DISTRIBUIDOR O AGENTE COMERCIAL, EN RELACIÓN CON NINGÚN PRODUCTO. EL ÚNICO OBJETO DE ESTA GARANTÍA ES LA REPARACIÓN O SUSTITUCIÓN DE LA PARTE O EL PRODUCTO EN CUESTIÓN.

ESTA GARANTÍA NO CUBRIRÁ EN NINGÚN CASO IMPORTES ECONÓMICOS SUPERIORES AL PRECIO DE COMPRA DEL PRODUCTO WEBER ADQUIRIDO.

EL USUARIO ASUME EL RIESGO Y LA RESPONSABILIDAD DERIVADOS DE AQUELLAS PÉRDIDAS, DAÑOS O LESIONES SUFRIDOS POR AQUEL Y SU PROPIEDAD Y/U OTRAS PERSONAS Y SUS PROPIEDADES QUE SE DERIVEN DEL MAL USO O ABUSO DEL PRODUCTO, O DE NO RESPETAR LAS INSTRUCCIONES FACILITADAS POR WEBER EN EL MANUAL DEL USUARIO QUE LO ACOMPAÑA.

LAS PARTES Y ACCESORIOS SUSTITUIDOS EN EL MARCO DE ESTA GARANTÍA GOZARÁN DE UN PERÍODO DE GARANTÍA EQUIVALENTE AL TIEMPO RESTANTE DEL PERÍODO DE GARANTÍA ORIGINAL INDICADO ANTERIORMENTE.

ESTA GARANTÍA SOLO ES VÁLIDA PARA EL USO EN VIVIENDAS O DEPARTAMENTOS UNIFAMILIARES PRIVADOS, NO ASÍ PARA ASADORES WEBER DESTINADOS AL USO EN INSTALACIONES COMERCIALES, COMUNITARIAS O DE UNIDADES MÚLTIPLES, COMO RESTAURANTES, HOTELES, COMPLEJOS TURÍSTICOS O PROPIEDADES DE RENTA.

WEBER PUEDE ALTERAR EL DISEÑO DE SUS PRODUCTOS CADA CIERTO TIEMPO. NINGUNA DE LAS ESTIPULACIONES QUE CONTIENE ESTA GARANTÍA DEBE CONSIDERARSE CONSTITUYENTE DE UNA OBLIGACIÓN POR PARTE DE WEBER DE INCORPORAR TALES CAMBIOS DE DISEÑO A PRODUCTOS FABRICADOS ANTERIORMENTE; DEL MISMO MODO, LA APLICACIÓN DE TALES CAMBIOS NO CONSTITUIRÁ UNA ADMISIÓN DEL CARÁCTER DEFECTUOSO DE LOS DISEÑOS ANTERIORES.

Webster-Stephen Products LLC

Centro de Atención al Cliente

1415 S. Roselle Road

Palatine, IL 60067

EE. UU.

Para adquirir refacciones, llame al teléfono:

1-800-446-1071

Para compras hechas en México / Para garantía acudir /

Importado por:

Webster-Stephen Products S.A. de C.V.

Av. Patriotismo No. 229 Torre 1 Piso 6-A,

Colonia San Pedro de los Pinos,

Alcaldía Benito Juárez, C.P. 03800 Ciudad de México.

RFC: WPR030919-ND4

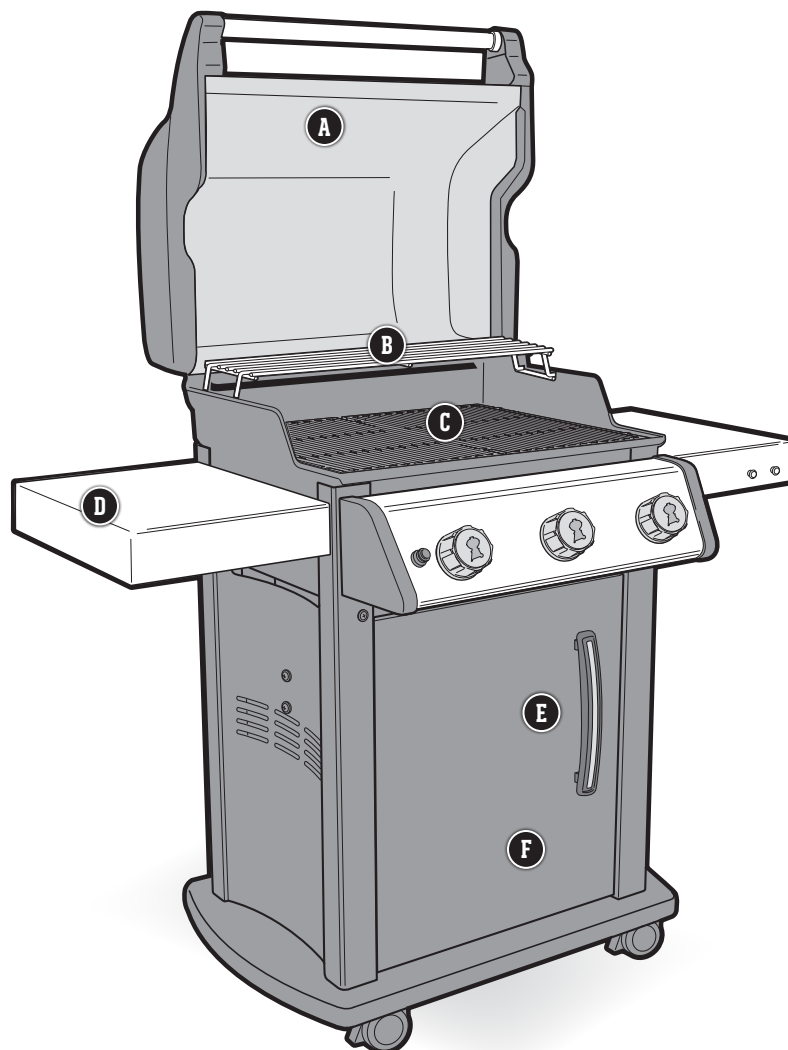
Tel: 01800-00-WEBER (93237)

Para partes de repuesto ir a la dirección del importador o

llame a: 01800-00-WEBER (93237)

Para hacer efectiva esta garantía es necesario llame por teléfono a los números indicados en este apartado o presentarse en los establecimientos autorizados por WEBER. Para hacer efectiva esta garantía no pueden exigirse otros requisitos más que la presentación del producto, la garantía vigente y comprobante de venta.

SPIRIT : CARACTERÍSTICAS



A Termómetro integrado

Conocer la temperatura en el interior del asador te permite ajustar el fuego cuando es necesario.

B Soporte para calentar

El soporte para calentar mantiene los alimentos calientes o tuesta los panes para tus hamburguesas mientras el plato principal se cocina debajo.

C Parrillas de cocción de hierro fundido vitrificado

Las parrillas de cocción reversibles te permiten sacar el máximo provecho de tu creatividad. El lado con barras delgadas es ideal para alimentos delicados, como pescado o camarones; el lado con barras gruesas crea marcas profundas que realzan el sabor del alimento.

D Mesas laterales con ganchos portautensilios integrados

Usa las mesas laterales para tener las bandejas, condimentos y utensilios siempre al alcance de tu mano. Cuelga en los ganchos los utensilios que más uses para acceder fácilmente a ellos y organizar tu espacio de trabajo. La mesa lateral se pliega para facilitar el almacenamiento del asador (215).

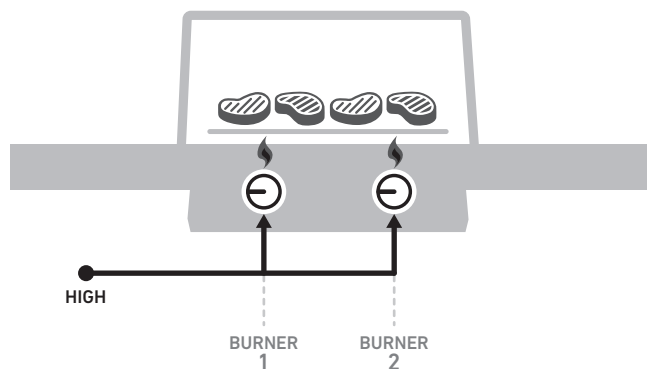
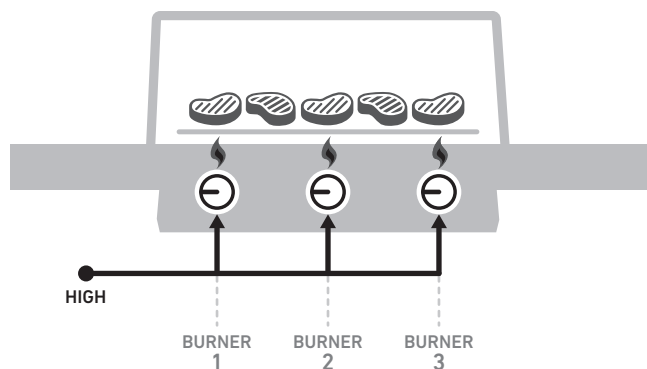
E Indicador de combustible

Ahora siempre sabrás hasta dónde puedes llegar. El indicador de combustible, de fácil lectura, se encuentra junto al tanque de gas y te permite saber cuánto combustible queda en todo momento. Cocina con tranquilidad, sabiendo que no te quedarás sin gas a la mitad de tu próxima parrillada.

F Gabinete debajo del asador

El gabinete ubicado debajo del asador proporciona espacio para guardar y proteger todas tus herramientas y accesorios de asado indispensables.

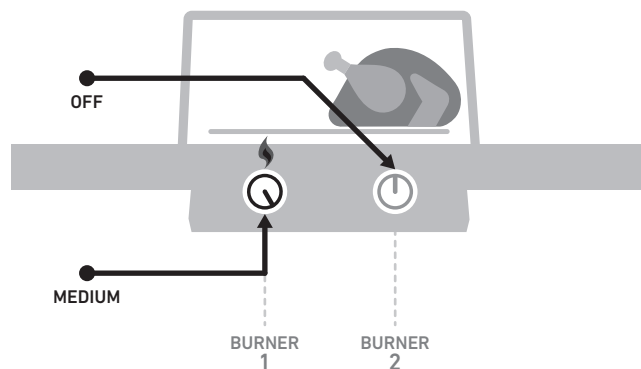
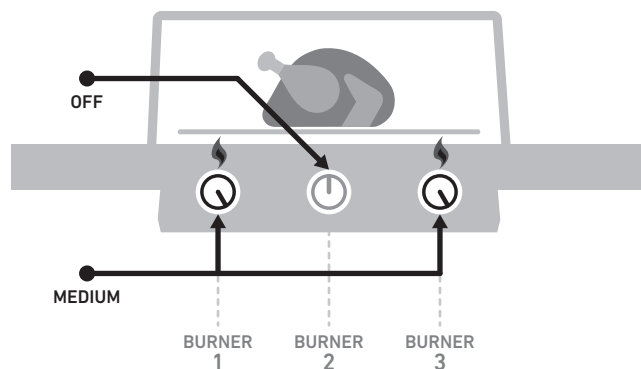
La llama: directa o indirecta



CONFIGURACIÓN PARA CALOR DIRECTO

Usa el método directo para cocinar alimentos tiernos de pequeño tamaño que requieran menos de 20 minutos de cocción, como hamburguesas, filetes, chuletas, *kebabs*, piezas de pollo sin hueso, pescado en filetes, marisco y verduras en rodajas.

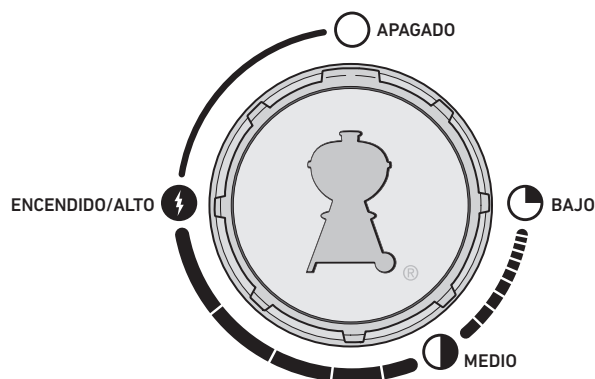
Con calor directo, el fuego se sitúa justo bajo el alimento. La superficie se dora, se desarrollan los sabores y texturas, y tiene lugar una deliciosa caramelización, mientras que el alimento se cocina hasta el centro.



CONFIGURACIÓN PARA CALOR INDIRECTO

Usa el método indirecto para cortes de carne más gruesos que requieran un tiempo de cocción superior a 20 minutos o alimentos tan delicados que la exposición directa al calor pudiera secarlos o quemarlos, como asados, piezas de pollo con hueso, pescados enteros, filetes de pescado delicados, pollos enteros, pavos o costillas. El calor indirecto se puede usar también para acabar alimentos muy gruesos o cortes con hueso previamente dorados o tostados con calor directo.

El método indirecto permite repartir el calor por ambos lados de la parrilla o concentrarlo sólo en uno de ellos. Coloca el alimento en la parte de la parrilla de cocción que no esté encendida.



Qué hacer y qué no hacer al cocinar a la parrilla

Precalienta siempre el asador antes de cocinar.

Si las parrillas de cocción no están lo suficientemente calientes, los alimentos se pegarán y no podrás dorar tus piezas de carne ni disfrutar de esas atractivas marcas de parrilla. Incluso aunque la receta indique que debes cocinar a fuego medio o bajo, precalienta antes el asador a fuego máximo. Abre la tapa, sube el fuego, cierra la tapa y deja que la parrilla de cocción se caliente durante unos diez minutos o hasta que el termómetro de la tapa indique 260 °C (500 °F).

No cocines en parrillas sucias.

Cocinar alimentos en una parrilla de cocción sucia nunca es una buena idea. Los restos de alimentos adheridos a las parrillas son como pegamento y acaban adhiriéndose también a los alimentos nuevos. Si no quieres saborear la cena de ayer en el almuerzo de hoy, asegúrate de borrar la pizarra antes de empezar. Cuando las parrillas estén calientes, usa un cepillo con cerdas de acero inoxidable para limpiar y suavizar la superficie.

Mantente presente.

Antes de encender el asador, asegúrate de tener todo lo que necesites al alcance del brazo. No olvides tus principales herramientas de parrillada, los alimentos ya engrasados y sazonados, los glaseados o salsas que quieras usar, así como bandejas limpias para la comida cocinada. Tener que volver a la cocina no sólo significa perderse parte de la diversión, sino que puede ser el principio de una comida quemada. Los chefs franceses llaman a esto *mise en place* (algo así como "puesta en escena"). Nosotros lo llamamos estar presente.

No cocines demasiados alimentos a la vez.

Poner demasiada comida en las parrillas de cocción limita tu flexibilidad. Mantén despejada, al menos, una cuarta parte de las parrillas de cocción, con espacio suficiente entre los alimentos para introducir las pinzas y moverlos con libertad. A veces, cocinar a la parrilla requiere tomar decisiones en pocos segundos, y para eso es fundamental poder mover los alimentos de una zona a otra. Ofrecéte espacio suficiente para trabajar.

Mantén a raya tu curiosidad.

La tapa del asador no sólo sirve para protegerlo de la lluvia. También, y más importante, impide que entre demasiado aire y que salga demasiado calor y humo. Cuando la tapa está cerrada, las parrillas de cocción están más calientes, los alimentos se asan en menos tiempo, los sabores ahumados son más intensos y se producen menos llamaradas. ¡Así que pon la tapa!

Voltea una sola vez.

¿Hay algo mejor que una jugosa pieza de carne con marcas profundas y preciosos bordes caramelizados? La clave para conseguir esos resultados es no tocar el alimento. A veces sentimos la tentación de voltear los alimentos antes de que alcancen el nivel deseado de color y sabor. En casi todos los casos, no hace falta voltear los alimentos más de una vez. Si lo haces más veces, probablemente también estés abriendo la tapa con demasiada frecuencia, dando lugar a otros problemas. Da un paso atrás y confía en tu asador.

Controla tu fuego interior.

A veces, lo más importante al cocinar a la parrilla es saber cuándo parar. La forma más confiable de comprobar si un alimento está hecho es consultar el termómetro. Esta pequeña joya te permitirá determinar el momento justo para servir.

No tengas miedo de experimentar.

En la década de 1950, cocinar a la parrilla significaba una única cosa: carne (y sólo carne) carbonizada sobre una llama abierta. Los chefs modernos no necesitan una cocina para preparar una comida completa. Usa tu asador para cocinar aperitivos, guarniciones e incluso postres. Registra tu asador y recibe contenidos especiales e ideas que seguro disfrutarás poniendo en práctica. Nos encantará acompañarte en tus aventuras a la parrilla.



ESPÁTULA

Busca una espátula de mango largo y cuello arqueado (a distinta altura), que tenga la pala más baja que el mango. Así te resultará más fácil retirar los alimentos de las parrillas de cocción.



MANOPLAS DE BARBACOA

En caso de duda, úsalas. Las mejores están aisladas y protegen la mano y el antebrazo.



TEMPORIZADOR

Evita la decepción de una cena quemada usando un sencillo temporizador. No necesitas nada sofisticado, sólo uno que sea confiable y fácil de usar.

Información importante acerca del gas LP y las conexiones de gas

¿Qué es el gas LP?

El gas licuado de petróleo, también conocido como LP, gas LP, propano líquido o, simplemente, propano o butano, es un producto inflamable con base de petróleo que debes usar como combustible para tu asador. A temperaturas y presiones moderadas, fuera de un contenedor, es un gas. Sin embargo, a presiones moderadas dentro de un contenedor (como un tanque), el LP es un líquido. Conforme se libera la presión del tanque, el líquido se evapora rápidamente, convirtiéndose en gas LP.

Consejos de seguridad para la manipulación de tanques de LP

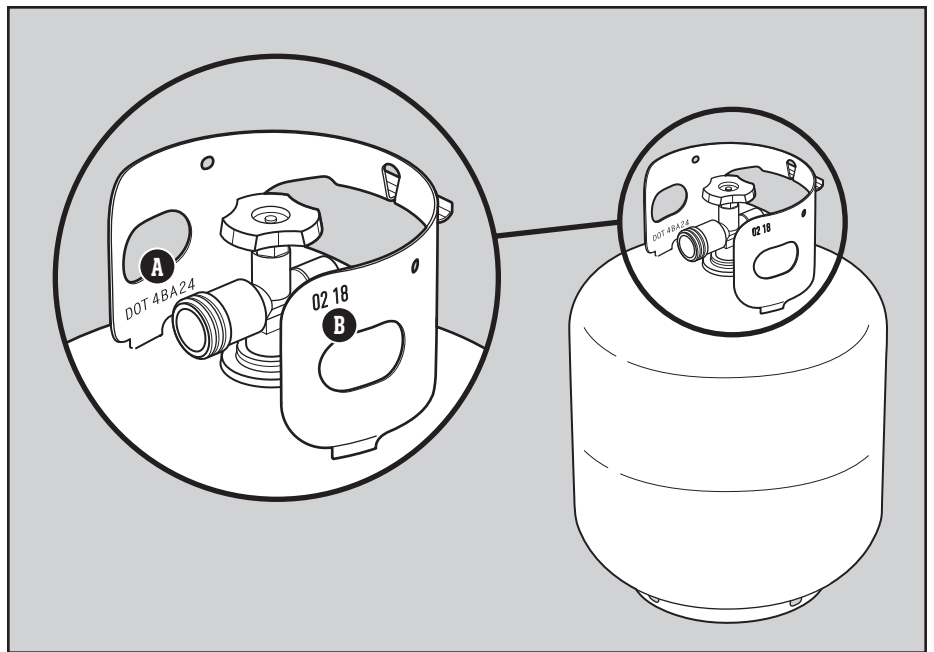
- Los tanques de propano líquido abollados u oxidados pueden representar un riesgo y deben ser comprobados por tu proveedor de propano líquido. No uses tanques de propano líquido cuya válvula esté dañada.
- Aunque un tanque de propano líquido parezca estar vacío, puede que aún contenga gas, por lo que debe transportarse y almacenarse tomando las precauciones adecuadas.
- Los tanques de LP deben instalarse, transportarse y almacenarse en posición vertical y fija. Evita que puedan caerse y no los manipules con brusquedad.
- No almacenes ni transportes un tanque de LP en lugares en los que la temperatura pudiera alcanzar los 125 °F (51.7 °C) (el tanque se calentaría demasiado como para sujetarlo con la mano).
- Coloque una tapa antipolvo a la salida de la válvula del tanque cuando este no se encuentre en uso. En la salida de la válvula del tanque, solamente instale el tipo de tapa antipolvo que viene provisto con la válvula del tanque. Otros tipos de tapas o tapones podrían resultar en fugas de propano.

Requisitos que debe cumplir un tanque de LP

- El tanque debe medir, aproximadamente, 18¼ pulgadas (46,35 cm) de altura y 12¼ pulgadas (31,1 cm) de diámetro. Asimismo, debe poseer una capacidad de 20 libra (9,07 kg) de gas LP o 47.6 libra (21,6 kg) de agua, según lo indicado por el fabricante. Puede que sea aceptable también el uso de otros tanques, siempre que sean compatibles con los medios de retención del asador (báscula del tanque).
- El tanque debe haber sido fabricado y estar marcado de acuerdo con las especificaciones establecidas por las siguientes normas, según corresponda: "Specifications for LP gas Cylinders of the U.S. Department of Transportation (D.O.T.)"; o "Canadian Standard for Cylinders, Spheres and Tubes for Transportation of Dangerous Goods and Commission, CAN/CSA-B339".
- Los tanques deben equiparse con un dispositivo homologado de protección de sobrellenado (OPD) y una conexión de tanque de Tipo 1 (CGA 791). La conexión de tanque debe ser compatible con la conexión del asador.
- El tanque debe incluir un collarín que proteja la válvula.
- Los tanques deben poseer certificación D.O.T. (A) y su fecha de ensayo (B) no debe ser anterior a cinco años desde la fecha de uso.

¿Qué es un regulador?

Tu asador está equipado con un regulador de presión, que es un dispositivo destinado a controlar y mantener uniforme la presión de gas mientras lo libera el tanque de LP.



Requisitos que debe cumplir el regulador

- Usa el conjunto formado por el regulador y la manguera suministrados con el asador. Este regulador posee un dispositivo limitador de caudal integrado en la unidad que restringe el caudal de gas en caso de detección de una fuga de gas.
- La sustitución del conjunto formado por el regulador y la manguera debe realizarse según lo especificado por Weber-Stephen Products LLC (dispositivo de conexión a tanque de Tipo 1 con homologación UL (CGA 791), según lo descrito en la última edición de la norma ANSI Z21.81).



PROTEGE TU INVERSIÓN

Blinda tu asador frente a los elementos con una funda de alta calidad.

Instalación de un tanque de LP y prueba de fugas

Lugar de instalación

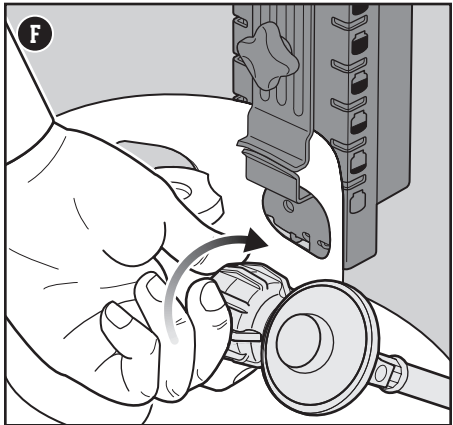
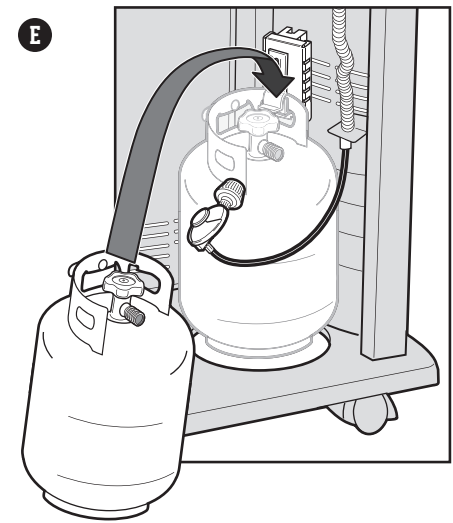
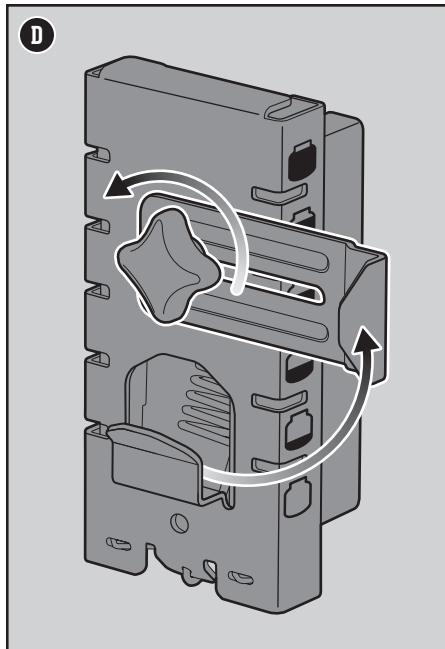
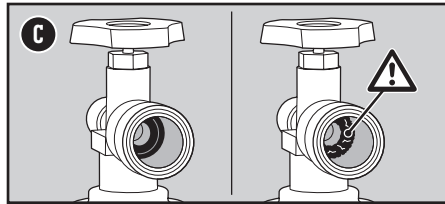
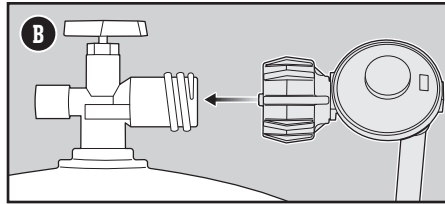
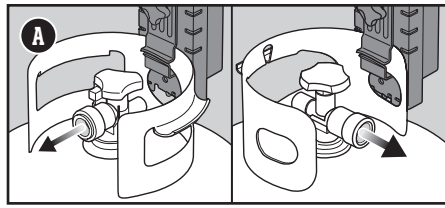
El tanque de gas propano licuado va instalado dentro del gabinete de la base, sobre la báscula del tanque (lado derecho). La forma del collarín (la placa circular que protege la válvula) determina las dos direcciones en las que se puede colgar el tanque de la báscula (A).

Inspección del tanque

- 1) Comprueba que la válvula del tanque se encuentre completamente cerrada. Ciérrala girándola en el sentido de las agujas del reloj.
- 2) Comprueba que la válvula del tanque sea compatible con el regulador (B).
- 3) Inspecciona la válvula del tanque, incluido el sello de caucho interno, en busca de daños o residuos (C). Si detectas algún daño en el tanque, devuélvelo a tu distribuidor local.

Instalación del tanque

- 1) Comprueba que los mandos de los quemadores estén todos en la posición de cierre O. Asegúrate presionando los mandos y girándolos en el sentido de las agujas del reloj.
- 2) Abre la puerta del gabinete de la base.
- 3) Afloja la tuerca manual y gira el seguro del tanque (D).
- 4) Cuelga el tanque de la báscula (E).
- 5) Gira de nuevo el seguro del tanque. Aprieta la tuerca manual.
- 6) Enrosca el acoplamiento del regulador en la válvula del tanque girándolo en el sentido de las agujas del reloj (F). Hazlo sólo con la mano. Si usas una llave, podrías dañar el acoplamiento del regulador y provocar una fuga. Pasa a la sección PRUEBA DE FUGAS DE GAS.



¿Qué es una prueba de fugas?

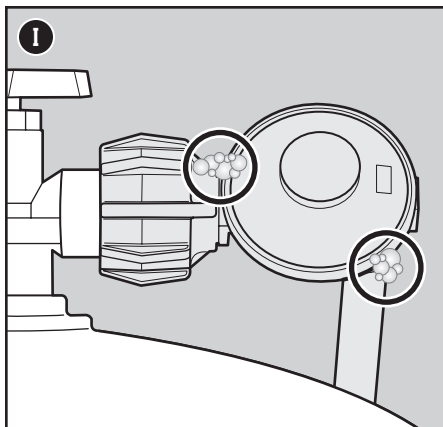
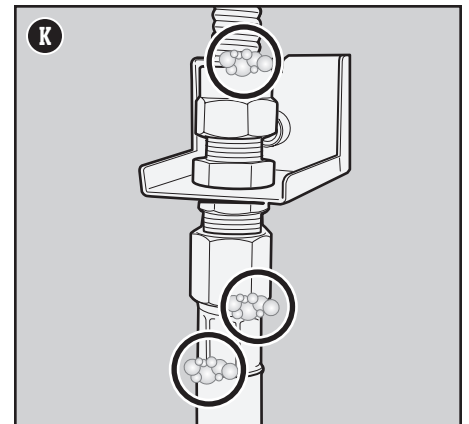
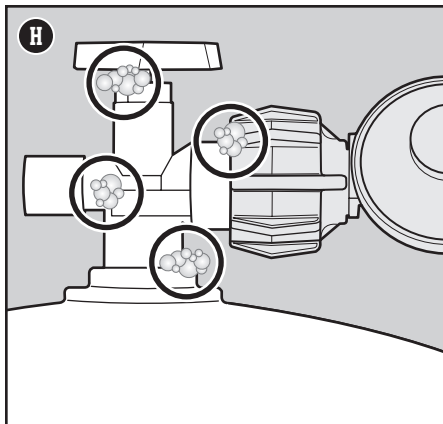
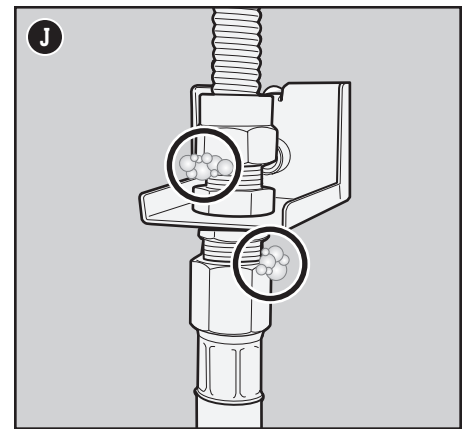
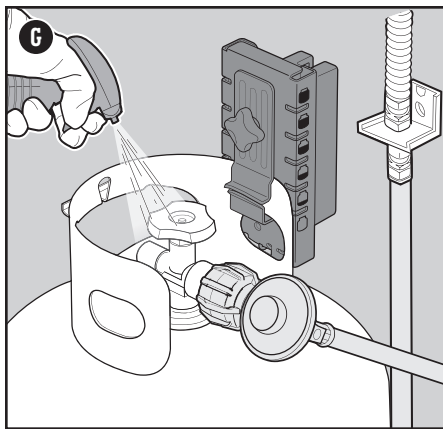
Una vez instalado correctamente el tanque de LP, es necesario realizar una prueba de fugas. Una prueba de fugas es una manera confiable de comprobar que no existen escapes de gas después de conectar el tanque. El sistema de combustible de tu asador cuenta con conexiones que se realizan en la fábrica y superan estrictas pruebas de detección de fugas de gas; los quemadores, además, se someten a diferentes pruebas de encendido de llamas. WEBER recomienda llevar a cabo una prueba de fugas a profundidad después de armar el asador, así como una vez al año. Deben revisarse las siguientes uniones:

- Conexión entre el regulador y el tanque.
- Conexión entre la manguera de gas y el conector pasante.
- Conexión entre el conector pasante y el tubo corrugado de gas.

Prueba de fugas de gas

- 1) Humedece las uniones (G) con una solución de agua y jabón empleando un pulverizador, una brocha o un trapo. Puedes hacer tu propia solución de agua y jabón mezclando un 20 % de jabón y un 80 % de agua; también puedes adquirir una solución de prueba de fugas en la sección de plomería de cualquier tienda de bricolaje.
 - 2) Lentamente, gira la válvula del tanque en sentido contrario a las agujas del reloj para iniciar el suministro de gas, comprobando al mismo tiempo si aparecen burbujas.
 - 3) Si aparecen burbujas, existirá una fuga:
 - a) Si la fuga está en el tanque (H), cierra la válvula de gas. **NO USES EL ASADOR.** Desconecta el tanque y devuélvelo a tu distribuidor local.
 - b) Si la fuga está en el regulador (I), cierre el suministro de gas. **NO TRATE DE APRETAR EL REGULADOR CON LA VÁLVULA DEL TANQUE ABIERTA. NO USE EL ASADOR.** Contacte con el representante de atención al cliente de su zona usando la información de contacto disponible en nuestro sitio web.
 - c) Si la fuga se encuentra en cualquiera de las uniones indicadas en la ilustración (J), vuelve a apretar la unión correspondiente con una llave y realiza una nueva prueba de fugas con la solución de agua y jabón. Si la fuga no desaparece, cierra el suministro de gas. **NO USES EL ASADOR.**
 - d) Si la fuga se encuentra en cualquiera de las uniones indicadas en la ilustración (K), cierra el suministro de gas. **NO USES EL ASADOR.**
- En caso de fuga, ponte en contacto con el representante de atención al cliente de tu zona usando la información de contacto disponible en nuestro sitio web.
- 4) Si no aparecen burbujas, la prueba de fugas habrá concluido.
 - a) Interrumpe el suministro de gas y enjuaga las conexiones con agua.

NOTA: Ciertas soluciones de prueba de fugas, incluidas las compuestas de agua y jabón, pueden resultar ligeramente corrosivas, por lo que es importante enjuagar bien todas las conexiones con agua después de la prueba.



⚠ PELIGRO: No use llamas para comprobar la existencia de fugas. Asegúrese de que no se generen chispas ni llamaradas en la zona durante la prueba de fugas.

⚠ PELIGRO: Las fugas de gas pueden causar un incendio o explosión.

⚠ PELIGRO: No use el asador si presenta alguna fuga de gas.

⚠ PELIGRO: Si observa, huele o escucha un escape de gas procedente del tanque de propano líquido:

1. Aléjese del tanque de propano líquido.
2. No intente corregir el problema personalmente.
3. Avise al departamento de bomberos.

⚠ PELIGRO: Cierre siempre la válvula del tanque antes de desconectar el regulador. No intente desconectar el conjunto formado por el regulador de gas y la manguera ni otras conexiones de gas con el asador en operación.

⚠ PELIGRO: No guarde un tanque de LP de repuesto bajo este asador o cerca del mismo. No llene el tanque más del 80 %. El no acatar estas advertencias al pie de la letra pudiera resultar en un fuego letal o causar lesiones serias.

Rellenar o sustituir un tanque de LP

¿Cuánto combustible hay en el tanque?

La báscula indica la cantidad de combustible que contiene un tanque estándar de 20 libra (9,07 kg) una vez colgado de la misma. El nivel de combustible se comprueba consultando la línea indicadora de nivel roja de la báscula. Cuando la línea indicadora se encuentra en el extremo superior, el tanque está lleno (L). Cuando está en el extremo inferior, el tanque está vacío (M) y es preciso retirarlo para sustituirlo o rellenarlo.

Retirada del tanque de LP

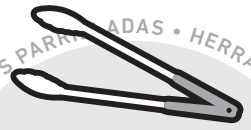
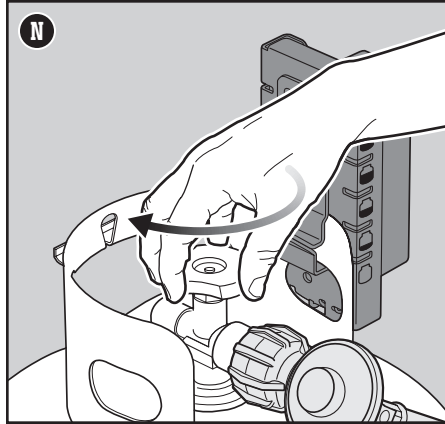
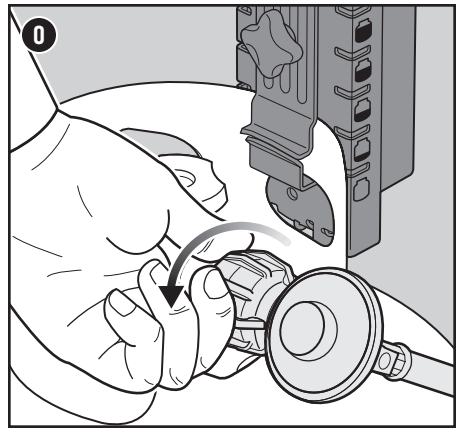
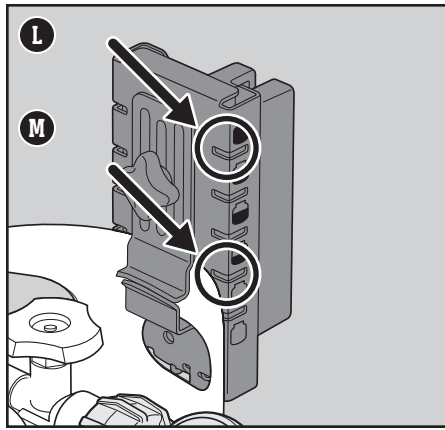
- 1) Comprueba que la válvula del tanque se encuentre completamente cerrada. Ciérrala girándola en el sentido de las agujas del reloj (N).
- 2) Desenrosca el acoplamiento del regulador girándolo con la mano en sentido contrario a las agujas del reloj (O).
- 3) Afloja la tuerca manual del seguro del tanque y aparta el seguro del tanque.
- 4) Retira el tanque de la báscula.

Otras pruebas de fugas

Debe comprobarse la existencia de fugas de gas en las siguientes uniones cada vez que se rellena y reinstale un tanque:

- Conexión entre el regulador y el tanque (H), y uniones del regulador (I) en sí.

Sigue las instrucciones descritas en la sección "Prueba de fugas de gas".



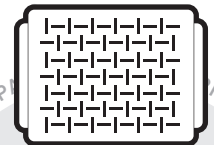
PINZAS

Considéralas una prolongación de tus manos. Las mejores pinzas deben contar con un mecanismo de tensión que no cueste accionar, empuñaduras confortables y un seguro que permita guardarlas cerradas.



PINCEL Y BROCHA

Consigue un pincel con cerdas de silicona resistentes al calor y mango largo, y una brocha con cerdas largas de algodón que absorban bien las salsas menos densas con base de vinagre.



BANDEJA PARA ASAR

Diseñadas para alimentos demasiado pequeños o delicados para las parrillas de cocción, las bandejas para asar están perforadas y mantienen los alimentos justo donde deben estar: sobre la parrilla, no dentro de ella.

La primera vez que uses el asador

Realiza una carbonización inicial

Calienta el asador a fuego máximo, con la tapa cerrada, durante un mínimo de 20 minutos antes de cocinar por primera vez.

Cada vez que cocines a la parrilla

Mantenimiento entre comidas

El plan de mantenimiento entre comidas, sencillo aunque importante, se compone de los pasos descritos a continuación. Realízalos siempre antes de cocinar a la parrilla.

Grasa acumulada

Tu asador está equipado con un sistema de gestión de grasa que la aleja de los alimentos y la deposita en un contenedor desechable. Al cocinar, la grasa cae en la bandeja de grasa extraíble hasta depositarse en una bandeja de goteo desechable que encaja en el colector. Este sistema debe limpiarse sin excepción antes de usar el asador para evitar incendios.

- 1) Comprueba que el asador esté apagado y frío.
- 2) Retira la bandeja de grasa extraíble sacándola del gabinete (A). Elimina el exceso de grasa con un raspador de plástico.
- 3) Retira el colector. Comprueba si la bandeja de goteo desechable que encaja en el colector contiene una cantidad excesiva de grasa. Si es necesario, desecha la bandeja de goteo desechable y sustitúyela por una nueva.
- 4) Instala de nuevo todos los componentes.

Inspección de la manguera

Es necesario inspeccionar la manguera periódicamente.

- 1) Comprueba que el asador esté apagado y frío.
- 2) Comprueba si la manguera presenta signos de agrietamiento o abrasión, o cortes (B). No uses el asador si la manguera sufre algún tipo de daño.

Pre calentamiento del asador

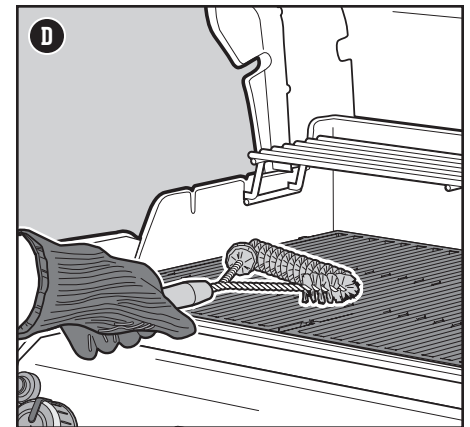
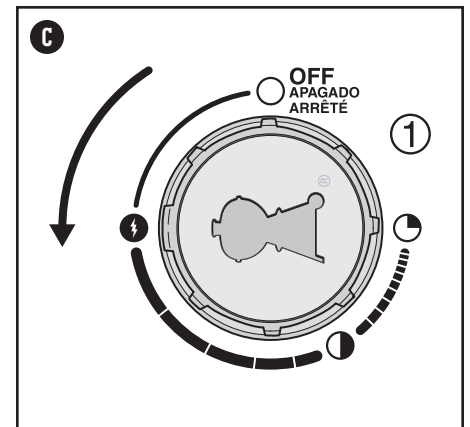
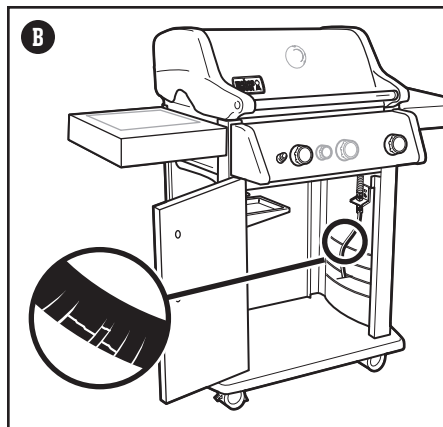
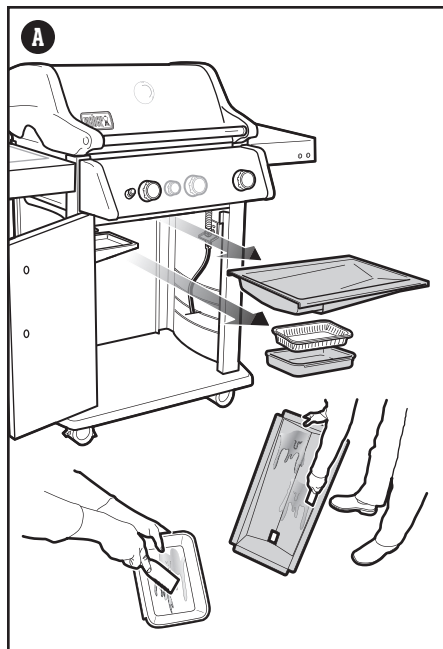
Pre calentamiento del asador es fundamental para el éxito de cualquier comida. El pre calentamiento contribuye a evitar que los alimentos se peguen a la parrilla y la calienta lo suficiente como para dorar correctamente las piezas. También ayuda a carbonizar los residuos de comidas anteriores.

- 1) Abre la tapa del asador.
- 2) Enciende el asador siguiendo las instrucciones de encendido descritas en este manual del propietario.
- 3) Cierra la tapa.
- 4) Pre calienta el asador manteniendo los mandos de control de los quemadores en la posición de encendido/fuego alto (1) durante 10-15 minutos o hasta que el termómetro indique 500 °F (260 °C) (C).

Limpieza de las parrillas de cocción

Después de pre calentamiento, será más fácil limpiar los restos de alimentos y demás residuos generados por el último uso del asador. Limpiar las parrillas evitará también que la próxima comida se pegue.

- 1) Cepilla las parrillas empleando un cepillo con cerdas de acero inoxidable inmediatamente después de pre calentamiento (D).



⚠ **PELIGRO:** No forre de papel aluminio la bandeja de grasa extraíble ni el compartimento de asado.

⚠ **PELIGRO:** Antes de cada uso, compruebe si se ha acumulado demasiada grasa en la bandeja de grasa extraíble o el colector. Elimine el exceso de grasa para evitar que se incendie.

⚠ **ADVERTENCIA:** Ponga atención al extraer el colector y desechar la grasa si está caliente.

⚠ **ADVERTENCIA:** Use manoplas o guantes de barbacoa resistentes al calor durante el uso del asador.

⚠ **ADVERTENCIA:** Compruebe periódicamente si sus cepillos metálicos presentan cerdas sueltas o desgaste excesivo. Sustituya los cepillos si encuentra cerdas desprendidas en las parrillas de cocción o los propios cepillos. WEBER recomienda adquirir nuevos cepillos con cerdas de acero inoxidable al principio de cada primavera.

⚠ **ADVERTENCIA:** No use el asador si la manguera sufre algún tipo de daño. Sustitúyala sólo por una manguera de repuesto autorizada por WEBER.

⚠ **ADVERTENCIA:** Mantenga las aberturas de ventilación alrededor del tanque despejadas y libres de residuos.

Encendido del asador

Uso del sistema de encendido crossover para encender el asador

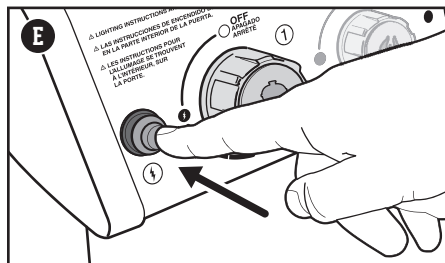
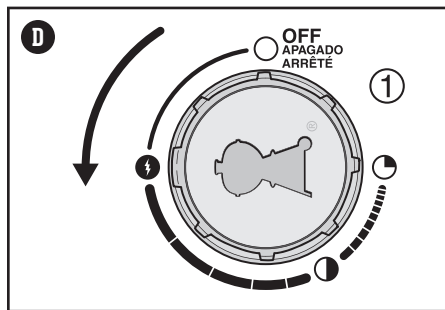
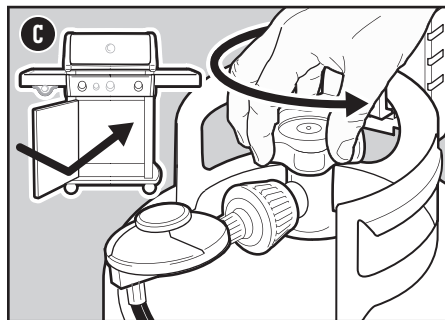
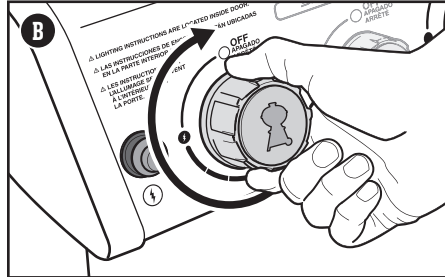
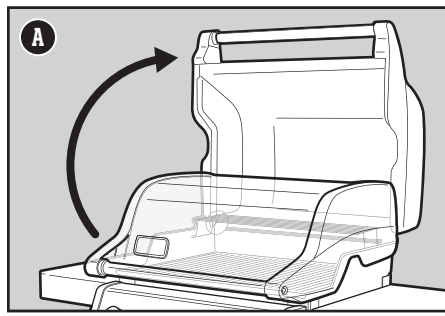
El sistema de encendido crossover enciende el quemador 1 (localizado a la izquierda) generando una chispa mediante el electrodo de encendido. La energía para producir la chispa la generas tú al presionar el botón de encendido. Al hacerlo, oirás los chasquidos del sistema de encendido. Los quemadores 2 y 3 se pueden encender una vez encendido el quemador 1. Para precalentar el asador deben encenderse todos los quemadores, pero no es necesario que sigan encendidos para cocinar.

- 1) Abre la tapa del asador (A).
- 2) Comprueba que los mandos de los quemadores estén todos en la posición de cierre ○. Asegúrate presionando los mandos y girándolos en el sentido de las agujas del reloj (B).
Nota: Es importante que los mandos de control de los quemadores se encuentren todos en la posición de cierre ○ antes de iniciar el suministro desde el tanque de LP. Si no lo están, se activará el dispositivo limitador de caudal integrado en el regulador, que limitará el caudal de gas procedente del tanque de LP.
- 3) Abre el tanque de LP girando lentamente la válvula del tanque en sentido contrario a las agujas del reloj y espera 60 segundos (C).
Nota: Es importante abrir lentamente el tanque de LP. Si se abre demasiado rápido, se activará el dispositivo limitador de caudal integrado en el regulador, que limitará el caudal de gas procedente del tanque de LP.
- 4) Comienza por el quemador 1 (localizado a la izquierda). Presiona el mando de control del quemador hacia dentro y gíralo en sentido contrario a las agujas del reloj hasta la posición de encendido/fuego alto ⚡ (D).
IMPORTANTE: Enciende siempre el quemador 1 primero. Los demás quemadores se encienden a partir del quemador 1.
- 5) Mantén presionado el botón de encendido electrónico (E). Oirás varios chasquidos.
- 6) Revisa que el quemador 1 esté encendido mirando a través de las parrillas de cocción y la abertura de las barras FLAVORIZER.
- 7) Si el quemador no se enciende, gira el mando de control del quemador hasta la posición de cierre ○ y espera cinco minutos para que el gas se disipe antes de intentar encender de nuevo el quemador.
- 8) Cuando el quemador 1 se enciende, podrás encender los quemadores 2 y 3.

Si los quemadores no se encienden mediante el sistema de encendido electrónico, consulta la sección RESOLUCIÓN DE PROBLEMAS. En ella encontrarás instrucciones para encender el asador con un cerillo y determinar así el origen exacto del problema.

Cómo apagar los quemadores

- 1) Presiona el mando de control de cada quemador hacia dentro y gíralo en el sentido de las agujas del reloj hasta la posición de cierre ○.
- 2) Interrumpe el suministro de gas desde el tanque de LP.



⚠ **ADVERTENCIA:** Mantenga abierta la tapa durante el encendido.

⚠ **ADVERTENCIA:** No se incline sobre el asador durante el encendido o la preparación de alimentos si la tapa está abierta.

⚠ **ADVERTENCIA:** Cada quemador debe encenderse por separado presionando el botón de encendido electrónico.

⚠ **ADVERTENCIA:** Si el encendido no tiene lugar antes de cuatro segundos desde el intento de encendido del primer quemador, coloque el mando de control del quemador en la posición de cierre. Espere cinco minutos para que el gas acumulado se disipe y repita el procedimiento de encendido.

Limpeza y mantenimiento

Limpeza interior del asador

Con el tiempo, el desempeño del asador puede verse afectado si no recibe los cuidados adecuados. Las bajas temperaturas, el calor irregular y la adherencia de los alimentos a las parrillas de cocción son señales de que el asador requiere limpieza y mantenimiento. Con el asador apagado y frío, comienza limpiando el interior desde arriba hacia abajo. Se recomienda realizar una limpieza completa, al menos, dos veces al año. Si el asador recibe uso constante, puede que la limpieza deba tener lugar cada tres meses.

Limpeza de la tapa

De vez en cuando, quizá descubras lo que parecen ser "copos de pintura" dentro de la tapa. Durante el uso, la grasa y los vapores se convierten poco a poco en carbón y se acumulan en el interior del asador. Tales depósitos acaban desprendiéndose y adquieren un aspecto muy similar al de la pintura. Aunque no son tóxicos, los copos pueden caer sobre los alimentos si no limpias la tapa periódicamente.

- 1) Limpia la grasa carbonizada del interior de la tapa empleando un cepillo con cerdas de acero inoxidable (A). Para evitar la acumulación de residuos, puedes limpiar el interior de la tapa con toallas de papel después de cocinar, con el asador todavía templado (no caliente).

Limpeza de las parrillas de cocción

Si limpias las parrillas de cocción según lo recomendado, apenas se acumularán residuos en ellas.

- 1) Con las parrillas instaladas, limpia los residuos adheridos a las mismas con un cepillo con cerdas de acero inoxidable (B).
- 2) Saca las parrillas y colócalas a un lado.

Limpeza de las barras FLAVORIZER

Las barras Flavorizer atrapan los jugos, que se evaporan y crepitan al contacto con las mismas para agregar sabor a los alimentos. Los jugos que no se evaporan al entrar en contacto con las barras Flavorizer se acumulan lejos de los quemadores. Ello contribuye a evitar las llamaradas dentro del asador e impide que los quemadores se obstruyan.

- 1) Raspa las barras FLAVORIZER con un raspador de plástico (C).
- 2) Si es necesario, cepilla las barras FLAVORIZER con un cepillo con cerdas de acero inoxidable.
- 3) Desmonta las barras FLAVORIZER y colócalas a un lado.

Limpeza de los quemadores

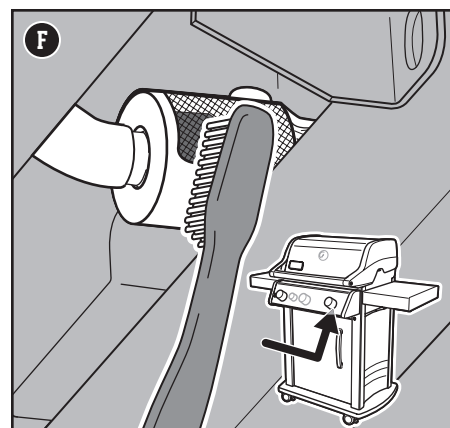
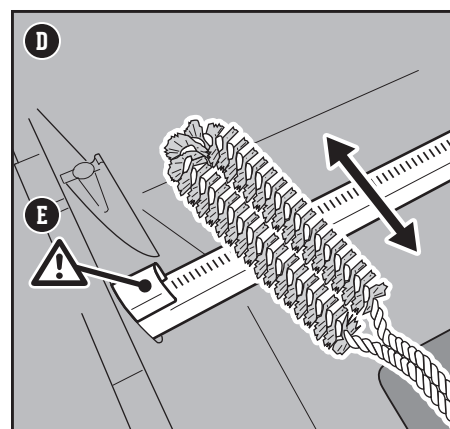
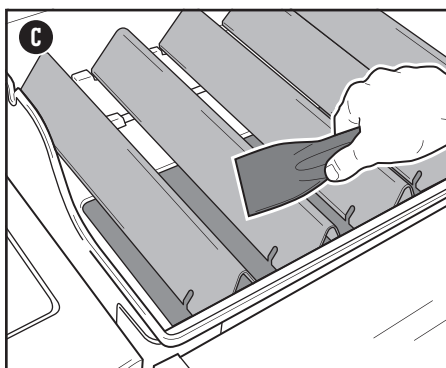
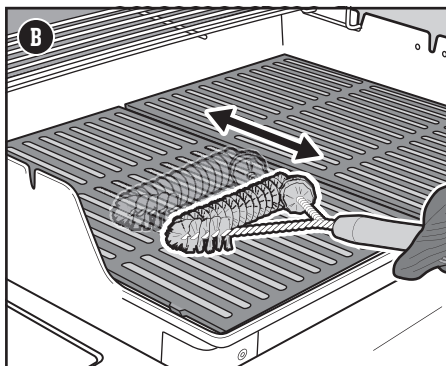
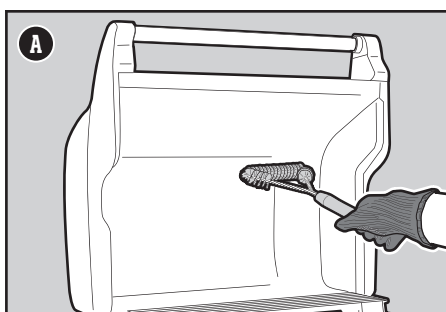
Existen dos partes de los quemadores que son fundamentales para su óptimo desempeño: los puertos (pequeñas aberturas que se ubican a lo largo de los quemadores) y los filtros de arañas/insectos de los extremos. Mantener limpias ambas cosas es esencial para una operación segura.

Limpeza de los puertos de los quemadores

- 1) Usa un cepillo limpio con cerdas de acero inoxidable para limpiar los quemadores por fuera. Cepilla cada quemador por encima, en dirección perpendicular a los puertos del quemador (D). No cepilles a lo largo; sólo pasarías los residuos de un puerto a otro.
- 2) Al limpiar el quemador 1, evita dañar el electrodo de encendido cepillando con cuidado a su alrededor (E).

Limpeza de los filtros de arañas

- 1) Localiza los extremos de los quemadores bajo el panel de control, donde se unen a las válvulas.
- 2) Limpia los filtros de arañas/insectos de cada quemador empleando un cepillo con cerdas blandas (F).



⚠ **ADVERTENCIA:** Apague el asador y espere que se enfríe antes de realizar una limpieza integral.

⚠ **ADVERTENCIA:** Con el tiempo, puede formarse una película rugosa sobre las barras FLAVORIZER. Se recomienda usar guantes para manipularlas. No limpie las barras FLAVORIZER ni las parrillas de cocción en un fregadero, lavavajillas u horno con función de autolimpieza.

⚠ **ADVERTENCIA:** Al limpiar los quemadores, no use un cepillo que haya usado previamente para limpiar las parrillas de cocción. No introduzca objetos afilados en los orificios de los puertos de los quemadores.

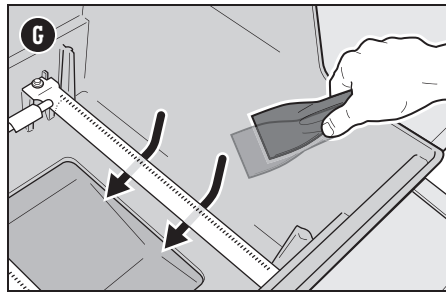
⚠ **PRECAUCIÓN:** No coloque los componentes del asador en las mesas laterales; podrían arañar la pintura o las superficies de acero inoxidable.

⚠ **PRECAUCIÓN:** No use nada de lo siguiente para limpiar el asador: abrillantadores de acero inoxidable abrasivos, pinturas, productos de limpieza que contengan ácido, alcoholes minerales, xileno, productos de limpieza de hornos, limpiadores abrasivos (limpiadores de cocina) o esponjas de limpieza abrasivas.

Limpieza del compartimento de asado

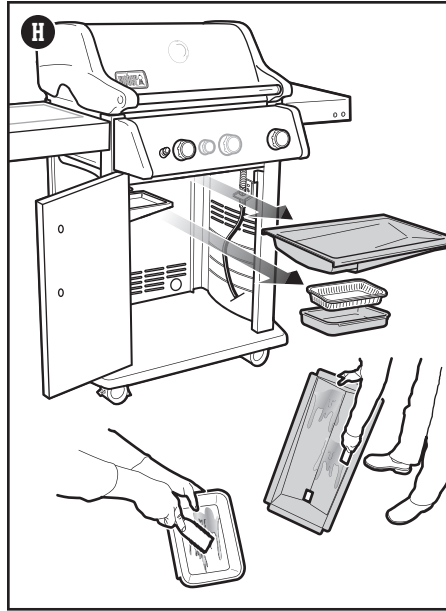
Revisa el interior del compartimento de asado en busca de grasa acumulada o restos de alimentos. La acumulación excesiva de este tipo de residuos puede causar un incendio.

- 1) Usa un raspador de plástico para raspar los residuos de los laterales y la parte inferior del asador, arrastrándolos hacia la abertura inferior del compartimento de asado (G). Esta abertura traslada los residuos hasta el colector extraíble.



Limpieza del sistema de gestión de grasa

El sistema de gestión de grasa se compone de una bandeja de grasa extraíble y un colector (H). Tales componentes están diseñados para facilitar su extracción, limpieza y sustitución, todos ellos pasos fundamentales antes de prepararse para una parrillada. Las instrucciones para inspeccionar el sistema de gestión de grasa se recogen en la sección MANTENIMIENTO ENTRE COMIDAS.



Limpieza exterior del asador

Por fuera, tu asador puede incluir superficies de acero inoxidable, vitrificadas y de plástico. WEBER recomienda los siguientes métodos en función del tipo de superficie.

Limpieza de las superficies de acero inoxidable

Limpia el acero inoxidable empleando un producto de limpieza o un abrillantador de acero inoxidable no tóxico ni abrasivo, diseñado para productos de uso al aire libre y asadores. Usa una franela de microfibra y limpia en la dirección de las vetas del acero inoxidable. No uses toallas de papel.

Nota: No te arriesgues a arañar el acero inoxidable empleando pastas abrasivas. Las pastas no limpian ni pulen. Por el contrario, cambian el color del metal eliminando el revestimiento de óxido de cromo.

Limpieza de los componentes pintados, vitrificados y de plástico

Limpia los componentes pintados, vitrificados y de plástico con agua tibia mezclada con jabón y toallas de papel o una franela. Tras repasar las superficies, enjuágalas y sécalas bien.

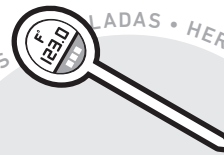
Limpieza exterior de asadores instalados en entornos poco frecuentes

Si el asador se encuentra instalado en un entorno particularmente severo, es probable que quieras limpiarlo por fuera más a menudo. La lluvia ácida, los químicos para piscinas y el agua salada pueden causar corrosión superficial. Limpia el exterior del asador con agua tibia mezclada con jabón. Para concluir la limpieza, enjuaga el asador y sécalo bien. Asimismo, puedes aplicar semanalmente algún producto de limpieza de acero inoxidable para evitar la corrosión superficial.



BANDEJAS DESECHABLES

Perfectas para cubrir el colector y hacer más cómoda y sencilla la limpieza.



TERMÓMETRO

Pequeño y relativamente barato, este componente es fundamental para conocer rápidamente la temperatura interna de la carne al cocinarla a la parrilla.



CEPILLO METÁLICO

Imprescindible incluso antes de soñar con una parrillada. Un cepillado rápido de las parrillas calientes evitará que los restos carbonizados de comidas pasadas se adhieran a las comidas presentes.

EL ASADOR NO SE ENCIENDE

SÍNTOMA

- Un quemador no se enciende al seguir las instrucciones del sistema de encendido electrónico, descritas en la sección "Operación" de este manual del propietario.

CAUSA

Existe un problema relacionado con el caudal de gas.

Existe un problema relacionado con el sistema de encendido electrónico.

SOLUCIÓN

Si el asador no se enciende, el primer paso es determinar si fluye gas hacia los quemadores. Para comprobarlo, sigue las instrucciones descritas en la sección "Uso de un cerillo para determinar si fluye gas hacia los quemadores".

Si el **encendido con cerillo NO DA RESULTADO**, sigue los consejos de resolución de problemas relacionados con el caudal de gas, descritos en la página siguiente.

Si el asador no se enciende, el primer paso es determinar si fluye gas hacia los quemadores. Para comprobarlo, sigue las instrucciones descritas en la sección "Uso de un cerillo para determinar si fluye gas hacia los quemadores".

Si el **encendido con cerillo DA RESULTADO**, sigue las instrucciones descritas en la sección "Comprobación de los componentes del sistema de encendido electrónico".

Uso de un cerillo para determinar si fluye gas hacia los quemadores

- 1) Abre la tapa del asador.
- 2) Comprueba que los mandos de los quemadores estén todos en la posición de cierre . Asegúrate presionando los mandos y girándolos en el sentido de las agujas del reloj.
Nota: Es importante que los mandos de control de los quemadores se encuentren todos en la posición de cierre antes de iniciar el suministro desde el tanque de LP. Si no lo están, se activará el dispositivo limitador de caudal integrado en el regulador, que limitará el caudal de gas procedente del tanque de LP.
- 3) Abre el tanque de LP girando lentamente la válvula del tanque en sentido contrario a las agujas del reloj y espera 60 segundos.
Nota: Es importante abrir lentamente el tanque de LP. Si se abre demasiado rápido, se activará el dispositivo limitador de caudal integrado en el regulador, que limitará el caudal de gas procedente del tanque de LP.
- 4) Comienza por el quemador 1 (localizado a la izquierda). Coloca un cerillo en el soporte para cerillos y préndelo. Inserta el cerillo encendido a través de las parrillas de cocción y las barras FLAVORIZER, y colócalo junto al quemador (A).
- 5) Presiona el mando de control del quemador correspondiente y giralo en sentido contrario a las agujas del reloj hasta la posición de encendido/fuego alto .
- 6) Revisa que el quemador esté encendido mirando a través de las parrillas de cocción y la abertura de las barras FLAVORIZER (B).
- 7) Si el quemador no se enciende antes de 4 segundos, gira el mando de control del quemador hasta la posición de cierre y espera cinco minutos para que el gas se disipe antes de intentar encender de nuevo el quemador. Si el nuevo intento no da resultado, sigue las instrucciones de resolución de problemas relacionados con el caudal de gas, descritas en la página siguiente.
- 8) Si el quemador se enciende, el problema se encuentra en el sistema de encendido. Sigue las instrucciones descritas en la sección "Comprobación de los componentes del sistema de encendido electrónico".
- 9) Una vez encendido el quemador 1, podrás encender los quemadores 2 y 3.

Comprobación de los componentes del sistema de encendido electrónico

Al presionar el botón de encendido, debes oír varios chasquidos. Si no puedes oír los chasquidos, comprueba la batería y, a continuación, los cables.

Comprobación de la batería

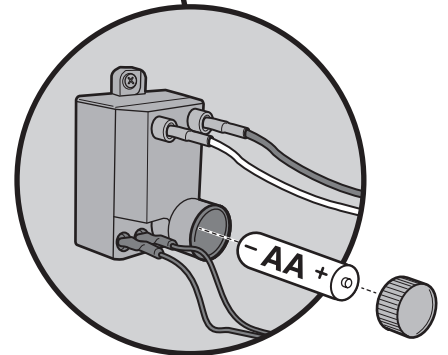
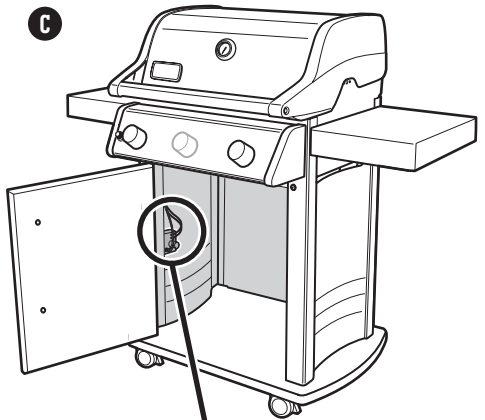
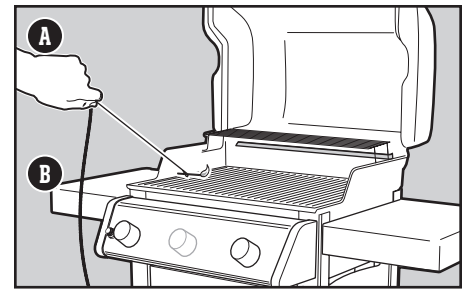
La batería que alimenta el módulo de encendido puede presentar tres problemas que es necesario comprobar:

- 1) Ciertas baterías poseen un envoltorio protector de plástico a su alrededor (no debe confundirse con la etiqueta de la batería). Asegúrate de haber retirado el envoltorio de plástico.
- 2) Comprueba que la batería se encuentre correctamente instalada (C).
- 3) Si la batería es antigua, sustitúyela por una batería nueva.

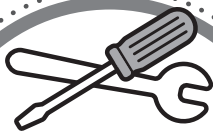
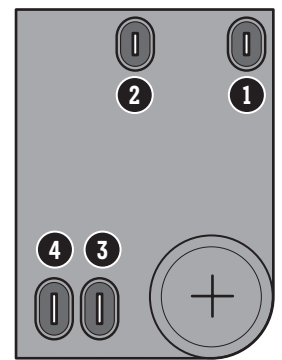
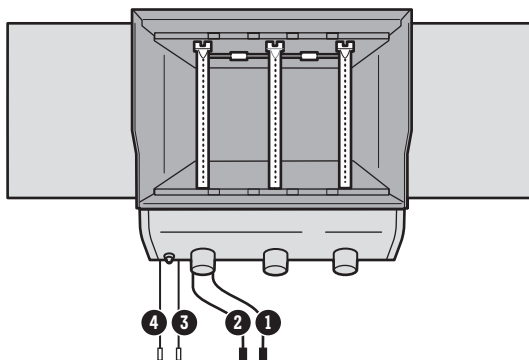
Comprobación de los cables

Los cables pueden presentar dos problemas que es necesario comprobar:

- 1) Comprueba que los cables del módulo de encendido estén bien conectados a los terminales del botón de encendido, situados bajo el panel de control.
- 2) Asegúrate de que los cables del módulo de encendido estén bien conectados al módulo de encendido. Los terminales de los cables están codificados por colores según los terminales del módulo de encendido. El número de cables puede variar en función del modelo.



Esquema de conexiones del módulo de encendido



PIEZAS DE REPUESTO

Para adquirir piezas de repuesto, ponte en contacto con tu distribuidor local o visita weber.com.

CAUDAL DE GAS

SÍNTOMA

- El asador no alcanza la temperatura deseada o se calienta de manera irregular.
- Uno o más de los quemadores no se encienden.
- Al colocar el mando de control del quemador en la posición de fuego alto, la llama es muy débil.
- Las llamas no cubren toda la longitud del quemador.
- Las llamas del quemador forman un patrón errático.

CAUSA

SOLUCIÓN

El "dispositivo limitador de caudal" se ha activado. Esta función de seguridad integrada en el regulador restringe el caudal de gas en caso de fuga de gas. La activación puede producirse inadvertidamente, incluso aunque no exista una fuga de gas. Normalmente, esto sucede al iniciar el suministro de gas en el tanque de LP y cuando uno o más de los mandos de control no se encuentran en la posición de cierre. También puede ocurrir si el tanque de LP se abre demasiado rápido.

Restablece el "dispositivo limitador de caudal" cerrando la válvula del tanque de LP y colocando todos los mandos de control de los quemadores en la posición de cierre \odot . Espera cinco minutos mientras el gas acumulado se disipa y enciende de nuevo el asador siguiendo las instrucciones descritas en la sección "Operación".

El tanque de LP contiene poco gas o está vacío.

Rellena el tanque de LP.

La manguera de combustible está doblada o torcida.

Endereza la manguera de combustible.

Los puertos del quemador están sucios.

Limpia los puertos del quemador. Consulta la sección "Limpieza de los puertos de los quemadores".

SÍNTOMA

- Huele a gas y los quemadores producen llamas de aspecto débil y amarillento.

CAUSA

SOLUCIÓN

Los filtros de arañas de los quemadores están obstruidos.

Limpia los filtros de arañas. Consulta la sección "Limpieza de los filtros de arañas" en el apartado "Mantenimiento del producto". Consulta también las ilustraciones y la información descrita en esta sección en relación con el aspecto que deben presentar las llamas y los filtros de arañas.

SÍNTOMA

- Huele a gas y/o se escucha un ligero siseo.

CAUSA

SOLUCIÓN

El sello de caucho interno del tanque de LP podría estar dañado.

Extinga las llamas encendidas. Cierre el suministro de gas al aparato (asador). Revise si el sello de caucho presenta daños. Si está dañado, devuelva el tanque al punto de compra.

La conexión entre el regulador y el tanque de LP podría haber quedado incompleta.

Extinga las llamas encendidas. Cierre el suministro de gas al aparato (asador). Consulte la sección **INSTALACIÓN DE UN TANQUE DE LP Y PRUEBA DE FUGAS** del manual del propietario.

ASADOR GRASIENTO (peladuras de pintura y llamaradas)

SÍNTOMA

- El interior de la tapa presenta lo que parecen ser peladuras de pintura.

CAUSA

SOLUCIÓN

Los copos que puedes ver son en realidad vapores acumulados que se han convertido en carbón.

Esto sucede con el tiempo, tras el uso repetido del asador, y no constituye un defecto. Limpia la tapa. Consulta la sección "Mantenimiento del producto".

SÍNTOMA

- Se producen llamaradas al cocinar o precalentar el asador.

CAUSA

SOLUCIÓN

Existen restos de alimentos cocinados anteriormente.

Precalienta siempre el asador con todos los quemadores en la posición de encendido/fuego alto durante 10-15 minutos.

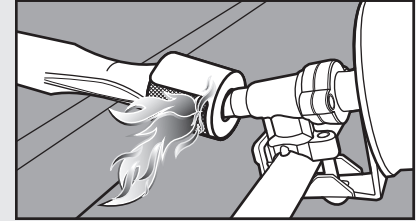
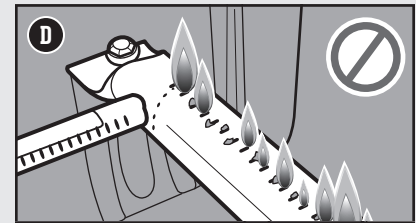
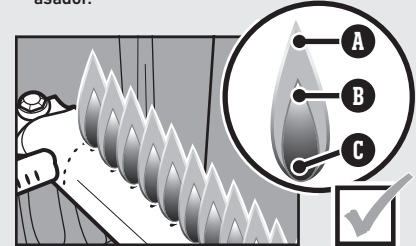
Es necesario realizar una limpieza completa del interior del asador.

Sigue los pasos descritos en la sección "Limpieza y mantenimiento" para limpiar el asador de arriba abajo.

Aspecto de las llamas que deben generar los quemadores

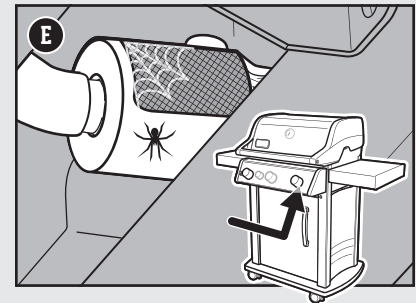
Los quemadores del asador se ajustan en fábrica para que proporcionen la mezcla correcta de aire y gas. Cuando los quemadores operan correctamente, las llamas presentan un aspecto específico. Como muestra la siguiente ilustración, puede que se produzcan destellos amarillentos en las puntas (A) de las llamas, cuyo cuerpo debe ser de color azul claro por arriba (B) y azul oscuro por abajo (C).

⚠ ADVERTENCIA: Los puertos obstruidos y sucios pueden limitar el flujo de gas, causando llamas irregulares (D) en las válvulas de gas y a su alrededor que pueden dañar gravemente el asador.



Filtros de arañas

Las aberturas de aire para combustión de los quemadores (E) cuentan con filtros de acero inoxidable que impiden que las arañas y otros insectos tejan telarañas y construyan nidos en su interior. Los filtros de arañas/insectos pueden impedir el flujo de oxígeno a los quemadores si acumulan polvo y residuos por fuera.



LLAMA AL SERVICIO DE ATENCIÓN AL CLIENTE





Si sigues experimentando problemas, ponte en contacto con el representante de atención al cliente de tu zona usando la información de contacto disponible en weber.com.

⚠ ADVERTENCIA: No intente reparar componentes destinados al transporte o la combustión de gas, el encendido o el soporte estructural del asador sin contactar antes con el departamento de atención al cliente de Weber-Stephen Products LLC.

⚠ ADVERTENCIA: La ejecución de reparaciones o sustituciones sin emplear piezas Weber-Stephen originales dará lugar a la invalidación de la protección proporcionada por esta garantía.

⚠ PRECAUCIÓN: Las aberturas de los tubos de los quemadores deberán posicionarse correctamente sobre los orificios de las válvulas.

Guía de cocina a la barbacoa

Tipo de alimento	Grosor/peso	Tiempo de cocción total aproximado
 CERDO		
CARNE ROJA		
	¾ pulgada (19 mm) de grosor	4-6 minutos fuego alto directo
Filete: entrecot, Porterhouse, costilla de ternera, T-bone y filet mignon (solomillo)	1 pulgada (25 mm) de grosor	6-8 minutos fuego alto directo
	2 pulgadas (50 mm) de grosor	14-18 minutos marcar 6-8 minutos a fuego alto directo y, después, mantener 8-10 minutos a fuego alto indirecto
Falda	1½ - 2 libras (0,68-0,90 kg), ¾ pulgada (19 mm) de grosor	8-10 minutos fuego medio directo
Hamburguesa de ternera picada	¾ pulgada (19 mm) de grosor	8-10 minutos fuego medio directo
Solomillo	3 - 4 libras (1,3-1,8 kg)	45-60 minutos 15 minutos a fuego medio directo y, después, mantener 30-45 minutos a fuego medio indirecto
 CERDO		
Bratwurst: salchichas frescas	Tira de 3 onza (85 g)	20-25 minutos fuego bajo directo
	¾ pulgada (19 mm) de grosor	6-8 minutos fuego alto directo
Chuletas: sin hueso o con hueso	1¼ - 1½ pulgadas (31-38 mm) de grosor	10-12 minutos marcar 6 minutos a fuego alto directo y, después, mantener 4-6 minutos a fuego alto indirecto
Costillas: costillar completo, costillas sueltas	3 - 4 libras (1,3-1,8 kg)	1½-2 horas fuego medio indirecto
Costillas: estilo campestre, con hueso	3 - 4 libras (1,3-1,8 kg)	1½-2 horas fuego medio indirecto
Solomillo	1 libra (0,454 kg)	30 minutos marcar 5 minutos a fuego alto directo y, después, mantener 25 minutos a fuego medio indirecto
 POLLO		
Pechuga de pollo: sin hueso, sin piel	6 to 8 onzas (170-226 g)	8-12 minutos fuego medio directo
Muslo de pollo: sin hueso, sin piel	4 onzas (113 g)	8-10 minutos fuego medio directo
Piezas de pollo: con hueso, surtidas	3 to 6 onzas (85-170 g)	36-40 minutos marcar 6-10 minutos a fuego bajo directo y, después, mantener 30 minutos a fuego medio indirecto
Pollo: entero	4 to 5 libras (1,8-2,2 kg)	1-1¼ horas fuego medio indirecto
Gallina de Cornualles	1½ to 2 libras (0,68-0,90 kg)	60-70 minutos fuego medio indirecto
Pavo: entero, sin relleno	10 to 12 libras (4,5-5,4 kg)	2-2½ horas fuego medio indirecto
 MARISCO		
Pescado, lomo o filete: fletán, pargo rojo, salmón, lubina, pez espada y atún	¾ to 1½ pulgada (6,3-12,7 mm) de grosor	3-5 minutos fuego medio directo
	1 to 1¼ pulgadas (25,4-31,75 mm) de grosor	10-12 minutos fuego medio directo
	1 libra (0,454 kg)	15-20 minutos fuego medio indirecto
Pescado: entero	3 libras (1,36 kg)	30-45 minutos fuego medio indirecto
Gambas	1½ onzas (42,5 g)	2-4 minutos fuego alto directo
VERDURA		
Espárragos	½ inch (12,7 mm) de diámetro	6-8 minutos fuego medio directo
Maíz	Con hojas	25-30 minutos fuego medio directo
	Sin hojas	10-15 minutos fuego medio directo
Setas	Shiitake o champiñón	8-10 minutos fuego medio directo
	Portobello	10-15 minutos fuego medio directo
Cebolla	En mitades	35-40 minutos fuego medio indirecto
	Rodajas de ½ inch (12,7 mm)	8-12 minutos fuego medio directo
Patata	Entera	45-60 minutos fuego medio indirecto
	Rodajas de ½ inch (12,7 mm)	9-11 minutos escaldar 3 minutos y, después, mantener 6-8 minutos a fuego medio directo

Los cortes, grosores, pesos y tiempos de cocción anteriores son sólo directrices orientativas. Factores como la altitud, el viento y la temperatura exterior pueden afectar a los tiempos de cocción. Dos reglas generales: cocine la carne, los lomos de pescado, las piezas de pollo sin hueso y las verduras empleando el método directo durante el tiempo indicado en la tabla (o hasta conseguir el punto de cocción deseado), dando la vuelta al alimento a la mitad del tiempo de cocción; cocine los asados, los pollos enteros, las piezas de pollo con hueso, los pescados enteros y los cortes más gruesos empleando el método indirecto durante el tiempo indicado en la tabla (o hasta que el termómetro indique la temperatura interna deseada). Los tiempos de cocción indicados para la carne de ternera y cordero se corresponden con la definición de cocción "al punto", a menos que se indique lo contrario. Antes de trincar, deje que sus asados, cortes grandes de carne, chuletas o filetes gruesos reposen durante 5-10 minutos después de cocinarlos. La temperatura interna de la carne aumentará unos 5-10 grados en ese tiempo.



SPIRIT

E-215 • E-315 • S-315

MANUEL DU PROPRIÉTAIRE (LP)



Téléchargez l'application WEBER Grills!



Pour commencer, profitez de l'application gratuite WEBER Grills. L'application WEBER répondra à toutes vos questions en matière de cuisson sur le grill, et vous guidera à chaque étape, de l'installation du réservoir à gaz à votre premier barbecue.

Personnalisez-la selon votre modèle (et vos goûts) en répondant à quelques questions simples afin d'enregistrer votre appareil.

• Réglage du barbecue et installation du réservoir à gaz

- Guides et méthodes de cuisson
- Minuteries et outils
- Recettes pour tous les goûts
- Menus et recettes de saison

Consignes de sécurité importantes

Les mentions **DANGER**, **AVERTISSEMENT** et **PRUDENCE** sont utilisées dans le présent manuel afin de souligner des éléments d'information particulièrement importants. Lisez et respectez ces consignes afin d'assurer la sécurité et de prévenir les dommages matériels. Voici la définition de chacune des mentions.

- ⚠ **DANGER** : Indique une situation dangereuse qui, si elle n'est pas évitée, **entraînera la mort ou des blessures graves**.
- ⚠ **AVERTISSEMENT** : Indique une situation dangereuse qui, si elle n'est pas évitée, **peut entraîner la mort ou des blessures graves**.
- ⚠ **PRUDENCE** : Indique une situation dangereuse qui, si elle n'est pas évitée, **peut entraîner des blessures mineures ou modérées**.

⚠ DANGER

S'il y a une odeur de gaz :

- **Coupez l'admission de gaz de l'appareil.**
- **Éteindre toute flamme nue.**
- **Ouvrir le couvercle.**
- **Si l'odeur persiste, éloignez-vous de l'appareil et appelez immédiatement le fournisseur de gaz ou le service d'incendie.**

⚠ AVERTISSEMENT

- **Ne pas entreposer ni utiliser de l'essence ni d'autres vapeurs ou liquides inflammables dans le voisinage de l'appareil, ni de tout autre appareil.**
- **Une bouteille de propane qui n'est pas raccordée en vue de son utilisation, ne doit pas être entreposée dans le voisinage de cet appareil ou de tout autre appareil.**

UTILISATION À L'EXTÉRIEUR SEULEMENT.

LISEZ LES INSTRUCTIONS AVANT D'UTILISER LE BARBECUE.

REMARQUE À L'INSTALLATEUR : Laissez les présentes instructions au propriétaire.

REMARQUE AU PROPRIÉTAIRE : Conservez ces instructions à titre de référence.

Installation et assemblage

- ⚠ **DANGER** : Ce barbecue n'a pas été conçu pour être installé sur un véhicule de plaisance ni sur un bateau.
- ⚠ **AVERTISSEMENT** : Utilisez ce barbecue uniquement une fois que l'assemblage des pièces est terminé conformément aux instructions d'assemblage.
- ⚠ **AVERTISSEMENT** : N'installez pas ce barbecue dans un espace encastré ni dans un aménagement sur glissières.
- ⚠ **AVERTISSEMENT** : Ne modifiez pas le barbecue. Le propane liquide n'est pas du gaz naturel. Toute tentative de conversion ou d'utilisation du gaz naturel dans un appareil au propane liquide ou vice versa est non sécuritaire et entraîne l'annulation de la garantie.
- Aux États-Unis, l'installation doit être conforme aux codes locaux en vigueur. En l'absence de codes locaux, les codes applicables selon le type d'appareil sont les suivants : le *National Fuel Gas Code* (ANSI Z223.1/NFPA 54), le *Natural Gas and Propane Installation Code* (CSA B149.1) ou le *Propane Storage and Handling Code* (B149.2). Pour les véhicules de plaisance, les codes sont : le *Standard on Recreational Vehicles* (ANSI A119.2/NFPA 1192) et le *Recreational Vehicle Code* (CSA Z240 RV Series).
- Au Canada, l'installation de ce barbecue doit être conforme aux codes locaux en vigueur et à la version la plus récente du *Code de stockage et de manutention du propane* (CAN/CSA-B149.2). Les présentes instructions, bien que généralement acceptables, ne respectent pas nécessairement toutes les dispositions des codes canadiens en matière d'installation, notamment quant aux conduites hors terre et souterraines.
- Au Mexique, en l'absence de code local, vous devez vous conformer à la plus récente version de la norme officielle mexicaine (NOM).
- Si une source électrique externe est utilisée (par exemple, une rôtissoire), celle-ci doit être mise à la terre conformément aux codes locaux en vigueur ou, en l'absence de tels codes, au *National Electrical Code* (ANSI/NFPA 70) ou au *Code canadien de l'électricité*, 1^{re} partie, CSA C22.1.

Fonctionnement

- ⚠ **DANGER** : Utilisez le barbecue à l'extérieur seulement, dans un endroit bien aéré. Ne l'utilisez pas dans un garage, un immeuble, un passage recouvert, une tente ni tout autre endroit couvert ou toute installation couverte de matériaux combustibles.
- ⚠ **DANGER** : N'utilisez pas le barbecue dans un véhicule ni dans l'espace de rangement ou de stockage d'un véhicule, quel qu'il soit. Cela comprend, sans toutefois s'y limiter, les voitures, les camions, les voitures familiales, les fourgonnettes, les utilitaires sport, les véhicules de plaisance et les bateaux.
- ⚠ **DANGER** : N'utilisez pas le barbecue à moins de 61 cm (24 po) de matériaux combustibles. Cette distance doit être respectée au-dessus, en dessous, à l'arrière et aux côtés de l'appareil.
- ⚠ **DANGER** : Assurez-vous de l'absence de vapeurs et de liquides inflammables (essence, alcool, etc.) ainsi que de matériaux combustibles à proximité de la zone de cuisson.
- ⚠ **DANGER** : Lorsqu'il est en fonction, ce barbecue doit être maintenu à distance de tout matériau inflammable.
- ⚠ **DANGER** : Ne placez pas de housse ni d'objets inflammables sur le barbecue ou dans l'espace de rangement sous le barbecue lorsque ce dernier fonctionne ou est chaud.
- ⚠ **DANGER** : En cas de feu de friture, fermez tous les brûleurs et laissez le couvercle fermé jusqu'à ce que le feu soit éteint.
- ⚠ **AVERTISSEMENT** : Certaines parties accessibles peuvent devenir très chaudes. Gardez les enfants à distance.

- ⚠ **AVERTISSEMENT** : L'usage d'alcool, de médicaments d'ordonnance ou sans ordonnance ainsi que de drogues illégales peut altérer les capacités de l'utilisateur et l'empêcher d'assembler, de déplacer, de ranger ou d'utiliser le barbecue d'une manière adéquate et sécuritaire.
- ⚠ **AVERTISSEMENT** : Ne laissez jamais le barbecue sans surveillance lorsqu'il est en préchauffage ou en fonction. Faites preuve de prudence lorsque vous utilisez ce barbecue. L'ensemble du compartiment à cuisson devient chaud durant la cuisson.
- ⚠ **AVERTISSEMENT** : Ne déplacez pas le barbecue lorsqu'il est en fonction.
- ⚠ **AVERTISSEMENT** : Gardez tout cordon d'alimentation électrique et tuyau d'alimentation en combustible à l'écart des surfaces chauffées.
- N'utilisez ni charbon de bois ni pierre de lave dans le barbecue.

Entreposage et non-utilisation

- ⚠ **AVERTISSEMENT** : Coupez l'alimentation en gaz en fermant la bouteille de gaz (le réservoir) après l'utilisation.
- ⚠ **AVERTISSEMENT** : Les réservoirs de propane liquide doivent être entreposés à l'extérieur, dans un endroit hors de portée des enfants. Ils ne doivent pas être entreposés dans un immeuble, un garage, ni tout autre espace clos.
- ⚠ **AVERTISSEMENT** : Avant d'utiliser le barbecue après une certaine période d'entreposage ou de non-utilisation, assurez-vous qu'il n'y a aucune fuite de gaz ni aucune obstruction des brûleurs.
- Vous pouvez entreposer le barbecue à l'intérieur seulement si le réservoir de propane liquide est déconnecté et retiré de l'appareil.

Proposition 65, Californie

- ⚠ **AVERTISSEMENT** : Les sous-produits de la combustion libérés lors de l'utilisation de cet appareil contiennent des produits chimiques reconnus par l'État de la Californie comme des causes de cancer, d'anomalies congénitales ou d'autres dangers pour le système de reproduction.
- ⚠ **PROPOSITION 65 AVERTISSEMENT** : La manipulation des composantes en laiton de cet appareil est susceptible de vous exposer à du plomb, un produit chimique reconnu par l'État de la Californie comme une cause de cancer, d'anomalies congénitales ou d'autres dangers pour le système de reproduction. *Lavez-vous les mains après avoir manipulé cet appareil.*



Bonjour et bienvenue au sein de la famille WEBER!

Veuillez vous assurer de lire le présent Guide d'utilisation et de télécharger l'application gratuite WEBER Grills afin de commencer à cuisiner le plus rapidement possible. L'application WEBER Grills est la solution pour maîtriser l'art du barbecue. Qu'il s'agisse de l'installation du réservoir à gaz, de recettes ou de fonctionnalités personnalisables, l'application est l'endroit où vous entamerez votre exploration du monde des grillades – et ne voudrez plus en ressortir.

Nous vous remercions d'avoir choisi WEBER.

TABLE DES MATIÈRES

- 38 Bienvenue dans la famille WEBER
Consignes de sécurité importantes
- 40 La promesse WEBER
Garantie
- 41 Caractéristiques de l'appareil
Caractéristiques du SPIRIT
- 42 Trucs et astuces
La cuisson directe ou indirecte
Les pratiques du barbecue
- 44 Pour commencer
Renseignements importants sur les branchements de propane liquide et de gaz
Installation du réservoir de propane liquide et vérification des fuites
Remplissage ou remplacement d'un réservoir de propane liquide
- 48 Fonctionnement
Première utilisation de votre barbecue
À chaque utilisation de votre barbecue
Allumage du barbecue
- 50 Entretien de l'appareil
Nettoyage et entretien
- 52 Dépannage
- 54 Guide de cuisson
- 55 Pièces de remplacement

Garantie

Garantie limitée

Merci d'avoir acheté un produit WEBER. Weber-Stephen Products LLC, 1415 S. Roselle Road, Palatine, Illinois 60067 (ci-après « WEBER ») est fière d'offrir un produit sécuritaire, durable et fiable.

Cette garantie limitée (ci-après « garantie ») de WEBER vous est offerte sans frais supplémentaires. Elle comprend des renseignements dont vous aurez besoin pour faire réparer votre produit WEBER dans le cas improbable d'une défaillance ou d'un défaut.

Conformément aux lois applicables, le client dispose de plusieurs droits si le produit est défectueux. Ces droits comprennent la réparation des défauts ou le remplacement, la réduction du prix d'achat et une indemnisation. Ces droits et les autres droits légaux ne sont pas touchés par cette disposition de la garantie. De fait, cette garantie confère des droits supplémentaires au propriétaire, indépendamment des dispositions de garantie légale.

GARANTIE LIMITÉE DE WEBER

WEBER garantit à l'acheteur du produit WEBER (ou, dans le cas d'un cadeau ou d'une situation promotionnelle, à la personne pour laquelle il a été acheté comme cadeau ou article promotionnel) (ci-après « propriétaire ») que le produit WEBER ne comporte pas de défauts de matériaux ou de fabrication pour la ou les périodes spécifiées ci-après s'il est assemblé et utilisé conformément au Guide d'utilisation ci-joint. (Remarque : Si vous perdez votre Guide d'utilisation WEBER, vous pouvez vous en procurer une copie en ligne sur www.weber.com.) En vertu de cette garantie, WEBER accepte de réparer ou remplacer la pièce défectueuse en raison d'un vice de matériaux ou de fabrication, soumis aux restrictions et exclusions applicables énumérées ci-dessous. **DANS LES LIMITES PRÉVUES PAR LA LOI APPLICABLE, LA PRÉSENTE GARANTIE N'EST OFFERTE QU'AU PREMIER ACHETEUR ET ELLE N'EST PAS TRANSFÉRABLE AUX PROPRIÉTAIRES SUBSÉQUENTS, SAUF EN CAS DE CADEAUX ET D'ARTICLES PROMOTIONNELS COMME IL A ÉTÉ MENTIONNÉ CI-DESSUS.**

Weber est fier de ses produits et vous offre la garantie décrite pour les vices de matériaux sur la grille ou toutes ses composantes, à l'exception de l'usure normale.

- « L'usure normale » inclut la détérioration cosmétique ou toute autre détérioration découlant de l'utilisation de votre barbecue, tels que la rouille, les entailles et rayures, etc.

Cependant, WEBER honorera cette garantie pour le barbecue ou ses pièces lorsque le dommage ou le dysfonctionnement résulte d'un défaut matériel.

- Les « vices de matériaux » incluent la rouille ou la brûlure de certaines pièces, ou encore tout autre dommage ou toute autre défaillance pouvant affecter votre capacité à utiliser votre barbecue correctement ou en toute sécurité.

RESPONSABILITÉS DU PROPRIÉTAIRE EN VERTU DE LA PRÉSENTE GARANTIE

Pour éviter tout problème lié à la garantie, il est important (mais non obligatoire) d'enregistrer votre produit WEBER en ligne sur www.weber.com. Veuillez également conserver votre facture d'achat. L'enregistrement de votre produit WEBER confirme votre couverture de garantie et instaure un lien direct entre vous et WEBER au cas où nous devrions communiquer avec vous. Si vous n'avez pas eu le temps d'enregistrer votre barbecue avant de communiquer avec le service de garantie, veuillez avoir sous la main les informations suivantes pendant votre appel : Nom – Adresse – Numéro de téléphone – Courriel – Numéro de série – Date d'achat – Détaillant – Modèle – Couleur – Principal problème

La garantie ci-dessus s'applique uniquement si le propriétaire prend raisonnablement soin du produit WEBER en suivant les consignes d'assemblage, d'utilisation et d'entretien préventif décrites dans le Guide d'utilisation, sauf si le propriétaire peut prouver que la défaillance ou le défaut est survenu indépendamment du non-respect des obligations mentionnées ci-dessus. Si vous habitez une région côtière ou que votre produit est placé près d'une piscine, un nettoyage et un rinçage réguliers des surfaces extérieures font également partie de l'entretien normal, comme expliqué dans le Guide d'utilisation inclus.

GESTION DE LA GARANTIE / EXCLUSION DE LA GARANTIE

Si vous croyez qu'une pièce est couverte par cette garantie, veuillez communiquer avec le service clients WEBER aux coordonnées indiquées sur notre site Web (www.weber.com) ou sur le site Web d'un pays vers lequel le propriétaire peut être redirigé). Après enquête, Weber réparera ou remplacera (à sa discrétion) toute pièce défectueuse couverte par cette garantie. Si la réparation ou le remplacement est impossible, Weber peut choisir (à sa discrétion) de remplacer le barbecue en question par un nouveau, de valeur égale ou supérieure. WEBER peut vous demander de retourner les pièces pour inspection. Les frais d'expédition doivent être prépayés par le propriétaire. Veuillez avoir à portée de main les renseignements suivants lorsque vous communiquez avec le service à la clientèle : Nom – Adresse – Numéro de téléphone – Courriel – Numéro de série – Date d'achat – Détaillant – Modèle – Couleur – Principal problème

Cette GARANTIE est annulée en cas de dommage, de détérioration, de décoloration ou de rouille, hors de la responsabilité de WEBER, causés par :

- l'utilisation abusive, la modification, le mauvais usage, le vandalisme, la négligence, un assemblage ou une installation inadéquats ou toute négligence concernant l'entretien régulier;
- des insectes (comme des araignées) et des rongeurs (comme des écureuils), comprenant, sans s'y limiter, tout dommage aux tuyaux du brûleur ou flexibles de gaz;
- l'exposition à l'air salin ou à des sources de chlore comme des piscines, jacuzzis et spas;
- des conditions météorologiques extrêmes comme la grêle, un ouragan, un séisme, un tsunami, un raz-de-marée, une tornade ou un orage violent.
- Les pluies acides et d'autres facteurs environnementaux.

L'utilisation de pièces tierces n'annule pas cette garantie.

Toutefois, toute pièce utilisée ou installée sur votre produit WEBER qui n'est pas une pièce d'origine WEBER n'est pas couverte par cette garantie. En outre, tout dommage résultant de l'utilisation ou de l'installation de pièces sur votre produit WEBER qui ne sont pas des pièces d'origine WEBER n'est pas couvert par cette garantie. Toute conversion d'un barbecue au gaz non autorisée par WEBER et non effectuée par un technicien autorisé par WEBER annulera cette garantie.

PÉRIODES DE GARANTIE DU PRODUIT

Cuve de cuisson :
10 ans, contre la perforation par rouille/brûlage
(2 ans pour la peinture sauf dégradation ou décoloration)

Assemblage du couvercle :
10 ans, contre la perforation par rouille/brûlage
(2 ans pour la peinture sauf dégradation ou décoloration)

Tubes de brûleur en acier inox :
10 ans contre la perforation par rouille/brûlage

Grilles de cuisson en acier inoxydable :
5 ans contre la perforation par rouille/brûlage

Barres FLAVORIZER en acier inoxydable :
5 ans contre la perforation par rouille/brûlage

Grilles de cuisson en fonte émaillée :
5 ans contre la perforation par rouille/brûlage

Toutes les autres pièces :
2 ans

AVIS DE NON-RESPONSABILITÉ

À L'EXCEPTION DE LA GARANTIE ET DES AVIS DE NON-RESPONSABILITÉ DÉCRITS DANS LA PRÉSENTE DÉCLARATION DE GARANTIE, IL N'Y A EXPRESSÉMENT AUCUNE AUTRE GARANTIE NI DÉCLARATION VOLONTAIRE DE RESPONSABILITÉ ALLANT AU-DELÀ DES OBLIGATIONS LÉGALES S'APPLIQUANT À WEBER. LA PRÉSENTE DÉCLARATION DE GARANTIE NE LIMITE PAS ET N'EXCLUT PAS LES SITUATIONS OU RÉCLAMATIONS POUR LESQUELLES WEBER A UNE RESPONSABILITÉ OBLIGATOIRE EN VERTU DE LA LÉGISLATION.

AUCUNE GARANTIE NE S'APPLIQUERA APRÈS LA DURÉE D'APPLICATION DE CETTE GARANTIE. WEBER N'EST ENGAGÉE PAR AUCUNE AUTRE GARANTIE FOURNIE PAR UN TIERS, Y COMPRIS UN CONCESSIONNAIRE OU REVENDEUR, EN LIEN AVEC TOUT PRODUIT (COMME UNE « GARANTIE PROLONGÉE »). LA RÉPARATION OU LE REMPLACEMENT D'UNE PIÈCE OU DU PRODUIT CONSTITUE LE RECOURS EXCLUSIF PERMIS DANS LE CADRE DE LA PRÉSENTE GARANTIE.

LA VALEUR DE TOUT REMPLACEMENT OU DE TOUTE RÉPARATION AU TITRE DE CETTE GARANTIE NE SERA EN AUCUN CAS SUPÉRIEURE AU PRIX D'ACHAT DU PRODUIT WEBER VENDU.

VOUS ASSUMEZ LES RISQUES ET LA RESPONSABILITÉ EN CAS DE PERTE, DE DOMMAGE OU DE BLESSURE VOUS TOUCHANT VOUS OU VOS BIENS OU LES AUTRES ET LEURS BIENS CAUSÉ PAR UNE MAUVAISE UTILISATION OU UNE UTILISATION ABUSIVE DU PRODUIT OU LE NON-RESPECT DES INSTRUCTIONS FOURNIES PAR WEBER DANS LE GUIDE D'UTILISATION FOURNI.

LES PIÈCES ET LES ACCESSOIRES REMPLACÉS DANS LE CADRE DE LA PRÉSENTE GARANTIE SONT GARANTIS UNIQUEMENT POUR LA OU LES PÉRIODES RESTANTES DE GARANTIE D'ORIGINE MENTIONNÉES CI-DESSUS. LA PRÉSENTE GARANTIE S'APPLIQUE UNIQUEMENT AUX PRODUITS UTILISÉS PAR UNE SEULE FAMILLE EN MAISON OU EN APPARTEMENT. ELLE NE S'APPLIQUE PAS AUX BARBECUES WEBER UTILISÉS PAR PLUSIEURS FAMILLES NI À CEUX UTILISÉS DANS UN CONTEXTE COMMERCIAL OU COMMUNAUTAIRE, COMME DANS DES RESTAURANTS, DES HÔTELS, DES CENTRES DE VILLÉGIATURE OU DES PROPRIÉTÉS EN LOCATION.

WEBER PEUT PARFOIS MODIFIER LA CONCEPTION DE SES PRODUITS. AUCUN RENSEIGNEMENT COMPRIS DANS LA PRÉSENTE GARANTIE NE DOIT ÊTRE PERÇU COMME OBLIGEANT WEBER À INTÉGRER CES CHANGEMENTS DE CONCEPTION AUX PRODUITS FABRIQUÉS PRÉCÉDEMMENT. EN OUTRE, AUCUN CHANGEMENT NE DOIT ÊTRE PERÇU COMME UN AVEU DE DÉFECTUOSITÉ DANS LES CONCEPTIONS PRÉCÉDENTES.

Weber-Stephen Products LLC
Centre de service clients
1415 S. Roselle Road
Palatine, IL 60067
États-Unis

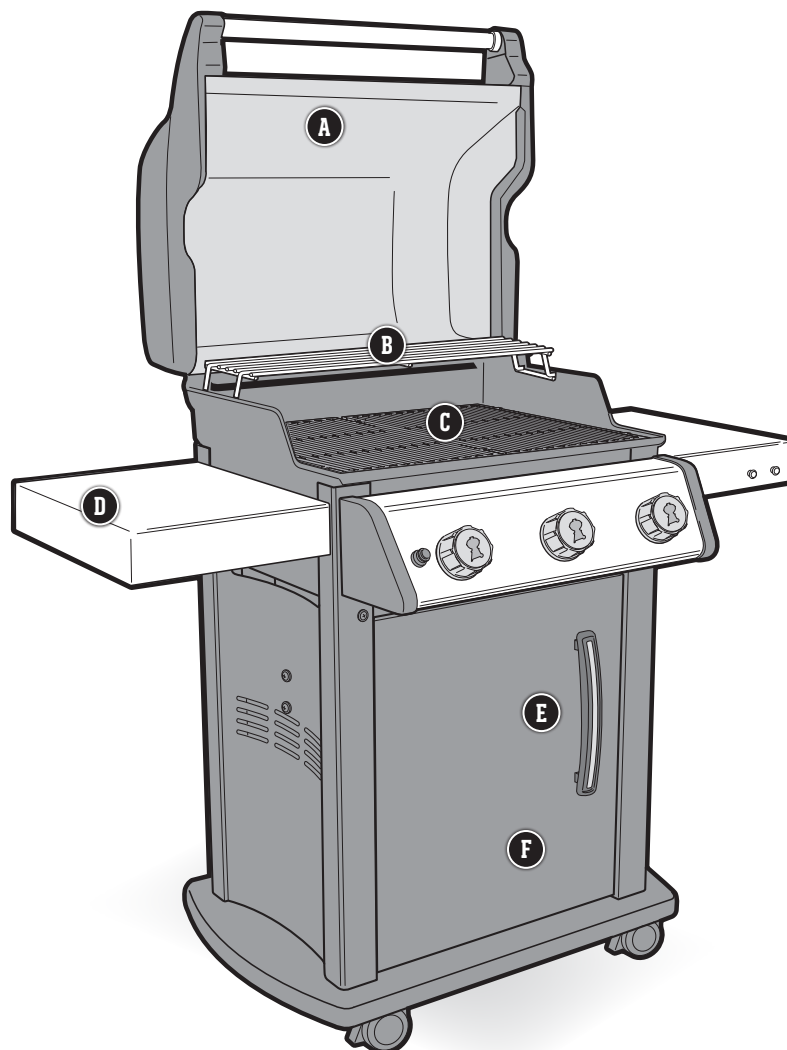
Pour obtenir des pièces de rechange, composez le :
1 800 446-1071



**PROTÉGEZ
VOTRE
INVESTISSEMENT**

Protégez votre barbecue des éléments grâce à une housse robuste de qualité supérieure.

CARACTÉRISTIQUES DU SPIRIT



A Thermomètre intégré

Connaître la température à l'intérieur de votre barbecue vous permet d'ajuster la chaleur au besoin.

B Grille de réchauffage

La grille de réchauffage garde les aliments au chaud ou grille les pains à hamburger pendant que le repas cuit sur les grilles de cuisson en dessous.

C Grilles de cuisson en fonte émaillée

Les grilles de cuisson réversibles vous donnent la possibilité de faire preuve d'encore plus de créativité. Le côté mince de la grille de cuisson est idéal pour les aliments délicats, comme le poisson ou les crevettes, alors que l'autre côté laisse une marque de saisie plus épaisse et relève la saveur de vos aliments.

D Tablettes latérales avec porte-accessoires intégré

Utiliser la tablette latérale pour garder plateaux, assaisonnements et ustensiles à portée de main. Accrocher les ustensiles indispensables sur les crochets pour y avoir accès facilement et bien organiser votre espace de travail en plein air. La tablette est rabattable afin de mieux s'intégrer aux espaces plus petits (215).

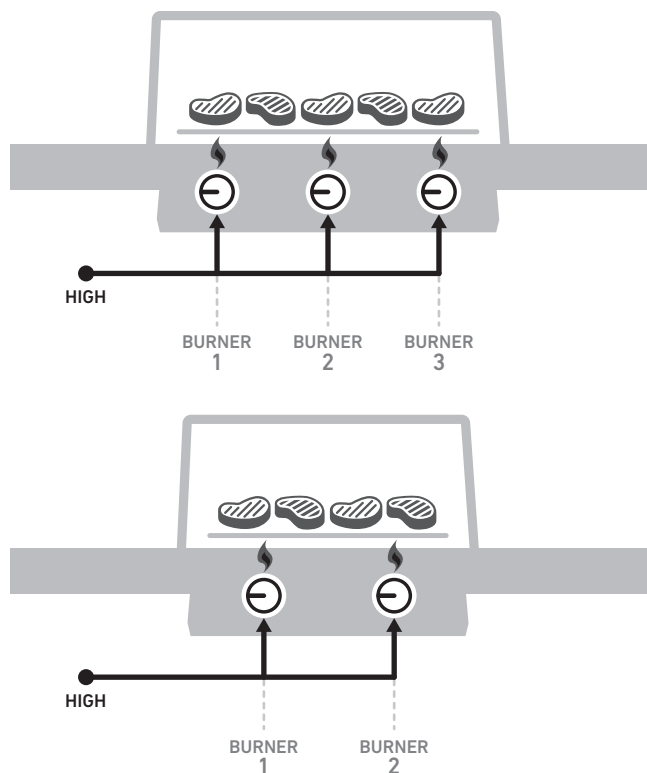
E Jauge à gaz

Pour vous permettre d'être toujours bien préparé. Située près du réservoir, la jauge facile à lire vous permet de savoir en tout temps la quantité de combustible que contient votre réservoir. Vous êtes donc assuré de ne pas manquer de gaz en milieu de cuisson.

F Chariot à rangement fermé

Le chariot à rangement fermé du barbecue ajoute un espace pour mettre à l'abri tous les outils et les accessoires essentiels à vos grillades.

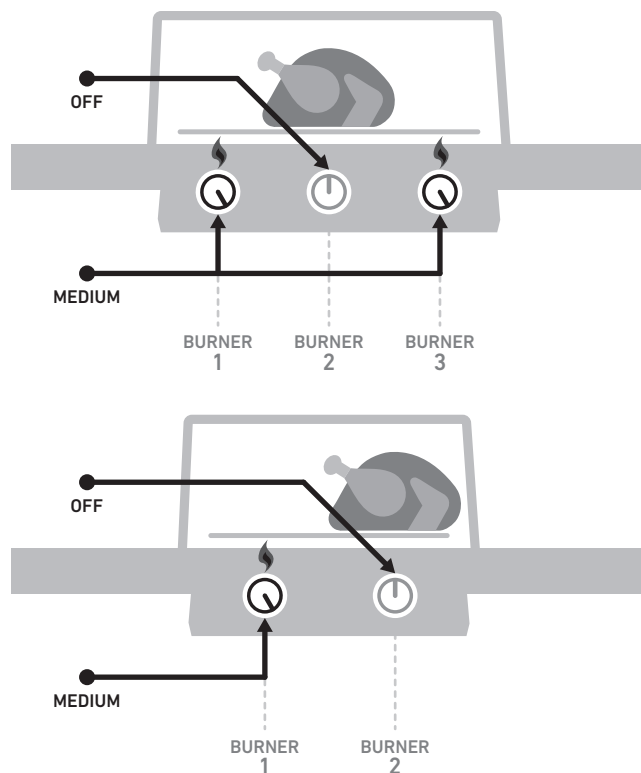
La cuisson directe ou indirecte



MÉTHODE DE CUISSON DIRECTE

Utilisez la méthode de cuisson directe pour les morceaux petits et tendres nécessitant moins de 20 minutes de cuisson, comme les hamburgers, les biftecks, les côtelettes, les chiches-kébab, les morceaux de poulet désossés, les filets de poisson, les fruits de mer et les légumes coupés.

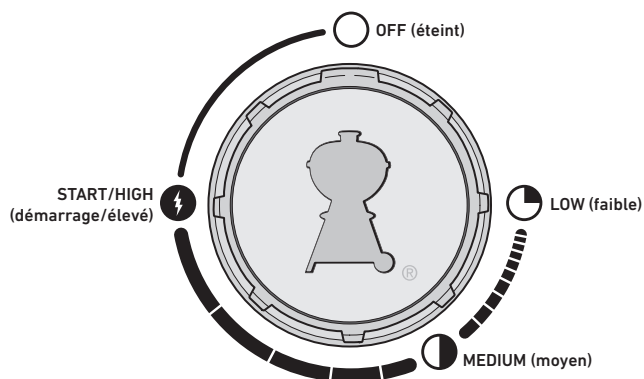
Une cuisson directe signifie que la flamme se trouve juste en dessous des aliments. Elle saisit la surface de la nourriture, la caramélise et accentue les saveurs ainsi que la texture tout en la cuisant jusqu'au centre.



MÉTHODE DE CUISSON INDIRECTE

Appliquez la méthode de cuisson indirecte pour les grandes pièces de viande nécessitant plus de 20 minutes de cuisson ou pour les aliments délicats qu'une exposition directe aux flammes assècherait ou brûlerait, comme les rôtis, les morceaux de volaille non désossés, les poissons entiers, les filets de poisson fragiles, les poulets entiers, les dindes et les côtes levées. La chaleur indirecte peut également servir à terminer la cuisson d'aliments plus épais ou de morceaux non désossés ayant été saisis ou dorés par une chaleur directe.

La chaleur indirecte provient des deux côtés du barbecue ou uniquement d'un côté. Les aliments sont placés sur la grille de cuisson, au-dessus de la partie éteinte de l'appareil.



Les pratiques du barbecue

Préchauffez toujours votre barbecue.

Si les grilles de cuisson ne sont pas assez chaudes, les aliments colleront, et vous n'aurez probablement pas la chance de bien les saisir ni de créer ces superbes marques de grillade. Même si une recette indique une chaleur moyenne ou faible, préchauffez toujours le barbecue au réglage le plus élevé. Ouvrez le couvercle, allumez le barbecue, fermez le couvercle, puis laissez la grille de cuisson se réchauffer pendant environ 10 minutes ou jusqu'à ce que le thermomètre du couvercle atteigne 260 °C (500 °F).

Ne cuisinez pas sur des grilles sales.

Il faut toujours nettoyer les grilles de cuisson avant d'y déposer des aliments. Les résidus agissent comme de la colle sur les grilles et compliquent la cuisson des nouveaux aliments. Pour éviter de goûter le repas de la veille, assurez-vous de travailler sur des grilles propres. Une fois les grilles préchauffées, utilisez une brosse à poils en acier inoxydable pour bien nettoyer la surface et la rendre lisse.

Demeurez près du barbecue pendant son utilisation.

Avant d'allumer votre appareil, assurez-vous que tout est à portée de main : vos accessoires essentiels, les aliments déjà graissés et assaisonnés, les glaces ou les sauces ainsi que des plateaux propres pour la nourriture cuite. Si vous retournez constamment dans votre cuisine, vous raterez tout le plaisir, et vos aliments risquent de brûler. Les chefs français appellent cette façon de faire la « mise en place ». Nous l'appelons « être prêt et présent ».

Laissez-vous un peu d'espace.

Placer trop de nourriture sur les grilles de cuisson limite votre souplesse. Laissez au moins un quart de la surface des grilles libre, avec assez d'espace entre chaque aliment, afin d'être en mesure d'utiliser les pinces et de déplacer facilement la nourriture. Il faut parfois prendre rapidement des décisions et, pour cela, il faut être en mesure de déplacer les aliments d'un endroit à un autre. Laissez-vous donc assez d'espace pour travailler.

Essayez de ne pas ouvrir le couvercle.

Le couvercle de votre barbecue ne sert pas uniquement à protéger votre repas de la pluie. Il empêche surtout l'entrée d'une trop grande quantité d'air, et il réduit la chaleur et la fumée qui s'échappent. Lorsque le couvercle est fermé, les grilles de cuisson sont plus chaudes, le temps de cuisson est réduit, le goût de fumée est plus prononcé et les embrasements sont plus rares. En résumé, fermez le couvercle!

Tournez les aliments une seule fois.

Quoi de mieux qu'un bifteck juteux bien saisi et joliment caramélisé? Le secret pour y arriver est de laisser vos aliments en place. Nous avons parfois tendance à les tourner avant qu'ils atteignent le degré désiré de coloration et de saveur. Vous devriez presque toujours tourner vos aliments une seule fois. Si vous les tournez souvent, vous ouvrez probablement le couvercle trop souvent, ce qui cause d'autres problèmes. Détendez-vous et ayez confiance en votre barbecue.

Sachez quand réduire l'intensité des flammes.

Parfois, la chose la plus importante est de savoir quand s'arrêter. Rien de plus fiable qu'un thermomètre à lecture instantanée pour évaluer si vos aliments sont prêts. Ce petit bijou vous aidera à déterminer le moment exact où vos aliments sont les plus savoureux.

N'ayez pas peur de faire des essais.

Dans les années 1950, la cuisson sur barbecue signifiait une seule chose : de la viande (et seulement de la viande) carbonisée par des flammes nues. Le chef moderne n'a pas besoin d'une cuisine pour préparer un repas complet. Utilisez votre barbecue pour créer des hors-d'œuvre, des plats d'accompagnement et même des desserts grillés. Enregistrez votre barbecue pour recevoir du contenu spécial qui vous inspirera. Nous aimerions vous accompagner dans votre exploration.



MITAINES POUR BARBECUE

En cas de doute, portez-les. Les bonnes mitaines sont isolées et protègent à la fois les mains et les avant-bras.



SPATULE

Utilisez une spatule avec une longue poignée et un collet courbé de façon à ce que la lame soit plus basse que la poignée. Il sera plus facile de soulever la nourriture des grilles de cuisson.



MINUTERIE

Évitez la déception de brûler votre repas en vous servant tout simplement d'une minuterie. Trouvez-en une qui est fiable et, surtout, simple à utiliser.

Renseignements importants sur les branchements de propane liquide et de gaz

Qu'est-ce que le gaz propane liquide?

Les gaz de pétrole liquéfiés, également appelés « propane liquide » (PL), « gaz propane liquide » ou simplement « propane » ou « butane », sont le produit à base de pétrole inflammable utilisé pour alimenter votre barbecue. Ils sont dans un état gazeux à une pression et à des températures modérées lorsqu'ils ne sont pas emprisonnés. Toutefois, placé dans un contenant à une pression modérée comme un réservoir, le propane liquide passe à l'état liquide. Lorsque la pression est relâchée, le liquide s'évapore rapidement et devient du gaz propane liquide.

Consignes pour une manipulation sécuritaire des réservoirs de propane liquide

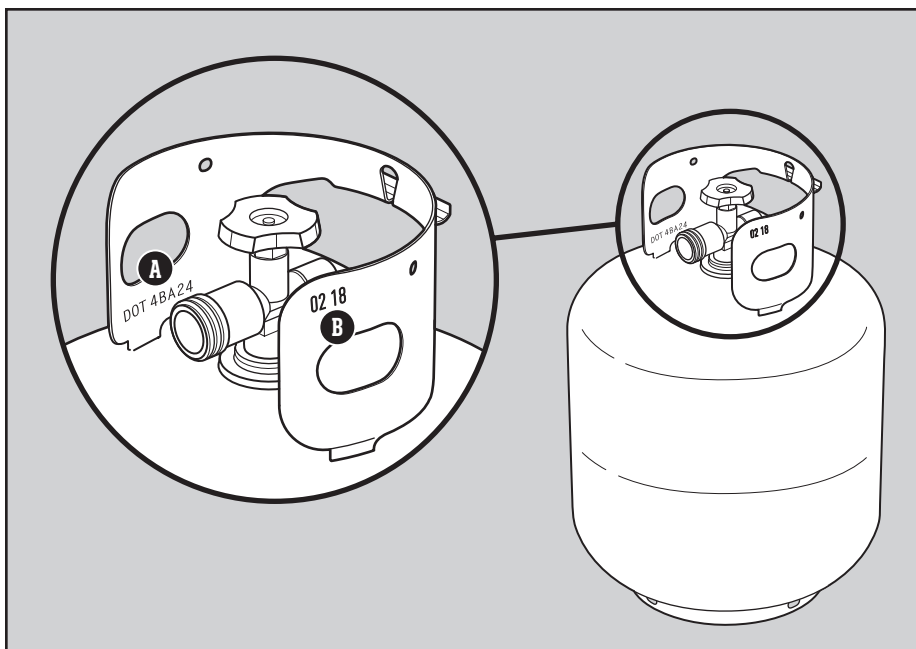
- Un réservoir de propane liquide bosselé ou rouillé peut être dangereux et devrait être vérifié par votre fournisseur de propane liquide. N'utilisez pas un réservoir de propane liquide si le robinet est endommagé.
- Même si votre réservoir de propane liquide semble vide, il est possible qu'il contienne encore du gaz. Le réservoir devrait donc être transporté et rangé en conséquence.
- Le réservoir de propane liquide doit être installé, transporté et rangé dans une position verticale et sécuritaire. Il ne doit pas être déposé ni manipulé brutalement.
- Ne rangez ni ne transportez jamais le réservoir de propane liquide dans des endroits où les températures peuvent atteindre 51,7 °C (125 °F) (le réservoir deviendra trop chaud pour être manipulé avec les mains).
- Mettre un bouchon antipoussière sur la sortie du robinet d'une bouteille qui n'est pas utilisée. Utiliser uniquement le type de bouchon antipoussière fourni avec le robinet de la bouteille. D'autres types de bouchons pourraient ne pas être étanches et permettre des fuites de propane.

Exigences relatives au réservoir de propane liquide

- Le réservoir doit avoir environ 46 cm de hauteur et 31 cm de diamètre. Il doit également comprendre une inscription indiquant une capacité de 9,07 kg de propane liquide ou de 21,59 kg d'eau, comme le précise le fabricant. D'autres réservoirs peuvent être utilisés s'ils sont compatibles avec le dispositif d'installation du réservoir (balance-réservoir).
- Le réservoir utilisé doit être fabriqué et désigné conformément aux spécifications concernant les bouteilles à gaz propane liquide cylindriques du département des Transports (DOT) des États-Unis ou à la norme canadienne Bouteilles à gaz cylindriques et sphériques et tubes pour le transport des marchandises dangereuses (CAN/CSA-B339), s'il y a lieu.
- Le réservoir doit être muni d'un robinet de type 1 (CGA 791) avec dispositif antidébordement. Le robinet du réservoir doit être compatible avec le raccord du barbecue.
- Le réservoir doit comprendre un collet qui protège le robinet.
- Le réservoir doit être certifié DOT (A) et la date d'essai (B) inscrite ne doit pas remonter à plus de cinq ans.

Qu'est-ce qu'un détendeur?

Votre barbecue au gaz est muni d'un détendeur de pression qui contrôle et maintient une pression de gaz uniforme lorsque le gaz s'échappe du réservoir.



Exigences relatives au détendeur

- Il est obligatoire d'utiliser le détendeur et le flexible de raccordement fournis avec ce barbecue. Le détendeur comprend un limiteur de débit intégré qui restreint le débit de gaz si une fuite est détectée.
- Les ensembles détendeur et flexible de rechange doivent être ceux précisés par Weber-Stephen Products LLC (robinet de réservoir de type 1 [CGA 791] homologué UL comme il est décrit dans la dernière version de la norme ANSI Z21.81).

Installation du réservoir de propane liquide et vérification des fuites

Lieu d'installation

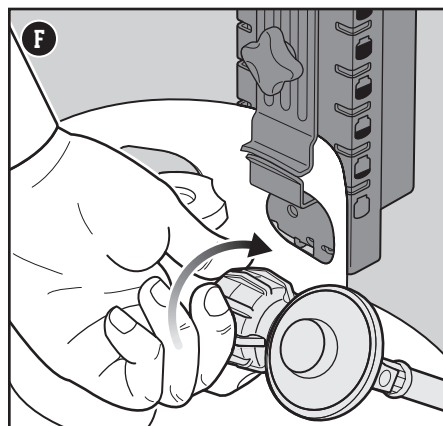
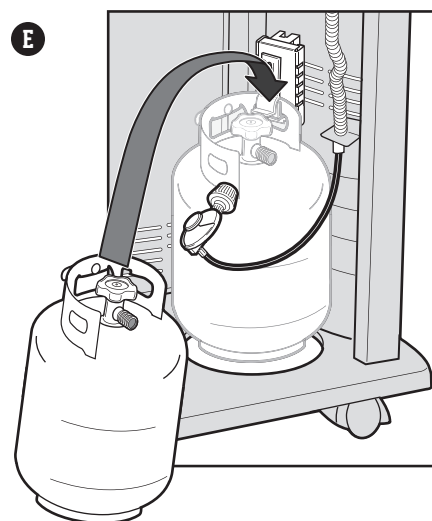
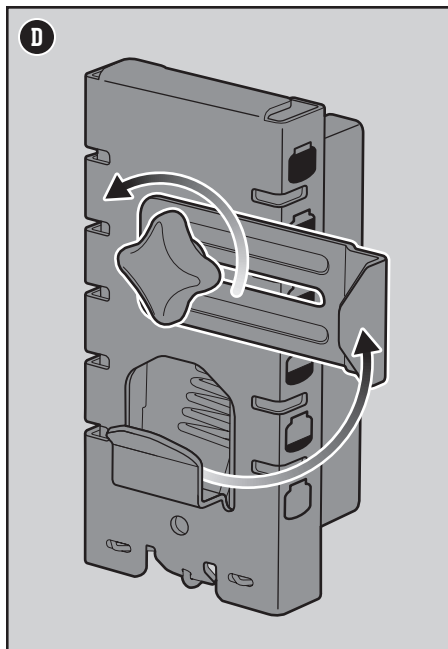
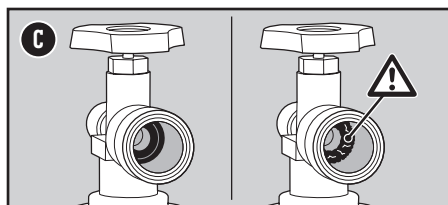
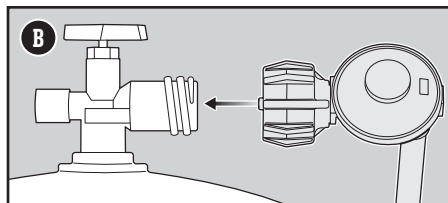
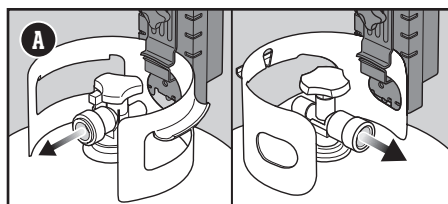
Le réservoir de PL est installé à l'intérieur du meuble de base, sur l'échelle du réservoir de gaz (du côté droit). Il est possible de suspendre le réservoir à la balance-réservoir de deux façons différentes, selon la forme de l'anneau de protection en métal qui entoure le robinet du réservoir (A).

Inspection du réservoir

- 1) Vérifiez que le robinet du réservoir est complètement fermé. Fermez le robinet en le tournant dans le sens des aiguilles d'une montre.
- 2) Vérifiez que le robinet du réservoir est compatible avec le détendeur (B).
- 3) Examinez le robinet du réservoir, y compris le joint en caoutchouc interne, afin de repérer tout dommage ou débris. S'il est endommagé, retournez le réservoir à votre détaillant régional.

Installation du réservoir

- 1) Assurez-vous que tous les boutons de commande des brûleurs sont fermés (position Off [éteint] O). Pour ce faire, poussez sur chaque bouton de commande, puis tournez-le dans le sens des aiguilles d'une montre.
- 2) Ouvrez la porte du meuble de base.
- 3) Desserrez l'écrou à serrage à main, puis faites pivoter le verrou du réservoir vers le haut (D).
- 4) Installez le réservoir sur la balance-réservoir (E).
- 5) Faites pivoter le verrou du réservoir vers le bas. Serrez l'écrou à serrage à main.
- 6) Fixez le raccord du détendeur au robinet du réservoir en le tournant dans le sens des aiguilles d'une montre (F). Serrez à la main seulement. L'utilisation d'une clé pourrait endommager le raccord du détendeur et causer une fuite de gaz. Passez à la section « VÉRIFICATION DES FUITES DE GAZ ».



Pour commencer

En quoi consiste la vérification des fuites ?

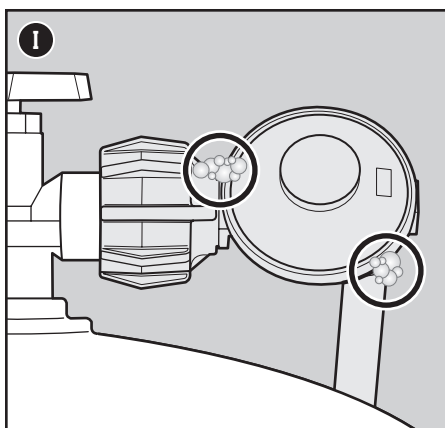
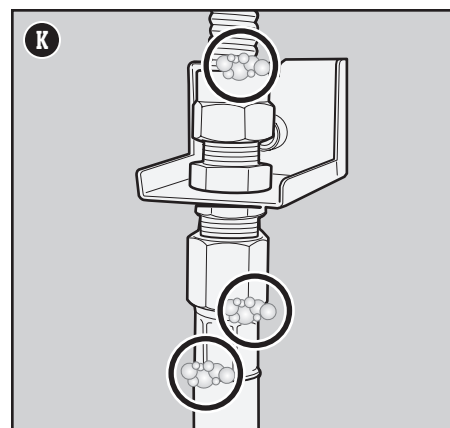
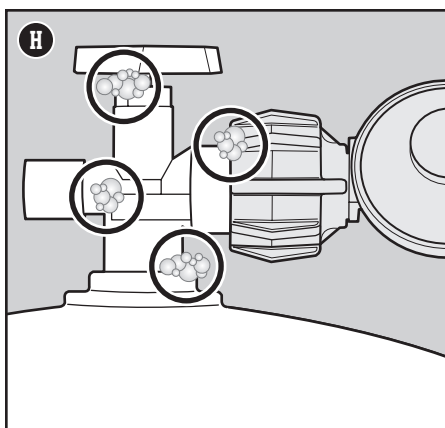
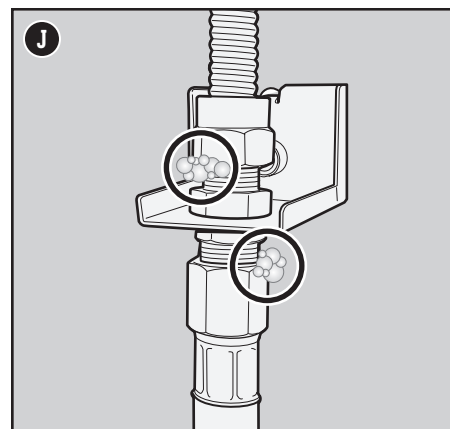
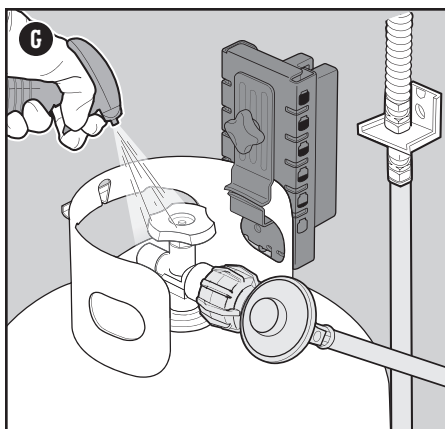
Après avoir installé correctement le réservoir de propane liquide, il est nécessaire d'effectuer une vérification des fuites. Il s'agit d'un moyen fiable de s'assurer que le gaz ne s'échappe pas du réservoir après l'avoir raccordé. Le système d'alimentation de votre barbecue comprend des raccordements effectués en usine, qui ont fait l'objet d'une vérification minutieuse des fuites, et les brûleurs ont été testés pour les flammes. WEBER recommande d'effectuer une vérification approfondie supplémentaire des fuites après l'assemblage ainsi qu'une fois par an. Les raccords suivants doivent être testés :

- Là où le détendeur se branche au réservoir.
- Là où le tuyau de gaz se connecte à la cloison.
- Là où la cloison se connecte à la ligne de gaz ondulée.

Vérification des fuites de gaz

- 1) Mouillez les raccords (G) d'eau savonneuse à l'aide d'un flacon pulvérisateur, d'une brosse ou d'un chiffon. Vous pouvez préparer votre propre solution d'eau savonneuse en mélangeant une part de savon liquide à quatre parts d'eau. Autrement, vous pouvez vous procurer une solution de vérification des fuites dans le rayon de plomberie de n'importe quelle quincaillerie.
 - 2) Ouvrez lentement l'alimentation en gaz en tournant le robinet du réservoir dans le sens contraire des aiguilles d'une montre, puis vérifiez si des bulles se forment.
 - 3) Si des bulles se forment, il y a une fuite :
 - a) Si des bulles apparaissent sur le réservoir (H), fermez l'alimentation en gaz. N'UTILISEZ PAS LE BARBECUE. Débranchez le réservoir et retournez-le à votre détaillant local.
 - b) Si des bulles apparaissent sur le détendeur (I), fermez l'alimentation en gaz. NE TENTEZ JAMAIS DE SERRER LE RÉGULATEUR LORSQUE LE ROBINET DU RÉSERVOIR EST OUVERT. N'UTILISEZ PAS LE BARBECUE. Communiquez avec le représentant du service à la clientèle de votre région à l'aide des coordonnées qui se trouvent sur notre site Web.
 - c) S'il y a présence d'une fuite à l'un des raccords indiqués dans l'illustration (J), resserrer ce raccord avec une clé, puis vérifier de nouveau s'il y a fuite avec une solution d'eau savonneuse. Si la fuite persiste, couper le gaz. NE PAS UTILISER LE BARBECUE.
 - d) S'il y a présence d'une fuite à l'un des raccords indiqués dans l'illustration (K), couper le gaz. NE PAS UTILISER LE BARBECUE.
- S'il y a présence d'une fuite, contacter le représentant du service à la clientèle de votre région au moyen des coordonnées indiquées sur notre site Internet.
- 4) Si aucune bulle ne se forme, la vérification des fuites est terminée :
 - a) Fermez l'alimentation en gaz et rincez les raccords avec de l'eau.

REMARQUE : Étant donné que certaines solutions de vérification des fuites, y compris l'eau savonneuse, peuvent être légèrement corrosives, il faut rincer tous les raccords avec de l'eau après la vérification des fuites.



⚠ **DANGER** : N'utilisez pas de flamme pour vérifier les fuites de gaz. Assurez-vous qu'il n'y a aucune étincelle ni flamme nue à proximité du barbecue lorsque vous vérifiez la présence de fuites.

⚠ **DANGER** : Une fuite de gaz peut causer un incendie ou une explosion.

⚠ **DANGER** : N'utilisez pas le barbecue si vous avez détecté une fuite de gaz.

⚠ **DANGER** : Si vous voyez du gaz s'échapper du réservoir de propane liquide, sentez une odeur de gaz ou encore entendez un sifflement :

1. Eloignez-vous du réservoir de propane liquide.
2. Ne tentez pas de corriger le problème vous-même.
3. Communiquez avec votre service d'incendie.

⚠ **DANGER** : Fermez toujours le robinet du réservoir avant de débrancher le détendeur. Ne tentez pas de débrancher le détendeur, le flexible d'alimentation en gaz ni aucun autre raccord de gaz pendant que le barbecue est en fonction.

⚠ **DANGER** : N'entreposez pas de réservoir de propane liquide de remplacement sous le barbecue ou à proximité de ce dernier. Ne remplissez jamais le réservoir à plus de 80 % de sa capacité. Le non respect "exact" de ces consignes risque d'entraîner un incendie susceptible de provoquer un décès ou des blessures graves.

Remplissage ou remplacement d'un réservoir de propane liquide

Quelle quantité de propane le réservoir contient-il?

La balance-réservoir indique la quantité de propane dans un réservoir standard de 9,07 kg. Pour connaître la quantité de propane qu'il reste dans votre réservoir, suspendez-le à la balance-réservoir, puis vérifiez l'indicateur de niveau rouge situé sur la balance. Si l'indicateur de niveau est dans le haut, le réservoir est plein (L). S'il est dans le bas, le réservoir est vide (M) ; vous devez donc le remplacer ou le remplir.

Retrait du réservoir de propane liquide

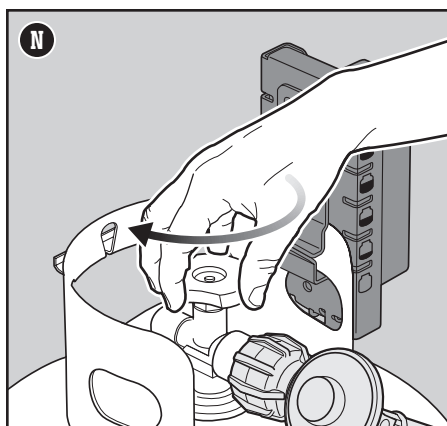
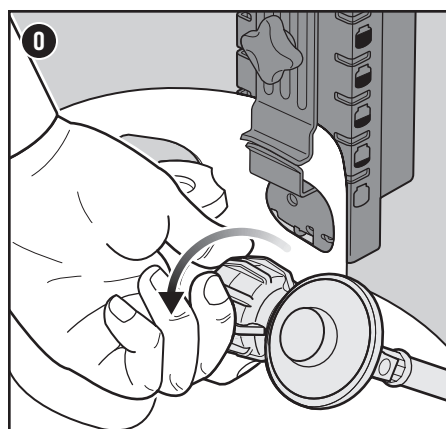
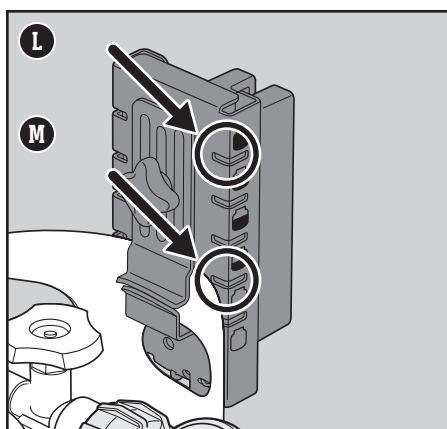
- 1) Vérifiez que le robinet du réservoir est complètement fermé. Fermez le robinet en le tournant dans le sens des aiguilles d'une montre (N).
- 2) Dévissez le raccord du détendeur en le tournant à la main dans le sens contraire des aiguilles d'une montre (O).
- 3) Desserrez l'écrou à serrage à main du réservoir et faites pivoter le verrou vers le haut.
- 4) Retirez le réservoir de la balance-réservoir.

Précautions supplémentaires de vérification d'étanchéité

Les raccords suivants doivent être testés pour les fuites de gaz chaque fois que le réservoir est rempli et réinstallé :

- Là où le détendeur se branche au réservoir (H) et sur le détendeur (I).

Suivre les instructions de la section « Vérification des fuites de gaz ».



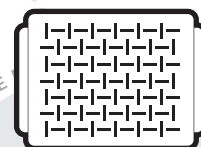
PINCEAU ET LAVETTE

Procurez-vous un pinceau doté d'un long manche et de poils en silicone résistant à la chaleur. Accompagnez-le d'une lavette dont les longs fils de coton sont idéaux pour badigeonner vos viandes de sauces liquides à base de vinaigre.



PINCE

Considérez cet ustensile comme un prolongement de votre main. La pince idéale sera dotée d'un mécanisme de tension sans effort, d'une poignée confortable et d'un verrou qui la maintient fermée.



POÊLE À FOND CANNÉLÉ

Grâce à une poêle à fond cannelé perforé, ne craignez plus de perdre dans le fond de votre barbecue les aliments qui sont trop petits ou délicats pour les grilles de cuisson.

Première utilisation de votre barbecue

Rodage initial

Allumez les brûleurs à la position Start/High (démarrage/élevé), fermez le couvercle, puis chauffez le barbecue pendant au moins 20 minutes avant de l'utiliser pour la première fois.

À chaque utilisation de votre barbecue

Entretien d'un repas à l'autre

Le plan d'entretien d'un repas à l'autre comporte des étapes simples mais importantes que vous devez toujours réaliser avant d'utiliser votre barbecue.

Vérifier la présence de graisse

Votre barbecue est équipé d'un système de traitement de la graisse qui éloigne la graisse des aliments et l'achemine directement dans un contenant jetable. Pendant que vos aliments cuisent, la graisse s'écoule vers le plateau à graisse amovible, puis dans le bac récepteur jetable qui tapisse l'égouttoir. Vous devez nettoyer ces pièces chaque fois que vous utilisez votre barbecue afin de prévenir les incendies.

- 1) Assurez-vous que le barbecue est éteint et froid.
- 2) Retirez le plateau à graisse amovible en le tirant hors du châssis (A). Enlevez toute accumulation de graisse à l'aide d'un grattoir en plastique.
- 3) Retirez l'égouttoir. Vérifiez si le bac récepteur jetable contient une quantité excessive de graisse. Jetez le bac récepteur au besoin et remplacez-le par un nouveau.
- 4) Réinstallez toutes les pièces.

Inspection du flexible

Il est nécessaire d'effectuer une inspection de routine du flexible.

- 1) Assurez-vous que le barbecue est éteint et froid.
- 2) Examinez le flexible afin de repérer tout signe de fissuration, d'abrasion ou de cassure (B). Si le flexible est endommagé de quelque façon que ce soit, n'utilisez pas le barbecue.

Préchauffage du barbecue

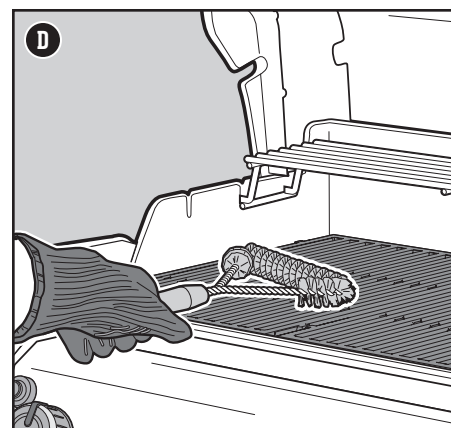
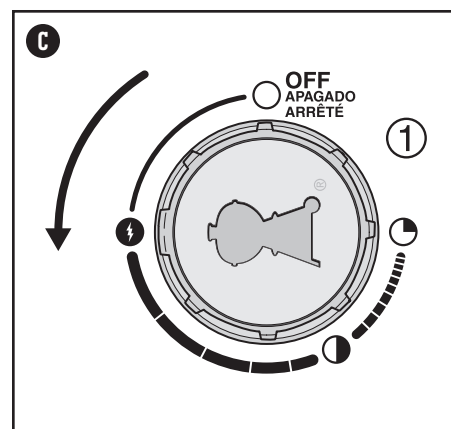
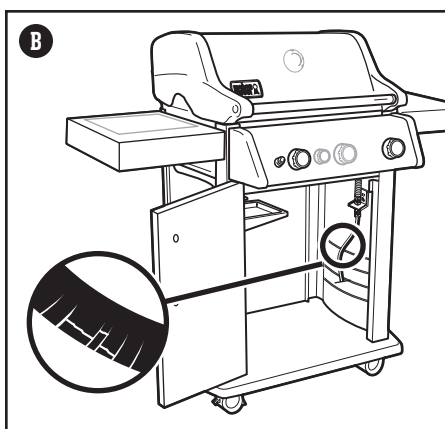
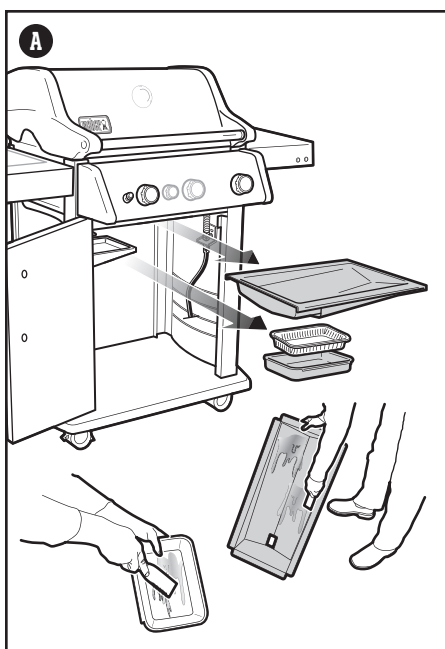
Il est essentiel de préchauffer votre barbecue pour profiter d'une expérience de cuisson optimale. Le préchauffage permet de chauffer la grille suffisamment pour saisir les aliments sans qu'ils collent à la grille. Il permet également de brûler les résidus d'un repas précédent.

- 1) Ouvrez le couvercle du barbecue.
- 2) Allumez votre barbecue conformément aux instructions d'allumage du présent manuel du propriétaire.
- 3) Fermez le couvercle.
- 4) Préchauffez le barbecue en ouvrant tous les brûleurs à la position Start/High (démarrage/élevé) ① pendant 10 à 15 minutes ou jusqu'à ce que la température du barbecue s'élève à 260 °C (500 °F) (C).

Nettoyage de la grille de cuisson

Après avoir préchauffé le barbecue, il vous sera plus facile d'enlever tout résidu de nourriture ou débris d'un repas précédent. Si vos grilles de cuisson sont propres, il y a moins de risque que les aliments y collent.

- 1) Brossez les grilles à l'aide d'une brosse à poils en acier inoxydable immédiatement après le préchauffage (D).



⚠ DANGER : Ne tapissez pas le plateau à graisse amovible ni le compartiment à cuisson de papier d'aluminium.

⚠ DANGER : Avant chaque utilisation, vérifiez qu'il n'y a pas d'accumulation de graisse dans le plateau à graisse amovible ou l'égouttoir. Retirez toute accumulation de graisse afin de prévenir les risques de feu de friture.

⚠ AVERTISSEMENT : Faire preuve de prudence, retirer avec précaution le bac de récupération couissant et se débarrasser des graisses chaudes.

⚠ AVERTISSEMENT : Utilisez des mitaines ou des gants résistants à la chaleur lorsque vous utilisez votre barbecue.

⚠ AVERTISSEMENT : Inspectez périodiquement votre brosse à barbecue afin de repérer des poils lâches et des signes d'usure excessive. Remplacez la brosse si vous détectez des poils lâches sur les grilles de cuisson ou la brosse. WEBER recommande d'acheter une nouvelle brosse à barbecue à poils en acier inoxydable chaque année, au début du printemps.

⚠ AVERTISSEMENT : Si le flexible est endommagé de quelque façon que ce soit, n'utilisez pas le barbecue. Remplacez-le par un flexible autorisé par WEBER.

⚠ AVERTISSEMENT : Les ouvertures de ventilation autour du réservoir doivent être dégagées et exemptes de débris.

Allumage du barbecue

Utiliser le système d'allumage crossover pour allumer le barbecue

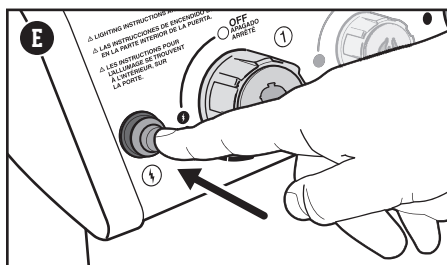
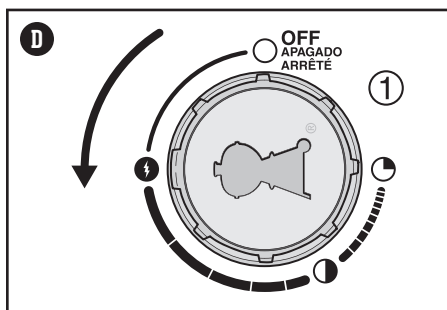
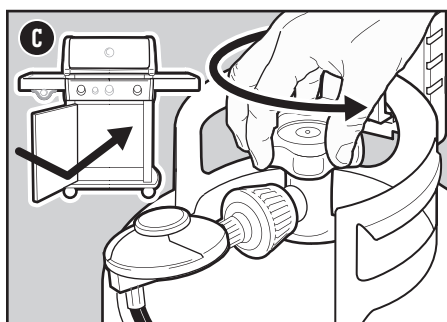
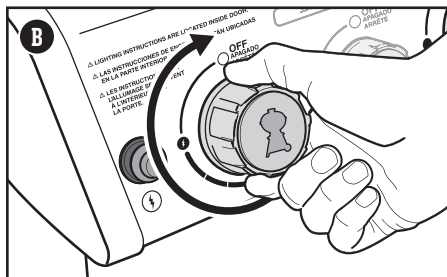
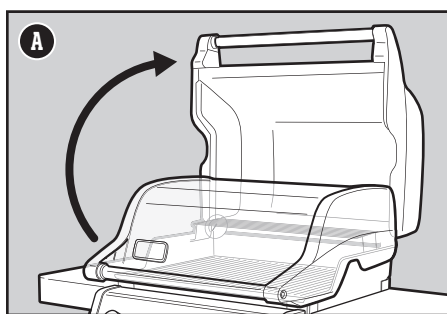
Le système d'allumage crossover allume le brûleur 1 (celui le plus à gauche) grâce à une étincelle produite par l'électrode d'allumage. L'énergie nécessaire à l'étincelle est générée lorsqu'on pousse le bouton d'allumage. Un clic provenant du système d'allumage se fera entendre. Les brûleurs 2 (et 3) peuvent être allumés qu'après le brûleur 1. Tous les brûleurs devraient être allumés pour le préchauffage, mais ils n'ont pas besoin d'être tous allumés pendant la cuisson.

- 1) Ouvrez le couvercle du barbecue (A).
- 2) Assurez-vous que tous les boutons de commande des brûleurs sont fermés (position Off [éteint] O). Pour ce faire, poussez sur chaque bouton de commande, puis tournez-le dans le sens des aiguilles d'une montre (B). **REMARQUE :** Il est important que tous les boutons de commande des brûleurs soient fermés O avant d'ouvrir le réservoir de propane liquide. Si ce n'est pas le cas, le limiteur de débit intégré au détendeur s'activera, limitant le débit de gaz émanant du réservoir.
- 3) Ouvrez l'alimentation en gaz en tournant lentement le robinet du réservoir dans le sens contraire des aiguilles d'une montre; attendez 60 secondes (C). **REMARQUE :** Il est important d'ouvrir lentement le robinet du réservoir. Autrement, le limiteur de débit intégré au détendeur s'activera, limitant le débit de gaz émanant du réservoir.
- 4) Commencer par le brûleur 1 qui se trouve à l'extrémité gauche. Enfoncer le bouton de commande du brûleur, puis le tourner dans le sens contraire des aiguilles d'une montre pour le mettre en position de démarrage (position haute) (D). **IMPORTANT :** Allumer toujours le brûleur 1 en premier. Les autres brûleurs s'allument à partir du premier.
- 5) Appuyez sur le bouton d'allumage électronique et maintenez-le enfoncé (E). Vous entendrez un cliquetis.
- 6) Vérifier que le brûleur 1 est allumé en regardant au travers des grilles de cuisson et entre les barres Flavorizer.
- 7) Si le brûleur ne s'allume pas, tournez le bouton de commande du brûleur à la position Off (éteint) O et attendez cinq minutes afin de permettre au gaz de se dissiper avant de tenter de rallumer le brûleur.
- 8) Si le brûleur 1 s'allume, on peut allumer le brûleur 2 (et le brûleur 3).

Si les brûleurs ne s'allument pas à l'aide du système d'allumage électronique, consultez la section « DÉPANNAGE ». Vous y trouverez des instructions sur la façon d'allumer le barbecue à l'aide d'une allumette afin de déterminer la cause du problème.

Extinction des brûleurs

- 1) Poussez sur le bouton de commande de chaque brûleur et tournez-le dans le sens des aiguilles d'une montre jusqu'à la position Off (éteint) O.
- 2) Coupez l'alimentation en gaz en fermant le robinet du réservoir de propane liquide.



⚠ **AVERTISSEMENT :** Allumez le barbecue avec le couvercle ouvert.

⚠ **AVERTISSEMENT :** Ne vous penchez pas au-dessus du barbecue ouvert pendant que vous l'allumez ou y faites cuire des aliments.

⚠ **AVERTISSEMENT :** Chaque brûleur doit être allumé individuellement à l'aide du bouton d'allumage électronique.

⚠ **AVERTISSEMENT :** Si le brûleur ne s'allume pas dans un délai de quatre secondes, tournez le bouton de commande du brûleur à la position Off (éteint). Attendez cinq minutes afin de permettre au gaz de se dissiper, puis répétez la procédure d'allumage.

Nettoyage et entretien

Nettoyage de l'intérieur du barbecue

Au fil du temps, il est possible que la performance de votre barbecue diminue s'il n'a pas fait l'objet d'un entretien approprié. De basses températures, un chauffage inégal, des aliments collés aux grilles de cuisson sont tous des signes qu'il est plus que temps de nettoyer votre barbecue. Lorsque votre barbecue est éteint et froid, commencez par nettoyer l'intérieur, de haut en bas. Il est recommandé de procéder à un nettoyage approfondi au moins deux fois par année. Si vous utilisez fréquemment votre barbecue, vous devriez le nettoyer tous les trois mois.

Nettoyage du couvercle

À l'occasion, vous pourriez remarquer des écaillures « semblables à de la peinture » à l'intérieur du couvercle. Lorsque le barbecue est en fonction, les vapeurs de graisse et de fumée se transforment lentement en carbone et se déposent à l'intérieur du couvercle. Ces dépôts finiront par se détacher de la paroi, d'une façon semblable à de la peinture qui s'écaille. Ces dépôts ne sont pas toxiques, mais les écaillures pourraient tomber sur vos aliments si vous ne nettoyez pas le couvercle régulièrement.

- 1) Enlevez la graisse carbonisée à l'intérieur du couvercle à l'aide d'une brosse à barbecue à poils en acier inoxydable (A). Afin d'éviter que la graisse ne s'accumule, vous pouvez essuyer l'intérieur du couvercle à l'aide d'une serviette en papier pendant que le barbecue est encore tiède (pas chaud).

Nettoyage des grilles de cuisson

Si vous avez nettoyé vos grilles de cuisson comme il est recommandé, il ne devrait pas y avoir beaucoup de résidus.

- 1) Laissez les grilles installées dans le barbecue, puis enlevez les résidus à l'aide d'une brosse à poils en acier inoxydable (B).
- 2) Retirez les grilles du barbecue et mettez-les de côté.

Nettoyage des barres FLAVORIZER

Les barres FLAVORIZER recueillent les dégoûlinades qui grésillent et créent la fumée, ajoutant ainsi de la saveur à vos aliments. Les dégoûlinades qui ne sont pas recueillies par les barres FLAVORIZER sont acheminées loin des brûleurs. Cela permet de prévenir les risques d'embranchement à l'intérieur de votre barbecue et d'éviter que les brûleurs ne s'obstruent.

- 1) Grattez les barres FLAVORIZER à l'aide d'un grattoir en plastique (C).
- 2) Au besoin, brossez les barres FLAVORIZER à l'aide d'une brosse à poils en acier inoxydable.
- 3) Retirez les barres FLAVORIZER et mettez-les de côté.

Nettoyage des brûleurs

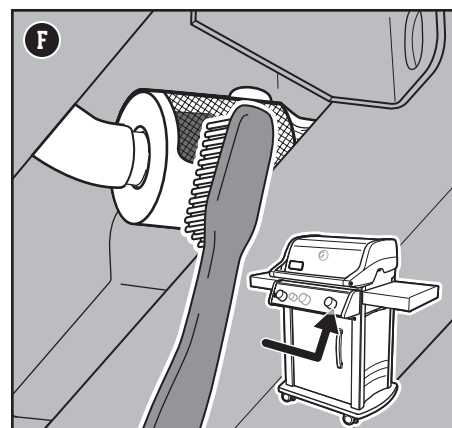
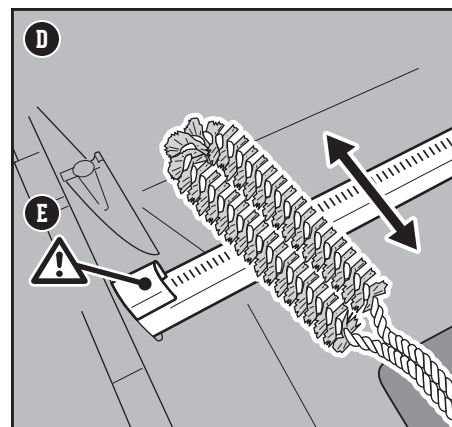
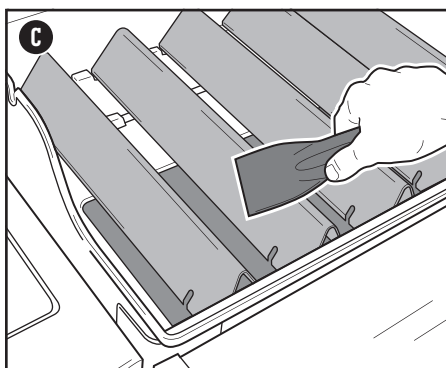
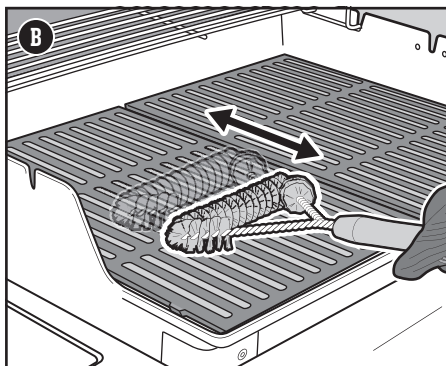
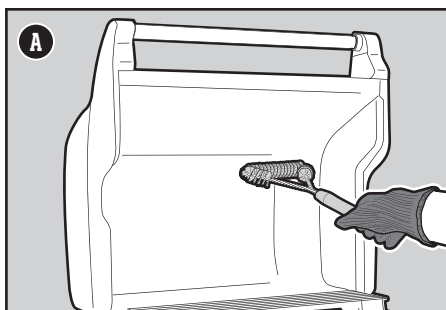
Sur les brûleurs, deux zones sont essentielles pour des performances optimales : les orifices (de petites ouvertures sur la longueur des brûleurs) ainsi que les grilles de protection contre les araignées et insectes aux les extrémités des brûleurs. Il est crucial que ces zones soient propres pour un fonctionnement sécuritaire.

Nettoyage des orifices des brûleurs

- 1) Utiliser une brosse à poils en acier inoxydable, nettoyer l'extérieur des brûleurs, brosser la partie supérieure des orifices des brûleurs (D). Ne pas brosser sur la longueur le long du tube, puisque ceci ne fera que pousser les débris d'un orifice à l'autre.
- 2) Lors du nettoyage du brûleur 1, éviter d'endommager l'électrode d'allumage latérales, en passant soigneusement la brosse tout autour (E).

Nettoyage des grilles anti-araignées

- 1) Repérez les extrémités des brûleurs, sur la face inférieure du panneau de commande, là où elles sont raccordées aux valves.
- 2) Nettoyez la grille anti-araignée de chaque brûleur à l'aide d'une brosse à poils doux (F).



⚠ **AVERTISSEMENT** : Éteignez votre barbecue et attendez qu'il refroidisse avant de le nettoyer.

⚠ **AVERTISSEMENT** : Au fil du temps, vous pourriez voir apparaître des surfaces rugueuses sur les barres FLAVORIZER. Il est recommandé de porter des gants pour manipuler les barres. Ne nettoyez pas les barres FLAVORIZER ni les grilles de cuisson dans un évier, un lave-vaisselle ou un four autonettoyant.

⚠ **AVERTISSEMENT** : Pour nettoyer les brûleurs, n'utilisez jamais une brosse qui a déjà servi à nettoyer les grilles de cuisson. N'insérez jamais d'objets pointus dans les orifices des brûleurs.

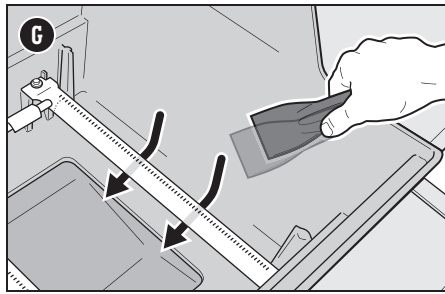
⚠ **PRUDENCE** : Ne déposez aucune pièce du barbecue sur les tablettes latérales, car elle pourrait en égratigner les surfaces peintes ou en acier inoxydable.

⚠ **PRUDENCE** : N'utilisez aucun des éléments suivants pour nettoyer votre barbecue : des encaustiques ou des peintures abrasives pour acier inoxydable; des solutions nettoyantes qui contiennent de l'acide, de l'essence minérale ou du xylène; des produits nettoyants pour le four; des produits nettoyants abrasifs (nettoyants pour la cuisine) ou des tampons nettoyeurs abrasifs.

Nettoyage du compartiment de cuisson

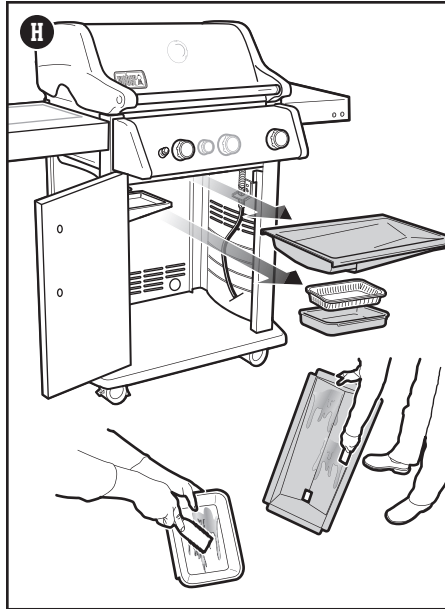
Inspectez l'intérieur du compartiment de cuisson afin de repérer tout résidu de nourriture ou accumulation de graisse. Une accumulation excessive peut causer un incendie.

- 1) Utiliser un grattoir en plastique, gratter les résidus qui se sont déposés sur les parois internes du barbecue et les pousser dans l'ouverture située au fond de la cuve (G). Cette ouverture sert à pousser les résidus vers le bac de récupération.



Nettoyage du système de traitement de la graisse

Le système de traitement de la graisse est constitué d'un plateau à graisse incliné amovible et d'un égouttoir (H). Ces composants sont conçus pour qu'il soit facile de les retirer, de les nettoyer et de les réinstaller : une procédure essentielle à suivre chaque fois que vous utilisez votre barbecue. Vous trouverez les instructions relatives à l'inspection du système de traitement de la graisse à la section « ENTRETIEN D'UN REPAS À L'AUTRE ».



Nettoyage de l'extérieur du barbecue

L'extérieur de votre barbecue se compose de surfaces en acier inoxydable, en porcelaine émaillée et en plastique. WEBER recommande d'adopter les méthodes suivantes en fonction du type de surface.

Nettoyage des surfaces en acier inoxydable

Nettoyez les surfaces en acier inoxydable à l'aide d'une solution de nettoyage ou de polissage non toxique et non abrasive pour acier inoxydable conçue pour un usage sur des barbecues et d'autres produits pour l'extérieur. À l'aide d'un linge en microfibre, nettoyez les surfaces dans le sens du grain de l'acier inoxydable. N'utilisez pas de serviette en papier.

Remarque : Ne prenez pas le risque d'égratigner les surfaces en acier inoxydable en utilisant de la pâte abrasive. La pâte abrasive ne sert pas à nettoyer ni à polir. Elle modifiera plutôt la couleur du métal en enlevant le revêtement supérieur composé d'oxyde de chrome.

Nettoyage des surfaces peintes, en porcelaine émaillée et en plastique

Nettoyez les surfaces peintes, en porcelaine émaillée et en plastique à l'aide d'eau savonneuse tiède et de serviettes en papier ou d'un linge. Après avoir essuyé les surfaces, rincez-les et séchez-les soigneusement.

Nettoyage de l'extérieur d'un barbecue situé dans un environnement exceptionnel

Si votre barbecue est soumis à des conditions particulièrement difficiles, il est recommandé d'en laver l'extérieur plus souvent. Les pluies acides, les produits chimiques pour piscine et l'eau salée peuvent entraîner la formation de rouille. Lavez l'extérieur de votre barbecue avec de l'eau savonneuse tiède. Ensuite, rincez-le et séchez-le soigneusement. De plus, vous pouvez appliquer une solution nettoyante pour acier inoxydable chaque semaine afin de prévenir la formation de rouille.

ACCESSOIRES DE BARBECUE ESSENTIELS • ACCESSOIRES DE BARBECUE ESSENTIELS

PLATS EN ALUMINIUM

Tapissez-en l'égouttoir et profitez d'un nettoyage pratique et facile.

ACCESSOIRES DE BARBECUE ESSENTIELS • ACCESSOIRES DE BARBECUE ESSENTIELS

THERMOMÈTRE

Petit et relativement peu coûteux, ce gadget essentiel mesure rapidement la température interne de la viande pendant la cuisson.

ACCESSOIRES DE BARBECUE ESSENTIELS • ACCESSOIRES DE BARBECUE ESSENTIELS

BROSSE À BARBECUE

Un incontournable avant même de penser à faire du barbecue. Un rapide coup de brosse sur les grilles chaudes empêche les restes calcinés d'un repas précédent de coller à votre repas actuel.

LE BARBECUE NE S'ALLUME PAS

SYMPTÔME

• Le brûleur ne s'allume pas, même si vous avez respecté toutes les instructions d'allumage électronique énoncées à la section « Fonctionnement » du présent manuel du propriétaire.

CAUSE

SOLUTION

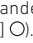

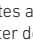
Il y a un problème avec l'alimentation en gaz.

Si le barbecue ne s'allume pas, la première étape consiste à déterminer si le gaz se rend jusqu'aux brûleurs. Pour ce faire, suivez les instructions de la section « Utilisation d'une allumette pour déterminer si le gaz se rend aux brûleurs ». Si le **barbecue NE S'ALLUME TOUJOURS PAS**, suivez les suggestions de dépannage relatives au débit de gaz à la page suivante.

Il y a un problème avec le système d'allumage électronique.

Si le barbecue ne s'allume pas, la première étape consiste à déterminer si le gaz se rend jusqu'aux brûleurs. Pour ce faire, suivez les instructions de la section « Utilisation d'une allumette pour déterminer si le gaz se rend aux brûleurs ». Si le **barbecue S'ALLUME**, suivez les instructions de la section « Vérification des composants du système d'allumage électronique » ci-dessous.

Utilisation d'une allumette pour déterminer si le gaz se rend aux brûleurs

- Ouvrez le couvercle du barbecue.
- Assurez-vous que tous les boutons de commande des brûleurs sont fermés (position Off [éteint] ). Pour ce faire, poussez sur chaque bouton de commande, puis tournez-le dans le sens des aiguilles d'une montre.
Remarque : Il est important que tous les boutons de commande des brûleurs soient fermés avant d'ouvrir le réservoir de propane liquide. Si ce n'est pas le cas, le limiteur de débit intégré au détendeur s'activera, limitant le débit de gaz émanant du réservoir.
- Ouvrez l'alimentation en gaz en tournant lentement le robinet du réservoir dans le sens contraire des aiguilles d'une montre; attendez 60 secondes.
Remarque : Il est important d'ouvrir lentement le robinet du réservoir. Autrement, le limiteur de débit intégré au détendeur s'activera, limitant le débit de gaz émanant du réservoir.
- Commencer avec le brûleur 1 qui se trouve à l'extrémité gauche. Mettre l'allumette dans le porte-allumettes et l'allumer. Introduire l'allumette allumée au travers des grilles de cuisson et des barres Flavorizer pour placer l'extrémité allumée à côté du brûleur (A).
- Poussez sur le bouton de commande, puis tournez-le dans le sens contraire des aiguilles d'une montre jusqu'à la position Start/High (démarrage/élevé) .
- Vérifier que le brûleur est allumé en regardant au travers des grilles de cuisson et des barres Flavorizer (B).
- Si le brûleur ne s'allume pas dans un délai de quatre secondes, tournez le bouton de commande du brûleur à la position Off (éteint)  et attendez cinq minutes afin de permettre au gaz de se dissiper avant de tenter de rallumer le brûleur. Si après plusieurs tentatives le barbecue ne s'allume pas, suivez les instructions de dépannage relatives au débit de gaz à la page suivante.
- Si le brûleur s'allume, le problème se situe au niveau du système d'allumage. Suivez les instructions de la section « Vérification des composants du système d'allumage électronique ».
- Après avoir allumé le brûleur 1, on peut allumer le brûleur 2 (et brûleur 3).

Vérification des composants du système d'allumage électronique

Quand vous appuyez sur le bouton d'allumage, vous devriez entendre un cliquetis. Si ce n'est pas le cas, vérifiez la pile, puis les fils.

Vérification de la pile

Trois causes possibles peuvent expliquer pourquoi la pile qui alimente le module d'allumage fait défaut :

- Certaines piles sont enveloppées d'une pellicule protectrice en plastique. (Ne confondez pas ce plastique avec l'étiquette de la pile.) Vérifiez si la pellicule de plastique a été retirée.
- Vérifiez que la pile a été installée correctement (C).
- Si la pile est vieille, remplacez-la par une neuve.

Vérification des fils

Deux endroits doivent faire l'objet d'une vérification :

- Vérifiez que les fils d'allumage sont correctement branchés sur les bornes du bouton d'allumage, sous le panneau de commande.
- Assurez-vous que les fils d'allumage sont correctement fixés au module d'allumage. Les coses sont codées par couleur afin de correspondre aux bornes du module d'allumage. Le nombre de fils variera selon le modèle.

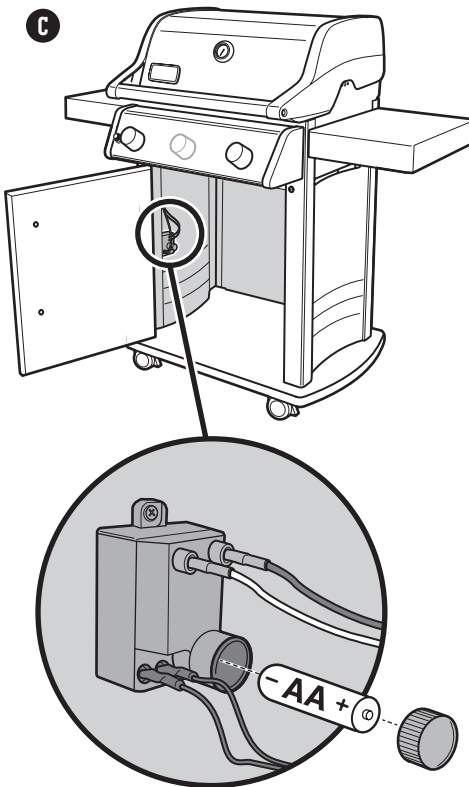
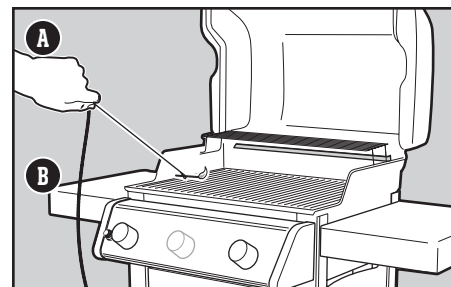
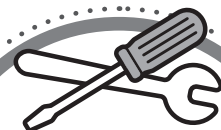
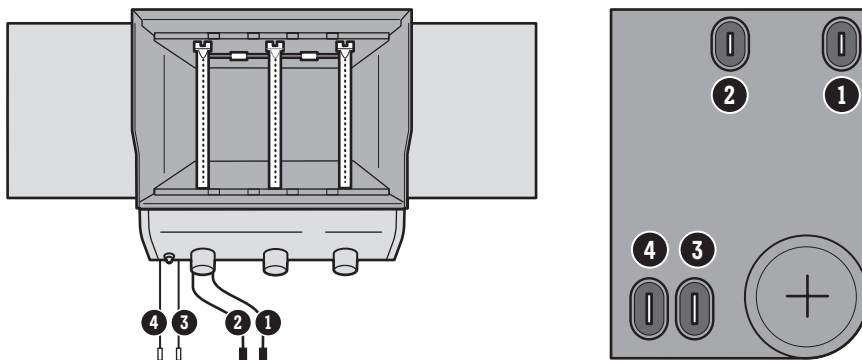


Schéma des câbles du module d'allumage



PIÈCES DE REMPLACEMENT

Pour obtenir des pièces de remplacement, communiquez avec le détaillant de votre région ou connectez-vous au site weber.com.

DÉBIT DE GAZ

SYMPTÔME

- Le barbecue n'atteint pas la température souhaitée ou chauffe inégalement.
- Un ou plusieurs des brûleurs ne s'allument pas.
- La flamme est basse même si le brûleur est à la position Start/High (démarrage/élevé).
- Les flammes ne courent pas sur toute la longueur du brûleur.
- Le brûleur produit des flammes irrégulières.

CAUSE

SOLUTION

Le limiteur de débit a été activé. Ce dispositif de sécurité intégré au détendeur limite le débit de gaz en cas de fuite. Vous pouvez avoir activé ce dispositif par mégarde sans qu'il y ait une fuite de gaz. Cette situation se produit généralement si vous ouvrez le robinet du réservoir de propane liquide et que l'un ou plusieurs des boutons de commande des brûleurs ne sont pas à la position Off (éteint) ○. Attendez cinq minutes pour permettre au gaz de se dissiper, puis tentez une nouvelle fois d'allumer le barbecue en suivant les instructions à la section « Fonctionnement » du présent manuel.

Réinitialisez le limiteur de débit en fermant le robinet du réservoir de propane liquide et en tournant tous les boutons de commande des brûleurs à la position Off (éteint) ○. Attendez cinq minutes pour permettre au gaz de se dissiper, puis tentez une nouvelle fois d'allumer le barbecue en suivant les instructions à la section « Fonctionnement » du présent manuel.

La quantité de propane dans le réservoir est basse, ou le réservoir est vide.

Remplissez le réservoir de propane liquide.

Le flexible d'alimentation en carburant est plié ou tordu.

Redressez le flexible d'alimentation en carburant.

Les orifices des brûleurs sont sales.

Nettoyez les orifices des brûleurs. Consultez la section « Nettoyage des orifices des brûleurs ».

SYMPTÔME

- Une odeur de gaz émane du barbecue et les flammes des brûleurs sont jaunes et faibles.

CAUSE

SOLUTION

Les grilles anti-araignées des brûleurs sont obstruées.

Nettoyez les grilles anti-araignées. Consultez la section « Nettoyage des grilles anti-araignées ». Reportez-vous également aux illustrations et aux renseignements de cette section relativement au type de flammes et aux grilles anti-araignées.

SYMPTÔME

- Une odeur de gaz émane du barbecue et un sifflement se fait entendre.

CAUSE

SOLUTION

Le joint en caoutchouc interne du robinet du réservoir de propane liquide est peut-être endommagé.

Éteignez toute flamme visible. Fermez l'alimentation en gaz du barbecue. Inspectez le joint en caoutchouc. S'il est endommagé, retournez le réservoir à l'endroit où vous l'avez acheté.

La connexion entre le régulateur et le réservoir de propane liquide peut être inadéquate.

Éteignez toute flamme visible. Fermez l'alimentation en gaz du barbecue. Consultez la section de votre manuel du propriétaire qui porte sur l'installation du réservoir de propane liquide et la vérification de fuites.

BARBECUE GRAISSEUX (écaillures de peinture)

SYMPTÔME

- L'intérieur du couvercle semble avoir l'apparence de peinture écaillée.

CAUSE

SOLUTION

Les écaillures que vous voyez représentent en fait des vapeurs de cuisson accumulées qui se sont transformées en carbone.

Cette situation se produit au fil du temps, après un usage répété de votre barbecue. Il ne s'agit pas d'une déféctuosité. Nettoyez le couvercle. Consultez la section « Entretien de l'appareil ».

SYMPTÔME

- Des écaillures se détachent du couvercle pendant la cuisson ou le préchauffage.

CAUSE

SOLUTION

Il y a des résidus de nourriture d'un repas précédent.

Préchauffez toujours le barbecue en allumant tous les brûleurs à la position Start/High (démarrage/élevé) pendant 10 à 15 minutes.

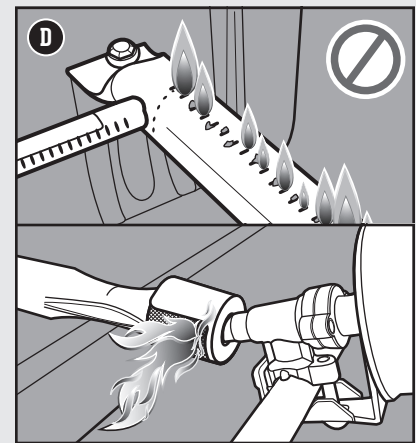
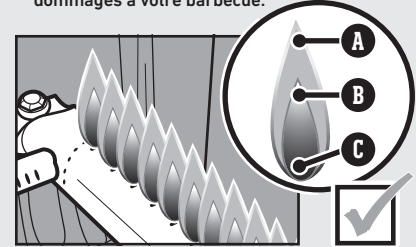
L'intérieur du barbecue doit être nettoyé à fond.

Suivez les étapes de la section « Nettoyage et entretien » pour nettoyer l'intérieur de votre barbecue de haut en bas.

Type de flammes appropriées

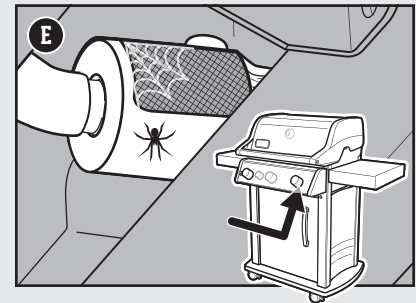
Les brûleurs de votre barbecue ont été réglés en usine afin qu'ils soient alimentés par un mélange d'air et de gaz approprié. Lorsque les brûleurs fonctionnent correctement, vous verrez un type de flammes particulier. Vacillant à l'occasion, les pointes jaunes (A) se superposent à une flamme bleu pâle (B) et se terminent par une flamme bleu foncé (C).

⚠ AVERTISSEMENT : Des orifices sales et bouchés peuvent restreindre le débit de gaz, ce qui pourrait causer un feu (D) dans et autour des soupapes de gaz et causer de graves dommages à votre barbecue.



Grilles anti-araignées

Les ouvertures d'air de combustion des brûleurs (E) sont dotées de grilles en acier inoxydable visant à empêcher les araignées et d'autres insectes de tisser des toiles et de construire des nids à l'intérieur des brûleurs. De la poussière et des débris peuvent s'accumuler à l'extérieur des grilles anti-araignées, entravant ainsi le débit d'oxygène vers les brûleurs.



APPELÉZ LE SERVICE À LA CLIENTÈLE



Si vous éprouvez encore des problèmes, communiquez avec le représentant du service à la clientèle de votre région à l'aide des coordonnées qui se trouvent sur le site weber.com.

⚠ AVERTISSEMENT : Ne tentez pas de réparer les composants d'alimentation en gaz, de combustion du gaz, d'allumage ou de structure avant d'avoir communiqué avec le Centre de service à la clientèle de Weber-Stephen Products LLC.

⚠ AVERTISSEMENT : Toute garantie sera annulée si des réparations ou des remplacements ne sont pas réalisés avec des pièces Weber-Stephen authentiques.

⚠ ATTENTION : Les ouvertures des tubes du brûleur doivent être correctement positionnées au-dessus des orifices des valves.

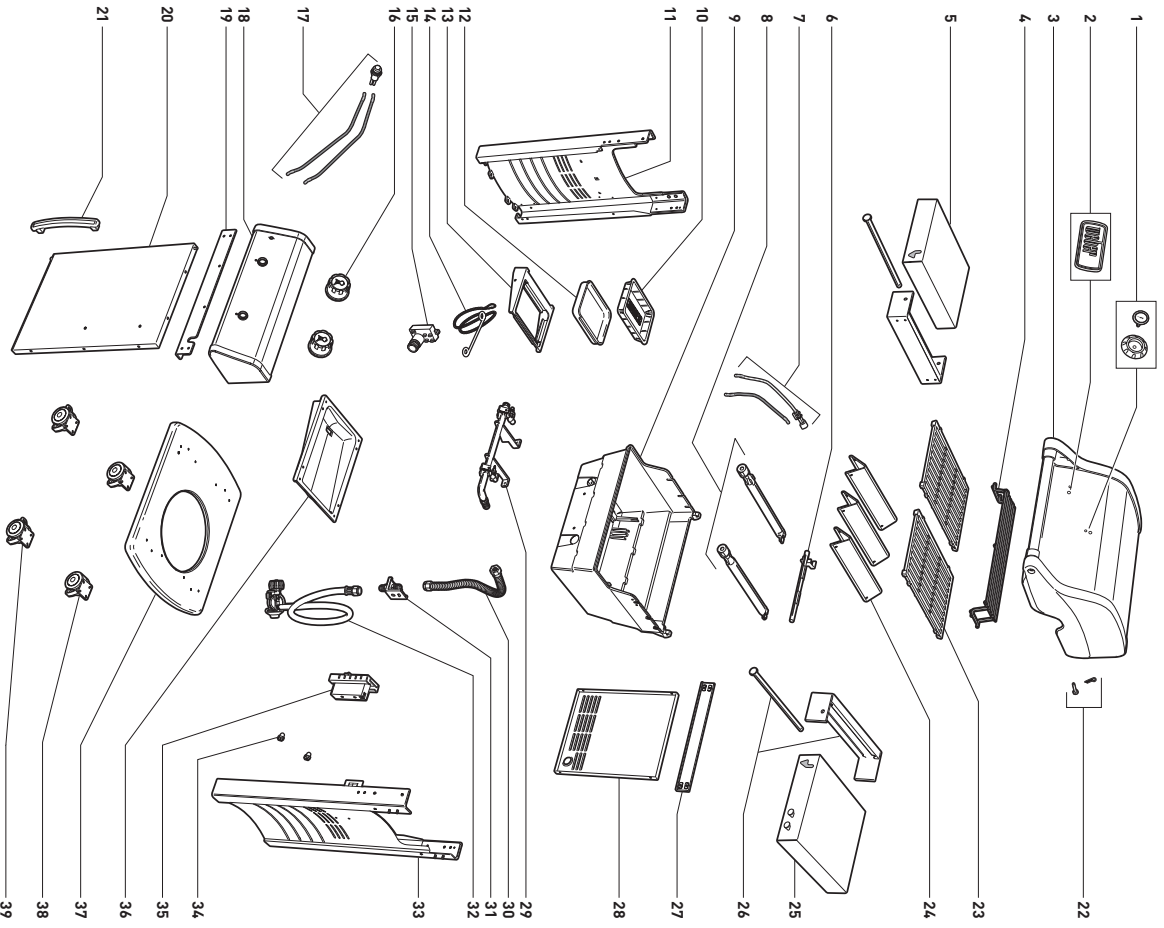
Guide de cuisson

Type	Épaisseur/poids	Temps de cuisson approximatif
 VIANDE ROUGE		
	2 cm d'épaisseur	De 4 à 6 minutes à chaleur élevée directe
Steak : coquette d'ailou, ailou, faux-filet, bifteck d'ailou et filet mignon (filet)	2,5 cm d'épaisseur	De 6 à 8 minutes à chaleur élevée directe
	5 cm d'épaisseur	De 14 à 18 minutes saisir de 6 à 8 minutes à chaleur élevée directe, puis de 8 à 10 minutes à chaleur élevée indirecte
Bavette de flanchet	0,7 à 0,9 kg, 2 cm d'épaisseur	De 8 à 10 minutes à chaleur moyenne directe
Fricadelles de bœuf	2 cm d'épaisseur	De 8 à 10 minutes à chaleur moyenne directe
Filet	De 1,4 à 1,8 kg	De 45 à 60 minutes 15 minutes à chaleur moyenne directe, puis de 30 à 45 minutes à chaleur moyenne indirecte
 PORC		
Saucisses Bratwurst : fraîches	85 g le chaînon	De 20 à 25 minutes à chaleur faible directe
	2 cm d'épaisseur	De 6 à 8 minutes à chaleur élevée directe
Côtelette : avec ou sans l'os	De 3 à 3,8 cm d'épaisseur	De 10 à 12 minutes saisir 6 minutes à chaleur élevée directe, puis de 4 à 6 minutes à chaleur élevée indirecte
Côtes : petites côtes levées de dos, côtes levées	De 1,4 à 1,8 kg	De 1 heure et demie à 2 heures à chaleur moyenne indirecte
Côtes : longe avec l'os	De 1,4 à 1,8 kg	De 1 heure et demie à 2 heures à chaleur moyenne indirecte
Filet	0,45 kg	30 minutes saisir 5 minutes à chaleur élevée directe, puis 25 minutes à chaleur moyenne indirecte
 VOLAILLE		
Poitrine de poulet : sans la peau ni les os	De 170 à 227 g	De 8 à 12 minutes à chaleur moyenne directe
Cuisse de poulet : sans la peau ni les os	113 g	De 8 à 10 minutes à chaleur moyenne directe
Morceaux de poulet : avec l'os, assortis	De 85 à 170 g	De 36 à 40 minutes de 6 à 10 minutes à chaleur faible directe, puis 30 minutes à chaleur moyenne indirecte
Poulet : entier	1,8 à 2,3 kg	De 1 heure à 1 heure et quart à chaleur moyenne indirecte
Poulet de Cornouailles	De 0,68 à 0,91 kg	De 60 à 70 minutes à chaleur moyenne indirecte
Dinde : entière, non farcie	De 4,5 à 5,4 kg	De 2 heures à 2 heures et demie à chaleur moyenne indirecte
 FRUITS DE MER		
Poisson, filet ou steak : flétan, vivaneau rouge, saumon, bar commun, espadon et thon	De 0,6 à 1,3 cm d'épaisseur	De 3 à 5 minutes à chaleur moyenne directe
	De 2,5 à 3 cm d'épaisseur	De 10 à 12 minutes à chaleur moyenne directe
Poisson : entier	0,45 kg	De 15 à 20 minutes à chaleur moyenne indirecte
	1,4 kg	De 30 à 45 minutes à chaleur moyenne indirecte
Crevettes	43 g	De 2 à 4 minutes à chaleur élevée directe
 LÉGUMES		
Asperge	Diamètre de 1,3 cm	De 6 à 8 minutes à chaleur moyenne directe
Maïs	Vêtu	De 25 à 30 minutes à chaleur moyenne directe
	Dépouillé	De 10 à 15 minutes à chaleur moyenne directe
Champignon	Shiitake ou champignon en bouton	De 8 à 10 minutes à chaleur moyenne directe
	Champignon de Paris	De 10 à 15 minutes à chaleur moyenne directe
Oignon	Coupé en deux	De 35 à 40 minutes à chaleur moyenne indirecte
	En tranches de 1,3 cm	De 8 à 12 minutes à chaleur moyenne directe
Pomme de terre	Entière	De 45 à 60 minutes à chaleur moyenne indirecte
	En tranches de 1,3 cm	De 9 à 11 minutes précuite 3 minutes, puis de 6 à 8 minutes à chaleur moyenne directe

Les coupes, les épaisseurs, les poids et les temps de cuisson présentés ci-dessus sont fournis à titre indicatif seulement. Des facteurs comme l'altitude, le vent et la température extérieure peuvent influencer sur le temps de cuisson. Deux règles générales : Grillez les steaks, les filets de poisson, les morceaux de poulet sans os et les légumes à l'aide de la méthode de cuisson directe en respectant le temps de cuisson fourni dans le tableau (ou jusqu'à la cuisson désirée). Tournez les aliments à la mi-cuisson. Grillez les rôtis, les volailles entières, les morceaux de volaille avec os, les poissons entiers et les viandes dont la coupe est épaisse à l'aide de la méthode de cuisson indirecte en respectant le temps de cuisson fourni dans le tableau (ou jusqu'à ce qu'un thermomètre à lecture instantanée affiche la température interne souhaitée). Sauf indication contraire, les temps de cuisson du bœuf et de l'agneau ont été établis selon la définition de « cuisson moyenne » établie par le Département de l'Agriculture des États-Unis (USDA). Avant de les couper, laissez reposer les rôtis, les gros morceaux de viande ainsi que les côtelettes et les steaks épais pendant 5 à 10 minutes après la cuisson. La température interne de la viande augmentera de 5 à 10 degrés pendant ce temps.

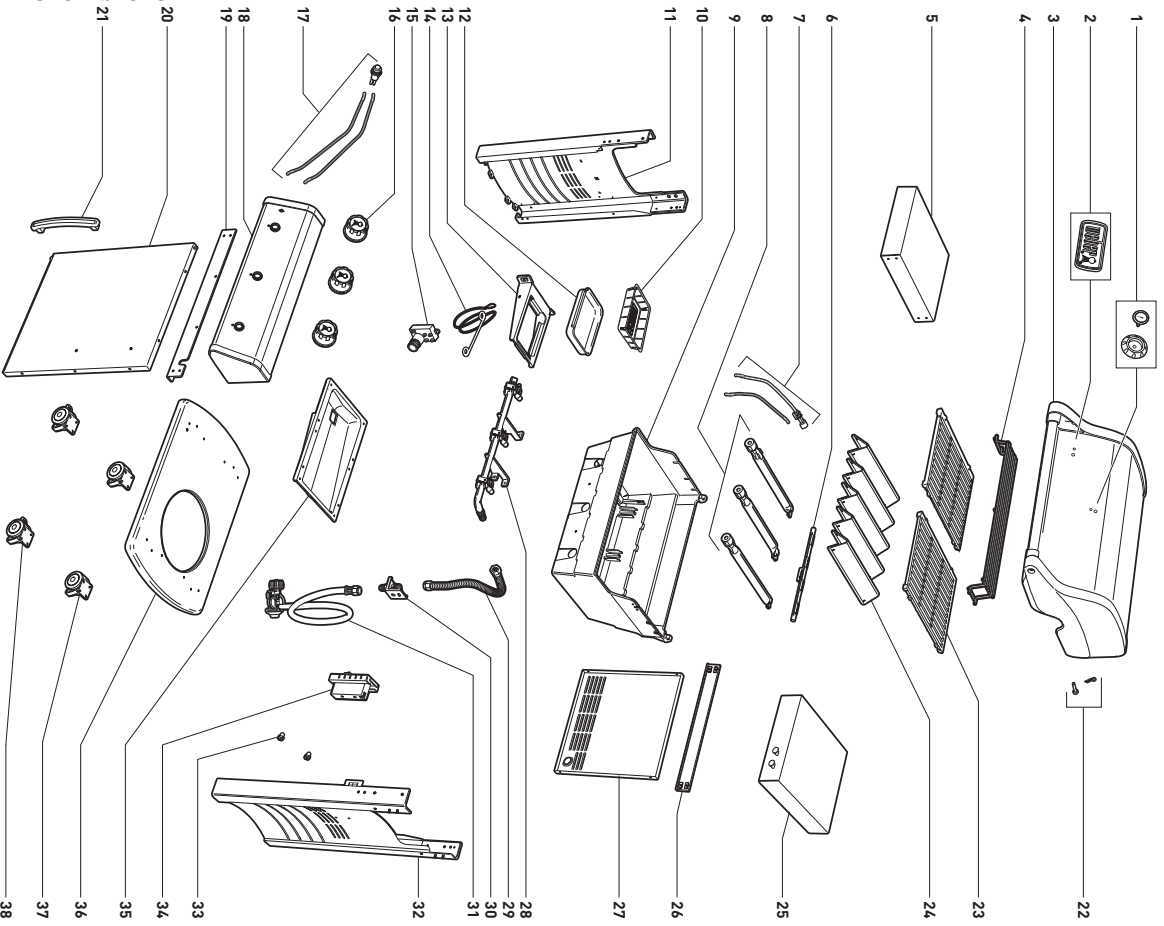


Spirit E-215_LP_US_050519



SPIRIT E-215

Spirit E/S-315_LP_US_050519



SPIRIT E-315 · S-315



weber.com

U.S./EE. UU./États-Unis :
1-800-446-1071

Mexico/México/Mexique :
01 800 0093237

Canada/Canadá/Canada :
1-800-446-1071