



GRILL OWNER'S GUIDE

LP

YOU MUST READ THIS OWNER'S GUIDE BEFORE OPERATING YOUR GAS GRILL.

REGISTER YOUR GRILL

Thank you for purchasing a WEBER grill. Take a few minutes to protect your investment by registering your grill online at www.weber.com. Reference the serial number on the front cover of this owner's guide.

⚠ DANGER

If you smell gas:

- 1) Shut off gas to the appliance.
- 2) Extinguish any open flames.
- 3) Open lid.
- 4) If odor continues, keep away from the appliance and immediately call your gas supplier or your fire department.

Leaking gas may cause a fire or explosion which can cause serious bodily injury, death, or damage to property.

Carefully follow all leak-check procedures in this Owner's Guide prior to grill operation. Do this even if the grill was dealer-assembled.

Do not ignite this appliance without first reading the burner ignition sections of this manual.

⚠ WARNING

- 1) Do not store or use gasoline or other flammable liquids or vapors in the vicinity of this or any other appliance.
- 2) An LP tank not connected for use shall not be stored in the vicinity of this or any other appliance.

THIS GAS APPLIANCE IS DESIGNED FOR OUTDOOR USE ONLY.

NOTICE TO INSTALLER: These instructions must be left with the owner, who should keep them for future use.

Before you begin



Enhance your assembly experience.

Download the free BILT™ app for 3D step-by-step instructions.



52803

WARNINGS

⚠ DANGER

Failure to follow the DANGERS, WARNINGS and CAUTIONS contained in this Owner's Guide may result in serious bodily injury or death, or may result in a fire or an explosion causing damage to property.

WARNINGS:

- ⚠ Improper assembly of grill may be dangerous. Please follow the assembly instructions carefully.
- ⚠ Do not use this grill unless all parts are in place. The grill must be properly assembled according to the assembly instructions.
- ⚠ Your WEBER gas grill should never be used by children. Accessible parts of the grill may be very hot. Keep young children away while grill is in use.
- ⚠ Exercise caution when using your WEBER gas grill. It will be hot during cooking or cleaning, and should never be left unattended, or moved while in operation.
- ⚠ Do not use charcoal or lava rock in your WEBER gas grill.
- ⚠ While igniting the grill or cooking, never lean over open grill.
- ⚠ Never place hands or fingers on the front edge of the cookbox when the grill is hot or the lid is open.
- ⚠ Do not attempt to disconnect the gas regulator and hose assembly or any gas fitting while your grill is in operation.
- ⚠ Use heat-resistant barbecue mitts or gloves when operating grill.
- ⚠ Use the pressure regulator and hose assembly that is supplied with your WEBER gas grill.
- ⚠ Should the burners go out while grill is in operation, turn all gas valves off. Open the lid and wait five minutes before attempting to relight grill, using the igniting instructions.
- ⚠ Do not use the grill within 24 inches (61cm) of combustible materials. This includes the top, bottom, back or sides of the grill.
- ⚠ Do not build this model of grill in any built-in or slide-in construction. Ignoring this WARNING could cause a fire or an explosion that can damage property and cause serious bodily injury or death.
- ⚠ Do not store an extra (spare) or disconnected liquid propane tank under or near this grill.
- ⚠ After a period of storage and/or nonuse, the WEBER gas grill should be checked for gas leaks and burner obstructions before use. See instructions in this Owner's Guide for correct procedures.
- ⚠ Do not operate the WEBER gas grill if there is a gas leak present.
- ⚠ Do not use a flame to check for gas leaks.
- ⚠ Do not put a grill cover or anything flammable on, or in the storage area under the grill while grill is in operation or is hot.
- ⚠ Liquid propane gas is not natural gas. The conversion or attempted use of natural gas in a liquid propane gas unit or liquid propane gas in a natural gas unit is dangerous and will void your warranty.
- ⚠ Keep any electrical supply cord and the fuel supply hose away from any heated surfaces.
- ⚠ Do not enlarge valve orifices or burner ports when cleaning the valves or burners.
- ⚠ The WEBER gas grill should be thoroughly cleaned on a regular basis.
- ⚠ A dented or rusty liquid propane tank may be hazardous and should be checked by your liquid propane supplier. Do not use a liquid propane tank with a damaged valve.
- ⚠ Although your liquid propane tank may appear to be empty, gas may still be present, and the tank should be transported and stored accordingly.
- ⚠ If you see, smell or hear the hiss of gas escaping from the liquid propane tank:
 1. Move away from liquid propane tank.
 2. Do not attempt to correct the problem yourself.
 3. Call your fire department.
- ⚠ Should a grease fire occur, turn off all burners and leave lid closed until fire is out.

CALIFORNIA PROPOSITION 65:

- ⚠ **WARNING:** Combustion byproducts produced when using this product contain chemicals known to the state of California to cause cancer, birth defects, or other reproductive harm.
- ⚠ **PROPOSITION 65 WARNING:** Handling the brass material on this product exposes you to lead, a chemical known to the state of California to cause cancer, birth defects or other reproductive harm. *Wash hands after handling this product.*



WARRANTY

Thank you for purchasing a WEBER product. Weber-Stephen Products LLC, 1415 S. Roselle Road, Palatine, Illinois 60067 ("WEBER") prides itself on delivering a safe, durable, and reliable product.

This is WEBER's Voluntary Warranty provided to you at no extra charge. It contains the information you will need to have your WEBER product repaired in the unlikely event of a failure or defect.

Pursuant to applicable laws, the customer has several rights in case the product is defective. Those rights include supplementary performance or replacement, abatement of the purchasing price, and compensation. In the European Union, for example, this would be a two-year statutory warranty starting on the date of the handover of the product. These and other statutory rights remain unaffected by this warranty provision. In fact, this warranty grants additional rights to the Owner that are independent from statutory warranty provisions.

WEBER'S VOLUNTARY WARRANTY

WEBER warrants, to the purchaser of the WEBER product (or in the case of a gift or promotional situation, the person for whom it was purchased as a gift or promotional item), that the WEBER product is free from defects in material and workmanship for the period(s) of time specified below when assembled and operated in accordance with the accompanying Owner's Manual. (Note: If you lose or misplace your WEBER Owner's Manual, a replacement is available online at www.weber.com, or such country-specific website to which Owner may be redirected.) Under normal, private single family home or apartment use and maintenance, WEBER agrees within the framework of this warranty to repair or replace defective parts within the applicable time periods, limitations, and exclusions listed below. TO THE EXTENT ALLOWABLE BY APPLICABLE LAW, THIS WARRANTY IS EXTENDED ONLY TO THE ORIGINAL PURCHASER AND IS NOT TRANSFERABLE TO SUBSEQUENT OWNERS, EXCEPT IN THE CASE OF GIFTS AND PROMOTIONAL ITEMS AS NOTED ABOVE.

OWNER'S RESPONSIBILITIES UNDER THIS WARRANTY

To ensure trouble-free warranty coverage, it is important (but it is not required) that you register your WEBER product online at www.weber.com, or such country-specific website to which Owner may be redirected. Please also retain your original sales receipt and/or invoice. Registering your WEBER product confirms your warranty coverage and provides a direct link between you and WEBER in case we need to contact you.

The above warranty only applies if the Owner takes reasonable care of the WEBER product by following all assembly instructions, usage instructions, and preventative maintenance as outlined in the accompanying Owner's Manual, unless the Owner can prove that the defect or failure is independent of non-compliance with the above mentioned obligations. If you live in a coastal area, or have your product located near a pool, maintenance includes regular washing and rinsing of the exterior surfaces as outlined in the accompanying Owner's Manual.

WARRANTY HANDLING / EXCLUSION OF WARRANTY

If you believe that you have a part which is covered by this Warranty, please contact WEBER Customer Service using the contact information on our website (www.weber.com), or such country-specific website to which Owner may be redirected). WEBER will, upon investigation, repair or replace (at its option) a defective part that is covered by this Warranty. In the event that repair or replacement are not possible, WEBER may choose (at its option) to replace the grill in question with a new grill of equal or greater value. WEBER may ask you to return parts for inspection, shipping charges to be pre-paid.

This WARRANTY lapses if there are damages, deteriorations, discolorations, and/or rust for which WEBER is not responsible caused by:

- Abuse, misuse, alteration, modification, misapplication, vandalism, neglect, improper assembly or installation, and failure to properly perform normal and routine maintenance;
- Insects (such as spiders) and rodents (such as squirrels), including but not limited to damage to burner tubes and/or gas hoses;
- Exposure to salt air and/or chlorine sources such as swimming pools and hot tubs/spas;
- Severe weather conditions such as hail, hurricanes, earthquakes, tsunamis or surges, tornadoes or severe storms.

Any parts that are used and/or installed on your WEBER product that are not genuine WEBER parts are not covered by this Warranty. Any damages that result from the use and/or installation of parts on your WEBER product that are not genuine WEBER parts are not covered by this Warranty. Any conversion of a gas grill not authorized by WEBER and performed by a WEBER authorized service technician will void this Warranty.

The grills illustrated in this Owner's Guide may vary slightly from the model purchased.

PRODUCT WARRANTY PERIODS

Cookbox:
5 years, no rust through/burn through
(2 years paint excluding fading or discoloration)

Lid assembly:
5 years, no rust through/burn through
(2 years paint excluding fading or discoloration)

Stainless steel burner tubes:
5 years, no rust through/burn through

Porcelain-enameled cast iron cooking grates:
5 years, no rust through/burn through

Plastic components:
5 years, excluding fading or discoloration

All remaining parts:
2 years

DISCLAIMERS

APART FROM THE WARRANTY AND DISCLAIMERS AS DESCRIBED IN THIS WARRANTY STATEMENT, THERE ARE EXPLICITLY NO FURTHER WARRANTY OR VOLUNTARY DECLARATIONS OF LIABILITY GIVEN HERE WHICH GO BEYOND THE STATUTORY LIABILITY APPLYING TO WEBER. THE PRESENT WARRANTY STATEMENT ALSO DOES NOT LIMIT OR EXCLUDE SITUATIONS OR CLAIMS WHERE WEBER HAS MANDATORY LIABILITY AS PRESCRIBED BY STATUTE.

NO WARRANTIES SHALL APPLY AFTER THE APPLICABLE PERIODS OF THIS WARRANTY. NO OTHER WARRANTIES GIVEN BY ANY PERSON, INCLUDING A DEALER OR RETAILER, WITH RESPECT TO ANY PRODUCT (SUCH AS ANY "EXTENDED WARRANTIES"), SHALL BIND WEBER. THE EXCLUSIVE REMEDY OF THIS WARRANTY IS REPAIR OR REPLACEMENT OF THE PART OR PRODUCT.

IN NO EVENT UNDER THIS VOLUNTARY WARRANTY SHALL RECOVERY OF ANY KIND BE GREATER THAN THE AMOUNT OF THE PURCHASE PRICE OF THE WEBER PRODUCT SOLD.

YOU ASSUME THE RISK AND LIABILITY FOR LOSS, DAMAGE, OR INJURY TO YOU AND YOUR PROPERTY AND/OR TO OTHERS AND THEIR PROPERTY ARISING OUT OF THE MISUSE OR ABUSE OF THE PRODUCT OR FAILURE TO FOLLOW INSTRUCTIONS PROVIDED BY WEBER IN THE ACCOMPANYING OWNER'S MANUAL.

PARTS AND ACCESSORIES REPLACED UNDER THIS WARRANTY ARE WARRANTED ONLY FOR THE BALANCE OF THE ABOVE MENTIONED ORIGINAL WARRANTY PERIOD(S).

THIS WARRANTY APPLIES TO PRIVATE SINGLE FAMILY HOME OR APARTMENT USE ONLY AND DOES NOT APPLY TO WEBER GRILLS USED IN COMMERCIAL, COMMUNAL OR MULTI-UNIT SETTINGS SUCH AS RESTAURANTS, HOTELS, RESORTS, OR RENTAL PROPERTIES.

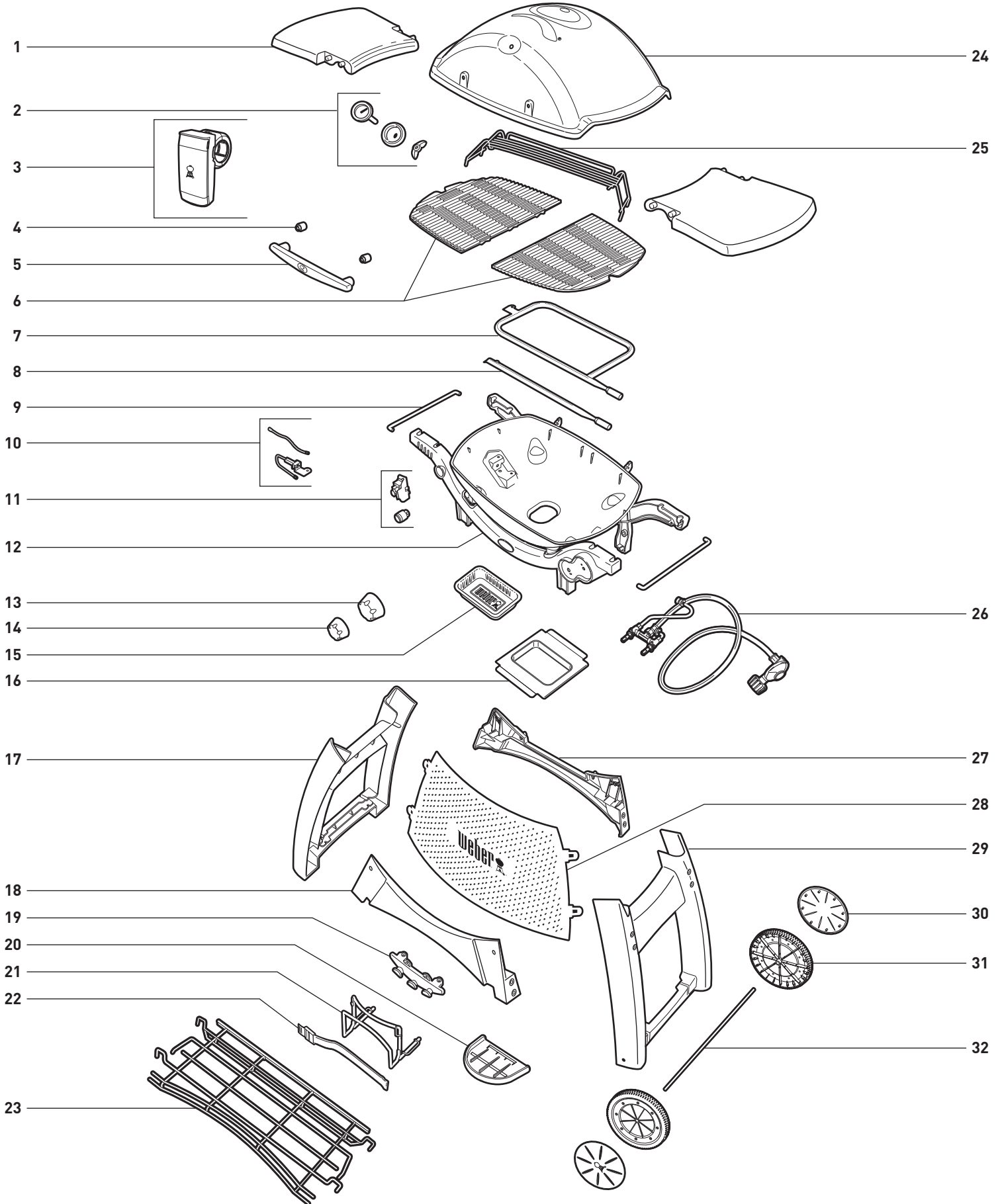
WEBER MAY FROM TIME TO TIME CHANGE THE DESIGN OF ITS PRODUCTS. NOTHING CONTAINED IN THIS WARRANTY SHALL BE CONSTRUED AS OBLIGATING WEBER TO INCORPORATE SUCH DESIGN CHANGES INTO PREVIOUSLY MANUFACTURED PRODUCTS, NOR SHALL SUCH CHANGES BE CONSTRUED AS AN ADMISSION THAT PREVIOUS DESIGNS WERE DEFECTIVE.

**Weber-Stephen PRODUCTS LLC
Customer Service Center
1415 S. Roselle Road
Palatine, IL 60067
U.S.A.**

**For replacement parts, call:
1-800-446-1071**

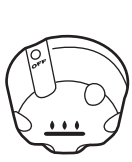
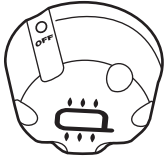





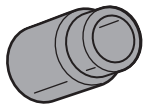
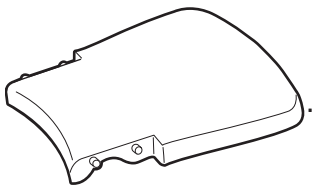
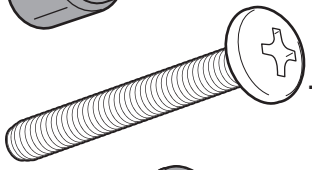
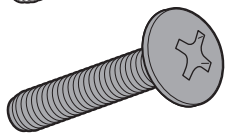



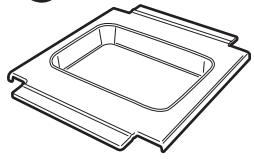
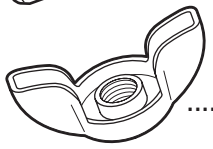

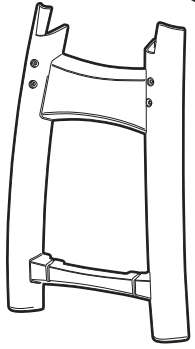
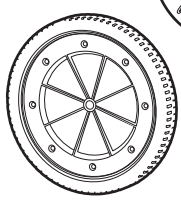
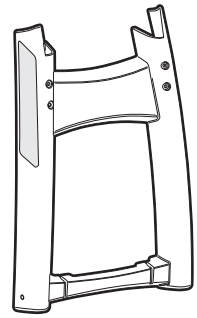

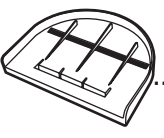
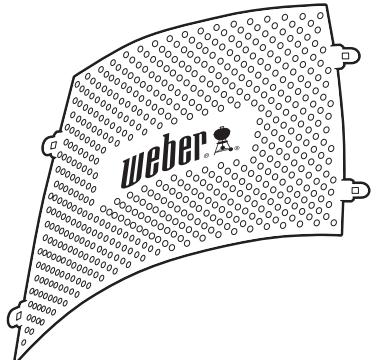
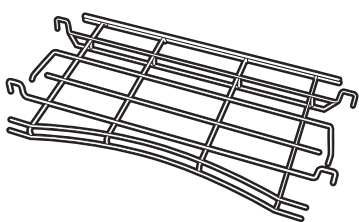
TABLE OF CONTENTS

WARNINGS	2
WARRANTY	3
TABLE OF CONTENTS	3
WEBER Q 3200 EXPLODED VIEW	4
PARTS LIST	6
ASSEMBLY	7
STORAGE FEATURES	19
IMPORTANT INFORMATION	
ABOUT LP GAS	20
WHAT IS LP GAS?	20
SAFE HANDLING TIPS FOR LP GAS TANKS	20
STORAGE AND/OR NONUSE	20
US INSTALLATION CODES	20
MEXICO INSTALLATION CODES	20
CANADIAN INSTALLATION CODES	20
US LP TANK REQUIREMENTS	20
CANADIAN LP TANK REQUIREMENTS	20
IMPORTANT INFORMATION ABOUT LP GAS CONNECTIONS	21
WHAT IS A REGULATOR?	21
REGULATOR CONNECTIONS	21
LP TANK INSTALLATION AND REMOVAL	22
INSTALLING THE LP TANK	22
REMOVING THE LP TANK FOR REFILLING OR REPLACEMENT	22
FILLING THE LP GAS TANK	22
FUELING YOUR GRILL	22
PREPARING TO USE YOUR GRILL	23
WHAT IS A LEAK CHECK?	23
CHECKING FOR GAS LEAKS	23
SAFETY CHECKS BEFORE USING YOUR GRILL	24
SAFETY FIRST	24
REMOVABLE CATCH PAN AND DISPOSABLE DRIP PAN	24
HOSE INSPECTION	24
BURNER IGNITION & USAGE	25
METHODS OF BURNER IGNITION	25
BURNER IGNITION – Electronic Ignition System	25
TO EXTINGUISH BURNER	25
BURNER IGNITION – Lighting with a Match	26
TO EXTINGUISH BURNER	26
GRILLING TIPS & HELPFUL HINTS	27
TIPS & HINTS	27
PREHEATING	27
COVERED COOKING	27
GREASE COLLECTION SYSTEM	27
COOKING METHODS	28
DIRECT METHOD OR INDIRECT METHOD?	28
TROUBLESHOOTING	29
GENERAL TROUBLESHOOTING	29
ANNUAL MAINTENANCE	30
KEEPING YOUR WEBER GRILL IN TIP-TOP SHAPE	30
BURNER FLAME PATTERN	30
WEBER SPIDER/INSECT SCREEN(S)	30
BURNER TUBE PORTS	30
BURNER TUBE CLEANING OR REPLACEMENT	31
ROUTINE MAINTENANCE	33
BEAUTIFUL—INSIDE AND OUT	33
CLEANING THE OUTSIDE OF THE GRILL	33
CLEANING THE INSIDE OF THE GRILL	33
HOSE INSPECTION	33
IGNITION SYSTEM OPERATIONS	34
MAINTAINING THE ELECTRONIC IGNITION SYSTEM	34



1. Fold-Down Table	1. Mesa plegable	1. Plan de travail repliable
2. Thermometer Assembly	2. Conjunto del termómetro	2. Thermomètre
3. GRILL'N GO LIGHT	3. GRILL'N GO LIGHT	3. GRILL'N GO LIGHT
4. Handle Spacer	4. Espaciador del asa	4. Ecarteur de poignée
5. Handle	5. Asa	5. Poignée
6. Cooking Grate	6. Rejilla para cocinar	6. Grille de cuisson
7. Outside Burner Tube	7. Tubo del quemador externo	7. Tube de réchaud externe
8. Inside Burner Tube	8. Tubo del quemador interno	8. Tube de réchaud interne
9. Wire Brace	9. Refuerzo de alambre	9. Renfort métallique
10. Igniter Electrode Assembly	10. Conjunto del electrodo de encendido	10. Ensemble d'électrode d'allumage
11. Electronic Igniter Button/ Electronic Igniter Module	11. Botón de encendido electrónico/ Módulo de encendido electrónico	11. Bouton/Module d'allumage électronique
12. Cookbox/Cradle Assembly	12. Conjunto de la caja/Cuna para cocinar	12. Ensemble cuve de cuisson/Châssis
13. Large Burner Control Knob	13. Perilla de control del quemador grande	13. Gros bouton de réglage de brûleur
14. Small Burner Control Knob	14. Perilla de control del quemador chico	14. Petit bouton de réglage de brûleur
15. Disposable Drip Pan	15. Bandeja de goteo desechable	15. Cuvette ramasse-gouttes jetable
16. Removable Catch Pan	16. Bandeja de recuperación desmontable	16. Bac de récupération amovible
17. Left Cart Leg	17. Pata izquierda del carro	17. Pied gauche de chariot
18. Front Cross Brace	18. Soporte transversal frontal	18. Renfort avant
19. Tool Holder	19. Sujetador de herramientas	19. Porte-ustensiles
20. Tank Rest	20. Descanso del tanque	20. Support de réservoir
21. Tank Bracket	21. Soporte del tanque	21. Crochet pour support de réservoir de gaz
22. Tank Strap	22. Correa del tanque	22. Sangle de réservoir
23. Bottom Rack	23. Estante inferior	23. Étagère inférieure
24. Lid	24. Tapa	24. Couvercle
25. Warming Rack	25. Estante de calentamiento	25. Grille de réchauffage
26. Manifold, Valve and Regulator Assembly	26. Conjunto del colector, válvula y regulador	26. Ensemble collecteur, robinet, détenteur
27. Rear Cross Brace	27. Soporte transversal trasero	27. Renfort arrière
28. Tank Screen	28. Pantalla del tanque	28. Grille de réservoir
29. Right Cart Leg	29. Pata derecha del carro	29. Pied droit de chariot
30. Wheel Cover	30. Cubierta de la rueda	30. Cache-roue
31. Wheel	31. Rueda	31. Roue
32. Axle	32. Eje	32. Essieu

PARTS LIST · LISTA DE PARTES · LISTE DES PIÈCES

 1		 1
 1		 1
			 1
 1		 1
 2		 1
 1		 2
 2		 2
 1		 12
 1		 4
 1		 2
 1		 1
 1		 2
 1		 2
 1		 1
 1			
 1			
 1			
 1			

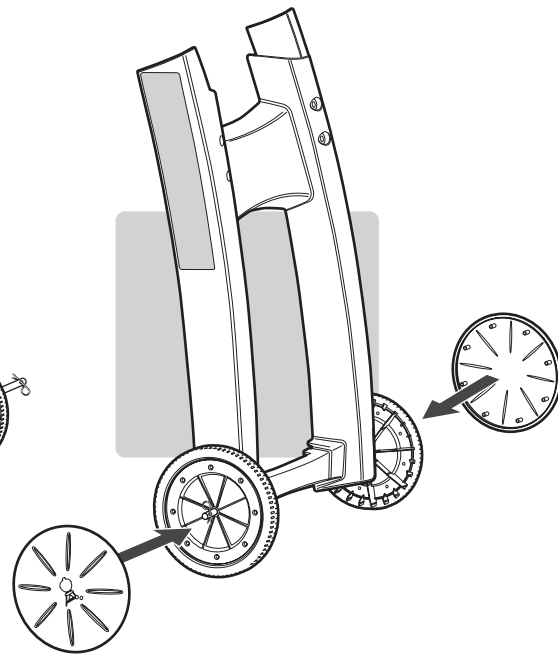
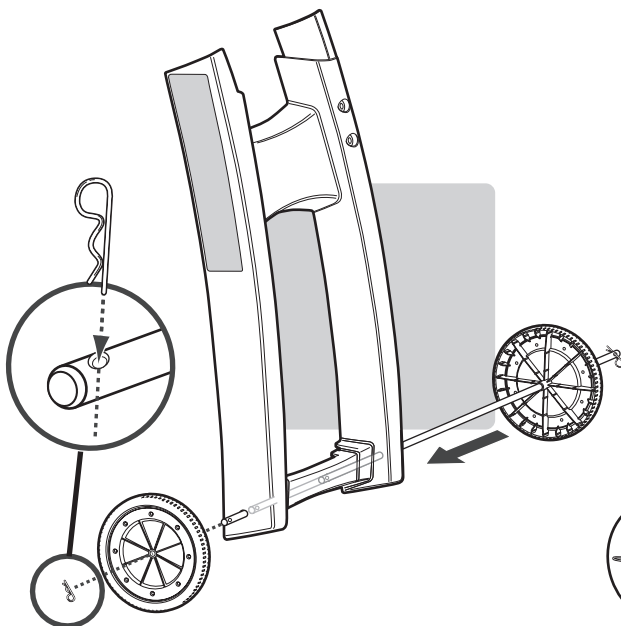
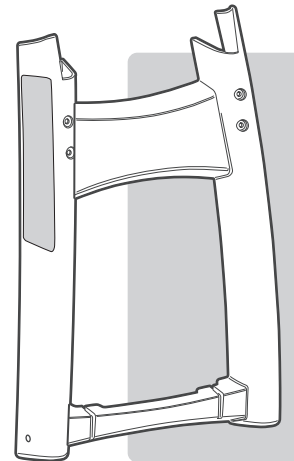
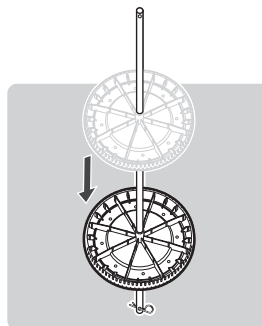
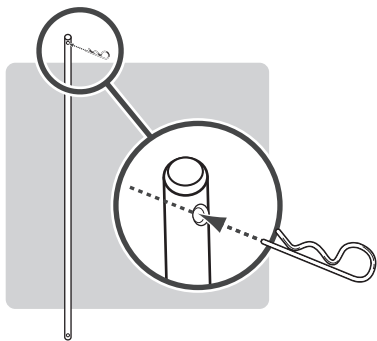


- US** Download the free BILT app for 3D step-by-step instructions.
- ES** Descargue gratis la app BILT para recibir instrucciones paso a paso en 3D.
- FR** Téléchargez l'appli gratuite BILT qui vous expliquera le montage étape par étape en 3D.

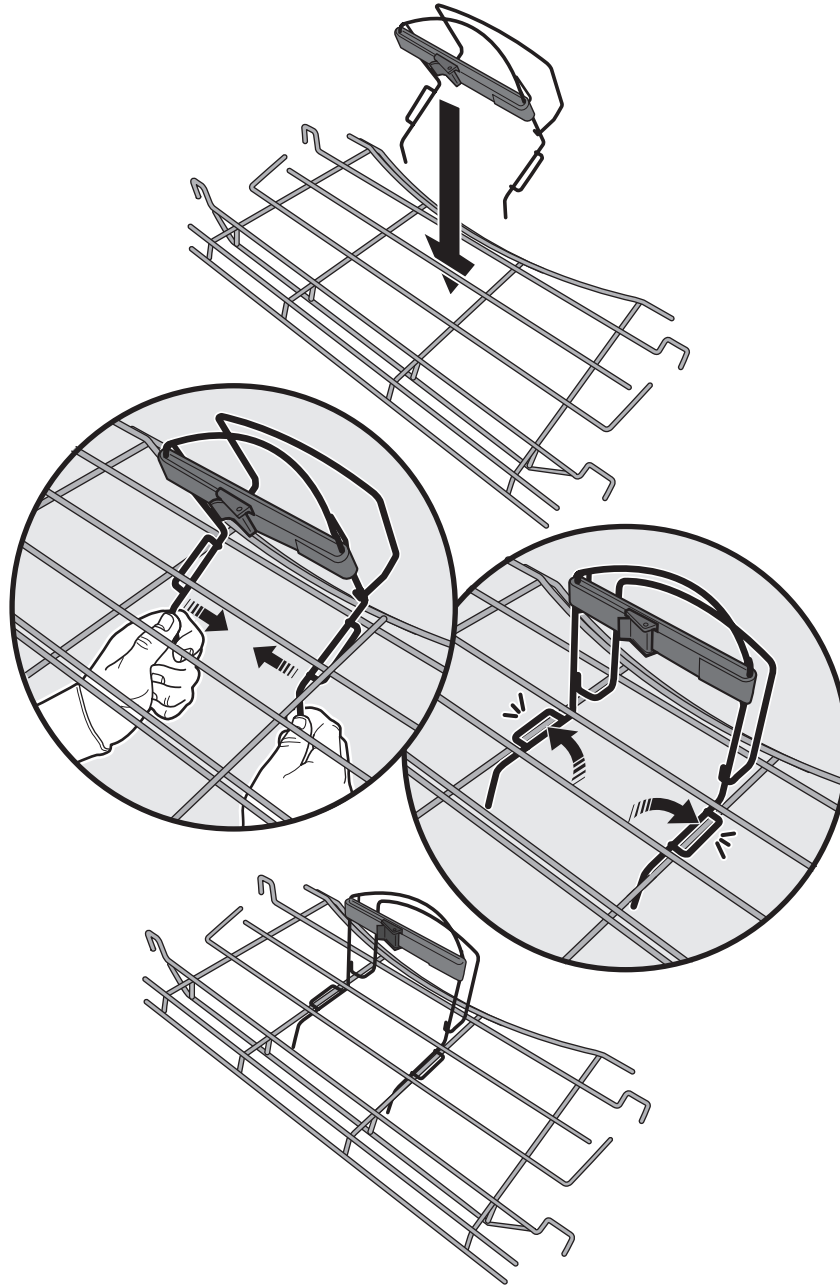
TOOLS NEEDED:
HERRAMIENTAS REQUERIDAS:
OUTILS NECESSAIRES:



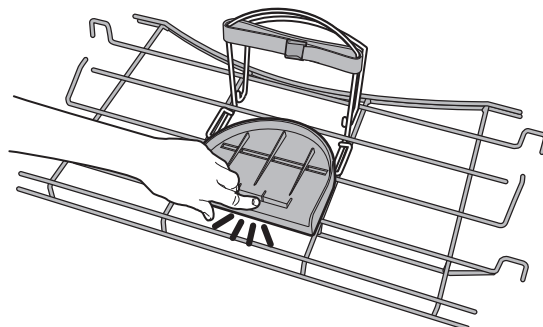
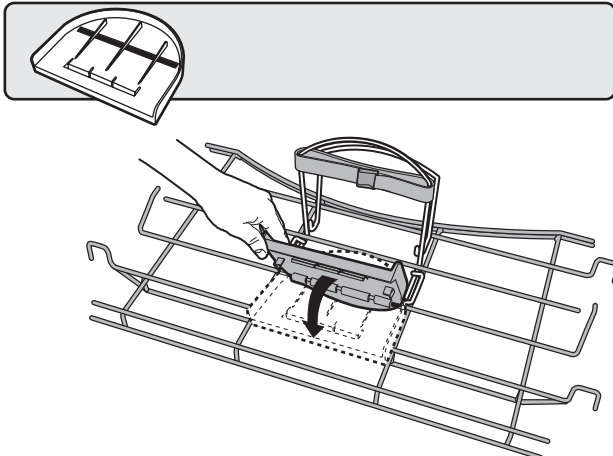
1 2-



2



3

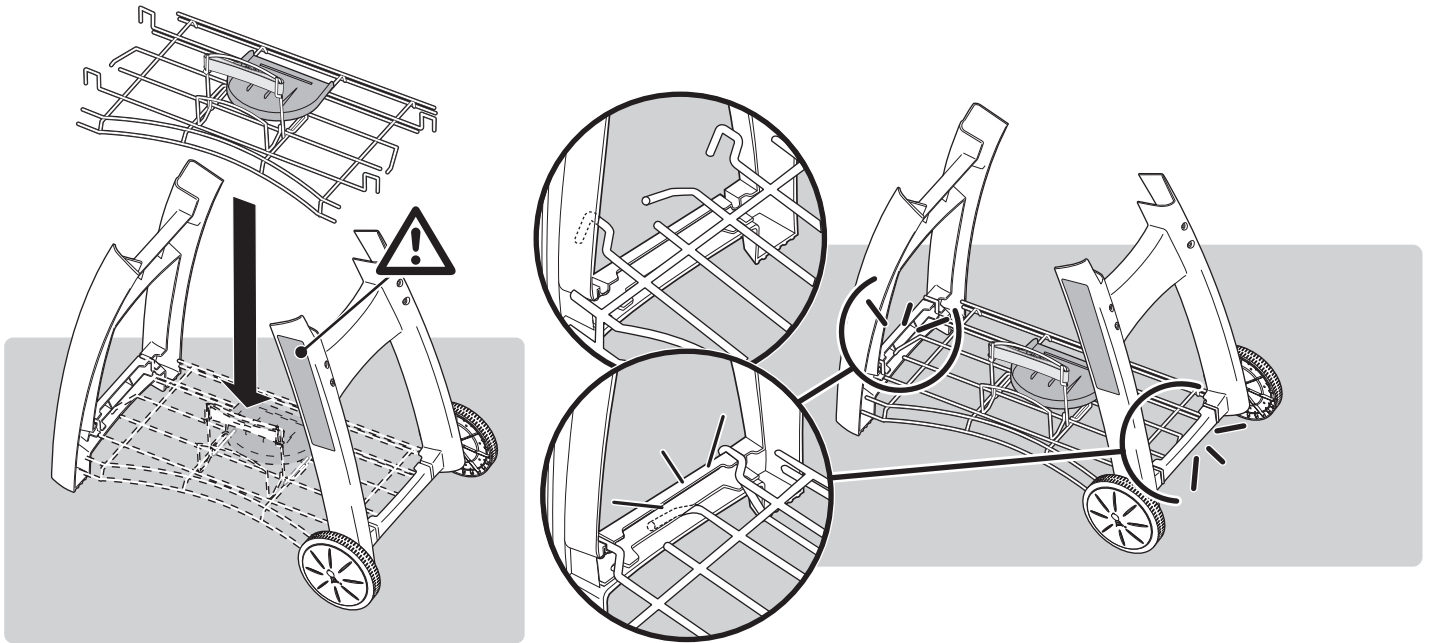


4

⚠ Place wheel frame on the right. Ignition instruction sticker faces forward.

⚠ El bastidor de la rueda va a la derecha. La etiqueta de instrucciones de encendido ve hacia adelante.

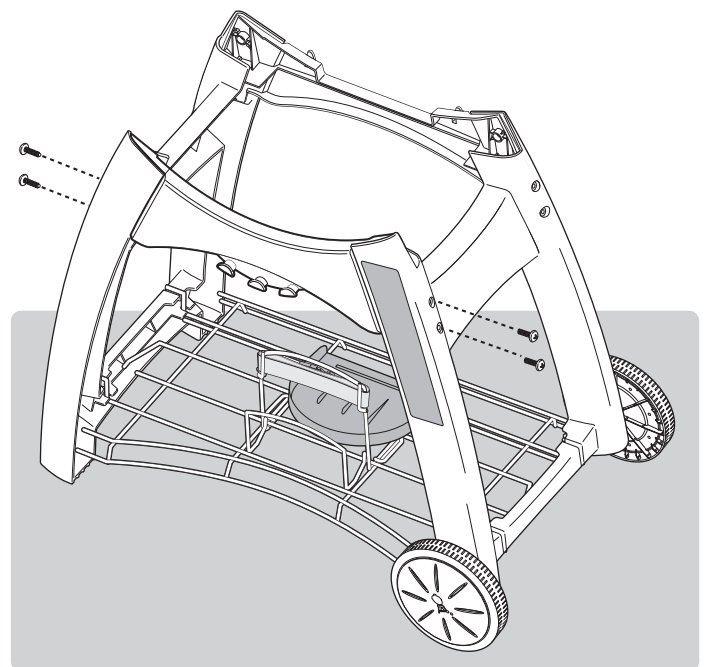
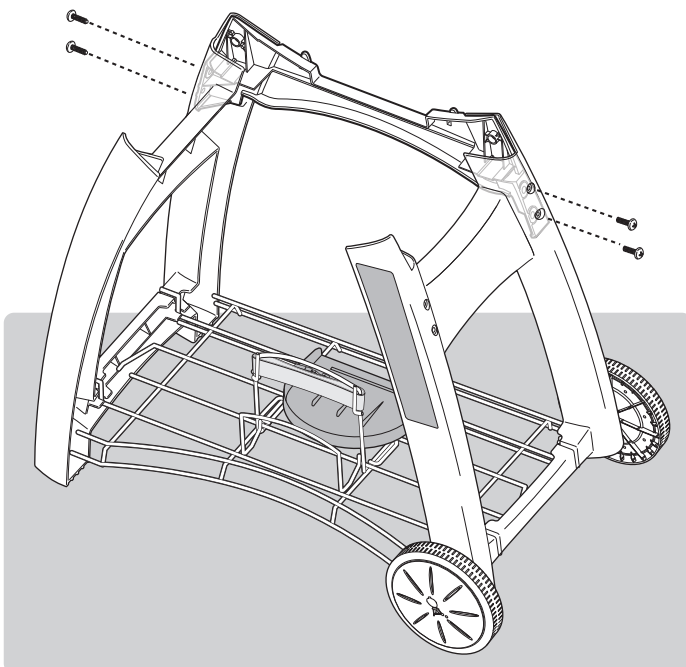
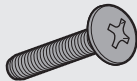
⚠ Le cadre des roues se place à droite. L'autocollant pour les instructions d'allumage est orienté vers l'avant.



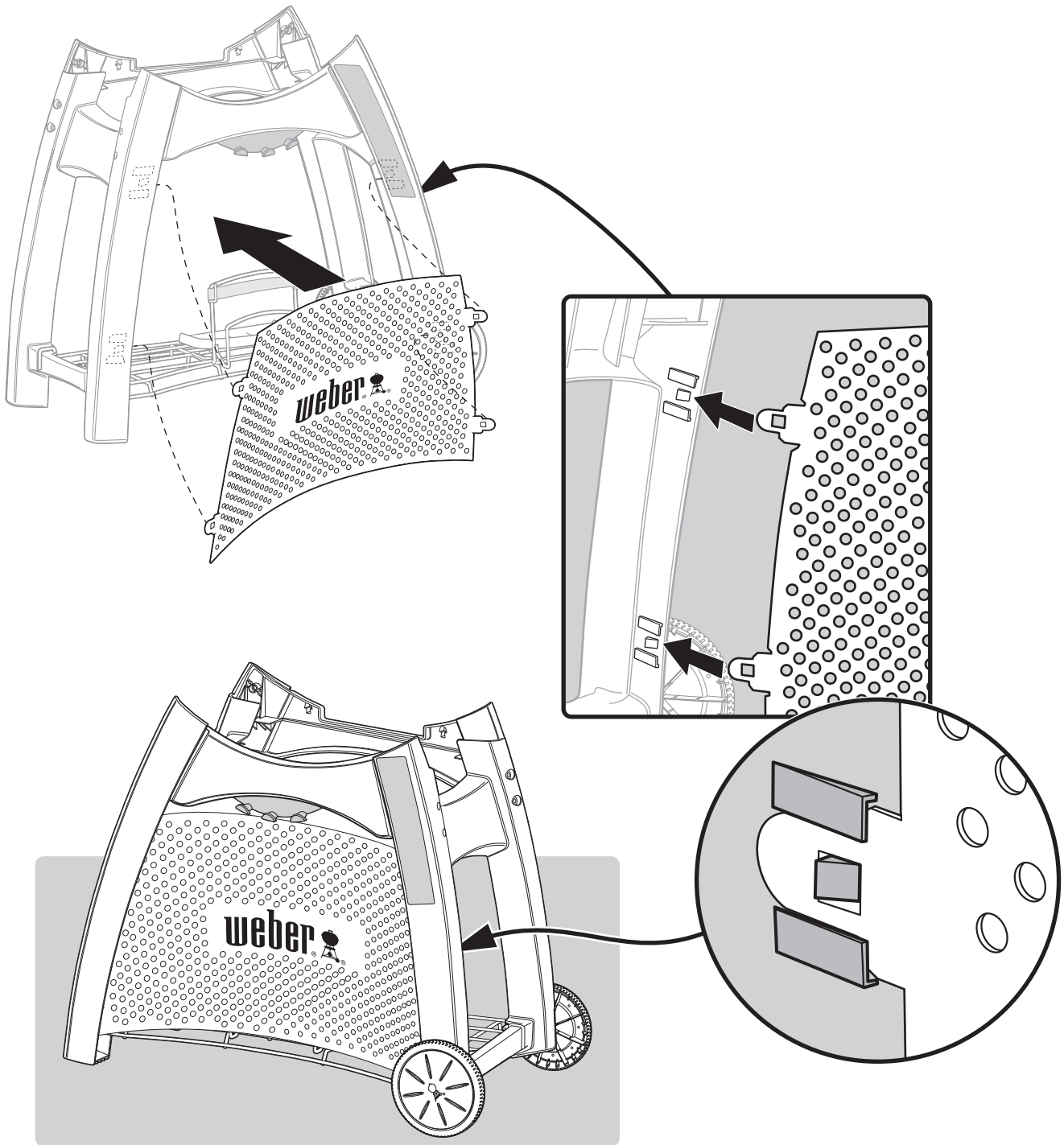
5



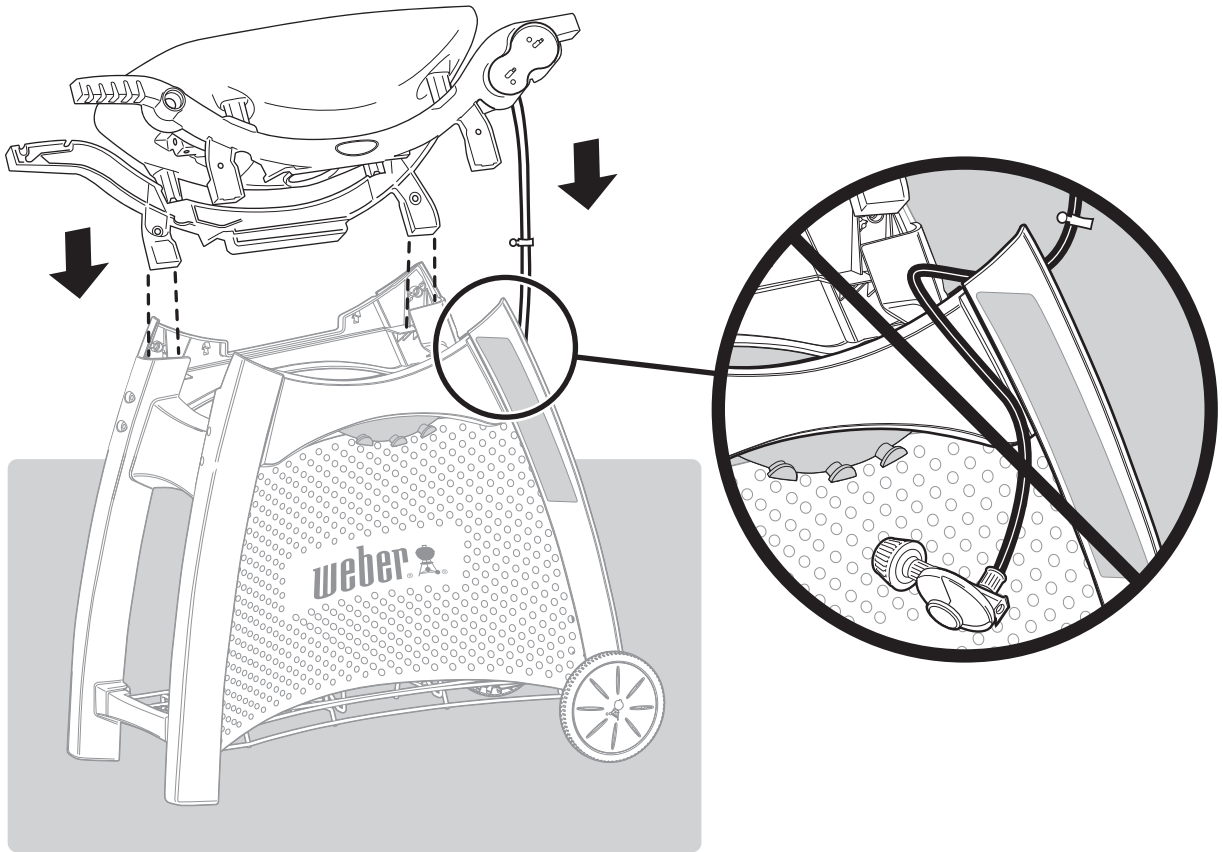
8-



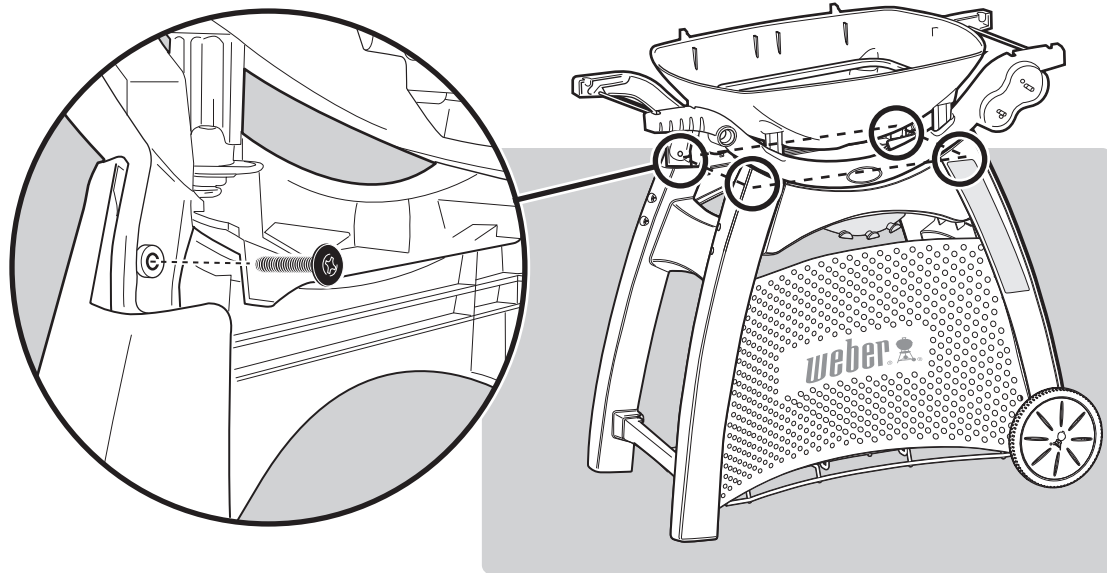
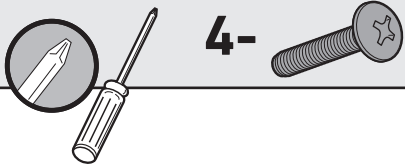
6



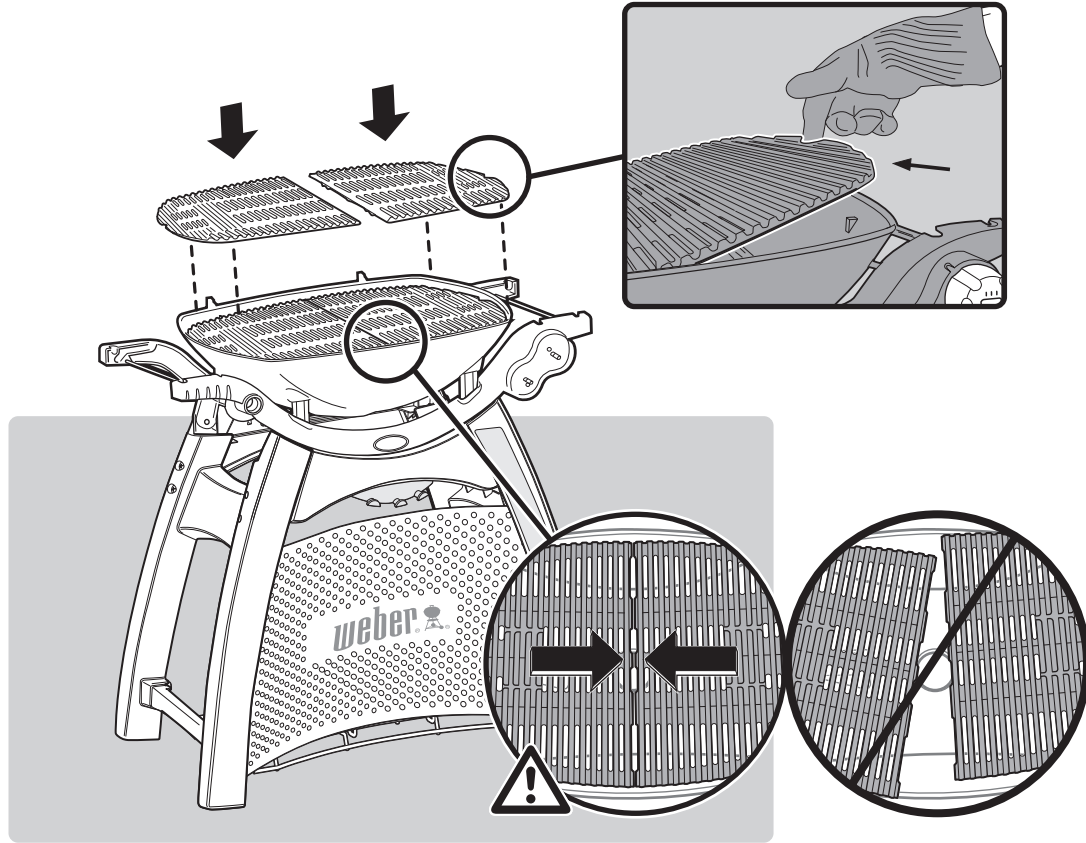
7



8



9

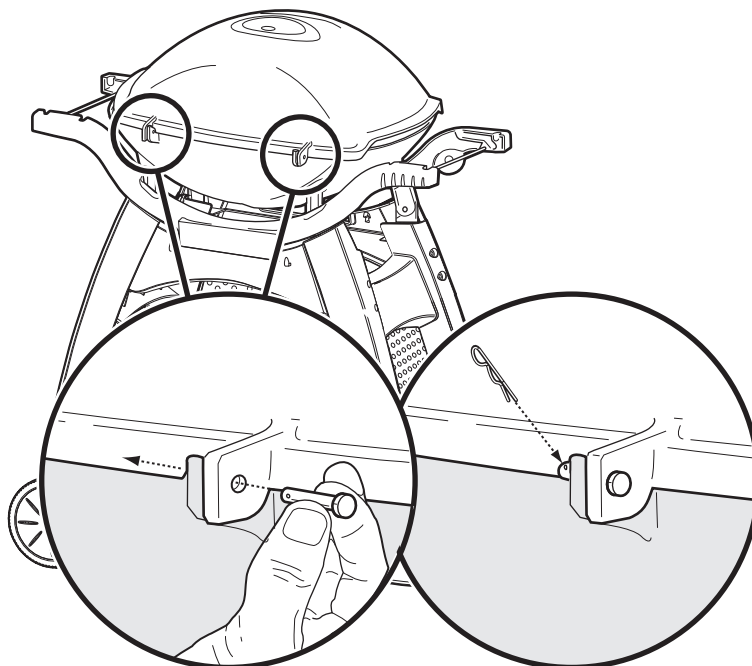


10

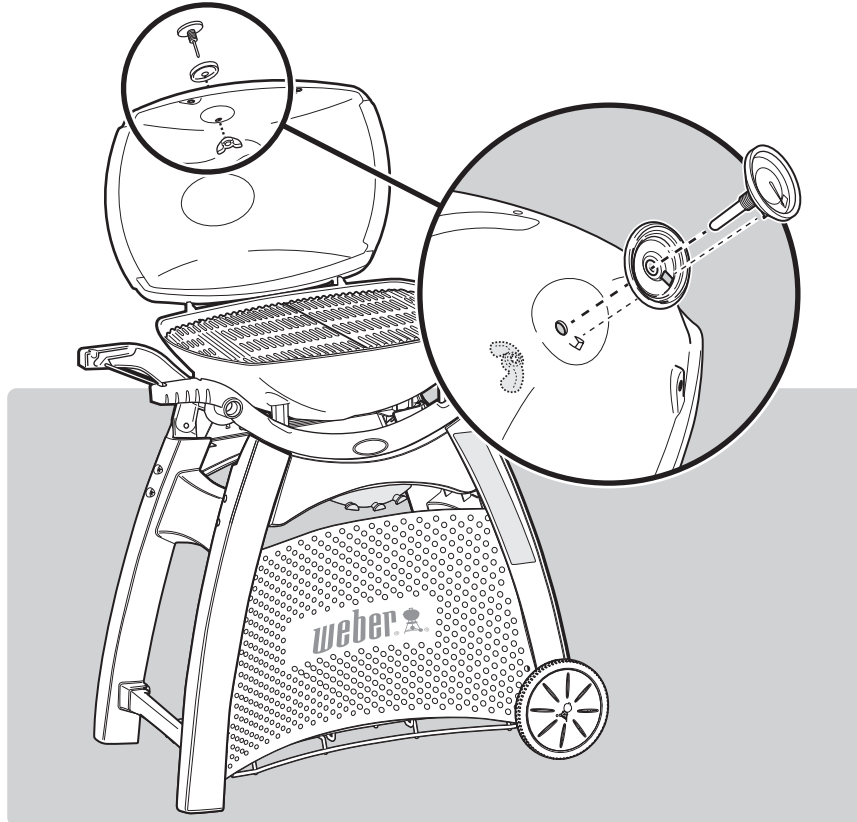
2-



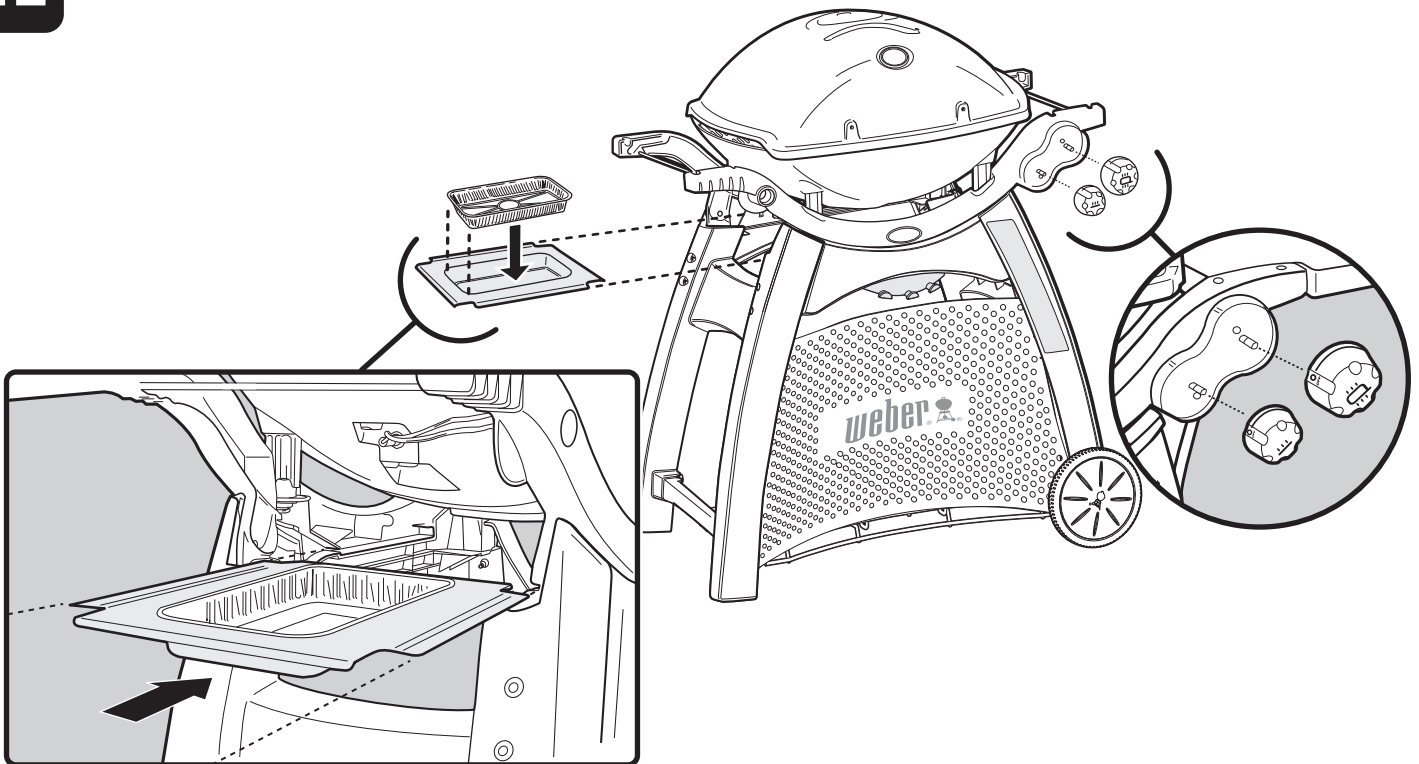
2-



11



12

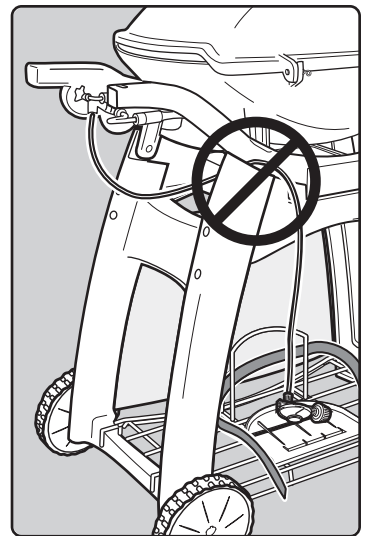
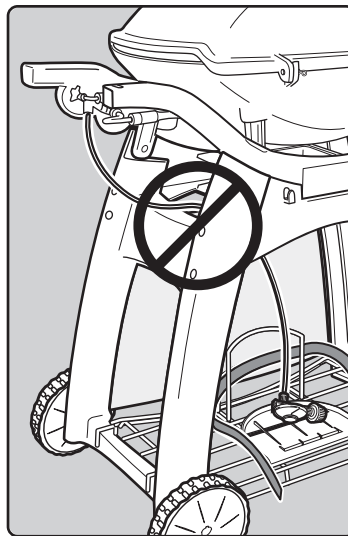
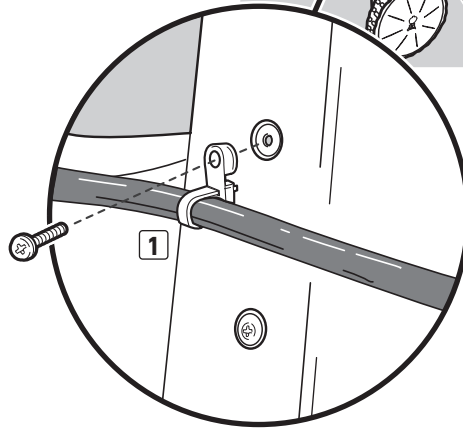
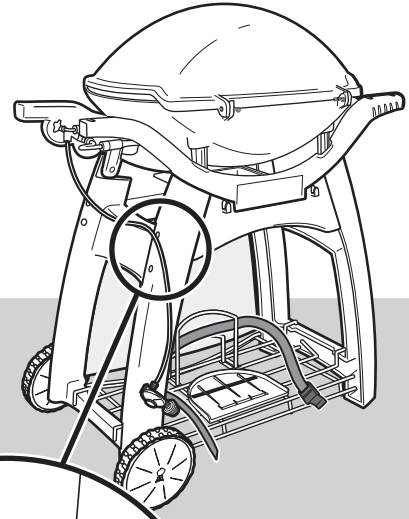


13

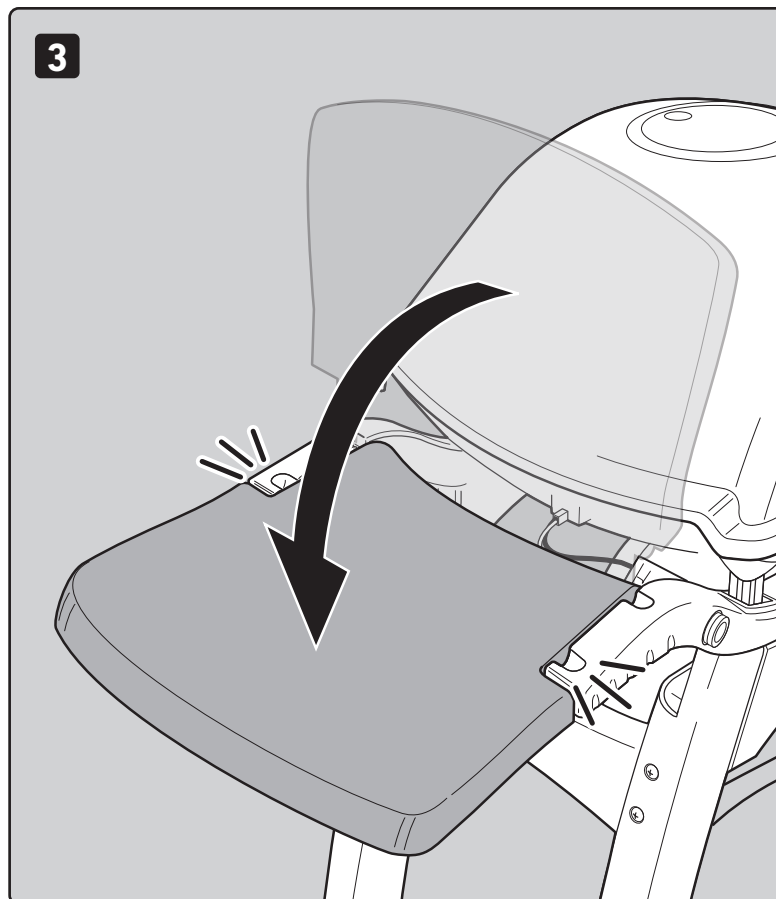
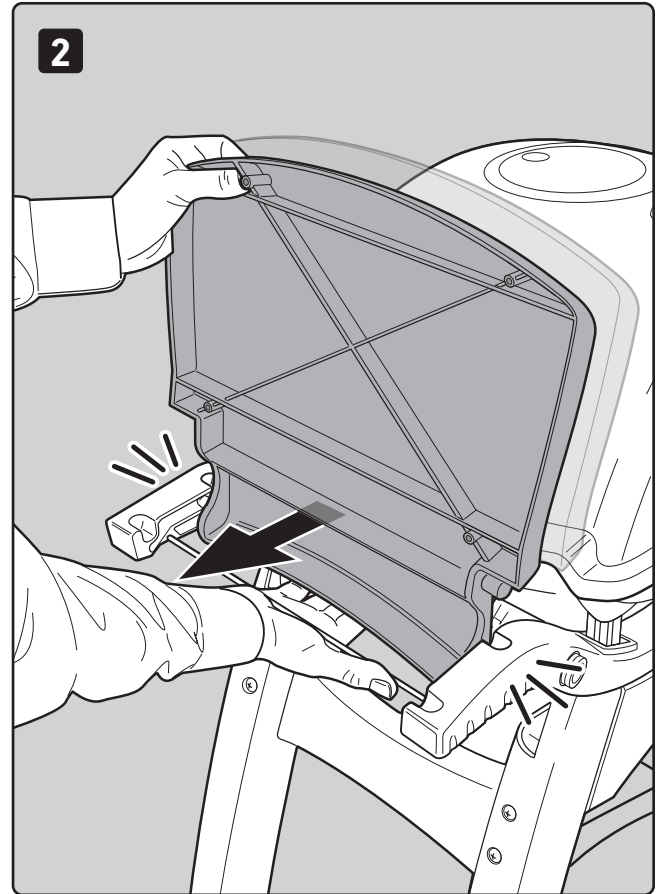
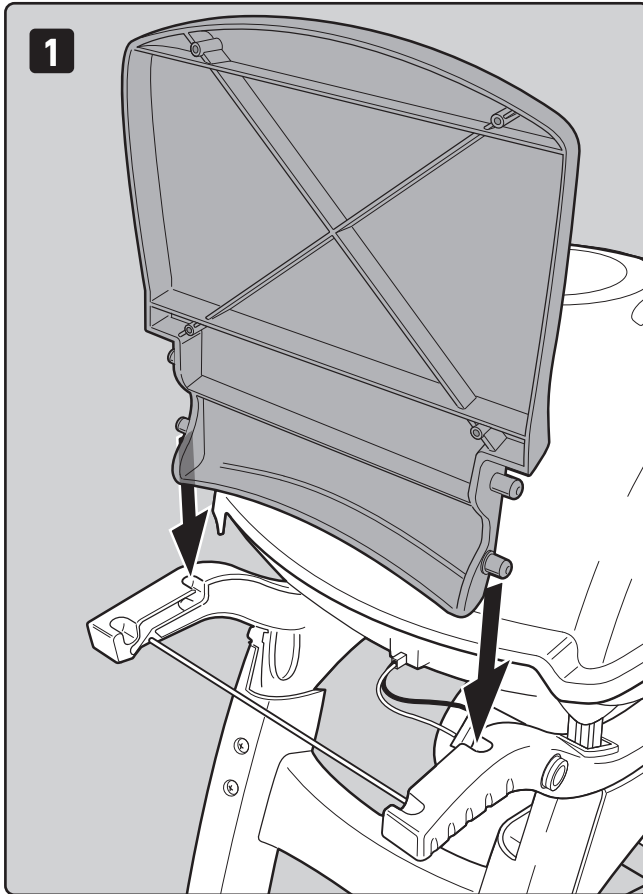
- A) Uncoil the hose and regulator of the WEBER Q 3200.
 B) Remove leg screw then secure hose and retention clip (1) to cart leg.
⚠ WARNING: The hose must be secured to the cart leg by the hose retention clip. Failure to do so could cause damage to hose resulting in a fire or explosion, which can cause serious bodily injury or death and damage to property.

- A) Desenrolle la manguera y el regulador de la barbacoa WEBER Q 3200.
 B) Retire el tornillo de la pata y luego asegure la manguera y el clip de retención (1) a la pata del carro.
⚠ ADVERTENCIA: La manguera debe sujetarse a la pata del carro usando el clip de retención. El no hacerlo podría causar daños a la manguera ocasionando un fuego o explosión, que pueden causar lesiones corporales o la muerte y daños materiales.

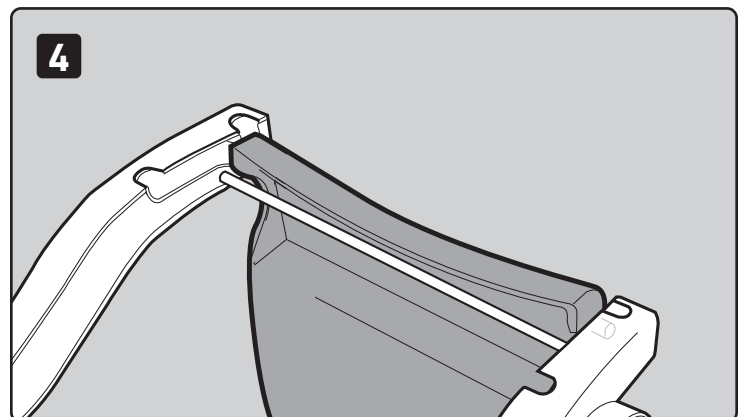
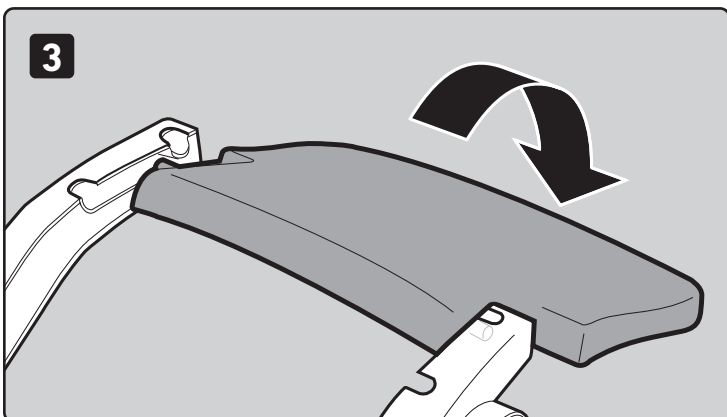
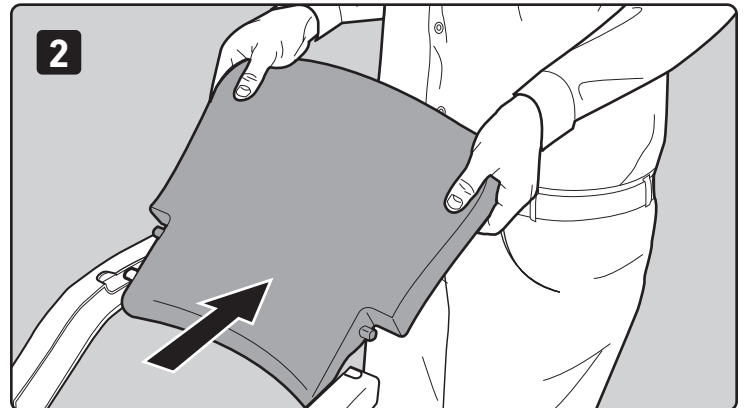
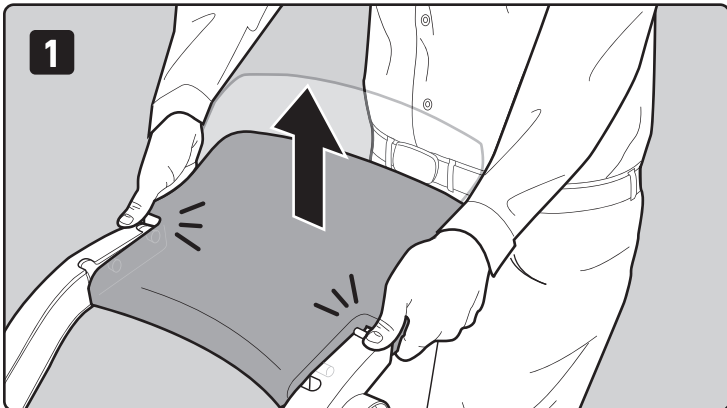
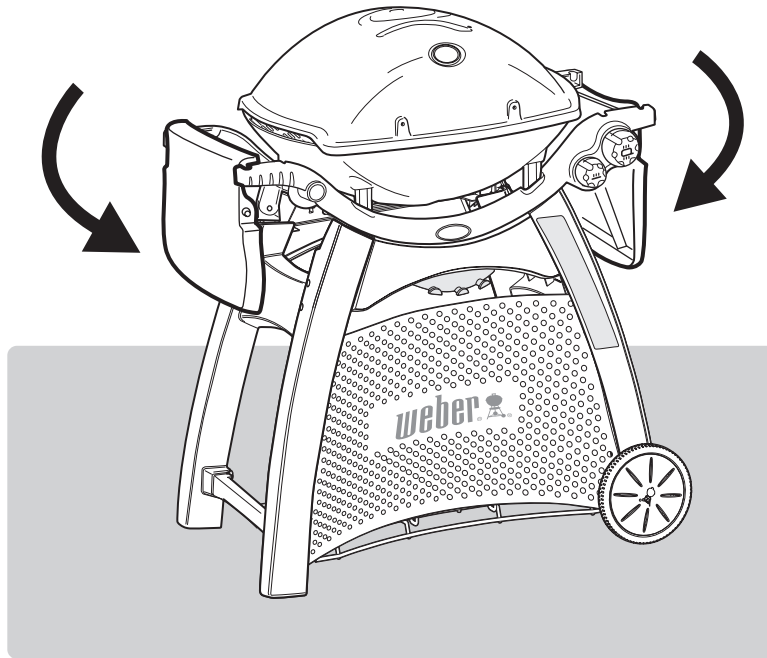
- A) Déroulez le tuyau et le régulateur du WEBER Q 3200.
 B) Retirez la vis du pied puis fixez bien le tuyau ainsi que la pince de rétention (1) au pied du chariot.
⚠ MISE EN GARDE : Le tuyau doit être fixé solidement au pied du chariot par la pince de rétention du tuyau. Le non respect de cette consigne pourrait entraîner la détérioration du tuyau avec pour conséquence un incendie ou une explosion, susceptible de provoquer des blessures graves voire un décès ainsi que des dégâts matériels.



14



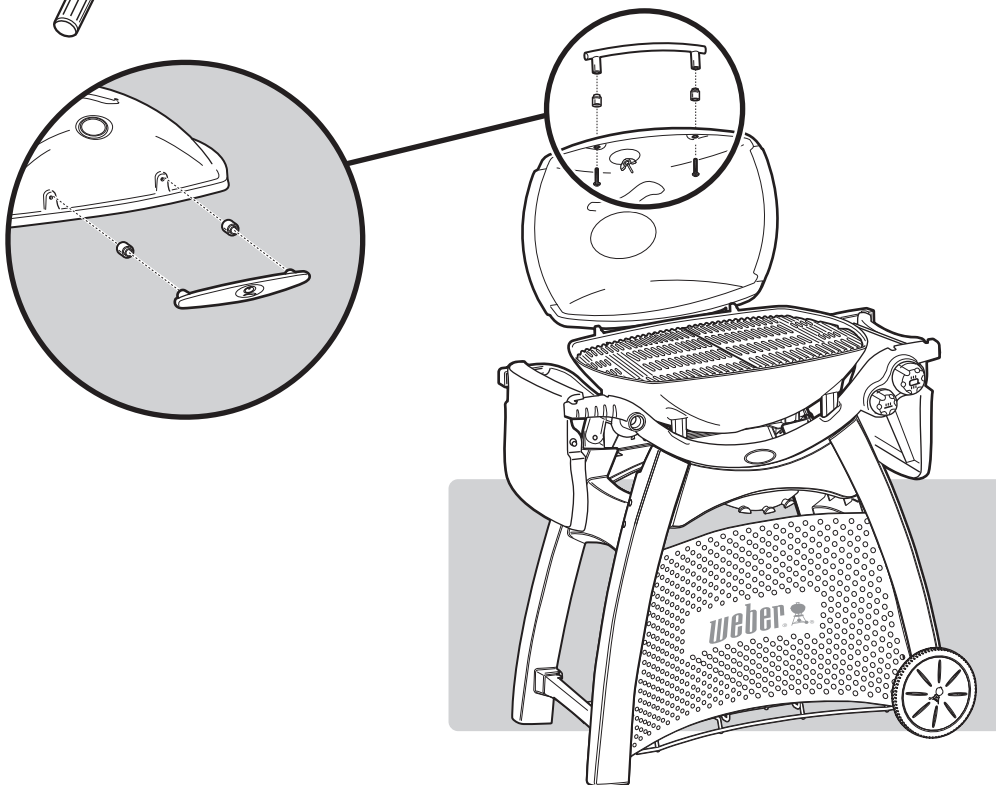
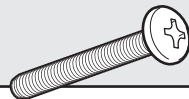
15



16



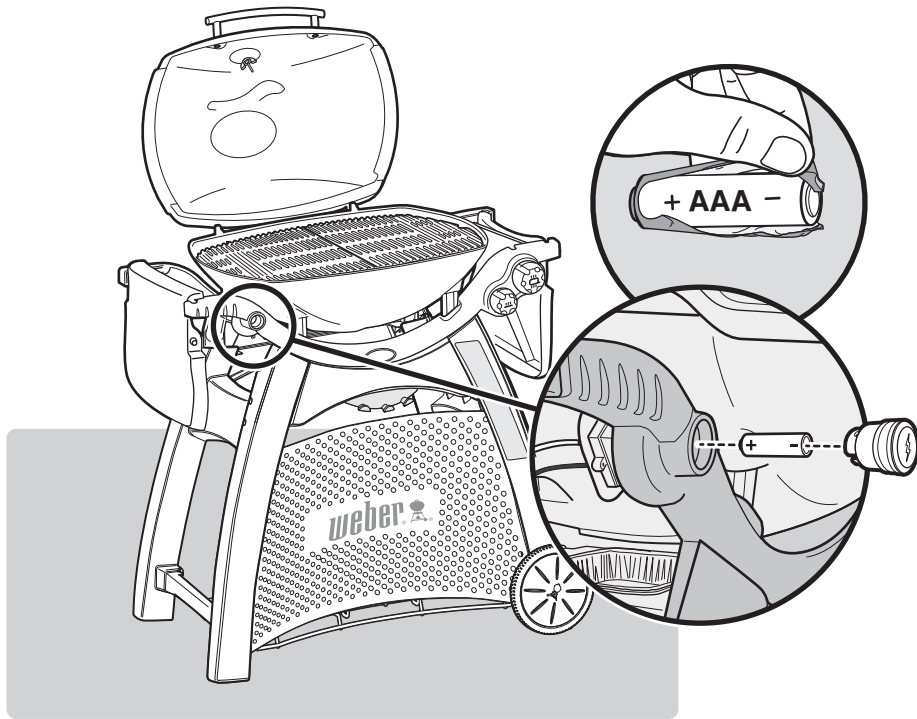
2-



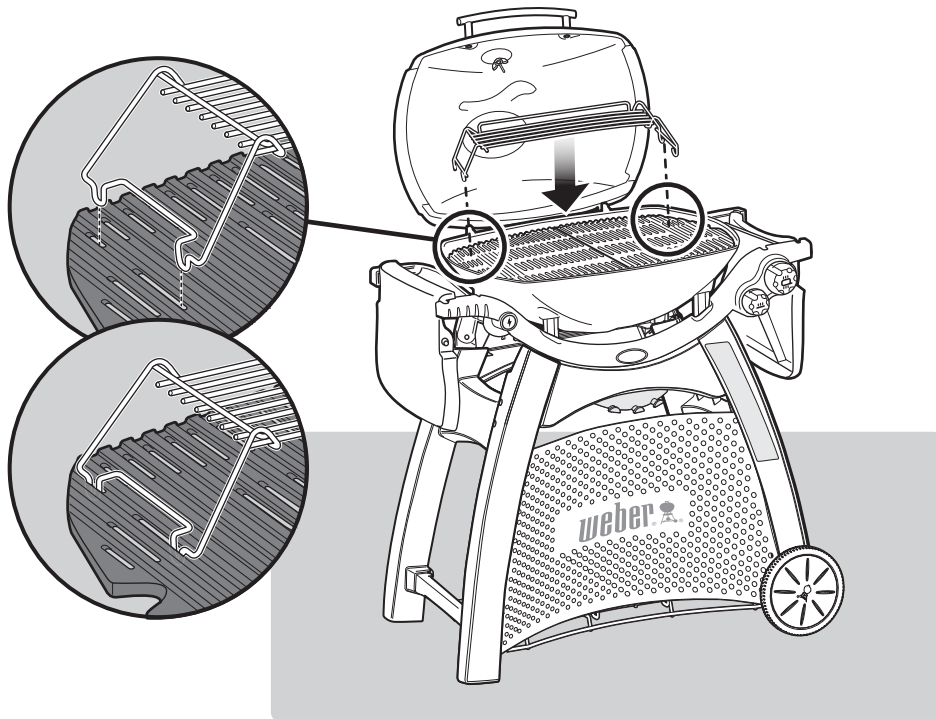
17

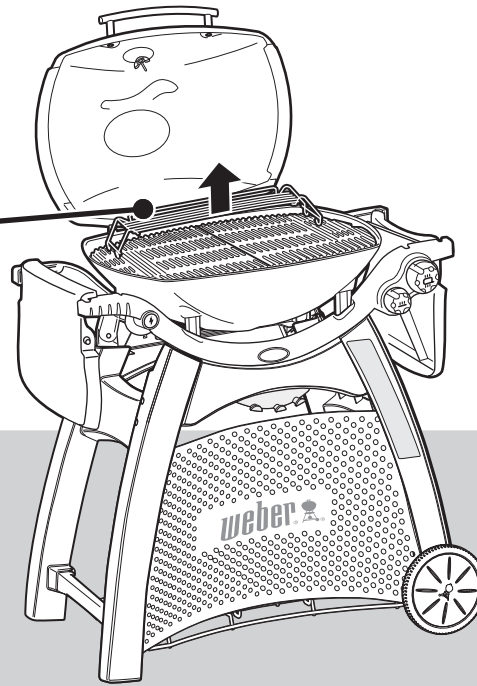
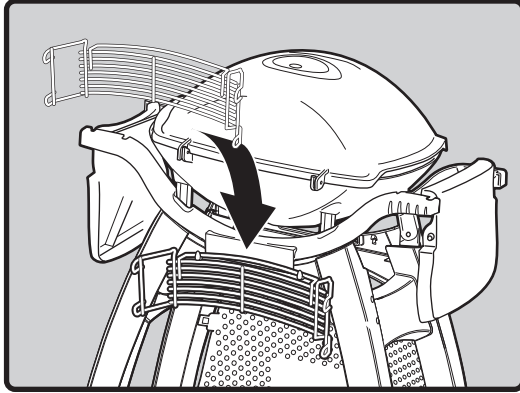


1- + AAA -

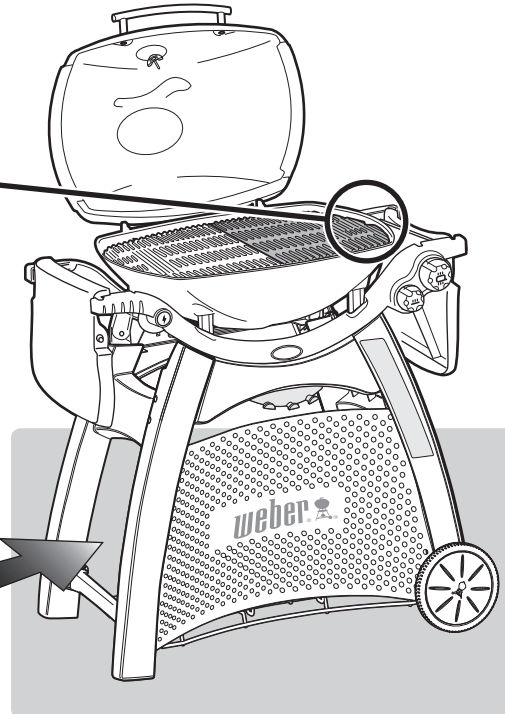
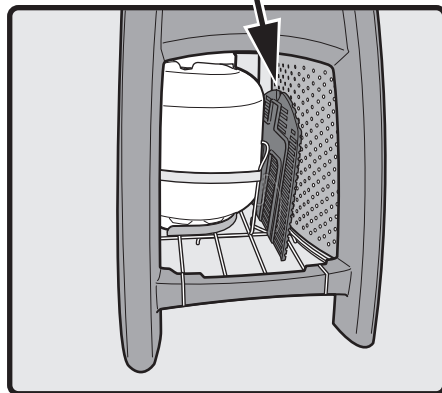
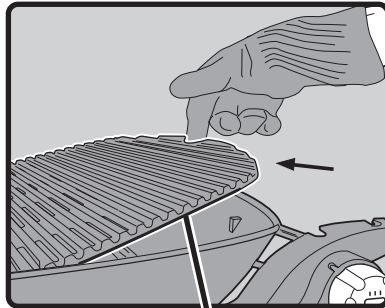


18





- ⚠ Use gloves or tool to raise or lower warming rack while grill is hot or in use.
- ⚠ Use guantes o una herramienta para subir o bajar el soporte calentador con el asador caliente o en uso.
- ⚠ Utilisez des gants ou un outil pour relever ou abaisser la grille-réchaud lorsque le barbecue est chaud ou qu'il est en fonction.



DON'T FORGET TO REGISTER

NO OLVIDES REGISTRARTE

N'OUBLIEZ PAS D'ENREGISTRER VOTRE PRODUIT

IMPORTANT INFORMATION ABOUT LP GAS

WHAT IS LP GAS?

Liquefied petroleum gas, also called LP, LP gas, liquid propane, or simply propane or butane, is the flammable, petroleum-based product used to fuel your grill. It is a gas at moderate temperatures and pressure when it is not contained. But at moderate pressure inside a container, such as a tank, LP is a liquid. As pressure is released from the tank, the liquid readily vaporizes and becomes LP gas.

- LP has an odor similar to natural gas. You should be aware of this odor.
- LP is heavier than air. Leaking LP gas may collect in low areas and resist dispersion.

SAFE HANDLING TIPS FOR LP GAS TANKS

There are various guidelines and safety factors that you need to keep in mind when using LP gas. Carefully follow these instructions before using your WEBER gas grill.

- Always close the tank valve before disconnecting regulator.
- Do not use a damaged LP tank. A dented or rusty LP tank or an LP tank with a damaged valve may be hazardous and should be replaced with a new tank immediately.
- Handle "empty" LP tanks with the same care as you handle full tanks. Even when an LP tank is empty of liquid, there may still be gas pressure inside the tank.
- The LP tank must be installed, transported, and stored in an upright position. LP tanks should not be dropped or handled roughly.
- Never store or transport the LP tank where temperatures can reach 125° F (51.7° C) (the tank will become too hot to hold by hand). For example: do not leave the LP tank in a car on a hot day.
- Leak test the fitting where the regulator connects to the LP tank each time a reconnection occurs. For example: test each time the LP tank is refilled and reinstalled.
- LP tanks must be kept out of reach of children.

STORAGE AND/OR NONUSE

The gas must be turned off at the LP tank when the WEBER gas grill is not in use.

⚠ WARNING: Make sure that the LP tank valve is closed when the grill is not in use. Close by turning valve clockwise.

- If storing the WEBER gas grill indoors, first DISCONNECT the gas supply and store the LP tank outdoors in a well-ventilated space.

⚠ CAUTION: Place dust cap on tank valve outlet whenever the tank is not in use. Only install the type of dust cap on the tank valve outlet that is provided with the tank valve. Other types of caps or plugs may result in leakage of propane.

- Do not store a disconnected LP tank in a building, garage, or any other enclosed area.
- If you do not disconnect the LP tank from the WEBER gas grill, be sure to keep both the grill and the tank outdoors in a well-ventilated area.

For grills that have been stored or left unused for a while, it is important to follow these guidelines:

- The WEBER gas grill should be checked for gas leaks and any obstructions in the burner tubes before it is used. (Refer to "CHECKING FOR GAS LEAKS" and "ANNUAL MAINTENANCE.")
- Check that the areas around the LP tank and under the cookbox and the removable catch pan are free from debris that might obstruct the flow of combustion or ventilation air.
- The spider/insect screens should also be checked for any obstructions. (Refer to "ANNUAL MAINTENANCE.")

US INSTALLATION CODES

Installation must conform with local codes or, in the absence of local codes, with either the National Fuel Gas Code, ANSI Z223.1/NFPA 54, Natural Gas and Propane Installation Code, CSA B149.1; or Propane Storage and Handling Code, B149.2; or the Standard for Recreational Vehicles, ANSI A 119.2/NFPA 1192, and CSA Z240 RV Series, Recreational Vehicle Code, as applicable.

MEXICO INSTALLATION CODES

If there are local codes that apply to portable gas grills, you must comply with the latest edition of NOM.

CANADIAN INSTALLATION CODES

These instructions, while generally acceptable, do not necessarily comply with the Canadian installation codes, particularly with piping above and below ground. In Canada, the installation of this appliance must comply with local codes and/or the latest edition of Standard CAN/CSA-B149.2 (Propane Storage and Handling Code).

US LP TANK REQUIREMENTS

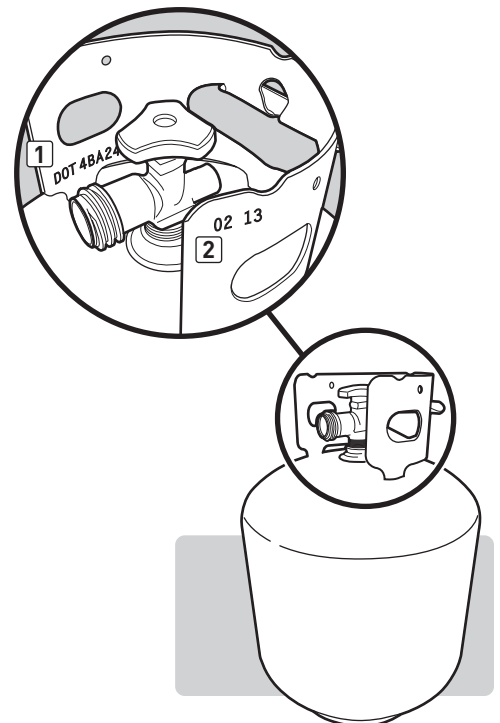
- Check to be sure that tanks have a D.O.T. certification (1), and that the testing date (2) is within five years of current use. Your LP gas supplier can do this for you.
- All LP tank supply systems must include a collar to protect the tank valve.
- The LP tank must be a 20-lb. size, approximately 18¼ inches high and 12¼ inches in diameter.
- The tank must be constructed and marked in accordance with Specifications for LP - Gas Cylinders (Tanks) of the U.S. Department of Transportation (D.O.T.) or the National Standard of Canada, CAN/CSA-B339, Cylinders (Tanks), Spheres and Tubes or Transportation of Dangerous Goods; and Commission, as applicable.

⚠ WARNING: The LP tank used with your grill must have a listed OPD (Overfilling Prevention Device) and a QCC1 or Type 1 (CGA791) tank connection. The tank connection must be compatible with the grill connection.

CANADIAN LP TANK REQUIREMENTS

- The LP tank must be constructed and marked in accordance with the specifications for LP gas tanks, T.C.

NOTE: Your retailer can help you match a replacement tank to your grill.



IMPORTANT INFORMATION ABOUT LP GAS CONNECTIONS

WHAT IS A REGULATOR?

Your WEBER gas grill is equipped with a pressure regulator, which is a device to control and maintain uniform gas pressure as gas is released from the LP tank.

REGULATOR CONNECTIONS

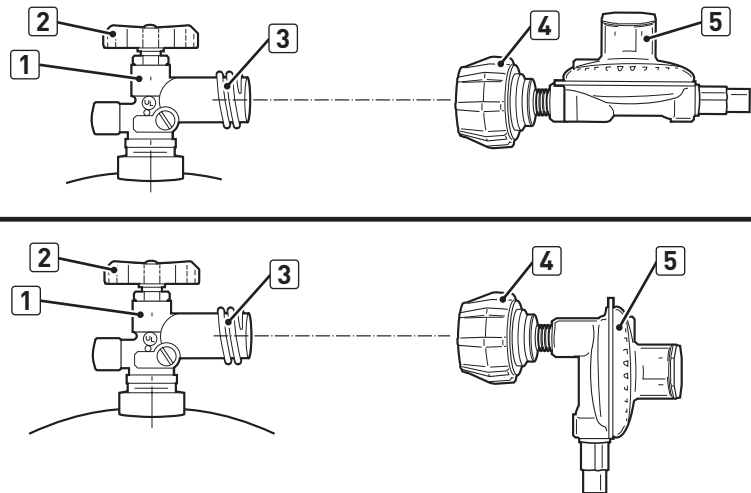
Each WEBER LP regulator is designed for vapor withdrawal and is equipped with a UL-listed Type 1 tank connection as described in the latest edition of ANSI Z21.58. THE LP TANK THAT YOU CONNECT TO THE REGULATOR MUST BE EQUIPPED WITH A COMPATIBLE TYPE 1 CONNECTION IN THE TANK VALVE. This Type 1 connection allows you to make a fast and safe hookup between your WEBER gas grill and the LP tank.

NOTE: Gas will not flow from the tank unless the Type 1 coupling is fully engaged.

- The pressure regulator supplied with the WEBER gas grill must be used. This regulator is set for 11 inches of water column pressure.
- Replacement pressure regulator and hose assemblies must be those specified by Weber-Stephen Products LLC.
- Be sure the regulator is mounted with the small vent hole pointed downward so that it will not collect water. This vent should be free of dirt, grease, bugs, etc.
- The gas connections supplied with your WEBER gas appliance have been designed and tested to meet 100% of CSA and ANSI requirements.

⚠ WARNING: Replacement LP tanks must match the regulator connection supplied with this WEBER gas appliance.

TYPE 1 CONNECTIVE COUPLING



1	Type 1 Valve	4	Thermally Sensitive Nut
2	Hand Wheel	5	Propane Regulator
3	External Thread		

LP TANK INSTALLATION AND REMOVAL

FUELING YOUR GRILL

Before using your grill for the first time, you need to obtain an LP tank. New tanks can be purchased full; empty tanks can be refilled or exchanged. You may choose to purchase a spare LP tank so that you don't run out of fuel in the middle of cooking a meal.

⚠ DANGER

NEVER store a spare LP tank under or near WEBER gas appliances. **NEVER** fill the tank beyond 80% full. Failure to follow these statements exactly may result in a fire causing death or serious injury.

INSTALLING THE LP TANK

The LP tank is installed under the grill, on the tank rest. WEBER recommends LP tanks with a 47.6 lb water capacity.

Prepare Grill for Tank Installation

- A) Check that all burner control knobs are in the off (○) position. Your grill was shipped with burner control knobs in the off (○) position, but you should check to be sure that they are turned off. Check by pushing in and turning knobs clockwise. If they do not turn, they are off. If they do turn, continue turning them clockwise until they stop; then they are off.

Install the LP Tank

- A) Turn the LP tank so the opening of the valve is facing the right side or back of the grill.
B) Place the LP tank on the tank rest (1).
C) Secure the tank to the tank bracket using the tank strap (2).
- ⚠ WARNING: The tank must be secured to the tank bracket when grill is in use.**
⚠ WARNING: Make sure that the LP tank valve is closed. Close by turning valve clockwise.

Connect the Regulator / Hose to the Tank

- A) Remove screw from right leg of cart. Insert hose retention clip. Reinstall screw (3).
⚠ WARNING: The hose must be secured to the cart leg by the hose retention clip. Failure to do so could cause damage to hose resulting in a fire or explosion, which can cause serious bodily injury or death and damage to property.
B) Remove the plastic dust cover from the tank valve.
C) Screw the regulator coupling onto the tank valve, turning clockwise, or to the right. **Hand-tighten only.**

NOTE: This connection tightens clockwise and will not allow gas to flow unless the connection is tight.

- ⚠ WARNING: Do not use a wrench to tighten the connection. Using a wrench could damage the regulator coupling and could cause a leak.**

REMOVING THE LP TANK FOR REFILLING OR REPLACEMENT

A full LP tank will last about 18–20 hours of cooking time at normal use. You do not have to run out of fuel before you can refill the tank. In fact, we recommend that you refill the LP tank before it is completely empty.

Removal of the LP Tank

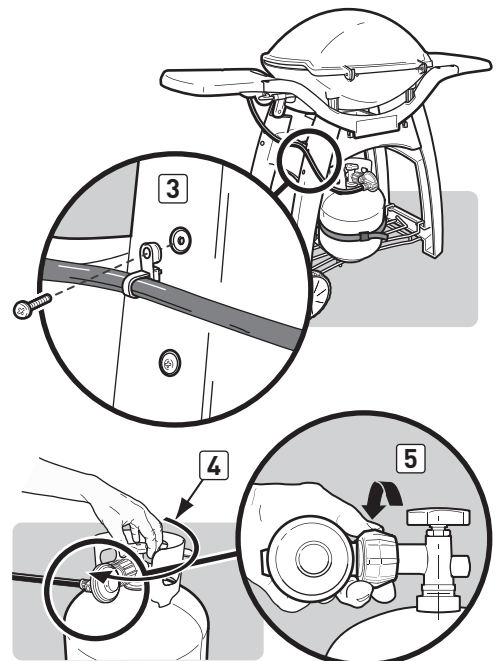
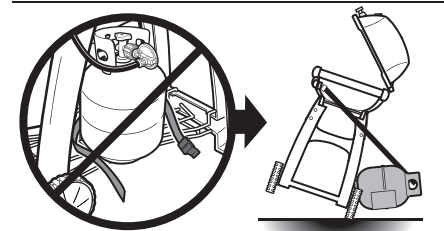
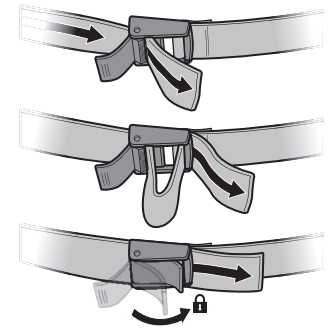
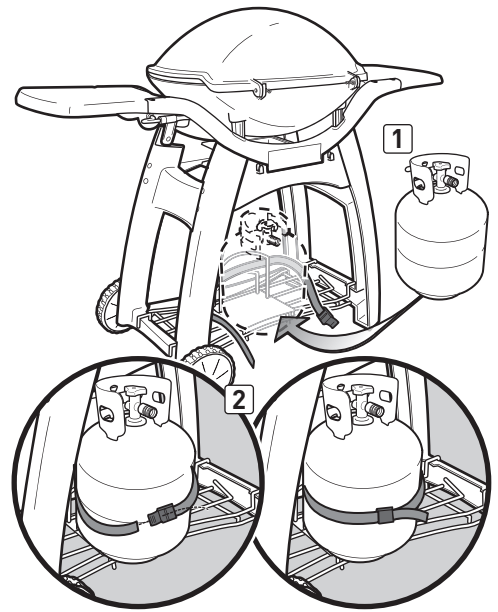
- A) Close tank valve (turn clockwise) (4).
B) Unscrew regulator coupling by turning counterclockwise, by hand only (5).
C) Unbuckle the tank strap. Lift tank off tank rest.

FILLING THE LP GAS TANK

Proper filling of your tank is done by weight or volume, as described in NFPA 58. Please make sure your filling station uses one of these two methods, and ask your filling station to read the purging and filling instructions on the LP tank before attempting to fill it.

- ⚠ WARNING: We recommend that your LP tank be filled at an authorized LP gas dealer, by a qualified attendant, who fills the tank by weight. IMPROPER FILLING IS DANGEROUS.**

NOTE: Be certain tank is purged of trapped air prior to first filling. Your LP dealer is equipped to do this.



WHAT IS A LEAK CHECK?

The fuel system in your grill features connections and fittings. A leak check is a reliable way to make sure that no gas is escaping from any of the connections or fittings.

Although all factory-made connections have been thoroughly checked for gas leaks, it's important to perform a leak check before using your grill for the first time, as well as anytime you disconnect and reconnect a fitting and each time you perform routine maintenance.

⚠ DANGER

Do not use an open flame to check for gas leaks. Be sure there are no sparks or open flames in the area while you check for leaks. Sparks or open flames will result in a fire or explosion, which can cause serious bodily injury or death and damage to property.

⚠ WARNING: The gas connections of your gas grill have been factory tested. We do, however, recommend that you leak check all gas connections before operating your gas grill.

⚠ WARNING: Perform these leak checks even if your grill was dealer or store assembled.

⚠ WARNING: You should check for gas leaks every time you disconnect and reconnect a gas fitting.

NOTE: All factory-made connections have been thoroughly checked for gas leaks and the burners have been flame-tested. As a safety precaution, however, you should check all fittings for leaks before using your WEBER gas grill. Shipping and handling may loosen or damage a gas fitting.

CHECKING FOR GAS LEAKS

You will need: A spray bottle or brush or rag and a soap and water solution. (You can make your own soap and water solution by mixing 20% liquid soap with 80% water; or, you can purchase leak check solution in the plumbing section of any hardware store.)

- Turn gas supply off at source.
- Check that **ALL** burner control knobs are in the off (○) position (1). Burner control knobs are shipped in the off (○) position, but you should check to be sure that they are turned off. Check by pushing burner control knobs in and turning them clockwise. If they do not turn, they are off. If they do turn, continue turning them clockwise until they stop; then they are off.
- Turn gas supply on at source (2).

⚠ WARNING: Do not ignite burners when leak checking.

- To check for leaks, wet fittings with the soap and water solution, using a spray bottle, brush or rag. If bubbles form, or if a bubble grows, there is a leak. Apply the soap and water solution to the following connections:

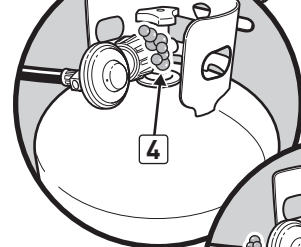
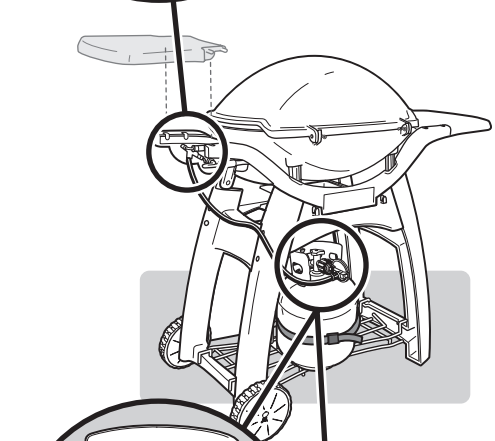
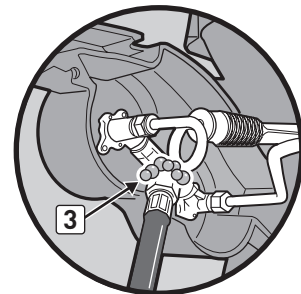
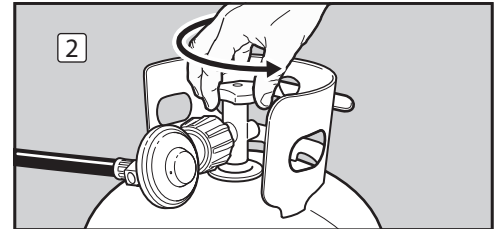
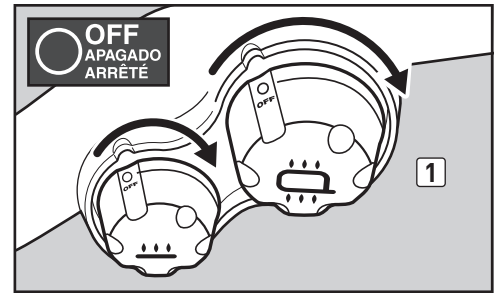
- Manifold-to-regulator hose connection (3).
- Regulator-to-tank connection (4).
- Regulator hose-to-regulator connection (5).

⚠ WARNING: If there is a leak at connections (3, 4 or 5), turn off the gas. NEVER ATTEMPT TO TIGHTEN THE REGULATOR WITH TANK VALVE OPEN. DO NOT OPERATE THE GRILL. Contact the Customer Service Representative in your area using the contact information on our web site. Log onto www.weber.com.

- When leak checking is complete, turn gas supply off at the source and rinse connections with water.

NOTE: Since some leak test solutions, including soap and water, may be slightly corrosive, all connections should be rinsed with water after checking for leaks.

Now you are ready to use your grill.



SAFETY FIRST

It's a good idea to get in the habit of performing a few safety checks before grilling.

Safety must be considered when you are deciding where to place and operate your grill. Be sure to read the following warnings before installing or using your grill.

WARNINGS:

- ⚠ Only use this grill outdoors in a well-ventilated area. Do not use in a garage, building, breezeway or any other enclosed area.
- ⚠ Your WEBER gas grill shall not be used beneath overhead combustible construction.
- ⚠ Your WEBER gas grill is not intended to be installed in or on recreational vehicles and/or boats.
- ⚠ Do not use the grill within 24 inches (61 cm) of combustible materials. This includes the top, bottom, back or sides of the grill.
- ⚠ Keep the cooking area clear of flammable vapors and liquids such as gasoline, alcohol, etc., and combustible materials.
- ⚠ The entire cookbox gets hot when in use. Do not touch.
- ⚠ Do not move the WEBER gas grill when operating or while grill is hot.

REMOVABLE CATCH PAN AND DISPOSABLE DRIP PAN

Your grill was built with a grease collection system, which funnels grease away from food and into a removable catch pan. For your convenience, you can also line the removable catch pan with a WEBER disposable drip pan, which will help keep the removable catch pan cleaner longer.

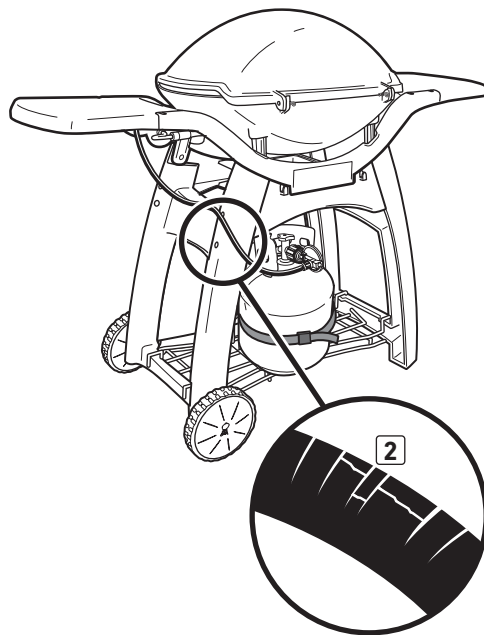
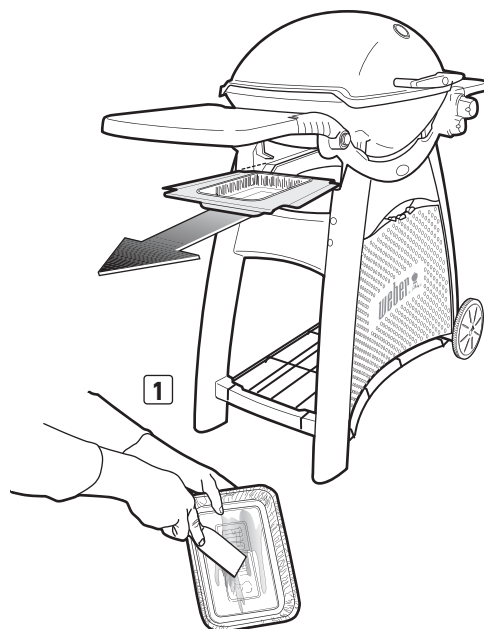
Cleaning the removable catch pan is just as important as cleaning the cookbox. Check the removable catch pan for grease build-up each time you use your grill. Remove excess grease with a plastic scraper (1). Wash the removable catch pan with warm, soapy water and rinse with water.

- ⚠ **WARNING:** Use caution when removing catch pan and disposing of hot grease.
- ⚠ **WARNING:** Check the removable catch pan or disposable drip pan for grease build-up before each use. Remove excess grease to avoid a grease fire. A grease fire can cause serious bodily injury or damage to property.
- ⚠ **CAUTION:** Do not line the cookbox, removable catch pan or disposable drip pan with aluminum foil.

HOSE INSPECTION

The hose should be inspected routinely for any signs of cracking (2).

- ⚠ **WARNING:** Check hose before each use of grill for nicks, cracking, abrasions or cuts. If the hose is found to be damaged in any way, do not use the grill. Replace using only WEBER authorized replacement hose. Contact the Customer Service Representative in your area using the contact information on our web site. Log onto www.weber.com.



BURNER IGNITION & USAGE

METHODS OF BURNER IGNITION

There are two ways to ignite the burner. The first is by using the ignition system built into your grill. The second is with a match.

Next are the steps for igniting your grill using the ignition system. On the following page are steps for igniting your grill with a match.

Summary lighting instructions are posted on the cart leg under the burner control knobs.

BURNER IGNITION

Electronic Ignition System

The electronic ignition system ignites the burner with a spark from the igniter electrode inside the Gas Catcher™ ignition chamber. You generate the energy for the spark by pushing the igniter button. You will hear the igniter clicking.

A) Open the grill lid (1).

⚠ DANGER

Failure to open the lid before igniting the grill's burners, or not waiting five minutes to allow the gas to clear if the grill does not light, may result in an explosive flare-up which can cause serious bodily injury or death.

B) Make sure **ALL** burner control knobs are turned off (2). Check by pushing burner control knobs in and turning them clockwise until they stop.

⚠ **WARNING: The burner control knobs must be in the off (○) position before you turn on the LP tank valve. If they are not in the off (○) position when you turn on the LP tank valve, the "excess gas flow control" feature will activate, limiting the flow of gas from the LP tank. If this should occur, turn off the LP tank valve and burner control knobs. Start over.**

⚠ DANGER

When the "excess gas flow control" feature is activated, a small amount of gas is still flowing to the burners. After turning off the LP tank valve and burner control knobs, wait at least five minutes for the gas to clear before attempting to light the grill. Failure to do so may result in an explosive flare-up, which can cause serious bodily injury or death.

- C) Turn the LP tank on by slowly turning the tank valve counterclockwise; wait 60 seconds (3).
- D) Light the outside burner by pushing the large burner control knob in and turning it counterclockwise to start/high (⚡) position (4).
- E) Push and hold in the igniter button (5). You will hear the igniter clicking.
- F) Check that the burner is lit by looking through the cooking grates. You should see a flame.

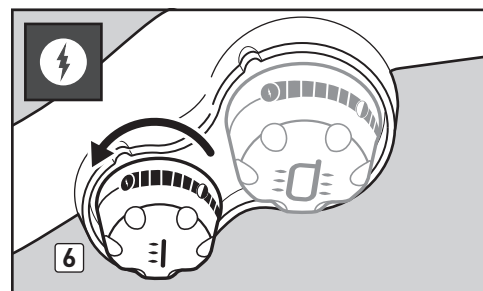
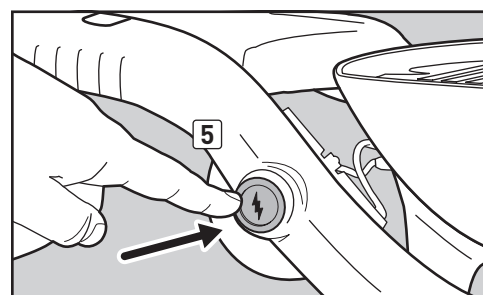
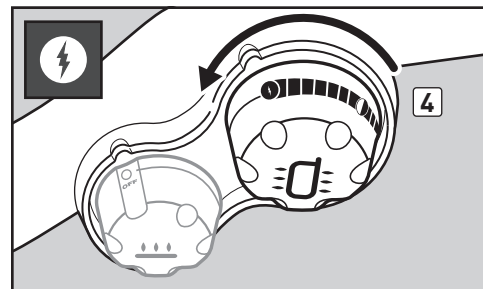
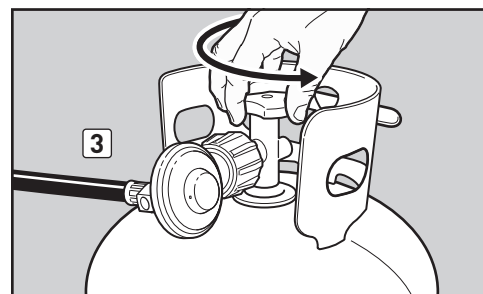
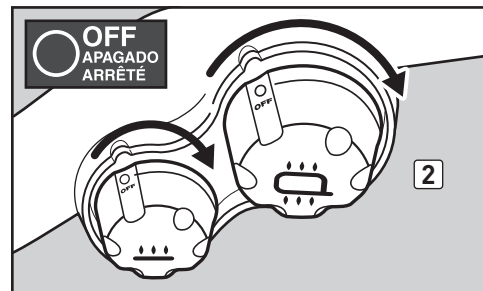
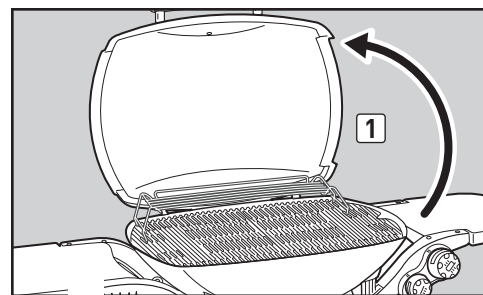
⚠ **WARNING: While igniting the grill or cooking, never lean over open grill.**

⚠ **WARNING: If the burner fails to ignite within five seconds, stop, turn the burner control knob to off and wait five minutes to allow the gas to clear before you try again or light with a match.**

G) After the outside burner is lit, you can turn on the inside burner. Push in the small burner control knob and turn it to start/high (⚡) position (6). The inside burner will then be ignited by the outside burner.

TO EXTINGUISH BURNER

Push each burner control knob in and turn it clockwise to the off (○) position. Turn gas supply off at the source.



Some batteries have a plastic protective wrap around them. This plastic must be removed before you attempt to ignite your grill. Do not confuse this plastic with the battery label.

BURNER IGNITION & USAGE

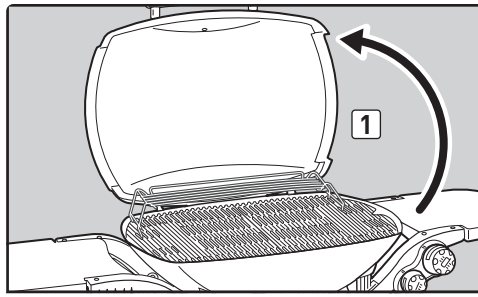
BURNER IGNITION

Lighting with a Match

A) Open the grill lid (1).

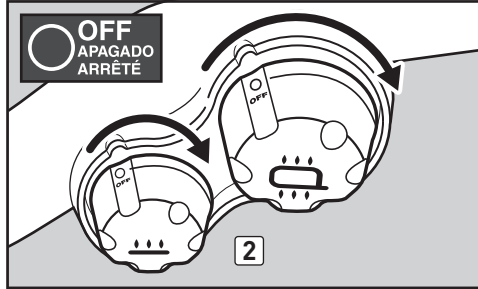
⚠ DANGER

Failure to open the lid before igniting the grill's burners, or not waiting five minutes to allow the gas to clear if the grill does not light, may result in an explosive flare-up which can cause serious bodily injury or death.



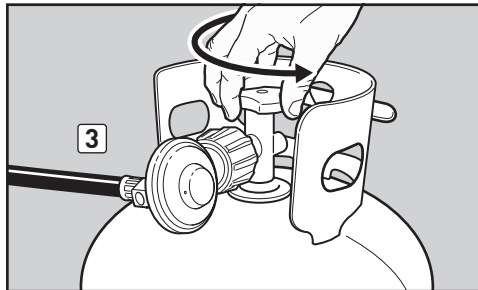
B) Make sure ALL burner control knobs are turned off (2). Check by pushing burner control knobs in and turning them clockwise until they stop.

⚠ WARNING: The burner control knobs must be in the off (○) position before you turn on the LP tank valve. If they are not in the off (○) position when you turn on the LP tank valve, the "excess gas flow control" feature will activate, limiting the flow of gas from the LP tank. If this should occur, turn off the LP tank valve and burner control knobs. Start over.

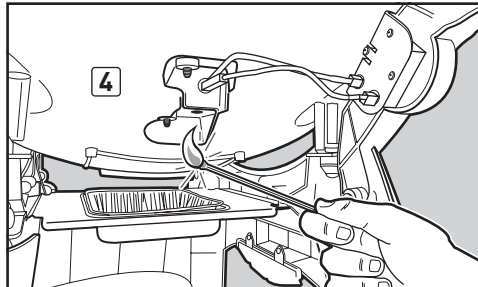


⚠ DANGER

When the "excess gas flow control" feature is activated, a small amount of gas is still flowing to the burners. After turning off the LP tank valve and burner control knobs, wait at least five minutes for the gas to clear before attempting to light the grill. Failure to do so may result in an explosive flare-up, which can cause serious bodily injury or death.

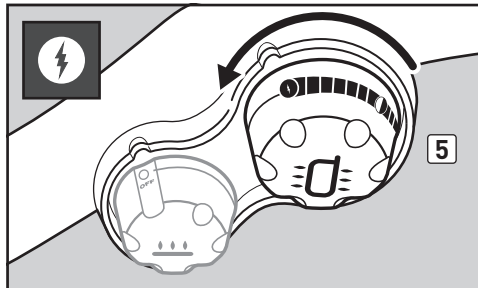


C) Turn the LP tank on by slowly turning the tank valve counterclockwise; wait 60 seconds (3).
D) Strike a match and put the flame under the matchlight hole (4). While holding lit match, light the outside burner by pushing the large burner control knob in and turning it counterclockwise to start/high (†) position (5).
E) Check that the burner is lit by looking through the cooking grates. You should see a flame.

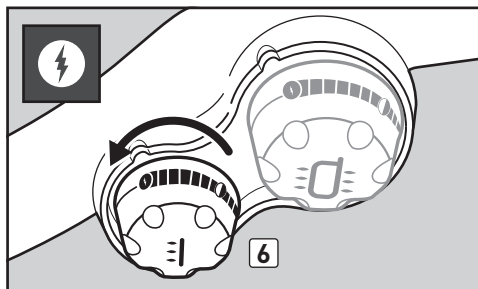


⚠ WARNING: Do not lean over the open grill while igniting. Keep your face and body at least 12 in (30 cm) away from the matchlight hole when lighting the grill.

⚠ WARNING: If the burner fails to ignite within five seconds, stop, turn the burner control knob to off and wait five minutes to allow the gas to clear before you try again or light with a match.



F) After the outside burner is lit, you can turn on the inside burner. Push in the small burner control knob and turn it to start/high (†) position (6). The inside burner will then be ignited by the outside burner.



TO EXTINGUISH BURNER

Push each burner control knob in and turn it clockwise to the off (○) position. Turn gas supply off at the source.

TIPS & HINTS

- Always preheat the grill before cooking. Set burner(s) on high heat and close lid; preheat for 10 to 15 minutes.
- The temperature of your gas grill may run hotter than normal for the first few uses.
- Recipe grilling times are based on outside temperatures of 70°F (21°C) and little or no wind. Allow for more cooking time on cold or windy days, or at higher altitudes. Allow for less cooking time in extremely hot weather.
- Grilling conditions may require adjustment of the burner control knobs to attain the correct cooking temperatures.
- Sear meats and cook with the lid down for perfectly grilled food every time.
- Crowding food onto a cooking grate means more time will be required to cook the food.
- Trim excess fat from steaks, chops, and roasts, leaving no more than a scant ¼ inch (6.4 mm) of fat. Less fat makes cleanup easier, and is a virtual guarantee against unwanted flare-ups.
- In general, large pieces of meat will require more cooking time per pound (kilo) than small pieces of meat.
- Some foods, such as a casserole or thin fish fillets, will require a container for grilling. Disposable foil pans are very convenient, but any metal pan with ovenproof handles can also be used.
- Foods in containers, such as baked beans, will require more time if grilled in a deep casserole than in a shallow baking pan.
- Use tongs rather than a fork for turning and handling meats to avoid losing natural juices. Use two spatulas for handling large whole fish.
- Always be sure the cookbox and removable catch pan are clean and free from debris.
- Do not line the cookbox with foil. This could prevent the grease from flowing into the removable catch pan.
- If an unwanted flare-up should occur, turn burner(s) off and move food to another area of the cooking grate. Any flames will quickly subside. After flames subside, relight the grill. NEVER USE WATER TO EXTINGUISH FLAMES ON A GAS GRILL.
- Using a timer will help to alert you when “well done” is about to become “overdone.”
- A light coating of oil will help brown your food evenly and keep it from sticking to the cooking grate. Always brush or spray oil onto your food, not directly onto the cooking grate.
- When using a marinade, sauce or glaze with a high sugar content or other ingredients that burn easily, only brush it onto the food during the last 5 to 10 minutes of barbecuing.

PREHEATING

Preheating the grill before grilling is important. To preheat: Light your grill according to the instructions in this Owner's Guide; then turn burner(s) to start/high (½) position, close the lid, and preheat grill. This will take 10 to 15 minutes depending on conditions such as air temperature and wind. After preheating, you can adjust the burner(s) as desired.

⚠ WARNING: Should the burner(s) go out while grill is in operation, turn all gas valves off. Open the lid and wait five minutes before attempting to relight grill, using the igniting instructions.

COVERED COOKING

All grilling is done with the lid down to provide uniform, evenly circulated heat. With the lid closed, the gas grill cooks much like a convection oven. The thermometer in the lid, a feature on some of our grills, indicates the cooking temperature inside the grill. All preheating and grilling is done with the lid down. No peeking — heat is lost every time you lift the lid.

GREASE COLLECTION SYSTEM

Unique cooking grate design features angled, cast-iron rails that deflect drippings away from the burner tube(s), preventing flare-ups that can char food. The remaining drippings flow into a removable catch pan that slides out for easy cleaning.


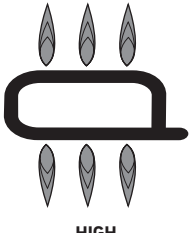

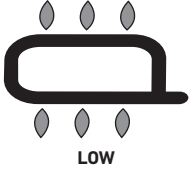

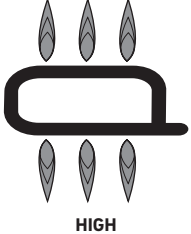

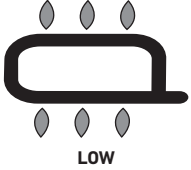

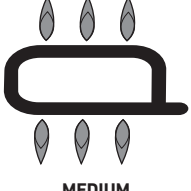
For more grilling tips and recipes, visit www.weber.com.

COOKING METHODS

DIRECT METHOD OR INDIRECT METHOD?

The most important thing to know about grilling is which cooking method to use for a specific food, direct or indirect. The difference is simple. With the direct method, which is similar to broiling, the food is cooked directly over the fire. With the indirect method, fire is arranged on either side of the food. The indirect method is similar to roasting, but with the added benefits of that grilled texture, flavor, and appearance you can't get from cooking with an oven. Using the right method is the shortest route to great results—and the best way to ensure doneness safety.

With each method, you can adjust the burners as desired. The control settings — HIGH, MEDIUM, LOW, or OFF — are described in the chart to the right. For example, to sear steaks, set both burners to HI, then to complete cooking, set both burners to LOW. For great grilling inspiration, visit www.weber.com/recipes.

COOKING METHOD AND USES	INSIDE BURNER CONTROL SETTING	OUTSIDE BURNER CONTROL SETTING
PREHEAT	 HIGH	 HIGH
DIRECT LOW Chicken pieces, sausage	 LOW	 LOW
SEARING Steak and items that need searing <i>Start by searing thick steaks over direct high heat...</i> <i>...finish by cooking over direct low heat</i>	 HIGH	 HIGH
	 LOW	 LOW
INDIRECT Small whole chicken	 OFF	 MEDIUM

TROUBLESHOOTING

GENERAL TROUBLESHOOTING

PROBLEMS	SOLUTIONS
<p>Burners do not ignite.</p> <p>Burners have a small flickering flame when burner control knobs are on the high (H) position.</p> <p>Grill temperature only reaches 250° to 300° F (121° to 149° C) when burner control knobs are on the high (H) position.</p>	<p>The “excess gas flow control” feature, which is part of the grill-to-tank connection, may have been activated. To reset the “excess gas flow control” feature, refer to “BURNER IGNITION.”</p> <p>⚠ DANGER: When the “excess gas flow control” feature is activated, a small amount of gas is still flowing to the burners. After turning off the LP tank valve and burner control knobs, wait at least five minutes for the gas to clear before attempting to light the grill. Failure to do so may result in an explosive flare-up, which can cause serious bodily injury or death.</p>
<p>Burner does not ignite when you push the igniter button.</p>	<p>Be sure that there is gas flow to the burners by attempting to match light your burners. Refer to “BURNER IGNITION—Lighting with a Match.” If match lighting is successful, the problem lies in the ignition system. Refer to “MAINTAINING THE ELECTRONIC IGNITION SYSTEM.”</p> <p>Be sure that wires are correctly inserted into terminals on igniter electrode assembly. Check that the wires are connected to terminals on the electronic igniter module. Refer to “MAINTAINING THE ELECTRONIC IGNITION SYSTEM.”</p> <p>If a new battery is installed, confirm that battery’s plastic wrapping has been removed. Verify that the battery is in good condition and has been installed correctly. Refer to “MAINTAINING THE ELECTRONIC IGNITION SYSTEM.”</p>
<p>If you smell gas and/or hear a light hissing sound, the internal rubber seal in the LP tank valve could be damaged.</p>	<p>Extinguish any open flame. Shut off the gas to the appliance (grill). Inspect the rubber seal for damage. If damaged, return tank to place of purchase.</p>
<p>If you smell gas and/or hear a light hissing sound, the connection between the regulator and gas tank could be incomplete.</p>	<p>Extinguish any open flame. Shut off the gas to the appliance (grill). Refer to the LP TANK INSTALLATION AND REMOVAL and PREPARING TO USE YOUR GRILL sections of your owner’s manual.</p>
<p>Burner does not ignite, or flame is low when burner control knob is on high (H) position.</p>	<p>LP fuel could be low or empty. Refill LP tank.</p> <p>Fuel hose could be bent or kinked. Straighten fuel hose.</p>
<p>Burner flame pattern is erratic.</p> <p>Flame is low when burner control knob is on high (H) position.</p> <p>Flames do not run the whole length of the burner tube.</p>	<p>Clean burner ports that run down the entire length of burner tube. Refer to “ANNUAL MAINTENANCE.”</p>
<p>Burners burn with a yellow or orange flame, in conjunction with the smell of gas.</p>	<p>Inspect spider/insect screens for possible obstructions. (Blockage of holes.) Clean spider/insect screens. Refer to “ANNUAL MAINTENANCE.”</p>
<p>Experiencing flare-ups.</p> <p>⚠ CAUTION: Do not line the cookbox with aluminum foil.</p>	<p>Grill must be preheated with all burners on high for 10 to 15 minutes.</p> <p>Clean the cooking grates thoroughly to remove grease. Refer to “CLEANING THE INSIDE OF THE GRILL.”</p> <p>The cookbox may be dirty and is not allowing grease to flow into removable catch pan. Clean cookbox. Refer to “CLEANING THE INSIDE OF THE GRILL.”</p>
<p>Inside of lid appears to be “peeling.” (Resembles paint peeling.)</p>	<p>The inside of the lid is cast aluminum. It is not painted. It cannot “peel.” What you are seeing is baked-on grease that has turned to carbon and is flaking off. THIS IS NOT A DEFECT. Clean thoroughly. Refer to “CLEANING THE INSIDE OF THE GRILL.”</p>

If problems cannot be corrected by using these methods, please contact the Customer Service Representative in your area using the contact information on our web site. Log onto www.weber.com.

KEEPING YOUR WEBER GRILL IN TIP-TOP SHAPE

⚠ DANGER

Failure to correct any problems described on this page may result in a fire, which can cause serious bodily injury or death, and cause damage to property.

To keep your WEBER gas grill performing as safely and efficiently as on day one, we strongly recommend that you inspect and clean the spider/insect screen(s) and burner tube(s) at least once a year. Below is important information about these two areas of the grill that should undergo annual maintenance.

If you observe an incorrect flame pattern or blocked burner port, proceed to the "BURNER TUBE CLEANING OR REPLACEMENT" instructions on the following page.

BURNER FLAME PATTERN

The burner tube(s) in your WEBER gas grill was/were factory set for the correct air and gas mixture. The correct flame pattern is shown in illustration and described below:

- Burner tube(s) (1)
- Tips occasionally flicker yellow (2)
- Light blue (3)
- Dark blue (4)

Check burner flame pattern. If the flames do not match the above description, it could be an indication that the spider/insect screen(s) has/have become dirty or blocked.

WEBER SPIDER/INSECT SCREEN(S)

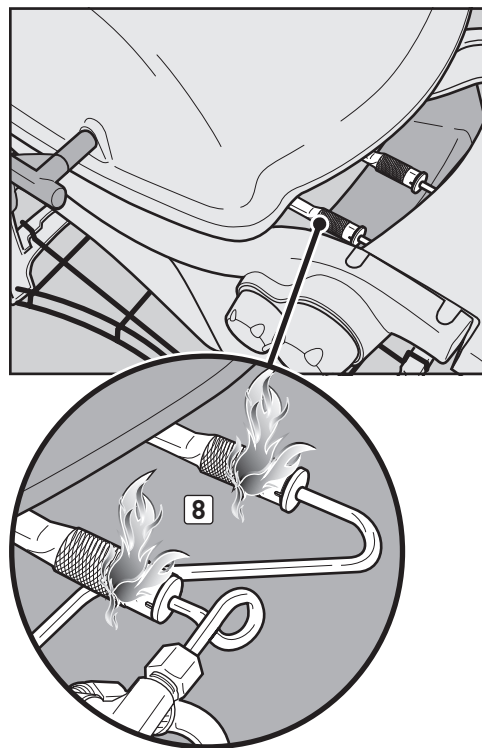
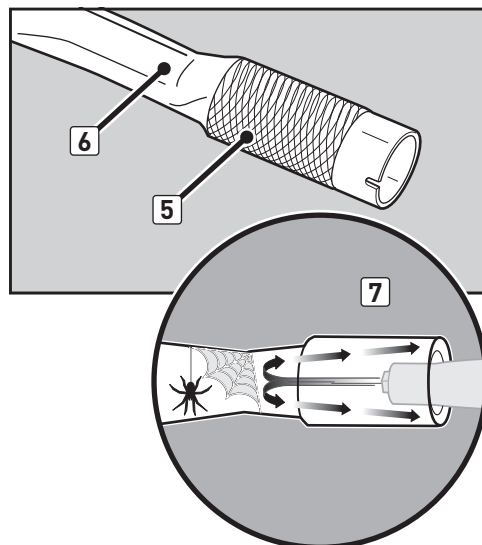
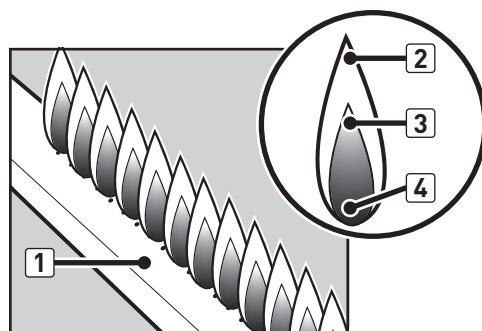
The combustion air opening(s) of the burner tube(s) (5) is/are fitted with stainless steel screen(s) to help prevent spiders and other insects from spinning webs and building nests inside the venturi section (6) of the burner tube(s). These nests can obstruct the normal gas flow, and can cause gas to flow back out of the combustion air opening(s) (7). Symptoms of this kind of obstruction include the odor of gas in conjunction with burner flames that appear yellow and lazy. This obstruction could result in a fire (8) in and around the gas valve(s), causing serious damage to your grill.

NOTE: If a spider/insect screen becomes damaged or cannot be cleaned, please contact the Customer Service Representative in your area using the contact information on our web site. Log onto www.weber.com.

BURNER TUBE PORTS

Over time, from repeated use of the grill, the burner tube ports will become dirty. Blocked and dirty ports can restrict full gas flow. Following are ways to determine whether burner tube ports are dirty or blocked.

- Grill does not reach desired temperature
- Grill heats unevenly
- One or more of the burner(s) do not ignite



ANNUAL MAINTENANCE

BURNER TUBE CLEANING OR REPLACEMENT

Confirm that Grill is Off and Cool

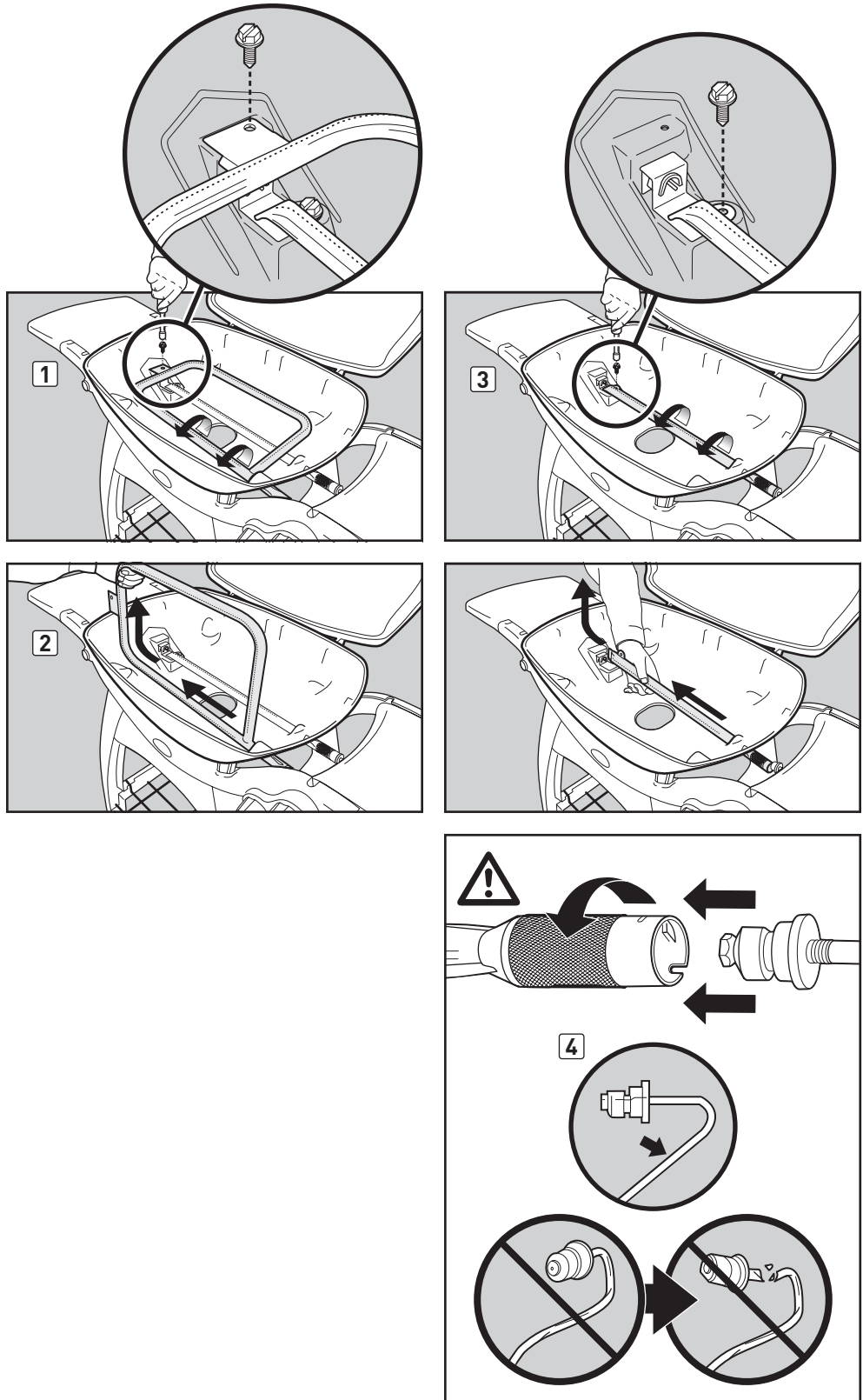
- A) Turn gas supply off at source and disconnect gas fitting.
- B) Check that all burner control knobs are in the off (O) position. Check by pushing burner control knobs in and turning them clockwise until they stop. If they do not turn, they are already off. If they do turn, continue turning them clockwise until they stop; then they are off.
- C) Open lid and remove cookbox components.

Remove Burner Tubes

You will need: A 3/8" nut driver.

- A) Remove the screw that holds the outside burner tube to the cookbox (1).
- B) Rotate the outside burner tube 90°. Slide and lift burner tube away from valve orifice and remove from cookbox. (2)
- C) Repeat this procedure for the inside burner tube (3).

⚠ CAUTION: Care must be taken when removing or reinstalling burner tubes. Do not force or bend the gas lines that connect the control valves to the burner tubes (4).



ANNUAL MAINTENANCE

Clean Burner Tubes

You will need: A flashlight, a wire (a straightened-out coat hanger), a suitable stainless steel bristle brush, and a soft bristle brush (toothbrush).

- A) Look inside each burner tube with a flashlight (5).
- B) Clean any debris or blockage from the inside of the burner tubes with the wire (6).

- C) Check spider/insect screens at the ends of the burner tubes and clean them using the soft bristle brush (7).

⚠ CAUTION: Do not clean the spider/insect screens with hard or sharp tools. Do not dislodge the spider/insect screens or enlarge the screen openings.

- D) Use the steel bristle brush to clean the outside of the burner tubes. This is done to make sure all burner ports (openings) running along the length of the burner tubes are fully open (8).

⚠ CAUTION: Do not enlarge the burner ports when cleaning.

Reinstall Burner Tubes

You will need: A 3/8" nut driver.

- A) Carefully slide the inside burner tube back into hole in right side of cookbox (9), aligning burner tube opening with valve orifice (10).

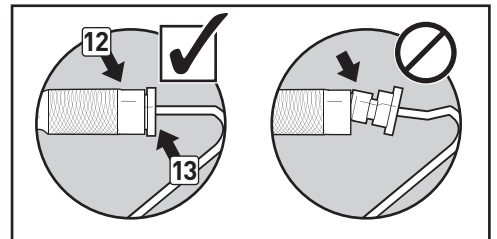
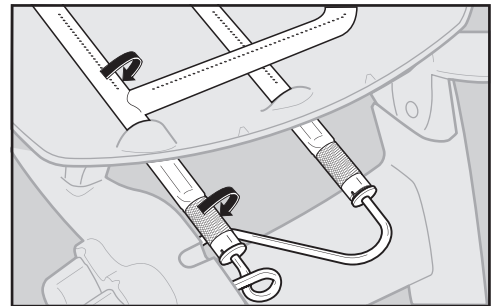
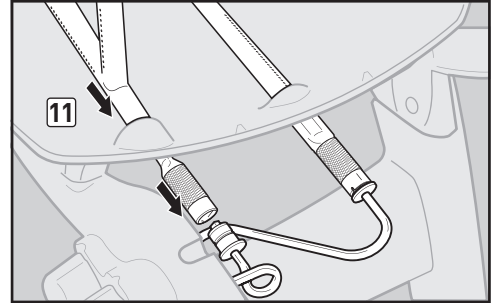
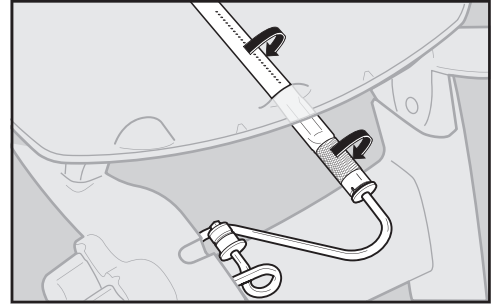
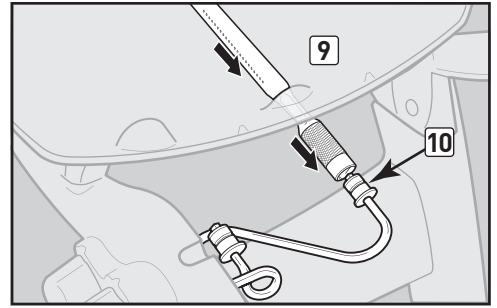
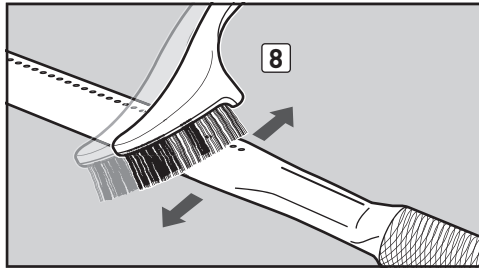
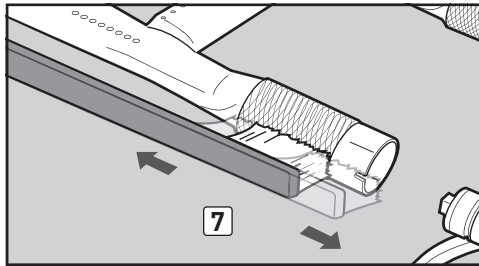
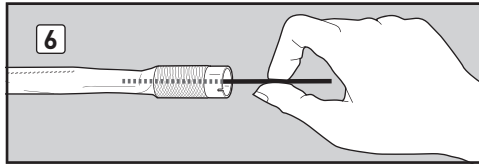
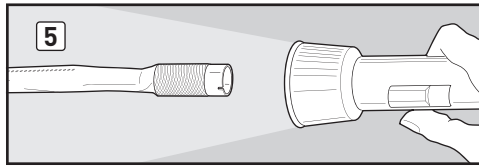
- B) Reinstall screw that holds the inside burner tube to the cookbox.

- C) Repeat this procedure for the outside burner tube (11).

⚠ CAUTION: The burner tube openings (12) must be positioned properly over the valve orifices (13).

⚠ WARNING: You should check for gas leaks every time you disconnect and reconnect a gas fitting. Refer to "CHECKING FOR GAS LEAKS."

- D) Replace cookbox components.



BEAUTIFUL— INSIDE AND OUT

WEBER grill owners take a lot of pride in their grills. Flaunt your pride and joy. Keep your grill clean and beautiful—inside and out—by following these routine maintenance steps.

CLEANING THE OUTSIDE OF THE GRILL

To keep the outside of your grill looking its best, use the following guidelines for safe cleaning.

⚠ WARNING: Turn your WEBER gas grill off and wait for it to cool before cleaning it.

Painted, Enameled and Plastic Surfaces

Use a warm, soapy water solution to clean outside surfaces; then rinse with water.

IMPORTANT: Do not use cleaners that contain acid, mineral spirits, or xylene. Do not use oven cleaner, abrasive cleansers (kitchen cleansers), cleaners that contain citrus products, or abrasive cleaning pads on grill or cart surfaces.

Fold-down tables are not to be used as cutting boards.

CLEANING THE INSIDE OF THE GRILL

To keep your grill performing safely and efficiently, it is important to remove any debris and excess grease that may have accumulated on the inside of the grill. Use the following guidelines for safe cleaning.

Inside Lid

Flaking, built-up grease resembles paint flakes. Wipe inside of lid with paper towel to prevent grease build-up. Wash inside lid with warm, soapy water; then rinse with water.

Cookbox Components & Burner Tubes

You will need: A stainless steel bristle brush, and a stiff plastic scraper.

A) Scrape and brush the cooking grates with the scraper and brush. Remove the cooking grates and set aside.

⚠ CAUTION: Grill brushes should be checked for loose bristles and excessive wear on a regular basis. Replace brush if any loose bristles are found on cooking grates or brush. WEBER recommends purchasing a new stainless steel grill brush at the beginning of every spring.

⚠ CAUTION: Do not clean cooking grates in a self-cleaning oven.

B) Brush any debris off of burner tubes. Do not enlarge burner ports (openings) running along length of burner tube (1).

C) When cleaning is complete, replace the cooking grates.

Cookbox

Wash inside of cookbox with warm, soapy water; then rinse with water.

Removable Catch Pan and Disposable Drip Pan

Your grill was built with a grease collection system, which funnels grease away from food and into a removable catch pan. For your convenience, you can also line the removable catch pan with a WEBER disposable drip pan, which will help keep the removable catch pan cleaner longer.

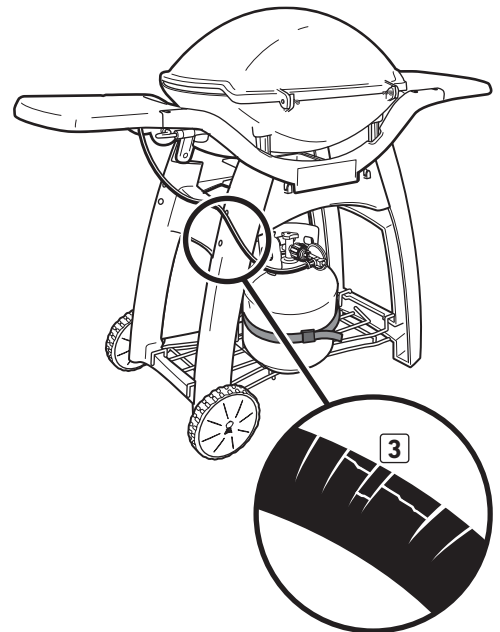
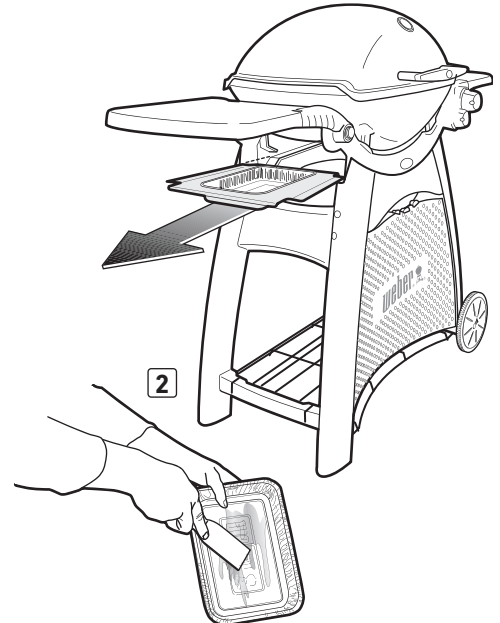
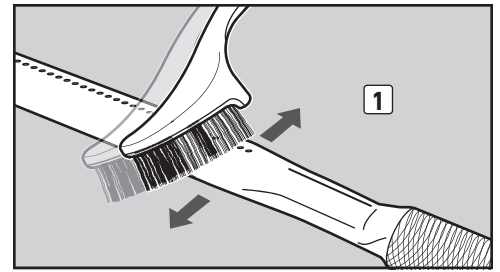
Cleaning the removable catch pan is just as important as cleaning the cookbox. Check the removable catch pan for grease build-up each time you use your grill. Remove excess grease with a plastic scraper (2). Wash the removable catch pan with warm, soapy water and rinse with water.

- ⚠ WARNING: Use caution when removing catch pan and disposing of hot grease.**
- ⚠ WARNING: Check the removable catch pan or disposable drip pan for grease build-up before each use. Remove excess grease to avoid a grease fire. A grease fire can cause serious bodily injury or damage to property.**
- ⚠ CAUTION: Do not line the cookbox, removable catch pan or disposable drip pan with aluminum foil.**

HOSE INSPECTION

The hose should be inspected routinely for any signs of cracking (3).

- ⚠ WARNING: Check hose before each use of grill for nicks, cracking, abrasions or cuts. If the hose is found to be damaged in any way, do not use the grill. Replace using only WEBER authorized replacement hose. Contact the Customer Service Representative in your area using the contact information on our web site. Log onto www.weber.com.**



To obtain replacement disposable drip pans and cooking grates, contact the local retailer in your area or log onto www.weber.com. If you need further assistance, contact your Customer Service Representative.

IGNITION SYSTEM OPERATIONS

The igniter supplies a spark to the igniter electrode assembly. Whether you are performing routine maintenance or a troubleshooting check on the ignition system, read the following to keep your ignition system working properly.

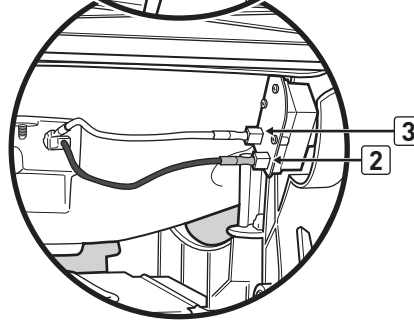
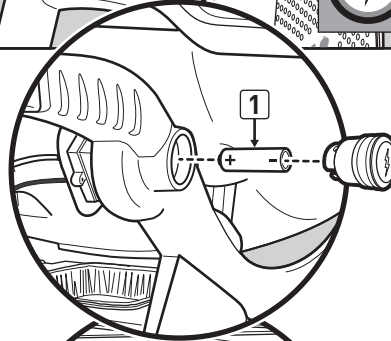
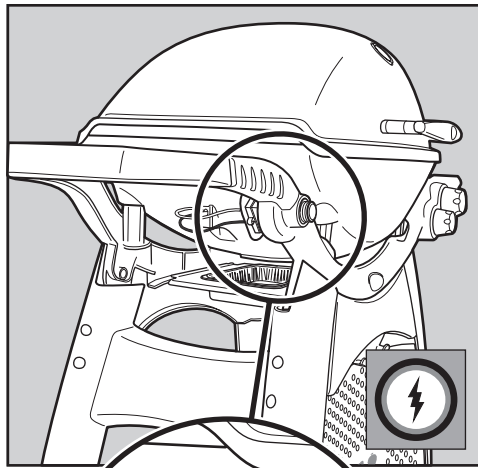
⚠ WARNING: All gas controls and supply valves should be in the OFF position.

If the igniter fails to ignite your Q grill, you will need to pinpoint where the problem is occurring: with the gas flow or with the ignition system. Begin by attempting to match light your burner. Refer to "BURNER IGNITION—Lighting with a Match." If match lighting is successful, the problem lies in the ignition system.

MAINTAINING THE ELECTRONIC IGNITION SYSTEM

- Verify that the AAA battery (alkaline only) is in good condition and is installed correctly (1). Some batteries have a plastic protective wrap around them. This plastic must be removed before installing battery. Do not confuse this plastic with the battery label.
- Make sure that both igniter wires are properly attached to the igniter module. Black wire to black terminal (2), white wire to white terminal (3).
- Make sure the electronic igniter button is working by listening for clicking and looking for sparks at burner.

If the electronic ignition system still fails to ignite, contact the Customer Service Representative in your area using the contact information on our web site. Log onto www.weber.com.





GUIA DEL USUARIO DEL ASADOR

LP

REGISTRAR SU ASADOR

Gracias por su compra del asador WEBER. Tómese unos minutos para proteger su inversión. Registre su asador ingresando a www.weber.com. Refiérase al número de serie que se encuentra en la cubierta de esta guía del propietario.

DEBE LEER ESTA GUÍA DEL PROPIETARIO ANTES DE PONER A FUNCIONAR LA BARBACOA DE GAS.

⚠ PELIGRO

Si huele a gas:

- 1) Cierre el suministro de gas al artefacto.
- 2) Apague todas las flamas cerrando la válvula general de paso.
- 3) Abra la tapa.
- 4) Llame inmediatamente a la central de fugas o a su proveedor de gas.

Una fuga de gas puede provocar un incendio o explosión que puede resultar en lesiones corporales serias o la muerte, o daños a la propiedad.

Antes de poner a funcionar la asador, siga cuidadosamente todos los procedimientos en este manual para verificar que no existan fugas. Haga esto aun y cuando la asador haya sido ensamblada por el distribuidor.

⚠ ADVERTENCIA

- 1) No almacene gasolina u otros fluidos inflamables en la cercanía de su aparato.
- 2) Ningún tanque de propano licuado que no esté conectado para su uso deberá almacenarse cerca de éste o cualquier otro artefacto doméstico.

No encienda este artefacto sin primero leer las secciones de ENCENDIDO DEL QUEMADOR de este manual.

ESTE ARTEFACTO A GAS ESTÁ DISEÑADO PARA USARSE SOLAMENTE AL AIRE LIBRE.

AVISO AL INSTALADOR: Estas instrucciones deben permanecer con el propietario, quien las deberá guardar para un futuro uso.

Before you begin



Enhance your assembly experience.

Download the free BILT™ app for 3D step-by-step instructions.



Descarga gratis la app BILT™ y sigue las instrucciones 3D paso a paso.
Téléchargez gratuitement l'application BILT™ pour obtenir les instructions étape par étape en 3D.

Ensamblaje 7

ES - SPANISH NORTH AMERICA

⚠ PELIGRO

El hacer caso omiso de los avisos de PELIGROS, ADVERTENCIAS y PRECAUCIONES contenidos en esta Guía del Propietario podría resultar en lesiones corporales serias o la muerte, o en un fuego o explosión que causase daños materiales.

ADVERTENCIAS:

- ⚠ El ensamblaje incorrecto de la barbacoa puede ser peligroso. Siga cuidadosamente las instrucciones de ensamblaje.
- ⚠ No use esta barbacoa a menos que todas sus partes estén instaladas en su debido lugar. La barbacoa debe ensamblarse correctamente de acuerdo a las instrucciones de ensamblaje.
- ⚠ La barbacoa de gas WEBER no debe ser nunca usada por niños. Partes accesibles de la barbacoa podrían estar muy calientes. Mantenga alejados a los niños pequeños mientras se esté usando.
- ⚠ Tenga cuidado al usar la barbacoa de gas WEBER. Estará caliente mientras se cocina en ella o se limpia, y nunca deberá dejarse desatendida ni moverse mientras esté funcionando.
- ⚠ No use carbón o piedra pómez en su barbacoa de gas WEBER.
- ⚠ Mientras enciende la barbacoa o cocina, nunca se incline sobre la barbacoa abierta.
- ⚠ Nunca coloque las manos o los dedos sobre el borde delantero de la caja de cocción cuando la barbacoa esté caliente o en la tapa esté abierta.
- ⚠ No trate de desconectar el regulador de gas ni cualquier otra conexión de gas mientras la barbacoa esté funcionando.
- ⚠ Mientras opere la barbacoa, utilice guantes resistentes al calor.
- ⚠ Use el conjunto del regulador de presión y manguera que se suministra con la barbacoa de gas WEBER.
- ⚠ Si llegasen a apagarse los quemadores mientras esté operando la barbacoa, cierre todas las válvulas de gas. Abra la tapa y espere cinco minutos antes de tratar de volver a encender la barbacoa, siguiendo las instrucciones de encendido.
- ⚠ No utilice la barbacoa a menos de 24 pulgadas (610 mm) de distancia de materiales combustibles. Esto incluye las partes superiores, inferiores, posteriores y laterales de la barbacoa.
- ⚠ No incorpore este modelo de barbacoa como parte integral o deslizante de una construcción. El ignorar esta ADVERTENCIA podría ocasionar un fuego o una explosión que podría causar daños materiales y lesiones corporales graves o la muerte.

- ⚠ No almacene un tanque de propano licuado desconectado o de repuesto debajo o cerca de esta barbacoa.
- ⚠ Tras haber estado guardada o sin uso por algún tiempo, antes de usar la barbacoa de gas WEBER verifique que no existan fugas de gas u obstrucciones en el quemador. Consulte las instrucciones en esta Guía del Propietario para los procedimientos correctos.
- ⚠ No opere la barbacoa de gas WEBER si hay presente una fuga de gas.
- ⚠ No utilice una llama abierta para comprobar la existencia de fugas de gas.
- ⚠ No ponga una cubierta de barbacoa o cualquier cosa inflamable sobre la barbacoa, o en el área de almacenamiento debajo de la barbacoa, mientras la misma esté en funcionamiento o caliente.
- ⚠ El propano licuado no es gas natural. El uso de gas natural en una unidad de propano licuado o viceversa, propano licuado en una de gas natural, es peligroso y anulará la garantía.
- ⚠ Mantenga a cualquier cordón eléctrico y a la manguera de suministro de gas alejados de toda superficie caliente.
- ⚠ Al limpiar las válvulas o los quemadores, no ensanche los orificios de las válvulas o las aberturas de los quemadores.
- ⚠ La barbacoa de gas WEBER deberá limpiarse a fondo con regularidad.
- ⚠ Un tanque de propano licuado abollado u oxidado pudiera ser peligroso y deberá ser revisado por su proveedor de propano licuado. No utilice ningún tanque de propano licuado con una válvula dañada.
- ⚠ Aunque su tanque de propano licuado pudiera aparentar estar vacío, algo de gas pudiera aún estar presente, por lo que el tanque deberá transportarse y almacenarse tomando esta posibilidad en consideración.
- ⚠ Si usted ve, huele o escucha el silbido de un escape de gas del tanque de propano licuado:
 1. Apártese del tanque de propano licuado.
 2. No intente corregir el problema usted mismo.
 3. Llame al cuerpo de bomberos local.
- ⚠ Si la grasa llegase a agarrar fuego, apague todos los quemadores y mantenga la tapa cerrada hasta que se haya apagado el fuego.

PROPOSICIÓN 65 DE CALIFORNIA:

- ⚠ **ADVERTENCIA:** Los subproductos de la combustión al utilizar este producto contienen sustancias químicas reconocidas por el estado de California como causantes de cáncer, defectos congénitos u otros daños reproductivos.
- ⚠ **PROPOSICIÓN 65 ADVERTENCIA:** La manipulación de las partes de latón de este producto le expone al plomo, una sustancia química reconocida por el estado de California como causante de cáncer, defectos congénitos u otros daños reproductivos. *Lávese las manos después de utilizar este producto.*



Para compras hechas en México / Para garantía acudir /
Importado por:
Weber-Stephen Products S.A. de C.V.
 Anatole France 139-139A
 Colonia. Polanco III Sección
 Miguel Hidalgo
 Ciudad de México
 C.P. 11540
 RFC: WPR030919-ND4
 Tel: 01800-00-WEBER (93237)

Para partes de repuesto ir a la dirección del importador o llame a: 01800-00-WEBER (93237)

Para hacer efectiva esta garantía es necesario llame por teléfono a los números indicados en este apartado o presentarse en los establecimientos autorizados por WEBER. Para hacer efectiva esta garantía no pueden exigirse otros requisitos más que la presentación del producto, la garantía vigente y comprobante de venta.

Los asadores que se ilustran en este Manual del Propietario pueden variar ligeramente con respecto al modelo comprado.

GARANTÍA

Gracias por su compra del producto WEBER. Weber-Stephen Products LLC, 1415 S. Roselle Road, Palatine, Illinois 60067 ("WEBER") se enorgullece en proporcionar un producto seguro, duradero y confiable.

Modelo:

Fecha de compra o instalación:

Esta es la garantía voluntaria WEBER proporcionada sin costo adicional. Contiene la información que tendrá que tener para que su producto WEBER se repare en el raro caso de una falla o defecto.

En cumplimiento con las leyes correspondientes, el cliente cuenta con varios derechos en el caso de un producto defectuoso. Esos derechos incluyen el rendimiento o reemplazo adicional, reducción del precio de compra y compensación. Por ejemplo, en la Unión Europea, se trataría de una garantía legal de dos años a partir de la fecha en que se entrega el producto. Estos y otros derechos legales permanecen vigentes por esta cláusula de garantía. De hecho, esta garantía otorga derechos adicionales al Dueño que son independientes de las cláusulas legales de garantía.

GARANTÍA VOLUNTARIA DE WEBER

WEBER garantiza, al comprador del producto WEBER (o en caso de una situación de regalo o promocional, la persona para la cual se compró como regalo o promoción), que el producto WEBER está libre de defectos en materiales y mano de obra por el/los periodo(s) de tiempo especificados a continuación cuando se arma y opera de acuerdo con Guía del Usuario acompañante. (Nota: Si usted pierde o no encuentra su Guía del Usuario de WEBER, puede encontrar una de reemplazo en línea en www.weber.com, o en el sitio específico del país que se le pueda asignar al Dueño). Bajo uso y mantenimiento normal en viviendas o departamentos familiares, WEBER está de acuerdo dentro del marco de esta garantía en reparar o reemplazar las partes defectuosas dentro de los periodos de tiempo correspondientes, las limitaciones y exclusiones incluidas continuación, HASTA EL GRADO PERMITIDO POR LA LEY CORRESPONDIENTE, ESTA GARANTÍA SE AMPLIA SOLO AL COMPRADOR ORIGINAL Y NO ES TRANSFERIBLE A DUEÑOS POSTERIORES, CON EXCEPCIÓN DEL CASO DE REGALOS Y ARTÍCULOS PROMOCIONALES COMO SE INDICÓ ARRIBA.

RESPONSABILIDADES DEL DUEÑO BAJO ESTA GARANTÍA

Para asegurar una cobertura de garantía sin problemas, es importante (sin embargo no es requisito) que registre su producto WEBER en línea en www.weber.com, o en el sitio especificado por país que se le pueda indicar al cliente). Conserve también por favor su recibo o factura de compra original. Al registrar su producto WEBER confirma su cobertura de garantía y proporciona un enlace directo entre usted y WEBER en caso de que necesitemos contactarlo.

La garantía anterior solo se aplica si el Dueño toma el cuidado razonable del producto WEBER siguiendo todas las instrucciones de armado, las instrucciones de uso, y el mantenimiento preventivo, como se describe en la Guía del Usuario anexa, a menos que el Dueño pueda comprobar que el defecto o la falla es independiente de la falta de cumplimiento con las obligaciones mencionadas arriba. Si usted vive en un área costera o tiene su producto ubicado cerca de una piscina, el mantenimiento incluye el lavado y enjuagado regular de las superficies exteriores como se describe en la Guía del Usuario acompañante.

MANEJO DE GARANTÍA / EXCLUSIÓN DE GARANTÍA

Si usted cree que cuenta con una pieza cubierta bajo esta Garantía, contacte por favor al Departamento de Servicio al Cliente de WEBER utilizando la información en nuestro sitio (www.weber.com), o la información específica del sitio a donde se le indique al Dueño). Después de una investigación, WEBER reparará o reemplazará (a su propia opción) una pieza defectuosa cubierta por esta Garantía. En el caso en que no sea posible una reparación o reemplazo, WEBER puede escoger (a su propia opción) reemplazar el asador en cuestión con un nuevo asador de igual o mayor valor. WEBER puede pedirle que regrese las piezas para su inspección, los cobros por envío deben ser prepagados.

Las garantías deben amparar todas las piezas y componentes del producto e incluir la mano de obra. En consecuencia, los importadores están obligados a reemplazar cualquier pieza o componente defectuoso sin costo adicional para el consumidor. Dichas garantías deben incluir los gastos de transporte del producto que deriven de su cumplimiento, dentro de su red de servicio.

Esta garantía no es válida en los siguientes casos:

1. Cuando el producto haya sido utilizado en condiciones distintas a las normales.
2. Cuando el producto no haya sido operado de acuerdo con el instructivo de uso proporcionado.
3. Cuando el producto ha sido alterado o reparado por personas no autorizadas por WEBER.

Esta GARANTÍA se anula si existen daños, deterioros, descoloraciones u óxido por los cuales WEBER no sea responsable y que sean ocasionados por:

- abuso, falta de uso, alteración, modificación, mal uso, vandalismo,

negligencia, montaje o instalación inadecuada y no realizar el mantenimiento normal y de rutina;

- Insectos (como arañas) y roedores (como ardillas), incluyendo más no limitándose a daños a los tubos del quemador y/o las mangueras de gas;
- Exposición a fuentes de aire con alta concentración de sal o cloro como piscinas y jacuzzis/spas;
- Condiciones ambientales severas como granizo, huracanes, terremotos, tsunamis u oleaje, tornados o fuertes tormentas.

Cualquier pieza que sea usada y/o instalada en su producto WEBER y que no sea una pieza WEBER genuina no está cubierta por esta Garantía. Cualquier daño que resulte del uso y/o instalación de las piezas en su producto WEBER que no sea una pieza Weber genuina, no está cubierto por esta garantía. Cualquier conversión de un asador de gas no autorizada por WEBER y realizada por un técnico de servicio autorizado WEBER anulará esta Garantía.

PERIODOS DE GARANTÍA DE PRODUCTO

Caja para cocinar:
5 años, sin que atraviese el óxido/quemaduras
(2 años para la pintura excluyendo el deterioro o descoloración)

Conjunto de la tapa:
5 años, sin que atraviese el óxido/quemaduras
(2 años para la pintura excluyendo el deterioro o descoloración)

Tubos del quemador de acero inoxidable:
5 años, sin que atraviese el óxido/quemaduras

Rejillas para cocinar de hierro vaciado con esmalte de porcelana:
5 años, sin que atraviese el óxido/quemaduras

Componentes plásticos:
5 años, excluyendo el deterioro o descoloración

Todas las partes restantes:
2 años

DESCARGOS DE RESPONSABILIDADES

ADEMÁS DE LA GARANTÍA Y DESCARGOS DE RESPONSABILIDADES DESCRITOS EN ESTA DECLARACIÓN DE GARANTÍA, NO EXISTEN EXPLICITAMENTE GARANTÍAS ADICIONALES O DECLARACIONES VOLUNTARIAS DE RESPONSABILIDAD OTORGADAS POR EL PRESENTE QUE VAN MÁS ALLÁ DE LA RESPONSABILIDAD LEGAL APLICADA A WEBER. LA PRESENTE DECLARACIÓN DE GARANTÍA NO SE LIMITA NI EXCLUYE SITUACIONES O RECLAMOS EN DONDE WEBER CUENTA CON RESPONSABILIDAD OBLIGATORIA COMO LO ESTABLECE LA LEY.

NINGUNA GARANTÍA SE DEBERÁ APLICAR DESPUÉS DE LOS PERIODOS DE TIEMPO CORRESPONDIENTES DE ESTAS GARANTÍAS. NINGUNA OTRA GARANTÍA OFRECIDA POR CUALQUIER PERSONA, INCLUYENDO UN DISTRIBUIDOR O MINORISTA CON RESPECTO A CUALQUIER PRODUCTO (COMO CUALQUIER "GARANTÍA PROLONGADA"), DEBERÁN VINCULAR A WEBER. EL REMEDIO EXCLUSIVO DE ESTA GARANTÍA ES LA REPARACIÓN O REEMPLAZO DE LA PIEZA O PRODUCTO.

BAJO NINGUNA CIRCUNSTANCIA BAJO ESTA GARANTÍA VOLUNTARIA, LA RECUPERACIÓN DE CUALQUIER TIPO DEBERÁ SER MAYOR QUE LA CANTIDAD DEL PRECIO DE COMPRA DEL PRODUCTO WEBER VENDIDO.

USTED ASUME EL RIESGO Y RESPONSABILIDAD POR PÉRDIDA, DAÑO O LESIÓN HACIA USTED Y HACIA SU PROPIEDAD Y/O HACIA OTROS Y SUS PROPIEDADES QUE SE DERIVEN DEL MAL USO O ABUSO DEL PRODUCTO O DEBIDO A LA FALTA DE SEGUIMIENTO DE LAS INSTRUCCIONES PROPORCIONADAS POR WEBER EN LA GUÍA DEL USUARIO ACOMPAÑANTE.

LAS PIEZAS Y ACCESORIOS REMPLAZADOS BAJO ESTA GARANTÍA ESTÁN GARANTIZADOS SOLAMENTE POR EL TIEMPO RESTANTE DEL/DE LOS PERIODO(S) ORIGINAL(ES) DE GARANTÍA.

ESTA GARANTÍA SE APLICA AL USO EN HOGARES O DEPARTAMENTOS FAMILIARES PRIVADOS Y NO SE APLICA CUANDO LOS ASADORES DE GAS WEBER SE USAN EN AMBIENTES COMERCIALES, COMUNITARIOS O DE UNIDADES MÚLTIPLES COMO RESTAURANTES, HOTELES, CENTROS TURÍSTICOS O PROPIEDADES DE RENTA.

WEBER PUEDE DE VEZ EN CUANDO CAMBIAR EL DISEÑO DE SUS PRODUCTOS. NADA INCLUIDO EN ESTA GARANTÍA DEBERÁ INTERPRETARSE COMO UNA OBLIGACIÓN DE WEBER DE INCORPORAR DICHOS CAMBIOS DE DISEÑO EN LOS PRODUCTOS FABRICADOS ANTERIORMENTE, NI TAMPOCO DICHOS CAMBIOS DEBERÁN INTERPRETARSE COMO UNA ADMISIÓN DE QUE LOS DISEÑOS PREVIOS ESTABAN DEFECTUOSOS.

Webster-Stephen PRODUCTS LLC
Centro de Servicio al Cliente
1415 S. Roselle Road
Palatine, IL 60067
EE.UU.

Para piezas de repuesto, llame al:
1-800-446-1071

ÍNDICE

WEBER Q 3200 DIAGRAMA DE DESPIECE.....	4
LISTA DE PARTES	6
ENSAMBLAJE.....	7
CARACTERÍSTICAS DE ALMACENAMIENTO ...	19
ADVERTENCIAS	36
GARANTÍA.....	37
ÍNDICE	37
INFORMACIÓN IMPORTANTE ACERCA DEL GAS PROPANO LICUADO	38
¿QUÉ ES EL GAS PROPANO LICUADO?.....	38
CONSEJOS PARA LA MANIPULACIÓN SEGURA DE LOS TANQUES DE GAS PROPANO LICUADO	38
ALMACENAJE Y/O FALTA DE USO.....	38
CÓDIGOS DE INSTALACIÓN DE LOS EE.UU.....	38
CÓDIGOS DE INSTALACIÓN MÉXICO	38
CÓDIGOS DE INSTALACIÓN CANADIENSES.....	38
REQUISITOS RESPECTO A LOS TANQUES DE PROPANO LICUADO EN LOS EE.UU.	38
REQUISITOS CANADIENSES PARA LOS TANQUES DE PROPANO LICUADO.....	38
INFORMACIÓN IMPORTANTE ACERCA DE LAS CONEXIONES DE GAS PROPANO LICUADO ...	39
¿QUÉ ES UN REGULADOR?.....	39
CONEXIONES DEL REGULADOR.....	39
INSTALACIÓN Y RETIRO DEL TANQUE DE PROPANO LICUADO.....	40
COMBUSTIBLE PARA LA BARBACOA	40
INSTALACIÓN DEL TANQUE DE PROPANO LICUADO	40
RETIRO DEL TANQUE DE PROPANO LICUADO PARA SU LLENADO O REEMPLAZO	40
LLENADO DEL TANQUE DE PROPANO LICUADO	40
PREPARATIVOS PARA USAR LA BARBACOA ..	41
¿QUÉ ES UNA PRUEBA DE DETECCIÓN DE FUGAS?.....	41
PRUEBAS DE DETECCIÓN DE FUGAS DE GAS	41
CHEQUES DE SEGURIDAD ANTES DE USAR LA BARBACOA.....	42
LA SEGURIDAD PRIMERO	42
PLATO RECOLECTOR DESMONTABLE Y BANDEJA DE GOTEO DESECHABLE	42
INSPECCIÓN DE LA MANGUERA	42
ENCENDIDO Y USO DEL QUEMADOR	43
MÉTODOS DE ENCENDIDO DEL QUEMADOR.....	43
ENCENDIDO DEL QUEMADOR – Sistema de encendido electrónico	43
PARA APAGAR EL QUEMADOR	43
ENCENDIDO DEL QUEMADOR – Encendido con un cerillo.....	44
PARA APAGAR EL QUEMADOR.....	44
CONSEJOS PRÁCTICOS PARA ASAR A LA PARRILLA	45
CONSEJOS Y RECOMENDACIONES	45
PRECALENTAMIENTO.....	45
COCCIÓN CUBIERTA	45
SISTEMA DE CAPTACIÓN DE GRASA.....	45
MÉTODOS DE COCCIÓN.....	46
¿MÉTODO DIRECTO O MÉTODO INDIRECTO?.....	46
RESOLUCIÓN DE PROBLEMAS	47
SOLUCIÓN DE PROBLEMAS GENERALES	47
MANTENIMIENTO ANUAL.....	48
CÓMO MANTENER LA BARBACOA WEBER EN EXCELENTE CONDICIONES	48
PATRÓN DE QUEMADO DE LOS QUEMADORES	48
MALLA(S) WEBER CONTRA ARAÑAS/INSECTOS	48
ORIFICIOS DE LOS TUBOS QUEMADORES.....	48
LIMPIEZA O REEMPLAZO DEL TUBO DEL QUEMADOR.....	49
MANTENIMIENTO DE Rutina	51
HERMOSA—POR DENTRO Y POR FUERA.....	51
LIMPIEZA DEL EXTERIOR DE LA BARBACOA	51
LIMPIEZA DEL INTERIOR DE LA BARBACOA.....	51
INSPECCIÓN DE LA MANGUERA	51
OPERACIONES DEL SISTEMA DE ENCENDIDO	52
MANTENIMIENTO DEL SISTEMA DE ENCENDIDO ELECTRÓNICO.....	52
APÉNDICE A LA GUÍA DEL PROPIETARIO DEL ASADOR A GAS	53

¿QUÉ ES EL GAS PROPANO LICUADO?

El gas propano licuado, también denominado LP, gas LP, gas licuado de petróleo, o, simplemente, propano o butano, es el producto inflamable derivado del petróleo utilizado como combustible para la barbacoa. Es un gas a temperaturas y presiones moderadas cuando no está contenido. Pero a una presión moderada dentro de un recipiente, tal como un tanque, el propano es un líquido. Al liberarse la presión del tanque, el líquido se evapora fácilmente y se convierte en gas propano.

- El gas propano tiene un olor similar al gas natural. Usted deberá estar al tanto de este olor.
- El propano es más pesado que el aire. El gas propano proveniente de una fuga puede acumularse en áreas bajas y resistir su dispersión.

CONSEJOS PARA LA MANIPULACIÓN SEGURA DE LOS TANQUES DE GAS PROPANO LICUADO

Hay varias pautas y factores de seguridad que usted necesita tener en cuenta al utilizar gas propano licuado. Siga cuidadosamente estas instrucciones antes de usar la barbacoa de gas WEBER.

- Siempre cierre la válvula del tanque antes de desconectar el regulador.
- No use ningún tanque de propano licuado dañado. Los tanques de propano licuado abollados u oxidados o con la válvula dañada son peligrosos y deberán reemplazarse por uno nuevo inmediatamente.
- Manipule los tanques de propano licuado "vacíos" con el mismo cuidado que cuando manipula uno lleno. Incluso cuando un tanque de propano licuado está vacío de líquido, todavía puede haber presión del gas dentro del tanque.
- El tanque de propano licuado debe instalarse, transportarse y almacenarse en posición parada. Los tanques de propano licuado no deben dejarse caer o manipularse de manera brusca.
- Nunca guarde o transporte el tanque de propano licuado donde las temperaturas puedan alcanzar 125° F (51.7° C) (el tanque estará demasiado caliente para sostenerlo con la mano). Por ejemplo: no deje un tanque de propano licuado dentro de un auto en un día caluroso.
- Cada vez que se realice una reconexión, realice una prueba de detección de fugas donde el regulador se conecta al tanque de propano licuado. Por ejemplo: realice la prueba cada vez que se llena el tanque de propano licuado y se vuelve a instalar.

- Los tanques de propano licuado deben mantenerse fuera del alcance de los niños.

ALMACENAJE Y/O FALTA DE USO

La válvula de gas en el tanque de propano licuado debe mantenerse cerrada mientras la barbacoa de gas WEBER esté sin usarse.

⚠ ADVERTENCIA: Asegúrese de que la válvula del tanque de propano licuado esté cerrada cuando la barbacoa no esté en uso. Ciérrala girándola en la dirección horaria.

- Si va a guardar la barbacoa de gas WEBER en un lugar cerrado, primero desconecte el suministro de gas y almacene el tanque de propano licuado al aire libre en un espacio bien ventilado.

⚠ PRECAUCIÓN: Coloque una tapa antipolvo a la salida de la válvula del tanque cuando este no se encuentre en uso. En la salida de la válvula del tanque, solamente instale el tipo de tapa antipolvo que viene provisto con la válvula del tanque. Otros tipos de tapas o taponés podrían resultar en fugas de propano.

- No almacene un tanque de propano licuado desconectado en una edificación, garaje o cualquier otra área cerrada.
- Si no desconecta el tanque de propano licuado de la barbacoa de gas WEBER, asegúrese de mantener tanto la barbacoa como el tanque al aire libre en un área bien ventilada.

Para las barbacoas que hayan estado almacenadas o hayan estado sin utilizarse durante un tiempo, es importante seguir estas pautas:

- Antes de usarla, se deberá verificar que la barbacoa de gas WEBER no tenga fugas de gas ni obstrucciones en los tubos de los quemadores. (Consulte "REVISIONES PARA DETECTAR FUGAS DE GAS" y "MANTENIMIENTO ANUAL.")
- Asegúrese de que las áreas alrededor del tanque de propano licuado y debajo de la caja de cocción y del plato recolector desmontable no tengan desechos que pudieran obstruir el flujo de aire de combustión o de ventilación.
- También deberá revisarse que la malla contra arañas e insectos no esté obstruida. (Consulte la sección de "MANTENIMIENTO ANUAL.")

CÓDIGOS DE INSTALACIÓN DE LOS EE.UU.

La instalación debe acatar los códigos locales o, en la ausencia de estos, bien sea el código nacional de gases combustibles "National Fuel Gas Code, ANSI Z223.1/NFPA 54", el código para las instalaciones de gas natural y propano "Natural Gas and Propane Installation Code", CSA B149.1; o el código de manejo y almacenaje de propano "Propane Storage and Handling Code, B149.2"; o la norma para vehículos recreativos, ANSI A 119.2/NFPA 1192 y CSA Z240 RV Series, "Recreational Vehicle Code", según proceda.

CÓDIGOS DE INSTALACIÓN MÉXICO

Si hubiese códigos locales que se aplicasen a los asadores de gas portátiles, usted deberá cumplir con la más reciente edición de NOM.

CÓDIGOS DE INSTALACIÓN CANADIENSES

Esta instrucciones, aunque de manera general son aceptables, no necesariamente cumplen con los códigos de instalación canadienses, en particular en lo que respecta a tuberías bajo y sobre tierra. En Canadá la instalación de este aparato debe cumplir con los códigos locales y/o la última edición de la Norma CAN/CSA-B149.2 ("Propane Storage and Handling Code") que rige la manipulación y almacenaje del propano.

REQUISITOS RESPECTO A LOS TANQUES DE PROPANO LICUADO EN LOS EE.UU.

- Asegúrese de que los tanques tengan una certificación del Dept. de Transporte (DOT) (1), y que la fecha de la prueba del mismo (2) no tenga más de cinco años de realizada. Su proveedor de propano licuado puede hacerlo por usted.

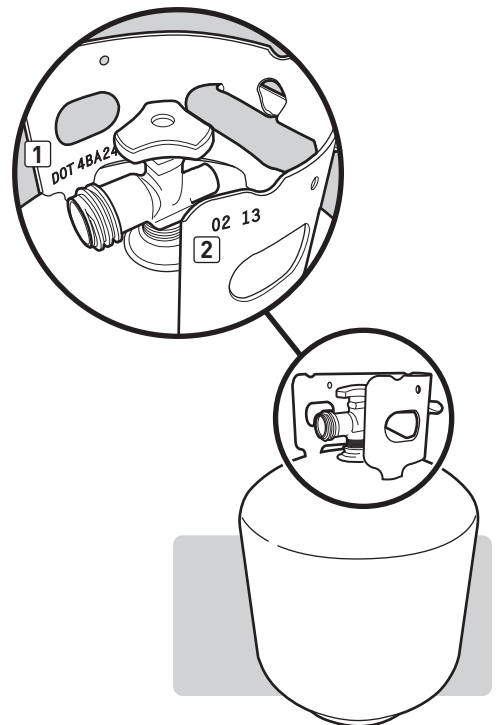
- Todos los sistemas de tanques de suministro de propano licuado deben incluir un collar que proteja la válvula del tanque.
- Los tanques de propano licuado deben ser de 20 lbs, con un tamaño aproximado de 18¼ pulgadas (46.3 cm) de alto y 12¼ pulgadas (31.1 cm) de diámetro.
- Los tanques deben construirse y marcarse de acuerdo con las especificaciones para cilindros (tanques) de gas propano licuado ("Specifications for LP - Gas Cylinders (Tanks)") del Departamento de Transporte (D.O.T.) de los EE.UU. o la norma nacional canadiense CAN/CSA-B339, respecto a cilindros (tanques), esferas y tubos o el transporte de bienes peligrosos ("Cylinders (Tanks), Spheres and Tubes or Transportation of Dangerous Goods"); y la Comisión, según aplique.

⚠ ADVERTENCIA: El tanque de propano licuado usado con la barbacoa debe contar con un "Dispositivo de prevención de sobrellenado" (OPD, por sus siglas en inglés) y una conexión al tanque QCC1 o Tipo 1 (CGA 791). La conexión del tanque debe ser compatible con la conexión de la barbacoa.

REQUISITOS CANADIENSES PARA LOS TANQUES DE PROPANO LICUADO

- El tanque de propano licuado debe estar construido y marcado de acuerdo con las especificaciones para tanques de gas propano licuado, T.C.

NOTA: Su proveedor de venta al por menor puede ayudarle a ubicar el tanque de reemplazo que necesita para su barbacoa.



¿QUÉ ES UN REGULADOR?

La barbacoa de gas WEBER está equipada con un regulador de presión, que es un dispositivo para controlar y mantener uniforme la presión del gas al este salir del tanque de propano licuado.

CONEXIONES DEL REGULADOR

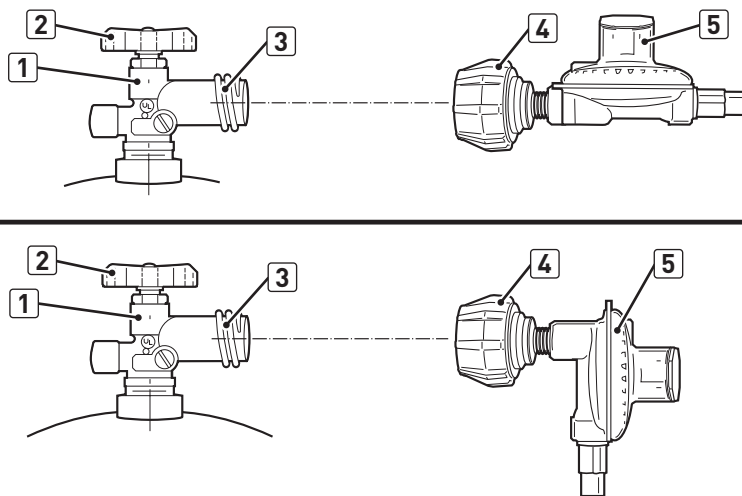
Cada regulador WEBER de gas propano licuado está diseñado para extraer el vapor y está equipado con una conexión al tanque Tipo 1 homologada por UL tal como se describe en la última edición de ANSI Z21.58. EL TANQUE DE GAS PROPANO LICUADO QUE USTED CONECTE AL REGULADOR DEBE ESTAR EQUIPADO CON UNA CONEXIÓN TIPO 1 COMPATIBLE EN LA VÁLVULA DE TANQUE. Esta conexión Tipo 1 le permite hacer una conexión rápida y segura entre su barbacoa de gas WEBER y el tanque de gas propano licuado.

NOTA: El gas no fluirá del tanque a menos que el acoplamiento Tipo 1 esté completamente conectado.

- Debe utilizarse el regulador de presión suministrado con la barbacoa de gas WEBER. Este regulador está ajustado para una presión de 11 pulgadas de columna de agua.
- Los conjuntos de regulador de presión y manguera de reemplazo deben ser los especificados por Weber-Stephen Products LLC.
- Asegúrese de que el regulador esté montado con el pequeño agujero respiradero viendo hacia abajo de manera que no se acumule agua en él. Este respiradero debe mantenerse libre de suciedad, grasa, insectos, etc.
- Las conexiones de gas suministradas con su barbacoa de gas WEBER han sido diseñadas y probadas para que cumplan en un 100% con los requisitos de CSA y ANSI.

⚠ ADVERTENCIA: Los tanques de propano licuado de reemplazo deben tener conexiones compatibles con la del regulador suministrado con esta aparato de gas WEBER.

ACOPLAMIENTO CONECTOR TIPO 1



1	Válvula tipo 1	4	Tuerca con sensibilidad térmica
2	Manubrio	5	Regulador del propano
3	Rosca externa		

COMBUSTIBLE PARA LA BARBACOA

Antes de usar la barbacoa por primera vez, necesitará conseguir un tanque de gas propano licuado. Los tanques nuevos se puede comprar ya llenos; los tanques vacíos pueden ser rellenos o intercambiados. Puede optar por comprar un tanque de gas propano licuado de repuesto para que no se quede sin combustible en medio de la preparación de una comida.

⚠ PELIGRO

NUNCA almacene un tanque de propano licuado de repuesto debajo o cerca de los aparatos de gas WEBER. **NUNCA** llene el tanque más allá de un 80% de su capacidad plena. El no acatar estas advertencias al pie de la letra pudiera resultar en un fuego letal o causar lesiones serias.

INSTALACIÓN DEL TANQUE DE PROPANO LICUADO

El tanque de gas se instala debajo de la barbacoa, sobre el soporte del mismo. WEBER recomienda tanques de propano licuado con una capacidad de 47.6 libras de agua.

Prepare la barbacoa para la instalación del tanque

- Revise que todas las perillas de control de los quemadores estén en la posición (O) apagada. La barbacoa fue despachada con las perillas de control en la posición (O) apagada, pero usted debe comprobarlo para asegurarse de que estén apagadas. Verifíquelo presionándolas y girando en sentido de las agujas del reloj. Si no giran, están cerradas. Si sí giran, siga girándolas en sentido de las agujas del reloj hasta que se detengan; entonces estarán apagadas.

Instale el tanque de propano licuado

- Gire el tanque de propano licuado de manera que la abertura de la válvula esté de cara hacia el lado derecho o la parte posterior de la barbacoa.
- Coloque el tanque de propano licuado en el soporte del tanque (1).
- Fije el tanque al soporte del tanque utilizando la correa del tanque (2).

⚠ ADVERTENCIA: El tanque debe estar fijado al soporte del tanque mientras la barbacoa esté en uso.

⚠ ADVERTENCIA: Asegúrese de que la válvula del tanque de propano licuado esté cerrada. Círrrela girándola en dirección de las agujas del reloj.

Conecte el regulador / manguera al tanque

- Retire el tornillo de la pata derecha del carro. Inserte la abrazadera de retención de la manguera. Vuelva a instalar el tornillo (3).
- ⚠ ADVERTENCIA: La manguera debe sujetarse a la pata del carro usando la abrazadera de retención. El no hacerlo podría causar daños a la manguera ocasionando incendio o explosión, que pueden causar lesiones corporales o la muerte y daños materiales.**
- Retire la cubierta antipolvo de plástico de la válvula del tanque.
 - Enrosque el acoplamiento del regulador a la válvula del tanque, en el sentido de las agujas del reloj o hacia la derecha. **Sólo apriete a mano.**

NOTA: Esta conexión se aprieta en sentido de las agujas del reloj y no permitirá que el gas fluya a menos que la conexión esté apretada.

⚠ ADVERTENCIA: No use una llave para apretar la conexión. Si usa una llave, podría dañar el acoplamiento del regulador y causar una fuga.

RETIRO DEL TANQUE DE PROPANO LICUADO PARA SU LLENADO O REEMPLAZO

Un tanque de propano licuado lleno durará alrededor de 18-20 horas de tiempo de cocción bajo uso normal. No necesita quedarse sin combustible antes de poder rellenar el tanque. De hecho, le recomendamos que llene su tanque de propano licuado antes de que éste se vacíe por completo.

Retiro del tanque de propano licuado

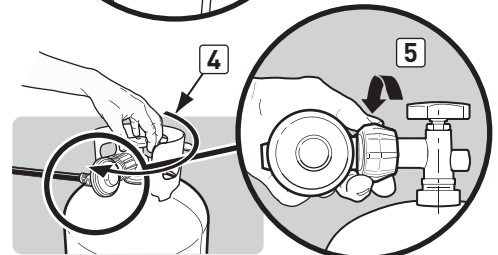
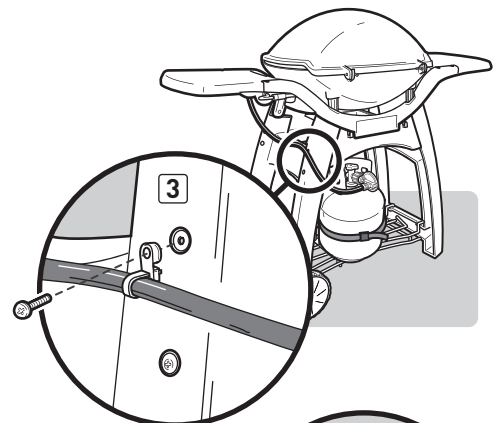
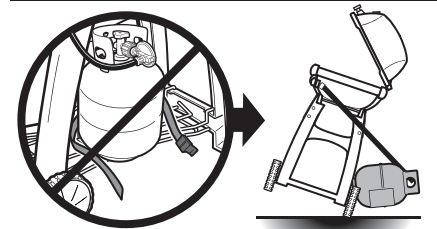
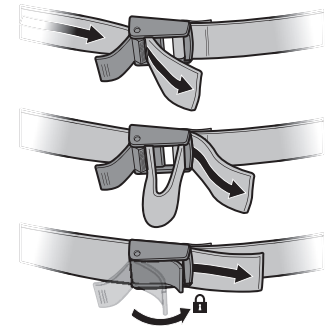
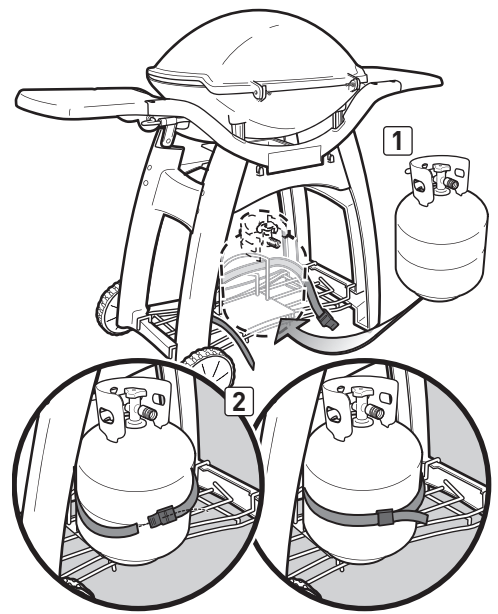
- Cierre la válvula del tanque (gire en sentido de las agujas del reloj) (4).
- Desenrosque el acoplamiento del regulador girándolo, solamente a mano, en sentido contrario a las agujas del reloj (5).
- Desabroche la correa de tanque. Levante el tanque fuera del soporte del mismo.

LLENADO DEL TANQUE DE PROPANO LICUADO

El llenado correcto del tanque se realiza por peso o por volumen, como se describe en la norma NFPA 58. Asegúrese de que su estación de servicio utiliza uno de estos dos métodos, y pídale a la misma que lea las instrucciones para la purga y llenado del tanque de propano licuado antes de intentar llenarlo.

⚠ ADVERTENCIA: Recomendamos llenar su tanque de propano licuado en una distribuidora de gas propano licuado autorizada que tenga un encargado debidamente calificado y que llene el tanque en base a peso. EL LLENADO INCORRECTO ES PELIGROSO.

NOTA: Antes de llenarlo por primera vez, asegúrese de que se haya purgado el aire atrapado del tanque. Los distribuidores de propano licuado están equipados para hacerlo.



¿QUÉ ES UNA PRUEBA DE DETECCIÓN DE FUGAS?

El sistema de combustible del asador cuenta con conexiones y accesorios. Una prueba de detección de fugas es una manera confiable de asegurarse de que no se esté escapando gas de alguna de las conexiones o accesorios.

Aunque todas las conexiones realizadas en fábrica han sido revisadas a fondo para detectar fugas de gas, es importante realizar una prueba de detección de fugas antes de utilizar el asador por primera vez, así como cada vez que conecte o desconecte una conexión y cada vez que realice el mantenimiento de rutina.

⚠ PELIGRO

No utilice una llama abierta para comprobar si existen fugas de gas. Asegúrese de que no haya chispas o llamas abiertas en el área mientras comprueba si existen fugas. Chispas o llamas causarían un fuego o explosión, las cuales pueden causar graves lesiones corporales o la muerte y daños materiales.

⚠ **ADVERTENCIA:** Las conexiones de gas de la barbacoa de gas han sido probadas en la fábrica. Le recomendamos inspeccionar todas las conexiones de gas antes de operar la barbacoa de gas.

⚠ **ADVERTENCIA:** Lleve a cabo estos chequeos de fugas incluso si la barbacoa ha sido ensamblada por el distribuidor o en la tienda.

⚠ **ADVERTENCIA:** Cada vez que conecte o desconecte una conexión de gas, deberá verificar que no haya fugas de gas.

NOTA: Todas las conexiones hechas en la fábrica han sido revisadas a fondo para detectar fugas de gas y los quemadores han sido probados con la llama encendida. Como medida de seguridad, sin embargo, antes de utilizar el barbacoa de gas WEBER usted debe comprobar todas las conexiones para asegurarse de que no tengan fugas. Durante el manejo y transporte puede haberse aflojado o dañado alguna conexión de gas.

PRUEBAS DE DETECCIÓN DE FUGAS DE GAS

Usted necesitará: Una botella de spray o una brocha o un trapo y una solución de agua y jabón. (Puede preparar su propia solución de jabón y agua mezclando 20% de jabón líquido con 80% de agua; o, puede comprar una solución de detección de fugas en la sección de plomería de cualquier ferretería.)

- Cierre el suministro de gas en la fuente.
- Verifique que **TODAS** las perillas de control de los quemadores estén en la posición (○) apagada (1). Las perillas de control de los quemadores son despachadas en la posición (○) apagada, pero usted debe comprobar que efectivamente estén apagadas. Verifíquelos presionando las perillas de control de los quemadores y girándolas en sentido de las agujas del reloj. Si no giran, están apagadas. Si sí giran, siga girándolas en sentido de las agujas del reloj hasta que se detengan; entonces estarán apagadas.

- Abra el suministro de gas en la fuente (2).

⚠ **ADVERTENCIA:** No encienda los quemadores mientras esté verificando la existencia de fugas.

- Para comprobar si hay fugas, moje las conexiones con la solución de jabón y agua, utilizando una botella de spray, una brocha o un trapo. Si se forman burbujas, o si una burbuja crece, es que hay una fuga. Aplique la solución de jabón y agua a las siguientes conexiones:

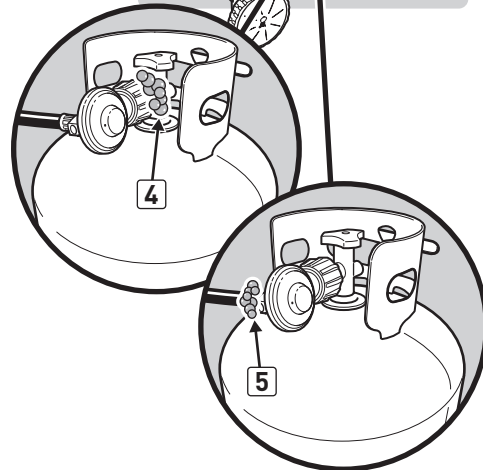
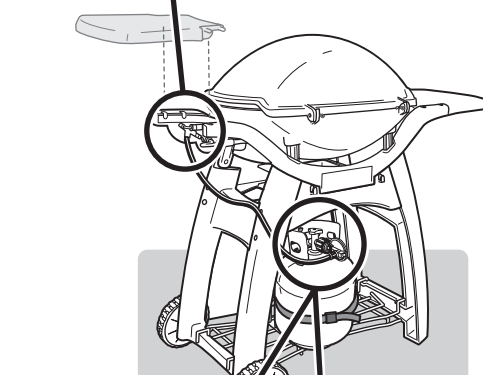
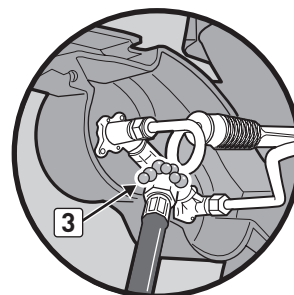
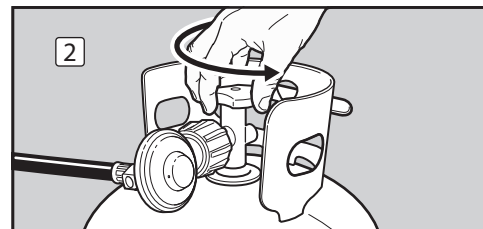
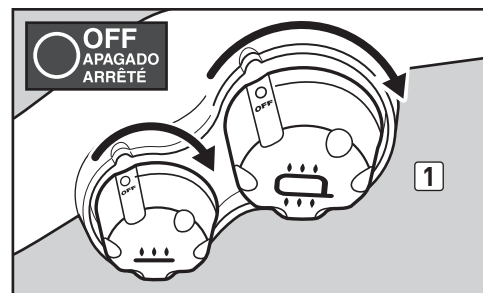
- Conexión del múltiple a la manguera del regulador (3).
- Conexión del regulador al tanque (4).
- Conexión de la manguera del regulador al regulador (5).

⚠ **ADVERTENCIA:** En caso de fuga en las conexiones (3, 4 o 5), cierre el suministro de gas. **NO TRATE DE APRETAR EL REGULADOR CON LA VÁLVULA DEL TANQUE ABIERTA. NO USE EL ASADOR. Contacte con el representante de atención al cliente de su zona usando la información de contacto disponible en nuestro sitio web. Visite www.weber.com.**

- Cuando se haya completado la comprobación de las fugas de gas, cierre el suministro de gas en la fuente y enjuague las conexiones con agua.

NOTA: Dado que algunas soluciones para la detección de fugas, incluyendo el agua y jabón, pueden ser ligeramente corrosivas, todas las conexiones deberán enjuagarse con agua después de realizar las pruebas de detección de fugas.

Ahora ya está listo para usar la barbacoa.



LA SEGURIDAD PRIMERO

Es una buena idea entrar en el hábito de realizar unos cuantos chequeos de seguridad antes de empezar a asar a la parrilla.

La seguridad debe ser considerada cuando se está decidiendo dónde colocar y operar la barbacoa. Asegúrese de leer las siguientes advertencias antes de instalar o de usar la barbacoa.

ADVERTENCIAS:

- ⚠ Utilice esta barbacoa solamente en un área bien ventilada al aire libre. No la utilice en un garaje, edificio, pasadizo techado o en cualquier otra área cerrada.
- ⚠ La barbacoa de gas WEBER no debe utilizarse debajo de un techo combustible.
- ⚠ La barbacoa de gas WEBER no ha sido diseñada para instalarse en o sobre vehículos o botes recreativos.
- ⚠ No utilice la barbacoa a menos de 24 pulgadas (61 cm) de distancia de materiales combustibles. Esto incluye las partes superiores, inferiores, posteriores y laterales de la barbacoa.
- ⚠ Mantenga el área de cocinar libre de vapores y líquidos inflamables tales como gasolina, alcohol, etc. y materiales combustibles.
- ⚠ La caja de cocción entera se calienta al usarse. No la toque.
- ⚠ No mueva la barbacoa de gas WEBER mientras esté en operación o esté caliente.

PLATO RECOLECTOR DESMONTABLE Y BANDEJA DE GOTEO DESECHABLE

La barbacoa fue construida con un sistema de captación de grasa, que conduce la grasa en dirección contraria a los alimentos y hacia un plato recolector desmontable. Para su comodidad, también puede forrar el plato recolector desmontable con una bandeja de goteo desechable WEBER, que le ayudará a mantener el plato recolector desmontable limpio durante más tiempo.

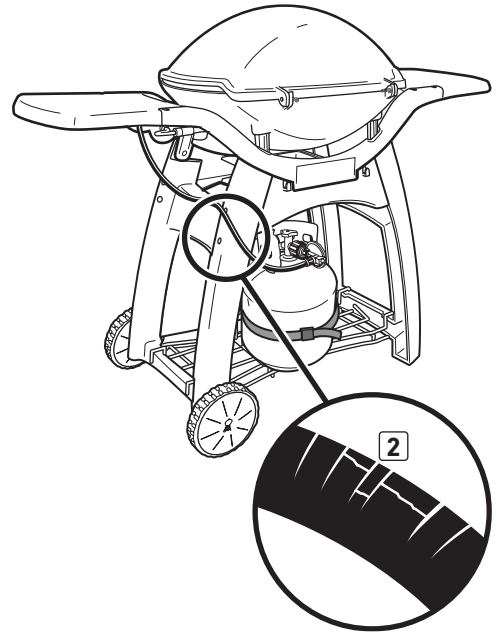
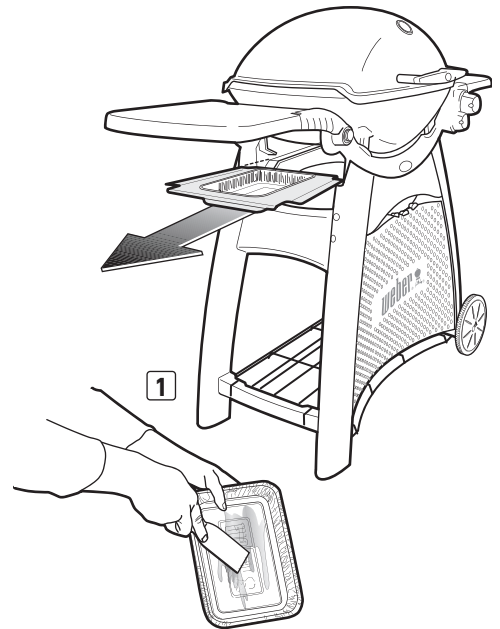
El limpiar el plato recolector desmontable es tan importante como la limpieza de la caja de cocción. Cada vez que vaya a usar la barbacoa, compruebe que no se haya acumulado grasa en el plato recolector desmontable. Elimine el exceso de grasa con una espátula de plástico (1). Lave el plato recolector desmontable con agua jabonosa y enjuáguelo con agua limpia.

- ⚠ **ADVERTENCIA:** Ponga atención al extraer el colector y desechar la grasa si está caliente.
- ⚠ **ADVERTENCIA:** Previo a cada uso, revise si hay acumulación de grasa en el plato recolector desmontable o en la bandeja de goteo desechable. Elimine cualquier exceso de grasa para evitar un incendio. Un incendio de grasa puede causar lesiones corporales graves o daños materiales.
- ⚠ **PRECAUCIÓN:** No forre la caja de cocción, el plato recolector desmontable o la bandeja de goteo desechable con papel de aluminio.

INSPECCIÓN DE LA MANGUERA

Se debe inspeccionar la manguera para detectar cualquier señal de agrietamiento (2).

- ⚠ **ADVERTENCIA:** Cada vez que vaya a usar la barbacoa, inspeccione la manguera y asegúrese de que no tenga muescas, grietas, abrasiones o cortes. Si se encontrase que la manguera estuviese dañada de cualquier manera, no utilice la barbacoa. Reemplácela utilizando solamente una manguera de repuesto autorizada por WEBER. Contacte al Representante de Servicios al Cliente en su área utilizando la información de contacto en nuestro sitio web. Conéctese a www.weber.com.



MÉTODOS DE ENCENDIDO DEL QUEMADOR

Hay dos formas de encender el quemador. La primera es mediante el uso del sistema de encendido incorporado a su asador. La segunda es con un cerillo.

A continuación se indican los pasos para encender el asador con el sistema de encendido. En la página siguiente se encuentran los pasos para encender el asador con un cerillo.

Un resumen de las instrucciones de encendido están fijadas en la pata del carro ubicada debajo de las perillas de control de los quemadores.

ENCENDIDO DEL QUEMADOR Sistema de encendido electrónico

El sistema de encendido electrónico enciende el quemador mediante una chispa proveniente del electrodo del encendedor ubicado dentro de la cámara de encendido Gas Catcher™. Usted genera la energía de la chispa al pulsar el botón del encendedor. Oirá al encendedor chisporrotear.

A) Abra la tapa de la barbacoa (1).

⚠ PELIGRO

El no abrir la tapa mientras se estén encendiendo los quemadores de la barbacoa, o no esperar cinco minutos para que el gas se disipe si la barbacoa no se enciende, puede resultar en una llamarada explosiva, la cual puede causar lesiones corporales graves o la muerte.

B) Asegúrese de que **TODAS** las perillas de control de los quemadores estén apagadas (2). Verifíquelo presionando las perillas de control y girándolas en sentido de las agujas del reloj hasta el tope.

Algunas baterías cuentan con un envoltorio protector de plástico alrededor de ellas. Este plástico debe ser retirado antes de intentar encender el asador. No confunda este plástico con la etiqueta de la batería.

⚠ **ADVERTENCIA:** Las perillas de control de los quemadores deberán estar en la posición (○) apagada antes de abrir la válvula del tanque de propano licuado. Si no están en la posición (○) apagada, cuando abra la válvula del tanque de propano licuado se activará el “control de flujo excesivo de gas” y limitará el flujo de gas proveniente del tanque de propano licuado. Si esto llegase a ocurrir, cierre la válvula del tanque de propano licuado y las perillas de control del quemador. Comience de nuevo.

⚠ PELIGRO

Cuando se activa el “control de flujo excesivo de gas”, una pequeña cantidad de gas sigue fluyendo a los quemadores. Después de cerrar la válvula del tanque de propano licuado y las perillas de control de los quemadores, espere por lo menos cinco minutos para que el gas se disipe antes de tratar de encender la barbacoa. El no hacer esto podría resultar en una llamarada explosiva que puede causar lesiones corporales graves o la muerte.

- C) Para activar el tanque LP, gire lentamente la válvula del tanque en contra de las manecillas del reloj y espere 60 segundos (3).
- D) Encienda el quemador externo presionando la perilla grande de control del quemador y girándola en sentido contrario a las agujas del reloj hasta la posición (⚡) de encendido/fuego alto (4).
- E) Pulse y mantenga presionado el botón del encendedor (5). Oirá al encendedor chisporrotear.
- F) Verifique que el quemador esté encendido viendo hacia abajo a través de las parrillas de cocción. Deberá ver una llama.

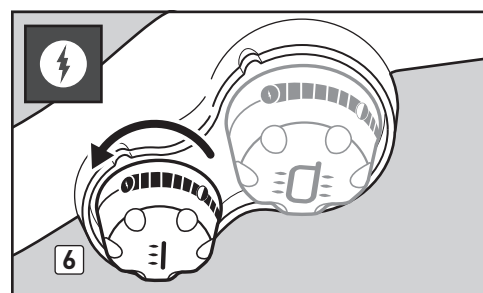
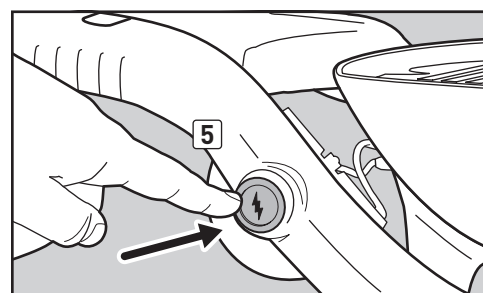
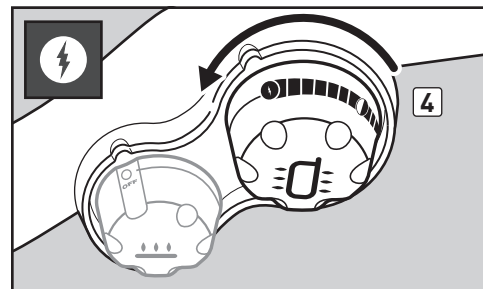
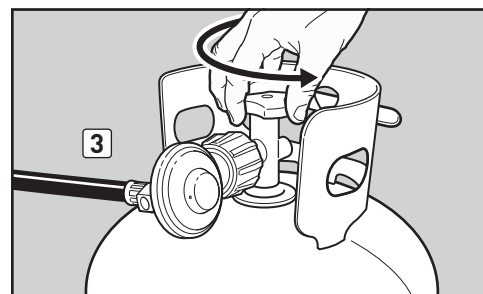
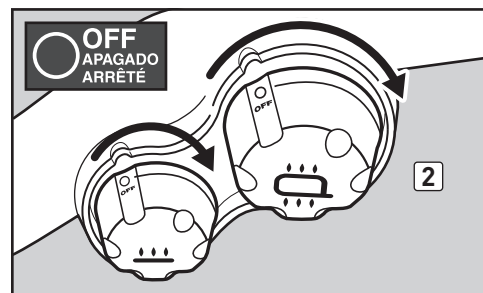
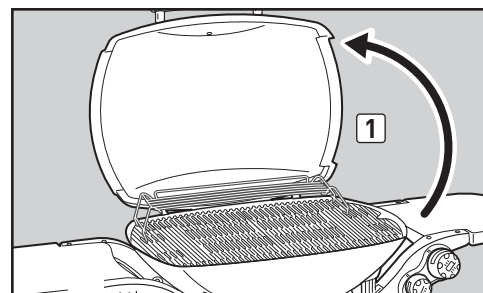
⚠ **ADVERTENCIA:** Mientras enciende la barbacoa o parrilla, nunca se incline sobre la barbacoa abierta.

⚠ **ADVERTENCIA:** Si el quemador no llegase a encenderse en el lapso de cinco segundos, pare, cierre la perilla de control del quemador y espere cinco minutos para permitir que el gas se disipe antes de volver a intentarlo o encender la barbacoa con un cerillo.

G) Una vez se haya encendido el quemador externo, puede proceder a encender el quemador interno. Presione la perilla pequeña de control del quemador y gírela a la posición (⚡) de encendido/fuego alto (6). El quemador interno entonces será encendido por el quemador externo.

PARA APAGAR EL QUEMADOR

Presione cada perilla de control de los quemadores y gírelas en sentido de las agujas del reloj a la posición (○) apagada. Cierre el suministro de gas en la fuente del mismo.



ENCENDIDO Y USO DEL QUEMADOR

ENCENDIDO DEL QUEMADOR

Encendido con un cerillo

A) Abra la tapa de la barbacoa (1).

⚠ PELIGRO

El no abrir la tapa mientras se estén encendiendo los quemadores de la barbacoa, o no esperar cinco minutos para que el gas se disipe si la barbacoa no se enciende, puede resultar en una llamarada explosiva, la cual puede causar lesiones corporales graves o la muerte.

B) Asegúrese de que **TODAS** las perillas de control de los quemadores estén apagadas (2). Verifíquelo presionando las perillas de control y girándolas en sentido de las agujas del reloj hasta el tope.

⚠ ADVERTENCIA: Las perillas de control de los quemadores deberán estar en la posición (O) apagada antes de abrir la válvula del tanque de propano licuado. Si no están en la posición (O) apagada, cuando abra la válvula del tanque de propano licuado se activará el “control de flujo excesivo de gas” y limitará el flujo de gas desde el tanque de propano licuado. Si esto llegase a ocurrir, cierre la válvula del tanque de propano licuado y las perillas de control del quemador. Comience de nuevo.

⚠ PELIGRO

Cuando se activa el “control de flujo excesivo de gas”, una pequeña cantidad de gas sigue fluyendo a los quemadores. Después de cerrar la válvula del tanque de propano licuado y las perillas de control de los quemadores, espere por lo menos cinco minutos para que el gas se disipe antes de tratar de encender la barbacoa. El no hacer esto podría resultar en una llamarada explosiva que puede causar lesiones corporales graves o la muerte.

C) Para activar el tanque LP, gire lentamente la válvula del tanque en contra de las manecillas del reloj y espere 60 segundos (3).

D) Encienda un cerillo y coloque la llama debajo del orificio para las llamas de cerillos (4). Mientras sostiene el cerillo encendido, encienda el quemador externo presionando la perilla grande de control del quemador y girándola en dirección contraria a las agujas del reloj hasta la posición (†) de encendido/fuego alto (5).

E) Verifique que el quemador esté encendido viendo hacia abajo a través de las parrillas de cocción. Deberá ver una llama.

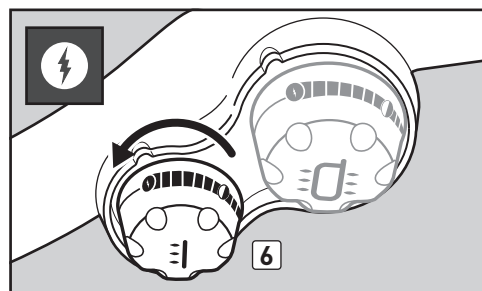
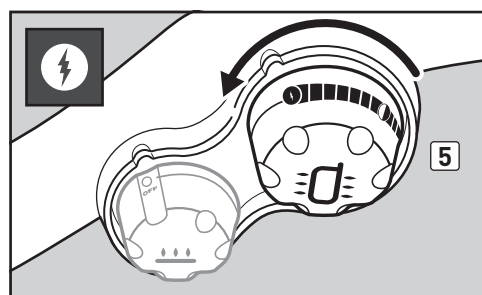
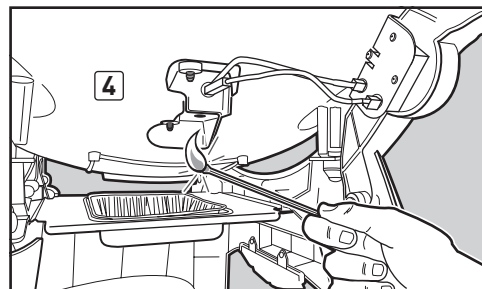
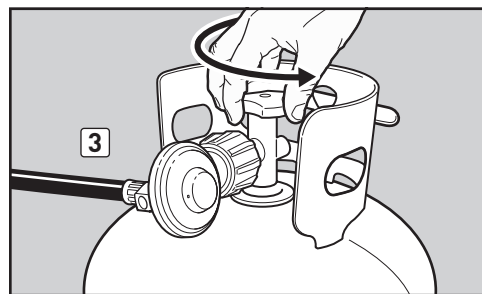
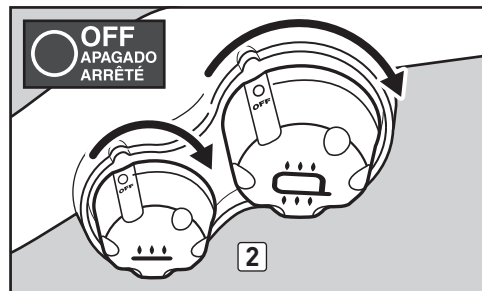
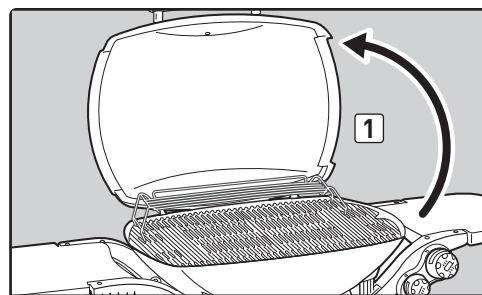
⚠ ADVERTENCIA: Mientras lo enciende, no se incline sobre la barbacoa abierta. Al encender la barbacoa, mantenga su cara y cuerpo alejados por lo menos a una distancia de 12" (30 cm) del orificio de encendido con cerillo.

⚠ ADVERTENCIA: Si el quemador no llegase a encenderse en el lapso de cinco segundos, pare, cierre la perilla de control del quemador y espere cinco minutos para permitir que el gas se disipe antes de volver a intentarlo o encender la barbacoa con un cerillo.

F) Una vez se haya encendido el quemador externo, puede proceder a encender el quemador interno. Presione la perilla pequeña de control del quemador y gírela a la posición (†) de encendido/fuego alto (6). El quemador interno entonces será encendido por el quemador externo.

PARA APAGAR EL QUEMADOR

Presione cada perilla de control del quemador y gire en sentido de las agujas del reloj a la posición (O) de apagado. Cierre el suministro de gas en la fuente del mismo.



CONSEJOS Y RECOMENDACIONES

- Siempre precaliente el asador antes de cocinar en la misma. Ajuste el/los quemador(es) a fuego alto y cierre la tapa; precaliente durante 10 a 15 minutos.
- La temperatura del asador de gas puede alcanzar temperaturas más calientes de lo normal durante los primeros usos.
- Los tiempos de las recetas de asado a la parrilla se basan en una temperatura exterior de 70°F (21°C) y con escaso o ningún viento. Permita un mayor tiempo de cocción en días fríos o de viento, o a mayores altitudes. Permita menos tiempo de cocción en climas extremadamente calurosos.
- Las condiciones de asado a la parrilla pueden requerir el ajuste de las perillas de control de los quemadores para alcanzar las temperaturas de cocción correctas.
- Para alimentos siempre perfectamente asados, dore las carnes y cocine con la tapa cerrada.
- El aglomerar alimentos sobre una parrilla de cocción significa que se requerirá más tiempo para cocinar los alimentos.
- Recorte el exceso de grasa de los bistecs, chuletas y asados, dejando apenas ¼ de pulgada (6.4 mm) de grasa. Menos grasa facilita la limpieza, y es una garantía casi absoluta contra las indeseadas llamaradas.
- Por lo general, las piezas de carne más grandes requerirán mayor tiempo de cocción por libra (kilo) que las piezas más chicas.
- Algunos alimentos, tales como un guiso o un filete delgado de pescado, requerirán de un recipiente para asarlos. Las bandejas desechables de aluminio son muy convenientes, pero puede usarse cualquier olla de metal con asas resistentes al calor.
- Los alimentos asados dentro de recipientes, tales como judías en salsa de tomate, tomarán más tiempo si se cocinan en una cacerola profunda que en una bandeja de hornear poco profunda.
- Use tenacillas en vez de un tenedor para dar la vuelta y manipular las carnes a fin de evitar perder los jugos naturales. Use dos espátulas para manipular un pescado grande entero.
- Asegúrese siempre de que la caja de cocción y el plato recolector de grasa estén limpios y libres de desechos.
- No forre la caja de cocción con papel de aluminio. Ello pudiera prevenir que la grasa fluya al plato recolector de grasa.
- Si llegase a presentarse una llamarada indeseada, apague el/los quemador(es) y mueva los alimentos a otra zona de la parrilla de cocción. Cualquier llama se apagará rápidamente. Una vez que las llamas se apaguen, vuelva a encender la parrilla. **JAMÁS USE AGUA PARA EXTINGUIR LAS LLAMAS EN UN ASADOR DE GAS.**
- El usar un temporizador le ayudará a alertarle cuando “bien cocido” esté a punto de convertirse en “sobre cocido.”
- Una leve capa de aceite ayudará a dorar la comida de manera pareja y prevendrá que ésta se pegue a la parrilla de cocción. Siempre aplique el aceite con un cepillo o como spray, sobre la comida, no directamente sobre la parrilla de cocción.
- Cuando se use un adobo, salsa, o glaseado con un alto contenido de azúcar u otros ingredientes que se queman con facilidad, aplíquelos a la comida con un cepillo solamente durante los últimos 5 a 10 minutos del asado.

PRECALENTAMIENTO

Es importante precalentar el asador antes de asar. Para precalentar: Encienda el asador de acuerdo con las instrucciones en esta Guía del Propietario; a continuación, gire el/los quemador(es) a la posición (4) de encendido/ fuego alto, cierre la tapa y precaliente el asador. Esto tomará unos 10 a 15 minutos según tales condiciones como la temperatura del aire y el viento. Tras precalentar, puede ajustar el/los quemador(es) según su preferencia.

⚠ ADVERTENCIA: Si llegasen a apagarse el o los quemadores mientras el asador esté en operación, cierre la perilla/todas las perillas de control del/los quemador(es). Abra la tapa y espere cinco minutos antes de tratar de volver a encender el asador, siguiendo las instrucciones de encendido.

COCCIÓN CUBIERTA

Todo asado a la parrilla deberá realizarse con la tapa cerrada para proporcionar un calor uniforme con una circulación pareja. Con la tapa cerrada, el asador de gas cocinará de manera muy parecida a un horno de convección. El termómetro en la tapa, una característica de algunos de nuestros asadores, indica la temperatura de cocción en el interior del asador. Todo el precalentamiento y asado a la parrilla se realiza con la tapa cerrada. Nada de miraditas - se pierde calor cada vez que usted abre la tapa.

SISTEMA DE CAPTACIÓN DE GRASA

Unas características del exclusivo diseño de la parrilla de cocción son los rieles de hierro fundido instalados a un ángulo que desvían la grasa en dirección contraria al/a los tubo(s) del/de los quemador(es), y de esa manera previenen llamaradas que pueden carbonizar los alimentos. La grasa remanente fluye a una bandeja colectora desmontable que se desliza hacia afuera para facilitar su limpieza.











Para más sugerencias y recetas de asados, visite www.weber.com.

MÉTODOS DE COCCIÓN

¿MÉTODO DIRECTO O MÉTODO INDIRECTO?

La cosa más importante que hay que saber acerca de asar es cual método de cocción usar para un alimento específico, el directo o el indirecto. La diferencia es sencilla. Con el método directo, la comida se cocina directamente sobre el fuego. Con el método indirecto, el fuego se encuentra en cualquiera de los dos lados de la comida. El método indirecto es similar al asado al horno, pero con el beneficio adicional de esa textura, sazón, y apariencia de la comida a la parrilla que no se puede obtener en un horno. El usar el método correcto es la ruta más corta para obtener resultados fabulosos; y la mejor manera de garantizar la seguridad de tener un alimento debidamente cocido.

Con cada método, puede ajustar los quemadores como lo desee. Los ajustes de control - ALTO, MEDIO, BAJO, o APAGADO — se describen en la tabla de la derecha. Por ejemplo, para dorar bistecs, coloque ambos quemadores en "HI" (fuego alto), y luego para completar la cocción, ajuste ambos quemadores a la posición "LOW" (fuego bajo). Para grandes inspiraciones para asar a la parrilla, visite www.weber.com/recipes.

MÉTODO DE COCCIÓN Y USOS	AJUSTE DEL CONTROL DEL QUEMADOR INTERNO	AJUSTE DEL CONTROL DEL QUEMADOR EXTERNO
PRECALENTAR	 ALTO	 ALTO
BAJO DIRECTO Piezas de pollo, salchicha	 BAJO	 BAJO
DORADO Bistec y piezas que necesitan dorarse <i>Comience dorando los bistecs gruesos sobre fuego alto directo...</i> <i>...termine cocinándolos sobre fuego bajo directo</i>	 ALTO	 ALTO
	 BAJO	 BAJO
INDIRECTO Pollo pequeño entero	 APAGADO	 MEDIO

RESOLUCIÓN DE PROBLEMAS

SOLUCIÓN DE PROBLEMAS GENERALES

PROBLEMAS	SOLUCIONES
<p>Los quemadores no se encienden.</p> <p>Los quemadores presentan una llama pequeña y parpadeante cuando las perillas de control están en la posición (4) de fuego alto.</p> <p>La temperatura de la barbacoa sólo alcanza 250° a 300° F (121° a 149° C) cuando las perillas de control están en la posición (4) de fuego alto.</p>	<p>Puede haberse activado el dispositivo de "control de flujo excesivo de gas," el cual es parte de la conexión de la barbacoa al tanque. Para restablecer el dispositivo de "control de flujo excesivo de gas," consulte "ENCENDIDO DEL QUEMADOR."</p> <p>⚠ PELIGRO: Cuando se activa el dispositivo de "control de flujo excesivo de gas," una pequeña cantidad de gas sigue fluyendo a los quemadores. Después de cerrar la válvula del tanque de propano licuado y las perillas de control de los quemadores, espere por lo menos cinco minutos para que el gas se disipe antes de tratar de encender la barbacoa. El no hacerlo podría resultar en una llamarada explosiva que puede causar lesiones corporales graves o la muerte.</p>
<p>El quemador no se enciende al pulsar el botón del encendedor.</p>	<p>Asegúrese de que el gas fluye a los quemadores intentando encenderlos con un cerillo. Consulte la sección "ENCENDIDO DEL QUEMADOR - Encendido con un cerillo." Si el encendido con un cerillo es exitoso, el problema está en el sistema de encendido. Consulte la sección "MANTENIMIENTO DEL SISTEMA ELECTRÓNICO DE ENCENDIDO."</p> <p>Asegúrese de que los cables estén debidamente insertados dentro de los terminales en el ensamble del electrodo de encendido. Compruebe que los cables estén conectados a los terminales en el módulo del encendedor electrónico. Consulte la sección "MANTENIMIENTO DEL SISTEMA ELECTRÓNICO DE ENCENDIDO."</p> <p>Si se instala una batería nueva, confirme que se ha retirado la envoltura de plástico de la batería. Verifique que la batería esté en buen estado e instalada correctamente. Consulte "MANTENIMIENTO DEL SISTEMA DE ENCENDIDO ELECTRÓNICO."</p>
<p>Si huele a gas y/o se escucha un ligero siseo, el sello de caucho interno de la válvula del tanque de LP podría estar dañado.</p>	<p>Extinga las llamas encendidas. Cierre el suministro de gas al aparato (asador). Revise si el sello de caucho presenta daños. Si está dañado, devuelva el tanque al punto de compra.</p>
<p>Si huele a gas y/o se escucha un ligero siseo, la conexión entre el regulador y el tanque de gas podría haber quedado incompleta.</p>	<p>Extinga las llamas encendidas. Cierre el suministro de gas al aparato (asador). Consulte las secciones INSTALACIÓN Y RETIRADA DE UN TANQUE DE LP y PREPARATIVOS PARA USAR EL ASADOR del manual del propietario.</p>
<p>El quemador lateral no se enciende, o la llama está baja cuando la perilla de control del quemador está en la posición (4) de fuego alto.</p>	<p>El nivel de combustible de propano licuado en el tanque podría estar bajo o el tanque está vacío. Rellene el tanque de propano licuado.</p> <p>La manguera de combustible puede estar doblada o torcida. Enderece la manguera de combustible.</p>
<p>El quemador produce llamas con un patrón errático.</p> <p>La llama está baja cuando el quemador está en la posición (4) de fuego alto.</p> <p>Las llamas no corren a lo largo de todo el tubo del quemador.</p>	<p>Limpie los orificios de los quemadores que corren a todo lo largo del tubo del quemador. Consulte la sección de "MANTENIMIENTO ANUAL."</p>
<p>Los quemadores queman con una llama amarilla o anaranjada, conjuntamente con un olor a gas.</p>	<p>Revise que no haya obstrucciones en la malla contra arañas e insectos. (Taponamiento de orificios.) Limpie las mallas contra arañas e insectos. Consulte la sección de "MANTENIMIENTO ANUAL."</p>
<p>Se producen llamaradas.</p> <p>⚠ PRECAUCIÓN: No forre la caja de cocción con papel de aluminio.</p>	<p>La barbacoa debe precalentarse con todos los quemadores a fuego alto durante 10 a 15 minutos.</p> <p>Limpie las parrillas de cocción a fondo para eliminar la grasa. Consulte la sección de "LIMPIEZA DEL INTERIOR DE LA BARBACOA."</p> <p>La caja de cocción puede estar sucia y no permite que la grasa fluya al plato recolector desmontable. Limpie la caja de cocción. Consulte la sección de "LIMPIEZA DEL INTERIOR DE LA BARBACOA."</p>
<p>La parte interna de la tapa pareciera estar "pelándose." (Se parece al desprendimiento de pintura.)</p>	<p>El interior de la tapa es de aluminio fundido. No está pintada. No puede "pelarse." Lo que está viendo es grasa asada que se ha convertido en carbón y se está descascarando. ESTO NO ES UN DEFECTO. Limpie a fondo. Consulte la sección de "LIMPIEZA DEL INTERIOR DE LA BARBACOA."</p>

Si los problemas no pueden corregirse usando cualquiera de estos métodos, por favor contacte al Representante de Atención al Cliente en su área usando la información de contacto en nuestro sitio web. Conéctese a www.weber.com.

CÓMO MANTENER EL ASADOR WEBER EN EXCELENTES CONDICIONES

⚠ PELIGRO

El no corregir cualquier problema descrito en esta página podría resultar en un incendio, que podría causar lesiones corporales serias o la muerte y daños materiales.

Para mantener el asador de gas WEBER funcionando de forma segura y eficiente como el primer día, le recomendamos que inspeccione y limpie las mallas contra arañas y demás insectos, los tubos de los quemadores y los orificios de la válvulas al menos una vez al año. A continuación se muestra información importante acerca de estas dos áreas del asador que deben someterse a mantenimiento anual.

Si usted observa un patrón incorrecto de la llama o un orificio de quemador obstruido, proceda a las instrucciones de "LIMPIEZA O REEMPLAZO DE LOS TUBOS DE LOS QUEMADORES" en la página siguiente.

PATRÓN DE QUEMADO DE LOS QUEMADORES

El o los tubos de los quemadores del asador de gas WEBER fue/fueron ajustados en la fábrica para obtener la mezcla correcta de aire y gas. El patrón correcto de la llama se muestra en la ilustración y se describe a continuación:

- Tubo(s) del o de los quemador(es) (1)
- Las puntas ocasionalmente titilan con un color amarillo (2)
- Azul claro (3)
- Azul oscuro (4)

Revise el patrón de la llama del quemador. Si las llamas no se corresponden con la descripción anterior, ello podría ser una indicación de que la(s) malla(s) contra arañas y demás insectos se ha(n) ensuciado o obstruido.

MALLA(S) WEBER CONTRA ARAÑAS/ INSECTOS

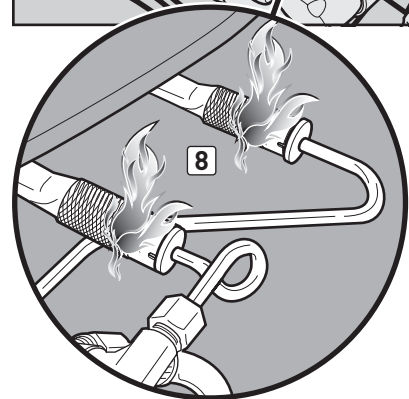
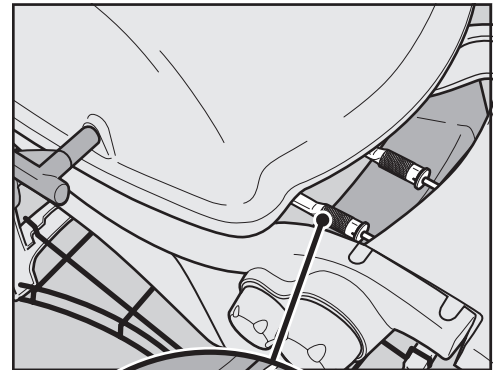
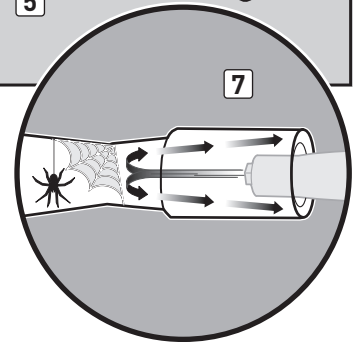
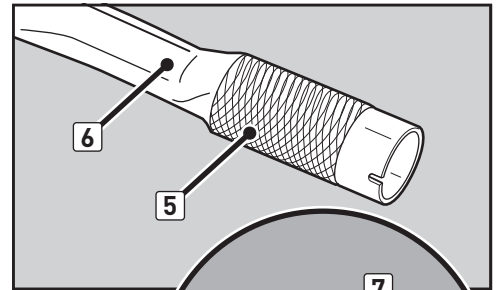
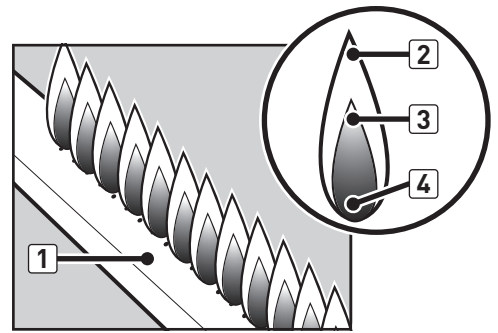
La(s) entrada(s) de aire de combustión del o de los tubo(s) de los quemadores (5) está(n) equipadaa(s) con malla(s) de acero inoxidable para ayudar a evitar que las arañas y otros insectos tejan telarañas y construyan nidos dentro de la sección del venturi (6) del o de los tubo(s) de los quemadores. Estos nidos pueden obstruir el flujo normal de gas, y pueden causar que el gas fluya de vuelta hacia afuera por la(s) abertura(s) del aire de combustión (7). Síntomas de este tipo de obstrucción incluyen el olor a gas en conjunción con llamas del quemador que tienen un semblante perezoso de color amarillo. Esto podría resultar en un incendio (8) en y alrededor de la(s) válvula(s) de gas, causando serios daños a el asador.

NOTA: Si la malla contra arañas y demás insectos se dañase o no pudiese limpiarse, sírvase ponerse en contacto con el Representante de Servicios al Cliente de su zona, cuya datos de contacto encontrará en nuestro sitio en la Internet. Conéctese a www.weber.com.

ORIFICIOS DE LOS TUBOS QUEMADORES

Con el tiempo, por el uso repetido del asador, los orificios de los tubos de los quemadores se ensucian. Los orificios obstruidos y sucios pueden restringir el flujo pleno del gas. Las siguientes son maneras de determinar si los orificios de los tubos de los quemadores están sucios o bloqueados.

- El asador no alcanza la temperatura deseada
- El asador se calienta de manera irregular
- Uno o más de los quemadores no se encienden



LIMPIEZA O REEMPLAZO DEL TUBO DEL QUEMADOR

Confirme que la barbacoa esté apagada y fría

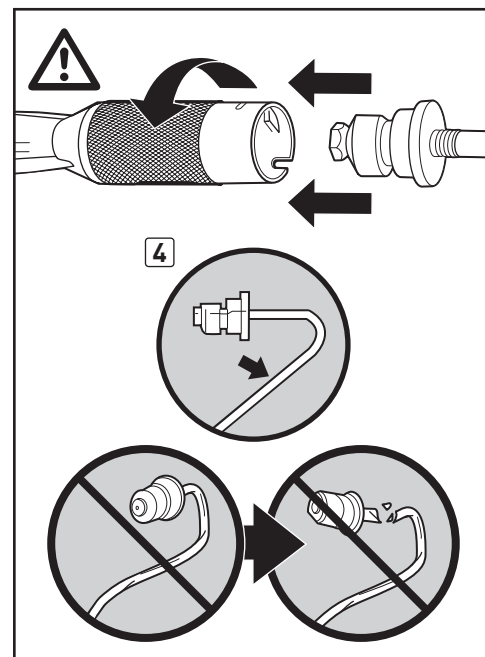
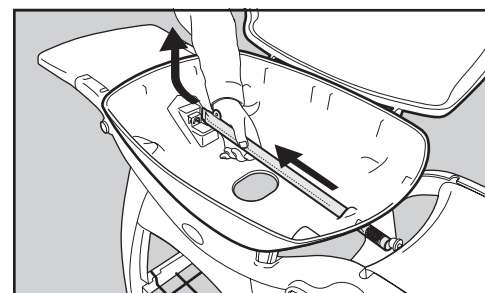
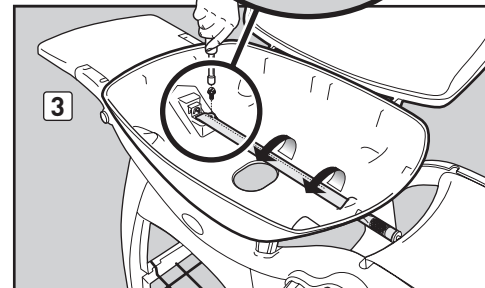
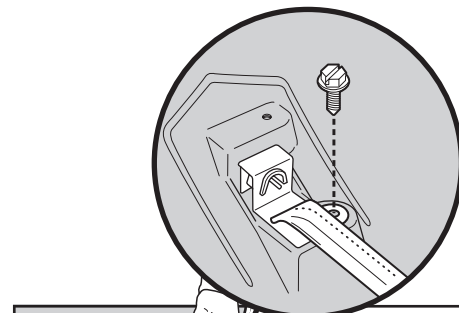
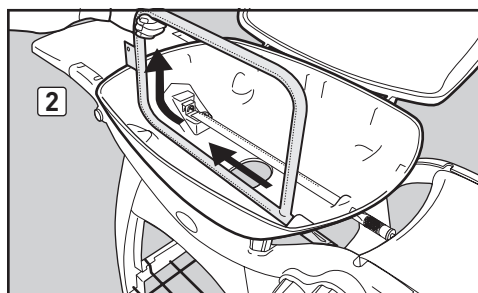
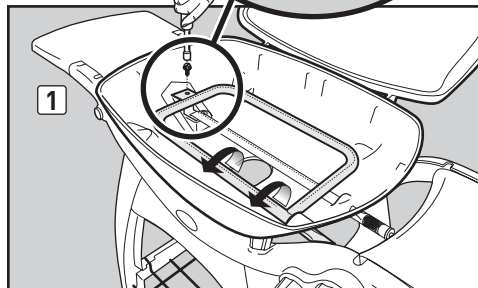
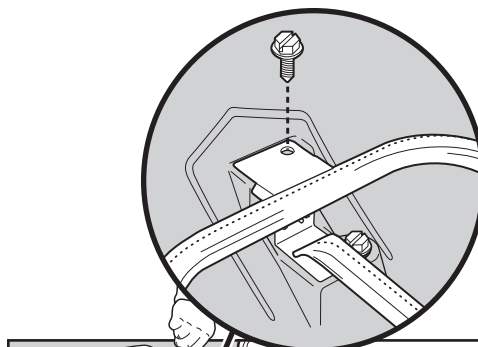
- A) Cierre el suministro de gas en la fuente y desconecte la conexión de gas.
- B) Revise que todas las perillas de control de los quemadores estén en la posición (O) apagada. Verifíquelo presionando las perillas de control y girándolas en sentido de las agujas del reloj hasta el tope. Si no giran, ya están cerradas. Si sí giran, siga girándolas en sentido de las agujas del reloj hasta que se detengan; entonces estarán apagadas.
- C) Abra la tapa y retire las parrillas de cocción.

Retire los tubos de los quemadores

Usted necesitará: Un destornillador hembra de 3/8 pulg.

- A) Retire el tornillo que sujeta el tubo del quemador externo a la caja de cocción (1).
- B) Gire el tubo del quemador externo 90°. Deslice y levante el tubo del quemador en dirección contraria al orificio de la válvula y retírelo de la caja de cocción. (2)
- C) Repita este procedimiento para el tubo del quemador interior (3).

⚠ PRECAUCIÓN: El retiro o reinstalación de los tubos de los quemadores debe hacerse con cuidado. No fuerce ni doble las líneas de gas que conectan las válvulas de control a los tubos de los quemadores (4).



MANTENIMIENTO ANUAL

Limpie los tubos del quemador

Usted necesitará: Una linterna, un alambre (un gancho de ropa enderezado), un cepillo de cerdas de acero inoxidable adecuado y un cepillo de cerdas suaves (cepillo de dientes).

- A) Revise el interior del tubo del quemador con una linterna (5).
- B) Limpie con el alambre cualquier suciedad o obstrucción en el interior de los tubos de los quemadores (6).
- C) Revise las mallas contra arañas e insectos en los extremos de los tubos de los quemadores y límpielas con el cepillo de cerdas suaves (7).

⚠ PRECAUCIÓN: No limpie las mallas contra arañas e insectos con herramientas duras o afiladas. No saque las mallas contra arañas e insectos ni agrande los orificios de las mismas.

- D) Utilice el cepillo de cerdas de acero para limpiar la parte exterior de los tubos de los quemadores. Esto se hace para asegurarse de que todas las aberturas de los quemadores que corren a lo largo de la longitud de los tubos de los quemadores estén completamente abiertas (8).

⚠ PRECAUCIÓN: Al limpiar, no agrande las aberturas del quemador.

Vuelva a instalar los tubos de los quemadores

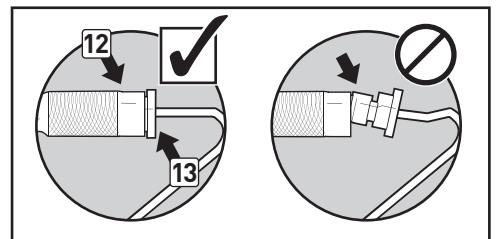
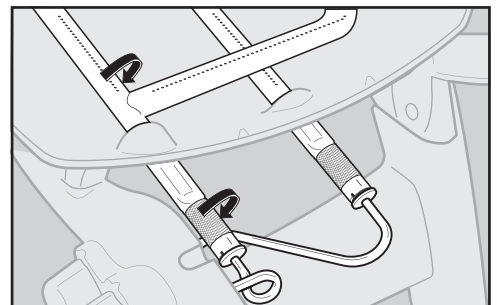
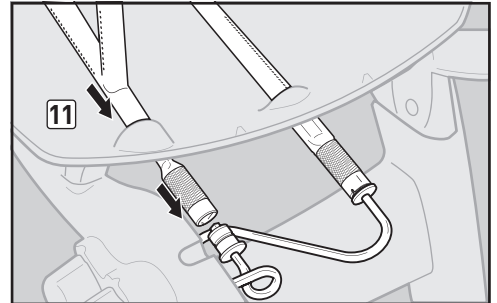
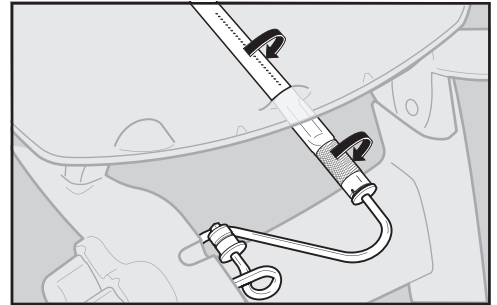
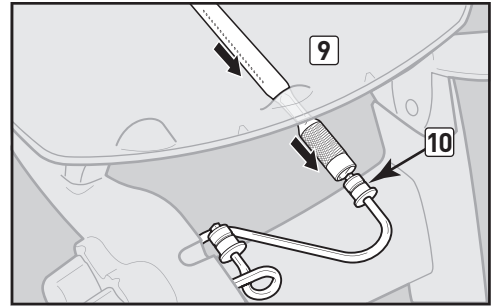
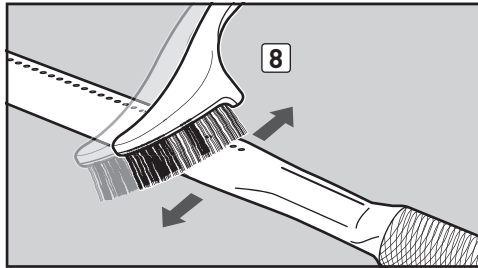
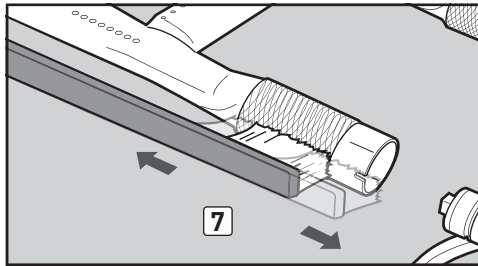
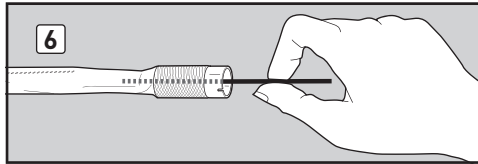
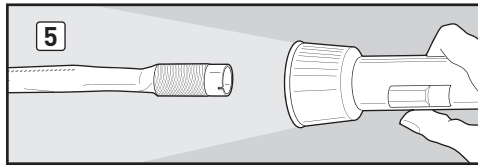
Usted necesitará: Un destornillador hembra de 3/8 pulg.

- A) Deslice con cuidado el tubo del quemador interno de vuelta en el orificio del lado derecho de la caja de cocción (9), de manera que la abertura del tubo del quemador quede alineada con el orificio de la válvula (10).
- B) Vuelva a colocar el tornillo que sujeta el tubo del quemador interno a la caja de cocción.
- C) Repita este procedimiento para el tubo del quemador exterior (11).

⚠ PRECAUCIÓN: Las aberturas de los tubos de los quemadores (12) deberán posicionarse correctamente sobre los orificios de las válvulas (13).

⚠ ADVERTENCIA: Cada vez que conecte o desconecte una conexión de gas, deberá verificar que no haya fugas de gas. Consulte "REVISIONES PARA DETECTAR FUGAS DE GAS."

- D) Reemplace los componentes de la caja de cocción (no ilustrados).



HERMOSA—POR DENTRO Y POR FUERA

Los propietarios de los asadores WEBER están muy orgullosos de sus asadores. Haga alarde de su orgullo y alegría. Mantenga su asador limpio y hermoso por dentro y por fuera siguiendo estos pasos de mantenimiento de rutina.

LIMPIEZA DEL EXTERIOR DE LA BARBACOA

Para mantener el exterior de su barbacoa en el mejor aspecto posible, siga las siguientes pautas para limpiar la misma de manera segura.

⚠ ADVERTENCIA: Apague la barbacoa de gas WEBER y espere a que se enfríe antes de limpiarla.

Superficies pintadas, esmaltadas y de plástico

Use una solución de agua jabonosa tibia para limpiar las superficies externas; luego enjuague con agua.

IMPORTANTE: No utilice limpiadores que contengan ácido, destilado de petróleo o xileno. Sobre la superficie de la barbacoa o del carro, no utilice limpiadores de horno, limpiadores abrasivos (limpiadores de cocinas), limpiadores que contengan productos cítricos, o almohadillas de limpieza abrasivas.

Las mesas plegables no deberán usarse como planchas de corte.

LIMPIEZA DEL INTERIOR DE LA BARBACOA

Para mantener la barbacoa funcionando de forma segura y eficiente, es importante eliminar la suciedad y el exceso de grasa que pueda haberse acumulado en el interior de la misma. Siga las siguientes pautas para la limpieza segura.

Dentro de la tapa

La grasa acumulada escamada se asemeja a las escamas de pintura. Limpie el interior de la tapa con una toalla de papel para evitar la acumulación de grasa. Lave el interior de la tapa con agua tibia y jabón; luego enjuague con agua.

Componentes de la caja de cocción y del tubo del quemador

Usted necesitará: Un cepillo de cerdas de acero inoxidable, y una espátula de plástico rígido.

A) Raspe y cepille las parrillas de cocción con la espátula y el cepillo. Retire las parrillas de cocción y colóquelas al lado.

⚠ PRECAUCIÓN: Los cepillos de parrilla deben revisarse con regularidad para comprobar que no tengan cerdas sueltas o un excesivo desgaste. Reemplace el cepillo en caso de encontrar cerdas sueltas en las parrillas de cocción o en el cepillo. WEBER sugiere comprar un cepillo de parrilla de acero inoxidable nuevo al principio de cada primavera.

⚠ PRECAUCIÓN: No limpie las parrillas de cocción en un horno autolimpiante.

- B) Quite cualquier resto sobre los tubos del quemador. No agrande los orificios del quemador (aberturas) que corren a lo largo de la longitud del tubo del quemador (1).
- C) Cuando termine la limpieza, vuelva a colocar en su lugar las parrillas de cocción.

Caja de cocción

Lave el interior de la caja de cocción con agua tibia y jabón; luego enjuague con agua.

Plato recolector desmontable y bandeja de goteo desechable

La barbacoa fue construida con un sistema de captación de grasa, que conduce la grasa en dirección contraria a los alimentos y hacia un plato recolector desmontable. Para su comodidad, también puede forrar el plato recolector desmontable con una bandeja de goteo desechable WEBER, que le ayudará a mantener el plato recolector desmontable limpio durante más tiempo.

El limpiar el plato recolector desmontable es tan importante como la limpieza de la caja de cocción. Cada vez que vaya a usar la barbacoa, compruebe que no se haya acumulado grasa en el plato recolector desmontable. Elimine el exceso de grasa con una espátula de plástico (2). Lave el plato recolector desmontable con agua jabonosa y enjuáguelo con agua limpia.

⚠ ADVERTENCIA: Ponga atención al extraer el colector y desechar la grasa si está caliente.

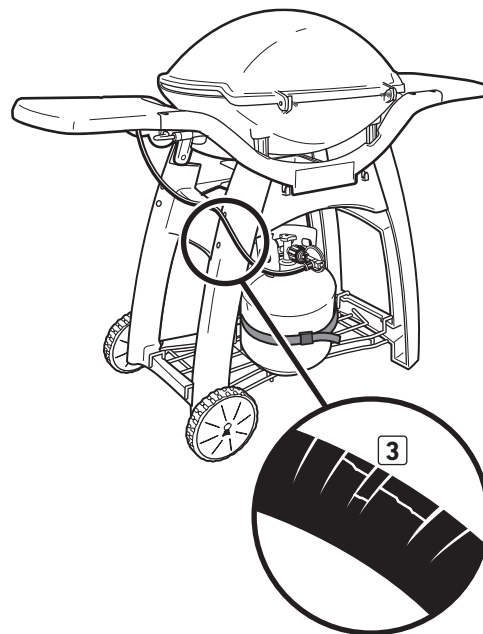
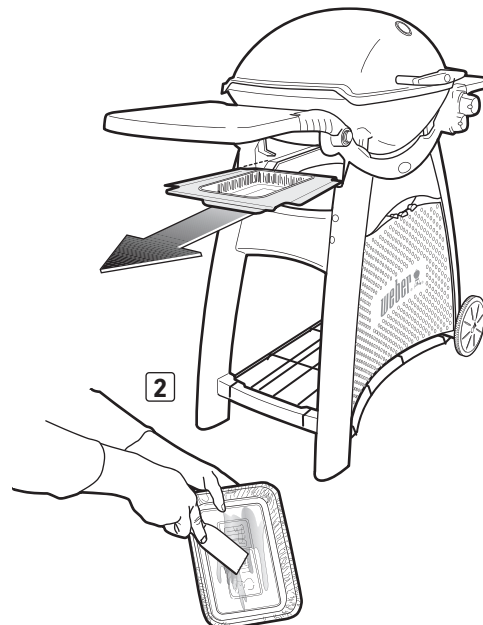
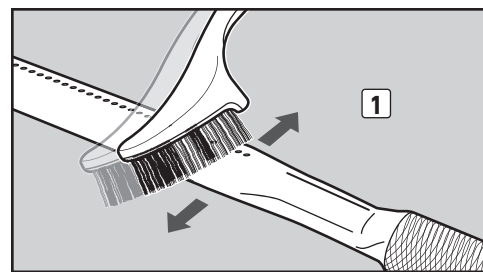
⚠ ADVERTENCIA: Previo a cada uso, revise si hay acumulación de grasa en el plato recolector desmontable o en la bandeja de goteo desechable. Elimine cualquier exceso de grasa para evitar un incendio. Un incendio de grasa puede causar lesiones corporales graves o daños materiales.

⚠ PRECAUCIÓN: No forre la caja de cocción, el plato recolector desmontable o la bandeja de goteo desechable con papel de aluminio.

INSPECCIÓN DE LA MANGUERA

Se debe inspeccionar la manguera para detectar cualquier señal de agrietamiento (3).

⚠ ADVERTENCIA: Cada vez que vaya a usar la barbacoa, inspeccione la manguera y asegúrese de que no tenga muescas, grietas, abrasiones o cortes. Si se encontrase que la manguera estuviese dañada de cualquier manera, no utilice la barbacoa. Reemplácela utilizando solamente una manguera de repuesto autorizada por WEBER. Contacte al Representante de Servicios al Cliente en su área utilizando la información de contacto en nuestro sitio web. Conéctese a www.weber.com.



Para obtener las bandejas de goteo desechables y las parrillas de cocción de reemplazo, póngase en contacto con el distribuidor local en su zona o visite www.weber.com. Si necesita más ayuda, póngase en contacto con su Representante de Servicio al Cliente.

OPERACIONES DEL SISTEMA DE ENCENDIDO

El encendedor suministra una chispa para el conjunto del electrodo de encendido. Ya sea que usted está realizando un mantenimiento de rutina o llevando a cabo un chequeo para la resolución de un problema en el sistema de encendido, lea lo siguiente para mantener el sistema de encendido funcionando correctamente.

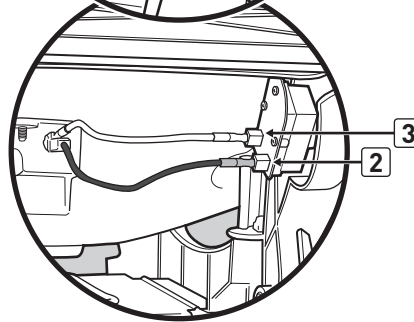
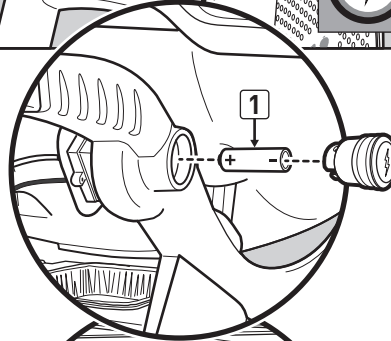
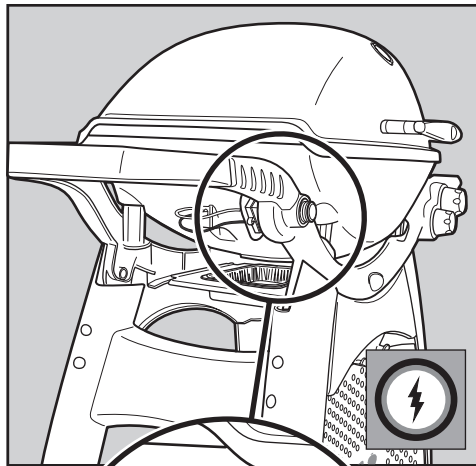
⚠ ADVERTENCIA: Todos los controles de gas y válvulas de suministro deberán estar cerrados en la posición apagada (OFF).

Si el encendedor de la barbacoa Q no llegase a encenderse, tendrá que determinar dónde se origina el problema: con el flujo de gas o con el sistema de encendido. Comience tratando de encender el quemador con un cerillo. Consulte la sección "ENCENDIDO DEL QUEMADOR - Encendido con un cerillo." Si el encendido con un cerillo es exitoso, el problema está en el sistema de encendido.

MANTENIMIENTO DEL SISTEMA DE ENCENDIDO ELECTRÓNICO

- Verifique que la batería AAA (sólo alcalinas) esté en buen estado e instalada correctamente (1). Algunas baterías cuentan con un envoltorio protector de plástico alrededor de ellas. Este plástico debe ser quitado antes de instalar la batería. No confunda este plástico con la etiqueta de la batería.
- Asegúrese de que ambos cables del encendedor estén correctamente conectados al módulo de encendido. El cable negro al terminal negro (2), el cable blanco al terminal blanco (3).
- Asegúrese de que el botón del encendedor electrónico esté funcionando prestando atención de si hace "clic" y viendo si se están produciendo chispas en el quemador.

Si el sistema de encendido electrónico todavía no logra encender el quemador, contacte al Representante de Servicio a los Clientes en su región usando la información de contacto en nuestro sitio web. Conéctese a www.weber.com.



APÉNDICE A LA GUÍA DEL PROPIETARIO DEL ASADOR A GAS

El apéndice se aplica solo a los clientes en México. Para efectos de esta guía de propietario, el término “Barbacoa,” se refiere a un asador de gas.

Debe leer esta guía del propietario antes de poner a funcionar el asador de gas.

⚠ PELIGRO:

Si huele a gas:

- 1) Cierre el suministro de gas al artefacto.
- 2) Apague todas las flamas cerrando la válvula general de paso.
- 3) Abra la tapa.
- 4) No accione interruptores eléctricos.
- 5) Llame inmediatamente a la central de fugas o a su proveedor de gas.
- 6) Una fuga de gas puede provocar un incendio o explosión que puede resultar en lesiones corporales serias o la muerte, o daños a la propiedad.

⚠ ADVERTENCIA:

- No almacene gasolina u otros fluidos inflamables en la cercanía de su aparato.
- Ningún cilindro de gas que no esté conectado para su uso deberá almacenarse cerca de éste o cualquier otro artefacto doméstico.
- No obstruir la salida de los gases de combustión del asador.
- No debe utilizarse como calefactor de ambiente.
- Mantener los alrededores del aparato libres de materiales combustibles, gasolina y otros vapores o líquidos inflamables.

⚠ ADVERTENCIA:

Este aparato no debe ser utilizado como calentador de ambiente, sólo se debe utilizar para cocinar alimentos.

⚠ ADVERTENCIA:

Estos productos trabajan a una presión de 2,75 kPa.

Q 1000; Q 1200	Q 2000; Q 2200
1 Quemador Principal de: 8 968 kJ/h	1 Quemador Principal de: 12 661 kJ/h
Q 3200	
1 Quemador Principal de: 8 000 kJ/h	
1 Quemador Principal de: 15 000 kJ/h	



3200

GUIDE DU PROPRIÉTAIRE DU BARBECUE

ENREGISTRER VOTRE BARBECUE

Merci d'avoir acheté un barbecue WEBER. Prenez quelques minutes pour protéger votre investissement en enregistrant votre barbecue en ligne sur www.weber.com. Utilisez le numéro de série présent sur la page de couverture de ce guide du propriétaire.

VOUS DEVEZ LIRE CE MODE D'EMPLOI AVANT D'UTILISER VOTRE GRILL A GAZ.

⚠ DANGER

S'il y a une odeur de gaz :

- 1) Coupez l'admission de gaz de l'appareil.
- 2) Éteindre toute flamme nue.
- 3) Ouvrir le couvercle.
- 4) Si l'odeur persiste, éloignez-vous de l'appareil et appelez immédiatement le fournisseur de gaz ou le service d'incendie.

Une fuite de gaz risque de provoquer un incendie ou une explosion susceptible d'occasionner des blessures graves, voire mortelles, ou des dégâts matériels.

Suivez toutes les procédures de détection des fuites de ce manuel avec soin avant d'utiliser le barbecue. Faites-le même si le barbecue a été assemblé par le revendeur.

⚠ AVERTISSEMENT

- 1) Ne pas entreposer ni utiliser de l'essence ni d'autres vapeurs ou liquides inflammables dans le voisinage de l'appareil, ni de tout autre appareil.
- 2) Une bouteille de propane qui n'est pas raccordée en vue de son utilisation, ne doit pas être entreposée dans le voisinage de cet appareil ou de tout autre appareil.

N'allumez pas cet appareil sans lire d'abord les sections traitant de L'ALLUMAGE DU BRULEUR de ce manuel.

CET APPAREIL A GAZ EST CONÇU POUR UNE UTILISATION À L'EXTERIEUR UNIQUEMENT.

NOTE A L'INTENTION DE L'INSTALLATEUR : les présentes instructions doivent être remises au propriétaire et le propriétaire devrait les conserver pour les utiliser plus tard.

Before you begin



Enhance your assembly experience.

Download the free BILT™ app for 3D step-by-step instructions.



Assemblage **FC** 7

FC - FRENCH CANADIAN

Descarga gratis la app BILT™ y sigue las instrucciones 3D paso a paso.

Téléchargez gratuitement l'application BILT™ pour obtenir les instructions étape par étape en 3D.

MISES EN GARDE

⚠ DANGER

Le fait de ne pas respecter les consignes intitulées DANGER, MISE EN GARDE et ATTENTION contenues dans ce Mode d'emploi risque d'entraîner des blessures graves voire un décès, ou risque de provoquer un incendie ou une explosion à l'origine de dégâts matériels.

WARNINGS:

- ⚠ Un assemblage incorrect du grill peut s'avérer dangereux. Veuillez suivre attentivement les instructions pour l'assemblage.
- ⚠ N'utilisez pas ce grill tant que toutes les pièces ne sont pas en place. Le grill doit être correctement assemblé conformément aux instructions d'assemblage.
- ⚠ Votre grill à gaz WEBER ne devrait jamais être utilisé par des enfants. Les pièces accessibles du grill peuvent atteindre une température très élevée. Maintenez les jeunes enfants éloignés lorsque ce grill est utilisé.
- ⚠ Faites preuve de prudence lorsque vous utilisez votre grill à gaz WEBER. Il sera chaud pendant la cuisson ou le nettoyage, et il ne devrait jamais être laissé sans surveillance, ni déplacé pendant son fonctionnement.
- ⚠ N'utilisez pas de charbon de bois ou de pierres de lave dans votre grill à gaz WEBER.
- ⚠ Lorsque vous allumez le grill ou que vous cuisinez, ne vous penchez jamais au-dessus d'un grill ouvert.
- ⚠ Ne placez jamais les mains ou les doigts sur l'extrémité avant du boîtier de cuisson lorsque le grill est chaud ou que le couvercle du grill est ouvert.
- ⚠ Ne tentez pas de débrancher l'assemblage régulateur de gaz et tuyau ou tout autre raccord de gaz pendant que votre grill est en fonctionnement.
- ⚠ Utilisez des maniques ou des gants pour barbecue résistants à la chaleur lorsque vous utilisez le grill.
- ⚠ Utilisez l'assemblage régulateur de pression et tuyau qui est fourni avec votre grill à gaz WEBER.
- ⚠ Si les brûleurs s'éteignent alors que le grill est en marche, tournez toutes les valves de gaz pour les fermer. Ouvrez le couvercle puis patientez cinq minutes avant de tenter de rallumer le grill, en utilisant les instructions pour l'allumage.
- ⚠ N'utilisez pas le grill dans un rayon de 24 pouces de tous matériaux inflammables. Ceci inclut le haut, le bas, l'arrière ou les côtés du grill.

- ⚠ N'encastrez pas ce type de grill dans toute structure encadrée ou à glissière. Le fait d'ignorer cette MISE EN GARDE risquerait de provoquer un incendie ou une explosion susceptible d'entraîner des dégâts matériels et d'être à l'origine de blessures graves voire d'un décès.
- ⚠ Ne stockez pas un réservoir de propane liquide supplémentaire (de rechange) ou un réservoir de propane liquide débranché sous ou à proximité de ce grill.
- ⚠ Après une période de stockage et/ou d'inutilisation, le grill à gaz WEBER devrait faire l'objet d'une vérification des fuites de gaz et des obstructions des brûleurs avant utilisation. Voir les instructions du présent Mode d'emploi pour les procédures correctes.
- ⚠ N'utilisez pas le grill à gaz WEBER en cas de fuite de gaz.
- ⚠ N'utilisez pas une flamme pour détecter les fuites de gaz.
- ⚠ Ne placez pas une bâche sur le grill ni aucune matière inflammable dessus, ou à l'intérieur de la zone de stockage située sous le grill, lorsque le grill est en fonctionnement ou à haute température.
- ⚠ Le gaz propane liquide n'est pas du gaz naturel. La conversion ou la tentative d'utilisation de gaz naturel dans un appareil à gaz propane liquide ou de gaz propane liquide dans un appareil à gaz naturel est dangereuse et elle annulera votre garantie.
- ⚠ Maintenez tout cordon d'alimentation électrique ainsi que le tuyau d'alimentation en combustible éloignés de toutes surfaces à haute température.
- ⚠ N'élargissez pas les orifices de la valve ou les ports du brûleur lorsque vous nettoyez les valves ou les brûleurs.
- ⚠ Le grill à gaz WEBER devrait être régulièrement nettoyé de manière approfondie.
- ⚠ Un réservoir de propane liquide bosselé ou rouillé peut être dangereux et il devrait être inspecté par votre fournisseur de propane liquide. N'utilisez pas un réservoir de propane liquide avec une valve détériorée.
- ⚠ Bien que votre réservoir de propane liquide puisse sembler vide, il est possible qu'il contienne toujours du gaz, et le réservoir de PL devrait être transporté et stocké en conséquence.
- ⚠ Si vous voyez, sentez ou entendez le sifflement du gaz qui s'échappe du réservoir de propane liquide :
 1. Écartez-vous du réservoir de propane liquide.
 2. Ne tentez pas de corriger le problème vous-même.
 3. Appelez les pompiers.

- ⚠ En cas de feu de graisse, fermez tous les brûleurs et laissez le couvercle fermé jusqu'à ce que le feu s'éteigne.

PROPOSITION 65 - CALIFORNIE :

- ⚠ **AVERTISSEMENT :** Les produits dérivés de la combustion formés lors de l'utilisation de ce produit contiennent des produits chimiques connus dans l'État de la Californie pour causer un cancer, des malformations congénitales ou d'autres troubles de la reproduction.
- ⚠ **PROPOSITION 65 AVERTISSEMENT :** la manipulation du laiton entrant dans la composition de ce produit vous expose au plomb, un produit chimique connu dans l'État de la Californie pour causer un cancer, des malformations congénitales ou d'autres troubles de la reproduction. *Se laver les mains après la manipulation de ce produit.*



Merci d'avoir acheté un produit WEBER. Weber-Stephen Products LLC, 1415 S. Roselle Road, Palatine, Illinois 60067 ("WEBER") sont fiers d'offrir un produit sécuritaire, durable et fiable.

Celle-ci est la garantie volontaire de WEBER qui vous est fournie sans frais supplémentaires. Elle contient les informations que vous aurez besoin d'avoir pour faire réparer le produit WEBER dans le cas improbable d'une panne ou de défaillance.

Conformément aux lois applicables, le client dispose de plusieurs droits au cas où le produit serait défectueux. Ces droits comprennent le rendement supplémentaire ou le remplacement, la réduction du prix d'achat et une rémunération. Dans l'Union européenne, par exemple, ce serait une garantie légale de deux ans à compter de la date de la remise du produit. Ces droits légaux et d'autres ne sont pas affectés par cette disposition de la garantie. En fait, cette garantie accorde des droits supplémentaires au propriétaire qui sont indépendants des dispositions légales de la garantie.

GARANTIE LÉGALE DE WEBER

WEBER fournit à l'acheteur original du produit WEBER (ou dans le cas d'un cadeau ou d'une situation promotionnel, la personne pour laquelle il a été acheté comme cadeau ou article promotionnel), que le produit WEBER est exempt de défauts de matériaux et de fabrication pour la ou les périodes de temps spécifiées ci-dessous lorsqu'il est assemblé et utilisé conformément au Guide du propriétaire qui l'accompagne. (Remarque : Si vous perdez ou égarez votre Guide du propriétaire WEBER, un remplacement est disponible en ligne à www.weber.com ou le site spécifique au pays auquel le propriétaire peut être redirigé.) Lorsque l'appareil est utilisé et entretenu de façon normale dans une maison privée unifamiliale ou un appartement, WEBER s'engage à réparer ou remplacer les pièces défectueuses dans les délais, limitations et exclusions applicables énumérées ci-dessous. SELON CE QUI EST PERMIS PAR LA LOI APPLICABLE, CETTE GARANTIE S'APPLIQUE UNIQUEMENT À L'ACHETEUR ORIGINAL ET N'EST PAS TRANSFÉRABLE À DES PROPRIÉTAIRES ULTÉRIEURS, SAUF DANS LE CAS DE CADEAUX ET D'ARTICLES PROMOTIONNELS COMME INDIQUÉ PLUS HAUT.

RESPONSABILITÉS DU PROPRIÉTAIRE EN VERTU DE CETTE GARANTIE

Pour assurer une couverture de garantie sans problème, il est important (mais il n'est pas nécessaire) que vous enregistriez votre produit WEBER en ligne à www.weber.com ou au site spécifique au pays auquel le propriétaire peut être redirigé). S'il vous plaît, conservez également votre bon d'achat et/ou la facture original. L'enregistrement de votre produit WEBER confirme la couverture de votre garantie et fournit un lien direct entre vous et WEBER au cas où nous devrions vous contacter.

La garantie ci-dessus ne s'applique que si le propriétaire prend soin du produit WEBER en suivant les instructions d'assemblage, d'utilisation et d'entretien préventif, comme indiqué dans le Guide du propriétaire qui l'accompagne, à moins que le propriétaire puisse prouver que le défaut ou la défaillance est indépendante du non-respect des obligations mentionnées ci-dessus. Si vous habitez dans une zone côtière, où que votre produit est situé près d'une piscine, l'entretien régulier comprend le lavage et le rinçage des surfaces extérieures comme indiqué dans le Guide du propriétaire l'accompagnant.

MANIPULATION SOUS GARANTIE / EXCLUSION DE GARANTIE

Si vous croyez que vous avez une pièce qui est couverte par cette garantie, s'il vous plaît contacter le Service à la clientèle de WEBER en utilisant les informations de contact sur notre site web (www.weber.com) ou sur le site spécifique au pays auquel le propriétaire peut être redirigé). WEBER, après enquête, réparera ou remplacera (à sa discrétion) la pièce défectueuse couverte par cette garantie. Dans le cas où la réparation ou le remplacement ne sont pas possibles, WEBER peut choisir (à sa discrétion) de remplacer le barbecue en question par un nouveau barbecue de valeur égale ou supérieure. WEBER peut vous demander de retourner les pièces pour l'inspection, frais d'expédition payés d'avance.

Cette GARANTIE devient caduque si il y a des dommages, détériorations, décolorations, et/ou de la rouille pour laquelle WEBER n'est pas responsable causée par :

- L'abus, le mauvais usage, la modification, la mauvaise application, le vandalisme, la négligence, le montage ou l'installation incorrecte, et la négligence d'effectuer correctement l'entretien normal/routinier;
- Les insectes (comme les araignées) et les rongeurs (comme les écureuils), y compris mais non limité aux dommages causés aux tubes du brûleur et/ou aux canalisations de gaz ;
- L'exposition à l'air salin et/ou aux sources de chlore telles que les piscines et les cuves thermales/Spas ;
- Conditions météorologiques extrêmes comme la grêle, les ouragans, les tremblements de terre, les tsunamis ou les marées de tempête, les tornades et les tempêtes sévères.

Toute pièce utilisée et/ou installée sur votre produit WEBER qui n'est pas une pièce d'origine WEBER n'est pas couverte par cette garantie. Tout dommage résultant de l'utilisation et/ou de l'installation de pièces sur votre produit WEBER qui ne sont pas des pièces d'origine WEBER n'est pas couvert par cette garantie. Toute conversion d'un barbecue à gaz qui n'est ni autorisée par WEBER et ni effectuée par un technicien agréé WEBER annulera cette garantie.

PÉRIODES DE GARANTIE DU PRODUIT

Cuve de cuisson :
5 ans, pas de perçage par la rouille ou par brûlage
(2 ans pour la peinture sauf dégradation ou décoloration)

Assemblage du couvercle :
5 ans, pas de perçage par la rouille ou par brûlage
(2 ans pour la peinture sauf dégradation ou décoloration)

Tubes de brûleur en acier inox :
5 ans contre la perforation par rouille/brûlage

Grilles de cuisson en fonte émaillée :
5 ans contre la perforation par rouille/brûlage

Composants en plastique :
5 ans, excluant la dégradation ou la décoloration

Toutes les autres pièces :
2 ans

EXCLUSIONS

EN DEHORS DE LA GARANTIE ET DES EXCLUSIONS COMME DÉCRIT DANS CETTE DÉCLARATION DE GARANTIE, IL N'Y A AUCUNE AUTRE GARANTIE EXPLICITE OU DÉCLARATION VOLONTAIRE DE RESPONSABILITÉ DONNÉE ICI QUI DÉPASSENT LA RESPONSABILITÉ LÉGALE APPLICABLE À WEBER. AUSSI, CETTE DÉCLARATION DE GARANTIE NE LIMITE PAS OU N'EXCLUE PAS LES SITUATIONS OU RÉCLAMATIONS POUR LESQUELLES WEBER A UN RESPONSABILITÉ IMPÉRATIVE PRESCRITE PAR LA LOI.

AUCUNE GARANTIE NE S'APPLIQUE APRÈS LES PÉRIODES APPLICABLES DE LA PRÉSENTE GARANTIE. AUCUNES AUTRES GARANTIES ACCORDÉES PAR TOUTES PERSONNES OU ENTITÉS, Y COMPRIS UN CONCESSIONNAIRE OU DÉTAILLANT CONCERNANT LES PRODUITS (COMME TOUTES « GARANTIES PROLONGÉES »), NE LIENT WEBER. LE SEUL RECOURS DE CETTE GARANTIE EST LA RÉPARATION OU LE REMPLACEMENT DE LA PIÈCE OU DU PRODUIT.

EN AUCUN CAS LA RECOURVEMENT DE QUELQUE NATURE QUE CE SOIT NE SERA PLUS GRAND QUE LE MONTANT DU PRIX D'ACHAT DU PRODUIT QUE WEBER VOUS A VENDU.

VOUS ASSUMEZ LES RISQUES ET RESPONSABILITÉS POUR LA PERTE, LES DOMMAGES OU LES BLESSURES À VOUS ET VOTRE PROPRIÉTÉ ET/OU AUX AUTRES ET À LEURS BIENS DU FAIT DE L'UTILISATION INCORRECTE OU ABUSIF DU PRODUIT OU LA NÉGLIGENCE DE SUIVRE LES INSTRUCTIONS FOURNIES PAR WEBER DANS LE GUIDE DU PROPRIÉTAIRE L'ACCOMPAGNANT.

LES PIÈCES ET ACCESSOIRES REMPLACÉS SOUS CETTE GARANTIE SONT GARANTIS POUR LA BALANCE DE LA OU DES PÉRIODES DE GARANTIES INITIALES.

CETTE GARANTIE S'APPLIQUE À L'UTILISATION DANS UNE MAISON PRIVÉE OU EN APPARTEMENT SEULEMENT ET NE COUVRE PAS LES BARBECUES WEBER DANS LES ÉTABLISSEMENTS COMMERCIAUX, COMMUNAUTAIRES OU EMBLEMES MULTIPLES TELS QUE LES RESTAURANTS, LES HÔTELS, CLUBS OU IMMEUBLES LOCATIFS.

WEBER PEUT DE TEMPS EN TEMPS MODIFIER LA CONCEPTION DE SES PRODUITS. RIEN DANS CE GARANTIE NE SERA INTERPRÉTÉ COMME UNE OBLIGATION POUR WEBER D'INTÉGRER LES MODIFICATIONS DE CONCEPTIONS AUX PRODUITS FABRIQUÉS ANTÉRIEUREMENT, ET AUCUNE DE CES MODIFICATIONS NE SERA CONSIDÉRÉE COMME UNE ADMISSION QUE LES CONCEPTIONS PRÉCÉDENTES ÉTAIENT DÉFECTUEUSES.

Weber-Stephen PRODUCTS LLC
Centre de service clientèle
1415 S. Roselle Road
Palatine, IL 60067
U.S.A.

Pour des pièces de rechange, appelez le :
1-800-446-1071

WEBER Q 3200 VUE ECLATÉE 4
LISTE DES PIÈCES 6
ASSEMBLAGE 7
FONCTIONS DE STOCKAGE 19
MISES EN GARDE 55
GARANTIE 56
TABLE DES MATIERES 56

INFORMATIONS IMPORTANTES CONCERNANT LE GAZ PL 57
QU'EST-CE QUE LE GAZ PL ? 57
CONSEILS POUR UNE MANIPULATION
SANS DANGER DES RÉSERVOIRS DE PL 57
STOCKAGE ET/OU INUTILISATION 57
CODES D'INSTALLATION DES USA 57
CODES CANADIENS D'INSTALLATION 57
EXIGENCES DES USA CONCERNANT LE RÉSERVOIR DE PL 57
EXIGENCES CANADIENNES CONCERNANT LE RÉSERVOIR DE PL 57

INFORMATIONS IMPORTANTES CONCERNANT LES RACCORDES DE GAZ PL 58
QU'EST-CE QU'UN RÉGULATEUR ? 58
RACCORDEMENTS DU RÉGULATEUR 58
INSTALLATION ET RETRAIT DU RÉSERVOIR DE PL 59
ALIMENTER VOTRE GRILL 59
INSTALLATION DU RÉSERVOIR DE PL 59
RETRAIT DU RÉSERVOIR DE PL POUR LE REMPLIR OU LE REMPLACER 59
REPLISSAGE DU RÉSERVOIR DE GAZ PL 59

PRÉPARATION AVANT L'UTILISATION DE VOTRE GRILL 60
QU'EST-CE QU'UNE DÉTECTION DES FUITES ? 60
DETECTION DES FUITES DE GAZ 60

CONTROLES DE SECURITE AVANT L'UTILISATION DE VOTRE GRILL 61
LA SECURITE AVANT TOUT 61
BAC DE RECUPERATION DES GRAISSES AMOVIBLE ET EGOUTTOIR JETABLE 61
INSPECTION DU TUYAU 61

ALLUMAGE DU BRULEUR & UTILISATION 62
METHODS POUR L'ALLUMAGE DU BRULEUR 62
ALLUMAGE DU BRULEUR – Dispositif d'allumage électronique 62
POUR ETEINDRE LE BRULEUR 62
ALLUMAGE DU BRULEUR – Allumage à l'aide d'une allumette 63
POUR ETEINDRE LE BRULEUR 63

CONSEILS & ASTUCES POUR LES GRILLADES 64
CONSEILS & ASTUCES 64
PRECHAUFFAGE 64
CUISSON COUVERTE 64
DISPOSITIF DE RECUPERATION DES GRAISSES 64

METHODES DE CUISSON 65
METHODE DIRECTE OU METHODE INDIRECTE ? 65

DEPANNAGE 66
DEPANNAGE GENERAL 66

MAINTENANCE ANNUELLE 67
CONSERVER VOTRE GRILL WEBER EN PARFAIT ÉTAT 67
FORME DE LA FLAMME DU BRÛLEUR 67
GRILLE(S) ANTI-ARAIGNÉES/INSECTES WEBER 67
PORTS DU TUBE DU BRÛLEUR 67
NETTOYAGE DU TUBE DU BRÛLEUR OU REMPLACEMENT 68

MAINTENANCE DE ROUTINE 69
MAGNIFIQUE—DEDANS COMME DEHORS 69
NETTOYAGE DE L'EXTERIEUR DU GRILL 69
NETTOYAGE DE L'INTERIEUR DU GRILL 69
INSPECTION DU TUYAU 69
UTILISATION DU DISPOSITIF D'ALLUMAGE 71
MAINTENANCE DU DISPOSITIF D'ALLUMAGE ELECTRONIQUE 71

QU'EST-CE QUE LE GAZ PL ?

Le gaz pétrole liquéfié, également appelé GPL ou PL, propane liquide ou simplement propane ou butane, est le produit inflammable dérivé du pétrole utilisé pour alimenter votre grill. Il est à l'état gazeux lorsque les températures et les pressions sont modérées et lorsqu'il n'est pas enfermé dans un récipient. Mais soumis à une pression modérée à l'intérieur d'un conteneur, comme un réservoir de gaz, le PL est liquide. Au fur et à mesure que la pression est dégagée du réservoir de gaz, le liquide se vaporise rapidement et devient le gaz PL.

- Le PL dégage une odeur similaire à celle du gaz naturel. Vous devriez être familiarisé avec cette odeur.
- Le PL est plus lourd que l'air. En cas de fuite de gaz, le PL peut s'accumuler dans les zones basses et résister à la dispersion.

CONSEILS POUR UNE MANIPULATION SANS DANGER DES RÉSERVOIRS DE PL

Il existe diverses consignes et divers facteurs de sécurité que vous devez garder à l'esprit lorsque vous utilisez du gaz PL. Suivez attentivement ces instructions avant d'utiliser votre grill à gaz WEBER.

- Fermez toujours la valve du réservoir de gaz avant de débrancher le régulateur.
- N'utilisez pas un réservoir de PL détérioré. Un réservoir de PL enfoncé ou rouillé ou un réservoir de PL avec une valve détériorée peut s'avérer dangereux et il devrait être remplacé par un réservoir neuf immédiatement.
- Manipulez les réservoirs de PL "vides" avec le même soin que vous le feriez pour la manipulation de réservoirs de gaz pleins. Même lorsqu'un réservoir de PL est vide de tout liquide, elle peut encore contenir du gaz sous pression.
- Le réservoir de PL doit être installée, transportée et stockée en position verticale. Les réservoirs de PL ne devraient pas être lâchés ou manipulés sans précaution.

- Ne stockez ou ne transportez jamais le réservoir de PL quelque part où la température peut atteindre 125° F (51.7° C) (le réservoir de gaz va devenir trop chaud pour pouvoir être manipulé à la main). Par exemple : ne laissez pas le réservoir de PL dans une voiture par une journée chaude.
- Effectuez un test de détection des fuites sur la raccord au niveau du branchement du régulateur et du réservoir de PL à chaque nouvelle connexion. Par exemple : effectuez le test à chaque fois que le réservoir de PL est rechargé puis réinstallé.
- Les réservoirs de PL doivent être conservés hors de portée des enfants.

STOCKAGE ET/OU INUTILISATION

Le gaz doit être éteint au niveau du réservoir de PL lorsque le grill à gaz WEBER est inutilisé.

⚠ MISE EN GARDE : assurez-vous que la valve de PL est fermée lorsque le grill n'est pas utilisé. Fermez la valve en la tournant dans le sens des aiguilles d'une montre.

- Si vous stockez le grill à gaz WEBER à l'intérieur, commencez par DECONNECTER l'arrivée de gaz puis stockez le réservoir de gaz PL dehors dans une zone bien ventilée.

⚠ ATTENTION : placez le cache anti-poussière sur la sortie de la valve du réservoir de gaz à chaque fois que le réservoir de gaz est inutilisé. Installez sur la sortie de la valve du réservoir de gaz uniquement le type de cache anti-poussière fourni avec la valve du réservoir de gaz. Les autres types de caches ou de bouchons peuvent provoquer une fuite de propane.

- Ne stockez pas un réservoir de PL débranché dans un bâtiment, un garage, ou toute autre zone confinée.
- Si vous ne débranchez pas le réservoir de PL du grill à gaz WEBER, assurez-vous de conserver le grill et le réservoir de gaz dehors dans une zone bien ventilée.

Pour les grills qui ont été stockés et/ou inutilisés pendant une période prolongée, il est important de suivre ces directives :

- Le grill à gaz WEBER devrait faire l'objet d'une détection des fuites de gaz et des obstructions éventuelles à l'intérieur des tubes du brûleur avant toute utilisation. (Voir "DETECTION DES FUITES DE GAZ" et "MAINTENANCE ANNUELLE".)
- Vérifiez que les zones autour du réservoir de PL et au-dessous du boîtier de cuisson et le bac de récupération de graisse amovible ne comportent aucun débris susceptible de faire obstacle à la circulation de l'air nécessaire à la combustion ou à la ventilation.
- Les grilles anti-araignées/insectes devraient également faire l'objet d'une détection des obstructions. (Voir "MAINTENANCE ANNUELLE".)

CODES D'INSTALLATION DES USA

L'installation doit se conformer aux codes locaux ou, en l'absence de codes locaux, avec le code national relatif aux gaz combustibles, ANSI Z223.1/NFPA 54, avec le Code des installations au gaz naturel et propane, CSA B149.1 ; ou avec le Code relatif au stockage et à la manipulation de propane, B149.2 ; ou avec la Norme relative aux véhicules de loisirs, ANSI A 119.2/NFPA 1192, et Série CSA Z240 RV, ou le Code relatif aux véhicules de loisirs, le cas échéant.

CODES CANADIENS D'INSTALLATION

Les présentes instructions, bien que généralement acceptables, ne respectent pas nécessairement les codes canadiens d'installation, en particulier en ce qui concerne les canalisations au-dessus et au-dessous du sol. Au Canada, l'installation de cet appareil doit respecter les codes locaux et/ou la dernière édition de la Norme CAN/CSA-B149.2 (Code relatif au stockage et à la manipulation de propane).

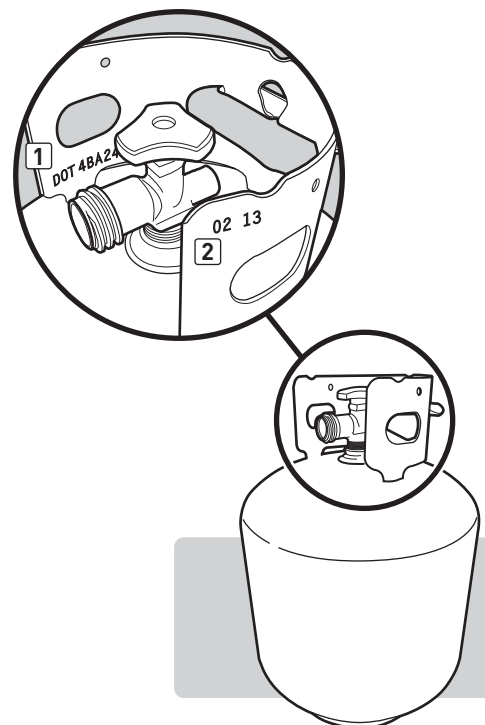
EXIGENCES DES USA CONCERNANT LE RÉSERVOIR DE PL

- Vérifiez et assurez-vous que les réservoirs de gaz ont une certification D.O.T. (1), et que la date de test (2) est à moins de cinq ans de l'utilisation en cours. Votre fournisseur de gaz PL peut faire cela pour vous.
- Tous les systèmes d'alimentation pour réservoirs de PL doivent inclure un collier afin de protéger la valve du réservoir de gaz.
- Le réservoir de PL doit être d'un format de 20 livres, soit environ 18¼ pouces de haut et 12¼ pouces de diamètre.
- Le réservoir de gaz doit être fabriqué et marqué conformément aux Spécifications pour le PL - Bouteilles (Réservoirs) de gaz du ministères des transports des USA (Department of Transportation - D.O.T.) ou à la Norme nationale du Canada, CAN/CSA-B339, Bouteilles (Réservoirs) de gaz, sphères et tubes ou Transport de matières dangereuses ; et Commission, le cas échéant.
- **⚠ MISE EN GARDE : le réservoir de PL utilisé avec votre grill doit être pourvue d'un dispositif de prévention du sur-remplissage (Overfilling Prevention Device - OPD) et d'un raccord de réservoir de gaz QCC1 ou de Type 1 (CGA 791). Le raccord du réservoir de gaz doit être compatible avec le raccord du grill.**

EXIGENCES CANADIENNES CONCERNANT LE RÉSERVOIR DE PL

- Le réservoir de PL doit être fabriqué et marqué conformément aux spécifications pour les réservoirs de gaz PL, T.C.

REMARQUE : votre détaillant peut vous aider à trouver un réservoir de gaz de rechange adapté pour votre grill.



QU'EST-CE QU'UN RÉGULATEUR ?

Votre grill à gaz WEBER est équipé d'un régulateur de pression, qui est un dispositif qui permet de contrôler et de maintenir une pression de gaz uniforme pendant que le gaz est relâché par le réservoir de gaz PL.

RACCORDEMENTS DU RÉGULATEUR

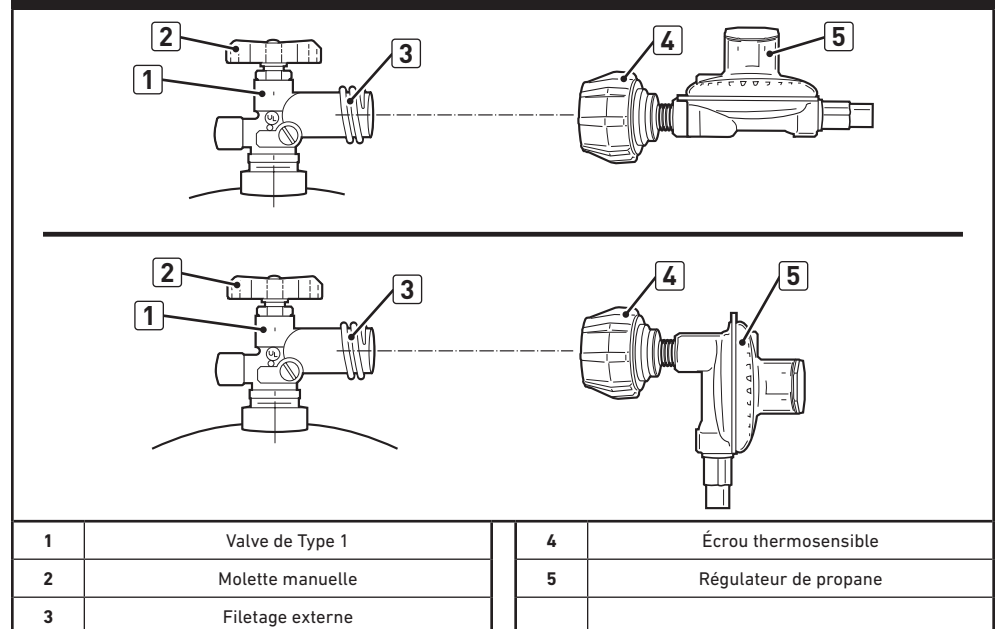
Chaque régulateur de PL WEBER est conçu pour éliminer la vapeur et est équipé d'un raccord de réservoir de Type 1 homologué UL tel que décrit dans la dernière édition de l'ANSI Z21.58. LE RÉSERVOIR DE PL QUE VOUS RACCORDEZ AU RÉGULATEUR DOIT ÊTRE ÉQUIPÉE D'UN RACCORD DE TYPE 1 COMPATIBLE DANS LA VALVE DU RÉSERVOIR. Ce raccord de Type 1 vous permet de réaliser une fixation rapide et sûre entre votre grill à gaz WEBER et le réservoir de PL.

REMARQUE : Le gaz ne s'écoulera pas du réservoir tant que le couplage de Type 1 ne sera pas complètement engagé.

- Le régulateur de pression fourni avec le grill à gaz WEBER doit être utilisé. Ce régulateur est paramétré pour 11 pouces de pression de colonne d'eau.
- Les assemblages régulateur de pression et tuyau de recharge doivent être ceux spécifiés par Weber-Stephen Products LLC.
- Assurez-vous que le régulateur est monté avec le petit trou d'aération orienté vers le bas de sorte qu'il n'accumule pas d'eau. Cette aération ne devrait pas comporter de saleté, de graisse, d'insectes, etc.
- Les raccords de gaz fournis avec votre appareil à gaz WEBER ont été conçus et testés pour être conformes à 100% par rapport aux exigences du CSA et de l'ANSI.

⚠ MISE EN GARDE : Les réservoirs de PL de recharge doivent s'adapter au raccord du régulateur fourni avec cet appareil à gaz WEBER.

COUPLAGE DE CONNEXION DE TYPE 1



ALIMENTER VOTRE GRILL

Avant d'utiliser votre grill pour la première fois, vous devez vous procurer un réservoir de PL. Les réservoirs neufs s'achètent pleins ; les réservoirs vides peuvent être rechargés ou échangés. Vous pouvez choisir d'acheter un réservoir de PL de rechange afin de ne pas manquer de combustible au milieu de la cuisson d'un repas.

⚠ DANGER

NE conservez JAMAIS un réservoir de PL de rechange sous ou à proximité d'appareils à gaz WEBER. Ne remplissez JAMAIS le réservoir de gaz au-delà de 80% de sa capacité. Le non respect de ces consignes de sécurité exactement risque d'entraîner un incendie susceptible de provoquer un décès ou une blessure grave.

INSTALLATION DU RÉSERVOIR DE PL

Le réservoir de PL est installé sous le grill, sur le support du réservoir de gaz. WEBER recommande des réservoirs de PL d'une capacité de 47,6 livres de liquide.

Préparez le grill pour l'installation du réservoir de PL

- A) Vérifiez que tous les boutons de commande du brûleur sont en position d'arrêt (O). Votre grill a été expédié avec les boutons de commande du brûleur en position d'arrêt (O), mais vous devriez vérifier afin de vous assurer qu'ils sont éteints. Vérifiez en enfonçant et en tournant les boutons dans le sens des aiguilles d'une montre. S'ils ne tournent pas, c'est qu'ils sont éteints. S'ils tournent, continuez à les tourner dans le sens des aiguilles d'une montre jusqu'à ce qu'ils s'arrêtent ; alors, ils sont éteints.

Installez le réservoir de PL

- A) Orientez le réservoir de PL de sorte que l'ouverture de la valve se trouve en face du côté droit ou de l'arrière du grill.
 B) Placez le réservoir de PL sur le support du réservoir (1).
 C) Fixez le réservoir sur le support à l'aide de la sangle pour réservoir de gaz (2).

⚠ **MISE EN GARDE : le réservoir de gaz doit être solidement fixé sur son support lorsque le grill est en cours d'utilisation.**

⚠ **MISE EN GARDE : assurez-vous que la valve du réservoir de PL est fermée. Fermez la valve en la tournant dans le sens des aiguilles d'une montre.**

Connectez le régulateur / tuyau au réservoir de gaz

- A) Retirez la vis du pied droit du chariot. Insérez la pince de retenue. Réinstallez la vis (3).
 ⚠ **MISE EN GARDE : le tuyau doit être fixé contre le pied du chariot au moyen de la pince de retenue du tuyau. Le non-respect de cette consigne risquerait de détériorer le tuyau avec pour conséquence un incendie ou une explosion, susceptible de provoquer des blessures graves voire un décès ainsi que des dégâts matériels.**
 B) Retirez le cache anti-poussière de la valve du réservoir de gaz.
 C) Vissez le couplage du régulateur sur la valve du réservoir de gaz, en tournant dans le sens des aiguilles d'une montre, ou vers la droite. **Serrez à la main uniquement.**

REMARQUE : Ce raccord se serre dans le sens des aiguilles d'une montre et il ne laisse pas le gaz s'écouler tant que le raccord n'est pas hermétique.

⚠ **MISE EN GARDE : n'utilisez pas de clé pour serrer le raccord. L'utilisation d'une clé risquerait de détériorer le couplage du régulateur et elle risquerait de provoquer une fuite.**

RETRAIT DU RÉSERVOIR DE PL POUR LE REMPLIR OU LE REMPLACER

Un réservoir de PL plein va durer environ 18 à 20 heures de temps de cuisson dans des conditions normales d'utilisation. Vous n'avez pas besoin d'être à court de carburant pour pouvoir recharger le réservoir. En fait, nous vous recommandons de remplir le réservoir de PL avant qu'il ne soit complètement vide.

Retrait du réservoir de PL

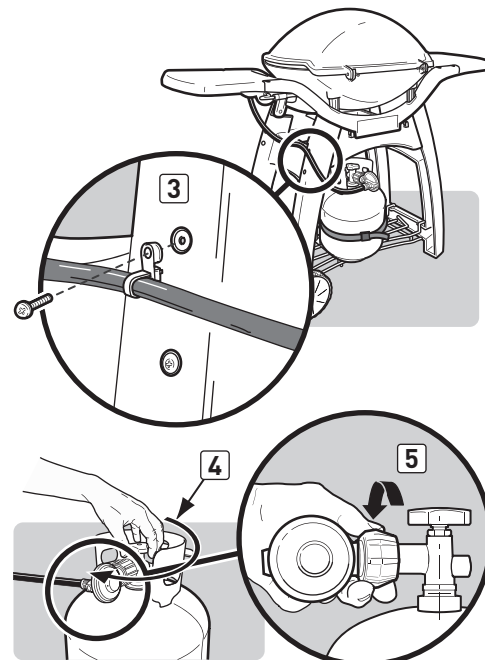
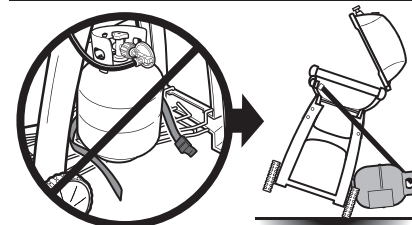
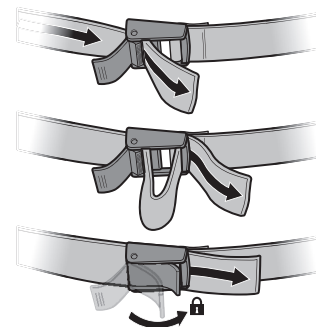
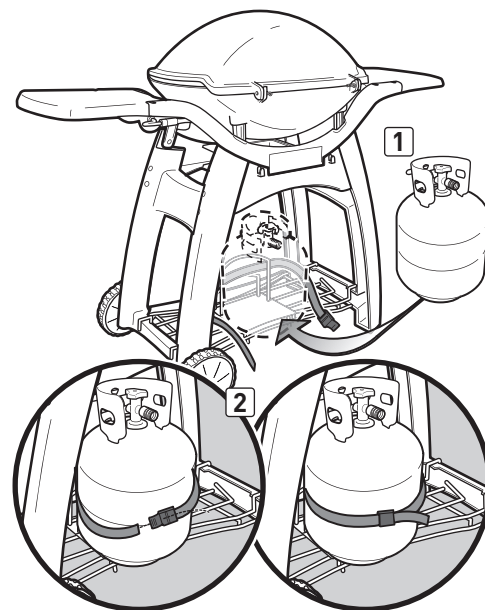
- A) Fermez la valve du réservoir de gaz (tournez dans le sens des aiguilles d'une montre) (4).
 B) Dévissez le couplage du régulateur en tournant dans le sens inverse des aiguilles d'une montre, manuellement uniquement (5).
 C) Débouchez la sangle du réservoir de gaz. Soulevez le réservoir de gaz pour la sortir du support de réservoir.

REMPLISSAGE DU RÉSERVOIR DE GAZ PL

Le remplissage correct de votre réservoir de gaz est effectué en fonction du poids ou du volume, selon les descriptions dans NFPA 58. Assurez-vous que votre station de recharge utilise l'une de ces deux méthodes, et demandez à votre station de recharge de lire les consignes de purge et de remplissage sur le réservoir de PL avant de tenter de la remplir.

⚠ **MISE EN GARDE : nous vous recommandons de faire remplir votre réservoir de PL auprès d'un revendeur de gaz PL agréé, par un agent qualifié, qui remplit le réservoir de gaz au poids. UN REMPLISSAGE INCORRECT EST DANGEREUX.**

REMARQUE : Soyez certain que le réservoir de gaz a été purgé de l'air emprisonné avant le premier remplissage. Votre revendeur de PL est équipé pour le faire.



QU'EST-CE QU'UNE DÉTECTION DES FUITES ?

Le système d'alimentation de votre grill est composé de connexions et de raccords. Une détection des fuites est une méthode fiable pour vous assurer qu'il n'y a pas de gaz qui s'échappe de l'une des connexions ou de l'un des raccords.

Bien que tous les raccords réalisés en usine aient fait l'objet d'une détection approfondie des fuites de gaz, il est important d'effectuer une détection des fuites de gaz avant d'utiliser votre grill pour la première fois, ainsi qu'à chaque fois que vous débranchez puis rebranchez un raccord et à chaque fois que vous effectuez une maintenance de routine.

⚠ DANGER

N'utilisez pas de flamme pour effectuer la détection des fuites de gaz. Assurez-vous qu'il n'y a pas d'étincelles ni de flammes nues dans la zone où vous détectez les fuites. Des étincelles ou des flammes nues provoqueraient un incendie ou une explosion, susceptibles d'entraîner des blessures graves ou un décès ainsi que des dégâts matériels.

- ⚠ **MISE EN GARDE** : Les raccords de gaz de votre grill à gaz ont été testés en usine. Néanmoins, nous vous recommandons de vérifier la totalité des raccords de gaz avant d'utiliser votre grill à gaz.
- ⚠ **MISE EN GARDE** : Effectuez ces contrôles de détection des fuites même si votre grill a été assemblé par un revendeur ou dans une boutique.
- ⚠ **MISE EN GARDE** : Vous devriez détecter les fuites de gaz à chaque fois que vous débranchez puis rebranchez un raccord de gaz.

REMARQUE : La totalité des raccords effectués en usine a fait l'objet d'un contrôle approfondi de détection des fuites et les brûleurs ont été testés à la flamme. Par mesure de sécurité, toutefois, vous devriez vérifier la totalité des raccords afin de détecter toute fuite éventuelle avant d'utiliser votre grill à gaz WEBER. L'expédition et la maintenance risquent de desserrer ou de détériorer un raccord de gaz.

DETECTION DES FUITES DE GAZ

Il vous faudra : Un réservoir d'aérosol ou une brosse ou un chiffon et une solution d'eau savonneuse. (Vous pouvez préparer votre propre solution d'eau savonneuse en mélangeant 20% de savon liquide avec 80% d'eau ; ou, vous pouvez acheter une solution de détection des fuites au rayon plomberie de n'importe quelle quincaillerie.)

- A) Fermez l'arrivée de gaz à la source.
- B) Vérifiez si **TOUS** les boutons de commande du brûleur sont en position d'arrêt (○) (1). Les boutons de commande du brûleur doivent être en position d'arrêt (○), mais vous devriez vérifier pour vous assurer qu'ils sont arrêtés. Vérifiez en enfonçant les boutons de commande du brûleur et en les tournant dans le sens des aiguilles d'une montre. S'ils ne tournent pas, c'est qu'ils sont éteints. S'ils tournent, continuez à les tourner dans le sens des aiguilles d'une montre jusqu'à ce qu'ils s'arrêtent ; ensuite, ils seront éteints.
- C) Fermez l'arrivée de gaz à la source (2).

⚠ **MISE EN GARDE** : N'allumez pas les brûleurs pendant que vous détectez les fuites.

- D) Pour détecter les fuites, humidifiez les raccords à l'aide de la solution d'eau savonneuse, à l'aide d'un réservoir d'aérosol, d'une brosse ou d'un chiffon. Si des bulles se forment, ou si une bulle grossit, cela signifie qu'il y a une fuite. Appliquez la solution d'eau savonneuse sur les raccords suivants :

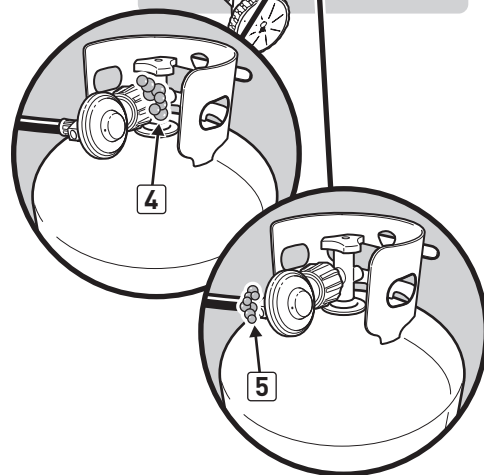
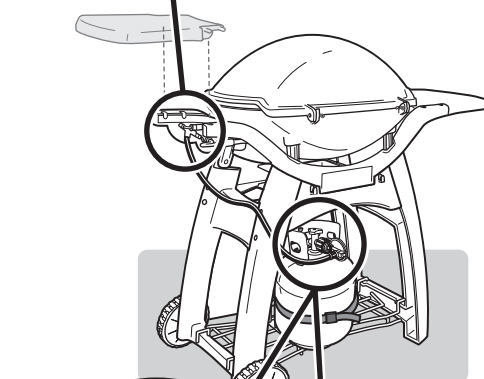
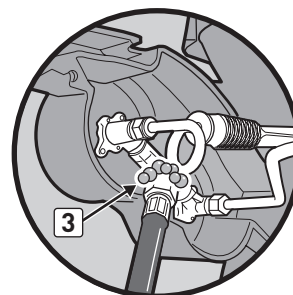
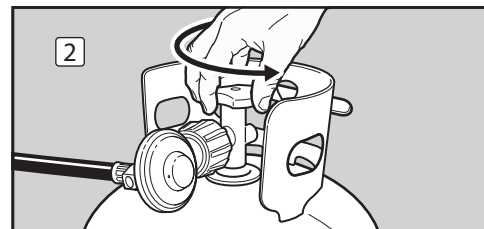
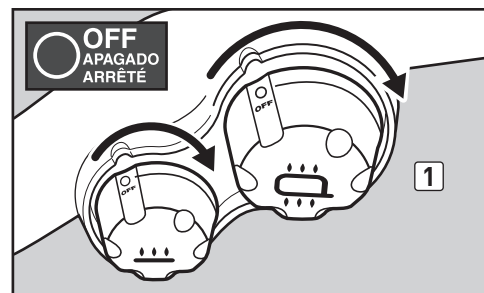
- a) Raccord collecteur-vers-tuyau du régulateur (3).
- b) Raccord régulateur-vers-réservoir de gaz (6).
- c) Raccord tuyau souple du régulateur-vers-régulateur (7).

⚠ **AVERTISSEMENT** : S'il y a une fuite aux connexions (3, 4 ou 5), coupez l'alimentation en gaz. **NE TENTEZ JAMAIS DE SERRER LE RÉGULATEUR LORSQUE LE ROBINET DU RÉSERVOIR EST OUVERT. N'UTILISEZ PAS LE BARBECUE.** Communiquez avec le représentant du service à la clientèle de votre région à l'aide des coordonnées qui se trouvent sur notre site Web. Connectez-vous au www.weber.com.

- E) Une fois les contrôles de détection des fuites terminés, fermez l'arrivée de gaz à la source et rincez les connexions à l'eau.

REMARQUE : Dans la mesure où certaines solutions de détection des fuites, notamment l'eau savonneuse, risquent de s'avérer légèrement corrosives, la totalité des raccords devrait être rincée à l'eau une fois la détection des fuites effectuée.

Maintenant, vous êtes prêt à utiliser votre grill.



LA SECURITE AVANT TOUT

Il est préférable de prendre l'habitude d'effectuer quelques contrôles de sécurité avant de faire vos grillades.

La sécurité doit être prise en compte lorsque vous décidez où placer et utiliser votre grill. Assurez-vous de lire les mises en garde suivantes avant d'installer ou d'utiliser votre grill.

MISES EN GARDE :

- ⚠ Utilisez ce grill uniquement en extérieur dans une zone bien ventilée. Ne l'utilisez pas dans un garage, dans un bâtiment, dans un passage couvert ou dans toute autre zone confinée.
- ⚠ Votre grill à gaz WEBER ne doit pas être utilisé sous une structure suspendue inflammable.
- ⚠ Votre grill à gaz WEBER n'est pas conçu pour être installé dans ou sur des véhicules de loisirs et/ou dans des bateaux.
- ⚠ N'utilisez pas le grill dans un rayon de 24 pouces par rapport à tout matériau inflammable. Ceci inclut le haut, le bas, l'arrière ou les côtés du grill.
- ⚠ Maintenez la zone de cuisson dégagée de toute vapeur inflammable et de tout liquide tel que de l'essence, de l'alcool, etc., et tout matériau inflammable.
- ⚠ La totalité du boîtier de cuisson atteint une température élevée pendant l'utilisation. Ne pas toucher.
- ⚠ Ne déplacez pas le barbecue à gaz WEBER en cours d'utilisation ou lorsque celui-ci est très chaud.

BAC DE RECUPERATION DES GRAISSES AMOVIBLE ET EGOUTTOIR JETABLE

Votre grill a été pourvu de la conception d'un dispositif de récupération des matières grasses, qui canalise la graisse afin de l'éloigner des aliments, vers un bac de récupération amovible. Pour que cela soit plus pratique encore, vous pouvez également recouvrir le bac de récupération amovible d'un égouttoir jetable WEBER, ce qui contribuera à maintenir plus longtemps la propreté du bac de récupération des graisses amovible.

Le nettoyage du bac de récupération des graisses amovible est tout aussi important que le nettoyage du boîtier de cuisson. Vérifiez le bac de récupération des graisses amovible afin de détecter toute accumulation de matière grasse à chaque fois que vous utilisez votre grill. Retirez tout excès de matière grasse à l'aide d'un grattoir en plastique (1). Lavez l'égouttoir jetable à l'aide d'une solution d'eau savonneuse puis rincez à l'eau claire.

⚠ **AVERTISSEMENT :** Faire preuve de prudence, retirer avec précaution le bac de récupération et se débarrasser des graisses chaudes.

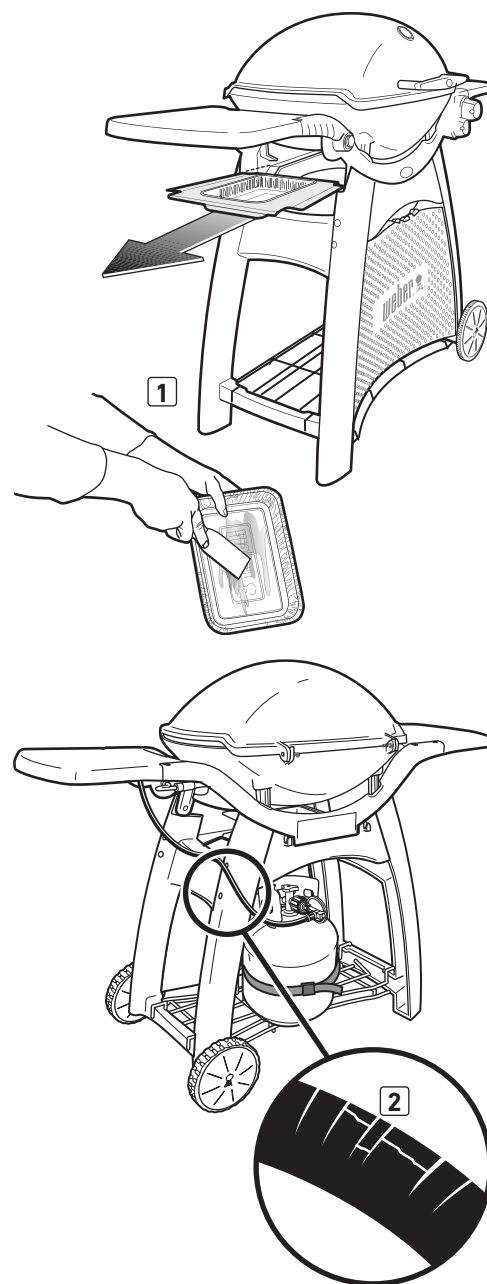
⚠ **MISE EN GARDE :** Vérifiez l'égouttoir jetable ou le bac de récupération des graisses amovible afin de détecter toute accumulation de matière grasse avant chaque utilisation. Retirez tout excès de matière grasse afin d'éviter un embrasement de la matière grasse. Un feu de matière grasse risquerait de provoquer des blessures graves ainsi que des dégâts matériels.

⚠ **ATTENTION :** Ne recouvrez pas le boîtier de cuisson, l'égouttoir jetable ni le bac de récupération des graisses amovible avec du papier aluminium.

INSPECTION DU TUYAU

Le tuyau devrait être régulièrement inspecté afin de détecter tout signe de fissure (2).

⚠ **MISE EN GARDE :** Vérifiez le tuyau avant chaque utilisation du grill afin de détecter les entailles, les fissures, les abrasions ou les coupures. Si le tuyau s'avère détérioré de quelque manière que ce soit, n'utilisez pas le grill. Remplacez le tuyau en utilisant uniquement un tuyau de rechange agréé par WEBER. Contactez le Représentant du Service clientèle le plus proche à l'aide des coordonnées à votre disposition sur notre site Internet. Connectez-vous sur www.weber.com.



METHODS POUR L'ALLUMAGE DU BRULEUR

Il existe deux façons d'allumer le brûleur. La première consiste à utiliser le dispositif d'allumage intégré à votre grill. La seconde s'effectue à l'aide d'une allumette.

Vous trouverez ci-après les étapes pour l'allumage de votre grill à l'aide du dispositif d'allumage. Sur la page suivante, vous trouverez les étapes pour l'allumage de votre grill à l'aide d'une allumette.

Vous trouverez des instructions brèves pour l'allumage sur le pied du chariot au-dessous des boutons de commande du brûleur.

ALLUMAGE DU BRULEUR Dispositif d'allumage électronique

Le dispositif d'allumage électronique allume le brûleur à l'aide d'une étincelle en provenance de l'électrode de l'allumeur à l'intérieur de la chambre d'allumage Gas Catcher™. C'est vous qui générez l'énergie de l'étincelle en enfonçant le bouton de l'allumeur. Vous entendrez l'allumeur émettre un déclic.

A) Ouvrez le couvercle du grill (1).

⚠ DANGER

Le fait de ne pas ouvrir le couvercle avant d'allumer le brûleur du grill, ou de ne pas patienter cinq minutes pour laisser le gaz se dissiper si le grill ne s'allumait pas, risque d'entraîner un embrasement explosif susceptible de provoquer des blessures graves voire un décès.

B) Assurez-vous que **TOUS** les boutons de commande du brûleur sont éteints (2). Vérifiez en enfonçant les boutons de commande du brûleur et en les tournant dans le sens des aiguilles d'une montre jusqu'à ce qu'ils s'arrêtent.

⚠ **MISE EN GARDE** : Les boutons de commande du brûleur doivent être en position d'arrêt (○) avant que vous tourniez la valve du réservoir de PL. Si elles ne sont pas en position d'arrêt (○) lorsque vous ouvrez la valve du réservoir de PL, la fonction de "contrôle du débit de gaz en excès" s'active, limitant ainsi le débit de gaz en provenance du réservoir de PL. Si cela se produisait, fermez la valve du réservoir de PL ainsi que les boutons de commande du brûleur. Recommencez.

⚠ DANGER

Lorsque la fonction de "contrôle du débit de gaz en excès" est activée, une petite quantité de gaz s'écoule toujours en direction des brûleurs. Après avoir fermé la valve du réservoir de PL et les boutons de commande du brûleur, patientez au moins cinq minutes pour laisser le gaz se dissiper avant de tenter d'allumer le grill. Le non respect de cette consigne risque d'entraîner un embrasement explosif, susceptible de provoquer des blessures graves voire un décès.

- C) Ouvrez la vanne du réservoir GPL en la tournant dans le sens anti-horaire, puis attendez 60 secondes (3).
- D) Allumez le brûleur extérieur en poussant le gros bouton de commande et en le tournant dans le sens inverse des aiguilles d'une montre jusqu'à la position (⚡) (4).
- E) Enfoncez puis maintenez enfoncé le bouton de l'allumeur (5). Vous entendrez l'allumeur émettre un déclic.
- F) Vérifiez si le brûleur est allumé en regardant à travers les grilles de cuisson. Vous devriez voir une flamme.

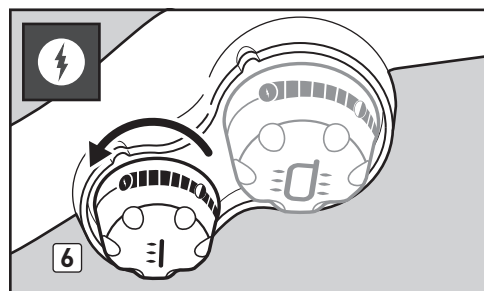
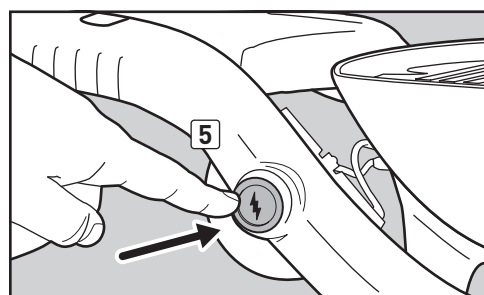
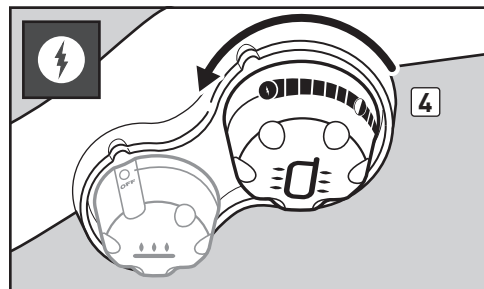
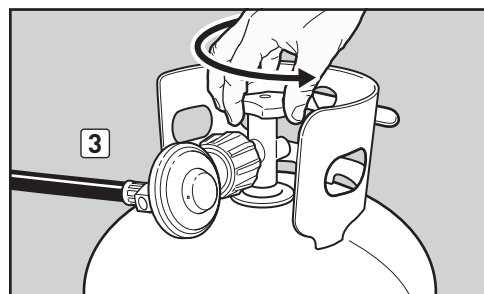
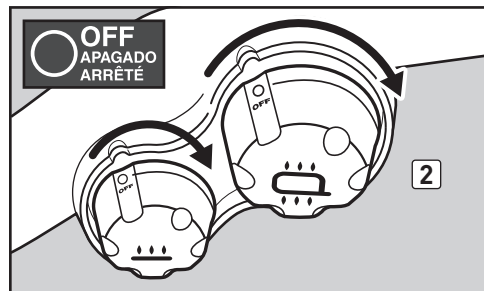
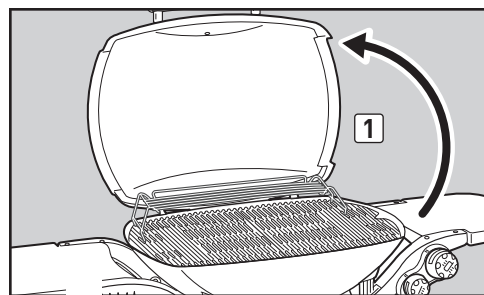
⚠ **MISE EN GARDE** : Lorsque vous allumez le grill ou que vous cuisinez, ne vous penchez jamais au-dessus d'un grill ouvert.

⚠ **MISE EN GARDE** : Si le brûleur ne s'allume pas sous cinq secondes, arrêtez, positionnez le bouton de commande du brûleur sur arrêt puis patientez cinq minutes afin de laisser le gaz se dissiper avant d'essayer à nouveau ou de l'allumer à l'aide d'une allumette.

- G) Après avoir allumé le brûleur extérieur, vous pouvez allumer le brûleur intérieur. Poussez le petit bouton de commande et tournez le jusqu'à la position (⚡) démarrage/haut (6). Le brûleur intérieur sera alors allumé par le brûleur extérieur.

POUR ETEINDRE LE BRULEUR

Enfoncez chacun des boutons de commande du brûleur puis tournez-le dans le sens des aiguilles d'une montre vers la position d'arrêt (○). Fermez l'arrivée de gaz à la source.



Certaines piles sont protégées par un emballage plastique. Ce plastique doit être retiré avant de tenter d'allumer votre grill. Ne confondez pas ce plastique avec l'étiquette de la pile.

ALLUMAGE DU BRULEUR ET UTILISATION

ALLUMAGE DU BRULEUR

Allumage à l'aide d'une allumette

A) Ouvrez le couvercle du grill (1).

⚠ DANGER

Le fait de ne pas ouvrir le couvercle avant d'allumer le brûleur du grill, ou de ne pas patienter cinq minutes pour laisser le gaz se dissiper si le grill ne s'allumait pas, risque d'entraîner un embrasement explosif susceptible de provoquer des blessures graves voire un décès.

B) Assurez-vous que **TOUS** les boutons de commande du brûleur sont éteints (2). Vérifiez en enfonçant les boutons de commande du brûleur et en les tournant dans le sens des aiguilles d'une montre jusqu'à ce qu'ils s'arrêtent.

⚠ MISE EN GARDE : Les boutons de commande du brûleur doivent être en position d'arrêt (○) avant que vous tourniez la valve du réservoir de PL. Si elles ne sont pas en position d'arrêt (○) lorsque vous ouvrez la valve du réservoir de PL, la fonction de "contrôle du débit de gaz en excès" s'active, limitant ainsi le débit de gaz en provenance du réservoir de PL. Si cela se produisait, fermez la valve du réservoir de PL ainsi que les boutons de commande du brûleur. Recommencez.

⚠ DANGER

Lorsque la fonction de "contrôle du débit de gaz en excès" est activée, une petite quantité de gaz s'écoule toujours en direction des brûleurs. Après avoir fermé la valve du réservoir de PL et les boutons de commande du brûleur, patientez au moins cinq minutes pour laisser le gaz se dissiper avant de tenter d'allumer le grill. Le non respect de cette consigne risque d'entraîner un embrasement explosif, susceptible de provoquer des blessures graves voire un décès.

C) Ouvrez la vanne du réservoir GPL en la tournant dans le sens anti-horaire, puis attendez 60 secondes (3).

D) Allumez une allumette et mettez la flamme sous le trou d'allumage pour allumette (4). Tout en tenant l'allumette allumée, allumez le brûleur extérieur en poussant le gros bouton de commande vers l'intérieur et en le tournant dans le sens inverse des aiguilles d'une montre jusqu'à la position (♠) « démarrage/haut » (5).

E) Vérifiez si le brûleur est allumé en regardant à travers les grilles de cuisson. Vous devriez voir une flamme.

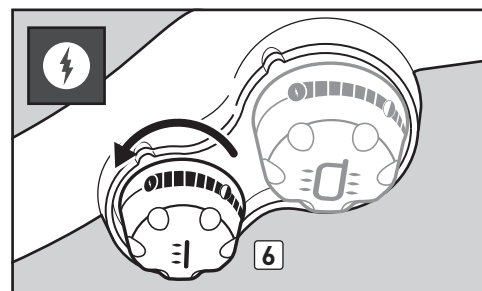
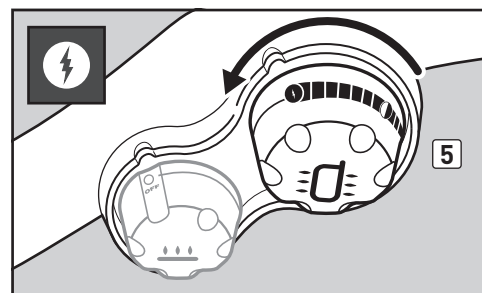
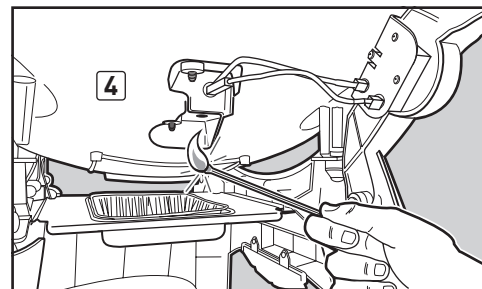
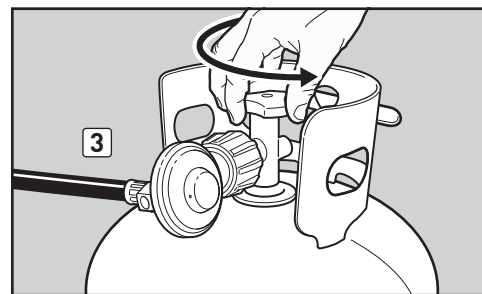
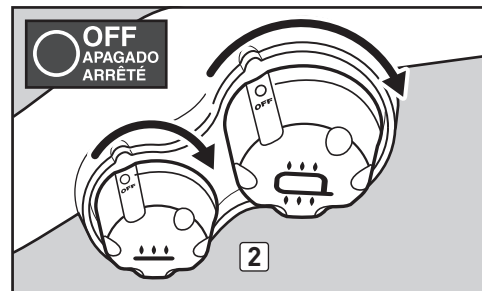
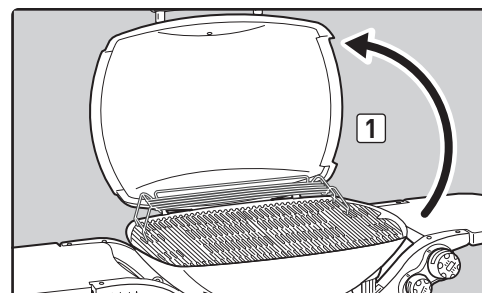
⚠ MISE EN GARDE : Ne vous penchez pas au-dessus du grill ouvert pendant l'allumage. Maintenez le visage et le corps à au moins 12 po (30 cm) d'écart par rapport au trou d'allumage à l'aide d'une allumette lorsque vous allumez le grill.

⚠ MISE EN GARDE : Si le brûleur ne s'allume pas sous cinq secondes, arrêtez, positionnez le bouton de commande du brûleur sur arrêt puis patientez cinq minutes afin de laisser le gaz se dissiper avant d'essayer à nouveau ou de l'allumer à l'aide d'une allumette.

F) Après que le brûleur extérieur soit allumé, vous pouvez allumer le brûleur intérieur. Enfoncez le petit bouton de commande vers l'intérieur et tournez le jusqu'à la position (♠) « démarrage/haut » (6). Le brûleur intérieur sera alors allumé par le brûleur extérieur.

POUR ETEINDRE LE BRULEUR

Enfoncez chacun des boutons de commande du brûleur puis tournez-le dans le sens des aiguilles d'une montre vers la position d'arrêt (○). Fermez l'arrivée de gaz à la source.



CONSEILS & ASTUCES

- Préchauffez toujours le grill avant la cuisson. Réglez le(s) brûleur(s) sur température élevée puis fermez le couvercle ; préchauffez pendant 10 à 15 minutes.
- La température de votre grill à gaz peut s'élever davantage que lors d'un fonctionnement normal au cours des premières utilisations.
- Les durées de grillade fournies dans les recettes sont basées sur des températures extérieures de 70°F (21°C) et avec peu voire pas de vent. Laissez les aliments cuire plus longtemps lorsque les journées sont froides ou venteuses, ou lorsque l'altitude est plus élevée. Laissez les aliments cuire moins longtemps lorsque le temps est extrêmement chaud.
- Les conditions de grillade peuvent nécessiter un ajustement des boutons de commande du brûleur afin d'atteindre les températures de cuisson correctes.
- Saisissez les viandes et cuisez avec le couvercle fermé pour obtenir des aliments parfaitement grillés à chaque fois.
- Le fait d'entasser les aliments sur une grille de cuisson signifie qu'une durée de cuisson plus longue sera nécessaire pour cuire les aliments.
- Retirez l'excès de matière grasse des steaks, des côtes et des rôtis, et ne laissez pas plus de ¼ de pouce (6,4 mm) de matière grasse. Le fait qu'il y ait moins de matière grasse rend le nettoyage plus facile, et cela constitue presque une garantie contre les embrasements indésirables.
- En général, les gros morceaux de viande nécessitent une durée de cuisson plus longue par livre (kilo) par rapport aux petits morceaux de viande.
- Certains aliments, comme les plats mijotés ou les filets fins de poisson, nécessitent l'utilisation d'un récipient pour la grillade. Les plats jetables en aluminium sont très pratiques, mais

tout type de plat métallique ayant des poignées qui résistent au four peut également être utilisé.

- Les aliments dans des récipients, comme les haricots, nécessitent une durée de grillade plus longue dans un plat profond par rapport au temps nécessaires si vous utilisez un plat à grillade peu profond.
- Utilisez des pinces plutôt qu'une fourchette pour retourner et manipuler la viande afin d'éviter de perdre les jus naturels. Utilisez deux spatules pour manipuler des poissons entiers de grande taille.
- Assurez-vous toujours que le boîtier de cuisson et l'égouttoir jetable sont propres et qu'ils ne contiennent aucun débris.
- Ne couvrez pas le boîtier de cuisson avec du papier aluminium. Ceci risquerait d'empêcher la graisse de s'écouler vers l'égouttoir jetable.
- En cas d'embrasement indésirable, éteignez le(s) brûleur(s) puis déplacez les aliments vers une autre zone de la grille de cuisson. Toute flamme résiduelle devrait rapidement disparaître. Une fois les flammes éteintes, rallumez le grill. **N'UTILISEZ JAMAIS D'EAU POUR ÉTEINDRE DES FLAMMES SUR UN GRILL À GAZ.**
- L'utilisation d'un minuteur vous permettra d'être averti lorsque "bien cuit" sera sur le point de devenir "trop cuit".
- Une légère couche d'huile aidera à faire dorer les aliments de façon uniforme et les empêchera de coller à la grille de cuisson. Brossez ou aspergez toujours l'huile sur vos aliments, pas directement sur la grille de cuisson.
- Lorsque vous utilisez une marinade, une sauce ou un glaçage à haute teneur en sucre ou tout autre aliment qui brûle facilement, badigeonnez les aliments uniquement pendant les 5 à 10 dernières minutes du barbecue.

PRECHAUFFAGE

Il est important de préchauffer le grill avant de commencer les grillades. Pour préchauffer : Allumez votre grill conformément aux instructions du présent Mode d'emploi ; ensuite, positionnez le(s) brûleur(s) sur la position démarrer/élevé (*), fermez le couvercle et préchauffez le grill. Ceci va prendre 10 à 15 minutes en fonction de conditions comme la température ambiante et le vent. Après le préchauffage, vous pouvez ajuster le(s) brûleur(s) selon vos souhaits.

⚠ MISE EN GARDE : Si le(s) brûleur(s) s'éteint/s'éteignent alors que le grill est en fonctionnement, fermez le bouton/tous les boutons de commande du brûleur/des brûleurs. Ouvrez le couvercle et patientez cinq minutes avant de tenter de rallumer le grill, en utilisant les instructions pour l'allumage.

CUISSON COUVERTE

Toute la grillade est effectuée avec le couvercle fermé afin d'assurer une circulation uniforme et homogène de la chaleur. Avec le couvercle fermé, le grill à gaz cuit d'une manière qui ressemble beaucoup à la cuisson dans un four à convection. Le thermomètre dans le couvercle, une fonctionnalité de certains de nos grills, indique la température à l'intérieur du grill. La totalité du préchauffage et des grillades s'effectue avec le couvercle fermé. Ne regardez pas — le grill perd de la chaleur à chaque fois que vous soulevez le couvercle.

DISPOSITIF DE RECUPERATION DES GRAISSES

La conception unique de la grille de cuisson propose des rails en fonte de fer avec angles qui renvoient les gouttes loin du/des tube(s) du brûleur, empêchant ainsi tout embrasement susceptible de carboniser les aliments. Le reste des gouttes tombe dans un bac de récupération des graisses amovible qui se glisse facilement vers l'extérieur pour le nettoyage.











Pour plus d'astuces et de recettes pour vos grillades, visitez www.weber.com.

METHODES DE CUISSON

METHODE DIRECTE OU METHODE INDIRECTE ?

La chose la plus importante à savoir à propos des grillades c'est quelle méthode de cuisson utiliser pour un aliment spécifique, directe ou indirecte. La différence est simple. Avec la méthode directe, qui est similaire à la grillade dans un four, les aliments sont cuits directement au-dessus du feu. Avec la méthode indirecte, le feu est disposé de chaque côté des aliments. La méthode indirecte est similaire au rôtissage, mais avec les avantages supplémentaires de cette texture grillée, de cette saveur et de cet aspect que vous ne pourrez pas obtenir avec une cuisson au four. L'utilisation de la bonne méthode est le chemin le plus court pour obtenir d'excellents résultats — et la meilleure manière de garantir une cuisson en toute sécurité.

Avec chacune de ces méthodes, vous pouvez ajuster les brûleurs selon vos souhaits. Les réglages des commandes — ELEVE, MOYEN, FAIBLE ou ARRÊTE — sont décrits dans le tableau à droite. Par exemple, pour saisir des steaks, réglez les deux brûleurs sur ELEVE, puis pour terminer la cuisson, réglez les deux brûleurs sur FAIBLE. Pour de formidables inspirations pour vos grillades, consultez www.weber.com/recipes.

METHODE DE CUISSON & UTILISATIONS	REGLAGE DE LA COMMANDE DU BRULEUR INTERNE	REGLAGE DE LA COMMANDE DU BRULEUR EXTERNE
PRECHAUFFAGE	 ELEVE	 ELEVE
DIRECTE LENTE Morceaux de poulet, saucisses	 FAIBLE	 FAIBLE
SAISIE Steak et morceaux qui doivent être saisis <i>Commencez par saisir les steaks épais sur une chaleur directe élevée...</i> <i>...finissez en cuisant à chaleur directe faible</i>	 ELEVE	 ELEVE
	 FAIBLE	 FAIBLE
INDIRECTE Petit poulet entier	 ARRÊTE	 MOYEN

DEPANNAGE GENERAL

PROBLEMES	SOLUTIONS
<p>Les brûleurs ne s'allument pas.</p> <p>Les brûleurs ont une petite flamme vacillante lorsque les boutons de commande des brûleurs sont positionnés sur élevé (↑).</p> <p>La température du grill atteint seulement 250° à 300° F (121° à 149° C) lorsque les boutons de commande du brûleur sont positionnés sur élevé (↑).</p>	<p>La fonction de "contrôle du débit de gaz en excès", qui fait partie du raccord grill-vers-réservoir de gaz, a peut-être été activée. Pour réinitialiser la fonction de "contrôle du débit de gaz en excès", voir "ALLUMAGE DU BRULEUR."</p> <p>⚠ DANGER : Lorsque la fonction de "contrôle du débit de gaz en excès" est activée, une petite quantité de gaz continue de circuler en direction des brûleurs. Après avoir fermé la valve du réservoir de PL et les boutons de commande du brûleur, patientez au moins cinq minutes pour laisser le gaz se dissiper avant de tenter d'allumer le grill. Le non respect de cette consigne risque de provoquer un embrasement explosif, susceptible de provoquer des blessures graves voire un décès.</p>
<p>Le brûleur ne s'allume pas lorsque vous enfoncez le bouton de l'allumeur.</p>	<p>Assurez-vous que du gaz circule en direction des brûleurs en tentant d'allumer vos brûleurs à l'aide d'une allumette. Voir "ALLUMAGE DU BRULEUR — Allumage à l'aide d'une allumette." Si l'allumage à l'aide d'une allumette réussit, cela signifie que le problème provient du dispositif d'allumage. Voir "MAINTENANCE DU DISPOSITIF D'ALLUMAGE ELECTRONIQUE."</p> <p>Assurez-vous que les câbles sont correctement insérés à l'intérieur des terminaux sur l'assemble de l'électrode de l'allumeur. Vérifiez si les câbles sont connectés aux terminaux sur le module de l'allumeur électronique. Voir "MAINTENANCE DU DISPOSITIF D'ALLUMAGE ELECTRONIQUE."</p> <p>Si une pile neuve a été mise en place, confirmez que l'emballage plastique a été retiré. Vérifiez que la pile est en bon état et qu'elle a été installée correctement. Voir "MAINTENANCE DU DISPOSITIF D'ALLUMAGE ELECTRONIQUE."</p>
<p>Si vous sentez une odeur de gaz ou entendez un léger sifflement, le joint en caoutchouc interne dans le robinet de réservoir de propane pourrait être endommagé.</p>	<p>Éteignez toute flamme visible. Fermez l'alimentation en gaz du barbecue. Inspectez le joint en caoutchouc. S'il est endommagé, retournez le réservoir à l'endroit où vous l'avez acheté.</p>
<p>Si vous sentez une odeur de gaz ou entendez un léger sifflement, la connexion entre le régulateur et le réservoir d'essence peut être inadéquate.</p>	<p>Éteignez toute flamme visible. Fermez l'alimentation en gaz du barbecue. Consultez les sections de votre manuel du propriétaire qui portent sur l'installation et la désinstallation du réservoir de propane liquide, ainsi que sur la préparation à l'utilisation du barbecue.</p>
<p>Le brûleur ne s'allume pas, ou la flamme est faible lorsque le bouton de commande du brûleur est positionné sur élevé (↑).</p>	<p>Le réservoir de PL pourrait être peu remplie voire vide. Remplissez à nouveau du réservoir de PL.</p> <p>Le tuyau de combustible pourrait être plié ou pincé. Redressez le tuyau de combustible.</p>
<p>La forme de la flamme du brûleur est irrégulière.</p> <p>La flamme est faible lorsque le bouton de commande du brûleur est positionné sur élevé (↑).</p> <p>Les flammes ne courent pas sur toute la longueur du tube du brûleur.</p>	<p>Nettoyez les ports du brûleur situés sur toute la longueur du tube du brûleur. Voir "MAINTENANCE ANNUELLE."</p>
<p>Les brûleurs brûlent avec une flamme jaune ou orange, en association avec une odeur de gaz.</p>	<p>Inspectez les grilles anti-araignées/insectes afin de détecter des obstructions éventuelles. (Blocage des trous.) Nettoyez les grilles anti-araignées/insectes. Voir "MAINTENANCE ANNUELLE."</p>
<p>Des embrasements se produisent.</p> <p>⚠ ATTENTION : Ne couvrez pas le boîtier de cuisson avec du papier aluminium.</p>	<p>Le grill doit être préchauffé avec tous les brûleurs réglés sur élevé pendant 10 à 15 minutes.</p> <p>Nettoyez les grilles de cuisson de manière approfondie afin d'éliminer la graisse. Voir "NETTOYAGE DE L'INTERIEUR DU GRILL."</p> <p>Le boîtier de cuisson est peut-être sale et il ne laisse peut-être pas la graisse s'écouler vers le bac de récupération amovible. Nettoyez le boîtier de cuisson. Voir "NETTOYAGE DE L'INTERIEUR DU GRILL."</p>
<p>L'intérieur du couvercle semble "s'écailler." (Ressemble à de la peinture qui s'écaille.)</p>	<p>L'intérieur du couvercle est composé de fonte aluminium. Il n'est pas peint. Il ne peut pas s'écailler. Ce que vous voyez c'est de la graisse carbonisée qui s'envole sous forme de flocons. CE N'EST PAS UN DEFAULT. Nettoyez l'intérieur du couvercle de manière approfondie. Voir "NETTOYAGE DE L'INTERIEUR DU GRILL."</p>

Si les problèmes ne peuvent pas être corrigés en utilisant ces méthodes, veuillez contacter le Représentant du Service clientèle le plus proche à l'aide des coordonnées à votre disposition sur notre site Internet. Connectez-vous sur www.weber.com.

CONSERVER VOTRE GRILL WEBER EN PARFAIT ÉTAT

⚠ DANGER

Le fait de ne pas corriger l'un des problèmes décrits sur cette page peut provoquer un incendie, ce qui est susceptible d'entraîner des blessures graves voire un décès ainsi que provoquer des dégâts matériels.

Afin que votre grill à gaz WEBER demeure aussi sûr et efficace qu'au premier jour, nous vous recommandons fortement d'inspecter et de nettoyer la ou les grille(s) anti-araignées/insectes ainsi que les tubes du brûleur au moins une fois par an. Vous trouverez ci-dessous des informations importantes sur ces deux zones du grill qui devraient faire l'objet d'un entretien annuel.

Si vous observez une forme de flamme incorrecte ou si vous voyez qu'un des ports du brûleur est obstrué, suivez les instructions intitulées "NETTOYAGE OU REMPLACEMENT DU TUBE DU BRÛLEUR" à la page suivante.

FORME DE LA FLAMME DU BRÛLEUR

Le(s) tube(s) du brûleur à l'intérieur de votre grill à gaz WEBER est/ont été paramétré(s) en usine afin d'accepter un mélange correct de gaz et d'air. La forme correcte de flamme est présentée sur l'illustration et elle est décrite ci-dessous :

- Tube(s) du brûleur (1)
- Les extrémités vacillent occasionnellement en jaune (2)
- Bleu clair (3)
- Bleu foncé (4)

Vérifiez la forme de la flamme du brûleur. Si les flammes ne correspondent pas à la description ci-dessus, cela pourrait être une indication que la ou les grille(s) anti-araignées/insectes sont encrassées ou obstruées.

GRILLE(S) ANTI-ARAIGNÉES/INSECTES WEBER

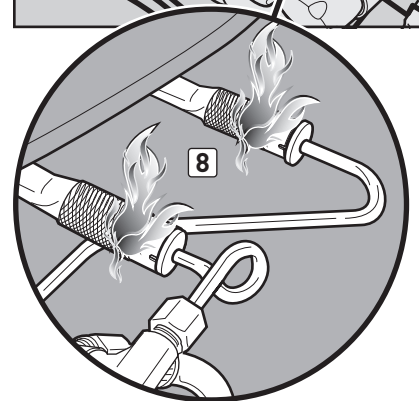
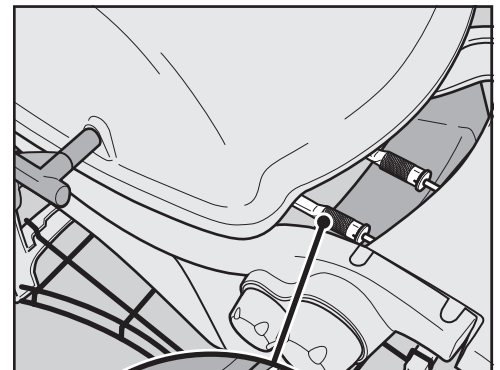
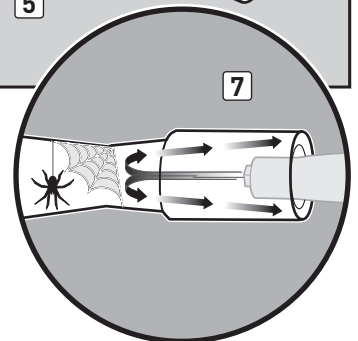
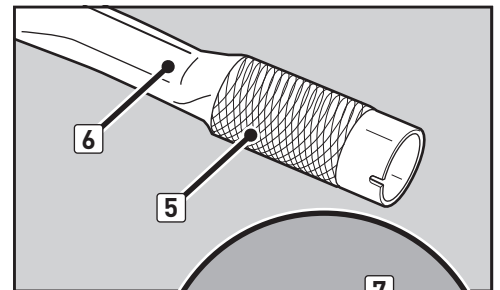
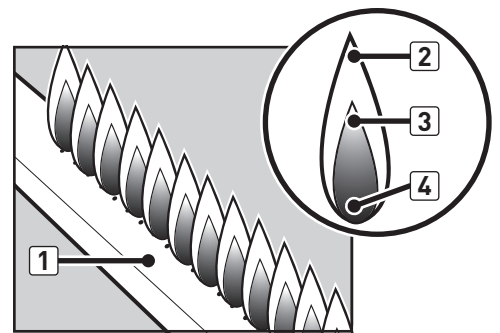
La ou les ouverture(s) permettant le passage de l'air nécessaire à la combustion au niveau du ou des tube(s) du brûleur (5) est/sont équipés d'une ou plusieurs grilles en acier inoxydable afin d'empêcher les araignées et les autres insectes de tisser des toiles et de construire des nids à l'intérieur des aérations (6) du/des tube(s) du brûleur. Ces nids peuvent faire obstacle à la circulation normale du gaz, et ils peuvent provoquer un reflux du gaz à travers la ou les ouverture(s) permettant le passage de l'air nécessaire à la combustion (7). Les symptômes de ce type d'obstruction incluent une odeur de gaz associée à des flammes du brûleur qui semblent jaunes et faibles. Cette obstruction risquerait d'entraîner un incendie (8) à l'intérieur et autour de la ou des valve(s) de gaz, et cela provoquerait de graves dégâts pour votre grill.

REMARQUE : Si une grille anti-araignées/insectes est détériorée ou si elle ne peut pas être nettoyée, veuillez contacter le Représentant du Service clientèle le plus proche à l'aide des coordonnées à votre disposition sur notre site Internet. Connectez-vous sur www.weber.com.

PORTS DU TUBE DU BRÛLEUR

Au fil du temps, en raison de l'utilisation répétée du grill, les ports du tube du brûleur s'encrassent. Des ports obstrués et sales peuvent diminuer la circulation du gaz. Voici des méthodes qui permettent de déterminer si les ports du tube du brûleur sont encrassés ou obstrués.

- Le grill n'atteint pas la température souhaitée
- Le grill ne chauffe pas uniformément
- Un ou plusieurs brûleur(s) ne s'allume(nt) pas



NETTOYAGE DU TUBE DU BRULEUR OU REMPLACEMENT

Confirmez que le grill est éteint et qu'il a refroidi

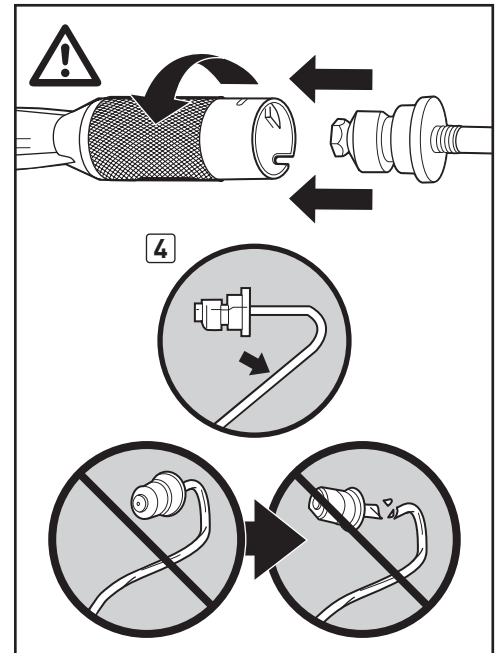
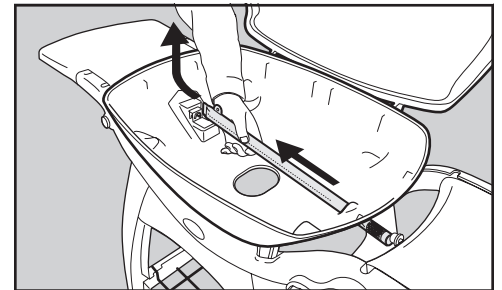
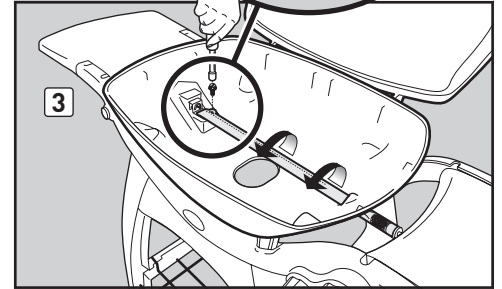
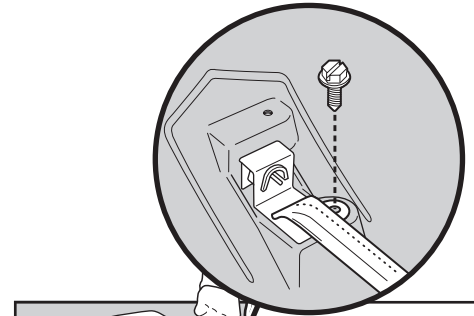
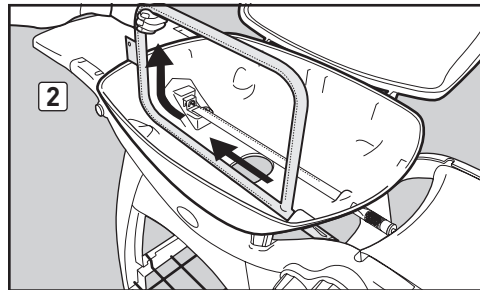
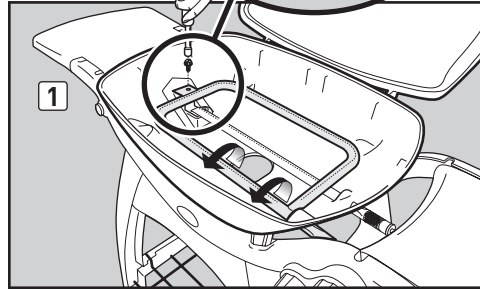
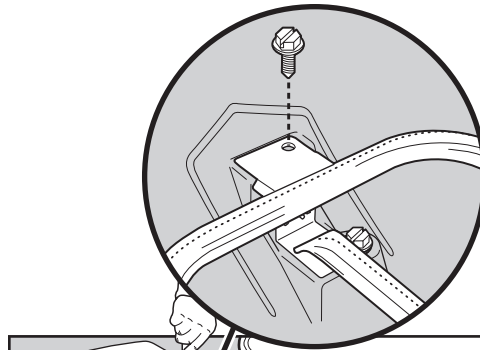
- A) Fermez l'arrivée de gaz à la source et déconnectez le raccord de gaz.
- B) Vérifiez que tous les boutons de commande du brûleur sont positionnés sur arrêt (O). Vérifiez en enfonçant les boutons de commande et en les tournant dans le sens des aiguilles d'une montre jusqu'à ce qu'ils s'arrêtent. S'ils ne tournent pas, c'est qu'ils sont déjà en position d'arrêt. S'ils tournent, continuez à les tourner dans le sens des aiguilles d'une montre jusqu'à ce qu'ils s'arrêtent ; ils sont alors en position d'arrêt.
- C) Ouvrez le couvercle et retirez les grilles de cuisson.

Retirez les tubes du brûleur

Il vous faudra : Une clé de 3/8".

- A) Retirez la vis qui maintient le tube du brûleur externe contre le boîtier de cuisson **(1)**.
- B) Faites pivoter le tube du brûleur extérieur de 90°. Faites glisser et soulevez le tube du brûleur pour l'éloigner de l'orifice de la valve et retirez-le du boîtier de cuisson **(2)**.
- C) Répétez cette procédure pour le tube du brûleur intérieur **(3)**.

⚠ ATTENTION : Il convient de faire preuve de prudence lorsque vous retirez ou que vous réinstallez les tubes du brûleur. Ne forcez pas ou ne pliez pas les conduites de gaz qui relient les valves de commande aux tubes du brûleur (4).



Nettoyez les tubes du brûleur

Il vous faudra : Une lampe torche, un fil de fer (un cintre déplié), une brosse adaptée en acier inoxydable, et une brosse souple (brosse à dents).

A) Regardez à l'intérieur de chacun des tubes du brûleur à l'aide d'une lampe torche (5).

B) Nettoyez tous débris ou toute obstruction se trouvant à l'intérieur des tubes du brûleur à l'aide du fil de fer (6).

C) Vérifiez les grilles anti-araignées/anti-insectes aux extrémités des tubes du brûleur et nettoyez-les à l'aide de la brosse souple (7).

⚠ ATTENTION : Ne nettoyez pas les grilles anti-araignées/insectes à l'aide d'outils rigides ou aiguisés. Ne démontez pas les grilles anti-araignées/anti-insectes ou n'élargissez pas les ouvertures des grilles.

D) Utilisez la brosse souple pour nettoyer l'extérieur des tubes du brûleur. Cela sert à s'assurer que tous les ports du brûleur (ouvertures) situés le long des tubes du brûleur sont complètement ouverts (8).

⚠ ATTENTION : N'élargissez pas les ports du brûleur pendant le nettoyage.

Réinstallez les tubes du brûleur

Il vous faudra : Une clé de 3/8".

A) Faites glisser avec prudence le tube du brûleur intérieur à l'intérieur du trou du côté droit du boîtier de cuisson (9), en alignant l'ouverture du tube du brûleur avec l'orifice de la valve (10).

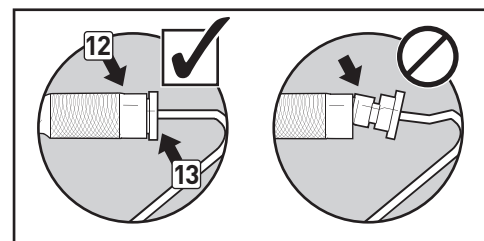
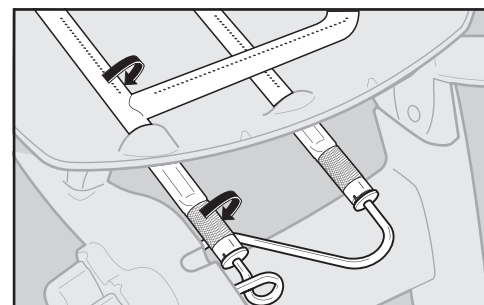
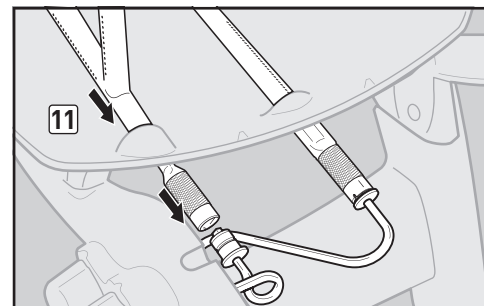
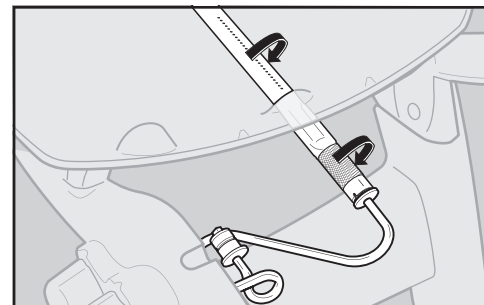
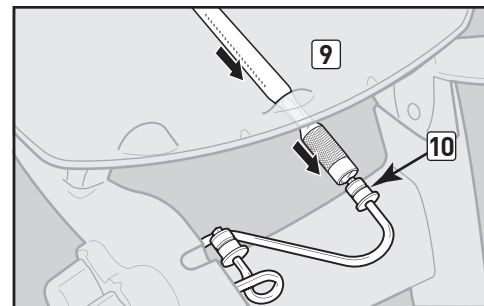
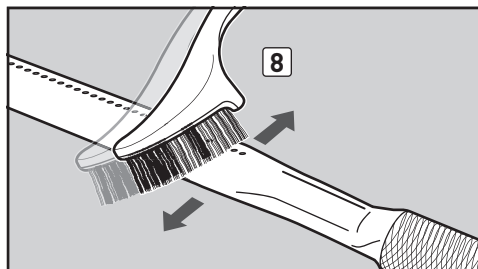
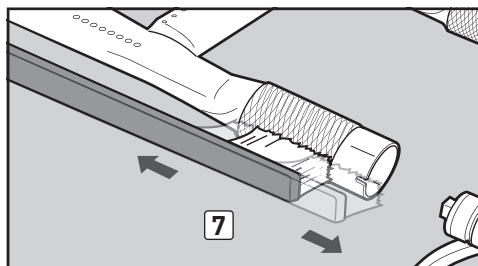
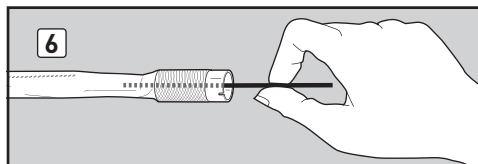
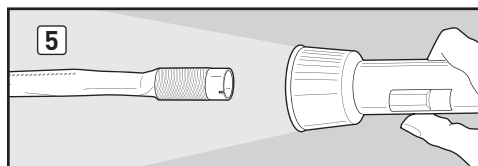
B) Réinstallez la vis qui maintient le tube du brûleur intérieur contre le boîtier de cuisson.

C) Répétez cette procédure pour le tube du brûleur externe (11).

⚠ ATTENTION : Les ouvertures du tube du brûleur (12) doivent être positionnées correctement au-dessus des orifices de la valve (13).

⚠ MISE EN GARDE : Vous devriez effectuer un contrôle de détection des fuites à chaque fois que vous débranchez puis rebranchez un raccord de gaz. Voir DETECTION DES FUITES DE GAZ.

D) Remettez en place les composants du boîtier de cuisson (non illustré).



MAGNIFIQUE—DEDANS COMME DEHORS

Les propriétaires de grills WEBER sont très fiers de leurs grills. Entretenez votre fierté et votre joie. Maintenez votre grill propre et magnifique — à l'intérieur comme à l'extérieur - en suivant ces étapes de maintenance de routine.

NETTOYAGE DE L'EXTERIEUR DU GRILL

Pour maintenir un aspect extérieur optimal de votre grill, suivez les conseils ci-après pour un nettoyage en toute sécurité.

⚠ MISE EN GARDE : Eteignez votre grill à gaz WEBER puis laissez-le refroidir avant de le nettoyer.

Surfaces peintes, émaillées et en plastique

Utilisez une solution d'eau savonneuse tiède pour nettoyer les surfaces extérieures ; ensuite, rincez à l'eau.

IMPORTANT : N'utilisez pas de détergents contenant de l'acide, des alcools minéraux ou du xylène. N'utilisez pas de nettoyant pour four, de nettoyants abrasifs (détergents pour cuisine), de nettoyants qui contiennent des produits à base d'agrumes ou de tampons à récurer abrasifs sur les surfaces du grill ou du chariot.

Les tablettes rabattables ne doivent pas être utilisées en tant que planches à découper.

NETTOYAGE DE L'INTERIEUR DU GRILL

Pour maintenir votre grill en état de fonctionnement sûr et efficace, il est important de retirer la totalité des débris et des accumulations de matières grasses susceptibles de se trouver à l'intérieur du grill. Utilisez les recommandations suivantes pour un nettoyage en toute sécurité.

Intérieur du couvercle

La graisse accumulée, se détache en flocons et cela ressemble à de la peinture qui s'écaille. Essuyez l'intérieur du couvercle à l'aide d'une serviette en papier afin d'empêcher toute accumulation de matière grasse. Lavez l'intérieur du couvercle à l'aide d'une solution d'eau savonneuse puis rincez à l'eau claire.

Composants du boîtier de cuisson & tubes du brûleur

Il vous faudra : Une brosse souple en acier inoxydable, et un grattoir en plastique rigide.

A) Grattez et brossez les grilles de cuisson à l'aide du grattoir et de la brosse. Retirez les grilles de cuisson et mettez-les de côté.

⚠ ATTENTION : Les brosses du grill devraient être vérifiées régulièrement afin de détecter les brins qui se détachent et l'usure excessive. Remplacez la brosse si des brins se détachent ou si vous en trouvez sur les grilles de cuisson. WEBER recommande d'acheter une brosse pour grill en acier inoxydable neuve au début de chaque printemps.

⚠ ATTENTION : Ne nettoyez pas les grilles de cuisson dans un four auto-nettoyant.

- B) Brossez tous les débris afin de les faire sortir des tubes du brûleur. N'élargissez pas les ports du brûleur (ouvertures) le long du tube du brûleur (1).
- C) Une fois le nettoyage terminé, remettez les grilles de cuisson en place.

Boîtier de cuisson

Lavez l'intérieur du boîtier de cuisson à l'aide d'une solution d'eau savonneuse puis rincez à l'eau claire.

Bac de récupération des graisses amovible et égouttoir jetable

Votre grill a été conçu à la conception d'un dispositif de récupération des matières grasses, qui canalise la graisse afin de l'éloigner des aliments, vers un bac de récupération amovible. Pour que cela soit plus pratique encore, vous pouvez également recouvrir le bac de récupération amovible d'un égouttoir jetable WEBER, ce qui contribuera à maintenir plus longtemps la propreté du bac de récupération des graisses amovible.

Le nettoyage du bac de récupération des graisses amovible est tout aussi important que le nettoyage du boîtier de cuisson. Vérifiez le bac de récupération des graisses amovible afin de détecter toute accumulation de matière grasse à chaque fois que vous utilisez votre grill. Retirez tout excès de matière grasse à l'aide d'un grattoir en plastique (2). Lavez l'égouttoir jetable à l'aide d'une solution d'eau savonneuse puis rincez à l'eau claire.

⚠ AVERTISSEMENT : Faire preuve de prudence, retirer avec précaution le bac de récupération et se débarrasser des graisses chaudes.

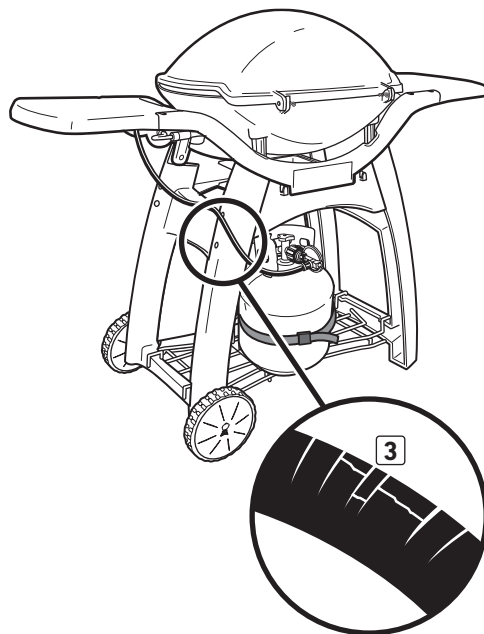
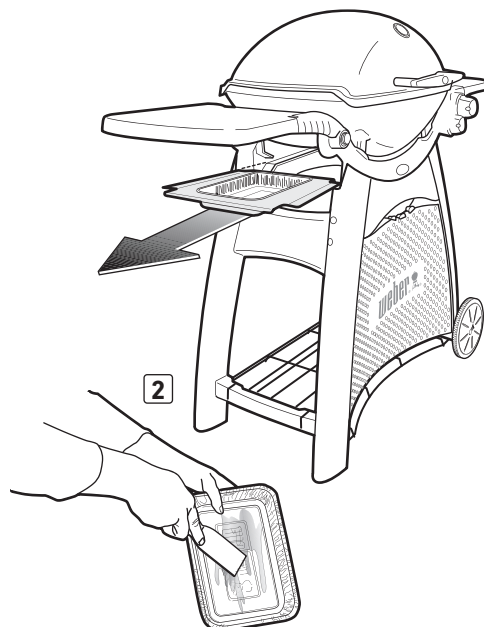
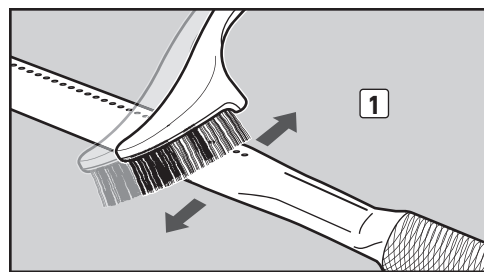
⚠ MISE EN GARDE : Vérifiez l'égouttoir jetable ou le bac de récupération des graisses amovible afin de détecter toute accumulation de matière grasse avant chaque utilisation. Retirez tout excès de matière grasse afin d'éviter un embrasement de la matière grasse. Un feu de matière grasse risquerait de provoquer des blessures graves ainsi que des dégâts matériels.

⚠ ATTENTION : Ne recouvrez pas le boîtier de cuisson, l'égouttoir jetable ni le bac de récupération des graisses amovible avec du papier aluminium.

INSPECTION DU TUYAU

Le tuyau devrait être régulièrement inspecté afin de détecter tout signe de fissure (3).

⚠ MISE EN GARDE : Vérifiez le tuyau avant chaque utilisation du grill afin de détecter les entailles, les fissures, les abrasions ou les coupures. Si le tuyau s'avère détérioré de quelque manière que ce soit, n'utilisez pas le grill. Remplacez le tuyau en utilisant uniquement un tuyau de rechange agréé par WEBER. Contactez le Représentant du Service clientèle le plus proche à l'aide des coordonnées à votre disposition sur notre site Internet. Connectez-vous sur www.weber.com.



Pour obtenir des égouttoirs jetables de rechange et des grilles de cuisson, veuillez contacter le revendeur le plus proche ou connectez-vous sur www.weber.com. Si vous avez besoin de davantage d'assistance, veuillez contacter notre Représentant du Service clientèle.

UTILISATION DU DISPOSITIF D'ALLUMAGE

L'allumeur envoie une étincelle vers l'assemblage de l'électrode de l'allumeur. Que vous soyez en train d'effectuer une maintenance de routine ou un contrôle dans le cadre d'un dépannage du dispositif d'allumage, lisez ce qui suit afin de maintenir votre dispositif d'allumage en bon état de fonctionnement.

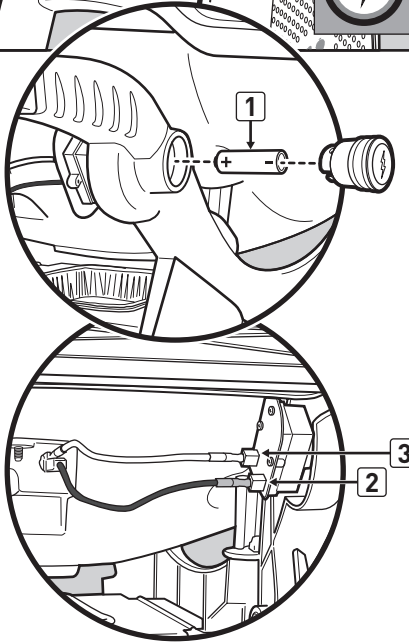
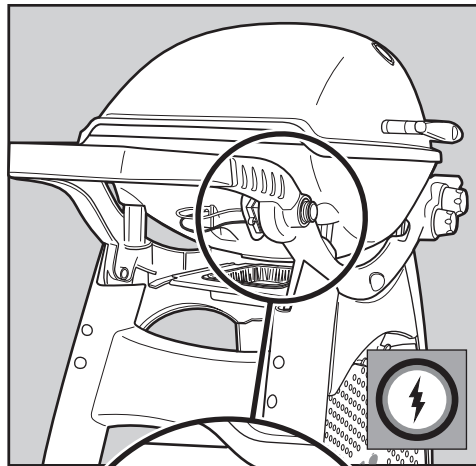
⚠ MISE EN GARDE : La totalité des commandes du gaz et des valves d'alimentation devrait être en position d'arrêt (OFF).

Si l'allumeur n'allume pas votre Q grill, vous devrez localiser où le problème se produit : au niveau de la circulation du gaz ou au niveau du dispositif d'allumage. Commencez par essayer d'allumer votre brûleur à l'aide d'une allumette. Voir "ALLUMAGE DU BRÛLEUR—Allumage à l'aide d'une allumette." Si l'allumage à l'aide d'une allumette réussit, cela signifie que le problème se situe au niveau du dispositif d'allumage.

MAINTENANCE DU DISPOSITIF D'ALLUMAGE ÉLECTRONIQUE

- Vérifiez que la pile AAA (alcaline uniquement) est en bon état et qu'elle est correctement installée (1). Certaines piles sont couvertes par un emballage plastique de protection. Ce plastique doit être retiré avant d'installer la pile. Ne confondez pas ce plastique avec l'étiquette de la pile.
- Assurez-vous que les deux câbles de l'allumeur sont reliés correctement au module de l'allumeur. Le câble noir sur le terminal noir (2), le câble blanc sur le terminal blanc (3).
- Assurez-vous que le bouton de l'allumeur électronique fonctionne en écoutant si un déclic est émis et en regardant si des étincelles se forment au niveau du brûleur.

Si le dispositif d'allumage électronique n'allume toujours pas le brûleur, veuillez contacter le Représentant du Service clientèle le plus proche à l'aide des coordonnées à votre disposition sur notre site Internet. Connectez-vous sur www.weber.com.



⚠ ATTENTION: This product has been safety tested and is only certified for use in a specific country. Refer to country designation located on outer carton.

These parts may be gas carrying or gas burning components. Please contact Weber-Stephen Products LLC, Customer Service Department for genuine Weber-Stephen Products LLC replacement part(s) information.

⚠ WARNING: Do not attempt to make any repair to gas carrying, gas burning, igniter components or structural components without contacting Weber-Stephen Products LLC, Customer Service Department. Your actions, if you fail to follow this Product Warning, may cause a fire, an explosion, or structural failure resulting in serious personal injury or death as well as damage to property.

⚠ ATENCIÓN: A este producto se le han realizado pruebas de seguridad y ha sido certificado para usarse en un país específico. Refiérase al país indicado en la parte externa del cartón de empaque.

Estas partes pueden ser componentes que transporten gas o lo quemen. Por favor póngase en contacto con el Departamento de Atención al Cliente de Weber-Stephen Products LLC para obtener información sobre las partes de repuesto Weber-Stephen Products LLC genuinas.

⚠ ADVERTENCIA: No trate de realizar reparación alguna a los componentes que transporten o quemen gas sin antes ponerse en contacto con el Departamento de Atención al Cliente de Weber-Stephen Products LLC. Si no llegase a acatar esta advertencia, sus acciones podrían causar un fuego o una explosión que resulte en lesiones personales serias o la muerte o daños a la propiedad.

⚠ ATTENTION : Ce produit a fait l'objet de tests de sécurité et est certifié pour une utilisation dans un pays particulier uniquement. Vérifiez la désignation de pays située sur le carton d'emballage.

Ces pièces peuvent contenir du gaz ou être des éléments dont la combustion produit du gaz. Veuillez consulter le Service clientèle de Weber-Stephen Products LLC pour des renseignements sur les pièces de rechange originales de Weber-Stephen Products LLC.

⚠ MISE EN GARDE : Ne tentez pas d'effectuer des réparations sur des éléments contenant du gaz ou sur des éléments dont la combustion produit du gaz sans contacter le service clientèle de Weber-Stephen Products LLC. Si vous ne suivez pas la présente Mise en garde relative au produit, vos actions risquent de provoquer un incendie ou une explosion entraînant des blessures physiques graves voire un décès ainsi que des dégâts matériels.



Weber-Stephen Products LLC
www.weber.com