



# GRILL OWNER'S GUIDE

NG

## YOU MUST READ THIS OWNER'S GUIDE BEFORE OPERATING YOUR GAS GRILL.

## REGISTER YOUR GRILL

Thank you for purchasing a WEBER grill. Take a few minutes to protect your investment by registering your grill online at [www.weber.com](http://www.weber.com). Reference the serial number on the front cover of this owner's guide.

### ⚠ DANGER

If you smell gas:

- 1) Shut off gas to the appliance.
- 2) Extinguish any open flames.
- 3) Open lid.
- 4) If odor continues, keep away from the appliance and immediately call your gas supplier or your fire department.

Leaking gas may cause a fire or explosion which can cause serious bodily injury, death, or damage to property.

Carefully follow all leak-check procedures in this Owner's Guide prior to grill operation. Do this even if the grill was dealer-assembled.

Do not ignite this appliance without first reading the burner ignition sections of this manual.

### ⚠ WARNING

- 1) Do not store or use gasoline or other flammable liquids or vapors in the vicinity of this or any other appliance.
- 2) An LP tank not connected for use shall not be stored in the vicinity of this or any other appliance.

**THIS GAS APPLIANCE IS DESIGNED FOR OUTDOOR USE ONLY.**

**NOTICE TO INSTALLER:** These instructions must be left with the owner, who should keep them for future use.

Before you begin



Enhance your assembly experience.

Download the free BILT™ app for 3D step-by-step instructions.



**52804**

# WARNINGS

## ⚠ DANGER

Failure to follow the DANGERS, WARNINGS and CAUTIONS contained in this Owner's Guide may result in serious bodily injury or death, or may result in a fire or an explosion causing damage to property.

### WARNINGS:

- ⚠ Improper assembly of grill may be dangerous. Please follow the assembly instructions carefully.
- ⚠ Do not use this grill unless all parts are in place. The grill must be properly assembled according to the assembly instructions.
- ⚠ Your WEBER gas grill should never be used by children. Accessible parts of the grill may be very hot. Keep young children away while grill is in use.
- ⚠ Exercise caution when using your WEBER gas grill. It will be hot during cooking or cleaning, and should never be left unattended, or moved while in operation.
- ⚠ Do not use charcoal or lava rock in your WEBER gas grill.
- ⚠ While igniting the grill or cooking, never lean over open grill.
- ⚠ Never place hands or fingers on the front edge of the cookbox when the grill is hot or the lid is open.
- ⚠ Do not attempt to disconnect any gas fitting while your grill is in operation.
- ⚠ Use heat-resistant barbecue mitts or gloves when operating grill.
- ⚠ Keep the cooking area clear of flammable vapors and liquids such as gasoline, alcohol, etc., and combustible materials.
- ⚠ Should the burners go out while grill is in operation, turn all gas valves off. Open the lid and wait five minutes before attempting to relight grill, using the igniting instructions.
- ⚠ Do not use the grill within 24 inches (61cm) of combustible materials. This includes the top, bottom, back or sides of the grill.
- ⚠ Do not build this model of grill in any built-in or slide-in construction. Ignoring this WARNING could cause a fire or an explosion that can damage property and cause serious bodily injury or death.
- ⚠ Only use this grill outdoors in a well-ventilated area. Do not use in a garage, building, breezeway or any other enclosed area.
- ⚠ Your WEBER gas grill shall not be used beneath overhead combustible construction.
- ⚠ Your WEBER gas grill is not intended to be installed in or on recreational vehicles and/or boats.
- ⚠ Do not store an extra (spare) or disconnected liquid propane tank under or near this grill.
- ⚠ After a period of storage and/or nonuse, the WEBER gas grill should be checked for gas leaks and burner obstructions before use. See instructions in this Owner's Guide for correct procedures.
- ⚠ Do not operate the WEBER gas grill if there is a gas leak present.

- ⚠ Do not use a flame to check for gas leaks.
- ⚠ Do not put a grill cover or anything flammable on, or in the storage area under, the grill while grill is in operation or is hot.
- ⚠ Natural gas is not liquid propane gas. The conversion or attempted use of liquid propane gas in a natural gas unit or natural gas in a liquid propane gas unit is dangerous and will void your warranty.
- ⚠ Keep any electrical supply cord and the fuel supply hose away from any heated surfaces.
- ⚠ Do not enlarge valve orifices or burner ports when cleaning the valves or burners.
- ⚠ The WEBER gas grill should be thoroughly cleaned on a regular basis.
- ⚠ Should a grease fire occur, turn off all burners and leave lid closed until fire is out.

### CALIFORNIA PROPOSITION 65:

- ⚠ **WARNING:** Combustion byproducts produced when using this product contain chemicals known to the state of California to cause cancer, birth defects, or other reproductive harm.
- ⚠ **PROPOSITION 65 WARNING:** Handling the brass material on this product exposes you to lead, a chemical known to the state of California to cause cancer, birth defects or other reproductive harm. *Wash hands after handling this product.*



## Limited Warranty

Thank you for purchasing a WEBER product. Weber-Stephen Products LLC, 1415 S. Roselle Road, Palatine, Illinois 60067 ("WEBER") prides itself on delivering a safe, durable, and reliable product. This is WEBER's Limited Warranty ("Warranty") provided to you at no extra charge. It contains the information you will need to have your WEBER product repaired in the unlikely event of a failure or defect. Pursuant to applicable laws, the customer has several rights in case the product is defective. Those rights include supplementary performance or replacement, abatement of the purchasing price, and compensation. These and other statutory rights remain unaffected by this warranty provision. In fact, this warranty grants additional rights to the Owner that are independent from statutory warranty provisions.

### WEBER'S LIMITED WARRANTY

WEBER warrants, to the purchaser of the WEBER product (or in the case of a gift or promotional situation, the person for whom it was purchased as a gift or promotional item) ("Owner"), that the WEBER product is free from defects in material and workmanship for the period(s) of time specified below when assembled and operated in accordance with the accompanying Owner's Manual, normal wear and tear excluded. (Note: If you lose or misplace your WEBER Owner's Manual, a replacement is available online at [www.weber.com](http://www.weber.com).) WEBER agrees within the framework of this warranty to repair or replace the part that is defective in material or workmanship subject to the limitations, and exclusions listed below. TO THE EXTENT ALLOWABLE BY APPLICABLE LAW, THIS WARRANTY IS EXTENDED ONLY TO THE ORIGINAL PURCHASER AND IS NOT TRANSFERABLE TO SUBSEQUENT OWNERS, EXCEPT IN THE CASE OF GIFTS AND PROMOTIONAL ITEMS AS NOTED ABOVE.

WEBER stands by its products and is happy to provide you with the Warranty described for material defects in the grill or its relevant components, normal wear and tear excepted.

- "Normal wear and tear" includes cosmetic and other immaterial deterioration that may come with ownership of your grill over time, such as surface rust, dents / scratches, etc.

However, WEBER will honor this Warranty for the grill or its relevant components where damage or dysfunction results from a material defect.

- "Material defect" includes rust through or burn through of certain parts, or other damage or failure inhibiting your ability to safely / properly use your grill.

### OWNER'S RESPONSIBILITIES UNDER THIS WARRANTY

To ensure trouble-free warranty coverage, it is important (but it is not required) that you register your WEBER product online at [www.weber.com](http://www.weber.com). Please also retain your original sales receipt and / or invoice. Registering your WEBER product confirms your warranty coverage and provides a direct link between you and WEBER in case we need to contact you. If you have not had time to register your grill before calling for Warranty service, please have the following information available when you do call:

Name – Address – Phone Number – Email – Serial Number – Purchase Date – Purchase Dealer – Model – Color – Primary Issue

The above warranty only applies if the Owner takes reasonable care of the WEBER product by following all assembly instructions, usage instructions, and preventative maintenance as outlined in the accompanying Owner's Manual, unless the Owner can prove that the defect or failure is independent of non-compliance with the above mentioned obligations. If you live in a coastal area, or have your product located near a pool, maintenance includes regular washing and rinsing of the exterior surfaces as outlined in the accompanying Owner's Manual.

### WARRANTY HANDLING / EXCLUSION OF WARRANTY

If you believe that you have a part which is covered by this Warranty, please contact WEBER Customer Service using the contact information on our website ([www.weber.com](http://www.weber.com)), or such country-specific website to which Owner may be redirected). WEBER will, upon investigation, repair or replace (at its option) a defective part that is covered by this Warranty. In the event that repair or replacement are not possible, WEBER may choose (at its option) to replace the grill in question with a new grill of equal or greater value. WEBER may ask you to return parts for inspection, shipping charges to be pre-paid by owner.

When you contact Customer Service, please have the following information available:

Name – Address – Phone Number – Email – Serial Number – Purchase Date – Purchase Dealer – Model – Color – Primary Issue

This WARRANTY lapses if there are damages, deteriorations, discolorations, and/or rust for which WEBER is not responsible caused by:

- Abuse, misuse, alteration, modification, misapplication, vandalism, neglect, improper assembly or installation, and failure to properly perform normal and routine maintenance;

The grills illustrated in this Owner's Guide may vary slightly from the model purchased.

- Insects (such as spiders) and rodents (such as squirrels), including but not limited to damage to burner tubes and/or gas hoses;
- Exposure to salt air and/or chlorine sources such as swimming pools and hot tubs/spas;
- Severe weather conditions such as hail, hurricanes, earthquakes, tsunamis or surges, tornadoes or severe storms.
- Acid rain and other environmental factors.

Using third party parts will not void this Warranty. However, any parts that are used and/or installed on your WEBER product that are not genuine WEBER parts are not covered by this Warranty. In addition, any damages that result from the use and/or installation of parts on your WEBER product that are not genuine WEBER parts are not covered by this Warranty. Any conversion of a gas grill not authorized by WEBER and performed by a WEBER authorized service technician will void this Warranty.

### PRODUCT WARRANTY PERIODS

#### Cookbox:

5 years, no rust through/burn through  
(2 years paint excluding fading or discoloration)

#### Lid assembly:

5 years, no rust through/burn through  
(2 years paint excluding fading or discoloration)

#### Stainless steel burner tubes:

5 years, no rust through/burn through

#### Porcelain-enameled cast iron cooking grates:

5 years, no rust through/burn through

#### Plastic components:

5 years, excluding fading or discoloration

#### All remaining parts:

2 years

### DISCLAIMERS

APART FROM THE WARRANTY AND DISCLAIMERS AS DESCRIBED IN THIS WARRANTY STATEMENT, THERE ARE EXPLICITLY NO FURTHER WARRANTY OR VOLUNTARY DECLARATIONS OF LIABILITY GIVEN HERE WHICH GO BEYOND THE STATUTORY LIABILITY APPLYING TO WEBER. THE PRESENT WARRANTY STATEMENT ALSO DOES NOT LIMIT OR EXCLUDE SITUATIONS OR CLAIMS WHERE WEBER HAS MANDATORY LIABILITY AS PRESCRIBED BY STATUTE.

NO WARRANTIES SHALL APPLY AFTER THE APPLICABLE PERIODS OF THIS WARRANTY. NO OTHER WARRANTIES GIVEN BY ANY PERSON, INCLUDING A DEALER OR RETAILER, WITH RESPECT TO ANY PRODUCT (SUCH AS ANY "EXTENDED WARRANTIES"), SHALL BIND WEBER. THE EXCLUSIVE REMEDY OF THIS WARRANTY IS REPAIR OR REPLACEMENT OF THE PART OR PRODUCT.

IN NO EVENT UNDER THIS WARRANTY SHALL RECOVERY OF ANY KIND BE GREATER THAN THE AMOUNT OF THE PURCHASE PRICE OF THE WEBER PRODUCT SOLD.

YOU ASSUME THE RISK AND LIABILITY FOR LOSS, DAMAGE, OR INJURY TO YOU AND YOUR PROPERTY AND/OR TO OTHERS AND THEIR PROPERTY ARISING OUT OF THE MISUSE OR ABUSE OF THE PRODUCT OR FAILURE TO FOLLOW INSTRUCTIONS PROVIDED BY WEBER IN THE ACCOMPANYING OWNER'S MANUAL.

PARTS AND ACCESSORIES REPLACED UNDER THIS WARRANTY ARE WARRANTED ONLY FOR THE BALANCE OF THE ABOVE MENTIONED ORIGINAL WARRANTY PERIOD(S).

THIS WARRANTY APPLIES TO PRIVATE SINGLE FAMILY HOME OR APARTMENT USE ONLY AND DOES NOT APPLY TO WEBER GRILLS USED IN COMMERCIAL, COMMUNAL OR MULTI-UNIT SETTINGS SUCH AS RESTAURANTS, HOTELS, RESORTS, OR RENTAL PROPERTIES.

WEBER MAY FROM TIME TO TIME CHANGE THE DESIGN OF ITS PRODUCTS. NOTHING CONTAINED IN THIS WARRANTY SHALL BE CONSTRUED AS OBLIGATING WEBER TO INCORPORATE SUCH DESIGN CHANGES INTO PREVIOUSLY MANUFACTURED PRODUCTS, NOR SHALL SUCH CHANGES BE CONSTRUED AS AN ADMISSION THAT PREVIOUS DESIGNS WERE DEFECTIVE.

### Webster-Stephen Products LLC

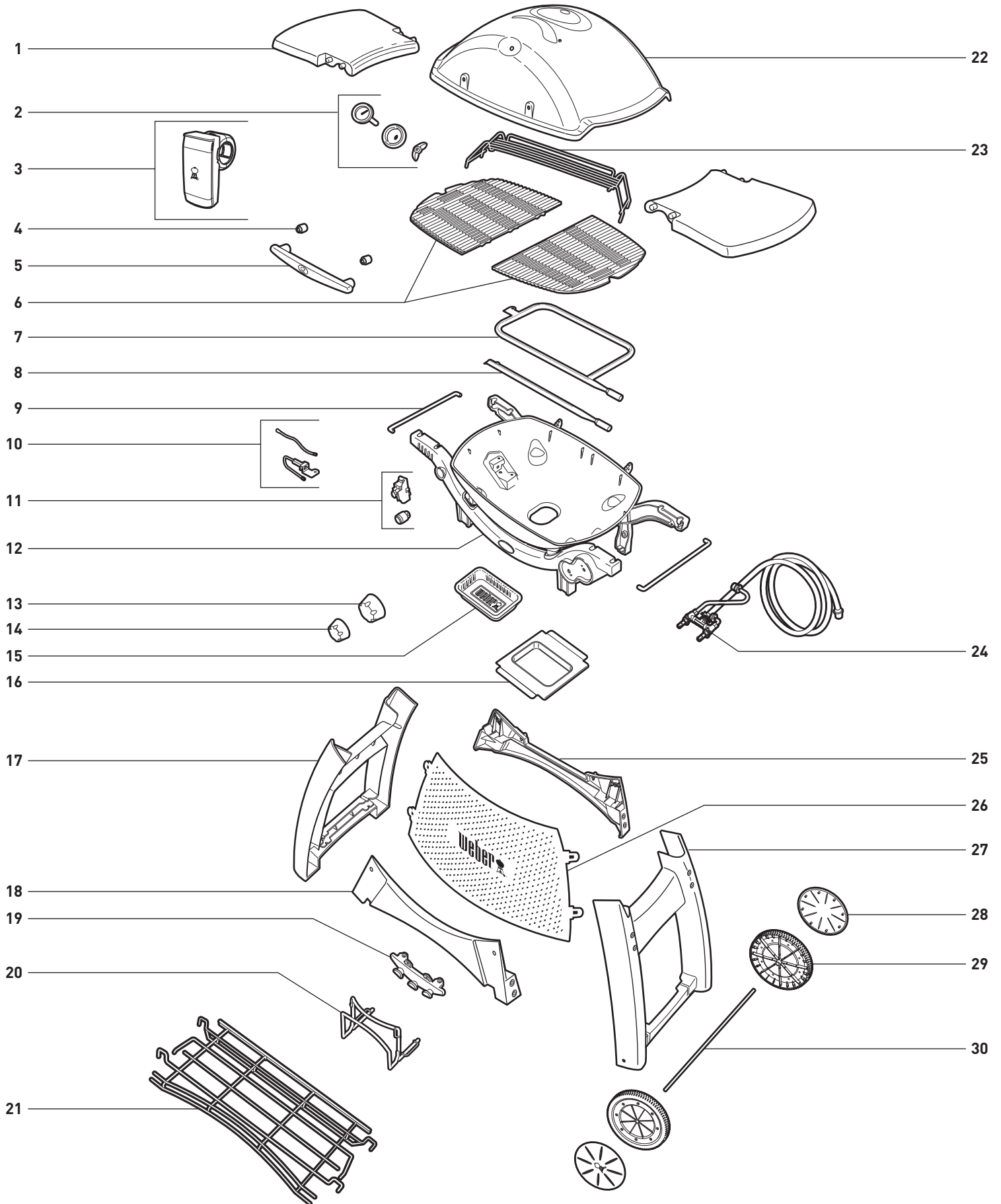
#### Customer Service Center

1415 S. Roselle Road  
Palatine, IL 60067  
U.S.A.

#### For replacement parts, call:

1-800-446-1071

WARNINGS .....	2
WARRANTY .....	3
TABLE OF CONTENTS .....	3
WEBER Q 3200 EXPLODED VIEW .....	4
PARTS LIST .....	6
ASSEMBLY .....	7
STORAGE FEATURES .....	20
IMPORTANT INFORMATION	
ABOUT NATURAL GAS .....	21
WHAT IS NATURAL GAS? .....	21
NATURAL GAS — THE BASICS .....	21
PIPING SPECIFICATIONS .....	21
STORAGE AND/OR NONUSE .....	21
PRESSURE TESTING GAS SUPPLY .....	21
CONNECTION TESTING .....	21
US INSTALLATION CODES .....	21
MEXICO INSTALLATION CODES .....	21
CANADIAN INSTALLATION .....	21
CONNECTING TO THE GAS SUPPLY .....	22
ALMOST READY TO GRILL .....	22
CONNECTING THE FLEXIBLE HOSE TO GAS SUPPLY .....	22
PREPARING TO USE YOUR GRILL .....	23
WHAT IS A LEAK CHECK? .....	23
CHECKING FOR GAS LEAKS .....	23
SAFETY CHECKS BEFORE	
USING YOUR GRILL .....	24
SAFETY FIRST .....	24
REMOVABLE CATCH PAN AND DISPOSABLE DRIP PAN .....	24
HOSE INSPECTION .....	24
BURNER IGNITION & USAGE .....	25
METHODS OF BURNER IGNITION .....	25
BURNER IGNITION – Electronic Ignition System .....	25
TO EXTINGUISH BURNER .....	25
BURNER IGNITION – Lighting with a Match .....	26
TO EXTINGUISH BURNER .....	26
GRILLING TIPS & HELPFUL HINTS .....	27
TIPS & HINTS .....	27
PREHEATING .....	27
COVERED COOKING .....	27
GREASE COLLECTION SYSTEM .....	27
COOKING METHODS .....	28
DIRECT METHOD OR INDIRECT METHOD? .....	28
TROUBLESHOOTING .....	29
GENERAL TROUBLESHOOTING .....	29
ANNUAL MAINTENANCE .....	30
KEEPING YOUR WEBER GRILL IN TIP-TOP SHAPE .....	30
BURNER FLAME PATTERN .....	30
WEBER SPIDER/INSECT SCREEN(S) .....	30
BURNER TUBE PORTS .....	30
BURNER TUBE CLEANING OR REPLACEMENT .....	31
ROUTINE MAINTENANCE .....	33
BEAUTIFUL—INSIDE AND OUT .....	33
CLEANING THE OUTSIDE OF THE GRILL .....	33
CLEANING THE INSIDE OF THE GRILL .....	33
HOSE INSPECTION .....	33
IGNITION SYSTEM OPERATIONS .....	34
MAINTAINING THE ELECTRONIC IGNITION SYSTEM .....	34



1. Fold-Down Table	1. Mesa plegable	1. Plan de travail repliable
2. Thermometer Assembly	2. Conjunto del termómetro	2. Thermomètre
3. GRILL'N GO LIGHT	3. GRILL'N GO LIGHT	3. GRILL'N GO LIGHT
4. Handle Spacer	4. Espaciador del asa	4. Ecarteur de poignée
5. Handle	5. Asa	5. Poignée
6. Cooking Grate	6. Rejilla para cocinar	6. Grille de cuisson
7. Outside Burner Tube	7. Tubo del quemador externo	7. Tube de réchaud externe
8. Inside Burner Tube	8. Tubo del quemador interno	8. Tube de réchaud interne
9. Wire Brace	9. Refuerzo de alambre	9. Renfort métallique
10. Igniter Electrode Assembly	10. Conjunto del electrodo de encendido	10. Ensemble d'électrode d'allumage
11. Electronic Igniter Button/ Electronic Igniter Module	11. Botón de encendido electrónico/ Módulo de encendido electrónico	11. Bouton/Module d'allumage électronique
12. Cookbox/Cradle Assembly	12. Conjunto de la caja/Cuna para cocinar	12. Ensemble cuve de cuisson/Châssis
13. Large Burner Control Knob	13. Perilla de control del quemador grande	13. Gros bouton de réglage de brûleur
14. Small Burner Control Knob	14. Perilla de control del quemador chico	14. Petit bouton de réglage de brûleur
15. Disposable Drip Pan	15. Bandeja de goteo desechable	15. Cuvette ramasse-gouttes jetable
16. Removable Catch Pan	16. Bandeja de recuperación desmontable	16. Bac de récupération amovible
17. Left Cart Leg	17. Pata izquierda del carro	17. Pied gauche de chariot
18. Front Cross Brace	18. Soporte transversal frontal	18. Renfort avant
19. Tool Holder	19. Sujetador de herramientas	19. Porte-ustensiles
20. Accessory/Grate Holder	20. Accesorio/Titular de la parrilla de cocción	20. Accessoire/Cuisson support de grille
21. Bottom Rack	21. Estante inferior	21. Étagère inférieure
22. Lid	22. Tapa	22. Couvercle
23. Warming Rack	23. Estante de calentamiento	23. Grille de réchauffage
24. Manifold, Valve and Hose Assembly	24. Conjunto del colector, válvula y manguera	24. Ensemble de collecteur de gaz, robinet et boyau
25. Rear Cross Brace	25. Soporte transversal trasero	25. Renfort arrière
26. Tank Screen	26. Pantalla del tanque	26. Grille de réservoir
27. Right Cart Leg	27. Pata derecha del carro	27. Pied droit de chariot
28. Wheel Cover	28. Cubierta de la rueda	28. Cache-roue
29. Wheel	29. Rueda	29. Roue
30. Axle	30. Eje	30. Essieu

PARTS LIST · LISTA DE PARTES · LISTE DES PIÈCES

	1		1
	1		1
	2		1
	1		1
	2		1
	1		2
	1		2
	1		12
	1		4
	1		2
	1		1
	1		2
	1		2
	1		1

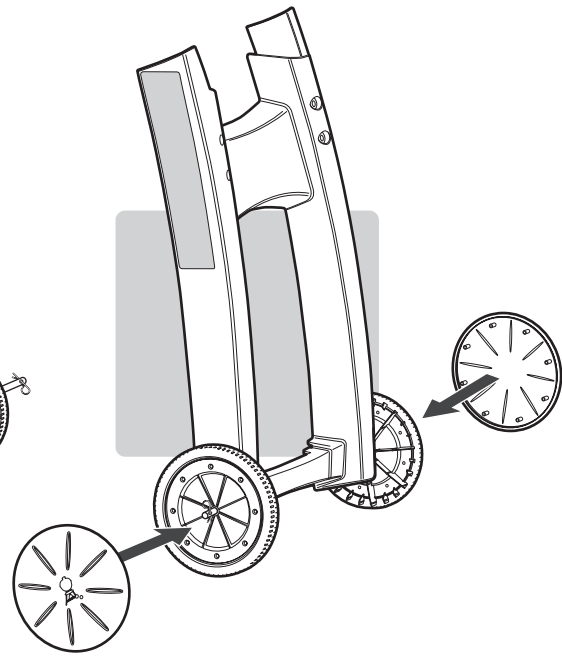
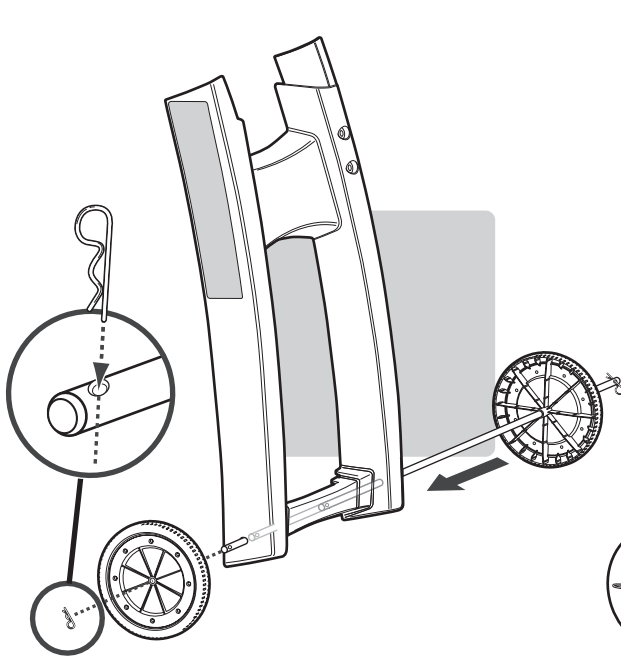
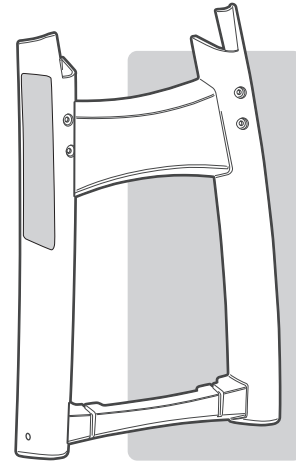
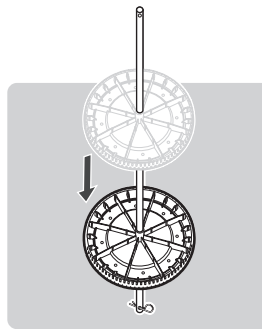
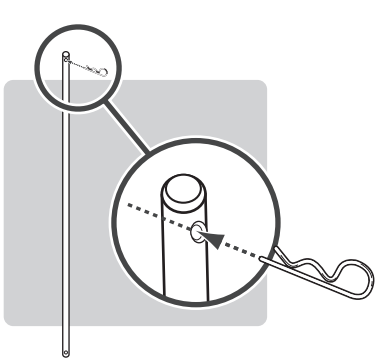


- US** Download the free BILT app for 3D step-by-step instructions.
- ES** Descargue gratis la app BILT para recibir instrucciones paso a paso en 3D.
- FR** Téléchargez l'appli gratuite BILT qui vous expliquera le montage étape par étape en 3D.

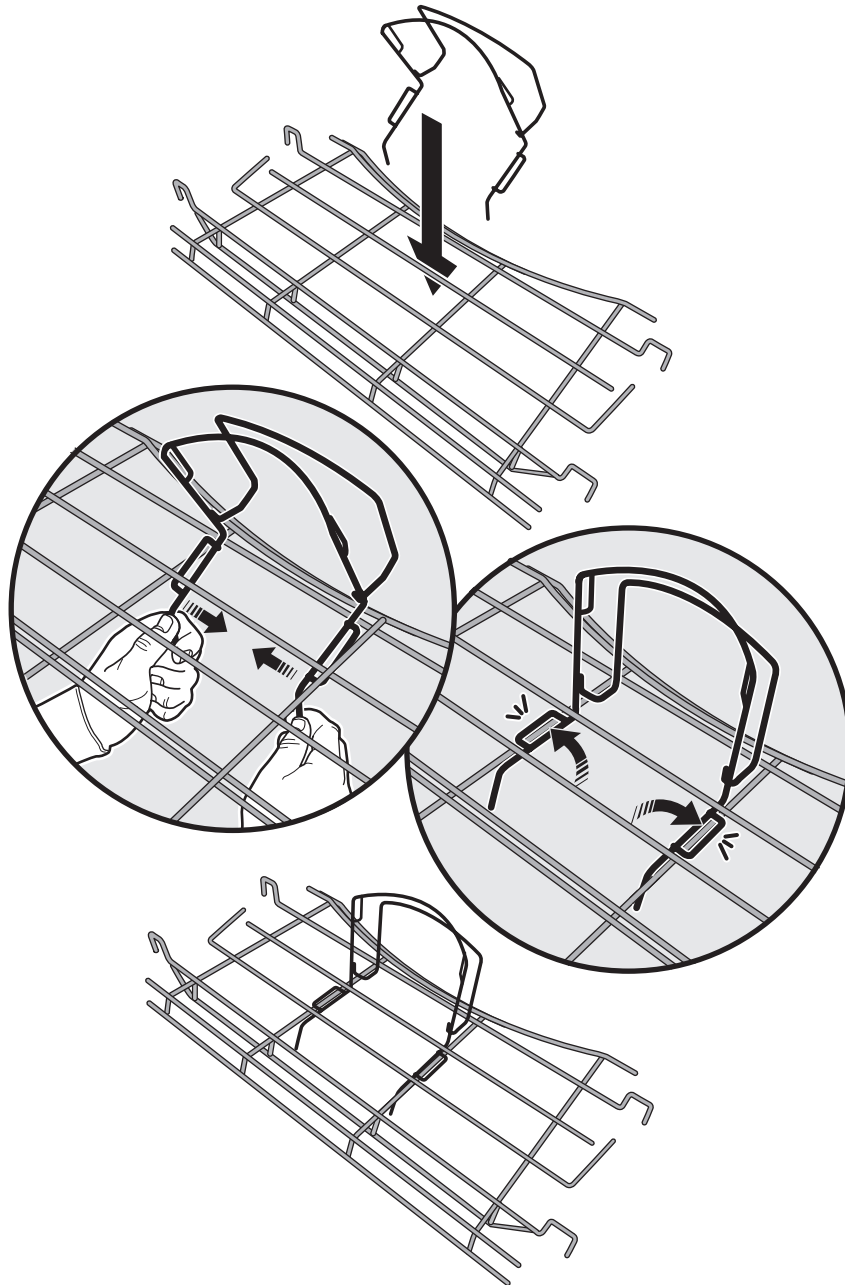
**TOOLS NEEDED:**  
**HERRAMIENTAS REQUERIDAS:**  
**OUTILS NECESSAIRES:**



## 1 2-



2



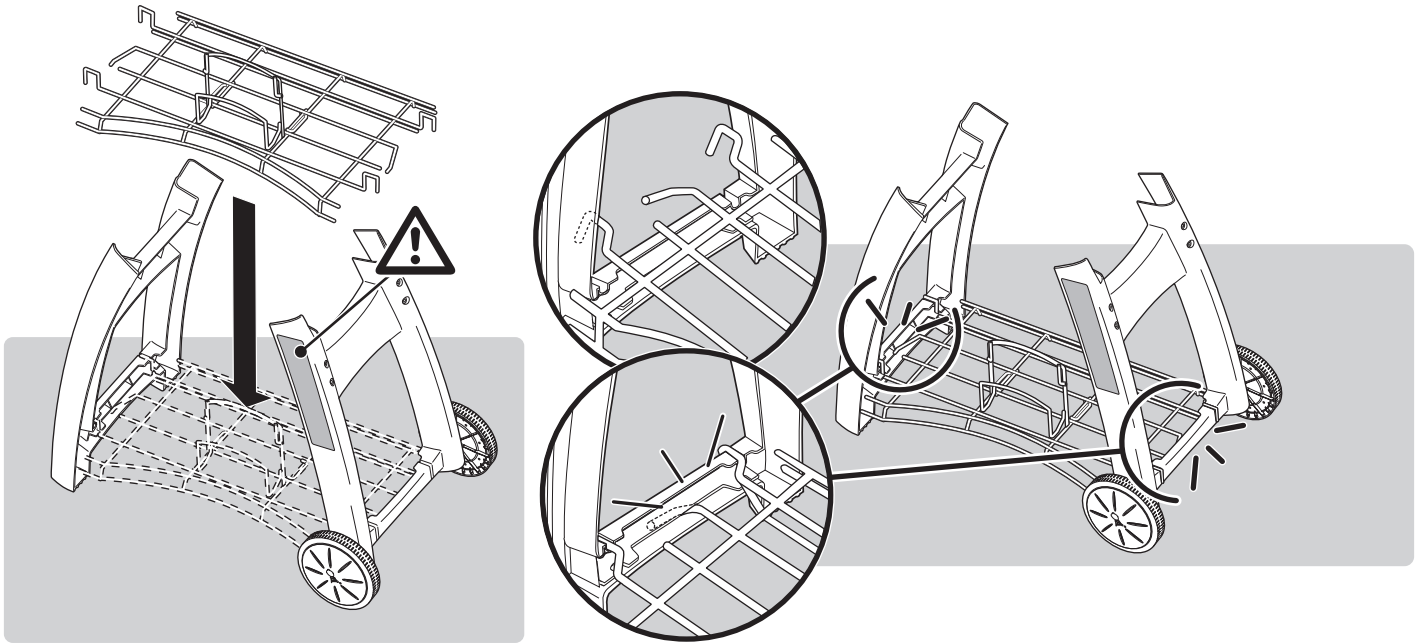


3

⚠ Place wheel frame on the right. Ignition instruction sticker faces forward.

⚠ El bastidor de la rueda va a la derecha. La etiqueta de instrucciones de encendido ve hacia adelante.

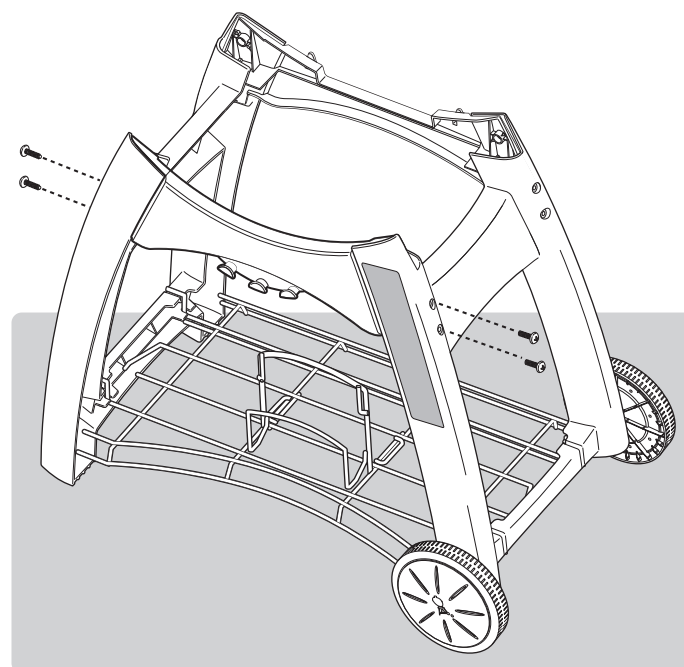
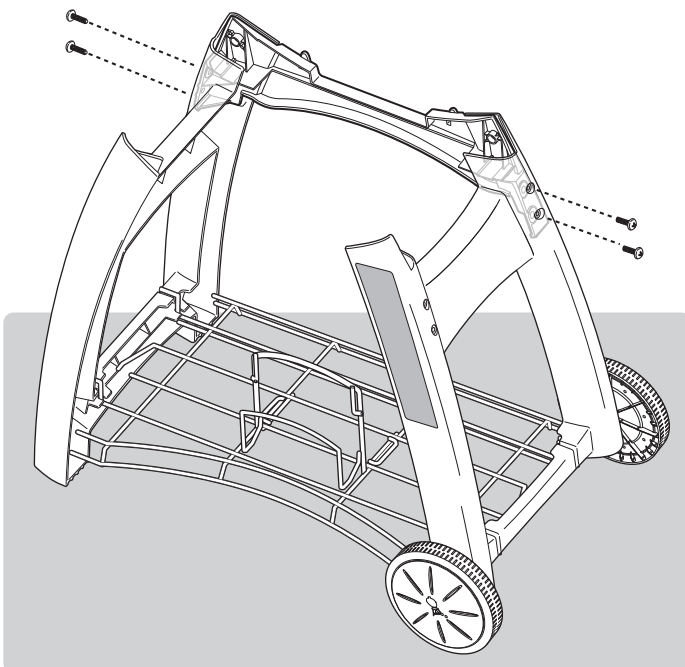
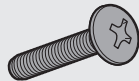
⚠ Le cadre des roues se place à droite. L'autocollant pour les instructions d'allumage est orienté vers l'avant.



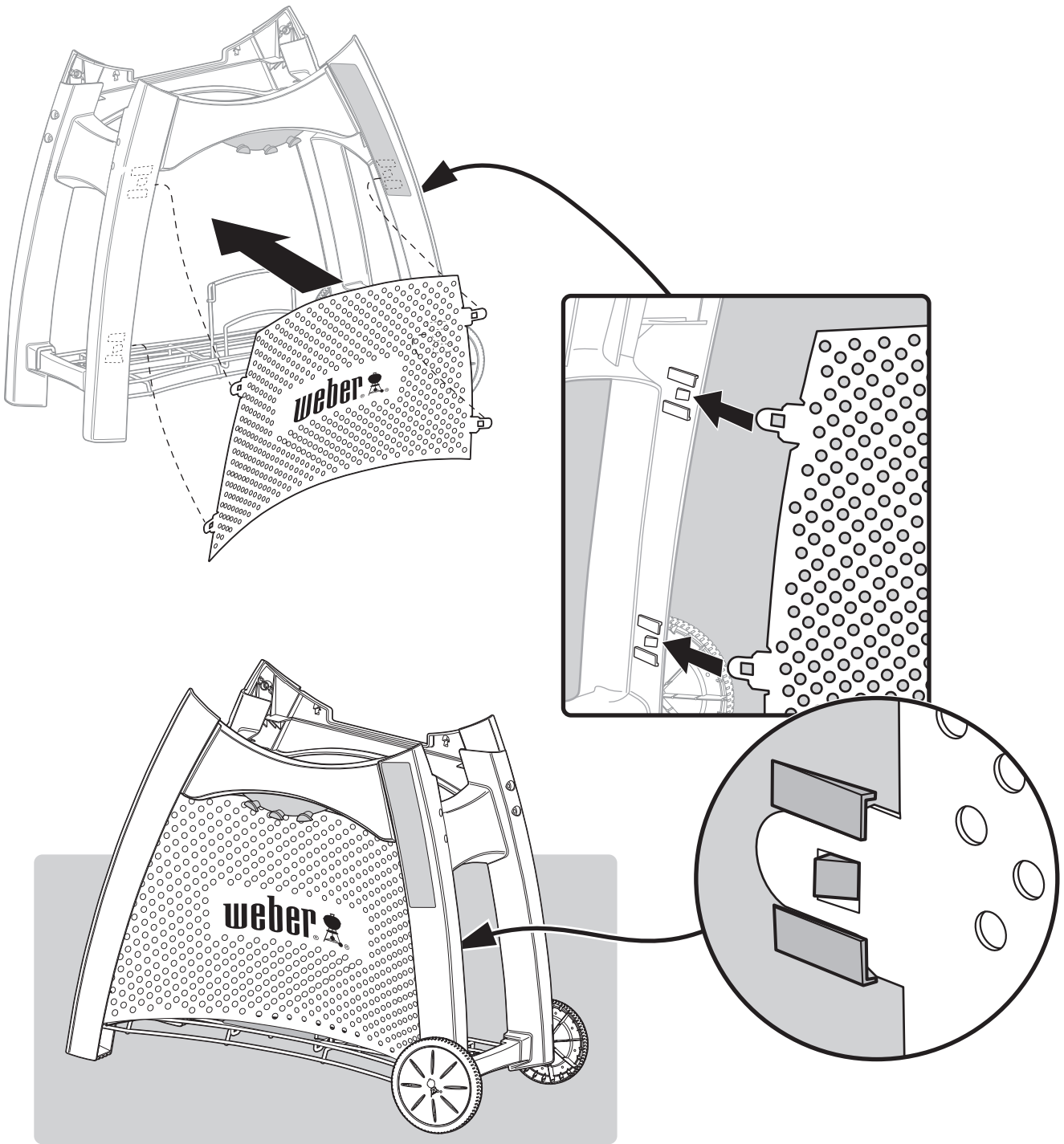
4



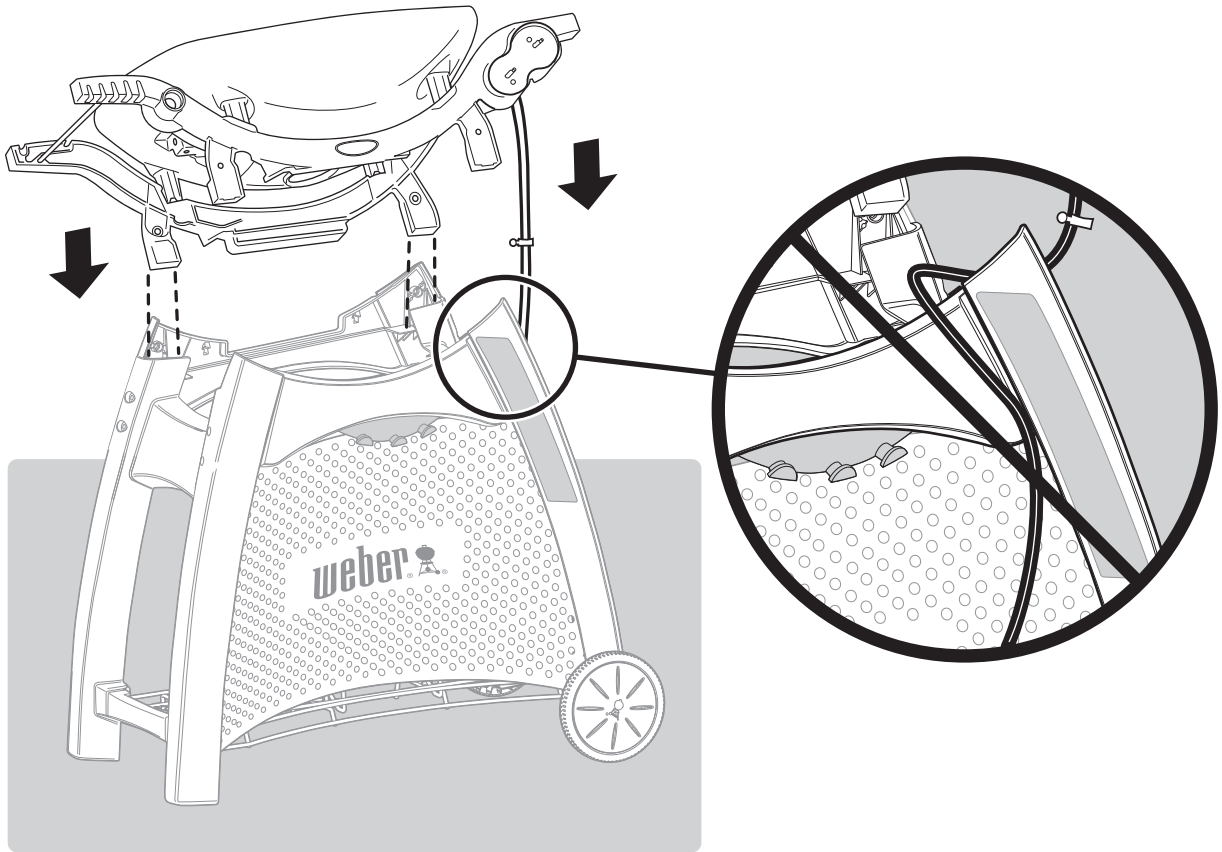
8-



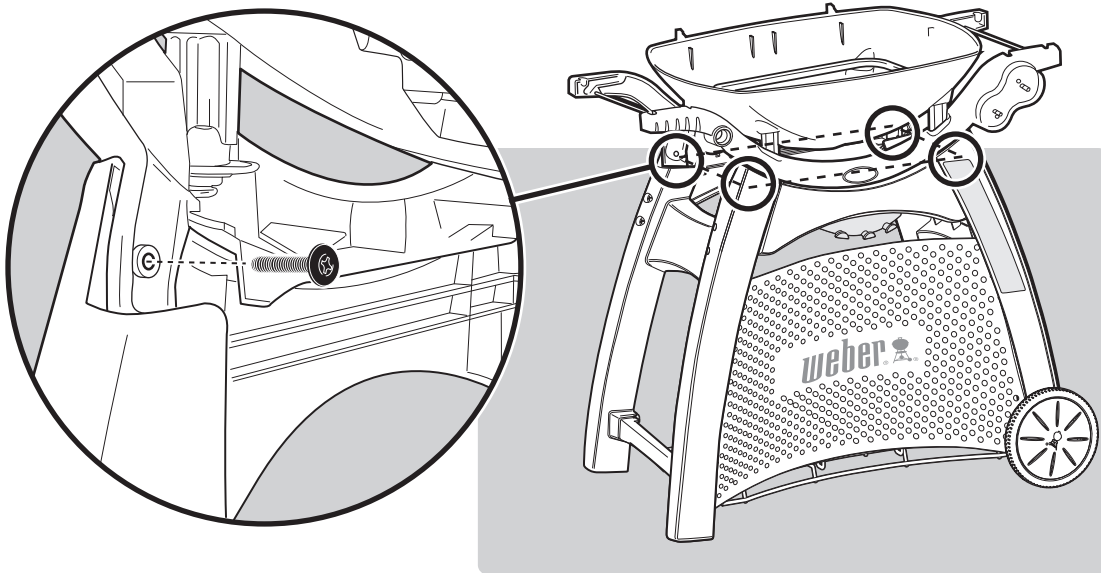
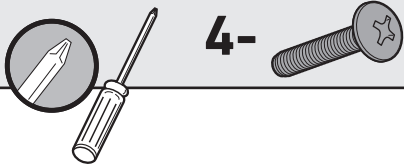
5



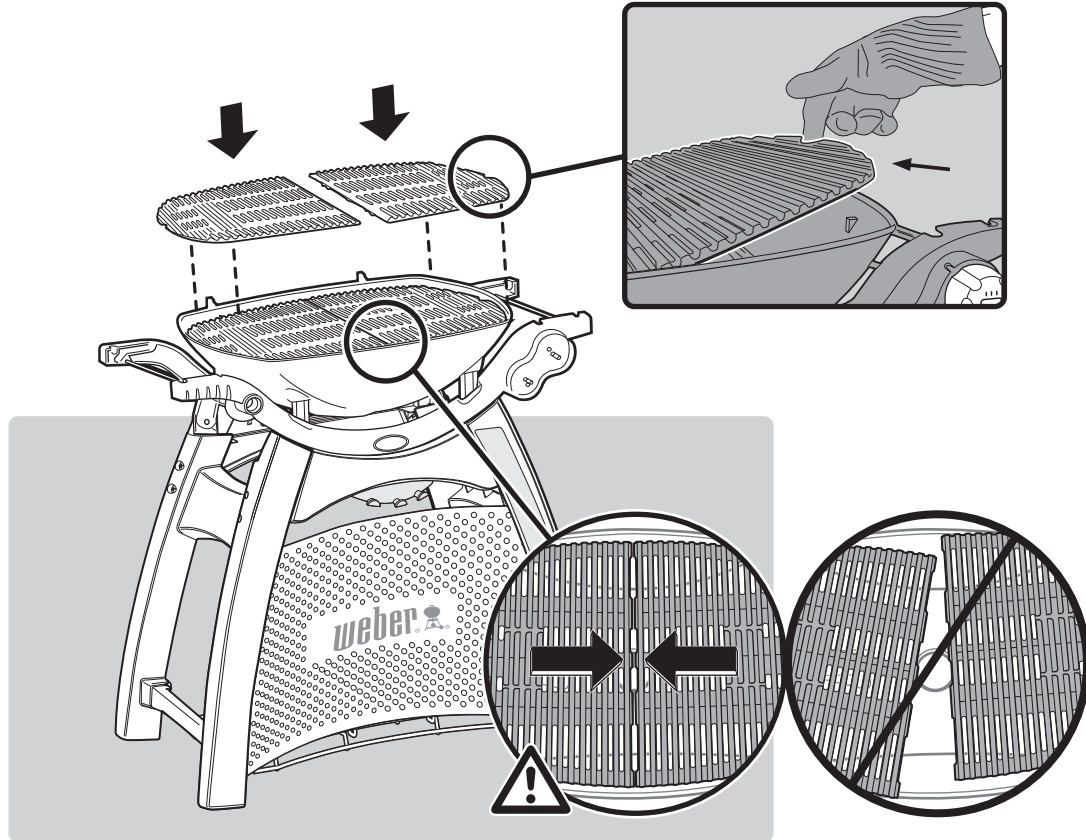
6



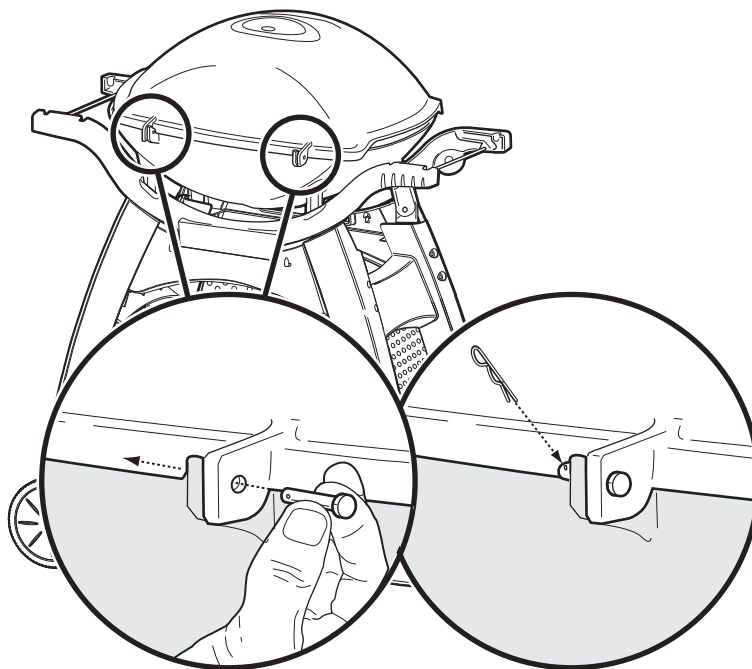
7



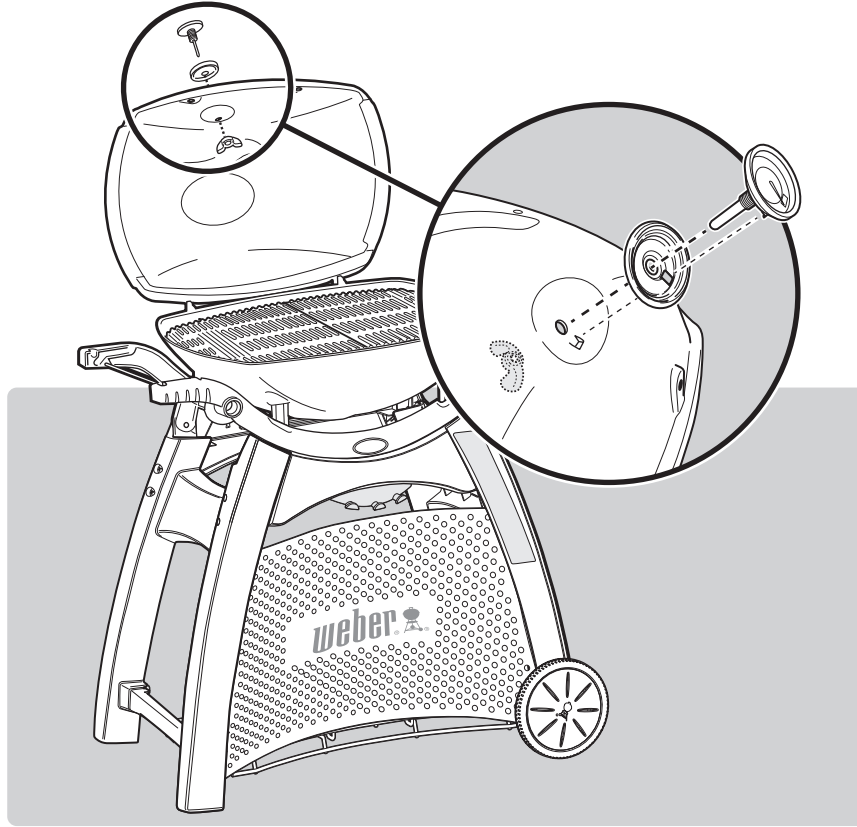
8



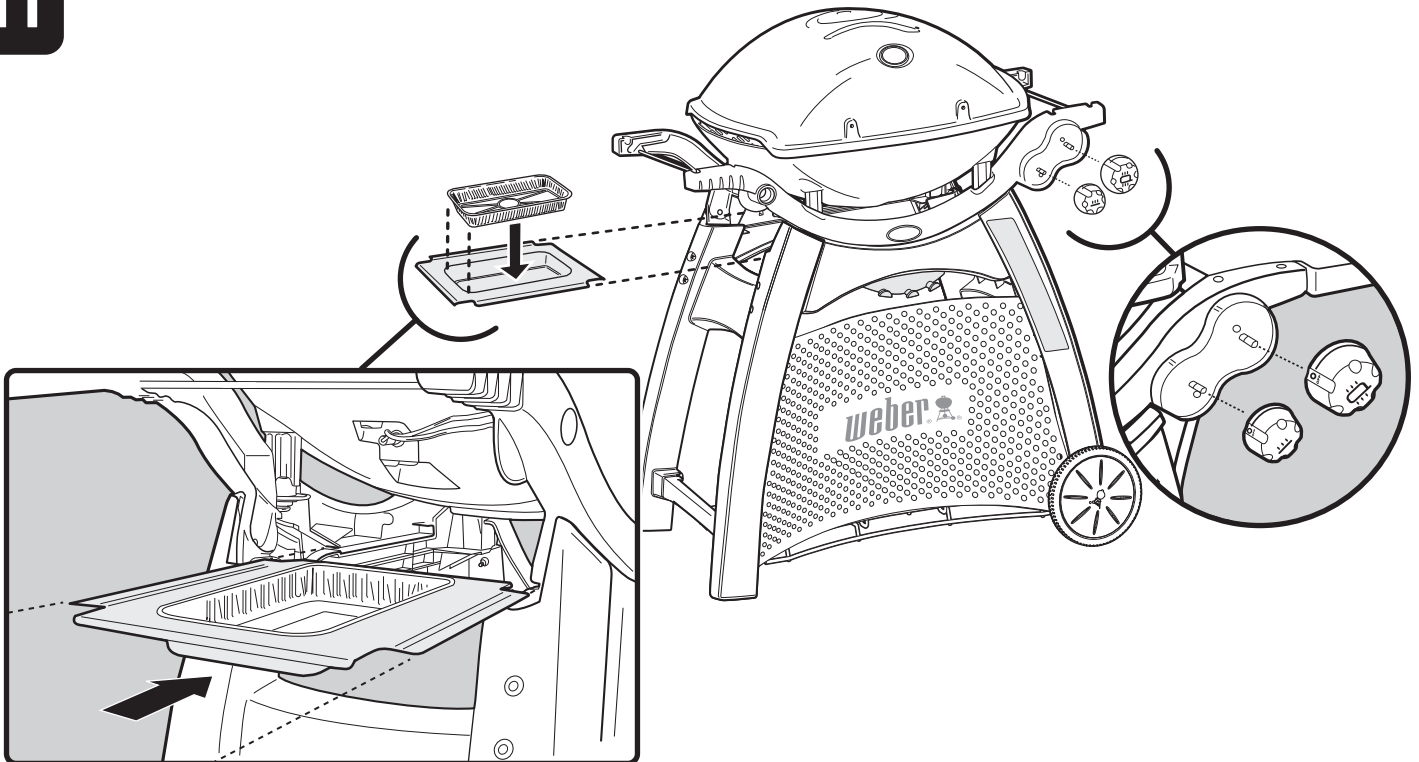
9



10



11

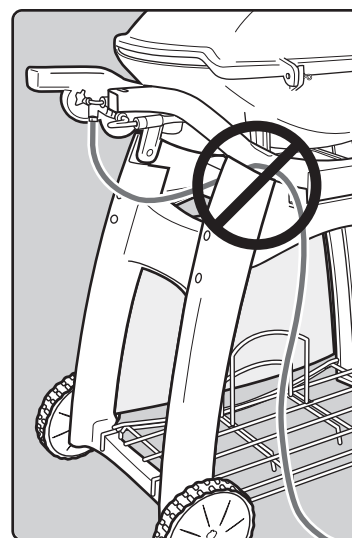
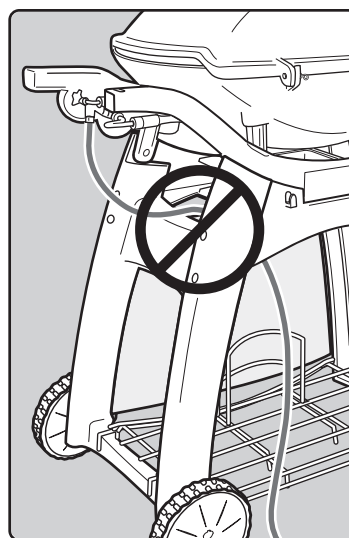
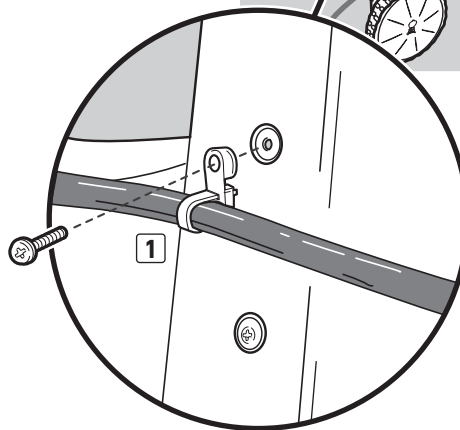
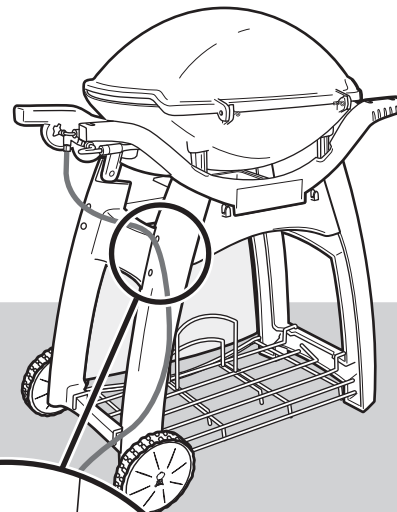


12

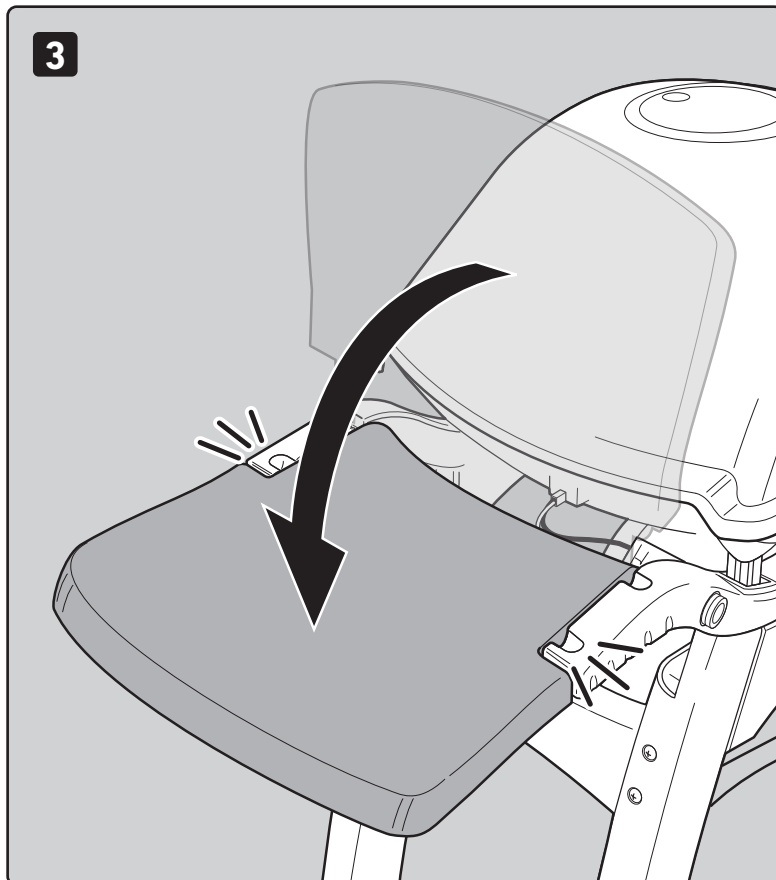
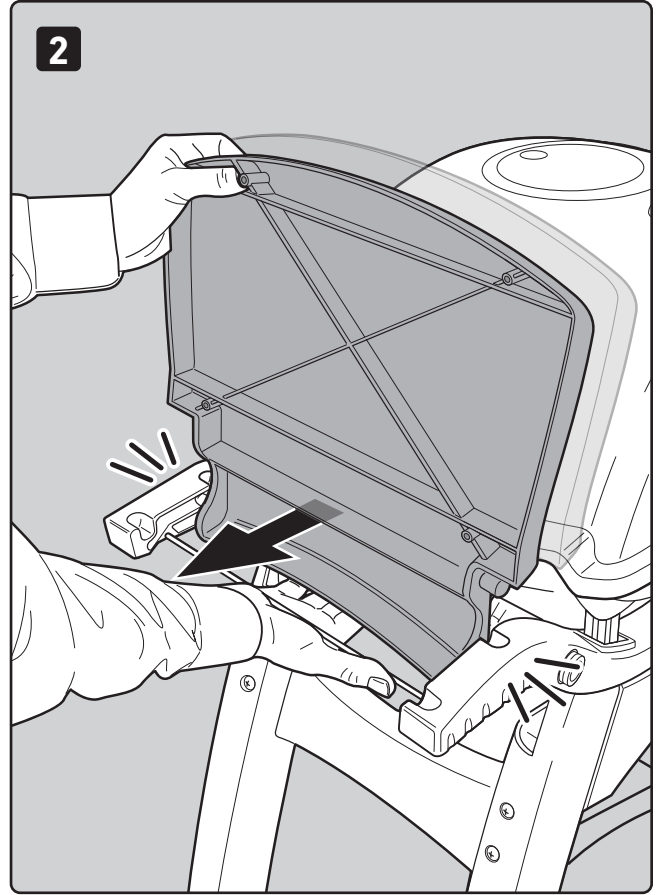
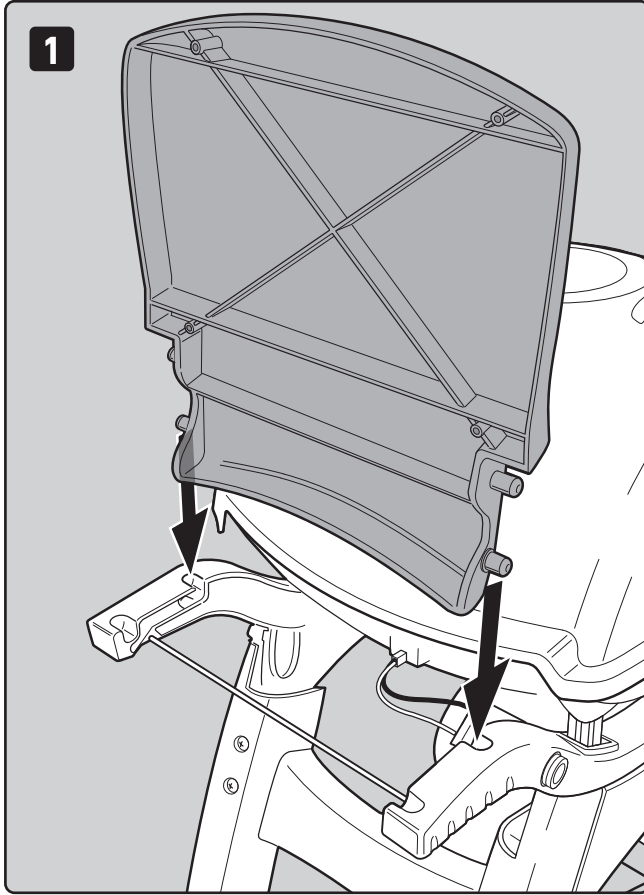
- A) Uncoil the flexible hose.
- B) Remove leg screw then secure hose and retention clip (1) to cart leg.
- ⚠ **WARNING: The hose must be secured to the cart leg by the hose retention clip. Failure to do so could cause damage to hose resulting in a fire or explosion, which can cause serious bodily injury or death and damage to property.**

- A) Desenrolle la manguera flexible.
- B) Retire el tornillo de la pata y luego asegure la manguera y el clip de retención (1) a la pata del carro.
- ⚠ **ADVERTENCIA: La manguera debe sujetarse a la pata del carro usando el clip de retención. El no hacerlo podría causar daños a la manguera ocasionando un fuego o explosión, que pueden causar lesiones corporales o la muerte y daños materiales.**

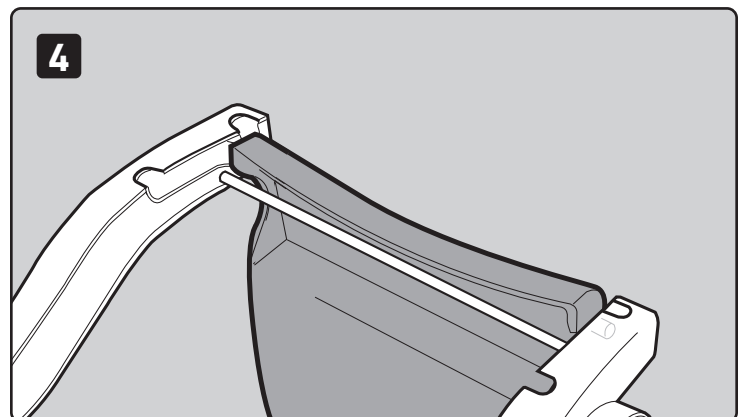
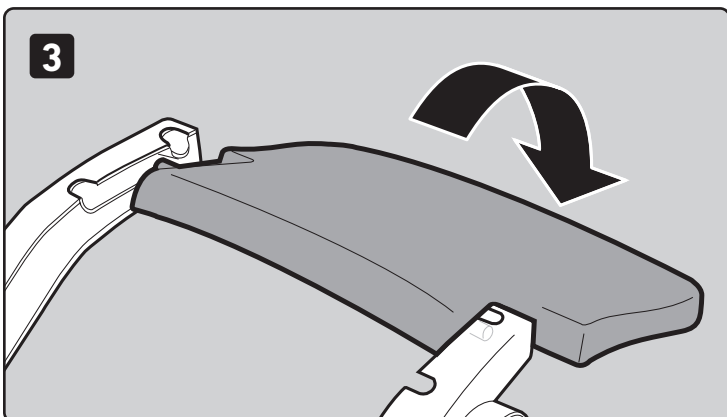
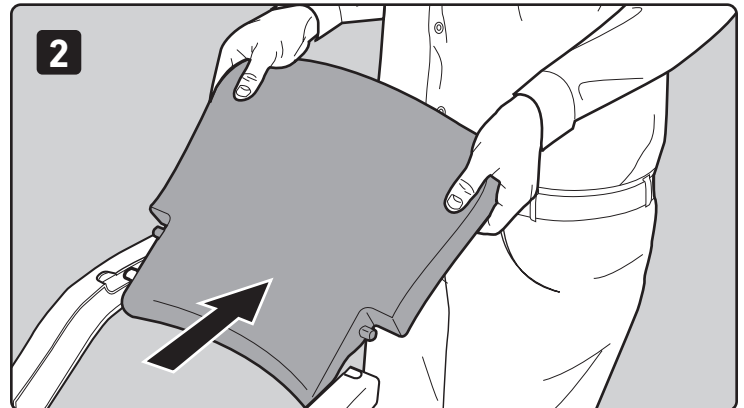
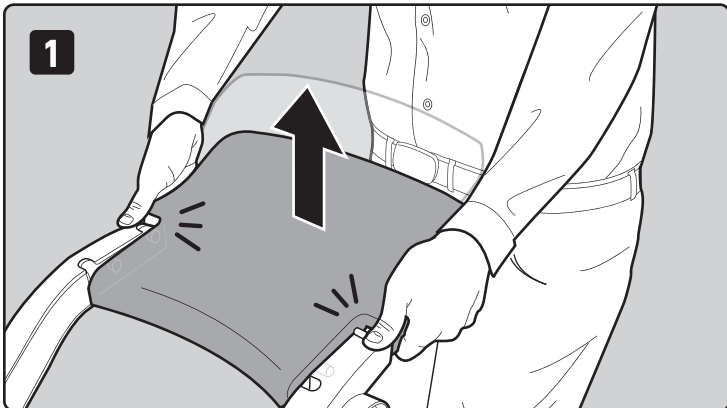
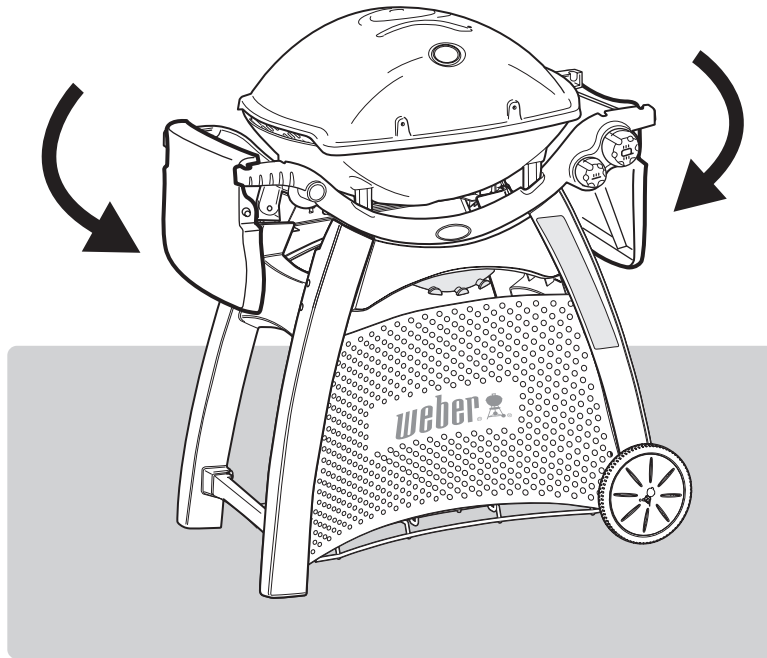
- A) Déroulez le tuyau souple.
- B) Retirez la vis du pied puis fixez bien le tuyau ainsi que la pince de rétention (1) au pied du chariot.
- ⚠ **MISE EN GARDE : Le tuyau doit être fixé solidement au pied du chariot par la pince de rétention du tuyau. Le non respect de cette consigne pourrait entraîner la détérioration du tuyau avec pour conséquence un incendie ou une explosion, susceptible de provoquer des blessures graves voire un décès ainsi que des dégâts matériels.**



13



14

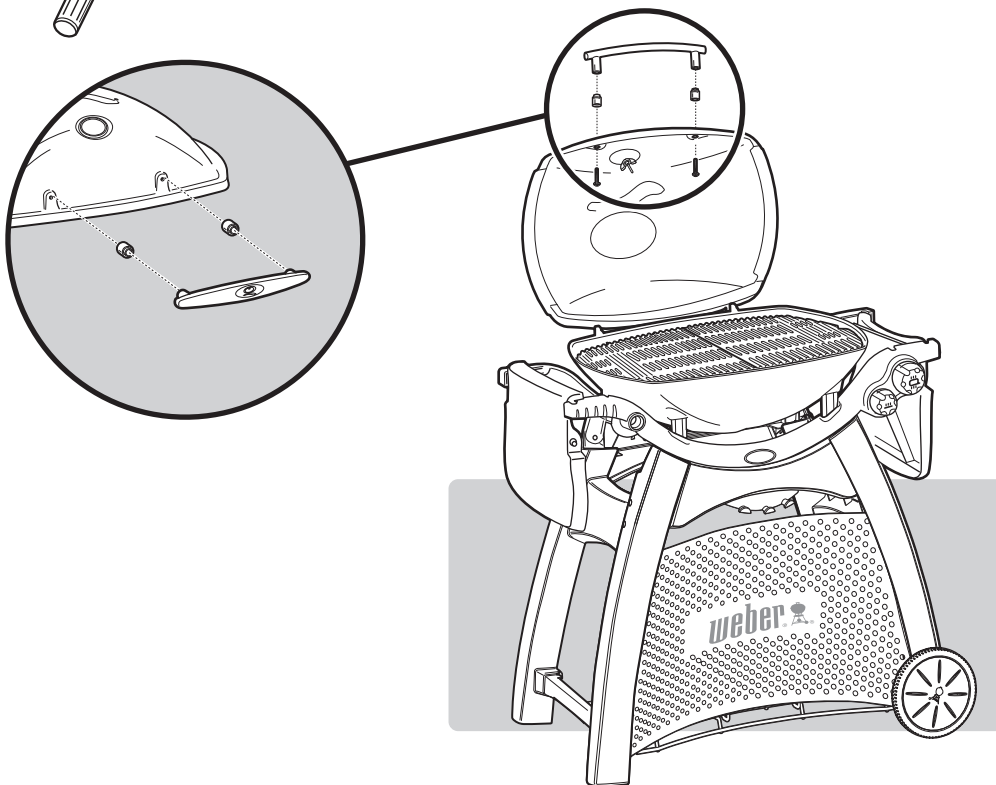
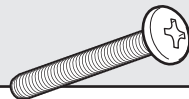




15



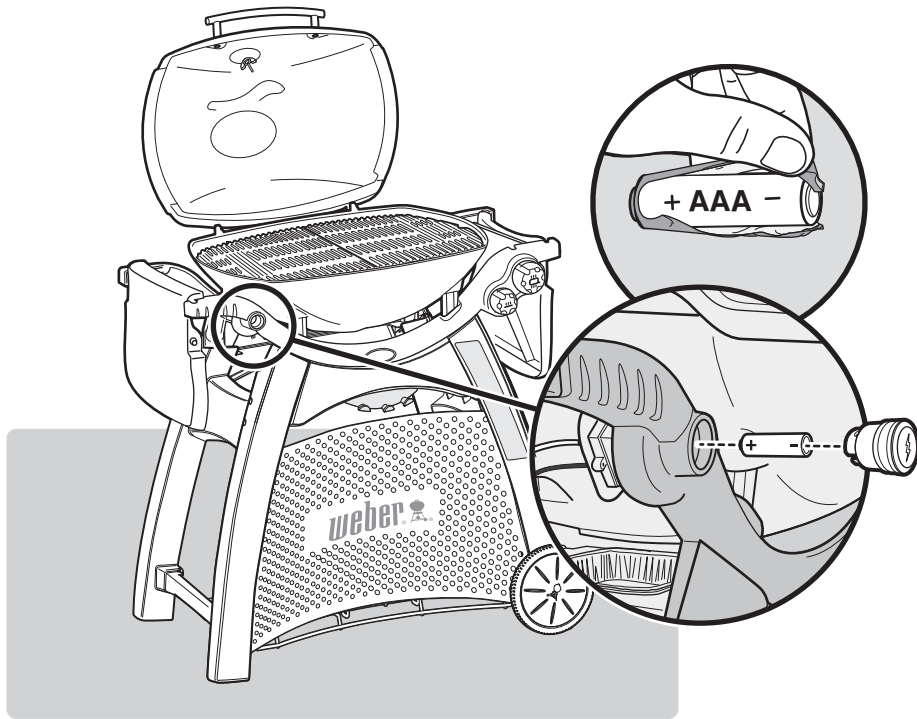
2-



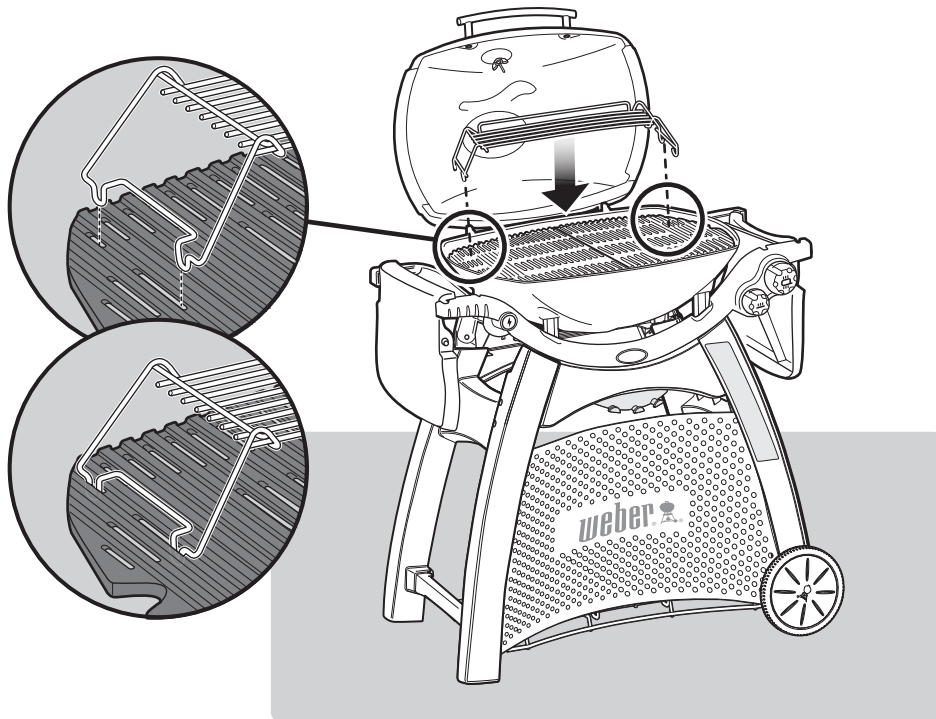
16



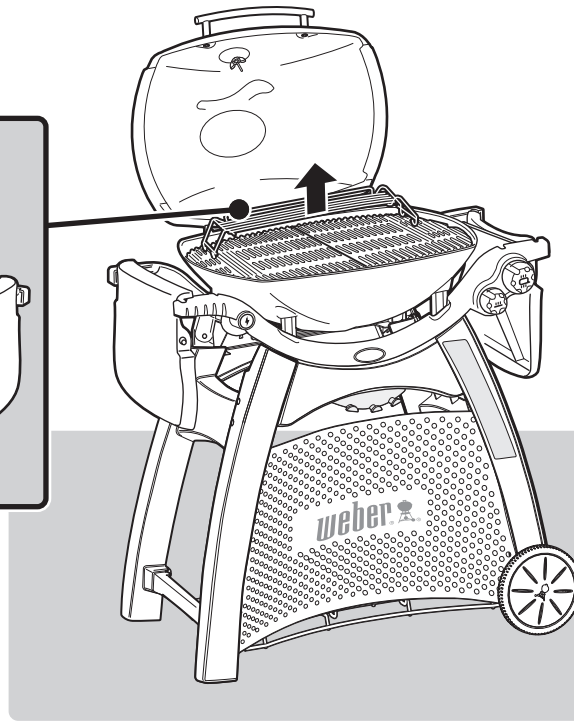
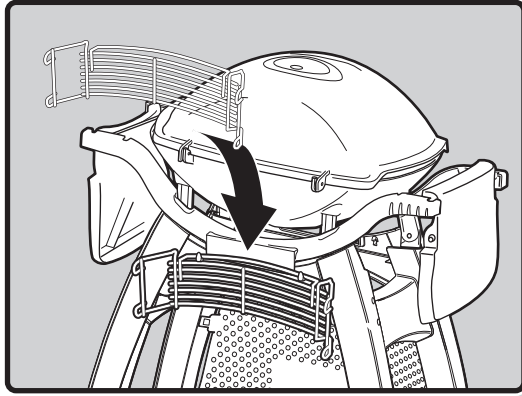
1- + AAA -



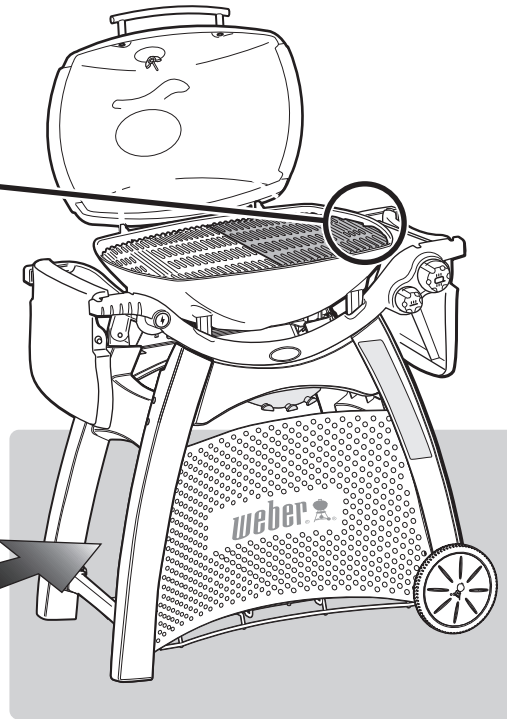
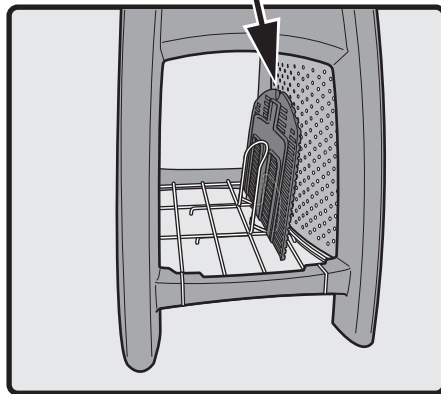
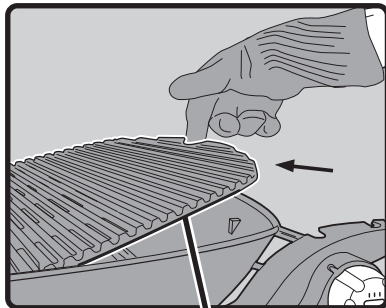
17







- ⚠ Use gloves or tool to raise or lower warming rack while grill is hot or in use.
- ⚠ Use guantes o una herramienta para subir o bajar el soporte calentador con el asador caliente o en uso.
- ⚠ Utilisez des gants ou un outil pour relever ou abaisser la grille-réchaud lorsque le barbecue est chaud ou qu'il est en fonction.



DON'T FORGET TO REGISTER

NO OLVIDES REGISTRARTE

N'oubliez pas d'enregistrer votre produit

# IMPORTANT INFORMATION ABOUT NATURAL GAS

## WHAT IS NATURAL GAS?

Natural gas (NG) is often called methane. Natural gas is supplied by your local utility and should be readily available if your house is already heated with gas.

### NATURAL GAS — THE BASICS

There are various guidelines and safety factors that you need to keep in mind when using natural gas (NG). Carefully follow these instructions before using your WEBER gas grill.

- Your natural gas grill is factory built to operate using natural gas only. Never attempt to operate your grill on gases other than the type specified on the grill rating plates.
- This WEBER gas grill is designed for natural gas only. Do not use liquid propane (LP) bottled gas. The valves, orifices and hose are for natural gas only.
- Before using an NG grill, you need to make sure that the branch supply line from your house to your grill is properly installed.
- Not for use by children.

### PIPING SPECIFICATIONS

Contact your local municipality for building codes regulating outdoor gas grill installations. In the absence of local codes, installation must conform to the latest edition of the National Fuel Gas Code: ANSI Z223.1/NFPA 54, or CAN/CGA-B149.1, Natural Gas and Propane Installation Code. **WE RECOMMEND THAT THIS INSTALLATION BE DONE BY A PROFESSIONAL.**

Following are some general requirements taken from the code(s).

- This grill is designed to operate at 7" of water column pressure (.2526 psi).
- A manual shutoff valve must be installed outdoors, immediately prior to the quick-disconnect.
- An additional manual shutoff valve should be installed indoors in the branch fuel line, in an accessible location near the supply line.
- The quick-disconnect connects to a 3/8" NPT thread from the gas source. The quick disconnect fitting is a hand-operated device that automatically shuts off the flow of gas from the source when the grill is disconnected.
- The quick-disconnect fitting can be installed horizontally or pointing downward, but never pointing upward. Installing it with the open end pointing upward can result in water and debris collecting in the quick-disconnect fitting.
- The dust covers (plastic plugs supplied with your grill) help keep the open ends of the quick-disconnect fitting clean while disconnected.
- When making connections, only use pipe compound that is resistant to the action of natural gas.
- The outdoor connector must be firmly attached to rigid, permanent construction.

**⚠ WARNING: Do not route the ten-foot hose under a deck. The hose must be visible.**

- For the correct size and length of gas line piping, refer to the latest edition of the National Fuel Gas Code: ANSI Z 223.1/NFPA 54, or CAN/CGA-B149.1, Natural Gas and Propane Installation Code.
- Gas piping may be copper tubing, type K or L; polyethylene plastic tube, with a minimum wall thickness of .062"; or standard weight (schedule 40) steel or wrought-iron pipe.
- Copper tubing must be tin lined if the gas contains more than 0.3 grams of hydrogen sulfide per 100 cubic feet of gas.

- Plastic tubing is suitable only for outdoor, underground use.
- Gas piping in contact with earth, or any other material which may corrode the piping, must be protected against corrosion in an approved manner.
- Underground piping must have a minimum of 18" cover.

### STORAGE AND/OR NONUSE

The gas must be turned off at the natural gas supply when the WEBER gas grill is not in use.

- If storing the WEBER gas grill indoors, first DISCONNECT the gas supply.

For grills that have been stored or left unused for a while, it is important to follow these guidelines:

- The WEBER gas grill should be checked for gas leaks and any obstructions in the burner tubes before it is used. (Refer to "ANNUAL MAINTENANCE.")
- Check that the areas under the cookbox and the removable catch pan are free from debris that might obstruct the flow of combustion or ventilation air.
- The spider/insect screens should also be checked for any obstructions. (Refer to "ANNUAL MAINTENANCE.")

### PRESSURE TESTING GAS SUPPLY

- Disconnect your WEBER gas grill when the gas supply is being tested at high pressures. This appliance and its individual shutoff valve must be disconnected from the gas supply piping system during any pressure testing of that system at test pressures in excess of 1/2 psig (>3.5 kPa).
- Turn off your WEBER gas grill when the gas supply is being tested at low pressures. This appliance must be isolated from the gas supply piping system by closing its individual manual shutoff valve during any pressure testing of the gas supply piping system at test pressures equal to or less than 1/2 psig (≤3.5 kPa).

### CONNECTION TESTING

All connections and joints must be thoroughly tested for leaks in accordance with local codes and all listed procedures in the latest edition of the National Fuel Gas Code: ANSI Z223.1/NFPA 54, or CAN/CGA-B149.1.

### US INSTALLATION CODES

Installation must conform with local codes or, in the absence of local codes, with either the National Fuel Gas Code, ANSI Z223.1/NFPA 54, Natural Gas and Propane Installation Code, CSA B149.1; or Propane Storage and Handling Code, B149.2; or the Standard for Recreational Vehicles, ANSI A 119.2/NFPA 1192, and CSA Z240 RV Series, Recreational Vehicle Code, as applicable.

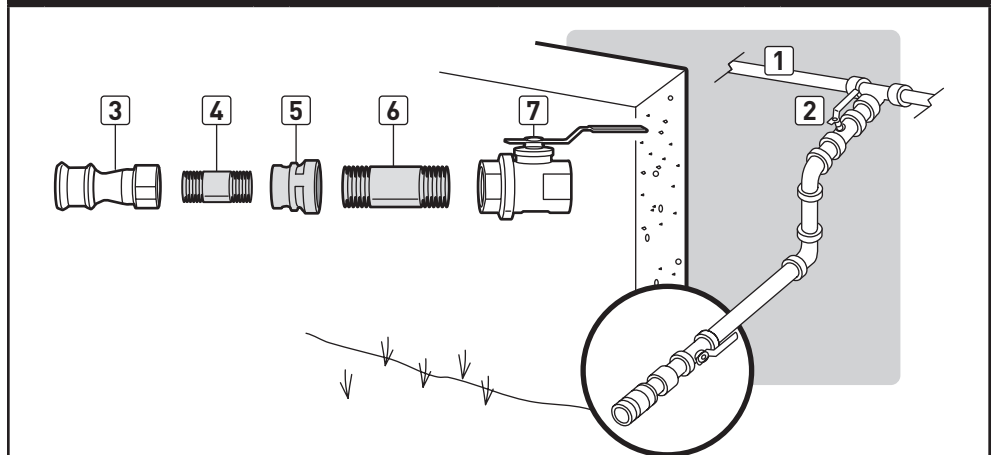
### MEXICO INSTALLATION CODES

If there are local codes that apply to portable gas grills, you must comply with the latest edition of NOM.

### CANADIAN INSTALLATION

These instructions, while generally acceptable, do not necessarily comply with the Canadian Installation codes, particularly with piping above and below ground. In Canada, the installation of this appliance must comply with local codes and/or the latest edition of Standard CAN/CGA-B149.1 (Natural Gas and Propane Installation Code).

### TYPICAL PIPE INSTALLATION



This is a typical installation of a WEBER natural gas grill. Local codes may require different installations.

INSIDE HOUSE		OUTSIDE HOUSE					
1	Gas supply	3	Quick-disconnect	5	Reducing coupling	7	Locking shutoff
2	Shutoff	4	3/8" pipe nipple	6	1/2" pipe nipple		

**NEVER USE ANY TYPE OF FLARE FITTINGS IN THIS INSTALLATION.**

# CONNECTING TO THE GAS SUPPLY

## ALMOST READY TO GRILL

A quick-disconnect device connects your grill to the gas supply. After you have made the connection, a leak check will need to be performed.

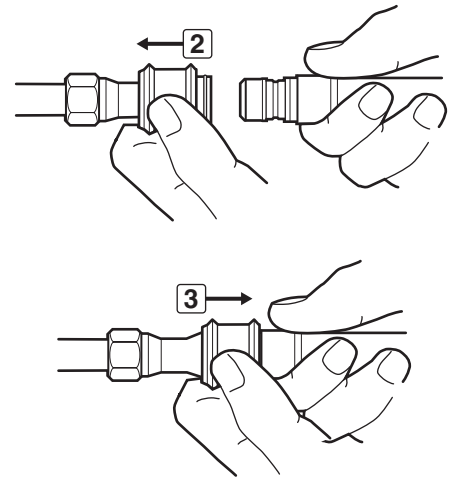
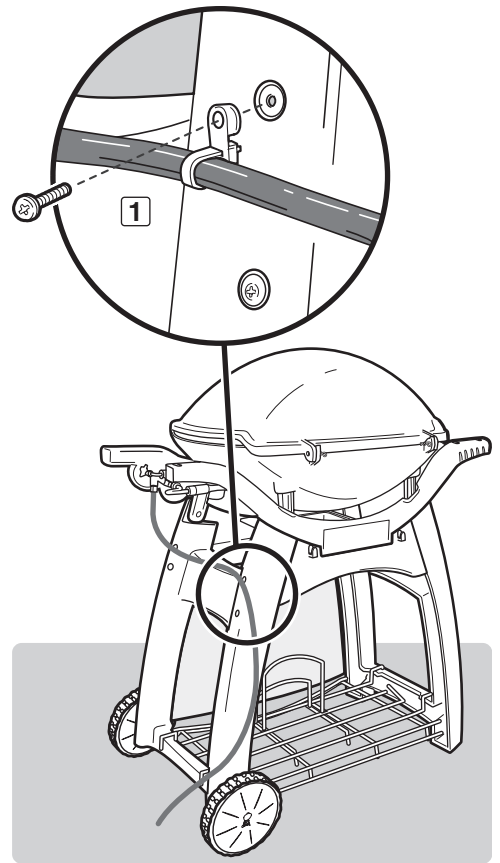
### CONNECTING THE FLEXIBLE HOSE TO GAS SUPPLY

- A) Remove screw from right leg of cart. Insert hose retention clip. Reinstall screw (1).
- ⚠ WARNING: The hose must be secured to the cart leg by the hose retention clip. Failure to do so could cause damage to hose resulting in a fire or explosion, which can cause serious bodily injury or death and damage to property.**
- B) Turn gas supply off at the source.
- C) Slide the collar of the quick-disconnect back (2).
- D) Push male fitting of the hose into the quick-disconnect and maintain pressure. Slide the collar closed (3). If it does not engage or lock, repeat procedure.

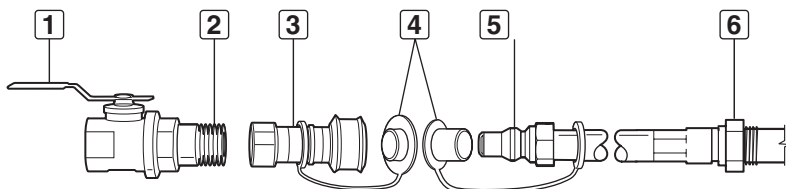
This procedure will produce a gas joint. Gas will not flow unless the quick-disconnect is properly engaged. To disconnect the hose, push collar back and pull out the plug. (This automatically shuts off gas.)

Your WEBER grill comes equipped with a model specific hose that was attached during the manufacturing process. This specific hose must be used for proper performance. If the hose becomes worn or damaged, contact the Customer Service Representative in your area using the contact information on our website.

*Note: Do not turn on gas source until you have performed a leak check. Refer to "CHECKING FOR GAS LEAKS."*



### NATURAL GAS HOSE CONNECTION



1	Shutoff valve	4	Dust covers
2	Pipe nipple	5	Male connection
3	Socket	6	Swivel connection

## WHAT IS A LEAK CHECK?

The fuel system in your grill features connections and fittings. A leak check is a reliable way to make sure that no gas is escaping from any of the connections or fittings.

Although all factory-made connections have been thoroughly checked for gas leaks, it's important to perform a leak check before using your grill for the first time, as well as anytime you disconnect and reconnect a fitting and each time you perform routine maintenance.

### **⚠ DANGER**

**Do not use an open flame to check for gas leaks. Be sure there are no sparks or open flames in the area while you check for leaks. Sparks or open flames will result in a fire or explosion, which can cause serious bodily injury or death and damage to property.**

**⚠ WARNING: The gas connections of your gas grill have been factory tested. We do, however, recommend that you leak check all gas connections before operating your gas grill.**

**⚠ WARNING: Perform these leak checks even if your grill was dealer or store assembled.**

**⚠ WARNING: You should check for gas leaks every time you disconnect and reconnect a gas fitting.**

*NOTE: All factory-made connections have been thoroughly checked for gas leaks and the burners have been flame-tested. As a safety precaution, however, you should check all fittings for leaks before using your WEBER gas grill. Shipping and handling may loosen or damage a gas fitting.*

## CHECKING FOR GAS LEAKS

You will need: A spray bottle or brush or rag and a soap and water solution. (You can make your own soap and water solution by mixing 20% liquid soap with 80% water; or, you can purchase leak check solution in the plumbing section of any hardware store.)

- A) Check that **ALL** burner control knobs are in the off (O) position (1). Burner control knobs are shipped in the off (O) position, but you should check to be sure that they are turned off. Check by pushing burner control knobs in and turning them clockwise. If they do not turn, they are off. If they do turn, continue turning them clockwise until they stop; then they are off.
- B) Turn gas supply on at source (2).

**⚠ WARNING: Do not ignite burners when leak checking.**

- C) To check for leaks, wet fittings with the soap and water solution, using a spray bottle, brush or rag. If bubbles form, or if a bubble grows, there is a leak. Apply the soap and water solution to the following connections:

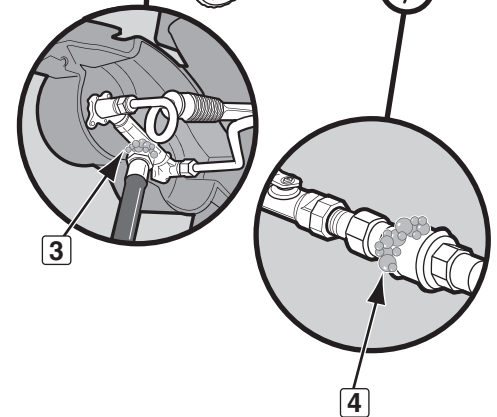
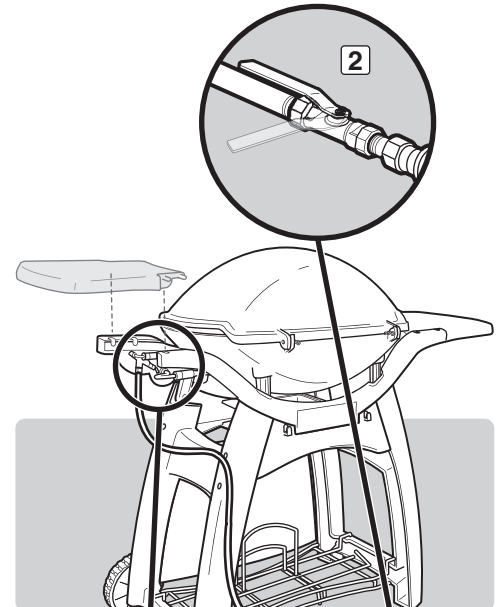
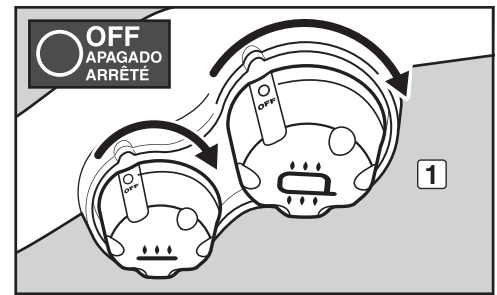
- a) Hose to manifold connection (3).
- c) Flexible hose-to-quick-disconnect connection (4).

**⚠ WARNING: If there is a leak at connections (3 or 4), turn off the gas. DO NOT OPERATE THE GRILL. Contact the Customer Service Representative in your area using the contact information on our web site. Log onto [www.weber.com](http://www.weber.com).**

- D) When leak checking is complete, turn gas supply off at the source and rinse connections with water.

*NOTE: Since some leak test solutions, including soap and water, may be slightly corrosive, all connections should be rinsed with water after checking for leaks.*

Now you are ready to use your grill.



## SAFETY FIRST

It's a good idea to get in the habit of performing a few safety checks before grilling.

**Safety must be considered when you are deciding where to place and operate your grill. Be sure to read the following warnings before installing or using your grill.**

### WARNINGS:

- ⚠ Only use this grill outdoors in a well-ventilated area. Do not use in a garage, building, breezeway or any other enclosed area.
- ⚠ Your WEBER gas grill shall not be used beneath overhead combustible construction.
- ⚠ Your WEBER gas grill is not intended to be installed in or on recreational vehicles and/or boats.
- ⚠ Do not use the grill within 24 inches (61 cm) of combustible materials. This includes the top, bottom, back or sides of the grill.
- ⚠ Keep the cooking area clear of flammable vapors and liquids such as gasoline, alcohol, etc., and combustible materials.
- ⚠ The entire cookbox gets hot when in use. Do not touch.
- ⚠ Do not move the WEBER gas grill when operating or while grill is hot.

## REMOVABLE CATCH PAN AND DISPOSABLE DRIP PAN

Your grill was built with a grease collection system, which funnels grease away from food and into a removable catch pan. For your convenience, you can also line the removable catch pan with a WEBER disposable drip pan, which will help keep the removable catch pan cleaner longer.

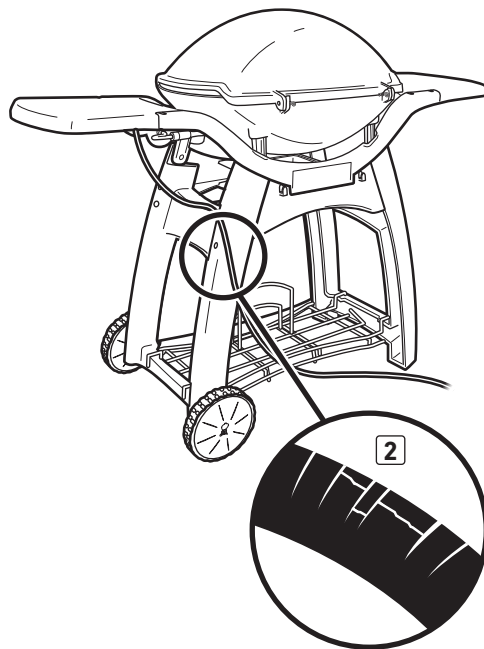
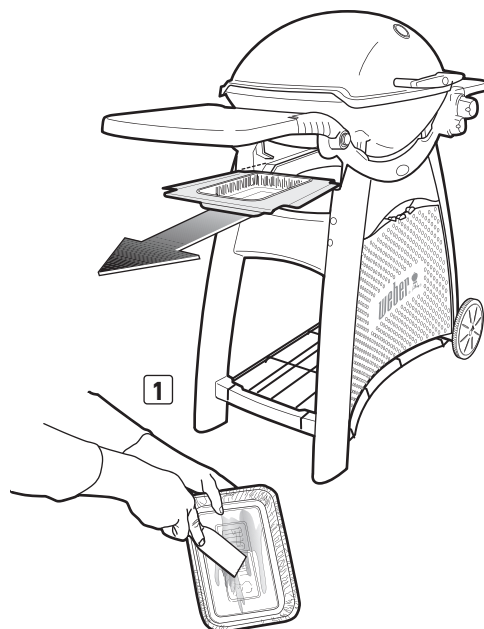
Cleaning the removable catch pan is just as important as cleaning the cookbox. Check the removable catch pan for grease build-up each time you use your grill. Remove excess grease with a plastic scraper (1). Wash the removable catch pan with warm, soapy water and rinse with water.

- ⚠ **WARNING:** Use caution when removing catch pan and disposing of hot grease.
- ⚠ **WARNING:** Check the removable catch pan or disposable drip pan for grease build-up before each use. Remove excess grease to avoid a grease fire. A grease fire can cause serious bodily injury or damage to property.
- ⚠ **CAUTION:** Do not line the cookbox, removable catch pan or disposable drip pan with aluminum foil.

## HOSE INSPECTION

The hose should be inspected routinely for any signs of cracking (2).

- ⚠ **WARNING:** Check hose before each use of grill for nicks, cracking, abrasions or cuts. If the hose is found to be damaged in any way, do not use the grill. Replace using only WEBER authorized replacement hose. Contact the Customer Service Representative in your area using the contact information on our web site. Log onto [www.weber.com](http://www.weber.com).





## METHODS OF BURNER IGNITION

There are two ways to ignite the burner. The first is by using the ignition system built into your grill. The second is with a match.

Next are the steps for igniting your grill using the ignition system. On the following page are steps for igniting your grill with a match.

Summary lighting instructions are posted on the cart leg under the burner control knobs.

### BURNER IGNITION

#### Electronic Ignition System

The electronic ignition system ignites the burner with a spark from the igniter electrode inside the Gas Catcher™ ignition chamber. You generate the energy for the spark by pushing the igniter button. You will hear the igniter clicking.

- A) Open the grill lid (1).

#### ⚠ DANGER

**Failure to open the lid before igniting the grill's burners, or not waiting five minutes to allow the gas to clear if the grill does not light, may result in an explosive flare-up which can cause serious bodily injury or death.**

- B) Make sure **ALL** burner control knobs are turned off (2). Check by pushing burner control knobs in and turning them clockwise until they stop.  
 C) Turn the gas supply valve on (3).  
 D) Light the outside burner by pushing the large burner control knob in and turning it counterclockwise to start/high (4) position (4).  
 E) Push and hold in the igniter button (5). You will hear the igniter clicking.  
 F) Check that the burner is lit by looking through the cooking grates. You should see a flame.

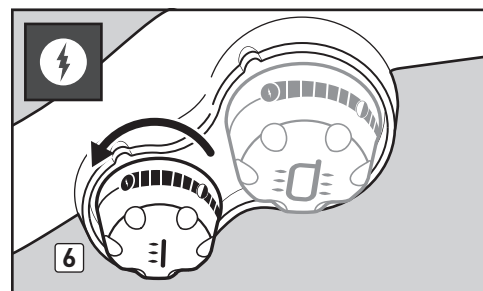
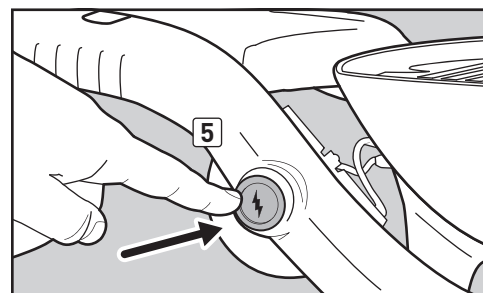
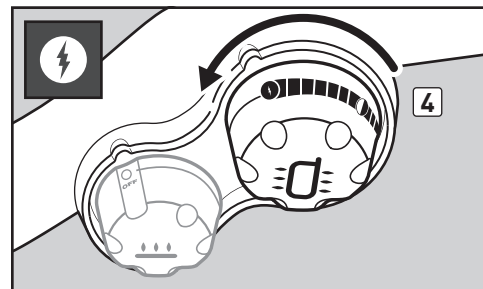
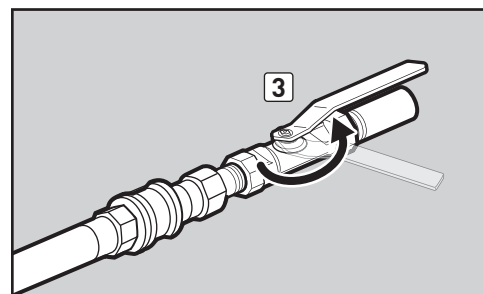
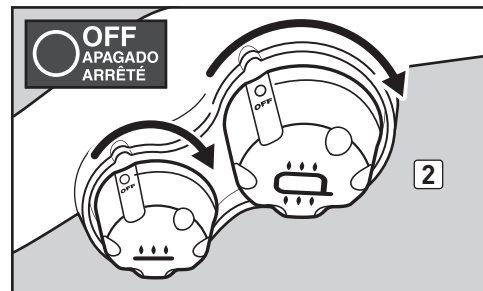
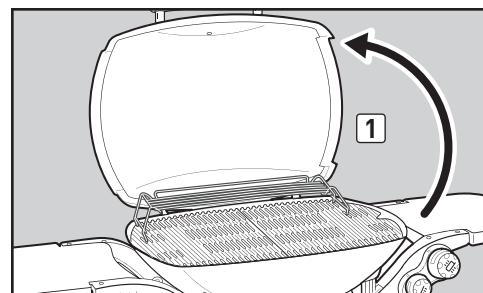
⚠ **WARNING: While igniting the grill or cooking, never lean over open grill.**

⚠ **WARNING: If the burner fails to ignite within five seconds, stop, turn the burner control knob to off and wait five minutes to allow the gas to clear before you try again or light with a match.**

- G) After the outside burner is lit, you can turn on the inside burner. Push in the small burner control knob and turn it to start/high (4) position (6). The inside burner will then be ignited by the outside burner.

#### TO EXTINGUISH BURNER

Push each burner control knob in and turn it clockwise to the off (O) position. Turn gas supply off at the source.



**Some batteries have a plastic protective wrap around them. This plastic must be removed before you attempt to ignite your grill. Do not confuse this plastic with the battery label.**

# BURNER IGNITION & USAGE

## BURNER IGNITION

### Lighting with a Match

A) Open the grill lid (1).

**⚠ DANGER**

**Failure to open the lid before igniting the grill's burners, or not waiting five minutes to allow the gas to clear if the grill does not light, may result in an explosive flare-up which can cause serious bodily injury or death.**

B) Make sure **ALL** burner control knobs are turned off (2). Check by pushing burner control knobs in and turning them clockwise until they stop.

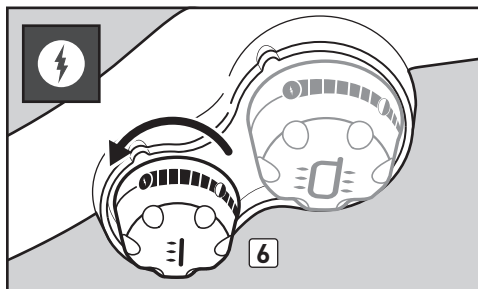
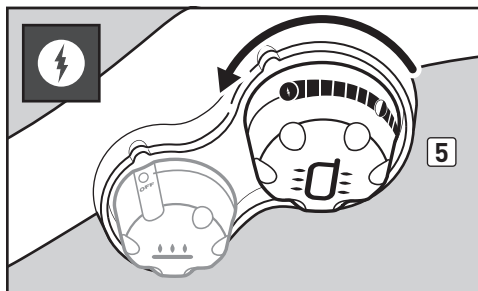
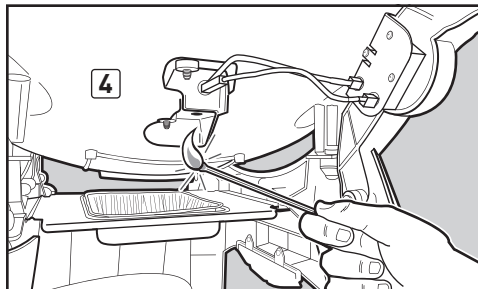
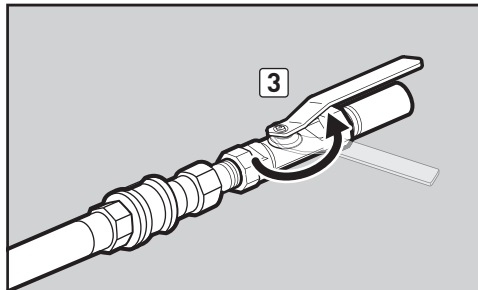
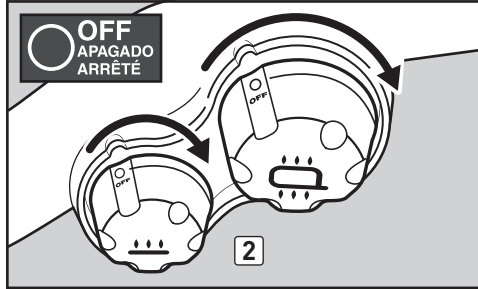
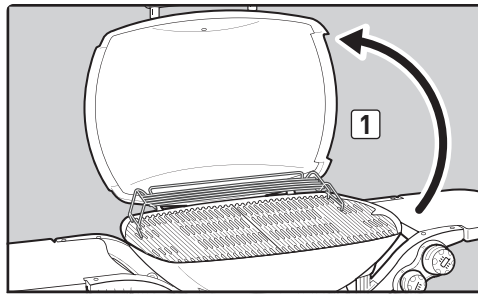
C) Turn the gas supply valve on (3).

D) Strike a match and put the flame under the matchlight hole (4). While holding lit match, light the outside burner by pushing the large burner control knob in and turning it counterclockwise to start/high (5) position (5).  
E) Check that the burner is lit by looking through the cooking grates. You should see a flame.

**⚠ WARNING: Do not lean over the open grill while igniting. Keep your face and body at least 12 in (30 cm) away from the matchlight hole when lighting the grill.**

**⚠ WARNING: If the burner fails to ignite within five seconds, stop, turn the burner control knob to off and wait five minutes to allow the gas to clear before you try again or light with a match.**

F) After the outside burner is lit, you can turn on the inside burner. Push in the small burner control knob and turn it to start/high (6). The inside burner will then be ignited by the outside burner.



## TO EXTINGUISH BURNER

Push each burner control knob in and turn it clockwise to the off (O) position. Turn gas supply off at the source.

## TIPS &amp; HINTS

- Always preheat the grill before cooking. Set burner(s) on high heat and close lid; preheat for 10 to 15 minutes.
- The temperature of your gas grill may run hotter than normal for the first few uses.
- Recipe grilling times are based on outside temperatures of 70°F (21°C) and little or no wind. Allow for more cooking time on cold or windy days, or at higher altitudes. Allow for less cooking time in extremely hot weather.
- Grilling conditions may require adjustment of the burner control knobs to attain the correct cooking temperatures.
- Sear meats and cook with the lid down for perfectly grilled food every time.
- Crowding food onto a cooking grate means more time will be required to cook the food.
- Trim excess fat from steaks, chops, and roasts, leaving no more than a scant ¼ inch (6.4 mm) of fat. Less fat makes cleanup easier, and is a virtual guarantee against unwanted flare-ups.
- In general, large pieces of meat will require more cooking time per pound (kilo) than small pieces of meat.
- Some foods, such as a casserole or thin fish fillets, will require a container for grilling. Disposable foil pans are very convenient, but any metal pan with ovenproof handles can also be used.
- Foods in containers, such as baked beans, will require more time if grilled in a deep casserole than in a shallow baking pan.
- Use tongs rather than a fork for turning and handling meats to avoid losing natural juices. Use two spatulas for handling large whole fish.
- Always be sure the cookbox and removable catch pan are clean and free from debris.
- Do not line the cookbox with foil. This could prevent the grease from flowing into the removable catch pan.
- If an unwanted flare-up should occur, turn burner(s) off and move food to another area of the cooking grate. Any flames will quickly subside. After flames subside, relight the grill. NEVER USE WATER TO EXTINGUISH FLAMES ON A GAS GRILL.
- Using a timer will help to alert you when “well done” is about to become “overdone.”
- A light coating of oil will help brown your food evenly and keep it from sticking to the cooking grate. Always brush or spray oil onto your food, not directly onto the cooking grate.
- When using a marinade, sauce or glaze with a high sugar content or other ingredients that burn easily, only brush it onto the food during the last 5 to 10 minutes of barbecuing.

## PREHEATING

Preheating the grill before grilling is important. To preheat: Light your grill according to the instructions in this Owner's Guide; then turn burner(s) to start/high (H) position, close the lid, and preheat grill. This will take 10 to 15 minutes depending on conditions such as air temperature and wind. After preheating, you can adjust the burner(s) as desired.

**⚠ WARNING: Should the burner(s) go out while grill is in operation, turn all gas valves off. Open the lid and wait five minutes before attempting to relight grill, using the igniting instructions.**

## COVERED COOKING

All grilling is done with the lid down to provide uniform, evenly circulated heat. With the lid closed, the gas grill cooks much like a convection oven. The thermometer in the lid, a feature on some of our grills, indicates the cooking temperature inside the grill. All preheating and grilling is done with the lid down. No peeking — heat is lost every time you lift the lid.

## GREASE COLLECTION SYSTEM

Unique cooking grate design features angled, cast-iron rails that deflect drippings away from the burner tube(s), preventing flare-ups that can char food. The remaining drippings flow into a removable catch pan that slides out for easy cleaning.






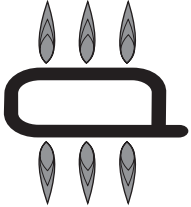




For more grilling tips and recipes, visit [www.weber.com](http://www.weber.com).

# COOKING METHODS

## DIRECT METHOD OR INDIRECT METHOD?

The most important thing to know about grilling is which cooking method to use for a specific food, direct or indirect. The difference is simple. With the direct method, which is similar to broiling, the food is cooked directly over the fire. With the indirect method, fire is arranged on either side of the food. The indirect method is similar to roasting, but with the added benefits of that grilled texture, flavor, and appearance you can't get from cooking with an oven. Using the right method is the shortest route to great results—and the best way to ensure doneness safety.

With each method, you can adjust the burners as desired. The control settings — HIGH, MEDIUM, LOW, or OFF — are described in the chart to the right. For example, to sear steaks, set both burners to HI, then to complete cooking, set both burners to LOW. For great grilling inspiration, visit [www.weber.com/recipes](http://www.weber.com/recipes).

COOKING METHOD AND USES	INSIDE BURNER CONTROL SETTING	OUTSIDE BURNER CONTROL SETTING
<b>PREHEAT</b>	 HIGH	 HIGH
<b>DIRECT LOW</b> Chicken pieces, sausage	 LOW	 LOW
<b>SEARING</b> Steak and items that need searing <i>Start by searing thick steaks over direct high heat...</i>  <i>...finish by cooking over direct low heat</i>	 HIGH	 HIGH
	 LOW	 LOW
<b>INDIRECT</b> Small whole chicken	 OFF	 MEDIUM

# TROUBLESHOOTING

## GENERAL TROUBLESHOOTING

PROBLEMS	SOLUTIONS
Burner does not ignite when you push the igniter button.	<p>Be sure that there is gas flow to the burners by attempting to match light your burners. Refer to "BURNER IGNITION—Lighting with a Match." If match lighting is successful, the problem lies in the ignition system. Refer to "MAINTAINING THE ELECTRONIC IGNITION SYSTEM."</p> <p>Be sure that wires are correctly inserted into terminals on igniter electrode assembly. Check that the wires are connected to terminals on the electronic igniter module. Refer to "MAINTAINING THE ELECTRONIC IGNITION SYSTEM."</p> <p>If a new battery is installed, confirm that battery's plastic wrapping has been removed. Verify that the battery is in good condition and has been installed correctly. Refer to "MAINTAINING THE ELECTRONIC IGNITION SYSTEM."</p>
Burner does not ignite, or flame is low when burner control knob is on high (H) position.	Fuel hose could be bent or kinked. Straighten fuel hose.
Burner flame pattern is erratic.	Clean burner ports that run down the entire length of burner tube. Refer to "ANNUAL MAINTENANCE."
Flame is low when burner control knob is on high (H) position.	
Flames do not run the whole length of the burner tube.	
Burners burn with a yellow or orange flame, in conjunction with the smell of gas.	Inspect spider/insect screens for possible obstructions. (Blockage of holes.) Clean spider/insect screens. Refer to "ANNUAL MAINTENANCE."
Experiencing flare-ups.	Grill must be preheated with all burners on high for 10 to 15 minutes.
<b>⚠ CAUTION: Do not line the cookbox with aluminum foil.</b>	Clean the cooking grates thoroughly to remove grease. Refer to "CLEANING THE INSIDE OF THE GRILL."
	The cookbox may be dirty and is not allowing grease to flow into removable catch pan. Clean cookbox. Refer to "CLEANING THE INSIDE OF THE GRILL."
Inside of lid appears to be "peeling." (Resembles paint peeling.)	The inside of the lid is cast aluminum. It is not painted. It cannot "peel." What you are seeing is baked-on grease that has turned to carbon and is flaking off. <b>THIS IS NOT A DEFECT.</b> Clean thoroughly. Refer to "CLEANING THE INSIDE OF THE GRILL."

If problems cannot be corrected by using these methods, please contact the Customer Service Representative in your area using the contact information on our web site. Log onto [www.weber.com](http://www.weber.com).

# ANNUAL MAINTENANCE

## KEEPING YOUR WEBER GRILL IN TIP-TOP SHAPE

### ⚠ DANGER

Failure to correct any problems described on this page may result in a fire, which can cause serious bodily injury or death, and cause damage to property.

To keep your WEBER gas grill performing as safely and efficiently as on day one, we strongly recommend that you inspect and clean the spider/insect screen(s) and burner tube(s) at least once a year. Below is important information about these two areas of the grill that should undergo annual maintenance.

If you observe an incorrect flame pattern or blocked burner port, proceed to the "BURNER TUBE CLEANING OR REPLACEMENT" instructions on the following page.

### BURNER FLAME PATTERN

The burner tube(s) in your WEBER gas grill was/were factory set for the correct air and gas mixture. The correct flame pattern is shown in illustration and described below:

- Burner tube(s) (1)
- Tips occasionally flicker yellow (2)
- Light blue (3)
- Dark blue (4)

Check burner flame pattern. If the flames do not match the above description, it could be an indication that the spider/insect screen(s) has/have become dirty or blocked.

### WEBER SPIDER/INSECT SCREEN(S)

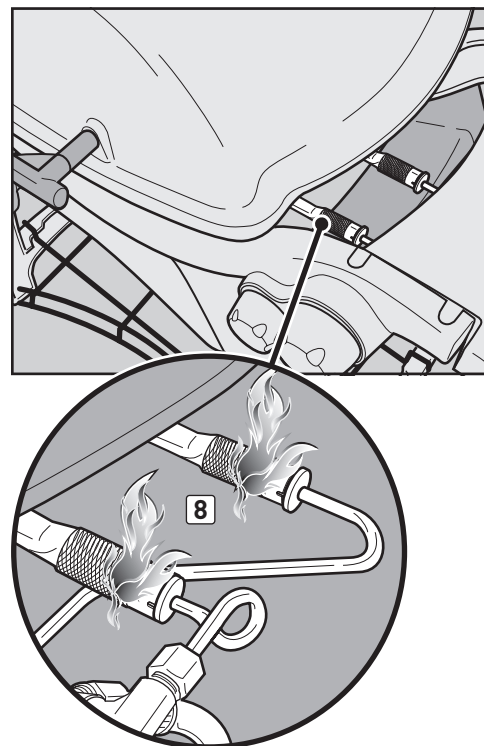
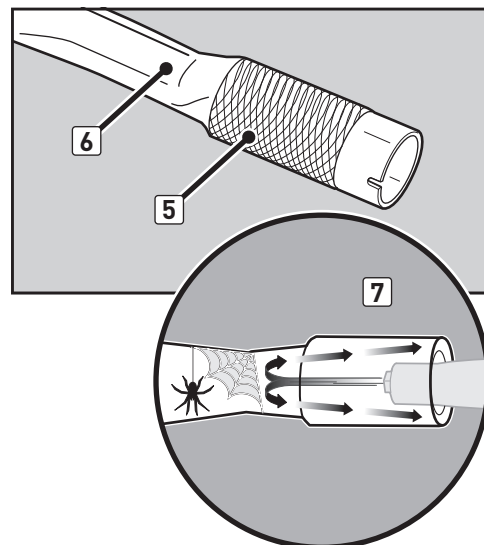
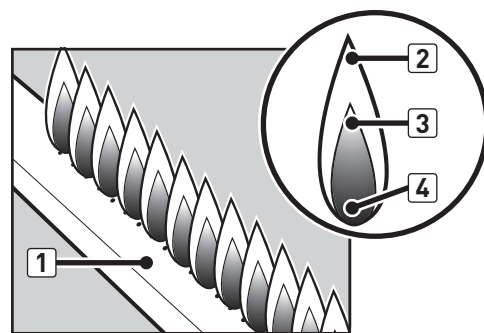
The combustion air opening(s) of the burner tube(s) (5) is/are fitted with stainless steel screen(s) to help prevent spiders and other insects from spinning webs and building nests inside the venturi section (6) of the burner tube(s). These nests can obstruct the normal gas flow, and can cause gas to flow back out of the combustion air opening(s) (7). Symptoms of this kind of obstruction include the odor of gas in conjunction with burner flames that appear yellow and lazy. This obstruction could result in a fire (8) in and around the gas valve(s), causing serious damage to your grill.

*NOTE: If a spider/insect screen becomes damaged or cannot be cleaned, please contact the Customer Service Representative in your area using the contact information on our web site. Log onto [www.weber.com](http://www.weber.com).*

### BURNER TUBE PORTS

Over time, from repeated use of the grill, the burner tube ports will become dirty. Blocked and dirty ports can restrict full gas flow. Following are ways to determine whether burner tube ports are dirty or blocked.

- Grill does not reach desired temperature
- Grill heats unevenly
- One or more of the burner(s) do not ignite



## BURNER TUBE CLEANING OR REPLACEMENT

### Confirm that Grill is Off and Cool

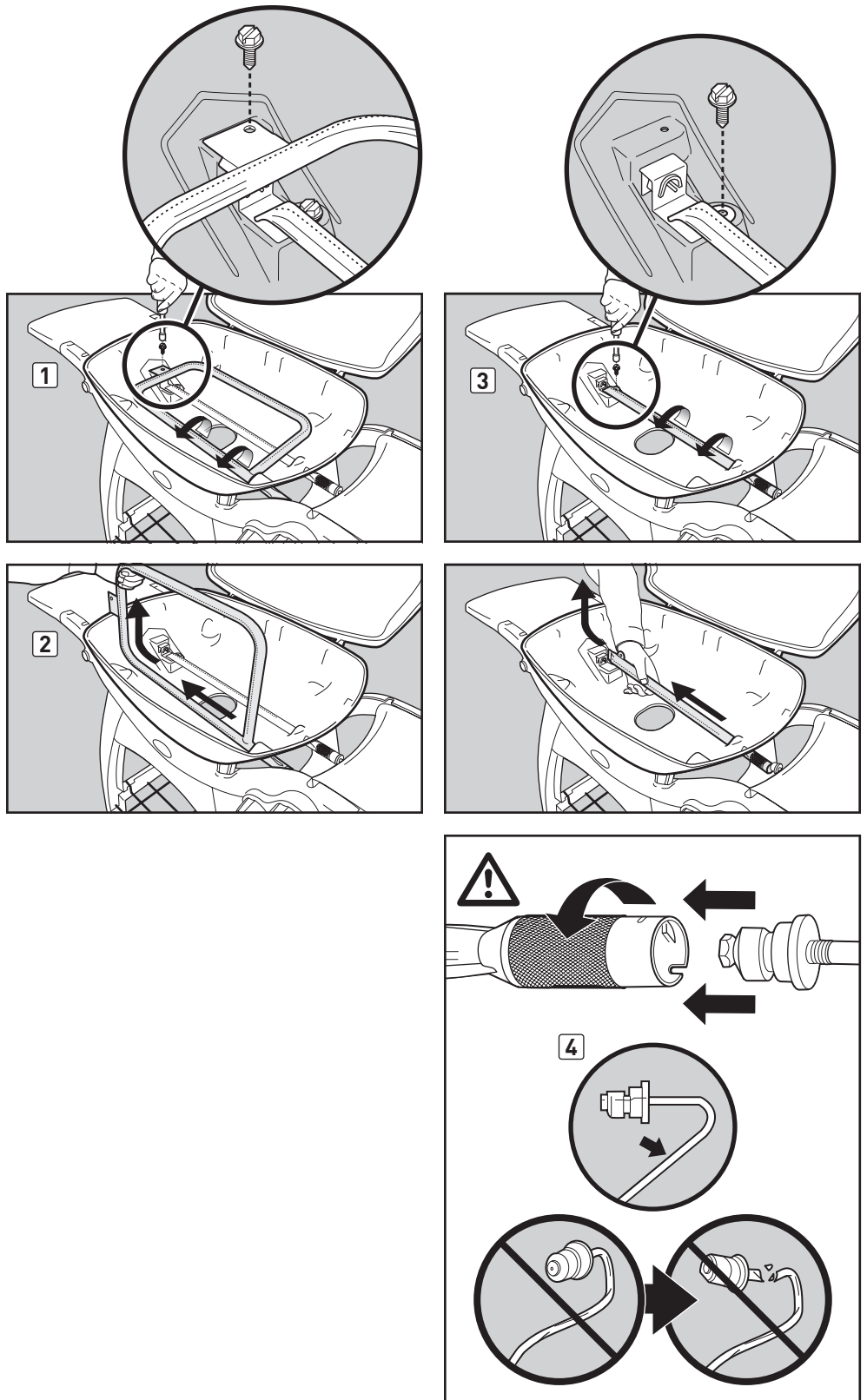
- A) Turn gas supply off at source and disconnect gas fitting.
- B) Check that all burner control knobs are in the off (O) position. Check by pushing burner control knobs in and turning them clockwise until they stop. If they do not turn, they are already off. If they do turn, continue turning them clockwise until they stop; then they are off.
- C) Open lid and remove cookbox components.

### Remove Burner Tubes

You will need: A 3/8" nut driver.

- A) Remove the screw that holds the outside burner tube to the cookbox (1).
- B) Rotate the outside burner tube 90°. Slide and lift burner tube away from valve orifice and remove from cookbox. (2)
- C) Repeat this procedure for the inside burner tube (3).

**⚠ CAUTION: Care must be taken when removing or reinstalling burner tubes. Do not force or bend the gas lines that connect the control valves to the burner tubes (4).**



# ANNUAL MAINTENANCE

## Clean Burner Tubes

You will need: A flashlight, a wire (a straightened-out coat hanger), a suitable stainless steel bristle brush, and a soft bristle brush (toothbrush).

- A) Look inside each burner tube with a flashlight (5).
- B) Clean any debris or blockage from the inside of the burner tubes with the wire (6).

- C) Check spider/insect screens at the ends of the burner tubes and clean them using the soft bristle brush (7).

**⚠ CAUTION: Do not clean the spider/insect screens with hard or sharp tools. Do not dislodge the spider/insect screens or enlarge the screen openings.**

- D) Use the steel bristle brush to clean the outside of the burner tubes. This is done to make sure all burner ports (openings) running along the length of the burner tubes are fully open (8).

**⚠ CAUTION: Do not enlarge the burner ports when cleaning.**

## Reinstall Burner Tubes

You will need: A 3/8" nut driver.

- A) Carefully slide the inside burner tube back into hole in right side of cookbox (9), aligning burner tube opening with valve orifice (10).

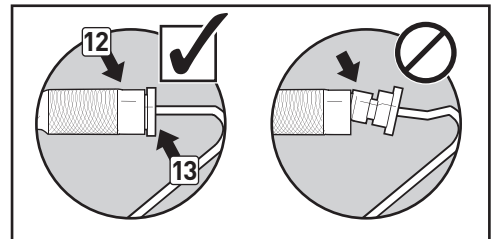
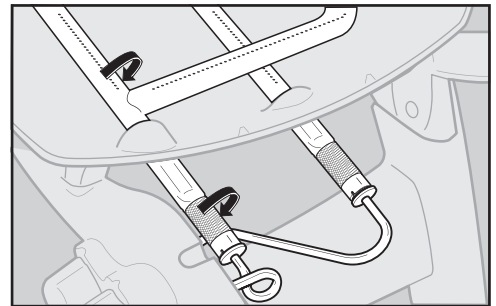
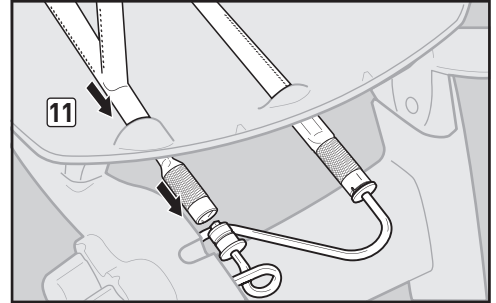
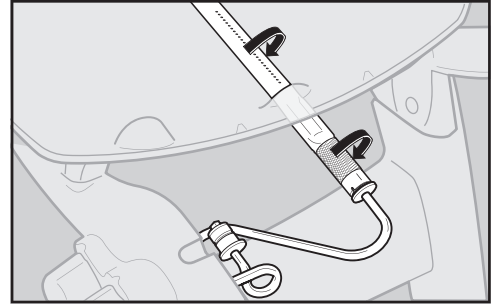
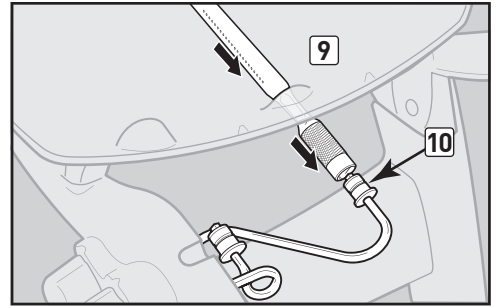
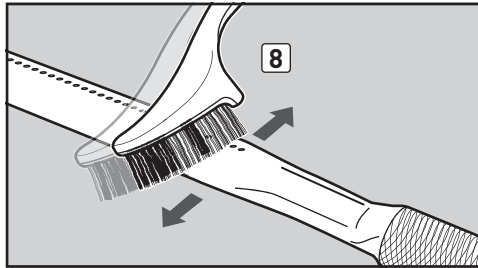
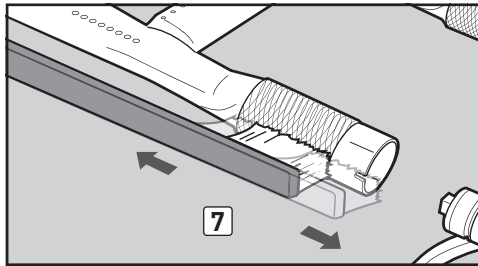
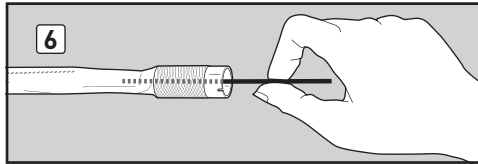
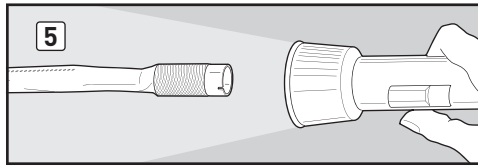
- B) Reinstall screw that holds the inside burner tube to the cookbox.

- C) Repeat this procedure for the outside burner tube (11).

**⚠ CAUTION: The burner tube openings (12) must be positioned properly over the valve orifices (13).**

**⚠ WARNING: You should check for gas leaks every time you disconnect and reconnect a gas fitting. Refer to "CHECKING FOR GAS LEAKS."**

- D) Replace cookbox components.





## BEAUTIFUL— INSIDE AND OUT

WEBER grill owners take a lot of pride in their grills. Flaunt your pride and joy. Keep your grill clean and beautiful—inside and out—by following these routine maintenance steps.

### CLEANING THE OUTSIDE OF THE GRILL

To keep the outside of your grill looking its best, use the following guidelines for safe cleaning.

**⚠ WARNING: Turn your WEBER gas grill off and wait for it to cool before cleaning it.**

#### Painted, Enameled and Plastic Surfaces

Use a warm, soapy water solution to clean outside surfaces; then rinse with water.

**IMPORTANT: Do not use cleaners that contain acid, mineral spirits, or xylene. Do not use oven cleaner, abrasive cleansers (kitchen cleansers), cleaners that contain citrus products, or abrasive cleaning pads on grill or cart surfaces.**

Fold-down tables are not to be used as cutting boards.

### CLEANING THE INSIDE OF THE GRILL

To keep your grill performing safely and efficiently, it is important to remove any debris and excess grease that may have accumulated on the inside of the grill. Use the following guidelines for safe cleaning.

#### Inside Lid

Flaking, built-up grease resembles paint flakes. Wipe inside of lid with paper towel to prevent grease build-up. Wash inside lid with warm, soapy water; then rinse with water.

#### Cookbox Components & Burner Tubes

You will need: A stainless steel bristle brush, and a stiff plastic scraper.

A) Scrape and brush the cooking grates with the scraper and brush. Remove the cooking grates and set aside.

**⚠ CAUTION: Grill brushes should be checked for loose bristles and excessive wear on a regular basis. Replace brush if any loose bristles are found on cooking grates or brush. WEBER recommends purchasing a new stainless steel grill brush at the beginning of every spring.**

**⚠ CAUTION: Do not clean cooking grates in a self-cleaning oven.**

B) Brush any debris off of burner tubes. Do not enlarge burner ports (openings) running along length of burner tube (1).

C) When cleaning is complete, replace the cooking grates.

#### Cookbox

Wash inside of cookbox with warm, soapy water; then rinse with water.

### Removable Catch Pan and Disposable Drip Pan

Your grill was built with a grease collection system, which funnels grease away from food and into a removable catch pan. For your convenience, you can also line the removable catch pan with a WEBER disposable drip pan, which will help keep the removable catch pan cleaner longer.

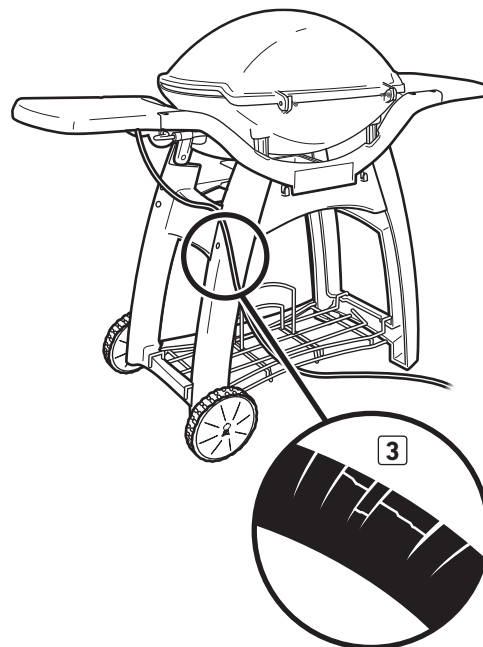
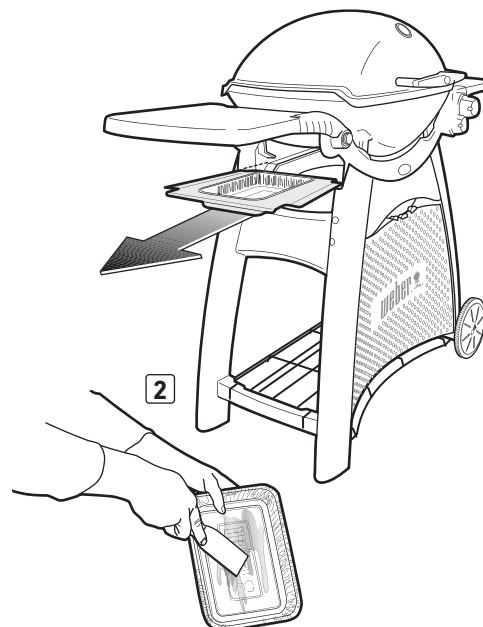
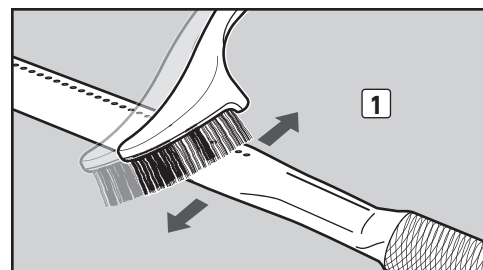
Cleaning the removable catch pan is just as important as cleaning the cookbox. Check the removable catch pan for grease build-up each time you use your grill. Remove excess grease with a plastic scraper (2). Wash the removable catch pan with warm, soapy water and rinse with water.

- ⚠ WARNING: Use caution when removing catch pan and disposing of hot grease.**
- ⚠ WARNING: Check the removable catch pan or disposable drip pan for grease build-up before each use. Remove excess grease to avoid a grease fire. A grease fire can cause serious bodily injury or damage to property.**
- ⚠ CAUTION: Do not line the cookbox, removable catch pan or disposable drip pan with aluminum foil.**

### HOSE INSPECTION

The hose should be inspected routinely for any signs of cracking (3).

- ⚠ WARNING: Check hose before each use of grill for nicks, cracking, abrasions or cuts. If the hose is found to be damaged in any way, do not use the grill. Replace using only WEBER authorized replacement hose. Contact the Customer Service Representative in your area using the contact information on our web site. Log onto [www.weber.com](http://www.weber.com).**



**To obtain replacement disposable drip pans and cooking grates, contact the local retailer in your area or log onto [www.weber.com](http://www.weber.com). If you need further assistance, contact your Customer Service Representative.**

## IGNITION SYSTEM OPERATIONS

The igniter supplies a spark to the igniter electrode assembly. Whether you are performing routine maintenance or a troubleshooting check on the ignition system, read the following to keep your ignition system working properly.

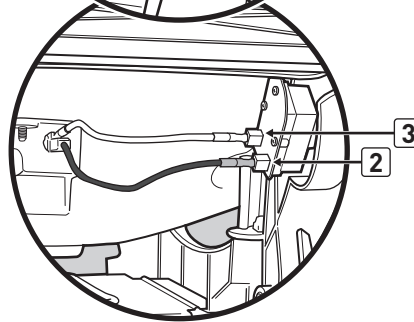
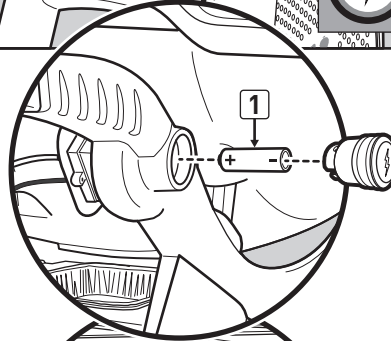
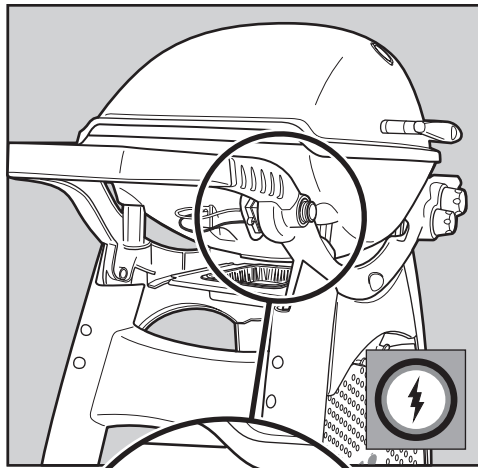
**⚠ WARNING: All gas controls and supply valves should be in the OFF position.**

If the igniter fails to ignite your Q grill, you will need to pinpoint where the problem is occurring: with the gas flow or with the ignition system. Begin by attempting to match light your burner. Refer to "BURNER IGNITION—Lighting with a Match." If match lighting is successful, the problem lies in the ignition system.

## MAINTAINING THE ELECTRONIC IGNITION SYSTEM

- Verify that the AAA battery (alkaline only) is in good condition and is installed correctly (1). Some batteries have a plastic protective wrap around them. This plastic must be removed before installing battery. Do not confuse this plastic with the battery label.
- Make sure that both igniter wires are properly attached to the igniter module. Black wire to black terminal (2), white wire to white terminal (3).
- Make sure the electronic igniter button is working by listening for clicking and looking for sparks at burner.

**If the electronic ignition system still fails to ignite, contact the Customer Service Representative in your area using the contact information on our web site. Log onto [www.weber.com](http://www.weber.com).**





# GUIA DEL USUARIO DEL ASADOR

LP

## REGISTRAR SU ASADOR

Gracias por su compra del asador WEBER. Tómese unos minutos para proteger su inversión. Registre su asador ingresando a [www.weber.com](http://www.weber.com). Refiérase al número de serie que se encuentra en la cubierta de esta guía del propietario.

### DEBE LEER ESTA GUÍA DEL PROPIETARIO ANTES DE PONER A FUNCIONAR LA BARBACOA DE GAS.

#### ⚠ PELIGRO

Si huele a gas:

- 1) Cierre el suministro de gas al artefacto.
- 2) Apague todas las flamas cerrando la válvula general de paso.
- 3) Abra la tapa.
- 4) Llame inmediatamente a la central de fugas o a su proveedor de gas.

Una fuga de gas puede provocar un incendio o explosión que puede resultar en lesiones corporales serias o la muerte, o daños a la propiedad.

Antes de poner a funcionar la asador, siga cuidadosamente todos los procedimientos en este manual para verificar que no existan fugas. Haga esto aun y cuando la asador haya sido ensamblada por el distribuidor.

#### ⚠ ADVERTENCIA

- 1) No almacene gasolina u otros fluidos inflamables en la cercanía de su aparato.
- 2) Ningún tanque de propano licuado que no esté conectado para su uso deberá almacenarse cerca de éste o cualquier otro artefacto doméstico.

No encienda este artefacto sin primero leer las secciones de ENCENDIDO DEL QUEMADOR de este manual.

**ESTE ARTEFACTO A GAS ESTÁ DISEÑADO PARA USARSE SOLAMENTE AL AIRE LIBRE.**

**AVISO AL INSTALADOR:** Estas instrucciones deben permanecer con el propietario, quien las deberá guardar para un futuro uso.

Before you begin



Enhance your assembly experience.

Download the free BILT™ app for 3D step-by-step instructions.



Descarga gratis la app BILT™ y sigue las instrucciones 3D paso a paso.  
Téléchargez gratuitement l'application BILT™ pour obtenir les instructions étape par étape en 3D.

Ensamblaje

## ⚠ PELIGRO

El hacer caso omiso de los avisos de PELIGROS, ADVERTENCIAS y PRECAUCIONES contenidos en esta Guía del Propietario podría resultar en lesiones corporales serias o la muerte, o en un fuego o explosión que cause daños materiales.

### ADVERTENCIAS:

- ⚠ El ensamblaje incorrecto de la barbacoa puede ser peligroso. Siga cuidadosamente las instrucciones de ensamblaje.
- ⚠ No use esta barbacoa a menos que todas sus partes estén instaladas en su debido lugar. La barbacoa debe ensamblarse correctamente de acuerdo a las instrucciones de ensamblaje.
- ⚠ La barbacoa de gas WEBER no debe ser nunca usada por niños. Partes accesibles de la barbacoa podrían estar muy calientes. Mantenga alejados a los niños pequeños mientras se esté usando.
- ⚠ Tenga cuidado al usar la barbacoa de gas WEBER. Estará caliente mientras se cocina en ella o se limpia, y nunca deberá dejarse desatendida ni moverse mientras esté funcionando.
- ⚠ No use carbón o piedra pómez en la barbacoa de gas WEBER.
- ⚠ Mientras enciende la barbacoa o cocina, nunca se incline sobre la barbacoa abierta.
- ⚠ Nunca coloque las manos o los dedos sobre el borde delantero de la caja de cocción cuando la barbacoa esté caliente o en la tapa esté abierta.
- ⚠ Mientras esté funcionando la barbacoa, no trate de desconectar ninguna conexión de gas.
- ⚠ Mientras opere la barbacoa, utilice guantes resistentes al calor.
- ⚠ Mantenga el área de cocinar libre de vapores y líquidos inflamables tales como gasolina, alcohol, etc. y materiales combustibles.
- ⚠ Si llegasen a apagarse los quemadores mientras esté operando la barbacoa, cierre todas las válvulas de gas. Abra la tapa y espere cinco minutos antes de tratar de volver a encender la barbacoa, siguiendo las instrucciones de encendido.
- ⚠ No utilice la barbacoa a menos de 24 pulgadas (610 mm) de distancia de materiales combustibles. Esto incluye las partes superiores, inferiores, posteriores y laterales de la barbacoa.
- ⚠ No incorpore este modelo de barbacoa como parte integral o deslizante de una construcción. El ignorar esta ADVERTENCIA podría ocasionar un fuego o una explosión que podría causar daños materiales y lesiones corporales graves o la muerte.
- ⚠ Utilice esta barbacoa solamente en un área bien ventilada al aire libre. No la utilice en un garaje, edificio, pasadizo techado o en cualquier otra área cerrada.
- ⚠ La barbacoa de gas WEBER no debe utilizarse debajo de un techo combustible.
- ⚠ La barbacoa de gas WEBER no ha sido diseñada para instalarse en o sobre vehículos o botes recreativos.
- ⚠ No almacene un tanque de propano licuado desconectado o de repuesto debajo o cerca de esta barbacoa.
- ⚠ Tras haber estado guardada o sin uso por algún tiempo, antes de usar la barbacoa de gas WEBER verifique que no existan fugas de gas u obstrucciones en el quemador. Consulte las instrucciones en esta Guía del Propietario para los procedimientos correctos.
- ⚠ No opere la barbacoa de gas WEBER si hay presente una fuga de gas.
- ⚠ No utilice una llama abierta para comprobar la existencia de fugas de gas.
- ⚠ No ponga una cubierta de barbacoa o cualquier cosa inflamable sobre la barbacoa, o en el área de almacenamiento debajo de la barbacoa, mientras la misma esté en funcionamiento o caliente.
- ⚠ El gas natural no es gas propano licuado. La conversión o intento de uso de gas propano licuado en una unidad de gas natural o gas natural en una unidad de gas propano licuado es peligroso y anulará la garantía.
- ⚠ Mantenga a cualquier cordón eléctrico y a la manguera de suministro de gas alejados de toda superficie caliente.
- ⚠ Al limpiar las válvulas o los quemadores, no ensanche los orificios de las válvulas o las aberturas de los quemadores.
- ⚠ La barbacoa de gas WEBER deberá limpiarse a fondo con regularidad.
- ⚠ Si la grasa llegase a agarrar fuego, apague todos los quemadores y mantenga la tapa cerrada hasta que se haya apagado el fuego.

### PROPOSICIÓN 65 DE CALIFORNIA:

- ⚠ **ADVERTENCIA:** Los subproductos de la combustión al utilizar este producto contienen sustancias químicas reconocidas por el estado de California como causantes de cáncer, defectos congénitos u otros daños reproductivos.
- ⚠ **PROPOSICIÓN 65 ADVERTENCIA:** La manipulación de las partes de latón de este producto le expone al plomo, una sustancia química reconocida por el estado de California como causante de cáncer, defectos congénitos u otros daños reproductivos. *Lávese las manos después de utilizar este producto.*



Los asadores que se ilustran en este Manual del Propietario pueden variar ligeramente con respecto al modelo comprado.



## ¿QUÉ ES EL GAS NATURAL?

Al gas natural (GN) se le denomina a menudo metano. El gas natural es suministrado por el servicio público local y deben estar fácilmente disponible si su casa ya tiene calefacción a gas.

### GAS NATURAL - LOS FUNDAMENTOS

Hay varias pautas y factores de seguridad que usted necesita tener en cuenta cuando se utiliza gas natural (GN). Siga cuidadosamente estas instrucciones antes de usar la barbacoa de gas WEBER.

- La barbacoa de gas natural se ensambla en la fábrica para operar con gas natural. Nunca trate de operar la barbacoa con gases que no sean del tipo especificado en la placa de características de la barbacoa.
- Esta barbacoa de gas WEBER está diseñada para usarse solamente con gas natural. No use gas propano licuado embotellado. Las válvulas, los orificios y la manguera son solamente para gas natural.
- Antes de usar una barbacoa de gas natural, es necesario asegurarse de que la línea de suministro desde su casa a la barbacoa ha sido instalada correctamente.
- No debe ser usada por niños.

### ESPECIFICACIONES DE LAS TUBERÍAS

Póngase en contacto con la municipalidad de la localidad para obtener los códigos de construcción que regulan las instalaciones de las barbacoas a gas al aire libre. Si no existiesen códigos locales, usted deberá cumplir con la más reciente edición del Código Nacional de Gas Combustible: ANSI Z223.1/NFPA 54 O CAN/CGA-B149.1, Natural Gas and Propane Installation Code. **RECOMENDAMOS QUE ESTA INSTALACIÓN SEA REALIZADA POR UN PROFESIONAL.**

A continuación se presentan algunos de los requisitos de carácter general tomados de los códigos.

- Esta barbacoa está diseñada para operar bajo una presión de 7 pulgadas de columna de agua (0,2526 psi).
- Una válvula de cierre manual debe ser instalada al aire libre, inmediatamente antes de la desconexión rápida.
- Una válvula de cierre manual adicional bajo techo deberá instalarse en la línea auxiliar de gas combustible en una ubicación accesible cerca de la línea de suministro.
- El desconectador rápido se conecta a un rosca de 3/8" NPT de la fuente de gas. El accesorio de desconexión rápida es un dispositivo accionado manualmente que cierra automáticamente el flujo de gas de la fuente cuando se desconecta la barbacoa.
- El accesorio de desconexión rápida se puede instalar horizontalmente o apuntando hacia abajo, pero nunca hacia arriba. Su instalación con el extremo abierto hacia arriba puede resultar en la acumulación de agua y de residuos en el accesorio de desconexión rápida.
- Las tapas contra polvo (tapones de plástico suministrados con la parrilla) ayudan a mantener limpios los extremos abiertos del accesorio de desconexión rápida mientras el aparato está desconectado.
- Al hacer las conexiones, sólo use un compuesto para tubos que sea resistente a la acción del gas natural.
- Las conexiones de gas deben fijarse firmemente a elementos de construcción rígidos y permanentes.

**⚠ ADVERTENCIA: No coloque la manguera de diez pies (3 m) por debajo del piso. La manguera debe ser visible.**

- Para el tamaño y la longitud correctos de la tubería de gas, consulte la última edición del Código Nacional de Gas Combustible: ANSI Z 223.1/NFPA 54 o CAN/CGA-B149.1, Natural Gas and Propane Installation Code.
- La tubería de gas puede ser de tubos de cobre, tipo K o L; de tubos de plástico de polietileno, con un espesor mínimo de pared de 0,062" (1,6 mm); o de tubos de acero o hierro maleable de peso estándar (cédula 40).
- Los tubos de cobre deberán estar revestidos de estaño si el gas contiene más de 0,3 gramos de sulfuro de hidrógeno por 100 pies cúbicos de gas.
- La tubería de plástico es sólo apta para uso subterráneo en exteriores.
- La tubería de gas en contacto con la tierra, o cualquier otro material que pudiera corroerla, debe estar protegida contra la corrosión de una manera aprobada.
- Las tuberías bajo tierra deberá tener una cubierta mínima de 18" (46 cm).

### ALMACENAJE Y/O FALTA DE USO

La válvula de gas en el cilindro de propano licuado debe mantenerse cerrada mientras la barbacoa de gas WEBER esté sin usarse.

- Si va a guardar la barbacoa de gas WEBER en un lugar cerrado, primero DESCONECTE el suministro de gas.

Para las barbacoas que hayan estado almacenadas o hayan estado sin utilizarse durante un tiempo, es importante seguir estas pautas:

- Antes de usar, se deberá verificar que la barbacoa de gas WEBER no tenga fugas de gas ni obstrucciones en los tubos de los quemadores. (Consulte la sección de "MANTENIMIENTO ANUAL.")
- Asegúrese de que el área debajo del panel de control y la bandeja deslizante de grasa no tengan desechos que pudiesen obstruir el flujo de aire de combustión o de ventilación.
- También deberá revisarse que la malla contra arañas e insectos no esté obstruida. (Consulte la sección de "MANTENIMIENTO ANUAL").

### PRUEBA DE PRESIÓN DEL SUMINISTRO DE GAS

- Desconecte la barbacoa de gas WEBER cuando el suministro de gas está siendo probado a altas presiones.

- Este aparato y su válvula de paso individual deberán desconectarse de la tubería de suministro de gas durante cualquier prueba de presión de dicho sistema a presiones de prueba en exceso de 1/2 psig (3,5 kPa).
- Apague la barbacoa de gas WEBER, cuando el suministro de gas se esté probando a bajas presiones. Durante cualquier prueba a presión del sistema de suministro por tubería a una presión igual o menor a 1/2 psig (≤3,5 kPa), este aparato deberá aislarse de dicho sistema de suministro cerrando su válvula de paso manual individual.

### PRUEBAS DE LAS CONEXIONES

Para asegurarse de que no tengan fugas, todas las conexiones y uniones deben ser probadas exhaustivamente de acuerdo con los códigos locales y los procedimientos indicados en la edición más reciente del Código Nacional de Gas Combustible: ANSI Z223.1/NFPA 54 o CAN/CGA-B149.1.

### CÓDIGOS DE INSTALACIÓN DE LOS EE.UU.

La instalación debe acatar los códigos locales o, en la ausencia de estos, bien sea el código nacional de gases combustibles "National Fuel Gas Code, ANSI Z223.1/NFPA 54", código para las instalaciones de gas natural y propano "Natural Gas and Propane Installation Code, CSA B149.1"; o el código de manejo y almacenaje de propano "Propane Storage and Handling Code, B149.2"; o la Norma de Vehículos Recreativos, ANSI A 119.2/NFPA 1192 y CSA Z240 RV Series, "Recreational Vehicle Code", según proceda.

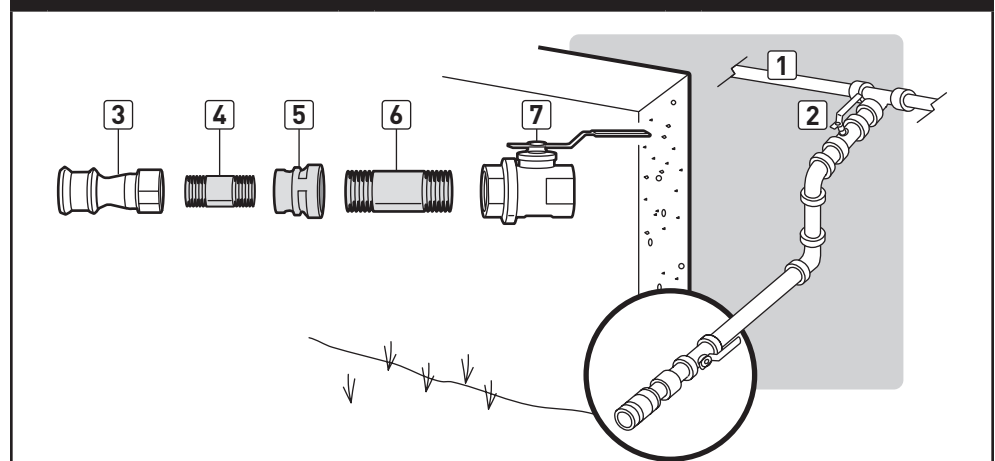
### INSTALACIÓN CANADIENSE

Estas instrucciones, aunque de manera general son aceptables, no necesariamente cumplen con los códigos de instalación canadienses, en particular en lo que respecta a tuberías bajo y sobre tierra. En Canadá, la instalación de este aparato debe cumplir con los códigos locales y/o la más reciente edición de la Norma CAN/CGA-B149.1 (Código de Instalaciones de Gas Natural y Propano).

### PARA COMPRAS HECHAS EN MÉXICO

Si hubiese códigos locales que se aplicasen a los asadores de gas portátiles, usted deberá cumplir con la más reciente edición de NOM.

### INSTALACIÓN TÍPICA DE LA TUBERÍA



Esta es una instalación típica de una barbacoa de gas natural WEBER. Los códigos locales pueden requerir diferentes instalaciones.

DENTRO DE LA CASA		FUERA DE LA CASA	
1	Suministro de gas	3	Desconexión rápida
2	Válvula de cierre	4	Niple de 3/8 de pulgada
		5	Acoplamiento reductor
		6	Niple de 1/2 pulgada
		7	Válvula de cierre con trabador
		8	No utilizar

**NO USAR NUNCA NINGÚN TIPO DE CONECTOR ACAMPANADO EN ESTA INSTALACIÓN.**

# CONEXIÓN AL SUMINISTRO DE GAS

## CASI LISTO PARA ASAR

Un dispositivo de conexión rápida conecta la barbacoa al suministro de gas. Una vez hecha la conexión, se necesitará verificar que no haya fugas.

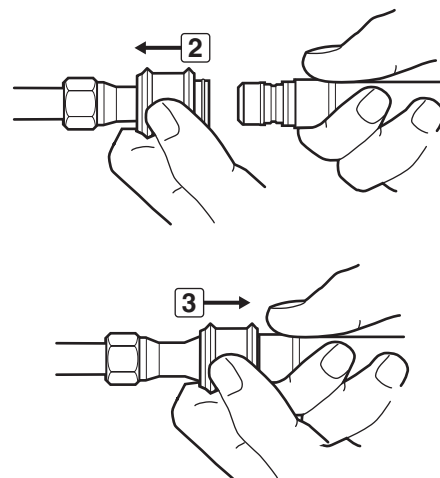
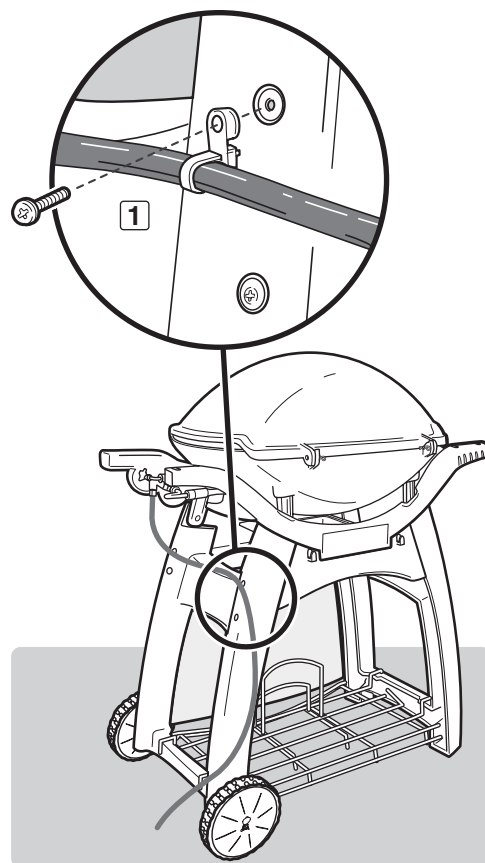
### CONEXIÓN DE LA MANGUERA FLEXIBLE AL SUMINISTRO DE GAS

- A) Retire el tornillo de la pata derecha del carro. Inserte la abrazadera de retención de la manguera. Vuelva a instalar el tornillo (1).
- ⚠ **ADVERTENCIA: La manguera debe sujetarse a la pata del carro usando la abrazadera de retención. El no hacerlo podría causar daños a la manguera ocasionando un fuego o explosión, que pueden causar lesiones corporales o la muerte y daños materiales.**
- B) Cierre el suministro de gas en la fuente del mismo.
- C) Deslice el collar de la desconexión rápida hacia atrás (2).
- D) Presione la conexión macho de la manguera dentro de la desconexión rápida y mantenga la presión. Deslice el collar para cerrar (3). Si no se acopla o engancha, repita el procedimiento.

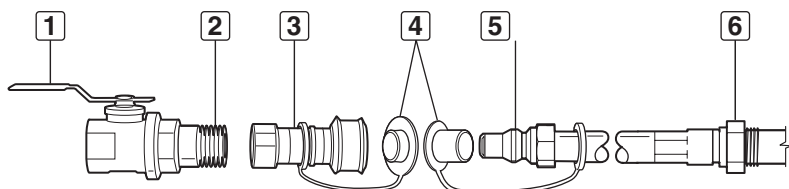
Este procedimiento produce una junta de gas. El gas no fluirá a menos que la desconexión rápida esté acoplada correctamente. Para desconectar la manguera, empuje el collar hacia atrás y hale el macho hacia afuera. (Esto cierra automáticamente el gas.)

Su asador WEBER viene equipado con una manguera de un modelo específico que se fijó durante el proceso de fabricación. Debe usar esta manguera específica para lograr un rendimiento adecuado. Si la manguera se desgasta o daña, póngase en contacto con el representante de Servicio al Cliente en su área usando la información de contacto que se encuentra en nuestro sitio Web.

*Nota: No abra el suministro de gas hasta que haya realizado una prueba de fugas. Consulte "REVISIONES PARA DETECTAR FUGAS DE GAS."*



### CONEXIÓN DE LA MANGUERA DE GAS NATURAL



1	Válvula de cierre	4	Tapas contra polvo
2	Niple	5	Male connection
3	Enchufe	6	Conexión macho

## ¿QUÉ ES UNA PRUEBA DE DETECCIÓN DE FUGAS?

El sistema de combustible del asador cuenta con conexiones y accesorios. Una prueba de detección de fugas es una manera confiable de asegurarse de que no se esté escapando gas de alguna de las conexiones o accesorios.

Aunque todas las conexiones realizadas en fábrica han sido revisadas a fondo para detectar fugas de gas, es importante realizar una prueba de detección de fugas antes de utilizar el asador por primera vez, así como cada vez que conecte o desconecte una conexión y cada vez que realice el mantenimiento de rutina.

### ⚠ PELIGRO

**No utilice una llama abierta para comprobar si existen fugas de gas. Asegúrese de que no haya chispas o llamas abiertas en el área mientras comprueba si existen fugas. Chispas o llamas causarán un fuego o explosión, las cuales pueden causar graves lesiones corporales o la muerte y daños materiales.**

**⚠ ADVERTENCIA:** Las conexiones de gas de la barbacoa de gas han sido probadas en la fábrica. Le recomendamos inspeccione todas las conexiones de gas antes de operar la barbacoa de gas.

**⚠ ADVERTENCIA:** Lleve a cabo estos chequeos de fugas incluso si la barbacoa ha sido ensamblada por el distribuidor o en la tienda.

**⚠ ADVERTENCIA:** Cada vez que conecte o desconecte una conexión de gas, deberá verificar que no haya fugas de gas.

*NOTA: Todas las conexiones hechas en la fábrica han sido revisadas a fondo para detectar fugas de gas y los quemadores han sido probados con la llama encendida. Como medida de seguridad, sin embargo, antes de utilizar el barbacoa de gas WEBER usted debe comprobar todas las conexiones para asegurarse de que no tengan fugas. Durante el manejo y transporte puede haberse aflojado o dañado alguna conexión de gas.*

## PRUEBAS DE DETECCIÓN DE FUGAS DE GAS

Usted necesitará: Una botella de spray o una brocha o un trapo y una solución de agua y jabón. (Puede preparar su propia solución de jabón y agua mezclando 20% de jabón líquido con 80% de agua; o, puede comprar una solución de detección de fugas en la sección de plomería de cualquier ferretería.)

A) Verifique que **TODAS** las perillas de control de los quemadores estén en la posición (O) apagada (1). Las perillas de control de los quemadores son despachadas en la posición (O) apagada, pero usted debe comprobar que efectivamente estén apagadas. Verifíquelo presionando las perillas de control de los quemadores y girándolas en sentido de las agujas del reloj. Si no giran, están apagadas. Si sí giran, siga girándolas en sentido de las agujas del reloj hasta que se detengan; entonces estarán apagadas.

B) Abra el suministro de gas en la fuente (2).

**⚠ ADVERTENCIA: No encienda los quemadores mientras esté verificando la existencia de fugas.**

C) Para comprobar si hay fugas, moje las conexiones con la solución de jabón y agua, utilizando una botella de spray, una brocha o un trapo. Si se forman burbujas, o si una burbuja crece, es que hay una fuga. Aplique la solución de jabón y agua a las siguientes conexiones:

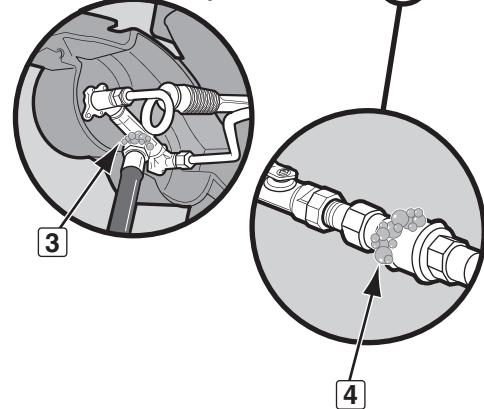
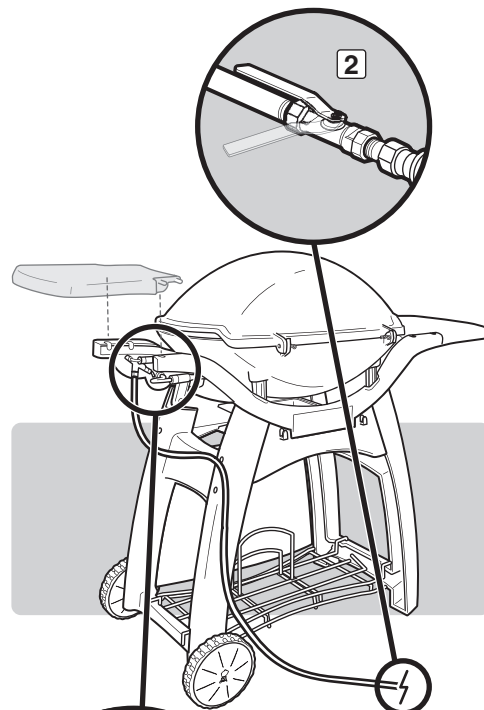
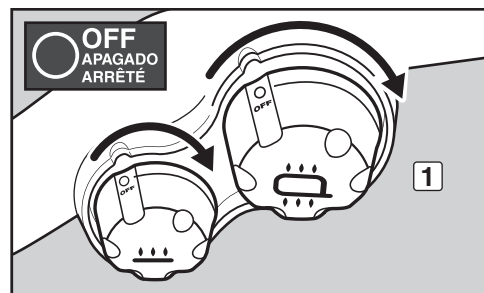
- La conexión de la manguera al múltiple (3).
- Conexión de la manguera flexible a la desconexión rápida (4).

**⚠ ADVERTENCIA: Si hubiese una fuga en las conexiones (3 o 4), cierre el gas. NO OPERE LA BARBACOA. Contacte al Representante de Servicios al Cliente en su área utilizando la información de contacto en nuestro sitio web. Conéctese a [www.weber.com](http://www.weber.com).**

D) Cuando se haya completado la comprobación de las fugas de gas, cierre el suministro de gas en la fuente y enjuague las conexiones con agua.

*NOTA: Dado que algunas soluciones para la detección de fugas, incluyendo el agua y jabón, pueden ser ligeramente corrosivas, todas las conexiones deberán enjuagarse con agua después de realizar las pruebas de detección de fugas.*

Ahora ya está listo para usar la barbacoa.





## LA SEGURIDAD PRIMERO

Es una buena idea entrar en el hábito de realizar unos cuantos chequeos de seguridad antes de empezar a asar a la parrilla.

La seguridad debe ser considerada cuando se está decidiendo dónde colocar y operar la barbacoa. Asegúrese de leer las siguientes advertencias antes de instalar o de usar la barbacoa.

### ADVERTENCIAS:

- ⚠ Utilice esta barbacoa solamente en un área bien ventilada al aire libre. No la utilice en un garaje, edificio, pasadizo techado o en cualquier otra área cerrada.
- ⚠ La barbacoa de gas WEBER no debe utilizarse debajo de un techo combustible.
- ⚠ La barbacoa de gas WEBER no ha sido diseñada para instalarse en o sobre vehículos o botes recreativos.
- ⚠ No utilice la barbacoa a menos de 24 pulgadas (61 cm) de distancia de materiales combustibles. Esto incluye las partes superiores, inferiores, posteriores y laterales de la barbacoa.
- ⚠ Mantenga el área de cocinar libre de vapores y líquidos inflamables tales como gasolina, alcohol, etc. y materiales combustibles.
- ⚠ La caja de cocción entera se calienta al usarse. No la toque.
- ⚠ No mueva la barbacoa de gas WEBER mientras esté en operación o esté caliente.

## PLATO RECOLECTOR DESMONTABLE Y BANDEJA DE GOTEO DESECHABLE

La barbacoa fue construida con un sistema de captación de grasa, que conduce la grasa en dirección contraria a los alimentos y hacia un plato recolector desmontable. Para su comodidad, también puede forrar el plato recolector desmontable con una bandeja de goteo desechable WEBER, que le ayudará a mantener el plato recolector desmontable limpio durante más tiempo.

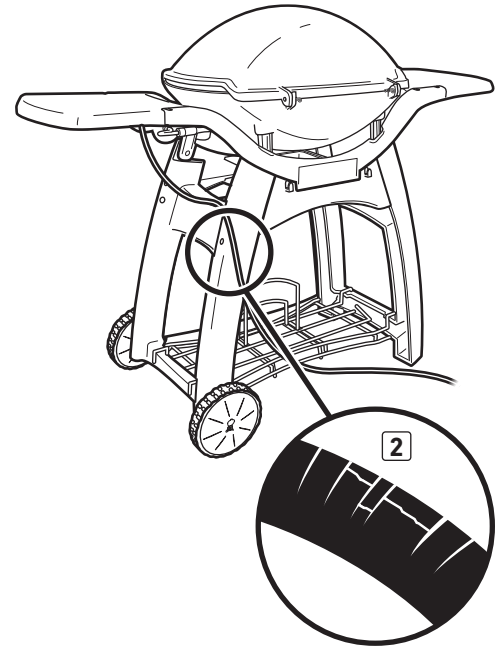
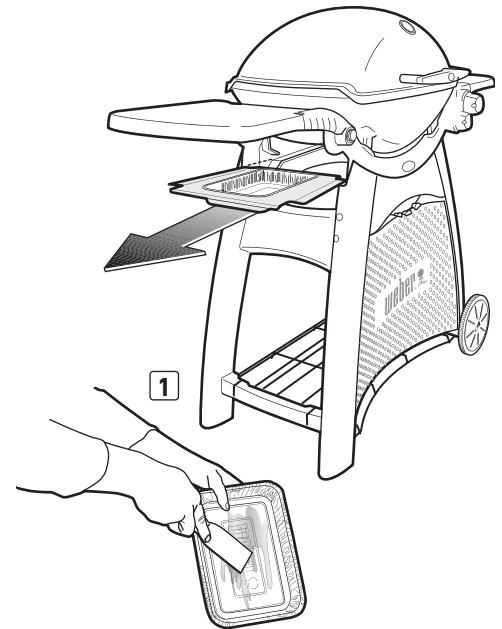
El limpiar el plato recolector desmontable es tan importante como la limpieza de la caja de cocción. Cada vez que vaya a usar la barbacoa, compruebe que no se haya acumulado grasa en el plato recolector desmontable. Elimine el exceso de grasa con una espátula de plástico (1). Lave el plato recolector desmontable con agua jabonosa y enjuáguelo con agua limpia.

- ⚠ **ADVERTENCIA:** Ponga atención al extraer el colector y desechar la grasa si está caliente.
- ⚠ **ADVERTENCIA:** Previo a cada uso, revise si hay acumulación de grasa en el plato recolector desmontable o en la bandeja de goteo desechable. Elimine cualquier exceso de grasa para evitar un incendio. Un incendio de grasa puede causar lesiones corporales graves o daños materiales.
- ⚠ **PRECAUCIÓN:** No forre la caja de cocción, el plato recolector desmontable o la bandeja de goteo desechable con papel de aluminio.

### INSPECCIÓN DE LA MANGUERA

Se debe inspeccionar la manguera para detectar cualquier señal de agrietamiento (2).

- ⚠ **ADVERTENCIA:** Cada vez que vaya a usar la barbacoa, inspeccione la manguera y asegúrese de que no tenga muescas, grietas, abrasiones o cortes. Si se encontrase que la manguera estuviese dañada de cualquier manera, no utilice la barbacoa. Reemplácela utilizando solamente una manguera de repuesto autorizada por WEBER. Contacte al Representante de Servicios al Cliente en su área utilizando la información de contacto en nuestro sitio web. Conéctese a [www.weber.com](http://www.weber.com).



## MÉTODOS DE ENCENDIDO DEL QUEMADOR

Hay dos formas de encender el quemador. La primera es mediante el uso del sistema de encendido incorporado a su asador. La segunda es con un cerillo.

A continuación se indican los pasos para encender el asador con el sistema de encendido. En la página siguiente se encuentran los pasos para encender el asador con un cerillo.

Instrucciones de encendido resumidas están fijadas en la pata del carro ubicada debajo de las perillas de control de los quemadores.

### ENCENDIDO DEL QUEMADOR

#### Sistema de encendido electrónico

El sistema de encendido electrónico enciende el quemador mediante una chispa proveniente del electrodo del encendedor ubicado dentro de la cámara de encendido Gas Catcher™. Usted genera la energía de la chispa al pulsar el botón del encendedor. Oirá al encendedor chisporrotear.

A) Abra la tapa de la barbacoa (1).

#### ⚠ PELIGRO

**El no abrir la tapa mientras se estén encendiendo los quemadores de la barbacoa, o no esperar cinco minutos para que el gas se disipe si la barbacoa no se enciende, puede resultar en una llamarada explosiva, la cual puede causar lesiones corporales graves o la muerte.**

B) Asegúrese de que **TODAS** las perillas de control de los quemadores estén apagadas (2). Verifíquelo presionando las perillas de control y girándolas en sentido de las agujas del reloj hasta el tope.

⚠ **ADVERTENCIA:** Las perillas de control de los quemadores deberán estar en la posición (○) apagada antes de abrir la válvula del cilindro de propano licuado. Si no están en la posición (○) apagada, cuando abra la válvula del cilindro de propano licuado se activará el “control de flujo excesivo de gas” y limitará el flujo de gas proveniente del cilindro de propano licuado. Si esto llegase a ocurrir, cierre la válvula del cilindro de propano licuado y las perillas de control del quemador. Comience de nuevo.

#### ⚠ PELIGRO

Quando se activa el “control de flujo excesivo de gas”, una pequeña cantidad de gas sigue fluyendo a los quemadores. Después de cerrar la válvula del cilindro de propano licuado y las perillas de control de los quemadores, espere por lo menos cinco minutos para que el gas se disipe antes de tratar de encender la barbacoa. El no hacer esto podría resultar en una llamarada explosiva que puede causar lesiones corporales graves o la muerte.

- C) Abra la válvula de suministro de gas (3).
- D) Encienda el quemador externo presionando la perilla grande de control del quemador y girándola en sentido contrario a las agujas del reloj hasta la posición (⚡) de encendido/fuego alto (4).
- E) Pulse y mantenga presionado el botón del encendedor (5). Oirá al encendedor chisporrotear.
- F) Verifique que el quemador esté encendido viendo hacia abajo a través de las parrillas de cocción. Deberá ver una llama.

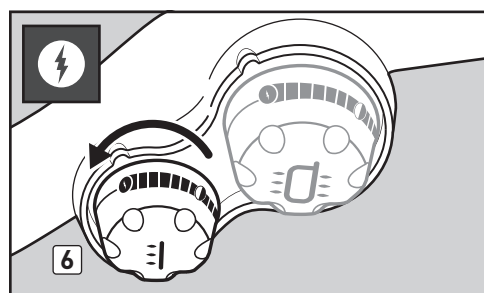
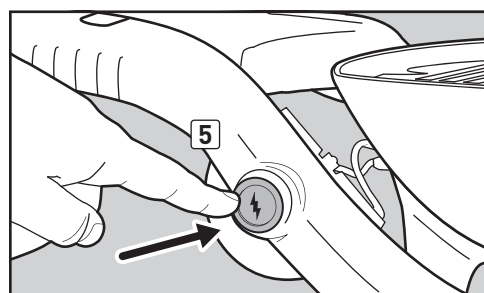
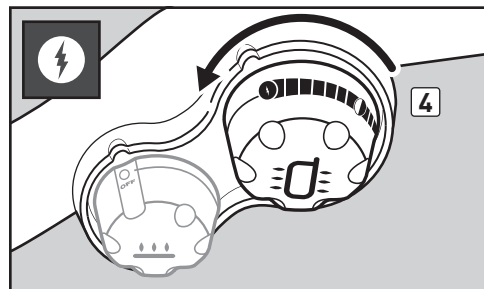
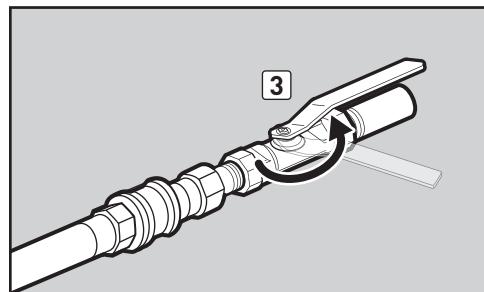
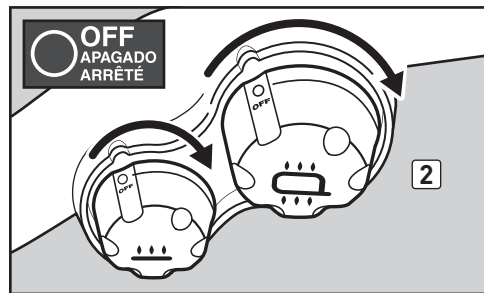
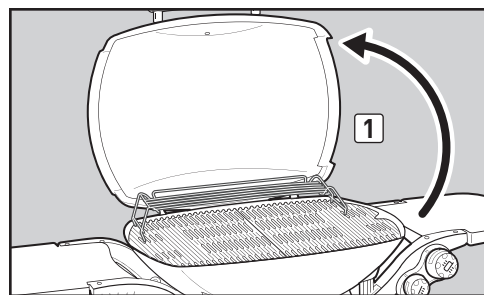
⚠ **ADVERTENCIA:** Mientras enciende la barbacoa o cocina, nunca se incline sobre la barbacoa abierta.

⚠ **ADVERTENCIA:** Si el quemador no llegase a encenderse en el lapso de cinco segundos, pare, cierre la perilla de control del quemador y espere cinco minutos para permitir que el gas se disipe antes de volver a intentarlo o encender la barbacoa con un cerillo.

- G) Una vez se haya encendido el quemador externo, puede proceder a encender el quemador interno. Presione la perilla pequeña de control del quemador y gírela a la posición (⚡) de encendido/fuego alto (6). El quemador interno entonces será encendido por el quemador externo.

#### PARA APAGAR EL QUEMADOR

Presione cada perilla de control de los quemadores y gírelas en sentido de las agujas del reloj a la posición (○) apagada. Cierre el suministro de gas en la fuente del mismo.



**Algunas baterías cuentan con un envoltorio protector de plástico alrededor de ellas. Este plástico debe ser retirado antes de intentar encender el asador. No confunda este plástico con la etiqueta de la batería.**

# ENCENDIDO Y USO DEL QUEMADOR

## ENCENDIDO DEL QUEMADOR

### Encendido con un cerillo

A) Abra la tapa de la barbacoa (1).

#### ⚠ PELIGRO

El no abrir la tapa mientras se estén encendiendo los quemadores de la barbacoa, o no esperar cinco minutos para que el gas se disipe si la barbacoa no se enciende, puede resultar en una llamarada explosiva, la cual puede causar lesiones corporales graves o la muerte.

B) Asegúrese de que **TODAS** las perillas de control de los quemadores estén apagadas (2). Verifíquelo presionando las perillas de control y girándolas en sentido de las agujas del reloj hasta el tope.

⚠ **ADVERTENCIA:** Las perillas de control de los quemadores deberán estar en la posición (O) apagada antes de abrir la válvula del cilindro de propano licuado. Si no están en la posición (O) apagada, cuando abra la válvula del cilindro de propano licuado se activará el “control de flujo excesivo de gas” y limitará el flujo de gas desde el cilindro de propano licuado. Si esto llegase a ocurrir, cierre la válvula del cilindro de propano licuado y las perillas de control del quemador. Comience de nuevo.

#### ⚠ PELIGRO

Cuando se activa el “control de flujo excesivo de gas”, una pequeña cantidad de gas sigue fluyendo a los quemadores. Después de cerrar la válvula del cilindro de propano licuado y las perillas de control de los quemadores, espere por lo menos cinco minutos para que el gas se disipe antes de tratar de encender la barbacoa. El no hacer esto podría resultar en una llamarada explosiva que puede causar lesiones corporales graves o la muerte.

C) Abra la válvula de suministro de gas (3).

D) Encienda un cerillo y coloque la llama debajo del orificio para las llamas de cerillos (4). Mientras sostiene el cerillo encendido, encienda el quemador externo presionando la perilla grande de control del quemador y girándola en dirección contraria a las agujas del reloj hasta la posición (H) de encendido/fuego alto (5).

E) Verifique que el quemador esté encendido viendo hacia abajo a través de las parrillas de cocción. Deberá ver una llama.

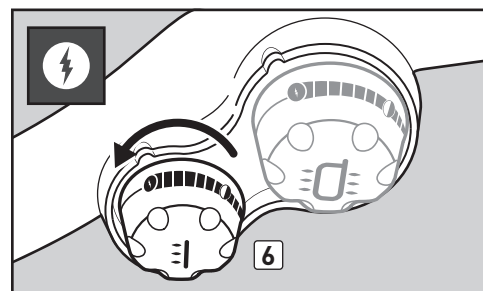
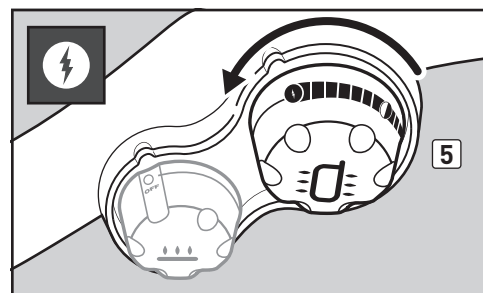
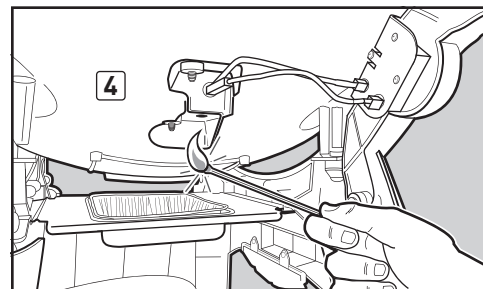
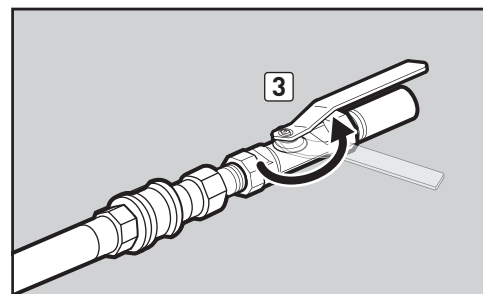
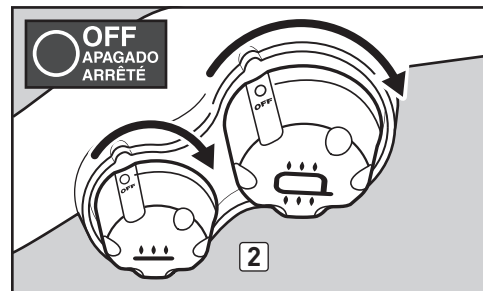
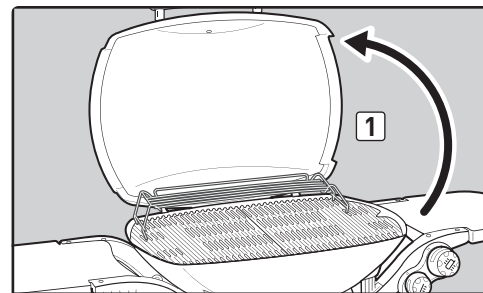
⚠ **ADVERTENCIA:** Mientras lo enciende, no se incline sobre la barbacoa abierta. Al encender la barbacoa, mantenga su cara y cuerpo alejados por lo menos a una distancia de 12" (30 cm) del orificio de encendido con cerillo.

⚠ **ADVERTENCIA:** Si el quemador no llegase a encenderse en el lapso de cinco segundos, pare, cierre la perilla de control del quemador y espere cinco minutos para permitir que el gas se disipe antes de volver a intentarlo o encender la barbacoa con un cerillo.

F) Una vez se haya encendido el quemador externo, puede proceder a encender el quemador interno. Presione la perilla pequeña de control del quemador y gírela a la posición (H) de encendido/fuego alto (6). El quemador interno entonces será encendido por el quemador externo.

### PARA APAGAR EL QUEMADOR

Presione cada perilla de control del quemador y gírela en sentido de las agujas del reloj a la posición (O) de apagado. Cierre el suministro de gas en la fuente del mismo.



## CONSEJOS Y RECOMENDACIONES

- Siempre precaliente el asador antes de cocinar en la misma. Ajuste el/los quemador(es) a fuego alto y cierre la tapa; precaliente durante 10 a 15 minutos.
- La temperatura del asador de gas puede alcanzar temperaturas más calientes de lo normal durante los primeros usos.
- Los tiempos de las recetas de asado a la parrilla se basan en una temperatura exterior de 70°F (21°C) y con escaso o ningún viento. Permita un mayor tiempo de cocción en días fríos o de viento, o a mayores altitudes. Permita menos tiempo de cocción en climas extremadamente calurosos.
- Las condiciones de asado a la parrilla pueden requerir el ajuste de las perillas de control de los quemadores para alcanzar las temperaturas de cocción correctas.
- Para alimentos siempre perfectamente asados, dore las carnes y cocine con la tapa cerrada.
- El aglomerar alimentos sobre una parrilla de cocción significa que se requerirá más tiempo para cocinar los alimentos.
- Recorte el exceso de grasa de los bistecs, chuletas y asados, dejando apenas ¼ de pulgada (6.4 mm) de grasa. Menos grasa facilita la limpieza, y es una garantía casi absoluta contra las indeseadas llamaradas.
- Por lo general, las piezas de carne más grandes requerirán mayor tiempo de cocción por libra (kilo) que las piezas más chicas.
- Algunos alimentos, tales como un guiso o un filete delgado de pescado, requerirán de un recipiente para asarlos. Las bandejas desechables de aluminio son muy convenientes, pero puede usarse cualquier olla de metal con asas resistentes al calor.
- Los alimentos asados dentro de recipientes, tales como judías en salsa de tomate, tomarán más tiempo si se cocinan en una cacerola profunda que en una bandeja de hornear poco profunda.
- Use tenacillas en vez de un tenedor para dar la vuelta y manipular las carnes a fin de evitar perder los jugos naturales. Use dos espátulas para manipular un pescado grande entero.
- Asegúrese siempre de que la caja de cocción y el plato recolector de grasa estén limpios y libres de desechos.
- No forre la caja de cocción con papel de aluminio. Ello pudiera prevenir que la grasa fluya al plato recolector de grasa.
- Si llegase a presentarse una llamarada indeseada, apague el/los quemador(es) y mueva los alimentos a otra zona de la parrilla de cocción. Cualquier llama se apagará rápidamente. Una vez que las llamas se apaguen, vuelva a encender la parrilla. **JAMÁS USE AGUA PARA EXTINGUIR LAS LLAMAS EN UN ASADOR DE GAS.**
- El usar un temporizador le ayudará a alertarle cuando “bien cocido” esté a punto de convertirse en “sobre cocido.”
- Una leve capa de aceite ayudará a dorar la comida de manera pareja y prevendrá que ésta se pegue a la parrilla de cocción. Siempre aplique el aceite con un cepillo o como spray, sobre la comida, no directamente sobre la parrilla de cocción.
- Cuando se use un adobo, salsa, o glaseado con un alto contenido de azúcar u otros ingredientes que se queman con facilidad, aplíquelos a la comida con un cepillo solamente durante los últimos 5 a 10 minutos del asado.

## PRECALENTAMIENTO

Es importante precalentar el asador antes de asar. Para precalentar: Encienda el asador de acuerdo con las instrucciones en esta Guía del Propietario; a continuación, gire el/los quemador(es) a la posición (4) de encendido/fuego alto, cierre la tapa y precaliente el asador. Esto tomará unos 10 a 15 minutos según tales condiciones como la temperatura del aire y el viento. Tras precalentar, puede ajustar el/los quemador(es) según su preferencia.

**⚠ ADVERTENCIA: Si llegasen a apagarse el o los quemadores mientras el asador esté en operación, cierre la perilla/todas las perillas de control del/los quemador(es). Abra la tapa y espere cinco minutos antes de tratar de volver a encender el asador, siguiendo las instrucciones de encendido.**

## COCCIÓN CUBIERTA

Todo asado a la parrilla deberá realizarse con la tapa cerrada para proporcionar un calor uniforme con una circulación pareja. Con la tapa cerrada, el asador de gas cocinará de manera muy parecida a un horno de convección. El termómetro en la tapa, una característica de algunos de nuestros asadores, indica la temperatura de cocción en el interior del asador. Todo el precalentamiento y asado a la parrilla se realiza con la tapa cerrada. Nada de miraditas - se pierde calor cada vez que usted abre la tapa.

## SISTEMA DE CAPTACIÓN DE GRASA

Unas características del exclusivo diseño de la parrilla de cocción son los rieles de hierro fundido instalados a un ángulo que desvían la grasa en dirección contraria al/a los tubo(s) del/de los quemador(es), y de esa manera previenen llamaradas que pueden carbonizar los alimentos. La grasa remanente fluye a una bandeja colectora desmontable que se desliza hacia afuera para facilitar su limpieza.


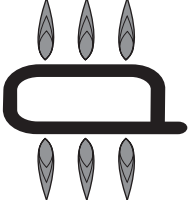



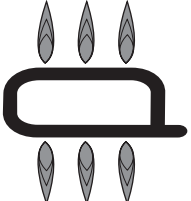




Para más sugerencias y recetas de asados, visite [www.weber.com](http://www.weber.com).

# MÉTODOS DE COCCIÓN

## ¿MÉTODO DIRECTO O MÉTODO INDIRECTO?

La cosa más importante que hay que saber acerca de asar es cual método de cocción usar para un alimento específico, el directo o el indirecto. La diferencia es sencilla. Con el método directo, la comida se cocina directamente sobre el fuego. Con el método indirecto, el fuego se encuentra en cualquiera de los dos lados de la comida. El método indirecto es similar al asado al horno, pero con el beneficio adicional de esa textura, sazón, y apariencia de la comida a la parrilla que no se puede obtener en un horno. El usar el método correcto es la ruta más corta para obtener resultados fabulosos; y la mejor manera de garantizar la seguridad de tener un alimento debidamente cocido.

Con cada método, puede ajustar los quemadores como lo desee. Los ajustes de control - ALTO, MEDIO, BAJO, o APAGADO — se describen en la tabla de la derecha. Por ejemplo, para dorar bistecs, coloque ambos quemadores en "HI" (fuego alto), y luego para completar la cocción, ajuste ambos quemadores a la posición "LOW" (fuego bajo). Para grandes inspiraciones para asar a la parrilla, visite [www.weber.com/recipes](http://www.weber.com/recipes).

MÉTODO DE COCCIÓN Y USOS	AJUSTE DEL CONTROL DEL QUEMADOR INTERNO	AJUSTE DEL CONTROL DEL QUEMADOR EXTERNO
<b>PRECALENTAR</b>	 ALTO	 ALTO
<b>BAJO DIRECTO</b> Piezas de pollo, salchicha	 BAJO	 BAJO
<b>DORADO</b> Bistec y piezas que necesitan dorarse  <i>Comience dorando los bistecs gruesos sobre fuego alto directo...</i>  <i>...termine cocinándolos sobre fuego bajo directo</i>	 ALTO	 ALTO
	 BAJO	 BAJO
<b>INDIRECTO</b> Pollo pequeño entero	 APAGADO	 MEDIO

# RESOLUCIÓN DE PROBLEMAS

## SOLUCIÓN DE PROBLEMAS GENERALES

PROBLEMAS	SOLUCIONES
El quemador no se enciende al pulsar el botón del encendedor.	<p>Asegúrese de que el gas fluye a los quemadores intentando encenderlos con un cerillo. Consulte la sección "ENCENDIDO DEL QUEMADOR - Encendido con un cerillo." Si el encendido con un cerillo es exitoso, el problema está en el sistema de encendido. Consulte la sección "MANTENIMIENTO DEL SISTEMA ELECTRÓNICO DE ENCENDIDO."</p> <p>Asegúrese de que los cables estén debidamente insertados dentro de los terminales en el ensamble del electrodo de encendido. Compruebe que los cables estén conectados a los terminales en el módulo del encendedor electrónico. Consulte la sección "MANTENIMIENTO DEL SISTEMA ELECTRÓNICO DE ENCENDIDO."</p> <p>Si se instala una batería nueva, confirme que se ha retirado la envoltura de plástico de la batería. Verifique que la batería esté en buen estado e instalada correctamente. Consulte "MANTENIMIENTO DEL SISTEMA DE ENCENDIDO ELECTRÓNICO."</p>
El quemador lateral no se enciende, o la llama está baja cuando la perilla de control del quemador está en la posición (4) de fuego alto.	La manguera de combustible puede estar doblada o torcida. Enderece la manguera de combustible.
El quemador produce llamas con un patrón errático. La llama está baja cuando el quemador está en la posición (4) de fuego alto. Las llamas no corren a lo largo de todo el tubo del quemador.	Limpie los orificios de los quemadores que corren a todo lo largo del tubo del quemador. Consulte la sección de "MANTENIMIENTO ANUAL."
Los quemadores queman con una llama amarilla o anaranjada, conjuntamente con un olor a gas.	Revise que no haya obstrucciones en la malla contra arañas e insectos. (Taponamiento de orificios.) Limpie las mallas contra arañas e insectos. Consulte la sección de "MANTENIMIENTO ANUAL."
Se producen llamaradas.	La barbacoa debe precalentarse con todos los quemadores a fuego alto durante 10 a 15 minutos.
<b>⚠ PRECAUCIÓN: No forre la caja de cocción con papel de aluminio.</b>	<p>Limpie las parrillas de cocción a fondo para eliminar la grasa. Consulte la sección de "LIMPIEZA DEL INTERIOR DE LA BARBACOA."</p> <p>La caja de cocción puede estar sucia y no permite que la grasa fluya al plato recolector desmontable. Limpie la caja de cocción. Consulte la sección de "LIMPIEZA DEL INTERIOR DE LA BARBACOA."</p>
La parte interna de la tapa pareciera estar "pelándose." (Se parece al desprendimiento de pintura.)	El interior de la tapa es de aluminio fundido. No está pintada. No puede "pelarse." Lo que está viendo es grasa asada que se ha convertido en carbón y se está descascarando. <b>ESTO NO ES UN DEFECTO.</b> Limpie a fondo. Consulte la sección de "LIMPIEZA DEL INTERIOR DE LA BARBACOA."

Si los problemas no pueden corregirse usando cualquiera de estos métodos, por favor contacte al Representante de Atención al Cliente en su área usando la información de contacto en nuestro sitio web. Conéctese a [www.weber.com](http://www.weber.com).

## CÓMO MANTENER EL ASADOR WEBER EN EXCELENTES CONDICIONES

### ⚠ PELIGRO

El no corregir cualquier problema descrito en esta página podría resultar en un incendio, que podría causar lesiones corporales serias o la muerte y daños materiales.

Para mantener el asador de gas WEBER funcionando de forma segura y eficiente como el primer día, le recomendamos que inspeccione y limpie las mallas contra arañas y demás insectos, los tubos de los quemadores y los orificios de la válvulas al menos una vez al año. A continuación se muestra información importante acerca de estas dos áreas del asador que deben someterse a mantenimiento anual.

Si usted observa un patrón incorrecto de la llama o un orificio de quemador obstruido, proceda a las instrucciones de "LIMPIEZA O REEMPLAZO DE LOS TUBOS DE LOS QUEMADORES" en la página siguiente.

### PATRÓN DE QUEMADO DE LOS QUEMADORES

El o los tubos de los quemadores del asador de gas WEBER fue/fueron ajustados en la fábrica para obtener la mezcla correcta de aire y gas. El patrón correcto de la llama se muestra en la ilustración y se describe a continuación:

- Tubo(s) del o de los quemador(es) (1)
- Las puntas ocasionalmente titilan con un color amarillo (2)
- Azul claro (3)
- Azul oscuro (4)

Revise el patrón de la llama del quemador. Si las llamas no se corresponden con la descripción anterior, ello podría ser una indicación de que la(s) malla(s) contra arañas y demás insectos se ha(n) ensuciado o obstruido.

### MALLA(S) WEBER CONTRA ARAÑAS/ INSECTOS

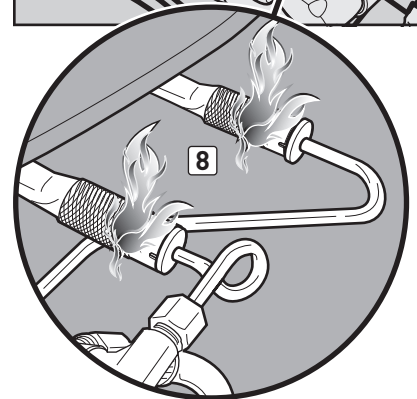
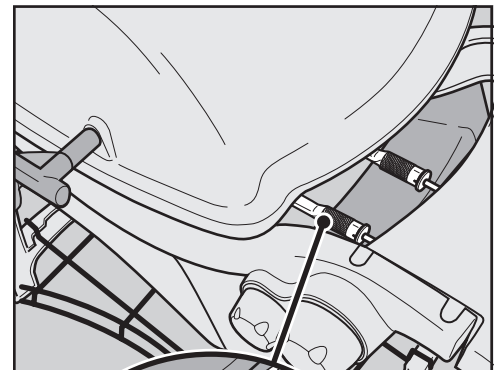
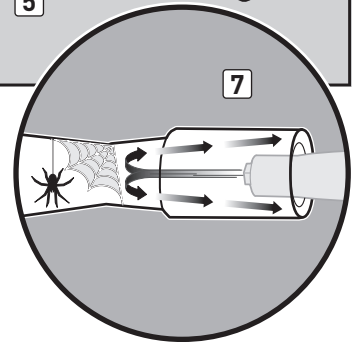
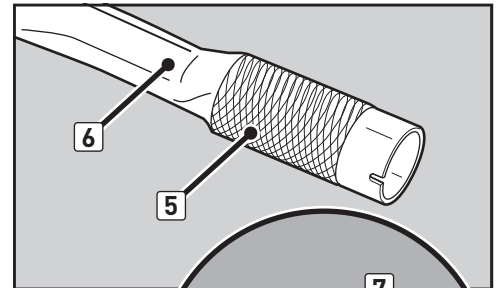
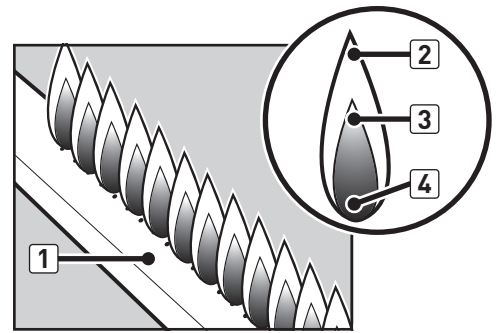
La(s) entrada(s) de aire de combustión del o de los tubo(s) de los quemadores (5) está(n) equipadaa(s) con malla(s) de acero inoxidable para ayudar a evitar que las arañas y otros insectos tejan telarañas y construyan nidos dentro de la sección del venturi (6) del o de los tubo(s) de los quemadores. Estos nidos pueden obstruir el flujo normal de gas, y pueden causar que el gas fluya de vuelta hacia afuera por la(s) abertura(s) del aire de combustión (7). Síntomas de este tipo de obstrucción incluyen el olor a gas en conjunción con llamas del quemador que tienen un semblante perezoso de color amarillo. Esto podría resultar en un incendio (8) en y alrededor de la(s) válvula(s) de gas, causando serios daños a el asador.

*NOTA: Si la malla contra arañas y demás insectos se dañase o no pudiese limpiarse, sírvase ponerse en contacto con el Representante de Servicios al Cliente de su zona, cuya datos de contacto encontrará en nuestro sitio en la Internet. Conéctese a [www.weber.com](http://www.weber.com).*

### ORIFICIOS DE LOS TUBOS QUEMADORES

Con el tiempo, por el uso repetido del asador, los orificios de los tubos de los quemadores se ensucian. Los orificios obstruidos y sucios pueden restringir el flujo pleno del gas. Las siguientes son maneras de determinar si los orificios de los tubos de los quemadores están sucios o bloqueados.

- El asador no alcanza la temperatura deseada
- El asador se calienta de manera irregular
- Uno o más de los quemadores no se encienden



## LIMPIEZA O REEMPLAZO DEL TUBO DEL QUEMADOR

Confirme que la barbacoa esté apagada y fría

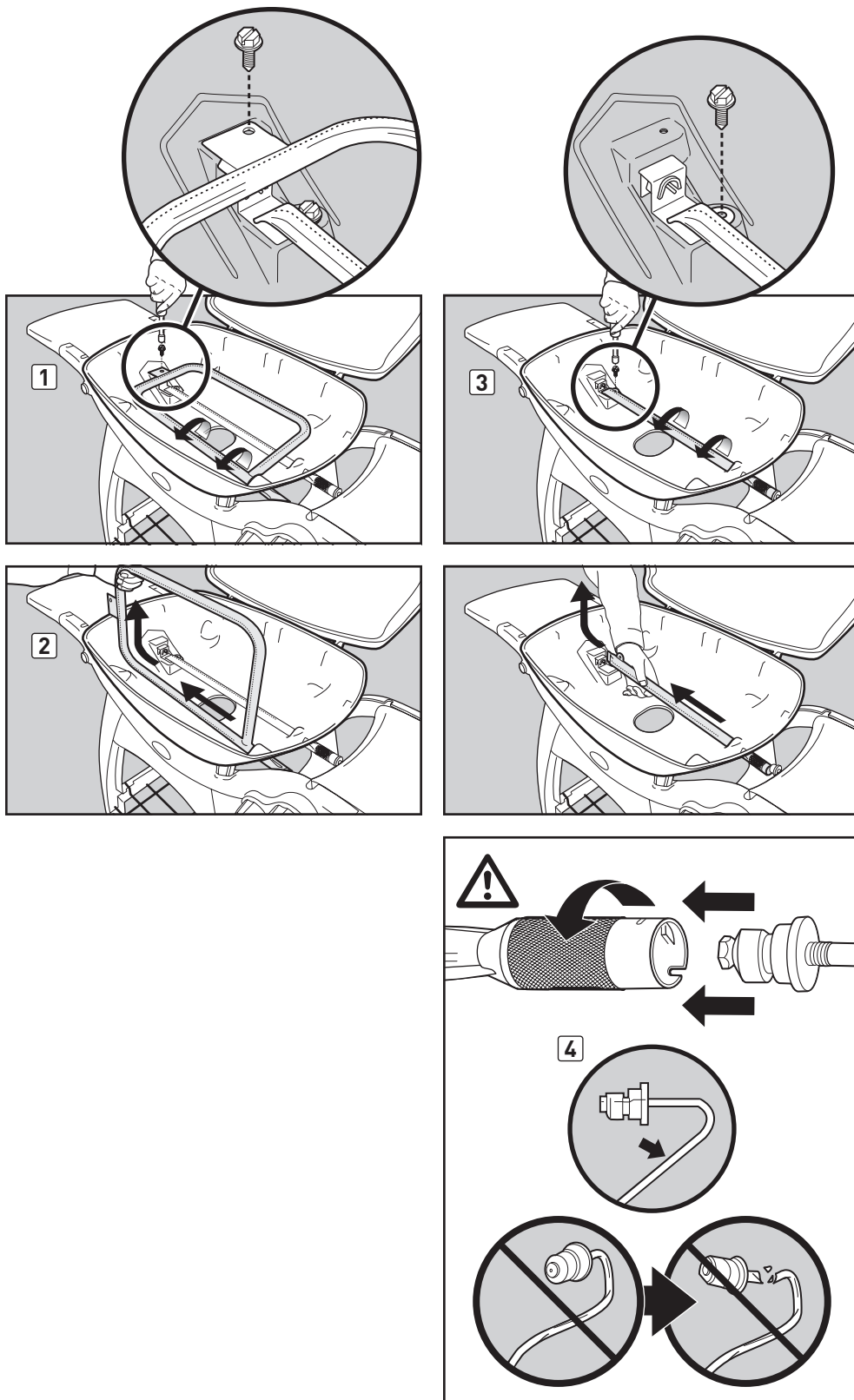
- A) Cierre el suministro de gas en la fuente y desconecte la conexión de gas.
- B) Revise que todas las perillas de control de los quemadores estén en la posición (O) apagada. Verifíquelo presionando las perillas de control y girándolas en sentido de las agujas del reloj hasta el tope. Si no giran, ya están cerradas. Si sí giran, siga girándolas en sentido de las agujas del reloj hasta que se detengan; entonces estarán apagadas.
- C) Abra la tapa y retire las parrillas de cocción.

### Retire los tubos de los quemadores

Usted necesitará: Un destornillador hembra de 3/8 pulg.

- A) Retire el tornillo que sujeta el tubo del quemador externo a la caja de cocción (1).
- B) Gire el tubo del quemador externo 90°. Deslice y levante el tubo del quemador en dirección contraria al orificio de la válvula y retírelo de la caja de cocción (2).
- C) Repita este procedimiento para el tubo del quemador interior (3).

**⚠ PRECAUCIÓN:** El retiro o reinstalación de los tubos de los quemadores debe hacerse con cuidado. No fuerce ni doble las líneas de gas que conectan las válvulas de control a los tubos de los quemadores (4).





# MANTENIMIENTO ANUAL

## Limpie los tubos del quemador

Usted necesitará: Una linterna, un alambre (un gancho de ropa enderezado), un cepillo de cerdas de acero inoxidable adecuado y un cepillo de cerdas suaves (cepillo de dientes).

- A) Revise el interior del tubo del quemador con una linterna (5).
- B) Limpie con el alambre cualquier suciedad o obstrucción en el interior de los tubos de los quemadores (6).
- C) Revise las mallas contra arañas e insectos en los extremos de los tubos de los quemadores y límpielas con el cepillo de cerdas suaves (7).

**⚠ PRECAUCIÓN: No limpie las mallas contra arañas e insectos con herramientas duras o afiladas. No saque las mallas contra arañas e insectos ni agrande los orificios de las mismas.**

- D) Utilice el cepillo de cerdas de acero para limpiar la parte exterior de los tubos de los quemadores. Esto se hace para asegurarse de que todas las aberturas de los quemadores que corren a lo largo de la longitud de los tubos de los quemadores estén completamente abiertas (8).

**⚠ PRECAUCIÓN: Al limpiar, no agrande las aberturas del quemador.**

## Vuelva a instalar los tubos de los quemadores

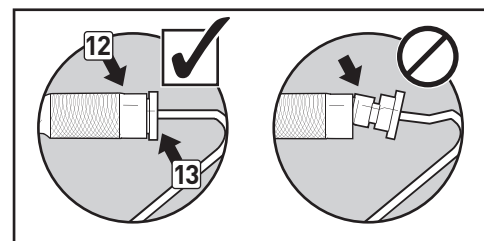
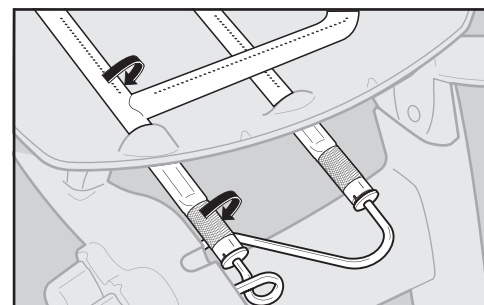
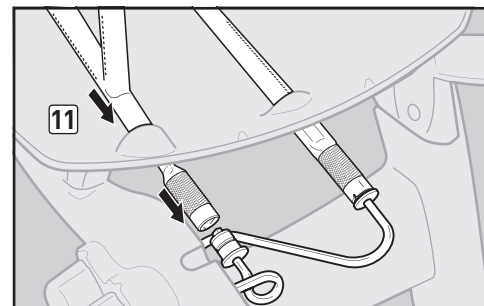
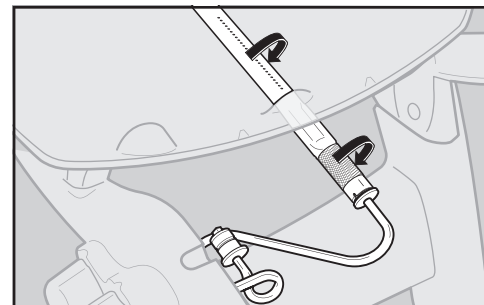
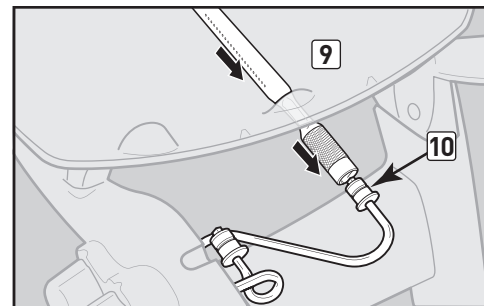
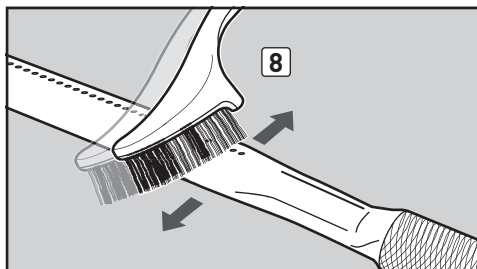
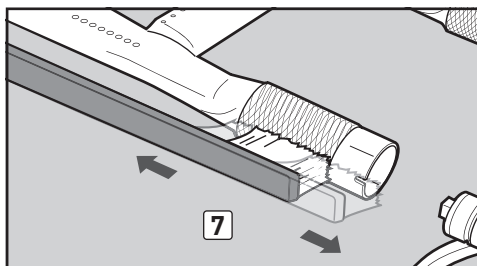
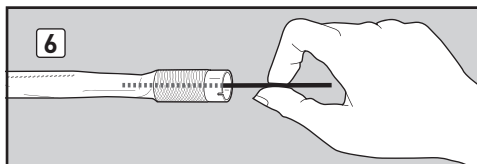
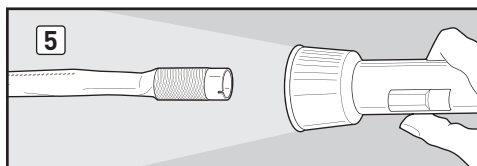
Usted necesitará: Un destornillador hembra de 3/8 pulg.

- A) Deslice con cuidado el tubo del quemador interno de vuelta en el orificio del lado derecho de la caja de cocción (9), de manera que la abertura del tubo del quemador quede alineada con el orificio de la válvula (10).
- B) Vuelva a colocar el tornillo que sujeta el tubo del quemador interno a la caja de cocción.
- C) Repita este procedimiento para el tubo del quemador exterior (11).

**⚠ PRECAUCIÓN: Las aberturas de los tubos de los quemadores (12) deberán posicionarse correctamente sobre los orificios de las válvulas (13).**

**⚠ ADVERTENCIA: Cada vez que conecte o desconecte una conexión de gas, deberá verificar que no haya fugas de gas. Consulte "REVISIONES PARA DETECTAR FUGAS DE GAS."**

- D) Reemplace los componentes de la caja de cocción (no ilustrados).



## HERMOSA—POR DENTRO Y POR FUERA

Los propietarios de los asadores WEBER están muy orgullosos de sus asadores. Haga alarde de su orgullo y alegría. Mantenga su asador limpio y hermoso por dentro y por fuera siguiendo estos pasos de mantenimiento de rutina.

### LIMPIEZA DEL EXTERIOR DE LA BARBACOA

Para mantener el exterior de su barbacoa en el mejor aspecto posible, siga las siguientes pautas para limpiar la misma de manera segura.

**⚠ ADVERTENCIA: Apague la barbacoa de gas WEBER y espere a que se enfríe antes de limpiarla.**

#### Superficies pintadas, esmaltadas y de plástico

Use una solución de agua jabonosa tibia para limpiar las superficies externas; luego enjuague con agua.

**IMPORTANTE:** No utilice limpiadores que contengan ácido, destilado de petróleo o xileno. Sobre la superficie de la barbacoa o del carro, no utilice limpiadores de horno, limpiadores abrasivos (limpiadores de cocinas), limpiadores que contengan productos cítricos, o almohadillas de limpieza abrasivas.

Las mesas plegables no deberán usarse como planchas de corte.

### LIMPIEZA DEL INTERIOR DE LA BARBACOA

Para mantener la barbacoa funcionando de forma segura y eficiente, es importante eliminar la suciedad y el exceso de grasa que pueda haberse acumulado en el interior de la misma. Siga las siguientes pautas para la limpieza segura.

#### Dentro de la tapa

La grasa acumulada escamada se asemeja a las escamas de pintura. Limpie el interior de la tapa con una toalla de papel para evitar la acumulación de grasa. Lave el interior de la tapa con agua tibia y jabón; luego enjuague con agua.

#### Componentes de la caja de cocción y del tubo del quemador

Usted necesitará: Un cepillo de cerdas de acero inoxidable, y una espátula de plástico rígido.

A) Raspe y cepille las parrillas de cocción con la espátula y el cepillo. Retire las parrillas de cocción y colóquelas al lado.

**⚠ PRECAUCIÓN:** Los cepillos de parrilla deben revisarse con regularidad para comprobar que no tengan cerdas sueltas o un excesivo desgaste. Reemplace el cepillo en caso de encontrar cerdas sueltas en las parrillas de cocción o en el cepillo. WEBER sugiere comprar un cepillo de parrilla de acero inoxidable nuevo al principio de cada primavera.

**⚠ PRECAUCIÓN:** No limpie las parrillas de cocción en un horno autolimpiante.

- B) Quite cualquier resto sobre los tubos del quemador. No agrande los orificios del quemador (aberturas) que corren a lo largo de la longitud del tubo del quemador (1).
- C) Cuando termine la limpieza, vuelva a colocar en su lugar las parrillas de cocción.

#### Caja de cocción

Lave el interior de la caja de cocción con agua tibia y jabón; luego enjuague con agua.

#### Plato recolector desmontable y bandeja de goteo desechable

La barbacoa fue construida con un sistema de captación de grasa, que conduce la grasa en dirección contraria a los alimentos y hacia un plato recolector desmontable. Para su comodidad, también puede forrar el plato recolector desmontable con una bandeja de goteo desechable WEBER, que le ayudará a mantener el plato recolector desmontable limpio durante más tiempo.

El limpiar el plato recolector desmontable es tan importante como la limpieza de la caja de cocción. Cada vez que vaya a usar la barbacoa, compruebe que no se haya acumulado grasa en el plato recolector desmontable. Elimine el exceso de grasa con una espátula de plástico (2). Lave el plato recolector desmontable con agua jabonosa y enjuáguelo con agua limpia.

**⚠ ADVERTENCIA:** Ponga atención al extraer el colector y desechar la grasa si está caliente.

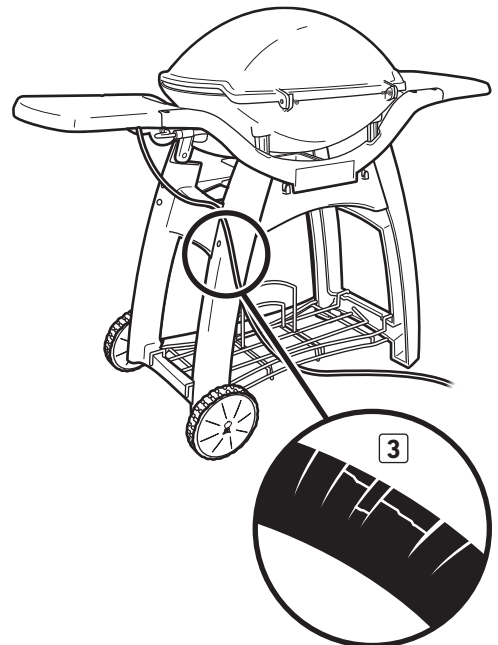
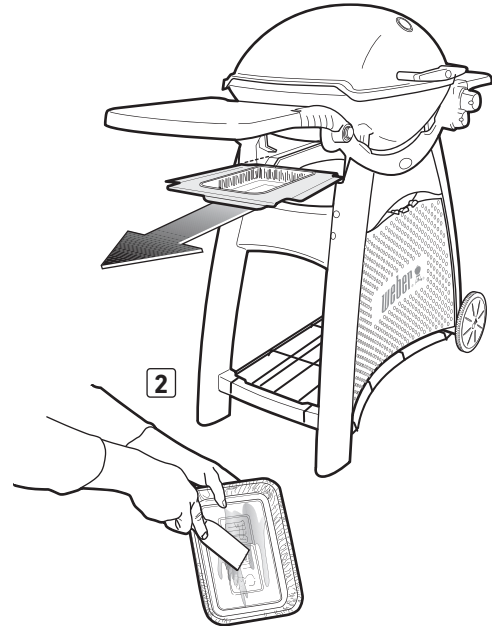
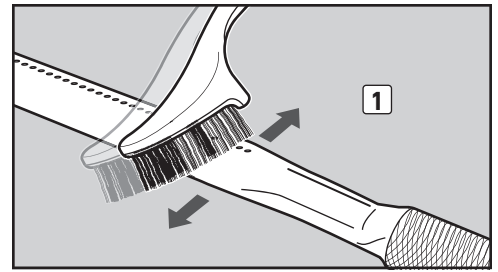
**⚠ ADVERTENCIA:** Previo a cada uso, revise si hay acumulación de grasa en el plato recolector desmontable o en la bandeja de goteo desechable. Elimine cualquier exceso de grasa para evitar un incendio. Un incendio de grasa puede causar lesiones corporales graves o daños materiales.

**⚠ PRECAUCIÓN:** No forre la caja de cocción, el plato recolector desmontable o la bandeja de goteo desechable con papel de aluminio.

#### INSPECCIÓN DE LA MANGUERA

Se debe inspeccionar la manguera para detectar cualquier señal de agrietamiento (3).

**⚠ ADVERTENCIA:** Cada vez que vaya a usar la barbacoa, inspeccione la manguera y asegúrese de que no tenga muescas, grietas, abrasiones o cortes. Si se encontrase que la manguera estuviese dañada de cualquier manera, no utilice la barbacoa. Reemplácela utilizando solamente una manguera de repuesto autorizada por WEBER. Contacte al Representante de Servicios al Cliente en su área utilizando la información de contacto en nuestro sitio web. Conéctese a [www.weber.com](http://www.weber.com).



Para obtener las bandejas de goteo desechables y las parrillas de cocción de reemplazo, póngase en contacto con el distribuidor local en su zona o visite [www.weber.com](http://www.weber.com). Si necesita más ayuda, póngase en contacto con su Representante de Servicio al Cliente.

## OPERACIONES DEL SISTEMA DE ENCENDIDO

El encendedor suministra una chispa para el conjunto del electrodo de encendido. Ya sea que usted está realizando un mantenimiento de rutina o llevando a cabo un chequeo para la resolución de un problema en el sistema de encendido, lea lo siguiente para mantener el sistema de encendido funcionando correctamente.

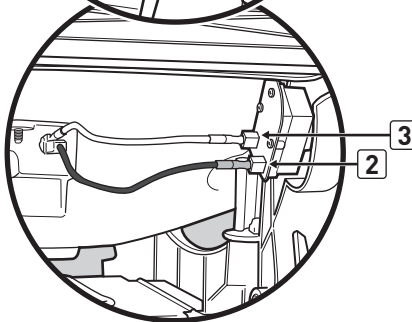
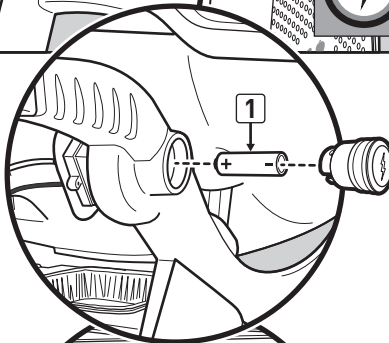
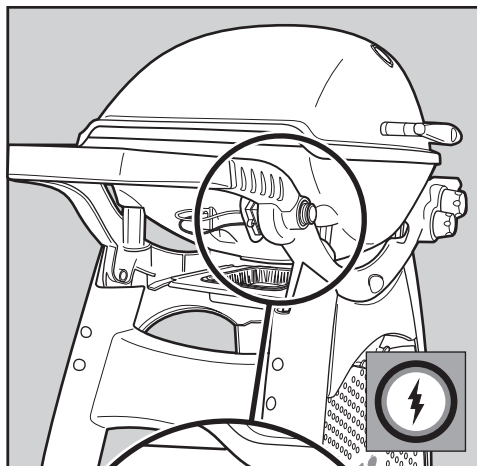
**⚠ ADVERTENCIA: Todos los controles de gas y válvulas de suministro deberán estar cerrados en la posición apagada (OFF).**

Si el encendedor de la barbacoa Q no llegase a encenderse, tendrá que determinar dónde se origina el problema: con el flujo de gas o con el sistema de encendido. Comience tratando de encender el quemador con un cerillo. Consulte la sección "ENCENDIDO DEL QUEMADOR - Encendido con un cerillo." Si el encendido con un cerillo es exitoso, el problema está en el sistema de encendido.

## MANTENIMIENTO DEL SISTEMA DE ENCENDIDO ELECTRÓNICO

- Verifique que la batería AAA (sólo alcalinas) esté en buen estado e instalada correctamente (1). Algunas baterías cuentan con un envoltorio protector de plástico alrededor de ellas. Este plástico debe ser quitado antes de instalar la batería. No confunda este plástico con la etiqueta de la batería.
- Asegúrese de que ambos cables del encendedor estén correctamente conectados al módulo de encendido. El cable negro al terminal negro (2), el cable blanco al terminal blanco (3).
- Asegúrese de que el botón del encendedor electrónico esté funcionando prestando atención de si hace "clic" y viendo si se están produciendo chispas en el quemador.

**Si el sistema de encendido electrónico todavía no logra encender el quemador, contacte al Representante de Servicio a los Clientes en su región usando la información de contacto en nuestro sitio web. Conéctese a [www.weber.com](http://www.weber.com).**



## APÉNDICE A LA GUÍA DEL PROPIETARIO DEL ASADOR A GAS

El apéndice se aplica solo a los clientes en México. Para efectos de esta guía de propietario, el término “Barbacoa,” se refiere a un asador de gas.

Debe leer esta guía del propietario antes de poner a funcionar el asador de gas.

### **⚠ PELIGRO:**

Si huele a gas:

- 1) Cierre el suministro de gas al artefacto.
- 2) Apague todas las flamas cerrando la válvula general de paso.
- 3) Abra la tapa.
- 4) No accione interruptores eléctricos.
- 5) Llame inmediatamente a la central de fugas o a su proveedor de gas.
- 6) Una fuga de gas puede provocar un incendio o explosión que puede resultar en lesiones corporales serias o la muerte, o daños a la propiedad.

### **⚠ ADVERTENCIA:**

- No almacene gasolina u otros fluidos flamables en la cercanía de su aparato.
- Ningún cilindro de gas que no esté conectado para su uso deberá almacenarse cerca de éste o cualquier otro artefacto doméstico.
- No obstruir la salida de los gases de combustión del asador.
- No debe utilizarse como calefactor de ambiente.
- Mantener los alrededores del aparato libres de materiales combustibles, gasolina y otros vapores o líquidos flamables.

### **⚠ ADVERTENCIA:**

Este aparato no debe ser utilizado como calentador de ambiente, sólo se debe utilizar para cocinar alimentos.

### **⚠ ADVERTENCIA:**

Estos productos trabajan a una presión de 2,75 kPa.

Q 1000; Q 1200	Q 2000; Q 2200
1 Quemador Principal de: 8 968 kJ/h	1 Quemador Principal de: 12 661 kJ/h
Q 3200	
1 Quemador Principal de: 8 000 kJ/h	
1 Quemador Principal de: 15 000 kJ/h	



# 3200

## GUIDE DU PROPRIÉTAIRE DU BARBECUE

### ENREGISTRER VOTRE BARBECUE

Merci d'avoir acheté un barbecue WEBER. Prenez quelques minutes pour protéger votre investissement en enregistrant votre barbecue en ligne sur [www.weber.com](http://www.weber.com). Utilisez le numéro de série présent sur la page de couverture de ce guide du propriétaire.

### VOUS DEVEZ LIRE CE MODE D'EMPLOI AVANT D'UTILISER VOTRE GRILL A GAZ.

#### ⚠ DANGER

S'il y a une odeur de gaz :

- 1) Coupez l'admission de gaz de l'appareil.
- 2) Éteindre toute flamme nue.
- 3) Ouvrir le couvercle.
- 4) Si l'odeur persiste, éloignez-vous de l'appareil et appelez immédiatement le fournisseur de gaz ou le service d'incendie.

Une fuite de gaz risque de provoquer un incendie ou une explosion susceptible d'occasionner des blessures graves, voire mortelles, ou des dégâts matériels.

Suivez toutes les procédures de détection des fuites de ce manuel avec soin avant d'utiliser le barbecue. Faites-le même si le barbecue a été assemblé par le revendeur.

#### ⚠ AVERTISSEMENT

- 1) Ne pas entreposer ni utiliser de l'essence ni d'autres vapeurs ou liquides inflammables dans le voisinage de l'appareil, ni de tout autre appareil.
- 2) Une bouteille de propane qui n'est pas raccordée en vue de son utilisation, ne doit pas être entreposée dans le voisinage de cet appareil ou de tout autre appareil.

N'allumez pas cet appareil sans lire d'abord les sections traitant de L'ALLUMAGE DU BRULEUR de ce manuel.

**CET APPAREIL A GAZ EST CONÇU POUR UNE UTILISATION À L'EXTERIEUR UNIQUEMENT.**

**NOTE A L'INTENTION DE L'INSTALLATEUR :** les présentes instructions doivent être remises au propriétaire et le propriétaire devrait les conserver pour les utiliser plus tard.

Before you begin



Enhance your assembly experience.

Download the free BILT™ app for 3D step-by-step instructions.



Assemblage 

FC - FRENCH CANADIAN

Descarga gratis la app BILT™ y sigue las instrucciones 3D paso a paso.

Téléchargez gratuitement l'application BILT™ pour obtenir les instructions étape par étape en 3D.

## ⚠ DANGER

Le non respect des consignes intitulées **DANGER, MISES EN GARDE** et **ATTENTION** contenues dans ce Mode d'emploi risque de provoquer des blessures graves voire un décès, ou risque d'entraîner un incendie ou une explosion à l'origine de dégâts matériels.

### MISES EN GARDE :

- ⚠ Un assemblage incorrect du grill peut s'avérer dangereux. Veuillez suivre attentivement les instructions pour l'assemblage.
- ⚠ N'utilisez ce grill que si toutes les pièces sont en place. Le grill doit être assemblé correctement conformément aux instructions d'assemblage.
- ⚠ Votre grill à gaz WEBER ne devrait jamais être utilisé par des enfants. Les pièces accessibles du grill peuvent atteindre une température très élevée. Maintenez les jeunes enfants à l'écart lors de l'utilisation du grill.
- ⚠ Faites preuve de prudence lorsque vous utilisez votre grill à gaz WEBER. Il sera chaud pendant la cuisson ou le nettoyage, et il ne devrait jamais être laissé sans surveillance, ou déplacé pendant qu'il est en fonctionnement.
- ⚠ N'utilisez pas de charbon de bois ou de pierre de lave dans votre grill à gaz WEBER.
- ⚠ Lorsque vous allumez le grill ou que vous faites une cuisson, ne vous penchez jamais au-dessus du grill ouvert.
- ⚠ Ne placez jamais les mains ou les doigts sur l'extrémité avant du boîtier de cuisson lorsque le grill est chaud ou lorsque le couvercle est ouvert.
- ⚠ Ne tentez pas de débrancher un raccord de gaz pendant que votre grill est en fonctionnement.
- ⚠ Utilisez des maniques ou des gants pour barbecue lorsque vous utilisez le grill.
- ⚠ Maintenez la zone de cuisson dégagée de toutes vapeurs et de tous liquides inflammables comme de l'essence, de l'alcool, etc., et des matériaux inflammables.
- ⚠ Si les brûleurs s'éteignent pendant que le grill est en fonctionnement, fermez toutes les valves de gaz. Ouvrez le couvercle puis patientez cinq minutes avant de tenter de rallumer le grill, en utilisant les instructions pour l'allumage.
- ⚠ N'utilisez pas le grill dans un rayon de 24 pouces de tous matériaux inflammables. Ceci inclut le haut, le bas, l'arrière ou les côtés du grill.

- ⚠ N'encastrez pas ce modèle de grill dans une structure avec encastrement ou glissement. Le fait d'ignorer cette MISE EN GARDE risquerait de provoquer un incendie ou une explosion susceptible d'entraîner des dégâts matériels et d'être à l'origine de blessures graves voire d'un décès.
- ⚠ Utilisez ce grill uniquement en extérieur dans une zone bien ventilée. Ne l'utilisez pas dans un garage, dans un bâtiment, un passage couvert ou dans toute autre zone confinée.
- ⚠ Votre grill à gaz WEBER ne doit pas être utilisé sous une structure suspendue inflammable.
- ⚠ Votre grill à gaz WEBER n'est pas conçu pour être installé dans ou sur des véhicules de loisirs et/ou des bateaux.
- ⚠ Ne conservez pas un réservoir de propane liquide (de rechange) ou débranché sous ou à proximité de ce grill.
- ⚠ Après une période de stockage et/ou d'inutilisation, le grill à gaz WEBER devrait faire l'objet d'un contrôle de détection des fuites et des obstructions des brûleurs avant utilisation. Voir les instructions du présent Mode d'emploi pour les procédures correctes.
- ⚠ N'utilisez pas le grill à gaz WEBER en cas de fuite de gaz.
- ⚠ N'utilisez pas de flamme pour détecter les fuites de gaz.
- ⚠ Ne placez pas une bâche sur le grill ni aucun objet inflammable dessus, ni dans la zone de stockage sous le grill, lorsque le grill est en fonctionnement ou à haute température.
- ⚠ Le gaz naturel n'est pas du gaz propane liquide. La conversion ou la tentative d'utilisation de gaz propane liquide dans un appareil à gaz naturel est dangereuse et elle annulera votre garantie.
- ⚠ Maintenez tout cordon d'alimentation électrique ainsi que le tuyau d'alimentation en combustible à l'écart de toutes surfaces chauffées.
- ⚠ N'élargissez pas les orifices des valves ou les ports des brûleurs lorsque vous nettoyez les valves ou les brûleurs.
- ⚠ Le grill à gaz WEBER devrait être régulièrement nettoyé de manière approfondie.
- ⚠ En cas de feu de graisse, fermez tous les brûleurs puis maintenez le couvercle fermé jusqu'à ce que le feu s'éteigne.

### PROPOSITION 65 - CALIFORNIE :

- ⚠ **AVERTISSEMENT** : les produits dérivés de la combustion formés lors de l'utilisation de ce produit contiennent des produits chimiques connus dans l'État de la Californie pour causer un cancer, des malformations congénitales ou d'autres troubles de la reproduction.
- ⚠ **PROPOSITION 65 AVERTISSEMENT** : la manipulation du laiton entrant dans la composition de ce produit vous expose au plomb, un produit chimique connu dans l'État de la Californie pour causer un cancer, des malformations congénitales ou d'autres troubles de la reproduction. *Se laver les mains après la manipulation de ce produit.*



## Garantie limitée

Merci d'avoir acheté un produit WEBER. Weber-Stephen Products LLC, 1415 S. Roselle Road, Palatine, Illinois 60067 (ci-après « WEBER ») est fier d'offrir un produit sécuritaire, durable et fiable. Cette garantie limitée (ci-après « garantie ») de WEBER vous est offerte sans frais supplémentaires. Elle comprend des renseignements dont vous aurez besoin pour faire réparer votre produit WEBER dans le cas improbable d'une défaillance ou d'un défaut. **Conformément aux lois applicables, le client dispose de plusieurs droits si le produit est défectueux. Ces droits comprennent la réparation des défauts ou le remplacement, la réduction du prix d'achat et une indemnisation. Ces droits et les autres droits légaux ne sont pas touchés par cette disposition de la garantie. De fait, cette garantie confère des droits supplémentaires au propriétaire, indépendamment des dispositions de garantie légale.**

### GARANTIE LIMITÉE DE WEBER

WEBER garantit à l'acheteur du produit WEBER (ou, dans le cas d'un cadeau ou d'une situation promotionnelle, à la personne pour laquelle il a été acheté comme cadeau ou article promotionnel) (ci-après « propriétaire ») que le produit WEBER ne comporte pas de défauts de matériaux ou de fabrication pour la ou les périodes spécifiées ci-après s'il est assemblé et utilisé conformément au Guide d'utilisation ci-joint. (Remarque : Si vous perdez votre Guide d'utilisation WEBER, vous pouvez vous en procurer une copie en ligne sur [www.weber.com](http://www.weber.com).) En vertu de cette garantie, WEBER accepte de réparer ou remplacer la pièce défectueuse en raison d'un vice de matériaux ou de fabrication, soumis aux restrictions et exclusions applicables énumérées ci-dessous. **DANS LES LIMITES PRÉVUES PAR LA LOI APPLICABLE, LA PRÉSENTE GARANTIE N'EST OFFERTE QU'AU PREMIER ACHETEUR ET ELLE N'EST PAS TRANSFÉRABLE AUX PROPRIÉTAIRES SUBSÉQUENTS, SAUF EN CAS DE CADEAUX ET D'ARTICLES PROMOTIONNELS COMME IL A ÉTÉ MENTIONNÉ CI-DESSUS.**

Webster est fier de ses produits et vous offre la garantie décrite pour les vices de matériaux sur la grille ou toutes ses composantes, à l'exception de l'usure normale. • « L'usure normale » inclut la détérioration cosmétique ou toute autre détérioration découlant de l'utilisation de votre barbecue, tels que la rouille, les entailles et rayures, etc.

Cependant, WEBER honorera cette garantie pour le barbecue ou ses pièces lorsque le dommage ou le dysfonctionnement résulte d'un défaut matériel.

• Les « vices de matériaux » incluent la rouille ou la brûlure de certaines pièces, ou encore tout autre dommage ou toute autre défaillance pouvant affecter votre capacité à utiliser votre barbecue correctement ou en toute sécurité.

### RESPONSABILITÉS DU PROPRIÉTAIRE EN VERTU DE LA PRÉSENTE GARANTIE

Pour éviter tout problème lié à la garantie, il est important (mais non obligatoire) d'enregistrer votre produit WEBER en ligne sur [www.weber.com](http://www.weber.com). Veuillez également conserver votre facture d'achat. L'enregistrement de votre produit WEBER confirme votre couverture de garantie et instaure un lien direct entre vous et WEBER au cas où nous devrions communiquer avec vous. Si vous n'avez pas eu le temps d'enregistrer votre barbecue avant de communiquer avec le service de garantie, veuillez avoir sous la main les informations suivantes pendant votre appel :

Nom – Adresse – Numéro de téléphone – Courriel – Numéro de série – Date d'achat – Détaillant – Modèle – Couleur – Principal problème La garantie ci-dessus s'applique uniquement si le propriétaire prend raisonnablement soin du produit WEBER en suivant les consignes d'assemblage, d'utilisation et d'entretien préventif décrites dans le Guide d'utilisation, sauf si le propriétaire peut prouver que la défaillance ou le défaut est survenu indépendamment du non-respect des obligations mentionnées ci-dessus. Si vous habitez une région côtière ou que votre produit est placé près d'une piscine, un nettoyage et un rinçage réguliers des surfaces extérieures font également partie de l'entretien normal, comme expliqué dans le Guide d'utilisation inclus.

### GESTION DE LA GARANTIE / EXCLUSION DE LA GARANTIE

Si vous croyez qu'une pièce est couverte par cette garantie, veuillez communiquer avec le service clients WEBER aux coordonnées indiquées sur notre site Web ([www.weber.com](http://www.weber.com)) ou sur le site Web d'un pays vers lequel le propriétaire peut être redirigé. Après enquête, Weber réparera ou remplacera (à sa discrétion) toute pièce défectueuse couverte par cette garantie. Si la réparation ou le remplacement est impossible, Weber peut choisir (à sa discrétion) de remplacer le barbecue en question par un nouveau, de valeur égale ou supérieure. WEBER peut vous demander de retourner les pièces pour inspection. Les frais d'expédition doivent être prépayés par le propriétaire. Veuillez avoir à portée de main les renseignements suivants lorsque vous communiquez avec le service à la clientèle :

Nom – Adresse – Numéro de téléphone – Courriel – Numéro de série – Date d'achat – Détaillant – Modèle – Couleur – Principal problème

Cette GARANTIE est annulée en cas de dommage, de détérioration, de décoloration ou de rouille, hors de la responsabilité de WEBER, causés par :

Les grills illustrés dans ce Mode d'emploi peuvent varier légèrement par rapport au modèle acheté.

- l'utilisation abusive, la modification, le mauvais usage, le vandalisme, la négligence, un assemblage ou une installation inadéquats ou toute négligence concernant l'entretien régulier;
- des insectes (comme des araignées) et des rongeurs (comme des écureuils), comprenant, sans s'y limiter, tout dommage aux tuyaux du brûleur ou flexibles de gaz;
- l'exposition à l'air salin ou à des sources de chlore comme des piscines, jacuzzis et spas;
- des conditions météorologiques extrêmes comme la grêle, un ouragan, un séisme, un tsunami, un raz-de-marée, une tornade ou un orage violent.
- Les pluies acides et d'autres facteurs environnementaux.

L'utilisation de pièces tierces n'annule pas cette garantie. Toutefois, toute pièce utilisée ou installée sur votre produit WEBER qui n'est pas une pièce d'origine WEBER n'est pas couverte par cette garantie. En outre, tout dommage résultant de l'utilisation ou de l'installation de pièces sur votre produit WEBER qui ne sont pas des pièces d'origine WEBER n'est pas couvert par cette garantie. Toute conversion d'un barbecue au gaz non autorisée par WEBER et non effectuée par un technicien autorisé par WEBER annulera cette garantie.

### PÉRIODES DE GARANTIE DU PRODUIT

Cuve de cuisson :  
5 ans, pas de perçage par la rouille ou par brûlage  
(2 ans pour la peinture sauf dégradation ou décoloration)

Assemblage du couvercle :  
5 ans, pas de perçage par la rouille ou par brûlage  
(2 ans pour la peinture sauf dégradation ou décoloration)

Tubes de brûleur en acier inox :  
5 ans contre la perforation par rouille/brûlage

Grilles de cuisson en fonte émaillée :  
5 ans contre la perforation par rouille/brûlage

Composants en plastique :  
5 ans, excluant la dégradation ou la décoloration

Toutes les autres pièces :  
2 ans

### AVIS DE NON-RESPONSABILITÉ

À L'EXCEPTION DE LA GARANTIE ET DES AVIS DE NON-RESPONSABILITÉ DÉCRITS DANS LA PRÉSENTE DÉCLARATION DE GARANTIE, IL N'Y A EXPRESSÉMENT AUCUNE AUTRE GARANTIE NI DÉCLARATION VOLONTAIRE DE RESPONSABILITÉ ALLANT AU-DELÀ DES OBLIGATIONS LÉGALES S'APPLIQUANT À WEBER. LA PRÉSENTE DÉCLARATION DE GARANTIE NE LIMITE PAS ET N'EXCLUT PAS LES SITUATIONS OU RÉCLAMATIONS POUR LESQUELLES WEBER A UNE RESPONSABILITÉ OBLIGATOIRE EN VERTU DE LA LÉGISLATION.

AUCUNE GARANTIE NE S'APPLIQUERA APRÈS LA DURÉE D'APPLICATION DE CETTE GARANTIE. WEBER N'EST ENGAGÉE PAR AUCUNE AUTRE GARANTIE FOURNIE PAR UN TIERS, Y COMPRIS UN CONCESSIONNAIRE OU REVENDEUR, EN LIEN AVEC TOUT PRODUIT (COMME UNE « GARANTIE PROLONGÉE »). LA RÉPARATION OU LE REMPLACEMENT D'UNE PIÈCE OU DU PRODUIT CONSTITUE LE RECOURS EXCLUSIF PERMIS DANS LE CADRE DE LA PRÉSENTE GARANTIE.

LA VALEUR DE TOUT REMPLACEMENT OU DE TOUTE RÉPARATION AU TITRE DE CETTE GARANTIE NE SERA EN AUCUN CAS SUPÉRIEURE AU PRIX D'ACHAT DU PRODUIT WEBER VENDU.

VOUS ASSUMEZ LES RISQUES ET LA RESPONSABILITÉ EN CAS DE PERTE, DE DOMMAGE OU DE BLESSURE VOUS TOUCHANT VOUS OU VOS BIENS OU LES AUTRES ET LEURS BIENS CAUSÉ PAR UNE MAUVAISE UTILISATION OU UNE UTILISATION ABUSIVE DU PRODUIT OU LE NON-RESPECT DES INSTRUCTIONS FOURNIES PAR WEBER DANS LE GUIDE D'UTILISATION FOURNI.

LES PIÈCES ET LES ACCESSOIRES REMPLACÉS DANS LE CADRE DE LA PRÉSENTE GARANTIE SONT GARANTIS UNIQUEMENT POUR LA OU LES PÉRIODES RESTANTES DE GARANTIE D'ORIGINE MENTIONNÉES CI-DESSUS.

LA PRÉSENTE GARANTIE S'APPLIQUE UNIQUEMENT AUX PRODUITS UTILISÉS PAR UNE SEULE FAMILLE EN MAISON OU EN APPARTEMENT. ELLE NE S'APPLIQUE PAS AUX BARBECUES WEBER UTILISÉS PAR PLUSIEURS FAMILLES NI À CEUX UTILISÉS DANS UN CONTEXTE COMMERCIAL OU COMMUNAUTAIRE, COMME DANS DES RESTAURANTS, DES HÔTELS, DES CENTRES DE VILLÉGIATURE OU DES PROPRIÉTÉS EN LOCATION.

WEBER PEUT PARFOIS MODIFIER LA CONCEPTION DE SES PRODUITS. AUCUN RENSEIGNEMENT COMPRIS DANS LA PRÉSENTE GARANTIE NE DOIT ÊTRE PERÇU COMME OBLIGEANT WEBER À INTÉGRER CES CHANGEMENTS DE CONCEPTION AUX PRODUITS FABRIQUÉS PRÉCÉDEMMENT. EN OUTRE, AUCUN CHANGEMENT NE DOIT ÊTRE PERÇU COMME UN AVEU DE DÉFECTUOSITÉ DANS LES CONCEPTIONS PRÉCÉDENTES.

Webster-Stephen Products LLC  
Centre de service clients  
1415 S. Roselle Road  
Palatine, IL 60067  
États-Unis

Pour obtenir des pièces de rechange, composez le :  
1 800 446-1071

WEBER Q 3200 VUE ECLATEE .....	4
LISTE DES PIÈCES .....	6
ASSEMBLAGE .....	7
FONCTIONS DE STOCKAGE .....	20
MISES EN GARDE .....	54
GARANTIE .....	55
TABLE DES MATIERES .....	55
INFORMATIONS IMPORTANTES	
SUR LE GAZ NATUREL .....	56
QU'EST-CE QUE LE GAZ NATUREL ? .....	56
GAZ NATUREL — LES BASES .....	56
SPÉCIFICATIONS POUR LES CANALISATIONS .....	56
STOCKAGE ET/OU UTILISATION .....	56
TEST SOUS PRESSON DE L'ARRIVÉE DE GAZ .....	56
TEST DES RACCORDS .....	56
CODES POUR L'INSTALLATION AUX USA .....	56
INSTALLATION AU CANADA .....	56
CONNEXION A L'ARRIVEE DE GAZ .....	57
PRESQUE PRÊT POUR LA GRILLADE .....	57
CONNEXION DU TUYAU SOUPLE A L'ARRIVEE DE GAZ .....	57
PREPARATION AVANT	
L'UTILISATION DE VOTRE GRILL .....	58
QU'EST-CE QU'UNE DÉTECTION DES FUITES ? .....	58
DÉTECTION DES FUITES DE GAZ .....	58
CONTROLES DE SECURITE AVANT L'UTILISATION	
DE VOTRE GRILL .....	59
LA SECURITE AVANT TOUT .....	59
BAC DE RECUPERATION DES GRAISSES	
AMOVIBLE ET EGOUTTOIR JETABLE .....	59
INSPECTION DU TUYAU .....	59
ALLUMAGE DU BRULEUR & UTILISATION .....	60
METHODS POUR L'ALLUMAGE DU BRULEUR .....	60
ALLUMAGE DU BRULEUR — Dispositif d'allumage électronique .....	60
POUR ETEINDRE LE BRULEUR .....	60
ALLUMAGE DU BRULEUR — Allumage à l'aide d'une allumette .....	61
POUR ETEINDRE LE BRULEUR .....	61
CONSEILS & ASTUCES	
POUR LES GRILLADES .....	62
CONSEILS & ASTUCES .....	62
PRECHAUFFAGE .....	62
CUISSON COUVERTE .....	62
DISPOSITIF DE RECUPERATION DES GRAISSES .....	62
METHODE DE CUISSON .....	63
METHODE DIRECTE OU METHODE INDIRECTE ? .....	63
DEPANNAGE .....	64
DEPANNAGE GENERAL .....	64
MAINTENANCE ANNUELLE .....	65
CONSERVER VOTRE GRILL WEBER EN PARFAIT ÉTAT .....	65
FORME DE LA FLAMME DU BRÛLEUR .....	65
GRILLE(S) ANTI-ARAIGNÉES/INSECTES WEBER .....	65
PORTS DU TUBE DU BRÛLEUR .....	65
NETTOYAGE DU TUBE DU BRÛLEUR OU REMPLACEMENT .....	66
MAINTENANCE DE ROUTINE .....	68
MAGNIFIQUE—DEDANS COMME DEHORS .....	68
NETTOYAGE DE L'EXTERIEUR DU GRILL .....	68
NETTOYAGE DE L'INTERIEUR DU GRILL .....	68
INSPECTION DU TUYAU .....	68
UTILISATION DU DISPOSITIF D'ALLUMAGE .....	69
MAINTENANCE DU DISPOSITIF D'ALLUMAGE ELECTRONIQUE .....	69

## QU'EST-CE QUE LE GAZ NATUREL ?

Le Gaz naturel (GN) est souvent appelé méthane. Le gaz naturel est fourni par votre fournisseur de gaz local et il devrait être accessible facilement si votre maison est déjà chauffée au gaz.

### GAZ NATUREL — LES BASES

Il existe diverses consignes et facteurs de sécurité que vous devez garder à l'esprit lorsque vous utilisez du gaz naturel (GN). Suivez attentivement ces consignes avant d'utiliser votre grill à gaz WEBER.

- Votre grill à gaz naturel est fabriqué en usine pour fonctionner avec du gaz naturel uniquement. Ne tentez jamais d'utiliser votre grill avec des gaz autres que le type spécifié sur les plaques nominales du grill.
- Ce grill à gaz WEBER est conçu pour du gaz naturel uniquement. N'utilisez pas de gaz propane liquide (PL) en bouteille. Les valves, les orifices et le tuyau sont destinés à du gaz naturel uniquement.
- Avant d'utiliser un grill GN, vous devez vous assurer que la conduite d'alimentation de branche entre votre maison et votre grill est correctement installée.
- Ne convient pas pour une utilisation par des enfants.

### SPÉCIFICATIONS POUR LES CANALISATIONS

Contactez votre municipalité pour connaître les codes de construction qui réglementent les installations de grills à gaz d'extérieur. En l'absence de codes locaux, l'installation doit être conforme à la dernière édition du Code national sur les gaz combustibles : ANSI Z223.1/NFPA 54, ou CAN/CGA-B149.1, Code des installations au gaz naturel et propane.

### NOUS RECOMMANDONS QUE CETTE INSTALLATION SOIT FAITE PAR UN PROFESSIONNEL.

Vous trouverez ci-dessous quelques exigences générales extraites du/des code(s).

- Ce grill est conçu pour fonctionner avec une pression de colonne d'eau de 7" (0,2526 psi).
- Une valve de fermeture manuelle doit être installée dehors, immédiatement avant la déconnexion rapide.
- Une valve de fermeture manuelle supplémentaire devrait être installée à l'intérieur sur la conduite d'alimentation de branche, à un emplacement accessible près de la conduite d'alimentation.
- La déconnexion rapide se connecte à un filetage de 3/8" NPT en provenance de la source de gaz. Le raccord de déconnexion rapide est un dispositif manipulé à la main qui coupe automatiquement le débit de gaz en provenance de la source lorsque le barbecue est débranché.
- Le raccord à déconnexion rapide peut être installé à l'horizontale ou être orienté vers le bas mais ne doit jamais pointer vers le haut. L'installer avec l'extrémité ouverte orientée vers le haut risque de provoquer une accumulation d'eau et de débris à l'intérieur du raccord de déconnexion rapide.
- Les caches anti-poussière (bouchons de plastique fournis avec votre grill) contribuent à maintenir les extrémités ouvertes du raccord de déconnexion rapide propres lorsqu'elles sont déconnectées.
- Lorsque vous faites les branchements, utilisez uniquement des composants de canalisations résistants à l'action du gaz naturel.
- Le connecteur extérieur doit être fermement fixé à une structure rigide permanente.

**⚠ MISE EN GARDE : Ne faites pas passer le tuyau de dix pied sous une terrasse. Le tuyau doit être visible.**

- Pour la taille et la longueur correctes de la canalisation pour la conduite de gaz, voir la dernière édition du Code national des gaz combustibles : ANSI Z 223.1/NFPA 54, ou CAN/CGA-B149.1, Code des installations de gaz naturel et propane.
- La canalisation de gaz peut être un tubage en cuivre, de type K ou L ; tube en plastique polyéthylène, avec une épaisseur de paroi minimale de 0,062" ; ou un tubage au poids standard (plan 40) en acier ou en fonte de fers.
- Le tubage en cuivre doit être étamé si le gaz contient plus de 0,3 grammes de sulfure d'hydrogène pour 100 pieds cubes de gaz.
- Le tubage en plastique convient uniquement pour une utilisation souterraine en extérieur.
- Une canalisation de gaz en contact avec de la terre, ou tout autre matériau susceptible de corroder la canalisation, doit être protégée contre la corrosion d'une manière homologuée.
- Une canalisation souterraine doit être recouverte d'une épaisseur minimale de 18".

### STOCKAGE ET/OU INUTILISATION

Le gaz doit être fermé au niveau de l'arrivée de gaz naturel lorsque le grill à gaz naturel WEBER est inutilisé.

- Si vous stockez le grill à gaz WEBER à l'intérieur, commencez par DÉBRANCHER l'arrivée de gaz.

Pour les grills qui ont été stockés ou qui ont été inutilisés pendant un certain temps, il est important de suivre ces consignes :

- Le grill à gaz WEBER devrait faire l'objet d'une détection des fuites et des obstructions éventuelles dans les tubes des brûleurs avant d'être utilisé. (Voir "MAINTENANCE ANNUELLE.")
- Vérifiez que les zones sous le panneau de commande et le plateau amovible de récupération des graisses sont dégagées de tout débris susceptible de faire obstacle à la circulation de l'air nécessaire à la combustion ou à la ventilation.
- Les grilles anti-araignées/insectes devraient également être vérifiées afin de détecter toutes obstructions. (Voir "MAINTENANCE ANNUELLE.")

### TEST SOUS PRESSION DE L'ARRIVÉE DE GAZ

- Débranchez votre grill à gaz WEBER pendant que l'arrivée de gaz est testée à des pressions élevées. Cet appareil et sa valve de fermeture individuelle doivent être débranchés du système de canalisation de l'arrivée de gaz durant tout test sous pression de ce système à des pressions de test supérieures à 1/2 psig (>3,5 kPa).
- Fermez votre grill à gaz WEBER pendant que l'arrivée de gaz est testée à des pressions basses. Cet appareil doit être isolé du système de canalisation de l'arrivée de gaz en fermant sa valve de fermeture manuelle individuelle durant tout test sous pression du système de canalisation de l'arrivée de gaz à des pressions de test inférieures ou égales à 1/2 psig (≤3,5 kPa).

### TEST DES RACCORDS

Tous les raccords et les joints doivent être testés de manière approfondie afin de détecter les fuites conformément aux codes locaux et à toutes les procédures énumérées dans la dernière édition du Code national du gaz combustible : ANSI Z223.1/NFPA 54, ou CAN/CGA-B149.1.

### CODES POUR L'INSTALLATION AUX USA

L'installation doit être conforme aux codes locaux ou, en l'absence de codes locaux, avec le Code national du gaz combustible, ANSI Z223.1/NFPA 54, Code des installations au gaz naturel et propane, CSA B149.1 ; ou code pour le stockage et la manipulation du propane, B149.2 ; ou la Norme relative aux véhicules de loisirs, ANSI A 119.2/NFPA 1192, et CSA Z240 Série RV, Code relatif aux véhicules de loisirs, le cas échéant.

### INSTALLATION AU CANADA

Ces instructions, bien que généralement acceptables, ne respectent pas nécessairement les Codes d'installation canadiens, en particulier en ce qui concerne les canalisations au-dessus du sol et les canalisations souterraines. Au Canada, l'installation de cet appareil doit être conforme aux codes locaux et/ou à la dernière édition de la Norme CAN/CGA-B149.1 (Code des installations au gaz naturel et au propane).

### INSTALLATION TYPIQUE DE CANALISATION

Voici une installation de canalisation typique pour un grill à gaz naturel WEBER. Il est possible que les codes locaux exigent des installations différentes.

DANS LA MAISON		DEHORS	
1	Arrivée de gaz	3	Déconnexion rapide
2	Fermeture	4	Tuyau de raccord de 3/8"
		5	Réduction du couplage
		6	Tuyau de raccord de 1/2"
		7	Fermeture à verrou
		8	Ne pas utiliser

**NE JAMAIS UTILISER AUCUN TYPE DE RACCORD ÉVASÉ SUR CETTE INSTALLATION.**



## PRESQUE PRÊT POUR LA GRILLADE

Un dispositif de déconnexion rapide connecte votre grill à l'arrivée de gaz. Une fois le raccordement effectué, une détection des fuites devra être effectuée.

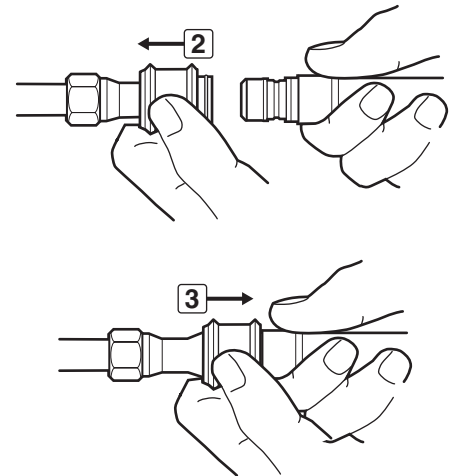
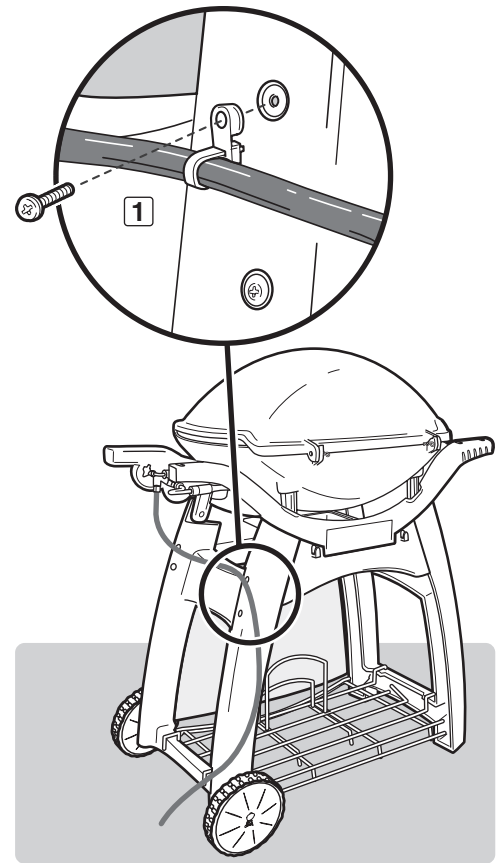
### CONNEXION DU TUYAU SOUPLE A L'ARRIVEE DE GAZ

- A) Retirez la vis du pied droit du chariot. Insérez la pince de retenue du tuyau. Remettez la vis en place (1).
- ⚠ **MISE EN GARDE : Le tuyau doit être fixé au pied du chariot par la pince de retenue. Le non respect des consignes de sécurité risquerait de détériorer le tuyau, ce qui pourrait provoquer un incendie ou une explosion, susceptibles d'entraîner des blessures graves ou un décès ainsi que des dégâts matériels.**
- B) Fermez l'arrivée de gaz à la source.
- C) Faites glisser le collier de la déconnexion rapide vers l'arrière (2).
- D) Enfoncez le raccord mâle du tuyau dans la déconnexion rapide puis maintenez la pression. Faites glisser le collier fermé (3). S'il ne s'engage pas ou ne se verrouille pas, répétez la procédure.

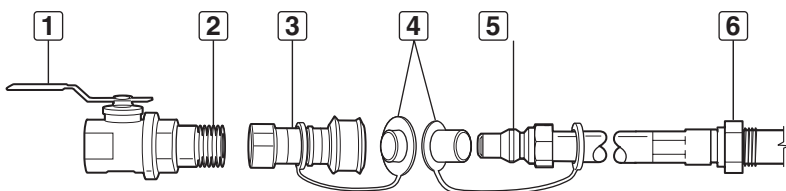
Cette procédure va créer un joint de gaz. Le gaz ne s'écoulera pas tant que la déconnexion rapide ne sera pas engagée correctement. Pour déconnecter le tuyau, enfoncez le collier vers l'arrière puis tirez-le hors du branchement. (Ceci ferme automatiquement le gaz.)

Votre barbecue WEBER est équipé d'un tuyau spécifique au modèle qui a été fixé au cours du processus de fabrication. Ce tuyau spécifique doit être utilisé pour assurer la performance. Si le tuyau devient usé ou endommagé, contactez le représentant du service clientèle de votre région en utilisant les informations de contact sur notre site web.

*Remarque : N'ouvrez pas la source de gaz tant que vous n'avez pas effectué de contrôle de détection des fuites. Voir "DETECTION DES FUITES DE GAZ."*



### RACCORDEMENT DU TUYAU DE GAZ NATUREL



1	Valve de fermeture	4	Caches anti-poussière
2	Raccord de tuyau	5	Raccord mâle
3	Douille	6	Raccord à charnière

## QU'EST-CE QU'UNE DÉTECTION DES FUITES ?

Le système d'alimentation de votre grill est composé de connexions et de raccords. Une détection des fuites est une méthode fiable pour vous assurer qu'il n'y a pas de gaz qui s'échappe de l'une des connexions ou de l'un des raccords.

Bien que tous les raccords réalisés en usine aient fait l'objet d'une détection approfondie des fuites de gaz, il est important d'effectuer une détection des fuites de gaz avant d'utiliser votre grill pour la première fois, ainsi qu'à chaque fois que vous débranchez puis rebranchez un raccord et à chaque fois que vous effectuez une maintenance de routine.

### ⚠ DANGER

N'utilisez pas de flamme pour effectuer la détection des fuites de gaz. Assurez-vous qu'il n'y a pas d'étincelles ni de flammes nues dans la zone où vous détectez les fuites. Des étincelles ou des flammes nues provoqueraient un incendie ou une explosion, susceptibles d'entraîner des blessures graves ou un décès ainsi que des dégâts matériels.

- ⚠ **MISE EN GARDE** : Les raccords de gaz de votre grill à gaz ont été testés en usine. Néanmoins, nous vous recommandons de vérifier la totalité des raccords de gaz avant d'utiliser votre grill à gaz.
- ⚠ **MISE EN GARDE** : Effectuez ces contrôles de détection des fuites même si votre grill a été assemblé par un revendeur ou dans une boutique.
- ⚠ **MISE EN GARDE** : Vous devriez détecter les fuites de gaz à chaque fois que vous débranchez puis rebranchez un raccord de gaz.

*REMARQUE* : La totalité des raccords effectués en usine a fait l'objet d'un contrôle approfondi de détection des fuites et les brûleurs ont été testés à la flamme. Par mesure de sécurité, toutefois, vous devriez vérifier la totalité des raccords afin de détecter toute fuite éventuelle avant d'utiliser votre grill à gaz WEBER. L'expédition et la maintenance risquent de desserrer ou de détériorer un raccord de gaz.

### DETECTION DES FUITES DE GAZ

Il vous faudra : Une bouteille d'aérosol ou une brosse ou un chiffon et une solution d'eau savonneuse. (Vous pouvez préparer votre propre solution d'eau savonneuse en mélangeant 20% de savon liquide avec 80% d'eau ; ou, vous pouvez acheter une solution de détection des fuites au rayon plomberie de n'importe quelle quincaillerie.)

- A) Vérifiez si **TOUS** les boutons de commande du brûleur sont en position d'arrêt (○) (1). Les boutons de commande du brûleur doivent être en position d'arrêt (○), mais vous devriez vérifier pour vous assurer qu'ils sont arrêtés. Vérifiez en enfonçant les boutons de commande du brûleur et en les tournant dans le sens des aiguilles d'une montre. S'ils ne tournent pas, c'est qu'ils sont éteints. S'ils tournent, continuez à les tourner dans le sens des aiguilles d'une montre jusqu'à ce qu'ils s'arrêtent ; ensuite, ils seront éteints.

- B) Fermez l'arrivée de gaz à la source (2).

⚠ **MISE EN GARDE** : N'allumez pas les brûleurs pendant que vous détectez les fuites.

- C) Pour détecter les fuites, humidifiez les raccords à l'aide de la solution d'eau savonneuse, à l'aide d'une bouteille d'aérosol, d'une brosse ou d'un chiffon. Si des bulles se forment, ou si une bulle grossit, cela signifie qu'il y a une fuite. Appliquez la solution d'eau savonneuse sur les raccords suivants :

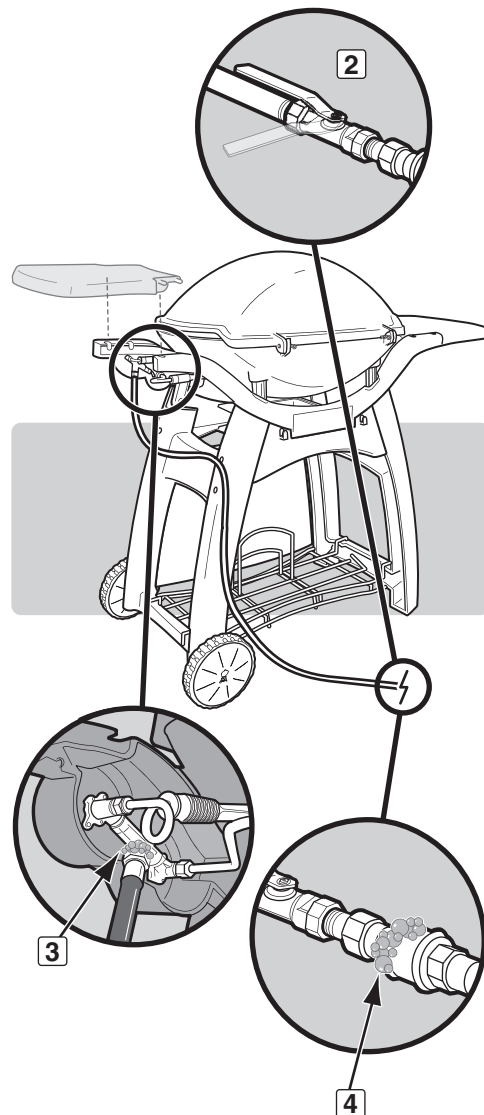
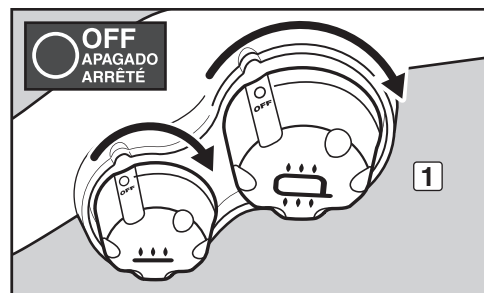
- a) Le raccord entre le tuyau et le collecteur (3).
- b) Raccord tuyau souple-vers-déconnexion rapide (4).

⚠ **MISE EN GARDE** : En cas de fuite au niveau des raccords (3 ou 4), fermez le gaz. **N'UTILISEZ PAS LE GRILL.** Contactez le Représentant du Service clientèle le plus proche à l'aide des coordonnées à votre disposition sur notre site Internet. Connectez-vous sur [www.weber.com](http://www.weber.com).

- D) Une fois les contrôles de détection des fuites terminés, fermez l'arrivée de gaz à la source et rincez les connexions à l'eau.

*REMARQUE* : Dans la mesure où certaines solutions de détection des fuites, notamment l'eau savonneuse, risquent de s'avérer légèrement corrosives, la totalité des raccords devrait être rincée à l'eau une fois la détection des fuites effectuée.

Maintenant, vous êtes prêt à utiliser votre grill.



## LA SECURITE AVANT TOUT

Il est préférable de prendre l'habitude d'effectuer quelques contrôles de sécurité avant de faire vos grillades.

La sécurité doit être prise en compte lorsque vous décidez où placer et utiliser votre grill. Assurez-vous de lire les mises en garde suivantes avant d'installer ou d'utiliser votre grill.

### MISES EN GARDE :

- ⚠ Utilisez ce grill uniquement en extérieur dans une zone bien ventilée. Ne l'utilisez pas dans un garage, dans un bâtiment, dans un passage couvert ou dans toute autre zone confinée.
- ⚠ Votre grill à gaz WEBER ne doit pas être utilisé sous une structure suspendue inflammable.
- ⚠ Votre grill à gaz WEBER n'est pas conçu pour être installé dans ou sur des véhicules de loisirs et/ou dans des bateaux.
- ⚠ N'utilisez pas le grill dans un rayon de 24 pouces par rapport à tout matériau inflammable. Ceci inclut le haut, le bas, l'arrière ou les côtés du grill.
- ⚠ Maintenez la zone de cuisson dégagée de toute vapeur inflammable et de tout liquide tel que de l'essence, de l'alcool, etc., et tout matériau inflammable.
- ⚠ La totalité du boîtier de cuisson atteint une température élevée pendant l'utilisation. Ne pas toucher.
- ⚠ Ne déplacez pas le barbecue à gaz WEBER en cours d'utilisation ou lorsque celui-ci est très chaud.

## BAC DE RECUPERATION DES GRAISSES AMOVIBLE ET EGOUTTOIR JETABLE

Votre grill a été pourvu de la conception d'un dispositif de récupération des matières grasses, qui canalise la graisse afin de l'éloigner des aliments, vers un bac de récupération amovible. Pour que cela soit plus pratique encore, vous pouvez également recouvrir le bac de récupération amovible d'un égouttoir jetable WEBER, ce qui contribuera à maintenir plus longtemps la propreté du bac de récupération des graisses amovible.

Le nettoyage du bac de récupération des graisses amovible est tout aussi important que le nettoyage du boîtier de cuisson. Vérifiez le bac de récupération des graisses amovible afin de détecter toute accumulation de matière grasse à chaque fois que vous utilisez votre grill. Retirez tout excès de matière grasse à l'aide d'un grattoir en plastique (1). Lavez l'égouttoir jetable à l'aide d'une solution d'eau savonneuse puis rincez à l'eau claire.

⚠ **AVERTISSEMENT :** Faire preuve de prudence, retirer avec précaution le bac de récupération et se débarrasser des graisses chaudes.

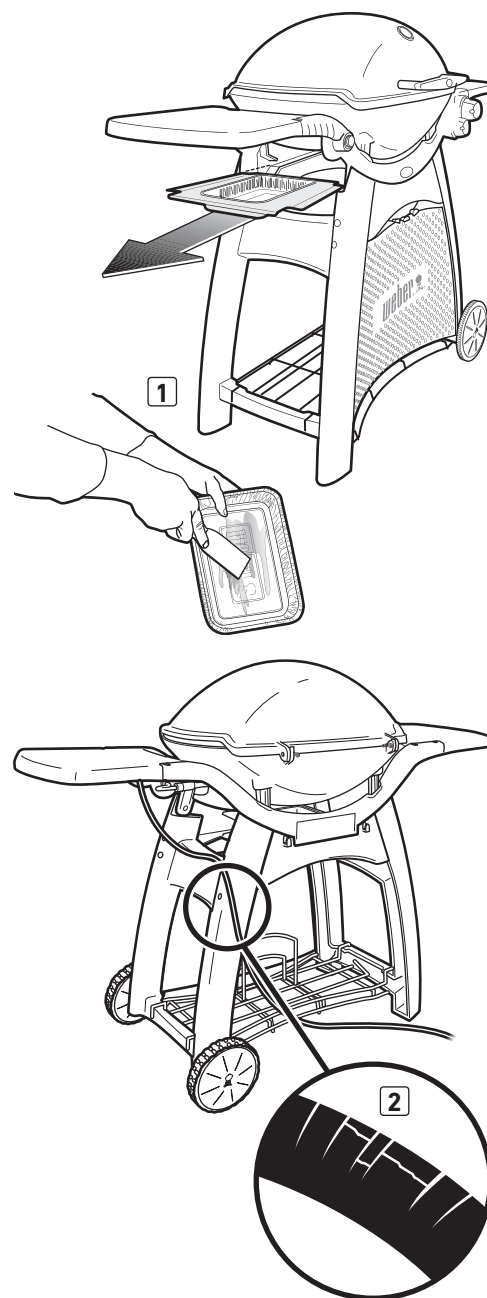
⚠ **MISE EN GARDE :** Vérifiez l'égouttoir jetable ou le bac de récupération des graisses amovible afin de détecter toute accumulation de matière grasse avant chaque utilisation. Retirez tout excès de matière grasse afin d'éviter un embrasement de la matière grasse. Un feu de matière grasse risquerait de provoquer des blessures graves ainsi que des dégâts matériels.

⚠ **ATTENTION :** Ne recouvrez pas le boîtier de cuisson, l'égouttoir jetable ni le bac de récupération des graisses amovible avec du papier aluminium.

### INSPECTION DU TUYAU

Le tuyau devrait être régulièrement inspecté afin de détecter tout signe de fissure (2).

⚠ **MISE EN GARDE :** Vérifiez le tuyau avant chaque utilisation du grill afin de détecter les entailles, les fissures, les abrasions ou les coupures. Si le tuyau s'avère détérioré de quelque manière que ce soit, n'utilisez pas le grill. Remplacez le tuyau en utilisant uniquement un tuyau de rechange agréé par WEBER. Contactez le Représentant du Service clientèle le plus proche à l'aide des coordonnées à votre disposition sur notre site Internet. Connectez-vous sur [www.weber.com](http://www.weber.com).



## METHODS POUR L'ALLUMAGE DU BRULEUR

Il existe deux façons d'allumer le brûleur. La première consiste à utiliser le dispositif d'allumage intégré à votre grill. La seconde s'effectue à l'aide d'une allumette.

Vous trouverez ci-après les étapes pour l'allumage de votre grill à l'aide du dispositif d'allumage. Sur la page suivante, vous trouverez les étapes pour l'allumage de votre grill à l'aide d'une allumette.

Vous trouverez des instructions brèves pour l'allumage sur le pied du chariot au-dessous des boutons de commande du brûleur.

### ALLUMAGE DU BRULEUR

#### Dispositif d'allumage électronique

Le dispositif d'allumage électronique allume le brûleur à l'aide d'une étincelle en provenance de l'électrode de l'allumeur à l'intérieur de la chambre d'allumage Gas Catcher™. C'est vous qui générez l'énergie de l'étincelle en enfonçant le bouton de l'allumeur. Vous entendrez l'allumeur émettre un déclic.

A) Ouvrez le couvercle du grill (1).

#### ⚠ DANGER

**Le fait de ne pas ouvrir le couvercle avant d'allumer le brûleur du grill, ou de ne pas patienter cinq minutes pour laisser le gaz se dissiper si le grill ne s'allumait pas, risque d'entraîner un embrasement explosif susceptible de provoquer des blessures graves voire un décès.**

B) Assurez-vous que **TOUS** les boutons de commande du brûleur sont éteints (2). Vérifiez en enfonçant les boutons de commande du brûleur et en les tournant dans le sens des aiguilles d'une montre jusqu'à ce qu'ils s'arrêtent.

⚠ **MISE EN GARDE** : Les boutons de commande du brûleur doivent être en position d'arrêt (○) avant que vous tourniez la valve de la bouteille de PL. Si elles ne sont pas en position d'arrêt (○) lorsque vous ouvrez la valve de la bouteille de PL, la fonction de "contrôle du débit de gaz en excès" s'active, limitant ainsi le débit de gaz en provenance de la bouteille de PL. Si cela se produisait, fermez la valve de la bouteille de PL ainsi que les boutons de commande du brûleur. Recommencez.

#### ⚠ DANGER

Lorsque la fonction de "contrôle du débit de gaz en excès" est activée, une petite quantité de gaz s'écoule toujours en direction des brûleurs. Après avoir fermé la valve de la bouteille de PL et les boutons de commande du brûleur, patientez au moins cinq minutes pour laisser le gaz se dissiper avant de tenter d'allumer le grill. Le non respect de cette consigne risque d'entraîner un embrasement explosif, susceptible de provoquer des blessures graves voire un décès.

- C) Ouvrez la valve d'arrivée de gaz (3).
- D) Allumez le brûleur extérieur en poussant le gros bouton de commande et en le tournant dans le sens inverse des aiguilles d'une montre jusqu'à la position (⚡) (4).
- E) Enfoncez puis maintenez enfoncé le bouton de l'allumeur (5). Vous entendrez l'allumeur émettre un déclic.
- F) Vérifiez si le brûleur est allumé en regardant à travers les grilles de cuisson. Vous devriez voir une flamme.

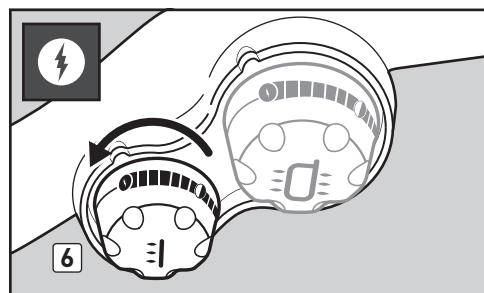
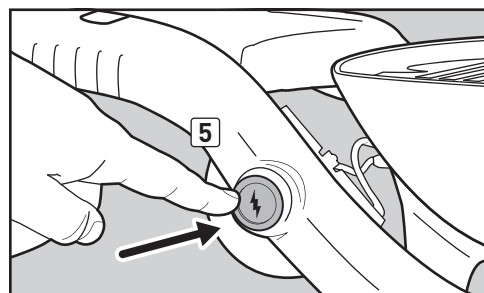
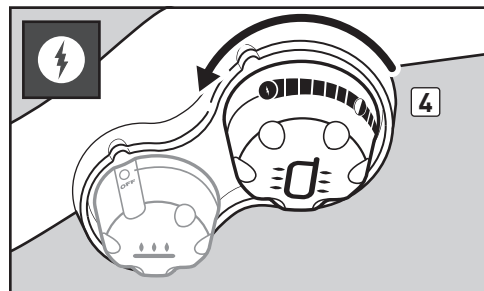
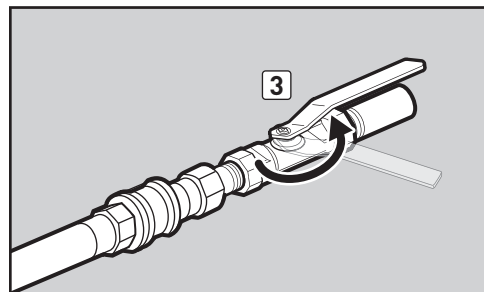
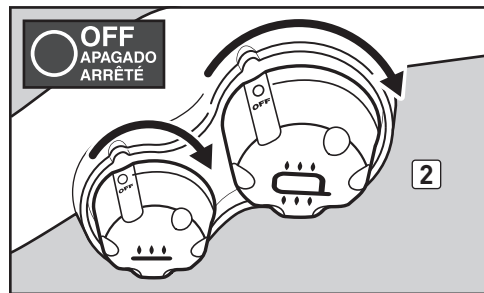
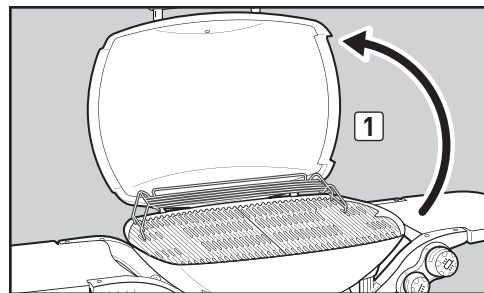
⚠ **MISE EN GARDE** : Lorsque vous allumez le grill ou que vous cuisinez, ne vous penchez jamais au-dessus d'un grill ouvert.

⚠ **MISE EN GARDE** : Si le brûleur ne s'allume pas sous cinq secondes, arrêtez, positionnez le bouton de commande du brûleur sur arrêt puis patientez cinq minutes afin de laisser le gaz se dissiper avant d'essayer à nouveau ou de l'allumer à l'aide d'une allumette.

- G) Après avoir allumé le brûleur extérieur, vous pouvez allumer le brûleur intérieur. Poussez le petit bouton de commande et tournez-le jusqu'à la position (⚡) démarrage/haut (6). Le brûleur intérieur sera alors allumé par le brûleur extérieur.

#### POUR ETEINDRE LE BRULEUR

Enfoncez chacun des boutons de commande du brûleur puis tournez-le dans le sens des aiguilles d'une montre vers la position d'arrêt (○). Fermez l'arrivée de gaz à la source.



**Certaines piles sont protégées par un emballage plastique. Ce plastique doit être retiré avant de tenter d'allumer votre grill. Ne confondez pas ce plastique avec l'étiquette de la pile.**

# ALLUMAGE DU BRÛLEUR & UTILISATION

## ALLUMAGE DU BRÛLEUR

### Allumage à l'aide d'une allumette

A) Ouvrez le couvercle du grill (1).

#### **⚠ DANGER**

**Le fait de ne pas ouvrir le couvercle avant d'allumer le brûleur du grill, ou de ne pas patienter cinq minutes pour laisser le gaz se dissiper si le grill ne s'allumait pas, risque d'entraîner un embrasement explosif susceptible de provoquer des blessures graves voire un décès.**

B) Assurez-vous que **TOUS** les boutons de commande du brûleur sont éteints (2). Vérifiez en enfonceant les boutons de commande du brûleur et en les tournant dans le sens des aiguilles d'une montre jusqu'à ce qu'ils s'arrêtent.

**⚠ MISE EN GARDE : Les boutons de commande du brûleur doivent être en position d'arrêt (○) avant que vous tourniez la valve de la bouteille de PL. Si elles ne sont pas en position d'arrêt (○) lorsque vous ouvrez la valve de la bouteille de PL, la fonction de "contrôle du débit de gaz en excès" s'active, limitant ainsi le débit de gaz en provenance de la bouteille de PL. Si cela se produisait, fermez la valve de la bouteille de PL ainsi que les boutons de commande du brûleur. Recommencez.**

#### **⚠ DANGER**

**Lorsque la fonction de "contrôle du débit de gaz en excès" est activée, une petite quantité de gaz s'écoule toujours en direction des brûleurs. Après avoir fermé la valve de la bouteille de PL et les boutons de commande du brûleur, patientez au moins cinq minutes pour laisser le gaz se dissiper avant de tenter d'allumer le grill. Le non respect de cette consigne risque d'entraîner un embrasement explosif, susceptible de provoquer des blessures graves voire un décès.**

C) Ouvrez la valve d'arrivée de gaz (3).

D) Allumez une allumette et mettez la flamme sous le trou d'allumage pour allumette (4). Tout en tenant l'allumette allumée, allumez le brûleur extérieur en poussant le gros bouton de commande vers l'intérieur et en le tournant dans le sens inverse des aiguilles d'une montre jusqu'à la position (♠) « démarrage/haut » (5).

E) Vérifiez si le brûleur est allumé en regardant à travers les grilles de cuisson. Vous devriez voir une flamme.

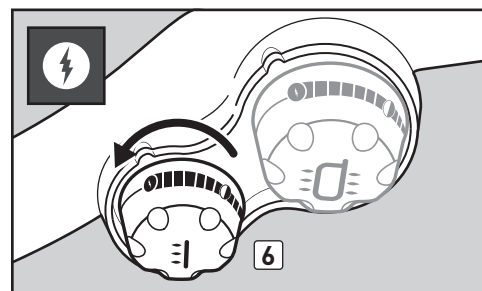
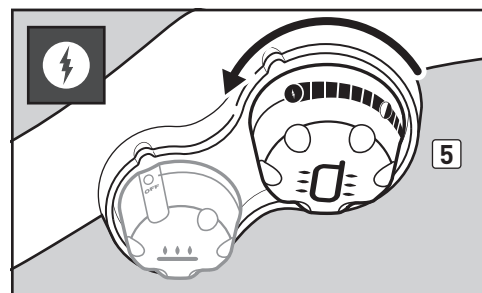
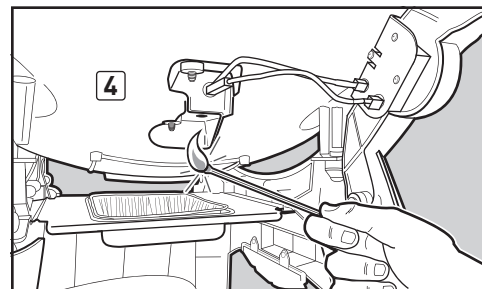
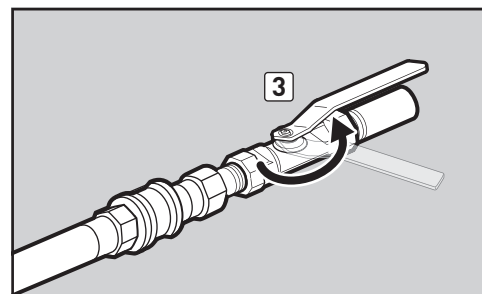
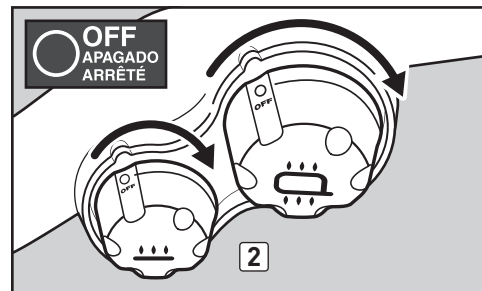
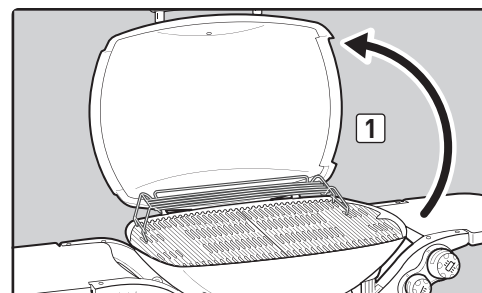
**⚠ MISE EN GARDE : Ne vous penchez pas au-dessus du grill ouvert pendant l'allumage. Maintenez le visage et le corps à au moins 12 po (30 cm) d'écart par rapport au trou d'allumage à l'aide d'une allumette lorsque vous allumez le grill.**

**⚠ MISE EN GARDE : Si le brûleur ne s'allume pas sous cinq secondes, arrêtez, positionnez le bouton de commande du brûleur sur arrêt puis patientez cinq minutes afin de laisser le gaz se dissiper avant d'essayer à nouveau ou de l'allumer à l'aide d'une allumette.**

F) Après que le brûleur extérieur soit allumé, vous pouvez allumer le brûleur intérieur. Enfoncez le petit bouton de commande vers l'intérieur et tournez le jusqu'à la position (♠) « démarrage/haut » (6). Le brûleur intérieur sera alors allumé par le brûleur extérieur.

### POUR ÉTEINDRE LE BRÛLEUR

Enfoncez chacun des boutons de commande du brûleur puis tournez-le dans le sens des aiguilles d'une montre vers la position d'arrêt (○). Fermez l'arrivée de gaz à la source.



## CONSEILS & ASTUCES

- Préchauffez toujours le grill avant la cuisson. Réglez le(s) brûleur(s) sur température élevée puis fermez le couvercle ; préchauffez pendant 10 à 15 minutes.
- La température de votre grill à gaz peut s'élever davantage que lors d'un fonctionnement normal au cours des premières utilisations.
- Les durées de grillade fournies dans les recettes sont basées sur des températures extérieures de 70°F (21°C) et avec peu voire pas de vent. Laissez les aliments cuire plus longtemps lorsque les journées sont froides ou venteuses, ou lorsque l'altitude est plus élevée. Laissez les aliments cuire moins longtemps lorsque le temps est extrêmement chaud.
- Les conditions de grillade peuvent nécessiter un ajustement des boutons de commande du brûleur afin d'atteindre les températures de cuisson correctes.
- Saisissez les viandes et cuisez avec le couvercle fermé pour obtenir des aliments parfaitement grillés à chaque fois.
- Le fait d'entasser les aliments sur une grille de cuisson signifie qu'une durée de cuisson plus longue sera nécessaire pour cuire les aliments.
- Retirez l'excès de matière grasse des steaks, des côtes et des rôtis, et ne laissez pas plus de ¼ de pouce (6,4 mm) de matière grasse. Le fait qu'il y ait moins de matière grasse rend le nettoyage plus facile, et cela constitue presque une garantie contre les embrasements indésirables.
- En général, les gros morceaux de viande nécessitent une durée de cuisson plus longue par livre (kilo) par rapport aux petits morceaux de viande.
- Certains aliments, comme les plats mijotés ou les filets fins de poisson, nécessitent l'utilisation d'un récipient pour la grillade. Les plats jetables en aluminium sont très pratiques, mais

tout type de plat métallique ayant des poignées qui résistent au four peut également être utilisé.

- Les aliments dans des récipients, comme les haricots, nécessitent une durée de grillade plus longue dans un plat profond par rapport au temps nécessaires si vous utilisez un plat à grillade peu profond.
- Utilisez des pinces plutôt qu'une fourchette pour retourner et manipuler la viande afin d'éviter de perdre les jus naturels. Utilisez deux spatules pour manipuler des poissons entiers de grande taille.
- Assurez-vous toujours que le boîtier de cuisson et l'égouttoir jetable sont propres et qu'ils ne contiennent aucun débris.
- Ne couvrez pas le boîtier de cuisson avec du papier aluminium. Ceci risquerait d'empêcher la graisse de s'écouler vers l'égouttoir jetable.
- En cas d'embrasement indésirable, éteignez le(s) brûleur(s) puis déplacez les aliments vers une autre zone de la grille de cuisson. Toute flamme résiduelle devrait rapidement disparaître. Une fois les flammes éteintes, rallumez le grill. **N'UTILISEZ JAMAIS D'EAU POUR ÉTEINDRE DES FLAMMES SUR UN GRILL À GAZ.**
- L'utilisation d'un minuteur vous permettra d'être averti lorsque "bien cuit" sera sur le point de devenir "trop cuit".
- Une légère couche d'huile aidera à faire dorer les aliments de façon uniforme et les empêchera de coller à la grille de cuisson. Brossez ou aspergez toujours l'huile sur vos aliments, pas directement sur la grille de cuisson.
- Lorsque vous utilisez une marinade, une sauce ou un glaçage à haute teneur en sucre ou tout autre aliment qui brûle facilement, badigeonnez les aliments uniquement pendant les 5 à 10 dernières minutes du barbecue.

## PRECHAUFFAGE

Il est important de préchauffer le grill avant de commencer les grillades. Pour préchauffer : Allumez votre grill conformément aux instructions du présent Mode d'emploi ; ensuite, positionnez le(s) brûleur(s) sur la position démarrer/élevé (\*), fermez le couvercle et préchauffez le grill. Ceci va prendre 10 à 15 minutes en fonction de conditions comme la température ambiante et le vent. Après le préchauffage, vous pouvez ajuster le(s) brûleur(s) selon vos souhaits.

**⚠ MISE EN GARDE : Si le(s) brûleur(s) s'éteint/s'éteignent alors que le grill est en fonctionnement, fermez le bouton/tous les boutons de commande du brûleur/des brûleurs. Ouvrez le couvercle et patientez cinq minutes avant de tenter de rallumer le grill, en utilisant les instructions pour l'allumage.**

## CUISSON COUVERTE

Toute la grillade est effectuée avec le couvercle fermé afin d'assurer une circulation uniforme et homogène de la chaleur. Avec le couvercle fermé, le grill à gaz cuit d'une manière qui ressemble beaucoup à la cuisson dans un four à convection. Le thermomètre dans le couvercle, une fonctionnalité de certains de nos grills, indique la température à l'intérieur du grill. La totalité du préchauffage et des grillades s'effectue avec le couvercle fermé. Ne regardez pas — le grill perd de la chaleur à chaque fois que vous soulevez le couvercle.

## DISPOSITIF DE RECUPERATION DES GRAISSES

La conception unique de la grille de cuisson propose des rails en fonte de fer avec angles qui renvoient les gouttes loin du/des tube(s) du brûleur, empêchant ainsi tout embrasement susceptible de carboniser les aliments. Le reste des gouttes tombe dans un bac de récupération des graisses amovible qui se glisse facilement vers l'extérieur pour le nettoyage.


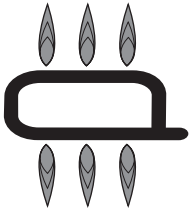



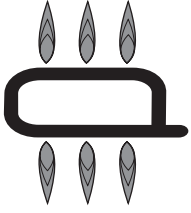



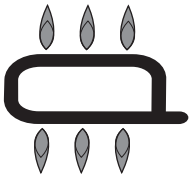
**Pour plus d'astuces et de recettes pour vos grillades, visitez [www.weber.com](http://www.weber.com).**

# METHODE DE CUISSON

## METHODE DIRECTE OU METHODE INDIRECTE ?

La chose la plus importante à savoir à propos des grillades c'est quelle méthode de cuisson utiliser pour un aliment spécifique, directe ou indirecte. La différence est simple. Avec la méthode directe, qui est similaire à la grillade dans un four, les aliments sont cuits directement au-dessus du feu. Avec la méthode indirecte, le feu est disposé de chaque côté des aliments. La méthode indirecte est similaire au rôtissage, mais avec les avantages supplémentaires de cette texture grillée, de cette saveur et de cet aspect que vous ne pourrez pas obtenir avec une cuisson au four. L'utilisation de la bonne méthode est le chemin le plus court pour obtenir d'excellents résultats — et la meilleure manière de garantir une cuisson en toute sécurité.

Avec chacune de ces méthodes, vous pouvez ajuster les brûleurs selon vos souhaits. Les réglages des commandes — ELEVE, MOYEN, FAIBLE ou ARRÊTE — sont décrits dans le tableau à droite. Par exemple, pour saisir des steaks, réglez les deux brûleurs sur ELEVE, puis pour terminer la cuisson, réglez les deux brûleurs sur FAIBLE. Pour de formidables inspirations pour vos grillades, consultez [www.weber.com/recipes](http://www.weber.com/recipes).

METHODE DE CUISSON & UTILISATIONS	REGLAGE DE LA COMMANDE DU BRULEUR INTERNE	REGLAGE DE LA COMMANDE DU BRULEUR EXTERNE
<b>PRECHAUFFAGE</b>	 ELEVE	 ELEVE
<b>DIRECTE LENTE</b> Morceaux de poulet, saucisses	 FAIBLE	 FAIBLE
<b>SAISIE</b> Steak et morceaux qui doivent être saisis <i>Commencez par saisir les steaks épais sur une chaleur directe élevée...</i>  <i>...finissez en cuisant à chaleur directe faible</i>	 ELEVE	 ELEVE
	 FAIBLE	 FAIBLE
<b>INDIRECTE</b> Petit poulet entier	 ARRÊTE	 MOYEN

## DEPANNAGE GENERAL

PROBLEMES	SOLUTIONS
Le brûleur ne s'allume pas lorsque vous enfoncez le bouton de l'allumeur.	<p>Assurez-vous que du gaz circule en direction des brûleurs en tentant d'allumer vos brûleurs à l'aide d'une allumette. Voir "ALLUMAGE DU BRULEUR — Allumage à l'aide d'une allumette." Si l'allumage à l'aide d'une allumette réussit, cela signifie que le problème provient du dispositif d'allumage. Voir "MAINTENANCE DU DISPOSITIF D'ALLUMAGE ELECTRONIQUE."</p> <p>Assurez-vous que les câbles sont correctement insérés à l'intérieur des terminaux sur l'assemble de l'électrode de l'allumeur. Vérifiez si les câbles sont connectés aux terminaux sur le module de l'allumeur électronique. Voir "MAINTENANCE DU DISPOSITIF D'ALLUMAGE ELECTRONIQUE."</p> <p>Si une pile neuve a été mise en place, confirmez que l'emballage plastique a été retiré. Vérifiez que la pile est en bon état et qu'elle a été installée correctement. Voir "MAINTENANCE DU DISPOSITIF D'ALLUMAGE ELECTRONIQUE."</p>
Le brûleur ne s'allume pas, ou la flamme est faible lorsque le bouton de commande du brûleur est positionné sur élevé (↑).	Le tuyau de combustible pourrait être plié ou pincé. Redressez le tuyau de combustible.
La forme de la flamme du brûleur est irrégulière. La flamme est faible lorsque le bouton de commande du brûleur est positionné sur élevé (↑). Les flammes ne courent pas sur toute la longueur du tube du brûleur.	Nettoyez les ports du brûleur situés sur toute la longueur du tube du brûleur. Voir "MAINTENANCE ANNUELLE."
Les brûleurs brûlent avec une flamme jaune ou orange, en association avec une odeur de gaz.	Inspectez les grilles anti-araignées/insectes afin de détecter des obstructions éventuelles. (Blocage des trous.) Nettoyez les grilles anti-araignées/insectes. Voir "MAINTENANCE ANNUELLE."
Des embrasements se produisent.	Le grill doit être préchauffé avec tous les brûleurs réglés sur élevé pendant 10 à 15 minutes.
⚠ <b>ATTENTION : Ne couvrez pas le boîtier de cuisson avec du papier aluminium.</b>	Nettoyez les grilles de cuisson de manière approfondie afin d'éliminer la graisse. Voir "NETTOYAGE DE L'INTERIEUR DU GRILL."
	Le boîtier de cuisson est peut-être sale et il ne laisse peut-être pas la graisse s'écouler vers le bac de récupération amovible. Nettoyez le boîtier de cuisson. Voir "NETTOYAGE DE L'INTERIEUR DU GRILL."
L'intérieur du couvercle semble "s'écailler." (Ressemble à de la peinture qui s'écaille.)	L'intérieur du couvercle est composé de fonte aluminium. Il n'est pas peint. Il ne peut pas s'écailler. Ce que vous voyez c'est de la graisse carbonisée qui s'envole sous forme de flocons. <b>CE N'EST PAS UN DEFAULT.</b> Nettoyez l'intérieur du couvercle de manière approfondie. Voir "NETTOYAGE DE L'INTERIEUR DU GRILL."

Si les problèmes ne peuvent pas être corrigés en utilisant ces méthodes, veuillez contacter le Représentant du Service clientèle le plus proche à l'aide des coordonnées à votre disposition sur notre site Internet. Connectez-vous sur [www.weber.com](http://www.weber.com).



## CONSERVER VOTRE GRILL WEBER EN PARFAIT ÉTAT

### ⚠ DANGER

Le fait de ne pas corriger l'un des problèmes décrits sur cette page peut provoquer un incendie, ce qui est susceptible d'entraîner des blessures graves voire un décès ainsi que provoquer des dégâts matériels.

Afin que votre grill à gaz WEBER demeure aussi sûr et efficace qu'au premier jour, nous vous recommandons fortement d'inspecter et de nettoyer la ou les grille(s) anti-araignées/insectes ainsi que les tubes du brûleur au moins une fois par an. Vous trouverez ci-dessous des informations importantes sur ces deux zones du grill qui devraient faire l'objet d'un entretien annuel.

**Si vous observez une forme de flamme incorrecte ou si vous voyez qu'un des ports du brûleur est obstrué, suivez les instructions intitulées "NETTOYAGE OU REMPLACEMENT DU TUBE DU BRÛLEUR" à la page suivante.**

### FORME DE LA FLAMME DU BRÛLEUR

Le(s) tube(s) du brûleur à l'intérieur de votre grill à gaz WEBER est/ont été paramétré(s) en usine afin d'accepter un mélange correct de gaz et d'air. La forme correcte de flamme est présentée sur l'illustration et elle est décrite ci-dessous :

- Tube(s) du brûleur (1)
- Les extrémités vacillent occasionnellement en jaune (2)
- Bleu clair (3)
- Bleu foncé (4)

Vérifiez la forme de la flamme du brûleur. Si les flammes ne correspondent pas à la description ci-dessus, cela pourrait être une indication que la ou les grille(s) anti-araignées/insectes sont encrassées ou obstruées.

### GRILLE(S) ANTI-ARAIGNÉES/INSECTES WEBER

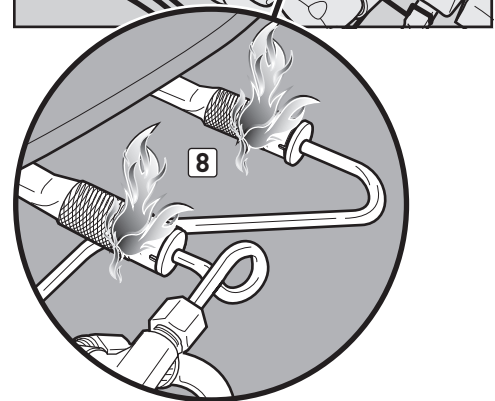
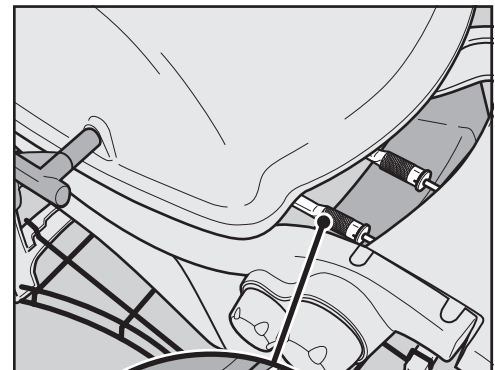
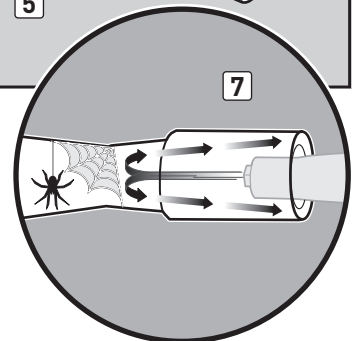
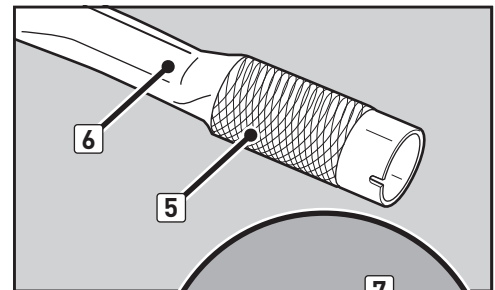
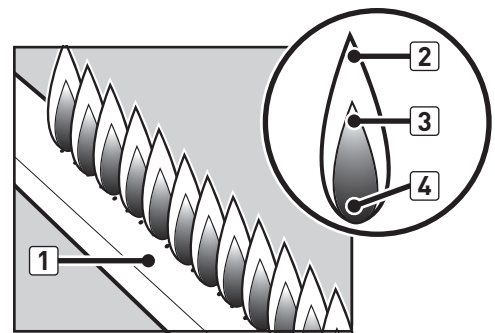
La ou les ouverture(s) permettant le passage de l'air nécessaire à la combustion au niveau du ou des tube(s) du brûleur (5) est/sont équipés d'une ou plusieurs grilles en acier inoxydable afin d'empêcher les araignées et les autres insectes de tisser des toiles et de construire des nids à l'intérieur des aérations (6) du/des tube(s) du brûleur. Ces nids peuvent faire obstacle à la circulation normale du gaz, et ils peuvent provoquer un reflux du gaz à travers la ou les ouverture(s) permettant le passage de l'air nécessaire à la combustion (7). Les symptômes de ce type d'obstruction incluent une odeur de gaz associée à des flammes du brûleur qui semblent jaunes et faibles. Cette obstruction risquerait d'entraîner un incendie (8) à l'intérieur et autour de la ou des valve(s) de gaz, et cela provoquerait de graves dégâts pour votre grill.

*REMARQUE : Si une grille anti-araignées/insectes est détériorée ou si elle ne peut pas être nettoyée, veuillez contacter le Représentant du Service clientèle le plus proche à l'aide des coordonnées à votre disposition sur notre site Internet. Connectez-vous sur [www.weber.com](http://www.weber.com).*

### PORTS DU TUBE DU BRÛLEUR

Au fil du temps, en raison de l'utilisation répétée du grill, les ports du tube du brûleur s'encrassent. Des ports obstrués et sales peuvent diminuer la circulation du gaz. Voici des méthodes qui permettent de déterminer si les ports du tube du brûleur sont encrassés ou obstrués.

- Le grill n'atteint pas la température souhaitée
- Le grill ne chauffe pas uniformément
- Un ou plusieurs brûleur(s) ne s'allume(nt) pas



## NETTOYAGE DU TUBE DU BRULEUR OU REMPLACEMENT

Confirmez que le grill est éteint et qu'il a refroidi

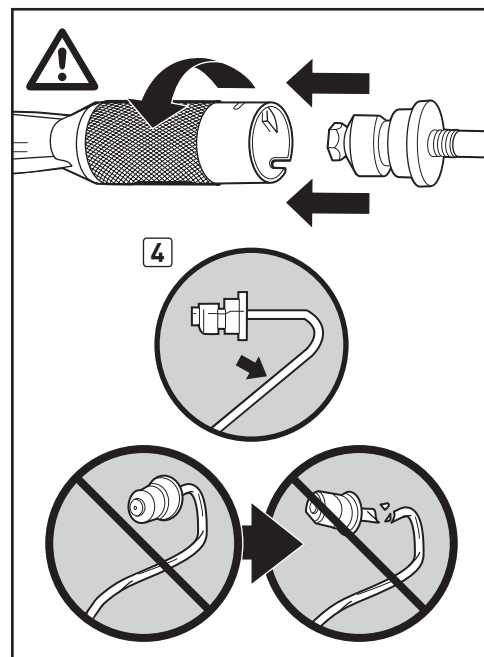
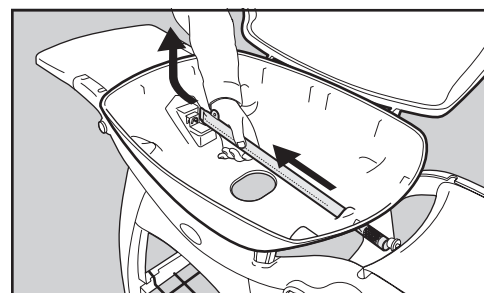
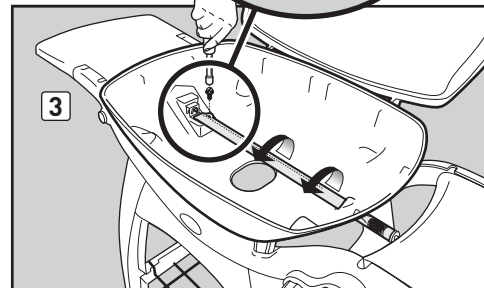
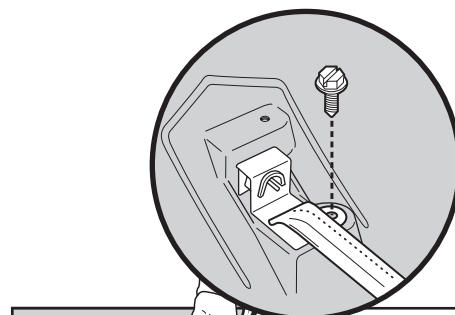
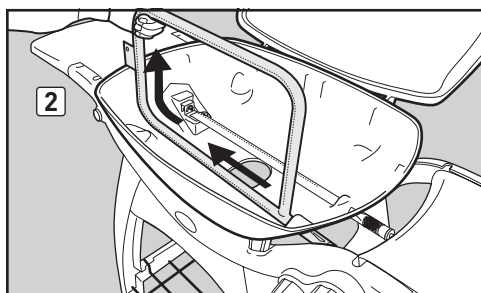
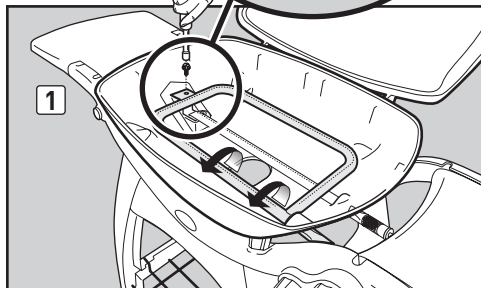
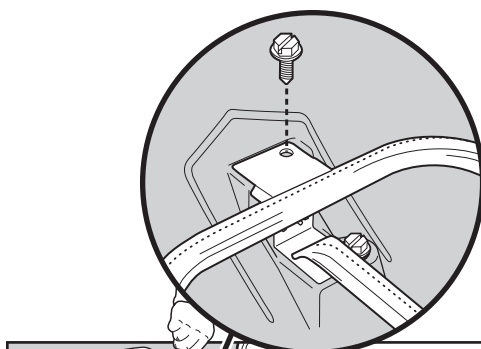
- A) Fermez l'arrivée de gaz à la source et déconnectez le raccord de gaz.
- B) Vérifiez que tous les boutons de commande du brûleur sont positionnés sur arrêt (O). Vérifiez en enfonçant les boutons de commande et en les tournant dans le sens des aiguilles d'une montre jusqu'à ce qu'ils s'arrêtent. S'ils ne tournent pas, c'est qu'ils sont déjà en position d'arrêt. S'ils tournent, continuez à les tourner dans le sens des aiguilles d'une montre jusqu'à ce qu'ils s'arrêtent ; ils sont alors en position d'arrêt.
- C) Ouvrez le couvercle et retirez les grilles de cuisson.

### Retirez les tubes du brûleur

Il vous faudra : Une clé de 3/8".

- A) Retirez la vis qui maintient le tube du brûleur externe contre le boîtier de cuisson **(1)**.
- B) Faites pivoter le tube du brûleur extérieur de 90°. Faites glisser et soulevez le tube du brûleur pour l'éloigner de l'orifice de la valve et retirez-le du boîtier de cuisson **(2)**.
- C) Répétez cette procédure pour le tube du brûleur intérieur **(3)**.

**⚠ ATTENTION : Il convient de faire preuve de prudence lorsque vous retirez ou que vous réinstallez les tubes du brûleur. Ne forcez pas ou ne pliez pas les conduites de gaz qui relient les valves de commande aux tubes du brûleur (4).**



## Nettoyez les tubes du brûleur

Il vous faudra : Une lampe torche, un fil de fer (un cintre déplié), une brosse adaptée en acier inoxydable, et une brosse souple (brosse à dents).

A) Regardez à l'intérieur de chacun des tubes du brûleur à l'aide d'une lampe torche (5).

B) Nettoyez tous débris ou toute obstruction se trouvant à l'intérieur des tubes du brûleur à l'aide du fil de fer (6).

C) Vérifiez les grilles anti-araignées/anti-insectes aux extrémités des tubes du brûleur et nettoyez-les à l'aide de la brosse souple (7).

**⚠ ATTENTION : Ne nettoyez pas les grilles anti-araignées/insectes à l'aide d'outils rigides ou aiguisés. Ne démontez pas les grilles anti-araignées/anti-insectes ou n'élargissez pas les ouvertures des grilles.**

D) Utilisez la brosse souple pour nettoyer l'extérieur des tubes du brûleur. Cela sert à s'assurer que tous les ports du brûleur (ouvertures) situés le long des tubes du brûleur sont complètement ouverts (8).

**⚠ ATTENTION : N'élargissez pas les ports du brûleur pendant le nettoyage.**

## Réinstallez les tubes du brûleur

Il vous faudra : Une clé de 3/8".

A) Faites glisser avec prudence le tube du brûleur intérieur à l'intérieur du trou du côté droit du boîtier de cuisson (9), en alignant l'ouverture du tube du brûleur avec l'orifice de la valve (10).

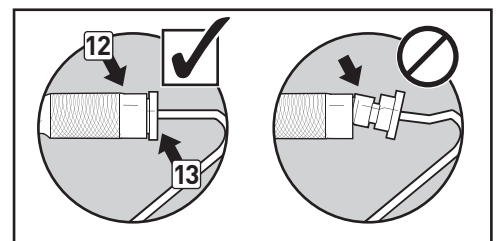
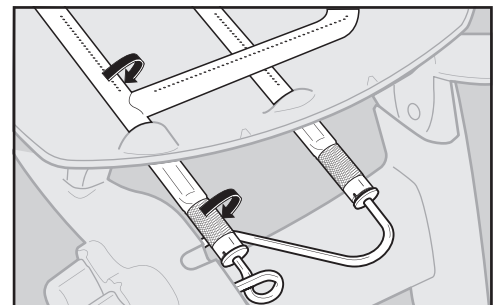
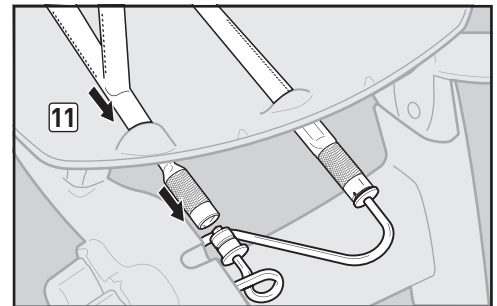
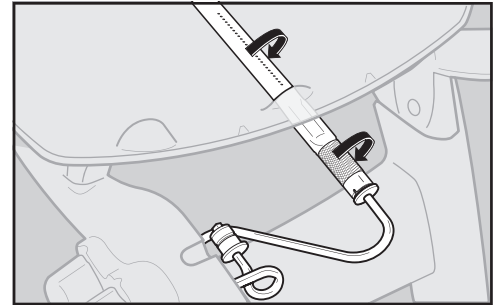
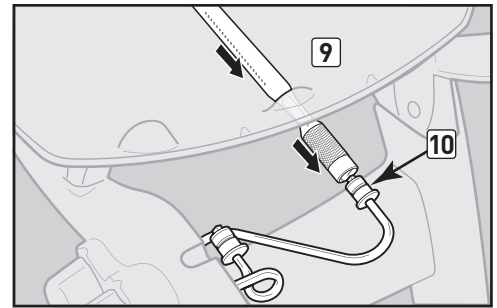
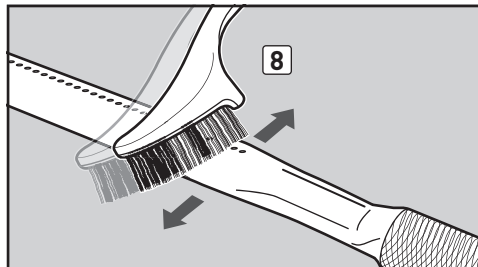
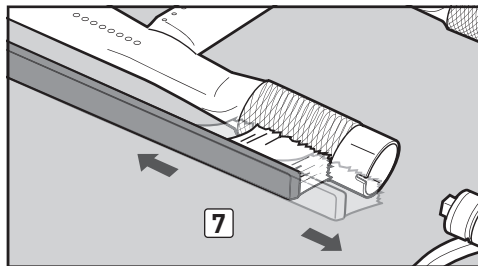
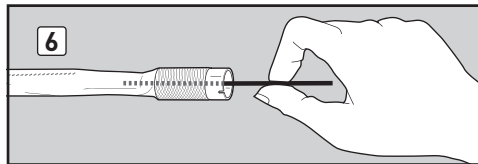
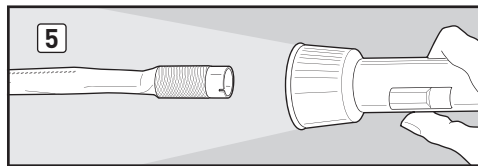
B) Réinstallez la vis qui maintient le tube du brûleur intérieur contre le boîtier de cuisson.

C) Répétez cette procédure pour le tube du brûleur externe (11).

**⚠ ATTENTION : Les ouvertures du tube du brûleur (12) doivent être positionnées correctement au-dessus des orifices de la valve (13).**

**⚠ MISE EN GARDE : Vous devriez effectuer un contrôle de détection des fuites à chaque fois que vous débranchez puis rebranchez un raccord de gaz. Voir DETECTION DES FUITES DE GAZ.**

D) Remettez en place les composants du boîtier de cuisson (non illustré).



## MAGNIFIQUE—DEDANS COMME DEHORS

Les propriétaires de grills WEBER sont très fiers de leurs grills. Entretenez votre fierté et votre joie. Maintenez votre grill propre et magnifique — à l'intérieur comme à l'extérieur - en suivant ces étapes de maintenance de routine.

### NETTOYAGE DE L'EXTERIEUR DU GRILL

Pour maintenir un aspect extérieur optimal de votre grill, suivez les conseils ci-après pour un nettoyage en toute sécurité.

**⚠ MISE EN GARDE : Eteignez votre grill à gaz WEBER puis laissez-le refroidir avant de le nettoyer.**

#### Surfaces peintes, émaillées et en plastique

Utilisez une solution d'eau savonneuse tiède pour nettoyer les surfaces extérieures ; ensuite, rincez à l'eau.

**IMPORTANT : N'utilisez pas de détergents contenant de l'acide, des alcools minéraux ou du xylène. N'utilisez pas de nettoyant pour four, de nettoyants abrasifs (détergents pour cuisine), de nettoyants qui contiennent des produits à base d'agrumes ou de tampons à récurer abrasifs sur les surfaces du grill ou du chariot.**

Les tablettes rabattables ne doivent pas être utilisées en tant que planches à découper.

### NETTOYAGE DE L'INTERIEUR DU GRILL

Pour maintenir votre grill en état de fonctionnement sûr et efficace, il est important de retirer la totalité des débris et des accumulations de matières grasses susceptibles de se trouver à l'intérieur du grill. Utilisez les recommandations suivantes pour un nettoyage en toute sécurité.

#### Intérieur du couvercle

La graisse accumulée, se détache en flocons et cela ressemble à de la peinture qui s'écaille. Essuyez l'intérieur du couvercle à l'aide d'une serviette en papier afin d'empêcher toute accumulation de matière grasse. Lavez l'intérieur du couvercle à l'aide d'une solution d'eau savonneuse puis rincez à l'eau claire.

#### Composants du boîtier de cuisson & tubes du brûleur

Il vous faudra : Une brosse souple en acier inoxydable, et un grattoir en plastique rigide.

A) Grattez et brossez les grilles de cuisson à l'aide du grattoir et de la brosse. Retirez les grilles de cuisson et mettez-les de côté.

**⚠ ATTENTION : Les brosses du grill devraient être vérifiées régulièrement afin de détecter les brins qui se détachent et l'usure excessive. Remplacez la brosse si des brins se détachent ou si vous en trouvez sur les grilles de cuisson. WEBER recommande d'acheter une brosse pour grill en acier inoxydable neuve au début de chaque printemps.**

**⚠ ATTENTION : Ne nettoyez pas les grilles de cuisson dans un four auto-nettoyant.**

- B) Brossez tous les débris afin de les faire sortir des tubes du brûleur. N'élargissez pas les ports du brûleur (ouvertures) le long du tube du brûleur (1).
- C) Une fois le nettoyage terminé, remettez les grilles de cuisson en place.

#### Boîtier de cuisson

Lavez l'intérieur du boîtier de cuisson à l'aide d'une solution d'eau savonneuse puis rincez à l'eau claire.

#### Bac de récupération des graisses amovible et égouttoir jetable

Votre grill a été conçu à la conception d'un dispositif de récupération des matières grasses, qui canalise la graisse afin de l'éloigner des aliments, vers un bac de récupération amovible. Pour que cela soit plus pratique encore, vous pouvez également recouvrir le bac de récupération amovible d'un égouttoir jetable WEBER, ce qui contribuera à maintenir plus longtemps la propreté du bac de récupération des graisses amovible.

Le nettoyage du bac de récupération des graisses amovible est tout aussi important que le nettoyage du boîtier de cuisson. Vérifiez le bac de récupération des graisses amovible afin de détecter toute accumulation de matière grasse à chaque fois que vous utilisez votre grill. Retirez tout excès de matière grasse à l'aide d'un grattoir en plastique (2). Lavez l'égouttoir jetable à l'aide d'une solution d'eau savonneuse puis rincez à l'eau claire.

**⚠ AVERTISSEMENT : Faire preuve de prudence, retirer avec précaution le bac de récupération et se débarrasser des graisses chaudes.**

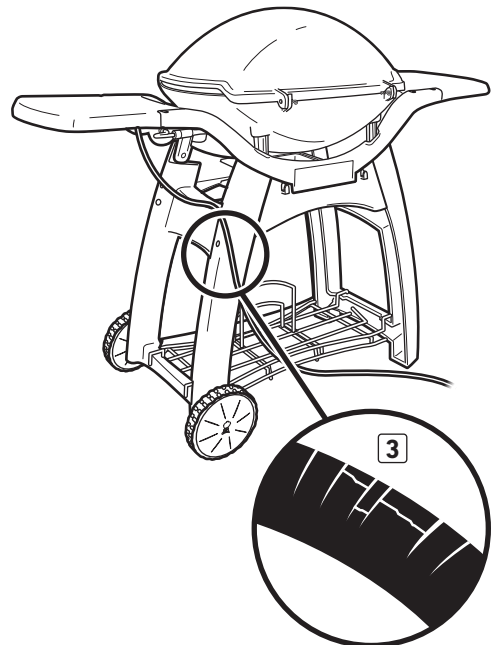
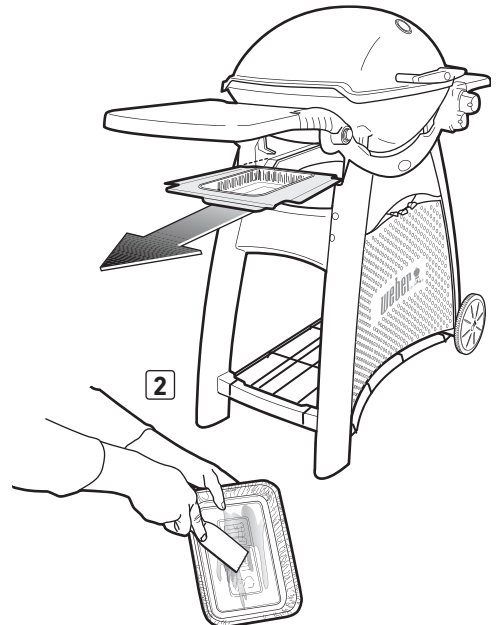
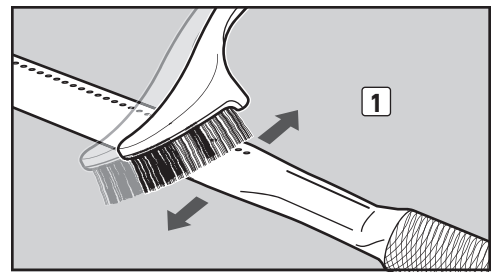
**⚠ MISE EN GARDE : Vérifiez l'égouttoir jetable ou le bac de récupération des graisses amovible afin de détecter toute accumulation de matière grasse avant chaque utilisation. Retirez tout excès de matière grasse afin d'éviter un embrasement de la matière grasse. Un feu de matière grasse risquerait de provoquer des blessures graves ainsi que des dégâts matériels.**

**⚠ ATTENTION : Ne recouvrez pas le boîtier de cuisson, l'égouttoir jetable ni le bac de récupération des graisses amovible avec du papier aluminium.**

#### INSPECTION DU TUYAU

Le tuyau devrait être régulièrement inspecté afin de détecter tout signe de fissure (3).

**⚠ MISE EN GARDE : Vérifiez le tuyau avant chaque utilisation du grill afin de détecter les entailles, les fissures, les abrasions ou les coupures. Si le tuyau s'avère détérioré de quelque manière que ce soit, n'utilisez pas le grill. Remplacez le tuyau en utilisant uniquement un tuyau de rechange agréé par WEBER. Contactez le Représentant du Service clientèle le plus proche à l'aide des coordonnées à votre disposition sur notre site Internet. Connectez-vous sur [www.weber.com](http://www.weber.com).**



**Pour obtenir des égouttoirs jetables de rechange et des grilles de cuisson, veuillez contacter le revendeur le plus proche ou connectez-vous sur [www.weber.com](http://www.weber.com). Si vous avez besoin de davantage d'assistance, veuillez contacter notre Représentant du Service clientèle.**

## UTILISATION DU DISPOSITIF D'ALLUMAGE

L'allumeur envoie une étincelle vers l'assemblage de l'électrode de l'allumeur. Que vous soyez en train d'effectuer une maintenance de routine ou un contrôle dans le cadre d'un dépannage du dispositif d'allumage, lisez ce qui suit afin de maintenir votre dispositif d'allumage en bon état de fonctionnement.

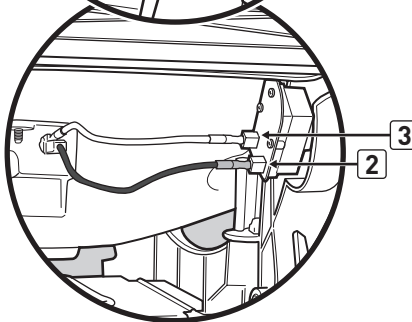
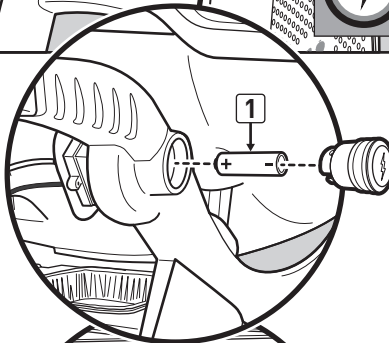
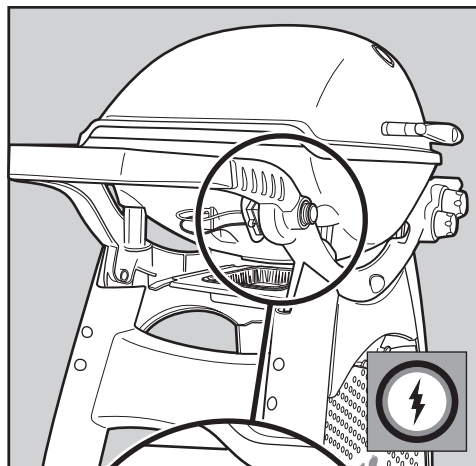
**⚠ MISE EN GARDE : La totalité des commandes du gaz et des valves d'alimentation devrait être en position d'arrêt (OFF).**

Si l'allumeur n'allume pas votre Q grill, vous devrez localiser où le problème se produit : au niveau de la circulation du gaz ou au niveau du dispositif d'allumage. Commencez par essayer d'allumer votre brûleur à l'aide d'une allumette. Voir "ALLUMAGE DU BRÛLEUR—Allumage à l'aide d'une allumette." Si l'allumage à l'aide d'une allumette réussit, cela signifie que le problème se situe au niveau du dispositif d'allumage.

## MAINTENANCE DU DISPOSITIF D'ALLUMAGE ELECTRONIQUE

- Vérifiez que la pile AAA (alcaline uniquement) est en bon état et qu'elle est correctement installée (1). Certaines piles sont couvertes par un emballage plastique de protection. Ce plastique doit être retiré avant d'installer la pile. Ne confondez pas ce plastique avec l'étiquette de la pile.
- Assurez-vous que les deux câbles de l'allumeur sont reliés correctement au module de l'allumeur. Le câble noir sur le terminal noir (2), le câble blanc sur le terminal blanc (3).
- Assurez-vous que le bouton de l'allumeur électronique fonctionne en écoutant si un déclic est émis et en regardant si des étincelles se forment au niveau du brûleur.

**Si le dispositif d'allumage électronique n'allume toujours pas le brûleur, veuillez contacter le Représentant du Service clientèle le plus proche à l'aide des coordonnées à votre disposition sur notre site Internet. Connectez-vous sur [www.weber.com](http://www.weber.com).**







**⚠ ATTENTION: This product has been safety tested and is only certified for use in a specific country. Refer to country designation located on outer carton.**

These parts may be gas carrying or gas burning components. Please contact Weber-Stephen Products LLC, Customer Service Department for genuine Weber-Stephen Products LLC replacement part(s) information.

**⚠ WARNING: Do not attempt to make any repair to gas carrying, gas burning, igniter components or structural components without contacting Weber-Stephen Products LLC, Customer Service Department. Your actions, if you fail to follow this Product Warning, may cause a fire, an explosion, or structural failure resulting in serious personal injury or death as well as damage to property.**

**⚠ ATENCIÓN: A este producto se le han realizado pruebas de seguridad y ha sido certificado para usarse en un país específico. Refiérase al país indicado en la parte externa del cartón de empaque.**

Estas partes pueden ser componentes que transporten gas o lo quemen. Por favor póngase en contacto con el Departamento de Atención al Cliente de Weber-Stephen Products LLC para obtener información sobre las partes de repuesto Weber-Stephen Products LLC genuinas.

**⚠ ADVERTENCIA: No trate de realizar reparación alguna a los componentes que transporten o quemen gas sin antes ponerse en contacto con el Departamento de Atención al Cliente de Weber-Stephen Products LLC. Si no llegase a acatar esta advertencia, sus acciones podrían causar un fuego o una explosión que resulte en lesiones personales serias o la muerte o daños a la propiedad.**

**⚠ ATTENTION : Ce produit a fait l'objet de tests de sécurité et est certifié pour une utilisation dans un pays particulier uniquement. Vérifiez la désignation de pays située sur le carton d'emballage.**

Ces pièces peuvent contenir du gaz ou être des éléments dont la combustion produit du gaz. Veuillez consulter le Service clientèle de Weber-Stephen Products LLC pour des renseignements sur les pièces de rechange originales de Weber-Stephen Products LLC.

**⚠ MISE EN GARDE : Ne tentez pas d'effectuer des réparations sur des éléments contenant du gaz ou sur des éléments dont la combustion produit du gaz sans contacter le service clientèle de Weber-Stephen Products LLC. Si vous ne suivez pas la présente Mise en garde relative au produit, vos actions risquent de provoquer un incendie ou une explosion entraînant des blessures physiques graves voire un décès ainsi que des dégâts matériels.**



Weber-Stephen Products LLC  
[www.weber.com](http://www.weber.com)