



# Summit Kamado E6



Do not discard. This owner's guide contains important product dangers, warnings, and cautions. For assembly instructions, refer to the assembly guide. Do not use the barbecue indoors! Visit [weber.com](http://weber.com), select your country of origin, and register your barbecue today.

**53240**

US/esMX/frCA

11/05/20



# SAFETY

**Failure to follow the DANGERS, WARNINGS, and CAUTIONS contained in this owner's guide may result in serious bodily injury or death, or may result in a fire or an explosion causing damage to property.**

**DANGER:**

Indicates a hazardous situation which, if not avoided, will result in death or serious injury.

- ⚠ Only use the grill outdoors in a well-ventilated area. Do not use in a garage, building, breezeway, tent, any other enclosed area, or beneath overhead combustible construction.
- ⚠ The grill is not intended for and should never be used as a heater.
- ⚠ Keep the cooking area clear of flammable vapors and liquids such as gasoline, alcohol, etc., and combustible materials.
- ⚠ Do not use gasoline, alcohol, or other highly volatile fluids to ignite charcoal. If using charcoal starter fluid (not recommended), remove any fluid that may have drained through the bowl vents before lighting the charcoal.
- ⚠ Do not add charcoal starter fluid or charcoal impregnated with charcoal lighter fluid to hot or warm charcoal. Cap starter fluid after use, and place a safe distance away from the grill.
- ⚠ Should a grease fire occur, leave grill lid closed until fire is out.
- ⚠ The grill should never be used by children. Accessible parts of the grill may be very hot. Keep children and pets away while the grill is in use.
- ⚠ Do not put a grill cover or anything flammable on, or in the storage area under the grill, while grill is in operation or is hot.

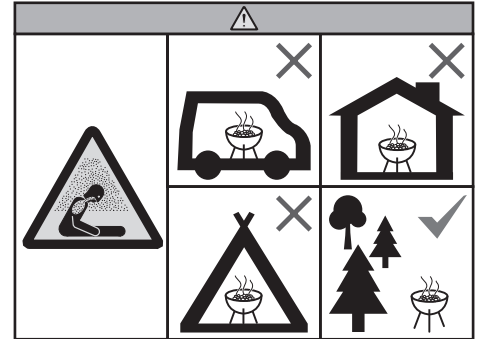
**WARNING:**

Indicates a hazardous situation which, if not avoided, could result in death or serious injury.

- ⚠ The grill should never be left unattended or moved while in operation.
- ⚠ Do not use the grill unless all parts are in place. Grill must be properly assembled according to the assembly instructions. Improper assembly may be dangerous.
- ⚠ Do not build this model of grill in any built-in or slide-in construction.
- ⚠ Never use grill without the ash catcher installed.

- ⚠ Never lean over an open grill while igniting or cooking.
- ⚠ Use heat-resistant barbecue mitts or gloves at all times when operating the grill.
- ⚠ Use proper tools, with long, heat-resistant handles.
- ⚠ Exercise caution when operating your grill. It will be hot during cooking or cleaning, and should never be left unattended.
- ⚠ This grill will become very hot, do not move it during operation.
- ⚠ Do not place hands or fingers on the front edge of the bowl while the grill is hot or the lid is open.
- ⚠ The use of alcohol, prescription drugs, non-prescription drugs, or illegal drugs may impair the consumer's ability to properly and safely assemble, move, store, or operate the grill.
- ⚠ Always put charcoal on top of the fuel grate. Do not put charcoal directly in the bottom of the bowl or on the diffuser plate.
- ⚠ The grill should be thoroughly cleaned on a regular basis.
- ⚠ Never dump hot charcoal where it might be stepped on or be a fire hazard. Never dump ashes or charcoal before they are fully extinguished.
- ⚠ When cooking, the grill must be on a level, stable surface in an area clear of combustible material.
- ⚠ Grill brushes should be checked for loose bristles and excessive wear on a regular basis. Replace brush if any loose bristles are found on cooking grate or brush. WEBER recommends purchasing a new stainless steel bristle grill brush at the beginning of every spring.
- ⚠ Do not wear clothing with loose flowing sleeves while lighting or using the grill.
- ⚠ Never touch the cooking or fuel grate, diffuser plate, ashes, charcoal, or the grill to see if they are hot.
- ⚠ This WEBER grill is not intended to be installed in or on recreational vehicles and/or boats.
- ⚠ Do not use lighter fluid, gasoline, alcohol, or other highly volatile fluids to ignite or reignite charcoal.

⚠ **WARNING!** Do not use the grill in a confined and/or habitable space e.g. houses, tents, caravans, motor homes, boats. Danger of carbon monoxide poisoning fatality.



**CAUTION:**

Indicates a hazardous situation which, if not avoided, could result in minor or moderate injury.

- ⚠ Do not remove ashes until all charcoal is completely burned out and fully extinguished and grill is cool.
- ⚠ Lining the bowl with aluminum foil will obstruct the air flow. Instead, use a drip pan to catch drippings from meat when cooking using the indirect method or smoking.
- ⚠ Do not store grill until ashes and charcoal are fully extinguished.
- ⚠ The grill is not intended for commercial use.
- ⚠ Do not use water to control flare-ups or to extinguish charcoal.
- ⚠ Do not use grill in high winds.
- ⚠ Extinguish charcoal when finished cooking. To extinguish, close bowl vent, lid and RAPIDFIRE lid damper.

**CALIFORNIA PROPOSITION 65**

- ⚠ **WARNING:** Combustion byproducts produced when using this product contain chemicals known to the state of California to cause cancer, birth defects, or other reproductive harm.
- ⚠ **PROPOSITION 65 WARNING:** Handling the brass material on this product exposes you to lead, a chemical known to the state of California to cause cancer, birth defects, or other reproductive harm. *Wash hands after handling this product.*



# WARRANTY

ES 25

FC 39

Thank you for purchasing a WEBER product. Weber-Stephen Products LLC, 1415 S. Roselle Road, Palatine, Illinois 60067 ("WEBER") prides itself on delivering a safe, durable, and reliable product.

This is WEBER's Voluntary Warranty provided to you at no extra charge. It contains the information you will need to have your WEBER product repaired in the unlikely event of a failure or defect.

**Pursuant to applicable laws, the customer has several rights in case the product is defective. Those rights include supplementary performance or replacement, abatement of the purchasing price, and compensation. In the European Union, for example, this would be a two-year statutory warranty starting on the date of the handover of the product. These and other statutory rights remain unaffected by this warranty provision. In fact, this warranty grants additional rights to the Owner that are independent from statutory warranty provisions.**

#### WEBER'S VOLUNTARY WARRANTY

WEBER warrants, to the purchaser of the WEBER product (or in the case of a gift or promotional situation, the person for whom it was purchased as a gift or promotional item), that the WEBER product is free from defects in material and workmanship for the period(s) of time specified below when assembled and operated in accordance with the accompanying Owner's Manual. (Note: If you lose or misplace your WEBER Owner's Manual, a replacement is available online at [www.weber.com](http://www.weber.com), or such country-specific website to which Owner may be redirected.) Under normal, private single family home or apartment use and maintenance, WEBER agrees within the framework of this warranty to repair or replace defective parts within the applicable time periods, limitations, and exclusions listed below. TO THE EXTENT ALLOWABLE BY APPLICABLE LAW, THIS WARRANTY IS EXTENDED ONLY TO THE ORIGINAL PURCHASER AND IS NOT TRANSFERABLE TO SUBSEQUENT OWNERS, EXCEPT IN THE CASE OF GIFTS AND PROMOTIONAL ITEMS AS NOTED ABOVE.

#### OWNER'S RESPONSIBILITIES UNDER THIS WARRANTY

To ensure trouble-free warranty coverage, it is important (but it is not required) that you register your WEBER product online at [www.weber.com](http://www.weber.com), or such country-specific website to which Owner may be redirected. Please also retain your original sales receipt and/or invoice. Registering your WEBER product confirms your warranty coverage and provides a direct link between you and WEBER in case we need to contact you.

The above warranty only applies if the Owner takes reasonable care of the WEBER product by following all assembly instructions, usage instructions, and preventative maintenance as outlined in the accompanying Owner's Manual, unless the Owner can prove that the defect or failure is independent of non-compliance with the above mentioned obligations. If you live in a coastal area, or have your product located near a pool, maintenance includes regular washing and rinsing of the exterior surfaces as outlined in the accompanying Owner's Manual.

#### WARRANTY HANDLING / EXCLUSION OF WARRANTY

If you believe that you have a part which is covered by this Warranty, please contact WEBER Customer Service using the contact information on our website ([www.weber.com](http://www.weber.com), or such country-specific website to which Owner may be redirected). WEBER will, upon investigation, repair or replace (at its option) a defective part that is covered by this Warranty. In the event that repair or replacement are not possible, WEBER may choose (at its option) to replace the grill in question with a new grill of equal or greater value. WEBER may ask you to return parts for inspection, shipping charges to be pre-paid.

This WARRANTY lapses if there are damages, deteriorations, discolorations, and/or rust for which WEBER is not responsible caused by:

- Abuse, misuse, alteration, modification, misapplication, vandalism, neglect, improper assembly or installation, and failure to properly perform normal and routine maintenance;
- Insects and rodents;
- Exposure to salt air and/or chlorine sources such as swimming pools and hot tubs/spas;
- Severe weather conditions such as hail, hurricanes, earthquakes, tsunamis or surges, tornadoes or severe storms.

The use and/or installation of parts on your WEBER product that are not genuine WEBER parts will void this Warranty, and any damages that result hereby are not covered by this Warranty. Any conversion of a gas grill not authorized by WEBER and performed by a WEBER authorized service technician will void this Warranty.

#### PRODUCT WARRANTY PERIODS

Bowl, lid, and center ring:  
10 years, rust through/burn through

ONE-TOUCH cleaning system:  
5 years, rust through/burn through

Plastic components:  
5 years, excluding fading or discoloration

All remaining parts:  
2 years

#### DISCLAIMERS

APART FROM THE WARRANTY AND DISCLAIMERS AS DESCRIBED IN THIS WARRANTY STATEMENT, THERE ARE EXPLICITLY NO FURTHER WARRANTY OR VOLUNTARY DECLARATIONS OF LIABILITY GIVEN HERE WHICH GO BEYOND THE STATUTORY LIABILITY APPLYING TO WEBER. THE PRESENT WARRANTY STATEMENT ALSO DOES NOT LIMIT OR EXCLUDE SITUATIONS OR CLAIMS WHERE WEBER HAS MANDATORY LIABILITY AS PRESCRIBED BY STATUTE.

NO WARRANTIES SHALL APPLY AFTER THE APPLICABLE PERIODS OF THIS WARRANTY. NO OTHER WARRANTIES GIVEN BY ANY PERSON, INCLUDING A DEALER OR RETAILER, WITH RESPECT TO ANY PRODUCT (SUCH AS ANY "EXTENDED WARRANTIES"), SHALL BIND WEBER. THE EXCLUSIVE REMEDY OF THIS WARRANTY IS REPAIR OR REPLACEMENT OF THE PART OR PRODUCT.

IN NO EVENT UNDER THIS VOLUNTARY WARRANTY SHALL RECOVERY OF ANY KIND BE GREATER THAN THE AMOUNT OF THE PURCHASE PRICE OF THE WEBER PRODUCT SOLD.

YOU ASSUME THE RISK AND LIABILITY FOR LOSS, DAMAGE, OR INJURY TO YOU AND YOUR PROPERTY AND/OR TO OTHERS AND THEIR PROPERTY ARISING OUT OF THE MISUSE OR ABUSE OF THE PRODUCT OR FAILURE TO FOLLOW INSTRUCTIONS PROVIDED BY WEBER IN THE ACCOMPANYING OWNER'S MANUAL.

PARTS AND ACCESSORIES REPLACED UNDER THIS WARRANTY ARE WARRANTED ONLY FOR THE BALANCE OF THE ABOVE MENTIONED ORIGINAL WARRANTY PERIOD(S).

THIS WARRANTY APPLIES TO PRIVATE SINGLE FAMILY HOME OR APARTMENT USE ONLY AND DOES NOT APPLY TO WEBER GRILLS USED IN COMMERCIAL, COMMUNAL OR MULTI-UNIT SETTINGS SUCH AS RESTAURANTS, HOTELS, RESORTS, OR RENTAL PROPERTIES.

WEBER MAY FROM TIME TO TIME CHANGE THE DESIGN OF ITS PRODUCTS. NOTHING CONTAINED IN THIS WARRANTY SHALL BE CONSTRUED AS OBLIGATING WEBER TO INCORPORATE SUCH DESIGN CHANGES INTO PREVIOUSLY MANUFACTURED PRODUCTS, NOR SHALL SUCH CHANGES BE CONSTRUED AS AN ADMISSION THAT PREVIOUS DESIGNS WERE DEFECTIVE.

Weber-Stephen Products LLC  
Customer Service Center  
1415 S. Roselle Road  
Palatine, IL 60067  
U.S.A.

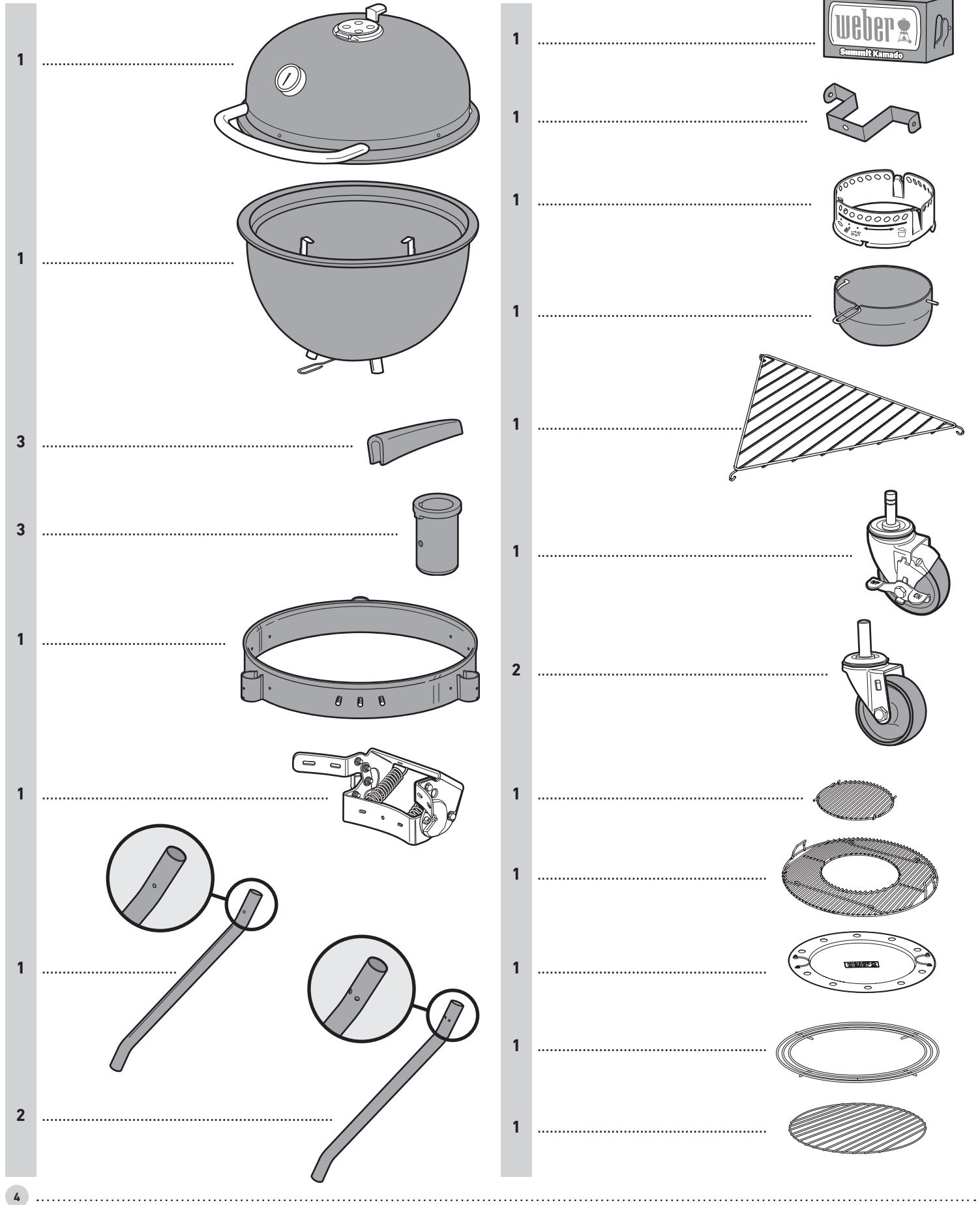
For replacement parts, call:  
1-800-446-1071

## TABLE OF CONTENTS

- 2 Safety
- 3 Warranty
- 4 Assembly
- 14 Cooking System
- 15 Features
  - Choose a Proper Location to Grill
  - Choose How Much Charcoal to Use
  - The Very First Time You Grill
  - Preparing the Grill for Lighting
- 17 Lighting Charcoal
  - Lighting the Charcoal Using a Chimney Starter
  - Lighting the Charcoal Using Lighter Cubes
  - Lighting the Charcoal Using CHAR-BASKETS
- 18 Grilling Methods
  - Direct Heat
  - Indirect Heat
  - Smoking
- 21 Tips and Tricks for Grilling Success
- 22 Maintenance
- 23 Replacement Parts

Visit [www.weber.com](http://www.weber.com), select your country of origin, and register your barbecue today.

# ASSEMBLY ARMADO ASSEMBLAGE

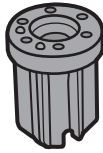


# ASSEMBLY

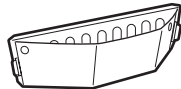
# ARMADO

# ASSEMBLAGE

3



2



1

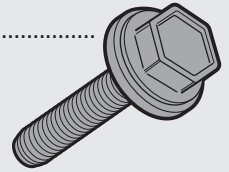


⚠ Remove protective film from stainless steel parts before installing.

⚠ Retire la película protectora de las piezas de acero inoxidable antes de la instalación del asador.

⚠ Avant de procéder à l'assemblage, retirez le film protecteur qui recouvre les pièces en acier inoxydable.

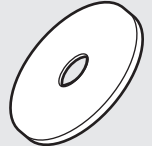
3



7



7



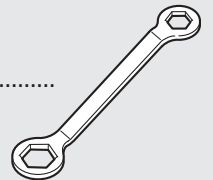
7



2



1



**US** Download the free BILT app for 3D step-by-step instructions.

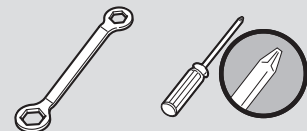
**esMX** Descargue gratis la app BILT para recibir instrucciones paso a paso en 3D.

**frCA** Téléchargez l'appli gratuite BILT qui vous expliquera le montage étape par étape en 3D.

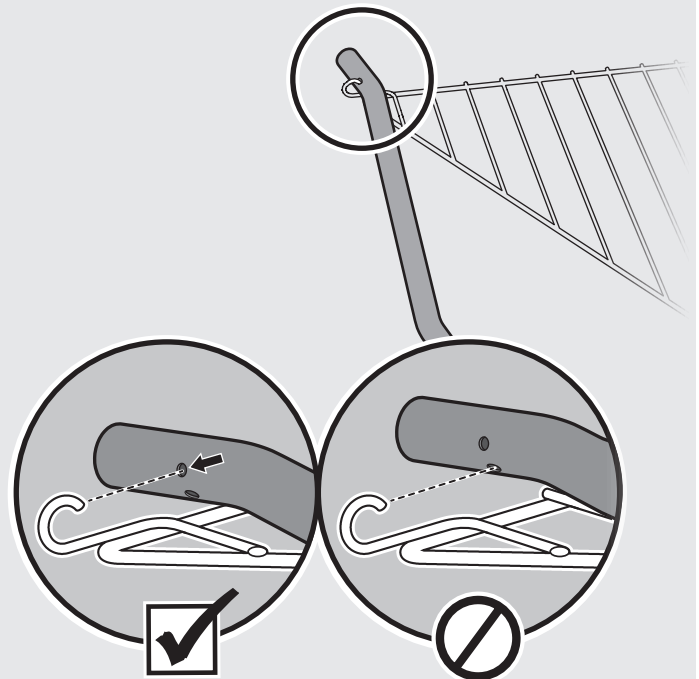
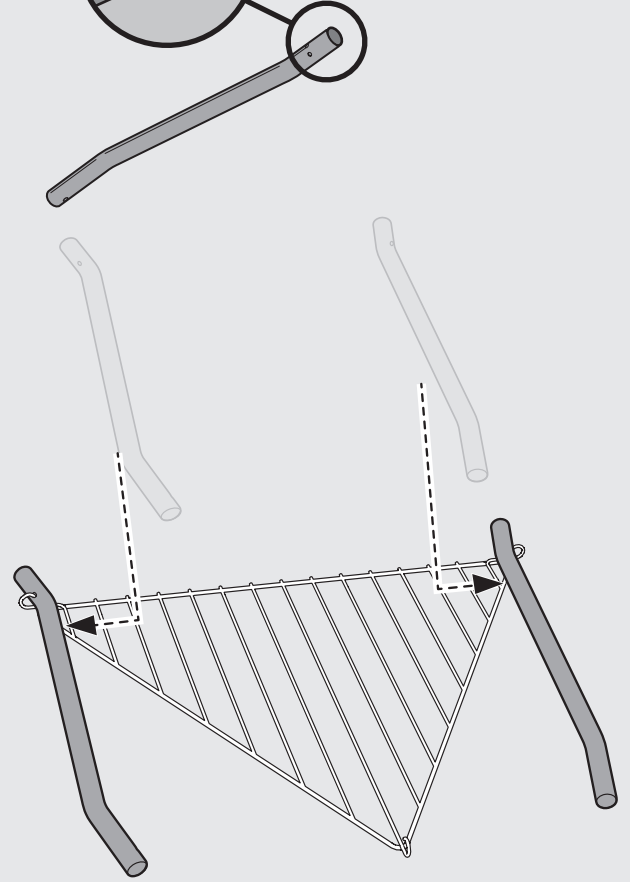
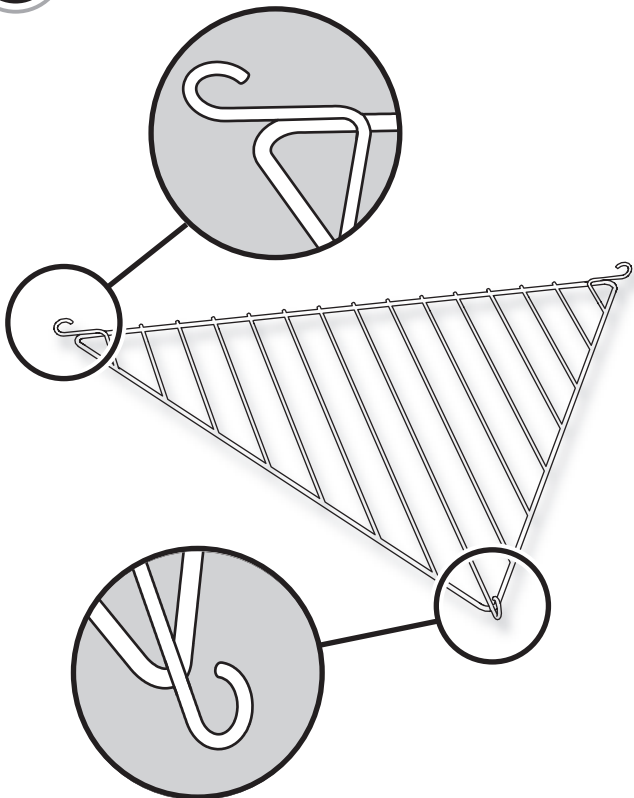
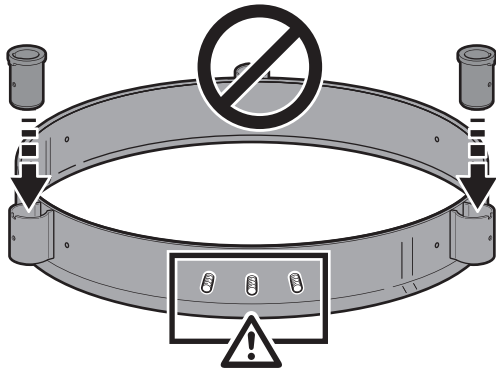
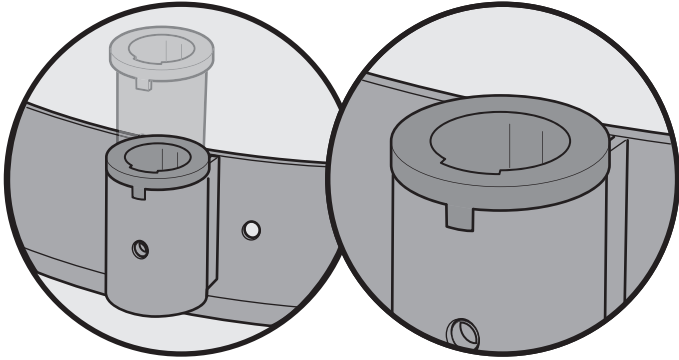
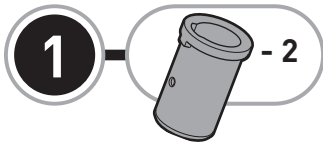
**US** TOOLS NEEDED:

**esMX** HERRAMIENTAS REQUERIDAS:

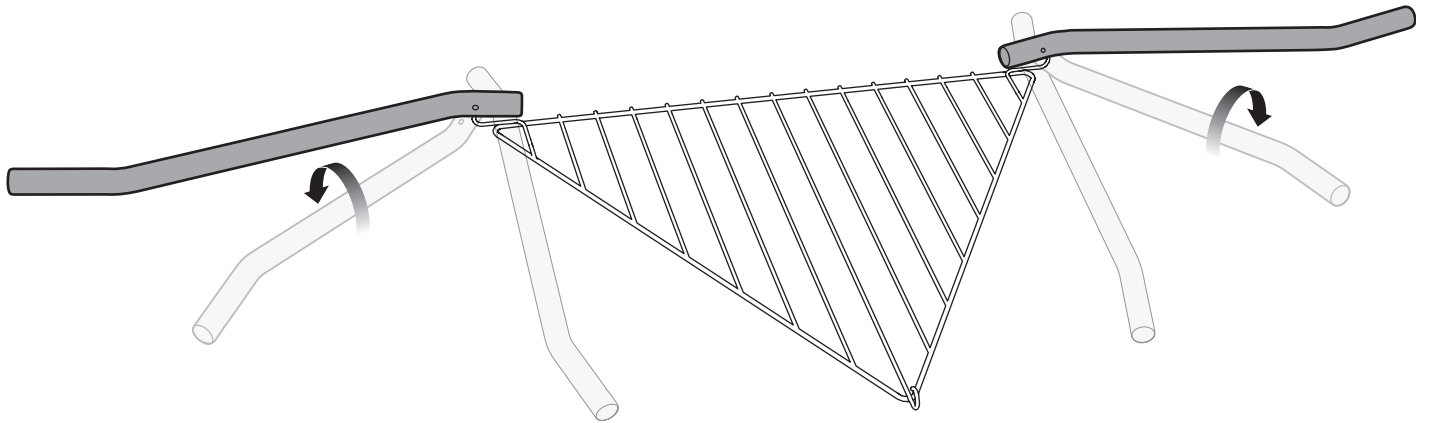
**frCA** OUTILS NECESSAIRES:



# ASSEMBLY ARMADO ASSEMBLAGE



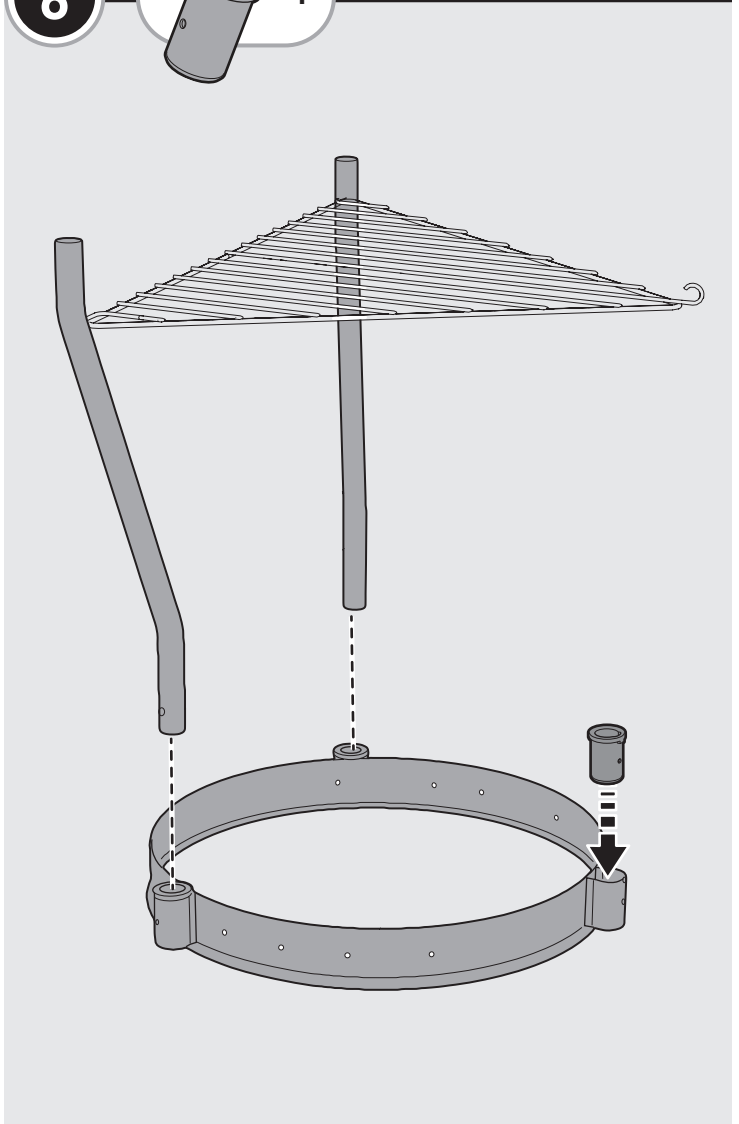
4



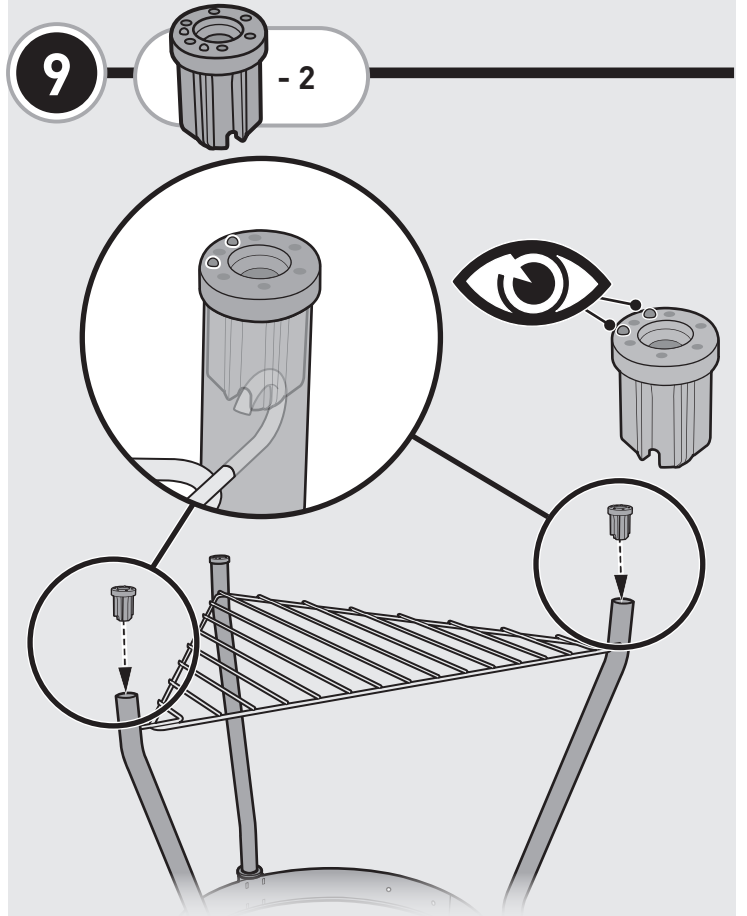
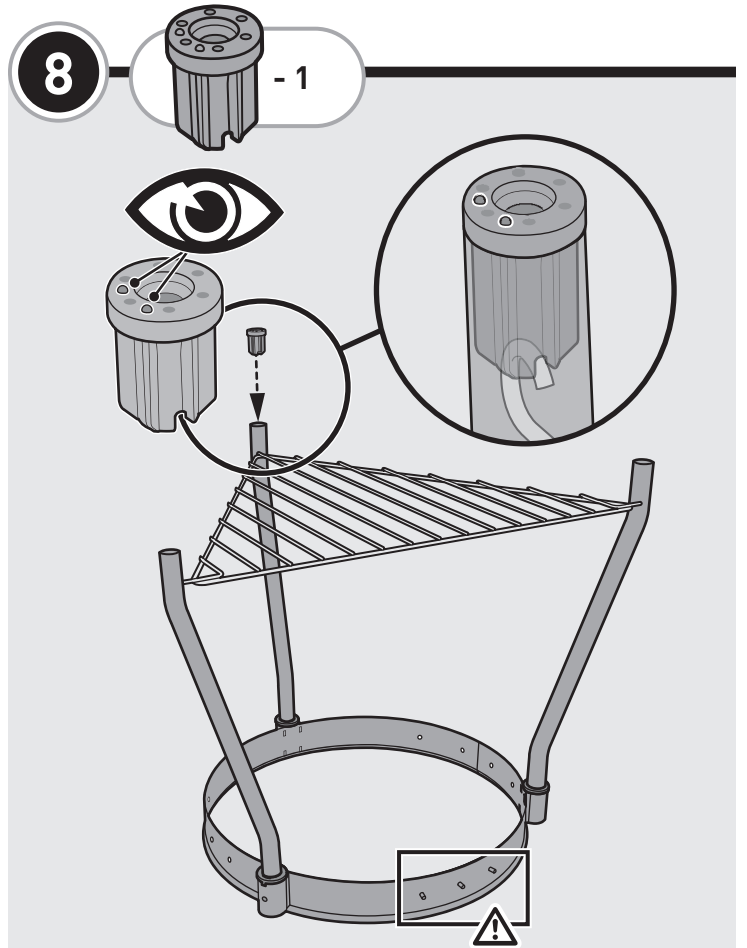
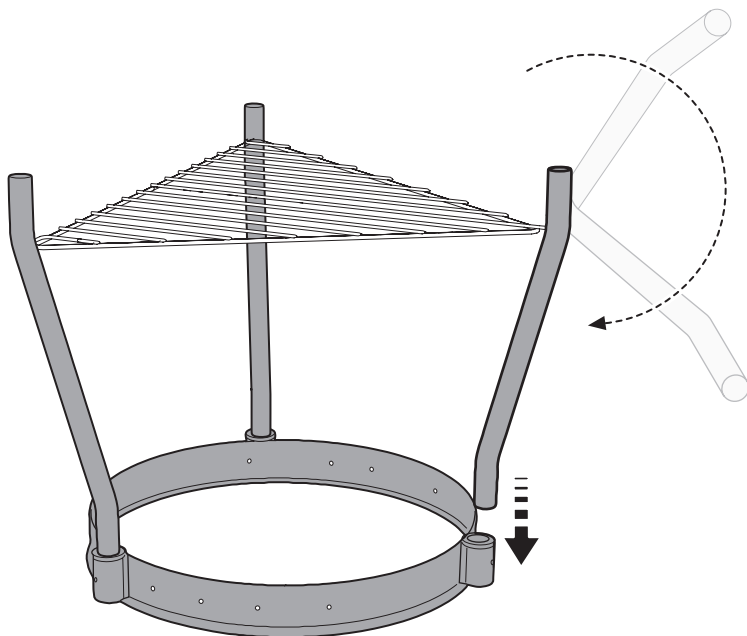
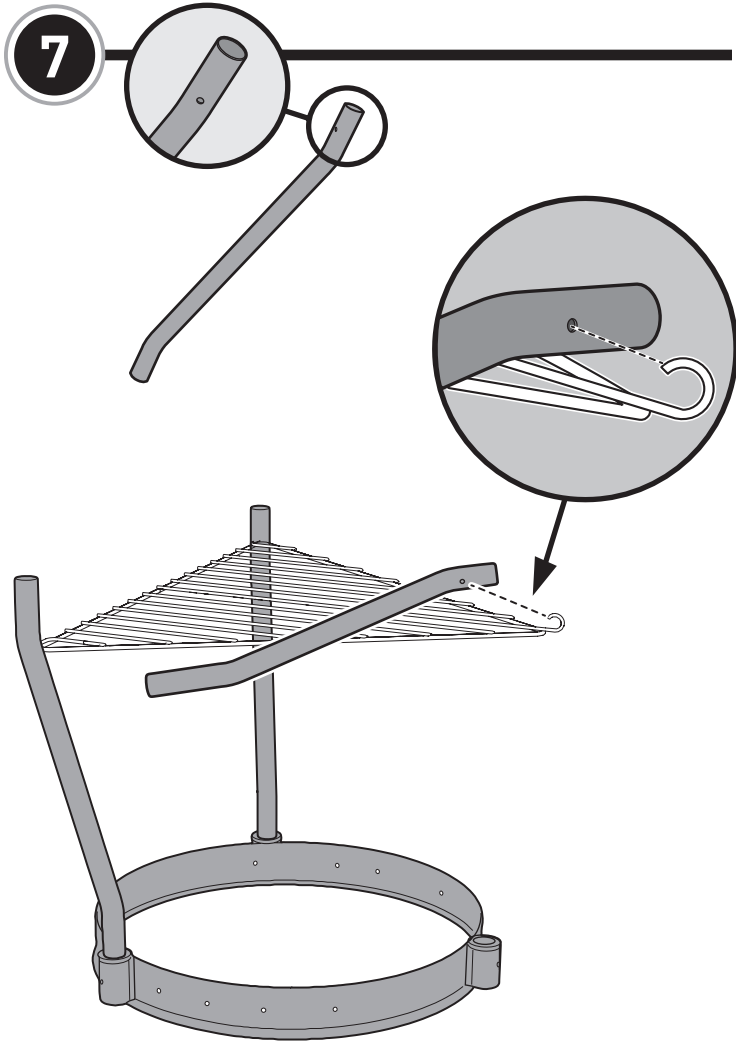
5



6



# ASSEMBLY ARMADO ASSEMBLAGE

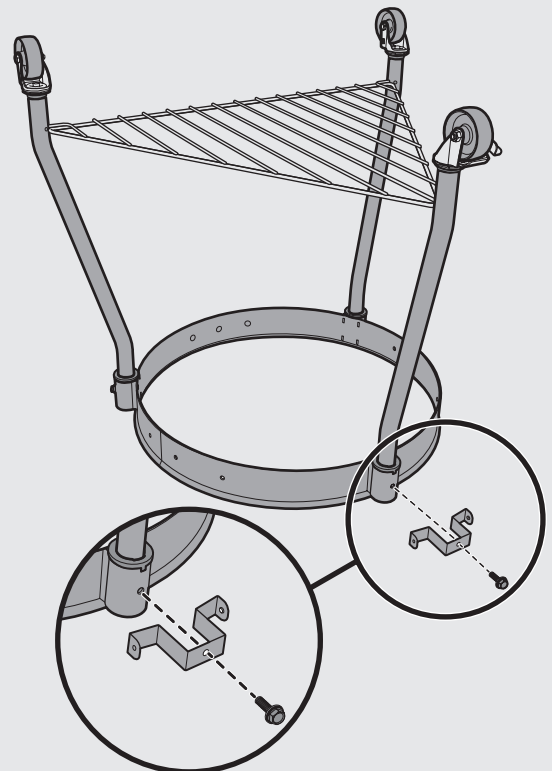
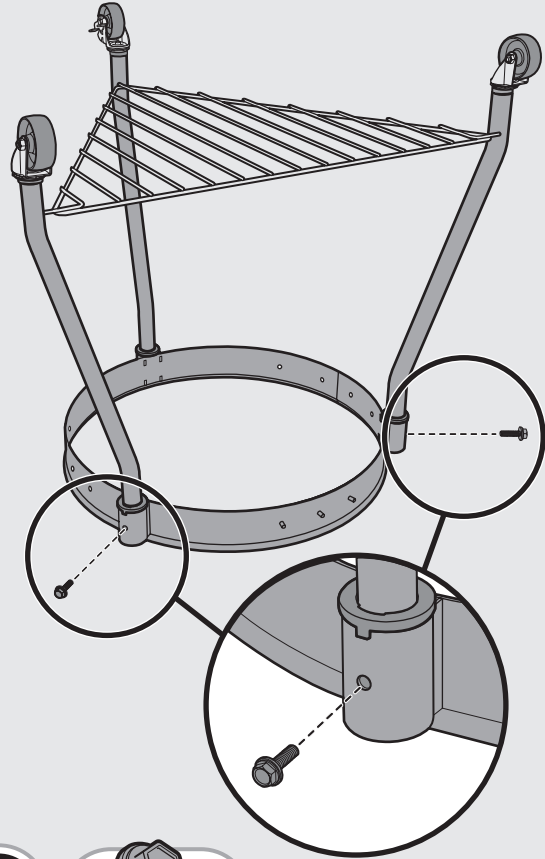
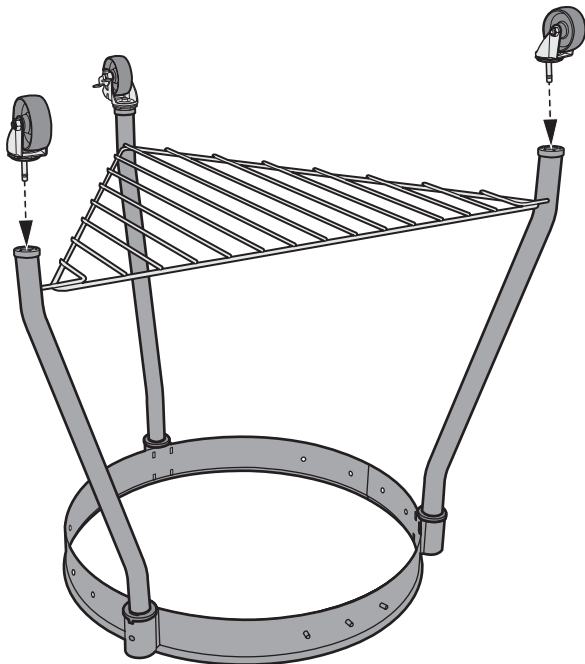
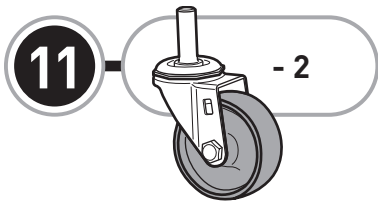
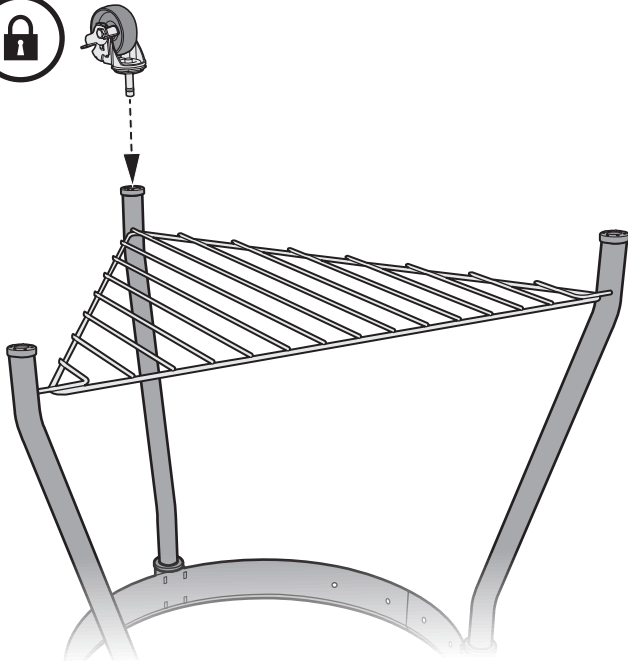
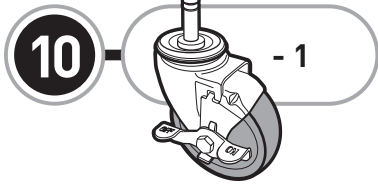




# ASSEMBLY

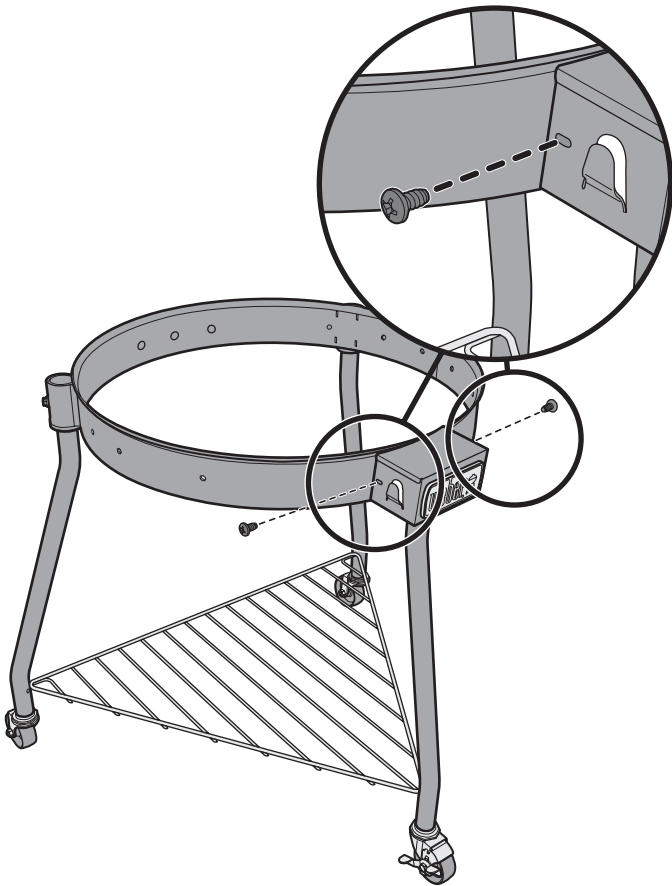
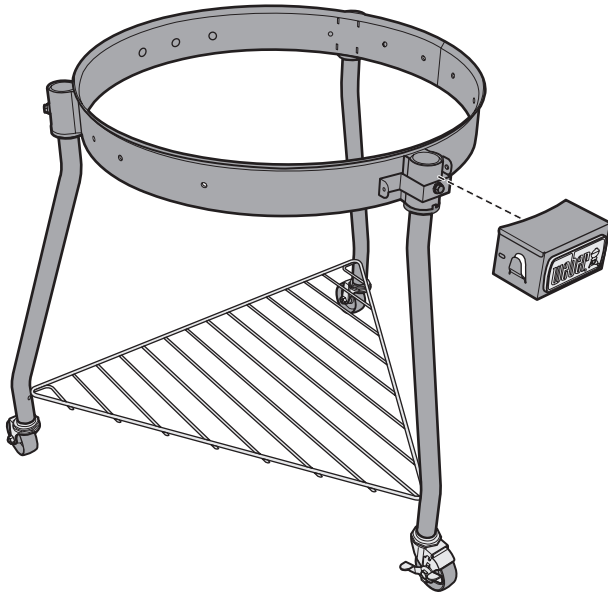
# ARMADO

# ASSEMBLAGE

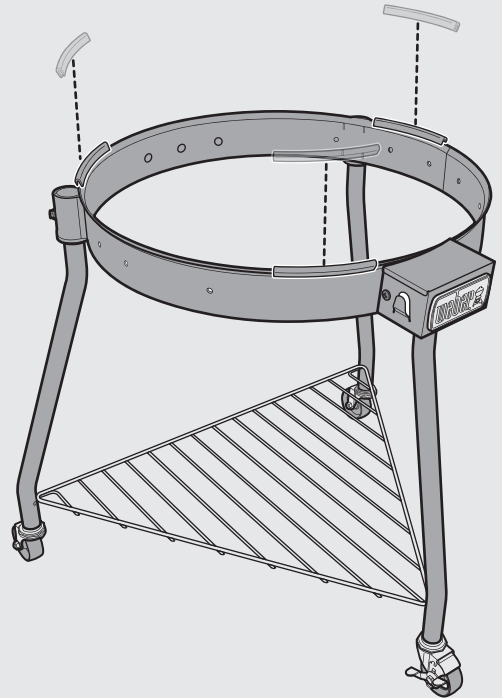
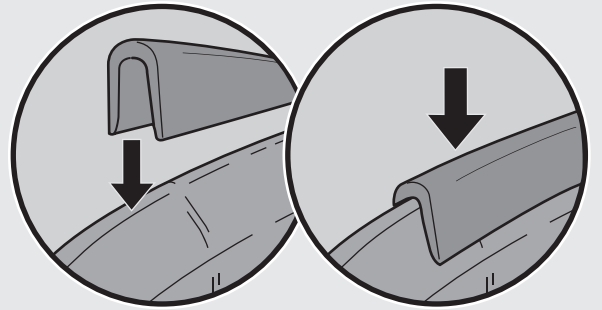
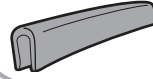


# ASSEMBLY ARMADO ASSEMBLAGE

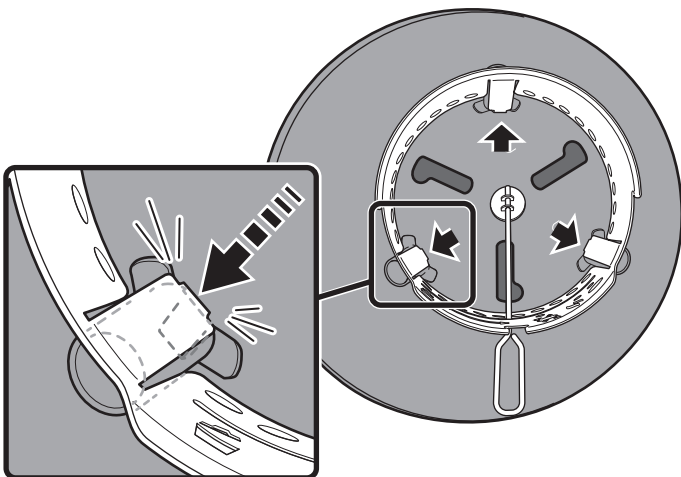
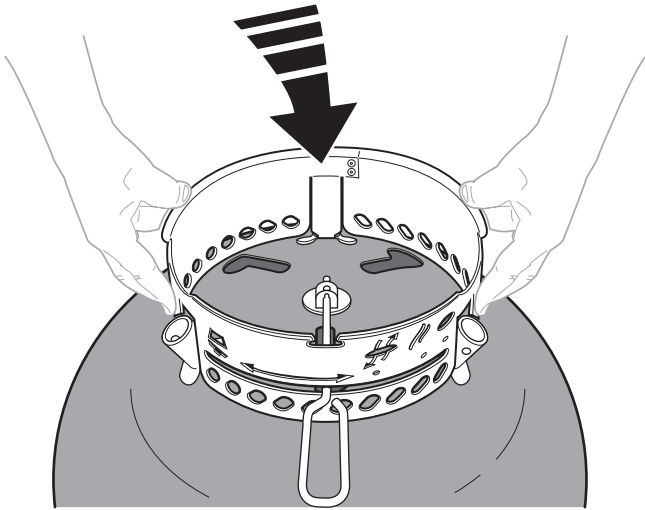
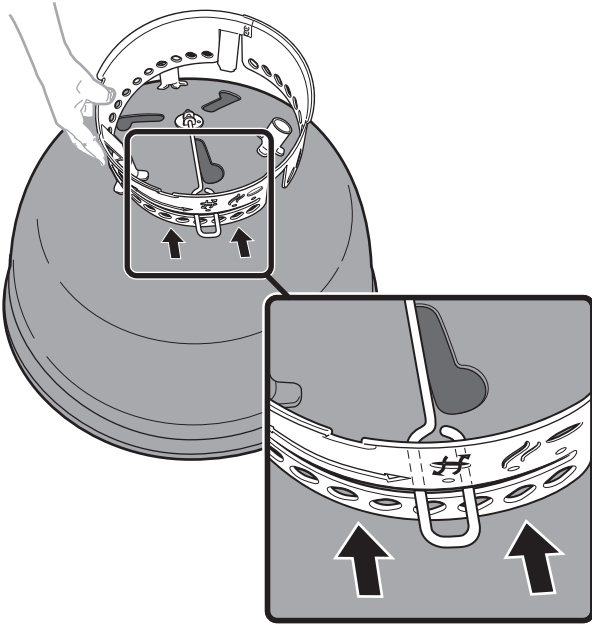
14 - 2



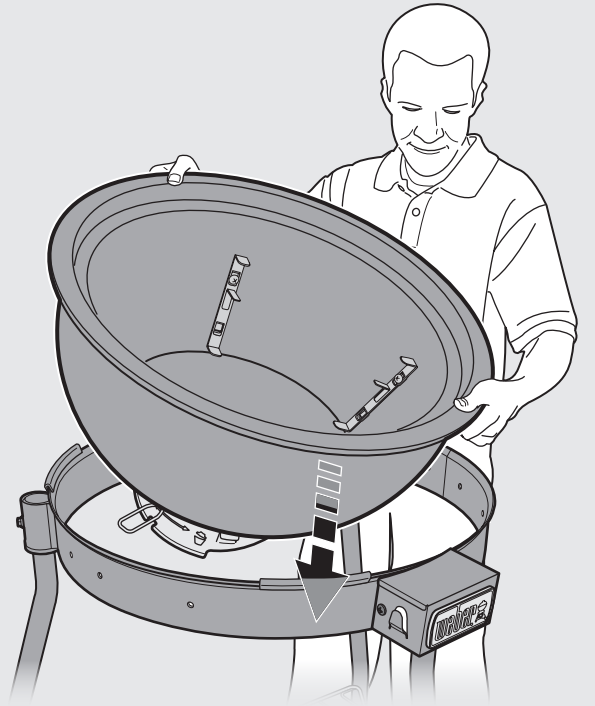
15 - 3



16



17



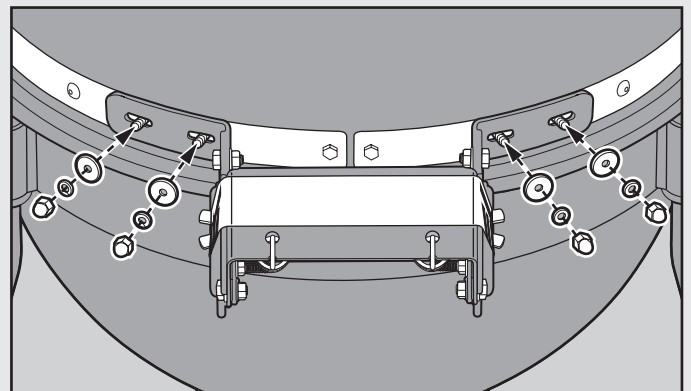
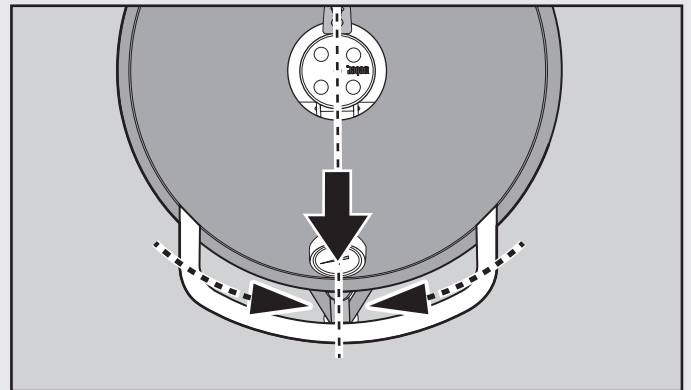
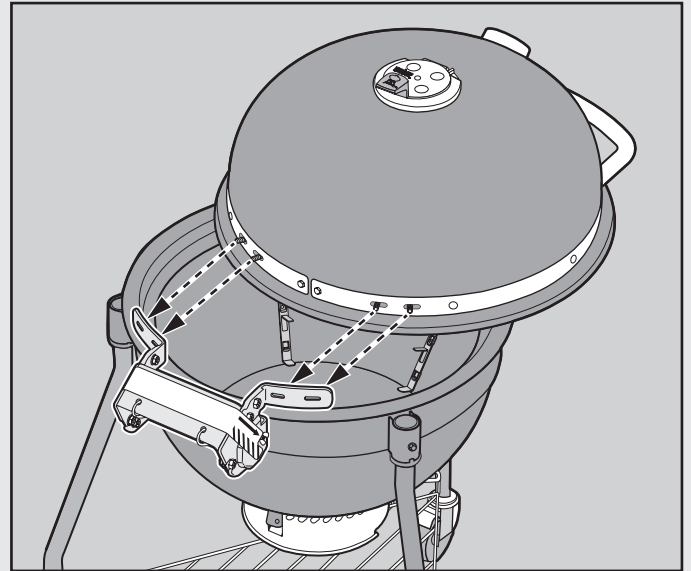
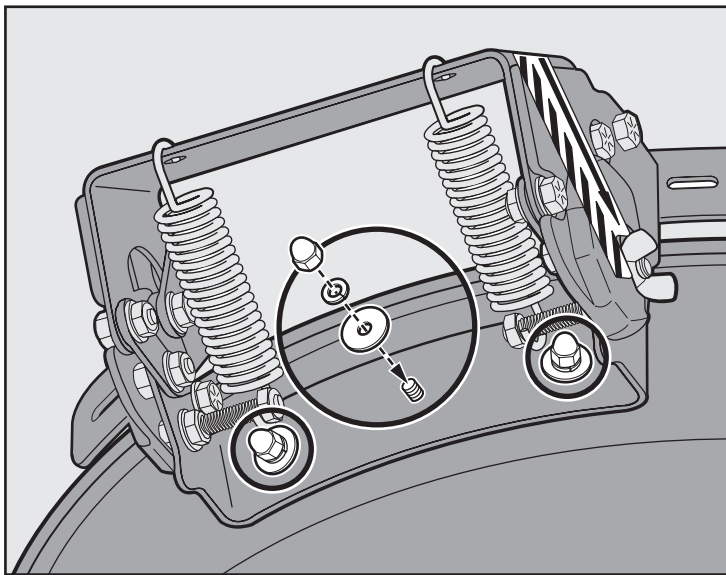
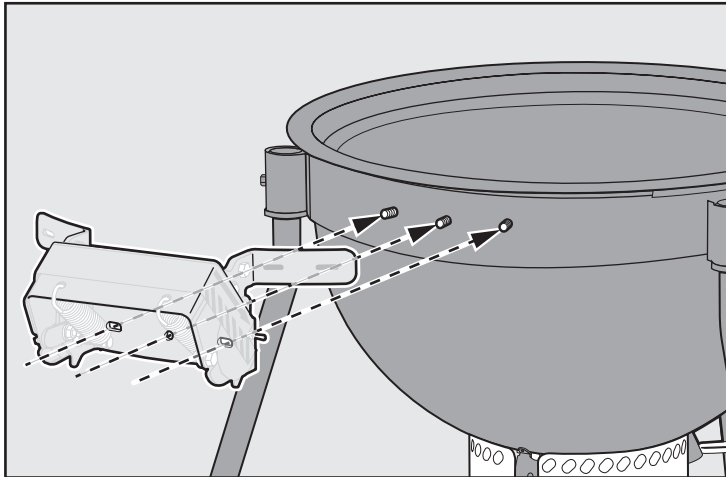
# ASSEMBLY ARMADO ASSEMBLAGE



⚠ WARNING: DO NOT REMOVE SAFETY BOLTS UNTIL LID INSTALLATION IS COMPLETE.

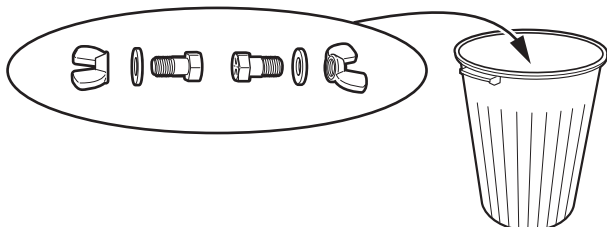
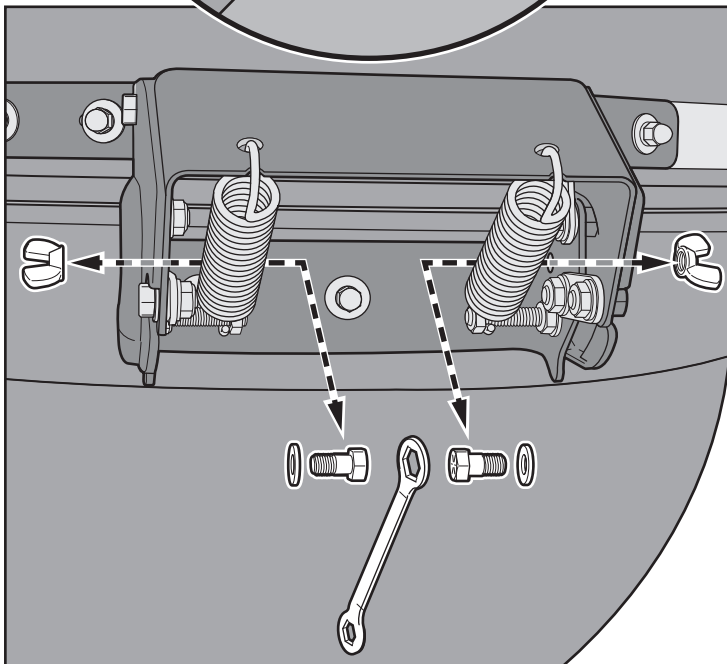
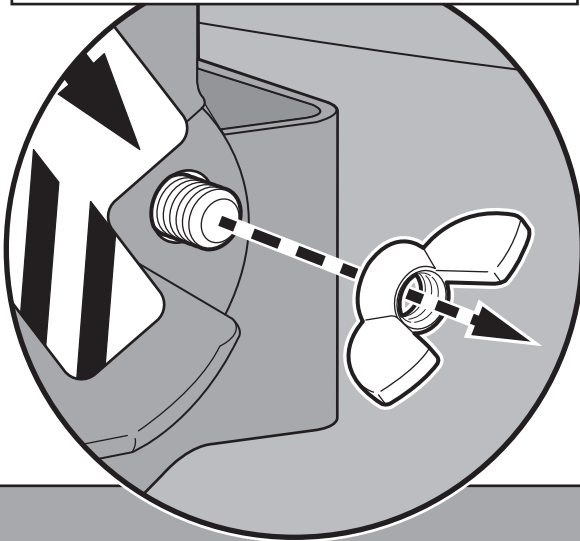
⚠ ADVERTENCIA: NO RETIRE LOS PERNOS DE SEGURIDAD HASTA QUE LA TAPA ESTÉ COMPLETAMENTE INSTALADA.

⚠ AVERTISSEMENT : NE RETIREZ PAS LES BOULONS DE SÉCURITÉ AVANT QUE LE COUVERCLE NE SOIT TOTALEMENT INSTALLÉ.

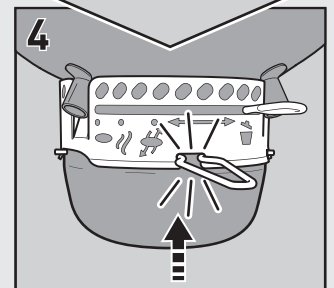
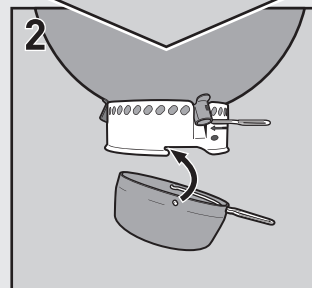
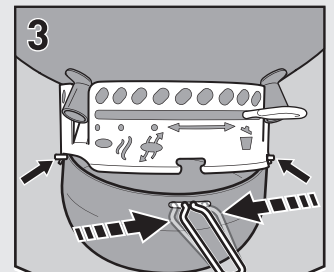
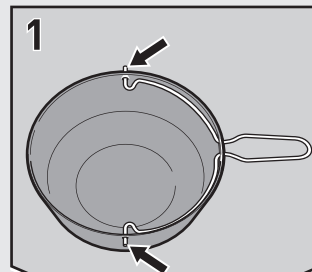
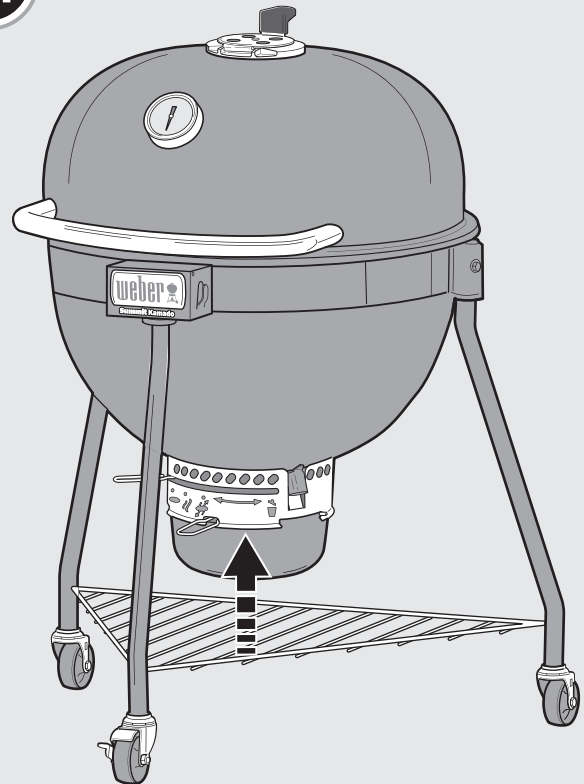


20

- ⚠ WARNING: DO NOT LIFT THE LID UNTIL THE SAFETY BOLTS ARE REMOVED.
- ⚠ ADVERTENCIA: NO LEVANTE LA TAPA SIN RETIRAR ANTES LOS PERNOS DE SEGURIDAD.
- ⚠ AVERTISSEMENT : NE SOULEVEZ PAS LE COUVERCLE AVANT QUE LES BOULONS DE SÉCURITÉ NE SOIENT RETIRÉS.



21



- US** Make sure that all parts are assembled and hardware is fully tightened before operating the grill.
- esMX** Asegúrese de montar todas las partes y de que estas queden bien apretadas antes de usar el asador.
- frCA** Assurez-vous que toutes les pièces sont assemblées et que toute la visserie est bien serrée avant de mettre le barbecue en marche.



## COOKING SYSTEM

Extensive thought was put into how your charcoal grill was designed. WEBER grills are designed so that you never have to worry about flare-ups, hot and cold spots, or burnt food. Expect excellent performance, control, and results every time.

### **A** Bowl and Lid

The air-insulated, double-wall bowl and lid retain heat for longer cook times and excellent temperature control. The unique kettle shape of your SUMMIT charcoal grill allows for true convection cooking.

### **B** Dampers and Vents

A major component in charcoal grilling is air. The more air allowed into the grill, the hotter the fire will grow (to a point) causing the charcoal to burn much faster. The bowl vent on the bottom of the grill should be open while grilling or in the smoke position while smoking. The top damper is used to control the temperature within the grill; however, should never be completely closed.

### **C** Cooking Grate

Made of heavy-duty stainless steel, the cooking grate provides ample area to make all of your favorite meals.

### **D** Diffuser Plate

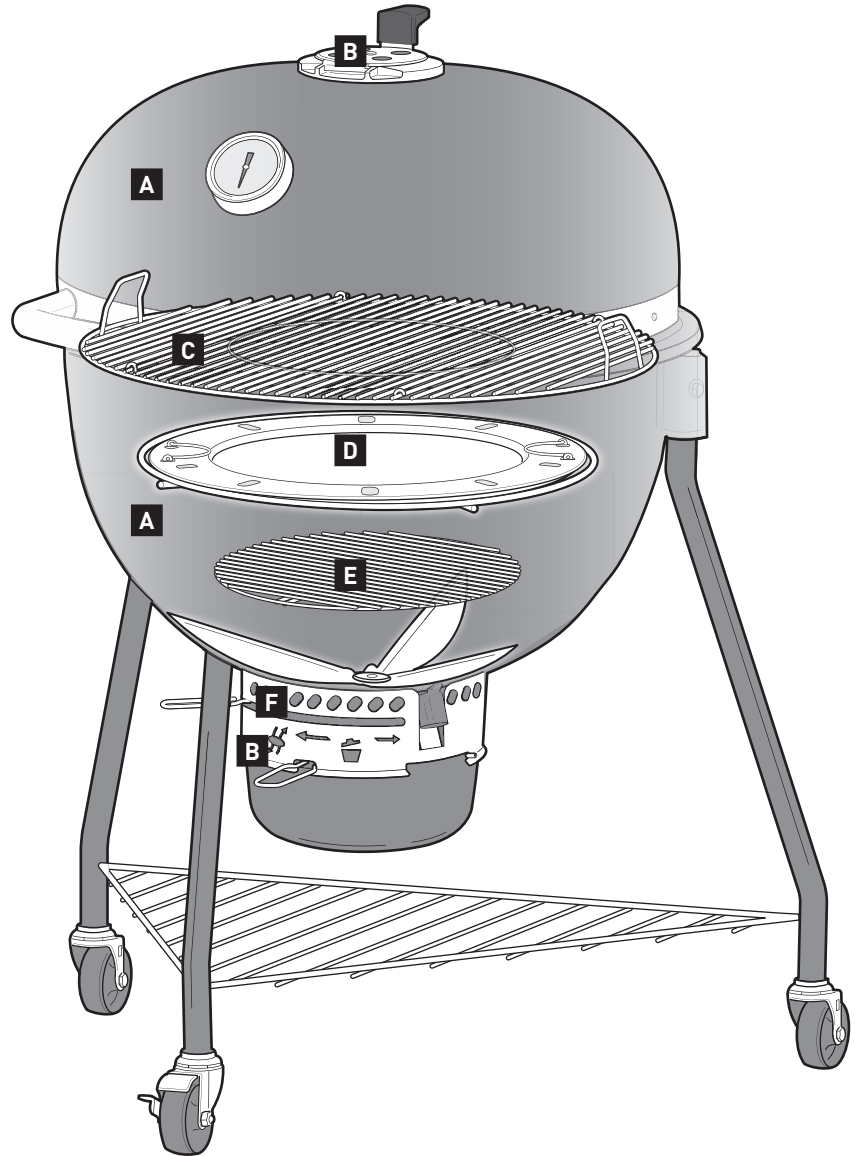
The stainless steel diffuser plate is used to maintain a consistent temperature and to direct heat and smoke around the food. It is always used while smoking. However, it can also be used while cooking indirectly to maximize grilling space.

### **E** Fuel Grate

The fuel grate has what it takes to withstand the heat of any charcoal fire. Made of heavy-duty steel, this durable grate will not warp or burn through. The grate can be moved to a higher position in the bowl for grilling and lower position for smoking.

### **F** ONE-TOUCH Cleaning System

The stainless steel ONE-TOUCH cleaning system makes cleanup hassle free. As you move the handle back and forth, the three blades in the bowl move ash from the bottom of the grill into the high capacity ash catcher for quick and clean ash removal. These same vents act as a bowl damper, to help bring oxygen up to the fire or to allow you to easily extinguish the fire.





# FEATURES

The WEBER SUMMIT KAMADO E6 isn't just your typical grill. The top-of-the-line features and innovative design allow you to grill or smoke your food with convenience and ease.

## A Gourmet BBQ System

The GOURMET BBQ SYSTEM cooking grate is the circular center grate within the hinged cooking grate. It is removable and can be replaced with any of the WEBER GOURMET BBQ SYSTEM inserts (sold separately). For a full product line of GOURMET BBQ SYSTEM inserts, visit our website at [www.weber.com](http://www.weber.com).

## B Stainless Steel Diffuser Plate

This specially designed diffuser plate is used specifically for smoking food, as well as indirect cooking.

## C Built-In Thermometer

The large, durable, built-in lid thermometer allows you to easily monitor your grill's temperature. The "smoke" zone on the thermometer indicates when the grill has reached the ideal temperature for smoking.

## D High Capacity Ash Catcher

The fully enclosed high capacity ash catcher keeps ashes from blowing around and easily detaches for quick and clean ash removal.

## E Tool Hook Handles

The tool hooks are built right in so you have a convenient place to hang your cooking tools.

## F Bowl Vents for Low Temperature Grilling

The new shape of these bowl vents allow the perfect amount of airflow for low temperature grilling and smoking. (Not pictured)

## G Bottom Wire Rack

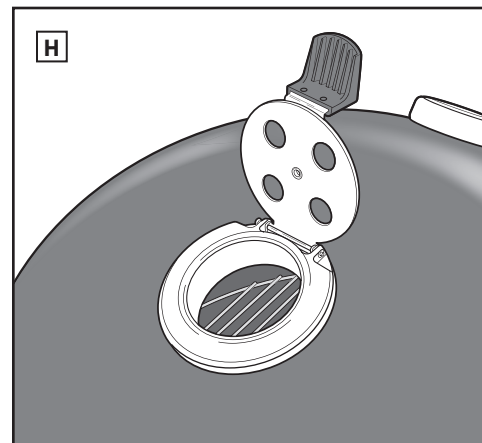
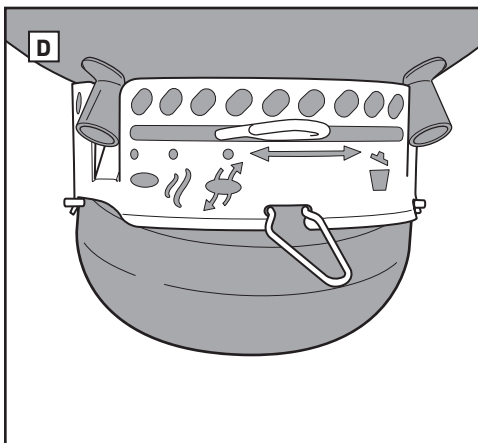
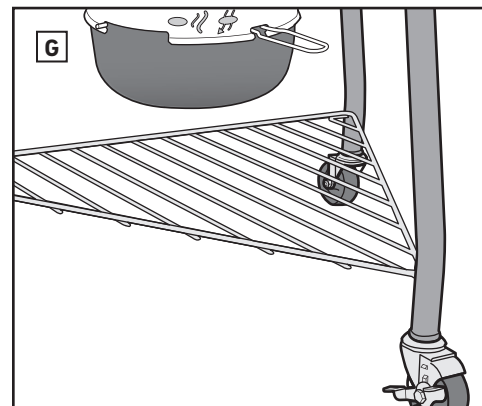
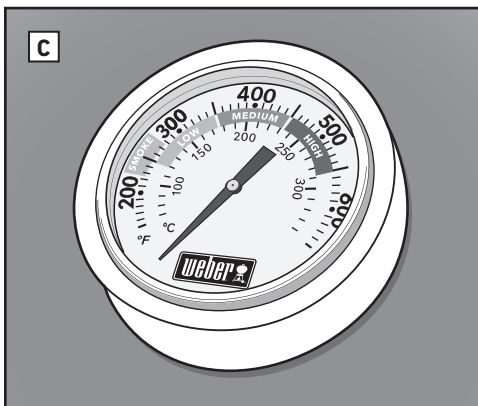
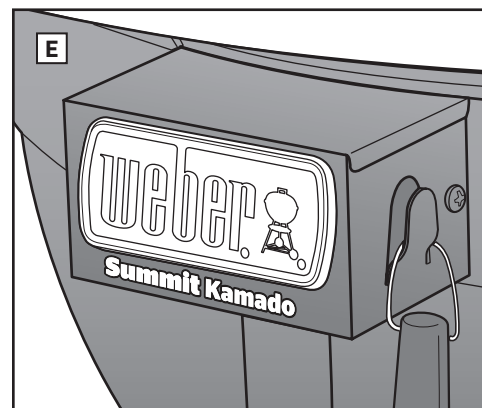
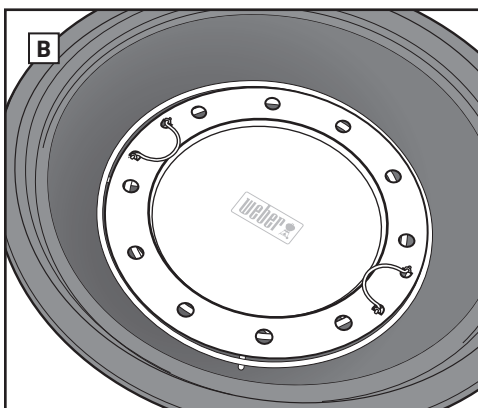
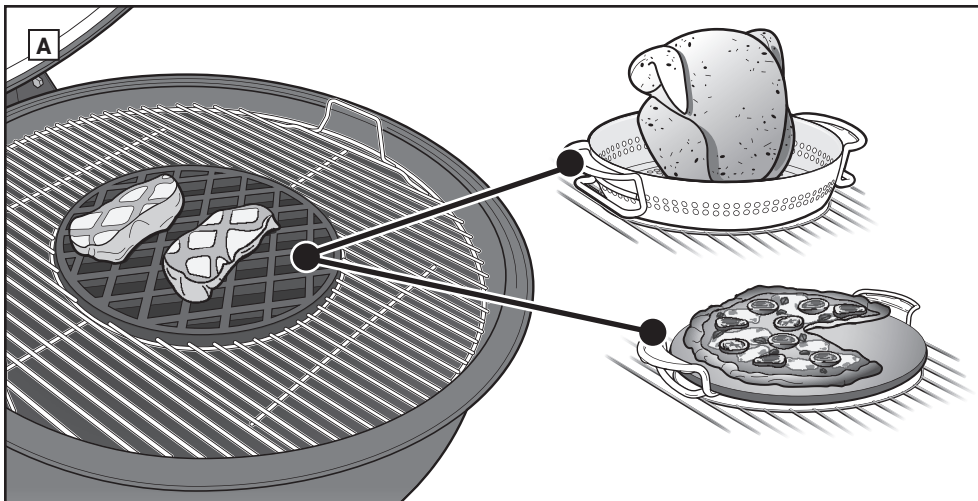
The bottom wire rack (G) supplies additional storage.

## H RAPIDFIRE Lid Damper

The hinged RAPIDFIRE lid damper maximizes airflow and increases temperature quickly to get you up and grilling within 20 minutes. It also aids in a quick temperature recovery rate.

## I Easy-Open Lid Hinge

The lid of your grill was designed with a spring hinge to make opening and closing the lid simple and safe. The hinge prevents the lid from slamming shut, preventing possible injury or damage to the grill. (Not pictured)





# BEFORE LIGHTING

## Choose a Proper Location to Grill

- Only use this grill outdoors in a well-ventilated area. Do not use in a garage, building, breezeway, or any other enclosed area.
- Keep the grill on a secure, level surface at all times.
- Do not use the grill within 5 feet (1.5 M) of any combustible material. Combustible materials include, but are not limited to, wood or treated wood decks, patios, and porches.

## Choose How Much Charcoal to Use

Choosing charcoal or briquette quantity depends on what you are grilling and the size of your grill. If you are grilling small, tender pieces of food that take less than 20 minutes, refer to the *Charcoal Quantity for Direct Heat* chart. If you are grilling or smoking larger cuts of meat that require 20 minutes or more of grilling time, or delicate foods, refer to the *Charcoal Quantity for Indirect Heat* chart. For more details about the difference between direct and indirect cooking, refer to the *GRILLING METHODS* section of this manual.

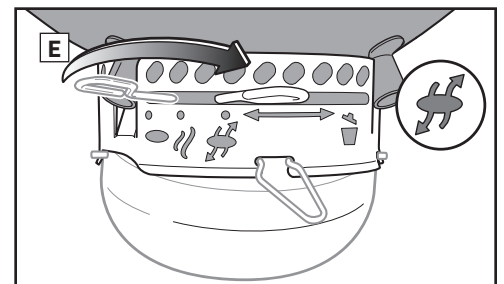
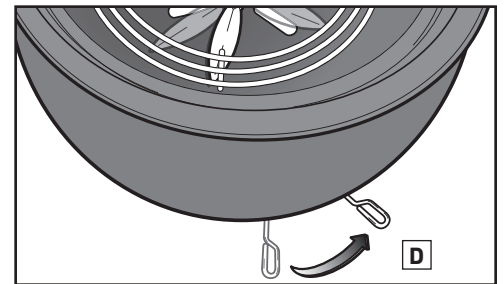
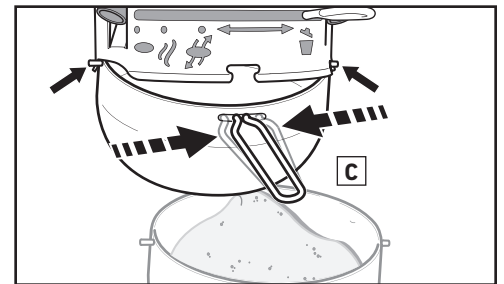
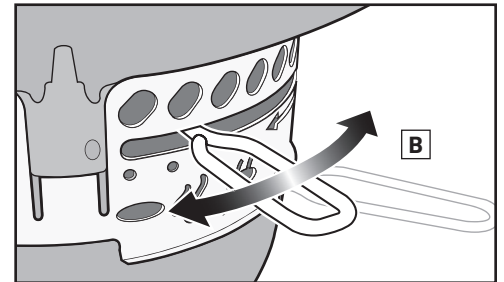
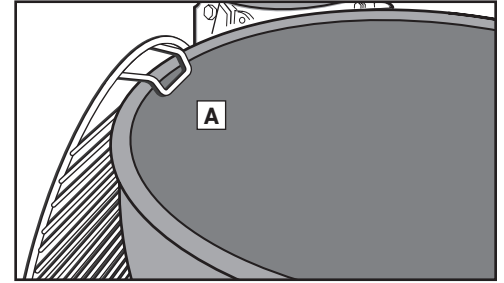
## The Very First Time You Grill

It is recommended that the grill be heated up and the fuel kept red hot, with the lid on, for at least 30 minutes prior to cooking for the first time to burn off any manufacturing residue.

## Preparing the Grill for Lighting

1. Open the lid.
2. Remove the cooking grate from the grill. For convenience, hang the cooking grate on the bowl of your grill by its curved handles (A).
3. Remove the charcoal (bottom) grate and clear ashes or chunks of old charcoal from the bottom of the bowl. Charcoal requires oxygen to burn, so be sure that nothing clogs the vents. Using the ONE-TOUCH cleaning system, move the handle back and forth to move ash from the bottom of the grill into the ash catcher (B).
4. Squeeze the ash catcher handle to release it from the grill (C).
5. Open bowl vent by moving the handle all the way to the right (D) or by moving the handle to the open position (E).
6. Reinstall the charcoal (bottom) grate.

*Note: Instructions for using lighter fluid was purposely left out of this owner's guide. Lighter fluid is messy and can transmit a chemical taste to your food, while lighter cubes (sold separately) do not. If you choose to use lighter fluid, follow the manufacturer's instructions and NEVER add lighter fluid to a burning fire.*



## Charcoal Quantity for Direct Heat

Charcoal Briquettes	Lump Charcoal*	WEBER Briquettes
60 briquettes (1½ cups)	3½ cups	40 briquettes (1 cup)

\* When measuring charcoal quantities, use the charcoal measuring cup provided with your grill.

## Charcoal Quantity for Indirect Heat

Charcoal Briquettes for first hour (per side)	Charcoal Briquettes to add for each additional hour (per side)
30 briquettes (¾ cup)	9 briquettes (¼ cup)

Lump Charcoal* for first hour (per side)	Lump Charcoal* to add for each additional hour (per side)
2 cups	½ cup

WEBER Briquettes for first hour (per side)	WEBER Briquettes to add for each additional hour (per side)
20 briquettes (½ cup)	8 briquettes (¼ cup)

\* When measuring charcoal quantities, use the charcoal measuring cup provided with your grill.





# LIGHTING CHARCOAL

## Lighting the Charcoal Using a Chimney Starter

The simplest way to light any kind of charcoal is to use a chimney starter; the WEBER RAPIDFIRE chimney starter (sold separately). Refer to the cautions and warnings included with the RAPIDFIRE chimney starter before lighting. When igniting fuel ensure all dampers are fully opened.

1. Put a few sheets of wadded up newspaper in the bottom of the chimney starter and set the chimney starter on the charcoal grate **(A)**; or put a few lighter cubes near the center of the charcoal grate and place the chimney starter over them.
2. Fill the chimney starter with charcoal **(B)**.
3. Light the lighter cubes or newspaper through the holes on the side of the chimney starter **(C)**.
4. Keep the chimney starter in place until the charcoal is fully lit. You can tell when the charcoal is fully lit when it is covered with a coating of white ash. This can take anywhere from 15 to 30 minutes. Never close the lid with the chimney starter inside the grill.

*Note: The lighter cubes used must be completely consumed and the coals ashed over before placing food on the cooking grate.*

5. Once the charcoal is fully lit, continue to the following pages for instructions on how to arrange your charcoal and begin cooking according to your desired cooking method.

## Lighting the Charcoal Using Lighter Cubes

When igniting charcoal, ensure all lid and bowl dampers are fully opened.

1. Build a pyramid of charcoal in the center of the charcoal (bottom) grate and insert a couple of lighter cubes (sold separately) within the pyramid **(D)**.
2. Using a long match or lighter, light the lighter cubes. The lighter cubes will then ignite the charcoal.
3. Wait for the charcoal to fully light. You can tell when the charcoal is fully lit when it is covered with a coating of white ash. This can take anywhere from 15 to 30 minutes.

*Note: The lighter cubes used must be completely consumed and the coals ashed over before placing food on the cooking grate.*

4. Once the charcoal is fully lit, continue to the following pages for instructions on how to arrange your fuel and begin cooking according to your desired cooking method.

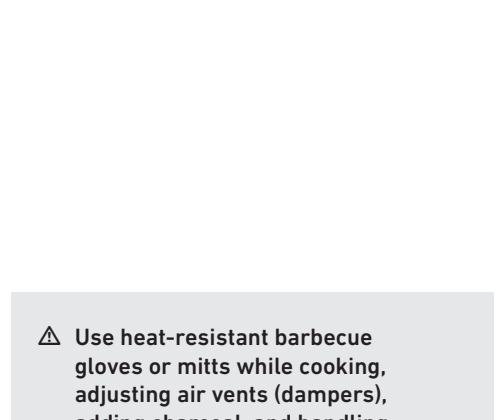
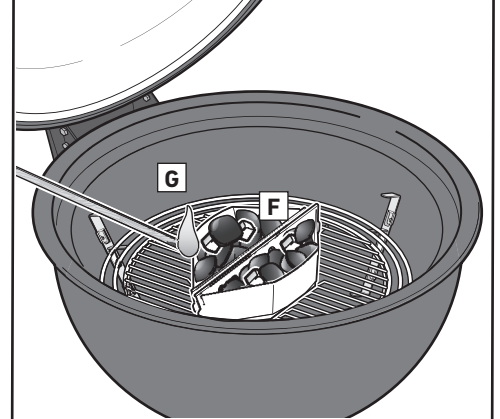
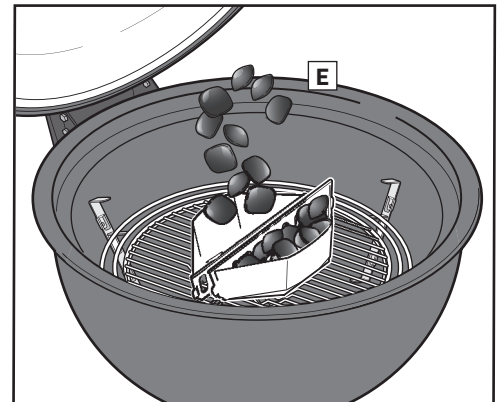
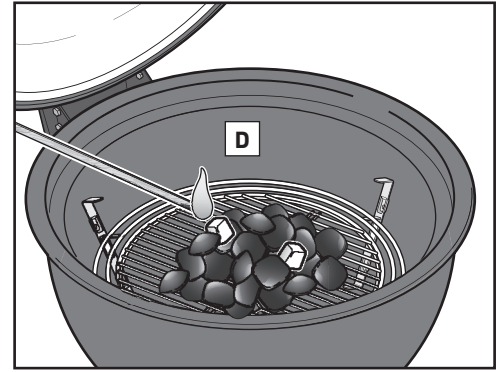
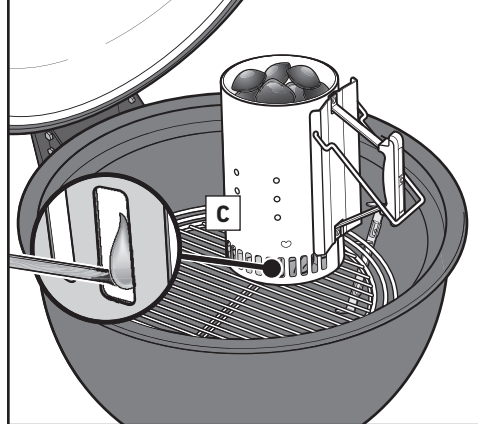
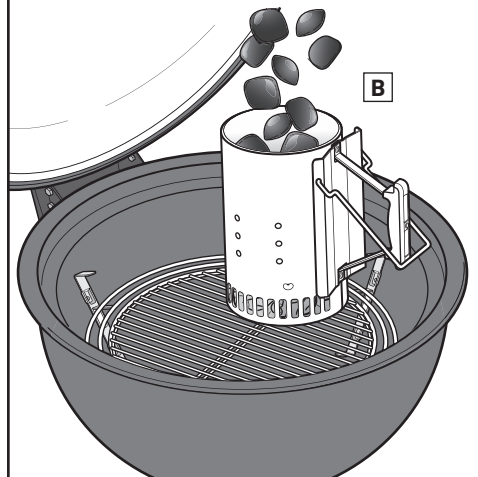
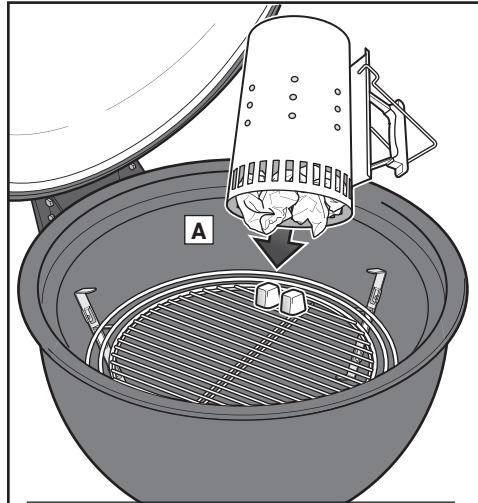
## Lighting the Charcoal Using CHAR-BASKETS

When igniting charcoal, ensure all lid and bowl dampers are fully opened.

1. Place the CHAR-BASKETS on the center of the charcoal grate and fill the CHAR-BASKETS with charcoal **(E)**.
2. Insert a couple of lighter cubes (sold separately) into each of the CHAR-BASKETS **(F)**. Make sure to nestle them within the charcoal.
3. Using a long match or lighter, light the lighter cubes. The lighter cubes will then ignite the charcoal **(G)**.
4. Wait for the fuel to fully light. You can tell when the charcoal is fully lit when it is covered with a coating of white ash. This can take anywhere from 15 to 30 minutes.

*Note: The lighter cubes used must be completely consumed and the coals ashed over before placing food on the cooking grate.*

5. Once the charcoal is fully lit, continue to the following pages for instructions on how to arrange your charcoal and begin cooking according to your desired cooking method.



- ⚠ Use heat-resistant barbecue gloves or mitts while cooking, adjusting air vents (dampers), adding charcoal, and handling thermometer or lid.
- ⚠ Never close the lid with the chimney starter in the barbecue.



# GRILLING METHODS - DIRECT HEAT

The WEBER SUMMIT KAMADO can be used for three cooking methods: Direct grilling, Indirect grilling, and Smoking. Before continuing, determine which cooking method will be used and follow the appropriate instructions in this owner's guide.

*NOTE: Grilling in a colder climate or higher altitude will extend your cooking time. Windy weather conditions will raise the grill's temperature.*

## GRILLING WITH DIRECT HEAT

Use the direct grilling method for small, tender pieces of food that take less than 20 minutes to cook, such as: hamburgers, steaks, chops, kabobs, boneless chicken pieces, fish fillets, shellfish, and sliced vegetables.

With direct heat, the fire is right below the food (A). It sears the surfaces of the food, developing flavors, texture, and delicious caramelization while cooking the food all the way to the center.

A direct fire creates both radiant and conductive heat. Radiant heat from the charcoal quickly cooks the surface of the food closest to it. At the same time, the fire heats the cooking grill rods, which conducts heat directly to the surface of the food and creates those unmistakable and lovely grill marks.

## Grill Setup For Direct Heat

1. Place the support ring (B) in the middle position of the bowl, then place the charcoal grate (C) within the center of the support ring.
2. Ignite the charcoal. Refer to the "LIGHTING CHARCOAL" section in this owner's guide.

*NOTE: Lid, dampers, and vents must remain open when igniting charcoal.*

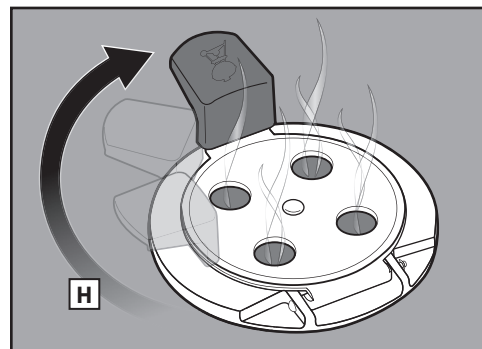
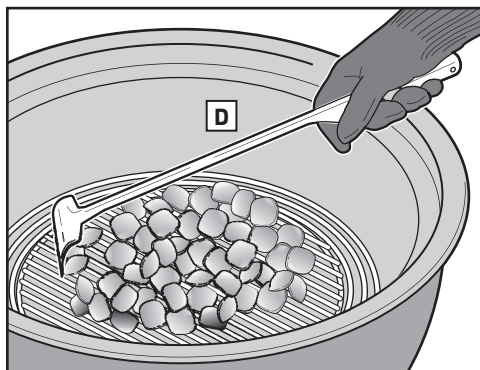
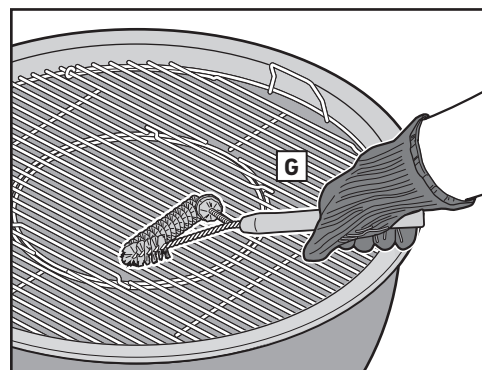
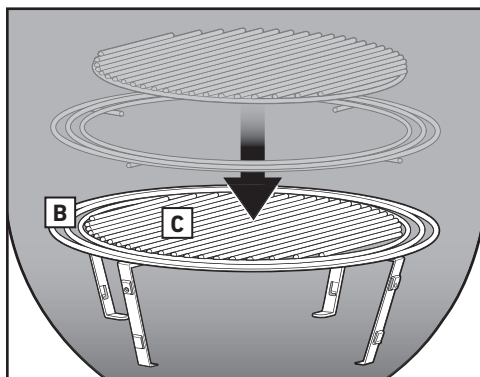
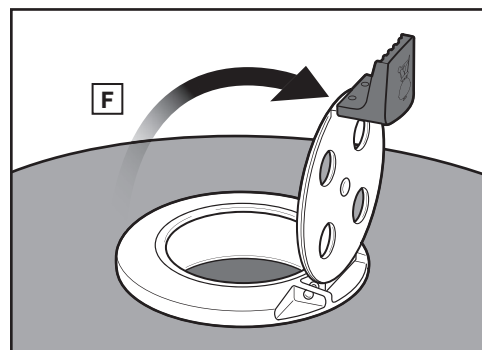
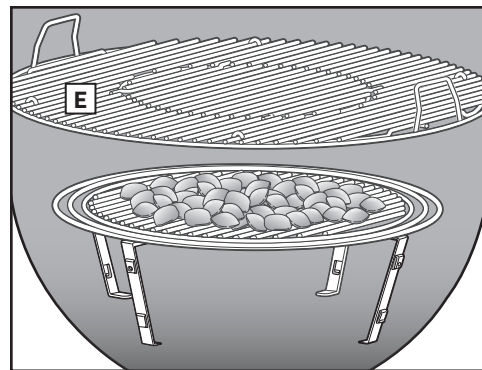
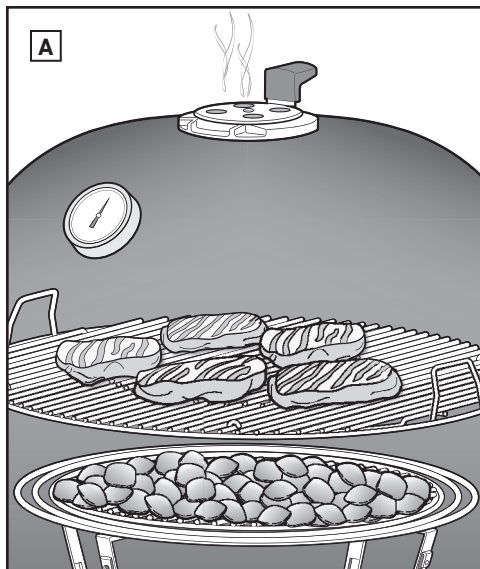
3. Once the charcoal is lit, put on barbecue mitts or gloves. Using long tongs or a charcoal rake, spread the charcoal evenly across the charcoal grate (D). Make sure lit charcoal is in contact with unlit charcoal.
4. Place the cooking grate in the top position of the bowl (E).
5. Close the grill lid and flip open the RAPIDFIRE lid damper (F).
6. Preheat the cooking grate for approximately 5-10 minutes or until desired grill temperature is reached.
7. Once the cooking grate is preheated, using a stainless steel bristle grill brush or scraper, clean the cooking grate (G).

*NOTE: When using a stainless steel bristle grill brush, replace brush if any loose bristles are found on cooking grate or brush.*

8. Place the food on the cooking grate and close the grill lid. Rotating the RAPIDFIRE lid damper will increase or decrease the desired heat inside the grill (H). Consult recipe for recommended cooking times and temperature. Reference the lid thermometer for the desired internal grill temperature.

## When Finished Cooking

Close the lid damper and bowl vents to extinguish the charcoal.





# GRILLING METHODS - INDIRECT HEAT

## GRILLING WITH INDIRECT HEAT

Use the indirect method for larger cuts of meat that require 20 minutes or more of grilling time, or for foods so delicate that direct exposure to the heat would dry them out or scorch them, such as: roasts, bone-in poultry pieces, whole fish, delicate fish fillets, whole chickens or turkeys, and ribs. Indirect heat can also be used for finishing thicker foods or bone-in cuts that have been seared or browned first over direct heat.

With indirect heat, the heat is on both sides of the grill (A), or off to one side of the grill. The food sits on the portion of the cooking grate without charcoal directly below it.

The radiant and conductive heat are still factors, but they are not as intense while indirect cooking. However, if the lid of the grill is closed, as it should be, there is another kind of heat generated: convection heat. Heat rises, reflects off the lid and inside surfaces of the grill, and circulates to slowly cook the food evenly on all sides. Convection heat doesn't sear the surface of the food the way radiant and conductive heat do. It cooks it more gently all the way to the center, like the heat in an oven.

*NOTE: Grilling in a colder climate or higher altitude will extend your cooking time. Windy weather conditions will raise the grill's temperature.*

## Grill Setup For Indirect Heat

1. Place the support ring (B) in the middle position of the bowl, then place the charcoal grate (C) within the center of the support ring.

2. Ignite the charcoal. Refer to the "LIGHTING CHARCOAL" section in this owner's guide.

*NOTE: Lid, dampers, and vents must remain open when igniting charcoal.*

4. Once the charcoal is lit, put on barbecue mitts or gloves. Using long tongs, separate the CHAR-BASKETS so they will be set on both sides of the food (D).

*NOTE: A disposable drip pan should be placed between the CHAR-BASKETS to collect drippings and minimize cleaning time.*

*NOTE: Alternatively, this grill has ample cooking space to cook indirectly and directly simultaneously. By moving both CHAR-BASKETS to one side of the grill, you can cook directly over the baskets and use the remaining side of the cooking grate to cook indirectly.*

5. Place the cooking grate in the top position of the bowl, ensuring the hinged sections are over the CHAR-BASKETS (E) to add more charcoal if needed.

6. Close the grill lid and flip open the RAPIDFIRE lid damper (F).

7. Preheat the cooking grate for approximately 5-10 minutes or until desired grill temperature is reached.

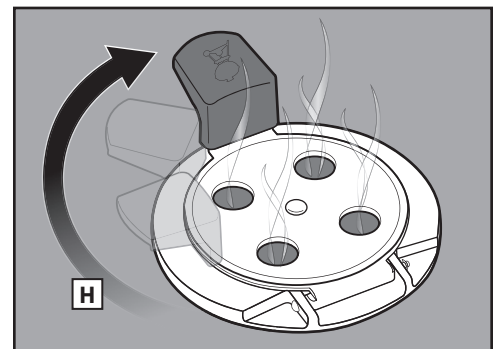
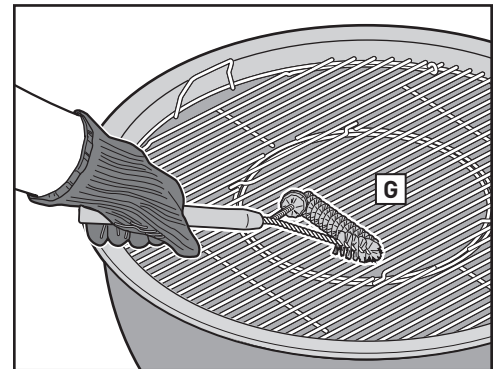
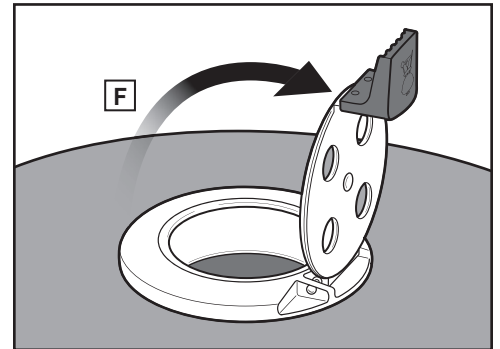
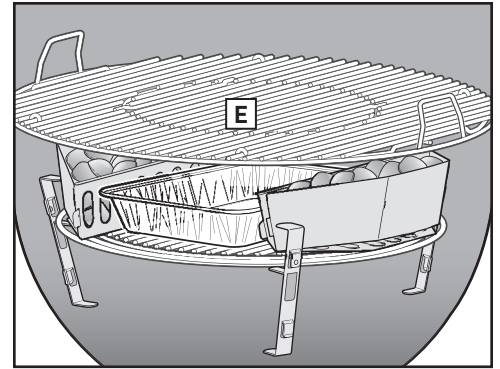
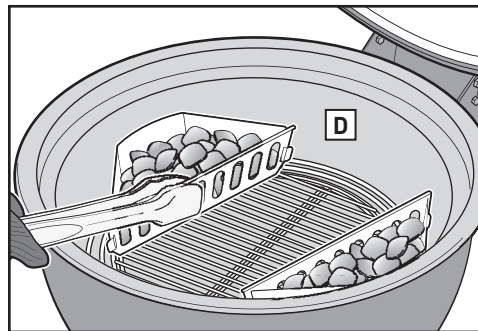
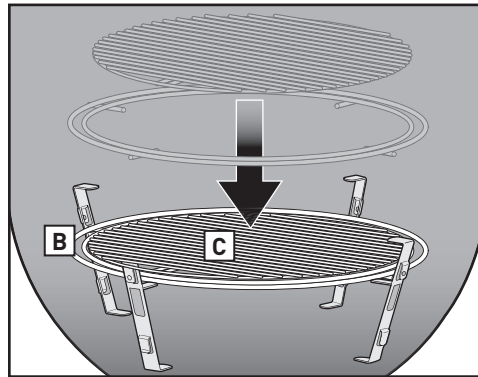
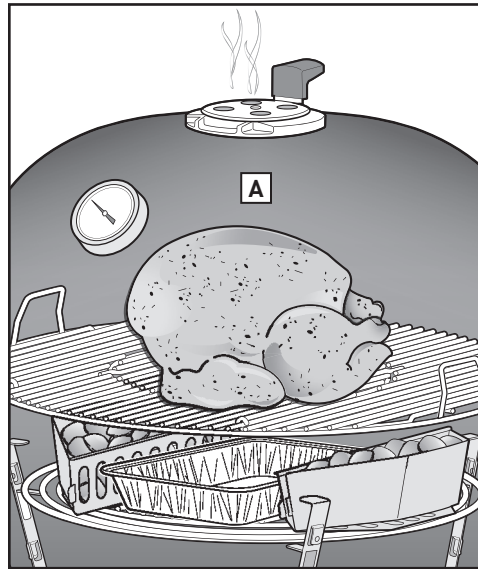
8. Once the cooking grate is preheated, using a stainless steel bristle grill brush or scraper, clean the cooking grate (G).

*NOTE: When using a stainless steel bristle grill brush, replace brush if any loose bristles are found on cooking grate or brush.*

9. Place the food on the cooking grate in between the CHAR-BASKETS and close the grill lid. Rotating the RAPIDFIRE lid damper will increase or decrease the desired heat inside the grill (H). Consult recipe for recommended cooking times and temperature. Reference the lid thermometer for the desired internal grill temperature.

## When Finished Cooking

Close the lid damper and bowl vents to extinguish the charcoal.





# GRILLING METHODS - SMOKING

## SMOKING

Smoking is cooking food at a low temperature over an extended period of time using chunks or chips of genuine hardwood (A). This technique is also referred to as the "low and slow method". Cooking low and slow keeps the juices and flavor in your food to produce an extremely tender piece of meat. Smoking works great for large cuts of meat such as: brisket, turkey, pork shoulder, ribs, and whole chicken.

*NOTE: Grilling in a colder climate or higher altitude will extend your cooking time. Windy weather conditions will raise the grill's temperature.*

### Grill Setup For Smoking

1. Place charcoal grate (B) in the bottom position of the bowl then place the support ring in the middle position of the bowl (C).

*NOTE: 35-45 briquettes will provide 8-10 hours of cooking time. For foods that require longer to cook, more charcoal will be needed. Refer to the "Smoking & Cooking Times" chart for more information.*

2. Ignite the charcoal. Refer to the "LIGHTING CHARCOAL" section in this owner's guide.

*NOTE: Lid, dampers, and vents must remain open when igniting charcoal.*

3. Once the charcoal is lit, put on barbecue mitts or gloves. Using long tongs, add WEBER wood chunks or chips to the perimeter of the lit charcoal (D).

4. Place the diffuser plate within the center of the support ring (E).

*NOTE: A disposable drip pan should be placed on the diffuser plate to collect drippings and minimize cleaning time. Add two drip pans when smoking larger pieces of meat.*

5. Place the cooking grate in the top position of the bowl (F).

6. Close the grill lid.

7. Once the grill reaches the smoke zone on the thermometer (G), slide the bowl vent arm to the smoking position (H) and rotate the RAPIDFIRE lid damper (I) accordingly to maintain recommended smoking temperature.

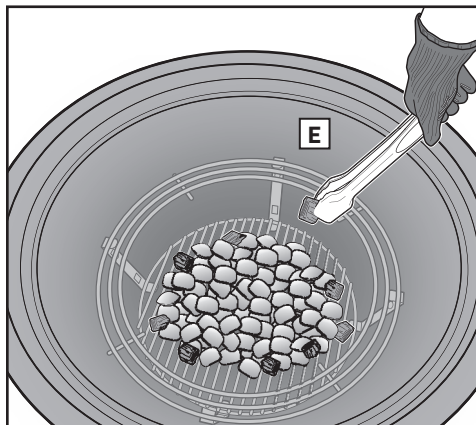
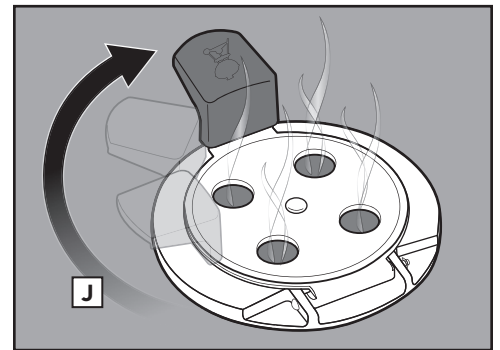
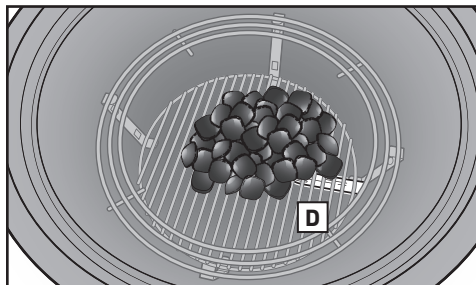
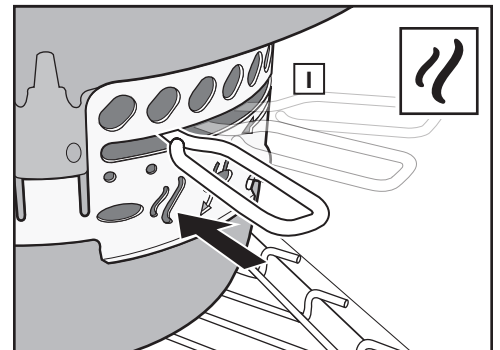
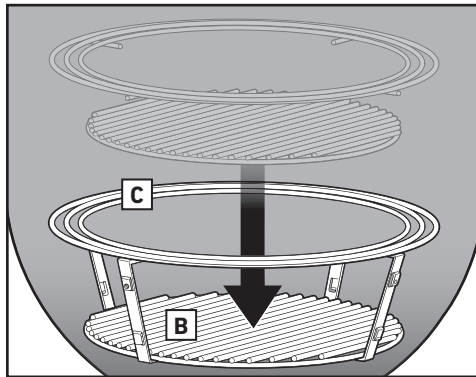
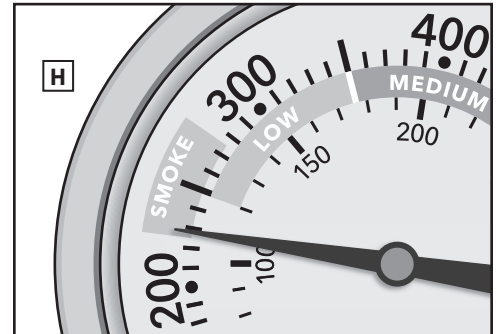
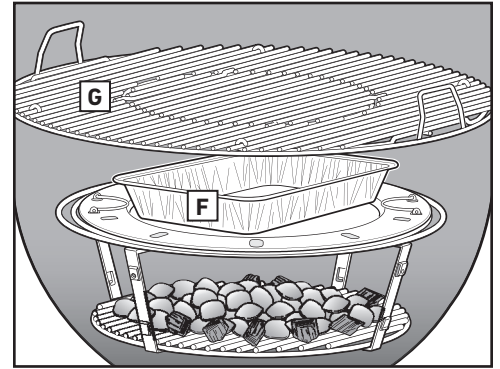
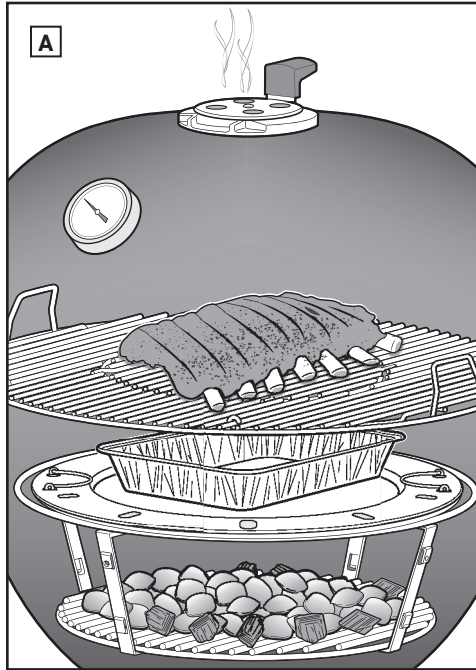
8. Open the grill lid and clean the cooking grate using a stainless steel bristle grill brush or scraper.

*NOTE: When using a stainless steel bristle grill brush, replace brush if any loose bristles are found on cooking grate or brush.*

9. Place the food on the center of the cooking grate. Consult recipe for recommended cooking times.

### When Finished Cooking

Close the lid damper and bowl vents to extinguish the charcoal.





# GRILLING METHODS - SMOKING

## Charcoal Quantity for Smoking & Cooking Times

	Weight	Cooking Time	Charcoal Briquettes	Wood Chunks
FISH	1 lb to 3 lb (0.45 - 1.36 kg)	1 to 2½ hours	60 to 80 briquettes (1¾ cups)	2 to 4
	3 lb to 6 lb (1.36 - 2.7 kg)	2½ to 4 hours	60 to 80 briquettes (1¾ cups)	2 to 4
POULTRY	2 lb to 3 lb (0.9 - 1.36 kg)	2 to 3½ hours	60 to 80 briquettes (1¾ cups)	1 to 3
	4 lb to 8 lb (1.81 - 3.62 kg)	3½ to 4 hours	80 to 100 briquettes (2¾ cups)	2 to 4
	8 lb to 12 lb (3.62 - 5.44 kg)	4 to 5 hours	80 to 100 briquettes (2¾ cups)	3 to 4
	12 lb to 18 lb (5.44 - 8.1 kg)	8 to 10 hours	100 to 120 briquettes (2¾ cups)	3 to 5
PORK	4 lb to 8 lb (1.81 - 3.62 kg)	5 to 8 hours	80 to 100 briquettes (2¾ cups)	3 to 4
	8 lb to 12 lb (3.62 - 5.44 kg)	8 to 12 hours	100 to 120 briquettes (2¾ cups)	3 to 5
BEEF	4 lb to 8 lb (1.81 - 3.62 kg)	7 to 12 hours	80 to 120 briquettes (2¾ cups)	3 to 5
	8 lb to 12 lb (3.62 - 5.44 kg)	12 to 18 hours	120 to 140 briquettes (3¾ cups)	3 to 5

Cooking times for beef use the USDA's definition of medium doneness. Cooking times listed are for foods that have been completely thawed. The weights, charcoal quantities, and cooking times are meant to be guidelines rather than hard and fast rules. Factors such as altitude, wind, and outside temperature can affect cooking times.

⚠ WARNING: Never use charcoal impregnated with charcoal lighter fluid.

## Wood Flavors for Smoking

Wood Flavor	Characteristics	Pairs With
<b>Apple</b>	SUBTLE Slightly sweet with a dense, fruity smoke flavor	Fish Poultry Pork (particularly ham) Vegetables
<b>Cherry</b>	SUBTLE Slightly sweet with a fruity smoke flavor	Fish Poultry Pork Vegetables
<b>Hickory</b>	RICH Pungent and smoky with a bacon-like flavor	Poultry Pork Beef
<b>Beech</b>	SUBTLE Delicate with a mildly smoky flavor	Fish Poultry Pork Lamb Vegetables
<b>Pecan</b>	RICH Pungent with a sweet flavor. Ideal for smoking at a very low heat.	Fish Poultry Pork Lamb Beef
<b>Mesquite</b>	BOLD Big, bold smoke flavor with a borderline bitter finish.	Pork Lamb Beef

### TIPS & TRICKS FOR GRILLING SUCCESS

#### Choose a Proper Location to Grill

- Only use this grill outdoors in a well-ventilated area. Do not use in a garage, building, breezeway, or any other enclosed area.
- Keep the grill on a secure, level surface at all times.
- Do not use grill within two feet of any combustible material. Combustible materials include, but are not limited to, wood or treated wood decks, patios, and porches.

#### Preheat the Grill

Preheating your grill is a key factor when grilling directly, indirectly, and smoking. When the grill has preheated, the heat loosens pieces of food stuck to the grate, making it easy to brush off with a stainless steel bristle grill brush or a wood scraper. Preheating also gets the grate hot enough to sear properly and helps prevent food from sticking to the grate.

#### Wear Gloves

Always wear barbecue mitts when using your charcoal grill. Vents, dampers, handles, and the bowl will all get hot during the grilling process, so be sure to keep your hands and forearms protected.

#### Igniting the Charcoal

WEBER recommends using a chimney starter (sold separately) and lighter cubes (sold separately) to ignite charcoal. Refrain from using lighter fluid as it is messy and can transmit a chemical taste to your food.

#### Oil the Food, Not the Grate

Lightly oiling your food adds flavor and moisture, while also preventing the food from sticking to the grate. We do not recommend oiling the grate, as this could cause unnecessary flare-ups.

#### Put a Lid On It

Keep the lid closed as much as possible for these reasons:

1. Keeps the grate hot enough to sear the food when cooking directly.
2. Traps the smokiness that develops when fat and juices vaporize in the grill.
3. Prevents flare-ups by limiting oxygen.

#### Diffuser Plate Do's and Don'ts

When smoking, the diffuser plate helps to maintain consistent low temperatures and redirects the heat and smoke around the food. However, the diffuser plate can also be used when cooking indirectly to maximize cooking space. Never put food or fuel on the diffuser plate.

#### Tame the Flame

Flare-ups happen, which is typically good because the flames sear the surface of the food. However, too many flare-ups can cause the food to burn. Keeping the lid closed as much as possible limits the amount of oxygen inside the grill, which will help extinguish any flare-ups. If the flames become out of control, temporarily move the food over indirect heat until they die down.

#### Watch the Time and Temperature

Grilling in a colder climate or higher altitude will extend your cooking time. Windy weather conditions will raise the grill's temperature.

#### Keep It Clean

Follow the basic routine maintenance instructions to keep your grill looking and functioning great for years to come. Be sure to remove accumulated ashes and old charcoal from the bottom of the bowl and the ash catcher before every use.

#### Smoking with Wood

Experimenting with different woods while smoking is encouraged to find the perfect balance of sweet and savory. While smoking over long periods of time, be sure to always use wood chunks instead of wood chips. Chunks allow for a longer smoke that penetrates slowly over a long cooking time. Wood chips work best for a shorter cooking time because they do not last as long during a long smoke.



## CLEANING THE INSIDE OF THE GRILL

Cleaning the inside of your grill before each use is essential to keep your grill operating at peak performance for years to come.

⚠ **WARNING:** Wait for grill to cool before giving it a thorough cleaning.

### Cleaning the Lid

From time to time you may notice “paint-like” flakes on the inside of the grill lid. During use, grease and smoke vapors slowly change into carbon and deposit on the inside of your lid. This deposit will eventually peel, and looks very similar to paint. These deposits are non-toxic, but the flakes could fall onto your food if you do not clean the lid regularly.

You will need: A non-abrasive, nylon mesh scrubbing pad and a paper towel.

1. Scrub the carbonized grease on the inside of the grill lid with a scrubbing pad (A). To minimize future grease buildup, wipe the inside of the lid with a paper towel after each use; do so when the grill is warm (not hot) to the touch.

### Cleaning the Grates & Diffuser Plate

If you have been cleaning your cooking grates routinely after preheating, the debris on them should be minimal. You should also make an effort to keep the debris and buildup on your diffuser plate to a minimum between meals. Utilization of a disposable drip pan will minimize the amount of cleaning needed.

You will need: A stainless steel bristle grill brush or a wood scraper.

1. While the cooking grate is installed, brush the debris off your cooking grate with a stainless steel bristle grill brush or wood scraper (B).
- ⚠ **CAUTION:** Grill brushes should be checked for loose bristles and excessive wear on a regular basis. Replace brush if any loose bristles are found on cooking grate or brush. WEBER recommends purchasing a new stainless steel bristle grill brush at the beginning of every spring.
2. Remove the cooking grate from the grill.
  3. With diffuser plate installed, brush the debris off the plate with a stainless steel bristle grill brush.
  4. Remove the diffuser plate.
  5. With charcoal grate installed, brush the debris off the charcoal grate with a stainless steel bristle grill brush.

### Cleaning the Bowl

For proper air flow and a better grilling experience, remove accumulated ashes and old charcoal from the bottom of the bowl and empty the ash catcher before every use.

1. Open the grill lid and remove the cooking grate, diffuser plate, and charcoal grate.
2. Clear ashes or chunks of old charcoal from the bottom of the bowl. Charcoal requires oxygen to burn, so be sure that nothing clogs the vents. Move the handle of the ONE-TOUCH cleaning system back and forth to move ash from the bottom of the bowl into the ash catcher (D).
3. Squeeze the ash catcher handle to release it from the grill (E). Once completely cooled, dump cold ashes in a safe container to dispose of and replace the high capacity ash catcher.

## CLEANING THE OUTSIDE OF THE GRILL

The outside of your grill may include stainless steel, porcelain-enameled, and plastic surfaces. WEBER recommends the following methods based on the surface type. Make sure that all of the charcoal is fully extinguished and the grill is cool before cleaning the exterior.

### Stainless Steel Surfaces

Clean exterior stainless steel surfaces using a non-toxic, non-abrasive stainless steel cleaner or polish designed for use on outdoor products and grills, or just soap and water. Do not risk scratching your stainless steel with abrasive pastes that do not clean or polish, but change the color of the metal by removing the top chromium oxide film coating. Do not use paper towels. Instead, use a microfiber cloth to wipe down stainless steel surfaces.

You will need: A microfiber cloth, stainless steel cleaner, or soap and water.

1. Spray cleaner onto the stainless steel areas of the grill. Using a microfiber cloth, clean in the direction of the grain of the stainless steel and let dry.
2. If using soap and water, use a microfiber cloth to apply soapy water, then rinse with water and let dry.

### Painted, Porcelain-Enameled Surfaces, and Plastic Components

Clean painted, porcelain-enameled, and plastic surfaces on the outside of your grill with warm soapy water.

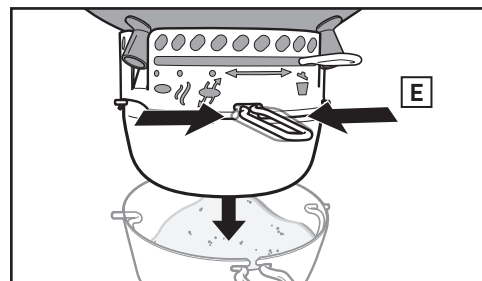
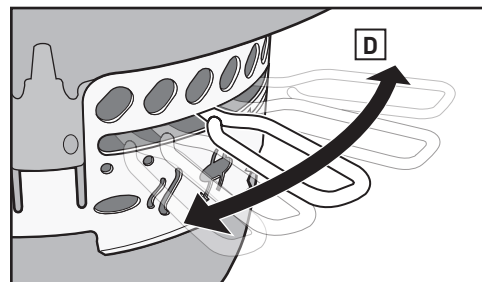
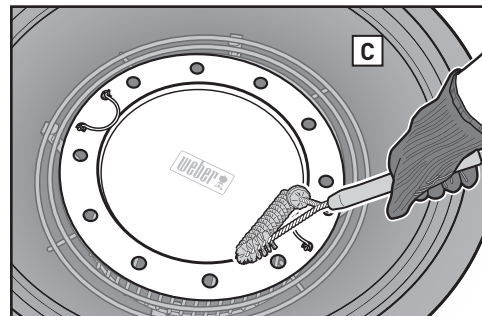
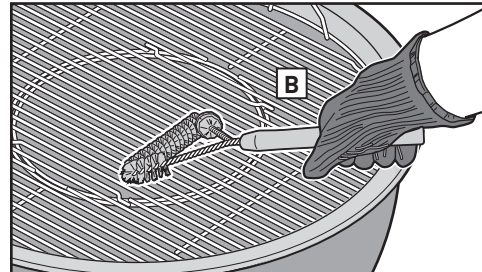
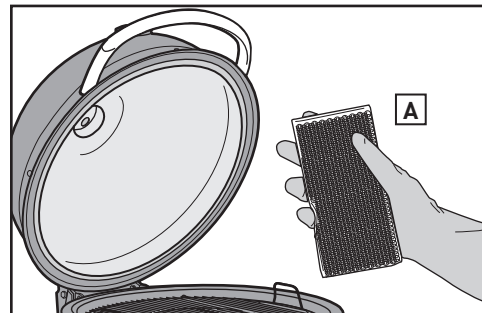
You will need: Warm soapy water, paper towels or a microfiber cloth.

1. Wipe down the surfaces with warm soapy water. Rinse and dry thoroughly.

⚠ **IMPORTANT:** Do not use any of the following to clean your grill: abrasive stainless steel polishes or paints, cleaners that contain acid, mineral spirits or xylene, oven cleaner, abrasive cleansers (kitchen cleansers), and abrasive cleaning pads.

## CLEANING THE OUTSIDE OF GRILLS THAT ARE IN UNIQUE ENVIRONMENTS

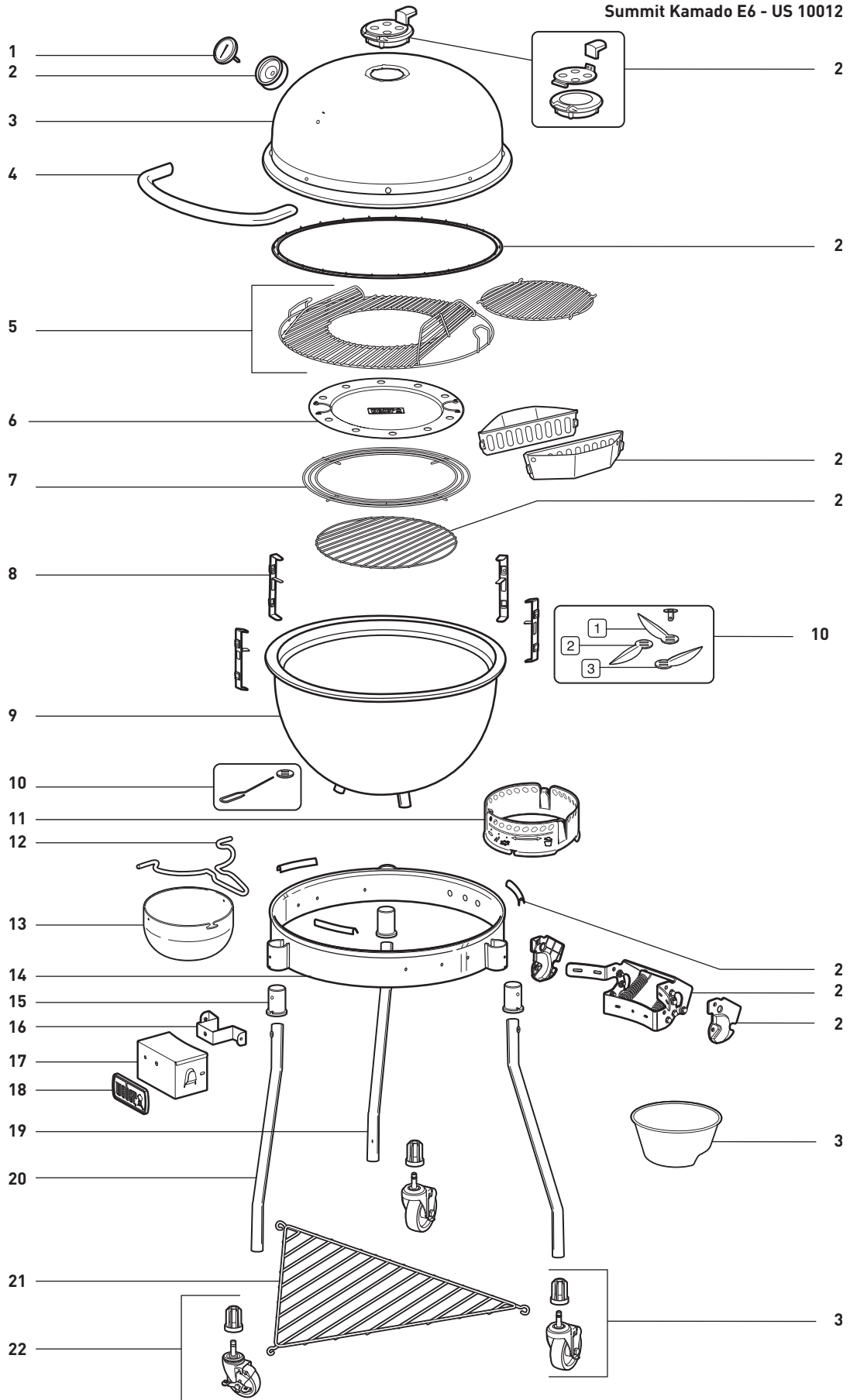
If your grill is subject to a particularly harsh environment, you will want to clean the outside more often. Acid rain, pool chemicals, and salt water can cause surface rusting to appear. Wipe down the outside of your grill with warm soapy water. Follow up with a rinse and thorough drying. Additionally, you may want to apply a non-abrasive stainless steel cleaner weekly to prevent surface rust.





# REPLACEMENT PARTS

Summit Kamado E6 - US 10012





Weber-Stephen Products LLC  
[www.weber.com](http://www.weber.com)

© 2020 Designed and engineered by Weber-Stephen Products LLC,  
1415 S. Roselle Road, Palatine, Illinois 60067 USA.





# Summit Kamado E6



No tire esta guía. La presente guía del propietario contiene información importante sobre peligros, advertencias y precauciones. Encontrará las instrucciones de armado en la guía de armado. ¡No use el asador en interiores!

Visite [weber.com](http://weber.com), seleccione su país de origen y registre su asador hoy mismo.

esMX



## El incumplimiento de las instrucciones relativas a los PELIGROS, ADVERTENCIAS y PRECAUCIONES contenidas en la presente guía del propietario podría causar lesiones graves o muertes, u originar un incendio o explosión que resultara en daños materiales.

### PELIGRO:

Indica una situación peligrosa que, de no evitarse, provocará muertes o lesiones graves.

- ⚠ El uso de este asador solo debe tener lugar al aire libre, en áreas bien ventiladas. Se prohíbe el uso en garajes, edificios, pasajes cubiertos, tiendas de campaña y otras áreas cerradas, así como debajo de techos combustibles.
- ⚠ Este asador no ha sido diseñado para usarse como calentador y no debe emplearse jamás como tal.
- ⚠ Mantenga el área destinada a la preparación de alimentos libre de vapores y líquidos inflamables, como gasolina, alcohol, etc., así como de materiales combustibles.
- ⚠ No use gasolina, alcohol ni ningún otro líquido de alta volatilidad para encender el carbón. En caso de uso de líquido de encendido para carbón (no recomendado), limpie todo el líquido que haya podido escapar por las ventilas del cuerpo del asador antes de encender el carbón.
- ⚠ No agregue líquido de encendido para carbón ni carbón impregnado en líquido de encendido para carbón sobre carbón encendido o caliente. Tape el líquido de encendido después de usarlo y colóquelo a una distancia segura del asador.
- ⚠ Si la grasa liberada por los alimentos llegara a provocar un incendio, mantenga la tapa del asador cerrada hasta que las llamas se extingan.
- ⚠ Este asador no debe ser usado jamás por niños. Algunas piezas del asador al alcance del usuario pueden estar muy calientes. Los niños y mascotas deben mantenerse alejados durante el uso del asador.
- ⚠ No coloque la funda del asador ni ningún otro objeto inflamable dentro o encima del espacio de almacenamiento localizado debajo del mismo durante el uso del asador o mientras este se encuentre caliente.

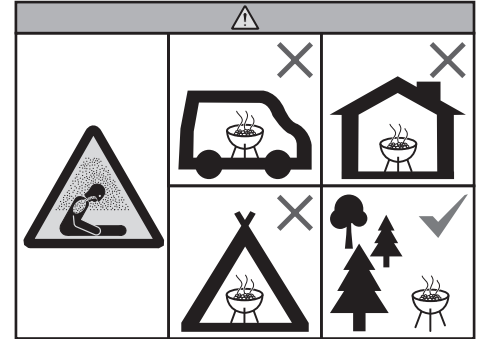
### ADVERTENCIA:

Indica una situación peligrosa que, de no evitarse, puede provocar muertes o lesiones graves.

- ⚠ El asador no debe dejarse desatendido ni desplazarse estando en funcionamiento.
- ⚠ No use el asador si no están instaladas todas las partes. El asador debe ser armado adecuadamente de acuerdo con las instrucciones de armado. Un armado incorrecto puede dar lugar a situaciones peligrosas.
- ⚠ No instale este modelo de asador en una estructura empotrada o móvil.

- ⚠ No use el asador sin el cenicero instalado.
- ⚠ No se incline sobre el asador durante el encendido o la preparación de alimentos si la tapa está abierta.
- ⚠ Use manoplas o guantes para asar resistentes al calor en todo momento durante el uso del asador.
- ⚠ Use herramientas apropiadas, equipadas con mangos largos y resistentes al calor.
- ⚠ Proceda con precaución al usar el asador. Estará muy caliente tanto durante la preparación de alimentos como al limpiarlo, por lo que no debe quedar desatendido en ningún momento.
- ⚠ Este asador alcanza temperaturas muy elevadas y no debe transportarse el funcionamiento.
- ⚠ No apoye las manos ni los dedos en el borde delantero del cuerpo mientras el asador esté caliente o la tapa esté abierta.
- ⚠ El consumo de alcohol, medicamentos (bajo supervisión médica o no) y drogas ilegales puede afectar a la capacidad del usuario para armar, trasladar, guardar y usar el asador correctamente y con seguridad.
- ⚠ Coloque siempre el carbón encima de la rejilla de combustible. No lo coloque directamente en el fondo del cuerpo ni en la placa difusora.
- ⚠ El asador deberá limpiarse a fondo de forma periódica.
- ⚠ No vierta carbón caliente en lugares de paso o en los que hacerlo represente un riesgo de incendio. No deseche las cenizas ni el carbón antes de que se hayan apagado por completo.
- ⚠ Al cocinar, el asador debe permanecer sobre una superficie nivelada y estable, en una zona libre de materiales combustibles.
- ⚠ Revise periódicamente si sus cepillos para parrillas presentan cerdas sueltas o un desgaste excesivo. Sustituya los cepillos si encuentra cerdas desprendidas en las parrillas de cocción o en los mismos cepillos. WEBER recomienda adquirir nuevos cepillos para parrillas con cerdas de acero inoxidable al principio de cada primavera.
- ⚠ No use prendas con mangas sueltas o vaporosas durante el encendido y el uso del asador.
- ⚠ Nunca toque la parrilla de cocción, la rejilla de combustible, la placa difusora, las cenizas, el carbón ni el asador para verificar si están calientes.
- ⚠ Este asador WEBER no ha sido diseñado para su instalación en el interior o encima de vehículos recreativos y/o embarcaciones.
- ⚠ No use líquidos de encendido, gasolina, alcohol ni ningún otro fluido altamente volátil para encender o volver a encender el carbón.

- ⚠ ¡ADVERTENCIA! No use este asador en espacios cerrados y/o habitables (como casas, tiendas de campaña, remolques de auto, casas móviles o embarcaciones). Peligro de muerte por inhalación de monóxido de carbono.



### PRECAUCIÓN:

Indica una situación peligrosa que, de no evitarse, puede provocar lesiones leves o moderadas.

- ⚠ No retire las cenizas hasta que se haya apagado y extinguido completamente todo el carbón y el asador esté frío.
- ⚠ Forrar el cuerpo del asador con papel de aluminio puede dificultar la circulación de aire. En su lugar, use una bandeja para escurrimientos para recoger los jugos expulsados por la carne al cocinarla indirectamente o al ahumarla.
- ⚠ No guarde el asador hasta que las cenizas y el carbón se hayan apagado por completo.
- ⚠ Este asador de gas no ha sido diseñado para uso comercial.
- ⚠ No use agua para controlar las llamaradas ni para apagar el carbón.
- ⚠ No use el asador si sopla viento fuerte.
- ⚠ Apague el carbón cuando haya terminado de cocinar. Para apagarlo, cierre la ventila del cuerpo, la tapa y el regulador RAPIDFIRE.

### PROPUESTA 65 DEL ESTADO DE CALIFORNIA

- ⚠ ADVERTENCIA: Las sustancias derivadas de la combustión que genera este producto durante su uso contienen químicos que el estado de California considera cancerígenos y causantes de defectos congénitos u otros daños reproductivos.
- ⚠ ADVERTENCIA DE LA PROPUESTA 65: La manipulación de las piezas de bronce que contiene este producto expone al usuario al contacto con plomo, un elemento químico que, según el estado de California, provoca cáncer, defectos de nacimiento y otras lesiones reproductivas. *Lávese las manos después de manipular este producto.*



Gracias por adquirir un producto WEBER. Weber-Stephen Products LLC, 1415 S. Roselle Road, Palatine, Illinois 60067, EE. UU. (en adelante, "WEBER"), se enorgullece de fabricar productos seguros, duraderos y confiables.

WEBER ofrece esta Garantía Voluntaria sin costo adicional. Aquí encontrará la información que necesitará si su producto WEBER requiere reparación, en el caso improbable de que sufra una falla o defecto.

**Según la legislación en vigor, el cliente posee diversos derechos en caso de que el producto resulte defectuoso. Tales derechos incluyen desempeño complementario o sustitución, rebaja del precio de compra y compensación. En la Unión Europea, por ejemplo, esto constituye una garantía legal de dos años a partir de la fecha de entrega del producto. Las cláusulas de esta Garantía no afectan a tales derechos legales ni a ningún otro. De hecho, esta Garantía proporciona al Propietario derechos que van más allá de los que confiere la garantía legal.**

### GARANTÍA VOLUNTARIA DE WEBER

WEBER garantiza al comprador del producto WEBER (o, en caso de regalo o situación promocional, la persona para la que haya sido adquirido como regalo o artículo promocional) que este se encontrará libre de defectos de materiales y mano de obra durante el período de tiempo especificado a continuación, siempre que el armado y uso del mismo tengan lugar de acuerdo con el Manual del Propietario que lo acompaña. (Nota: En caso de pérdida o extravío del Manual del Propietario del producto WEBER, es posible descargar un reemplazo en [www.weber.com](http://www.weber.com) o el sitio web correspondiente al país de residencia del Propietario). En las condiciones de uso y mantenimiento típicas de viviendas o departamentos unifamiliares normales y privados, WEBER acepta, en el marco de esta Garantía, reparar o sustituir las piezas defectuosas dentro de los períodos de tiempo correspondientes y según las limitaciones y exclusiones indicadas a continuación. EN LA MEDIDA EN QUE LO PERMITA LA LEGISLACIÓN APLICABLE, ESTA GARANTÍA SÓLO SERÁ VÁLIDA PARA EL COMPRADOR ORIGINAL Y NO PODRÁ TRANSFERIRSE A POSTERIORES PROPIETARIOS, EXCEPTO EN CASO DE REGALO O ENTREGA COMO ARTÍCULO PROMOCIONAL, SEGÚN LO DESCRITO ANTERIORMENTE.

### RESPONSABILIDADES DEL PROPIETARIO BAJO ESTA GARANTÍA

A fin de asegurar la debida cobertura de la Garantía, es importante (aunque no obligatorio) registrar el producto WEBER en [www.weber.com](http://www.weber.com) o el sitio web correspondiente al país de residencia del Propietario. Deben conservarse el recibo y/o la factura de compra originales. Al registrar el producto WEBER, se confirma la cobertura de la Garantía y se establece un vínculo directo con WEBER que el fabricante puede usar si necesita ponerse en contacto con el Propietario.

La Garantía anterior sólo será válida si el Propietario cuida razonablemente del producto WEBER de acuerdo con las instrucciones de armado, las instrucciones de uso y las indicaciones de mantenimiento preventivo descritas en el Manual del Propietario que lo acompaña, a menos que el Propietario pueda demostrar que la falla o el defecto no tiene relación con el incumplimiento de tales obligaciones. Si el producto se instala en una zona costera o cerca de una alberca, el lavado y enjuague periódicos de las superficies exteriores se considerarán parte del mantenimiento, según lo descrito en el Manual del Propietario.

### GESTIONES EN GARANTÍA Y SITUACIONES NO CUBIERTAS

Si cree que tiene una pieza cubierta por esta Garantía, contacte con el servicio de atención al cliente de WEBER usando la información de contacto disponible en nuestro sitio web ([www.weber.com](http://www.weber.com) o el sitio web correspondiente a su país de residencia). Luego de llevar a cabo las investigaciones que correspondan, WEBER reparará o sustituirá (a decisión propia) la pieza defectuosa cubierta por esta Garantía. En caso de que la reparación o sustitución no sea posible, WEBER podrá (a decisión propia) reemplazar el asador en cuestión por otro nuevo de igual o mayor valor. WEBER podría solicitarle que devuelva las piezas afectadas para su inspección (deberá cubrir los gastos de transporte).

Esta Garantía no cubre piezas dañadas, deterioradas, decoloradas y/u oxidadas por motivos de los que WEBER no sea responsable y tengan su origen en:

- Abuso, mal uso, alteración, modificación, uso indebido, vandalismo, negligencia, armado o instalación incorrectos, u omisión al llevar a cabo las labores normales y rutinarias de mantenimiento.
- Insectos y roedores.
- Exposición a atmósferas salinas y/o fuentes de cloro, como albercas o tinas calientes/spas.
- Condiciones meteorológicas severas, como granizo, huracanes, terremotos, tsunamis o temporales, tornados o grandes tormentas.

El uso y/o la instalación de piezas no fabricadas por WEBER en el producto WEBER es motivo de invalidación de esta Garantía, que no cubrirá los daños que resulten de tales acciones. Toda conversión de un asador de gas no autorizada por WEBER y llevada a cabo por un técnico autorizado por WEBER dará lugar a la invalidación de esta Garantía.

### PERÍODOS DE GARANTÍA DEL PRODUCTO

Tazón, tapa y sección central:  
10 años sin agrietamiento por corrosión/quemadura

Sistema de limpieza ONE-TOUCH:  
5 años sin agrietamiento por corrosión/quemadura

Componentes de plástico:  
5 años, excepto desvanecimiento o decoloración

Resto de las piezas:  
2 años

### EXENCIONES DE RESPONSABILIDAD

APARTE DE LAS GARANTÍAS Y EXENCIONES DESCRITAS COMO PARTE DE ESTA DECLARACIÓN DE GARANTÍA, NO EXISTEN OTRAS GARANTÍAS O DECLARACIONES VOLUNTARIAS DE RESPONSABILIDAD EXPLÍCITAS, MÁS ALLÁ DE LA RESPONSABILIDAD LEGAL APLICABLE A WEBER. ASIMISMO, LA PRESENTE DECLARACIÓN DE GARANTÍA NO LIMITA NI EXCLUYE AQUELLAS SITUACIONES O RECLAMACIONES DE LAS QUE WEBER DEBA HACERSE RESPONSABLE SEGÚN PRESCRIPCIÓN LEGAL.

NO SE CONSIDERARÁ VÁLIDA NINGUNA OTRA GARANTÍA UNA VEZ VENCIDA ESTA GARANTÍA. WEBER NO ASUMIRÁ NINGUNA OTRA GARANTÍA (INCLUIDAS LAS "GARANTÍAS AMPLIADAS") OFRECIDA POR NINGUNA PERSONA, DISTRIBUIDOR O AGENTE COMERCIAL, EN RELACIÓN CON NINGÚN PRODUCTO. EL ÚNICO OBJETO DE ESTA GARANTÍA ES LA REPARACIÓN O SUSTITUCIÓN DE LA PIEZA O EL PRODUCTO EN CUESTIÓN.

ESTA GARANTÍA VOLUNTARIA NO CUBRIRÁ EN NINGÚN CASO IMPORTES ECONÓMICOS SUPERIORES AL PRECIO DE COMPRA DEL PRODUCTO WEBER ADQUIRIDO.

EL USUARIO ASUME EL RIESGO Y LA RESPONSABILIDAD DERIVADOS DE AQUELLAS PÉRDIDAS, DAÑOS O LESIONES SUFRIDOS POR AQUEL Y SU PROPIEDAD Y/U OTRAS PERSONAS Y SUS PROPIEDADES QUE SE DERIVEN DEL MAL USO O ABUSO DEL PRODUCTO, O DE NO RESPETAR LAS INSTRUCCIONES INCLUIDAS EN EL MANUAL DEL PROPIETARIO QUE LO ACOMPAÑA.

LAS PIEZAS Y ACCESORIOS SUSTITUIDOS EN EL MARCO DE ESTA GARANTÍA GOZARÁN DE UN PERÍODO DE GARANTÍA EQUIVALENTE AL TIEMPO RESTANTE DEL PERÍODO DE GARANTÍA ORIGINAL INDICADO ANTERIORMENTE.

ESTA GARANTÍA SÓLO ES VÁLIDA PARA EL USO EN VIVIENDAS O DEPARTAMENTOS UNIFAMILIARES PRIVADOS, NO ASÍ PARA ASADORES WEBER DESTINADOS AL USO EN INSTALACIONES COMERCIALES, COMUNITARIAS O MULTIUNITARIAS, COMO RESTAURANTES, HOTELES, COMPLEJOS TURÍSTICOS O PROPIEDADES DE RENTA.

PUEDA SER QUE WEBER MODIFIQUE EL DISEÑO DE SUS PRODUCTOS CADA CIERTO TIEMPO. NINGUNA DE LAS ESTIPULACIONES QUE CONTIENE ESTA GARANTÍA DEBE CONSIDERARSE CONSTITUYENTE DE UNA OBLIGACIÓN POR PARTE DE WEBER DE INCORPORAR TALES CAMBIOS DE DISEÑO A PRODUCTOS FABRICADOS ANTERIORMENTE; DEL MISMO MODO, LA APLICACIÓN DE TALES CAMBIOS NO CONSTITUIRÁ UNA ADMISIÓN DEL CARÁCTER DEFECTUOSO DE LOS DISEÑOS ANTERIORES.

### Weber-Stephen Products LLC

Centro de atención al cliente  
1415 S. Roselle Road  
Palatine, IL 60067  
EE. UU.

Para adquirir piezas de repuesto, llame al teléfono:  
1-800-446-1071

### Para compras hechas en México / Para garantía acudir / Importado por:

Weber-Stephen Products S.A. de C.V.  
Anatole France 139-139A  
Colonia. Polanco III Sección  
Del. Miguel Hidalgo  
Ciudad de México  
C.P. 11540  
RFC: WPR030919-ND4

Para partes de repuesto llame a:  
01800-00-WEBER (93237)

Para hacer efectiva esta garantía es necesario llame por teléfono a los números indicados en este apartado o presentarse en los establecimientos autorizados por WEBER. Para hacer efectiva esta garantía no pueden exigirse otros requisitos más que la presentación del producto, la garantía vigente y comprobante de venta.

## ÍNDICE

- 4 Armado
- 26 Seguridad
- 27 Garantía
- 28 Sistema de asado
- 29 Características
- 30 Antes del encendido
  - Elección de un lugar apropiado para asar
  - Elección de la cantidad de carbón
  - La primera vez que use el asador
  - Preparación del asador para el encendido
- 31 Encendido del carbón
  - Encendido del carbón usando un encendedor de carbón
  - Encendido del carbón usando cubos de encendido
  - Encendido del carbón usando CHAR-BASKETS
- 32 Métodos de asado
  - Fuego directo
  - Fuego indirecto
  - Ahumado
- 35 Trucos y consejos para cocinar a la parrilla con éxito
- 36 Mantenimiento
- 37 Refacciones

Visite [www.weber.com](http://www.weber.com), seleccione su país de residencia y registre hoy mismo su asador.



# SISTEMA DE ASADO

Su asador de carbón fue creado pensando en todos los detalles. Los asadores WEBER se diseñan para que el usuario no tenga que preocuparse jamás por las llamaradas, las áreas calientes y frías, ni la comida quemada. Puede esperar un funcionamiento y control excelentes, y resultados extraordinarios siempre.

## **A** Cuerpo y tapa

El cuerpo y la tapa, de doble pared y aislados por aire, conservan el calor durante más tiempo para prolongar la cocción y mantener la temperatura bajo control. La exclusiva forma de bola del asador de carbón SUMMIT le permite cocinar realmente por convección.

## **B** Reguladores y ventilas

Uno de los factores más determinantes a la hora de cocinar con carbón es el aire. Cuanto más aire atraviesa un asador, más arde el fuego (hasta un cierto punto), provocando que el carbón se consuma mucho más rápido. La ventila del cuerpo, ubicada en la parte inferior del asador, debe permanecer abierta al cocinar a la parrilla o en la posición de ahumado al ahumar. El regulador superior se utiliza para controlar la temperatura dentro del asador; no obstante, este nunca debe cerrarse completamente.

## **C** Parrilla de cocción

Fabricada en acero inoxidable de alta resistencia, la parrilla de cocción le ofrece espacio en abundancia para cocinar sus platos favoritos.

## **D** Placa difusora

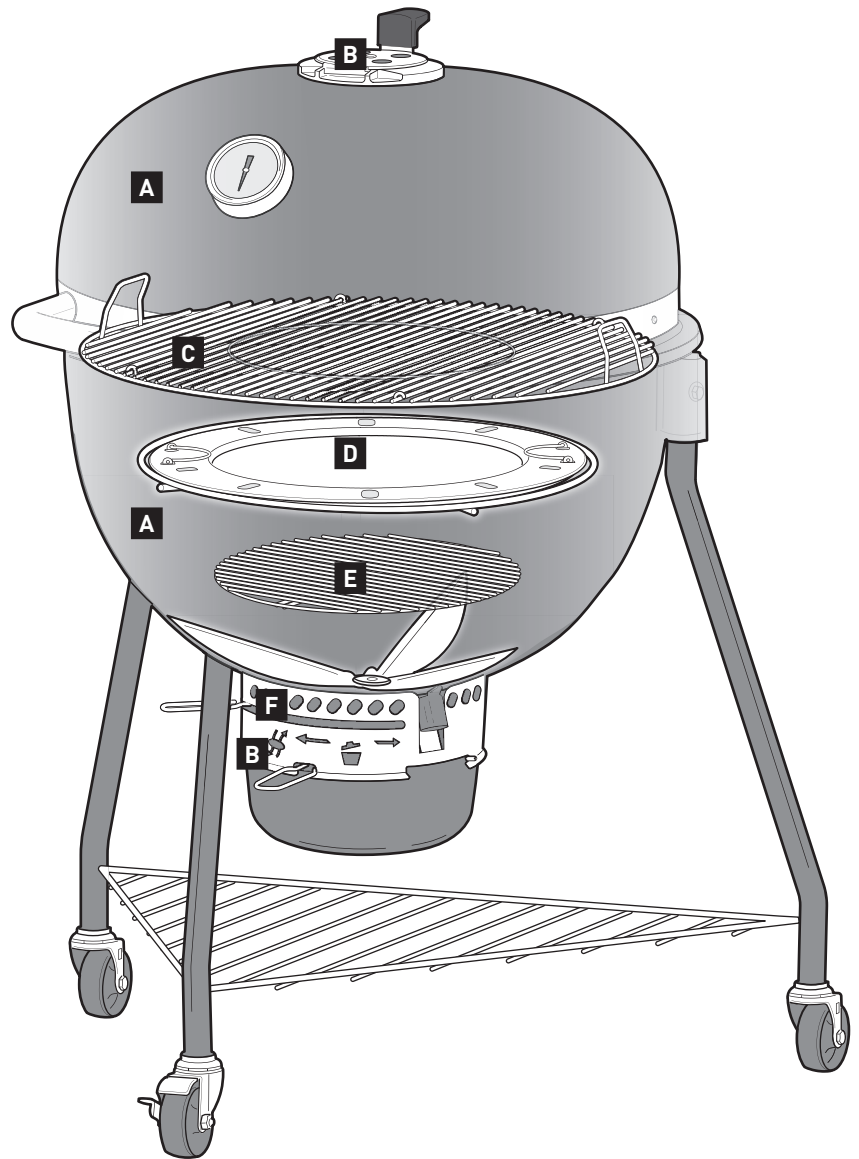
La placa difusora de acero inoxidable se usa para mantener constante la temperatura, dirigir el calor hacia los alimentos y rodearlos de humo. Siempre se usa al ahumar. No obstante, también se puede usar para maximizar el espacio de cocción al cocinar indirectamente.

## **E** Rejilla de combustible

La rejilla de combustible está diseñada para soportar el calor generado por el carbón encendido. Hecha de acero de uso rudo, esta durable rejilla no se deformará ni sufrirá efectos de la combustión. La rejilla se puede colocar en una posición elevada del cuerpo para cocinar a la parrilla y en otra más baja para ahumar.

## **F** Sistema de limpieza ONE-TOUCH

El sistema de limpieza de acero inoxidable ONE-TOUCH convierte la limpieza en un sencillo proceso. Con solo mover la palanca hacia atrás y hacia delante, las tres aspas del cuerpo transfieren las cenizas desde el fondo del asador hasta el cenicero de alta capacidad para que deshacerse de ellas sea una tarea rápida e higiénica. Las mismas aspas funcionan como regulador de ventilación del cuerpo del asador suministrando oxígeno al fuego o permitiéndole extinguirlo fácilmente.



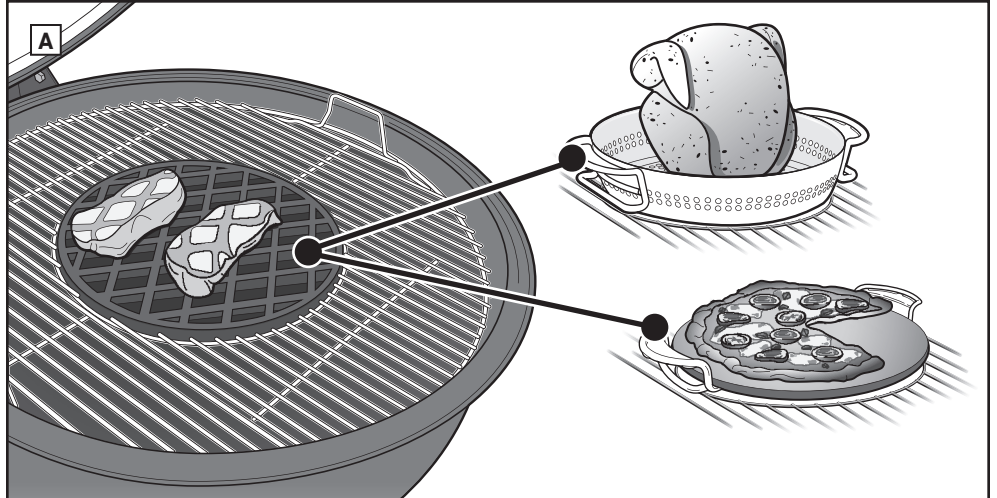


# CARACTERÍSTICAS

El asador WEBER SUMMIT KAMADO E6 no es un asador cualquiera. Sus extraordinarias características e innovador diseño le permiten cocinar y ahumar los alimentos cómoda y fácilmente.

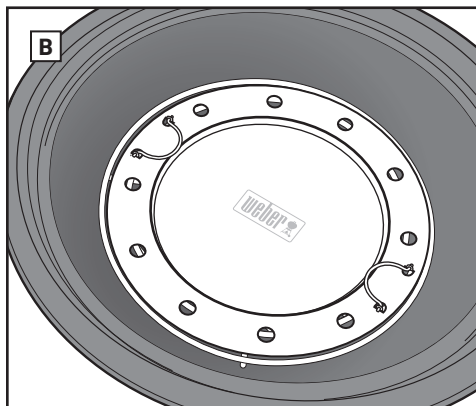
## A GOURMET BBQ SYSTEM

La parrilla de cocción GOURMET BBQ SYSTEM es la parrilla central de forma circular en el interior de la parrilla de cocción articulada. Es extraíble y puede reemplazarse con cualquiera de los accesorios WEBER GOURMET BBQ SYSTEM (de venta por separado). Para conocer la gama completa de accesorios GOURMET BBQ SYSTEM, visite nuestro sitio web en: [www.weber.com](http://www.weber.com).



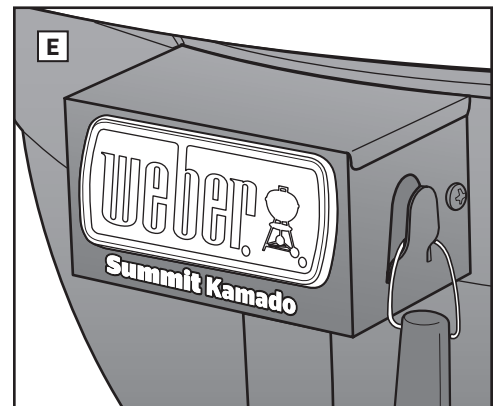
## B Placa difusora de acero inoxidable

Esta placa difusora especialmente diseñada se utiliza específicamente para ahumar alimentos, así como para la cocción indirecta.



## C Termómetro integrado

El resistente termómetro integrado en la tapale permite controlar fácilmente la temperatura del asador. La zona de "ahumado" del termómetro indica cuándo se ha alcanzado la temperatura ideal para ahumar.



## D Cenicero de alta capacidad

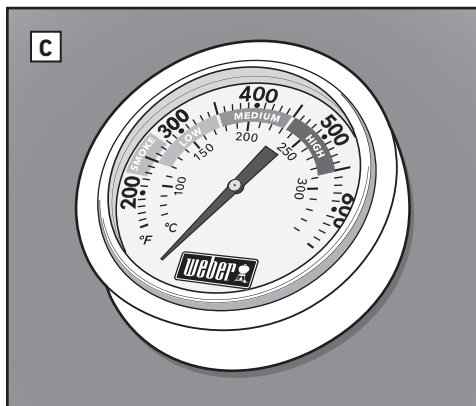
El cenicero de alta capacidad, perfectamente aislado, evita que vuelen las cenizas y se separa fácilmente para deshacerse de ellas rápidamente y con limpieza.

## E Asas portautensilios

Los ganchos portautensilios integrados le permiten colgar cómodamente los utensilios.

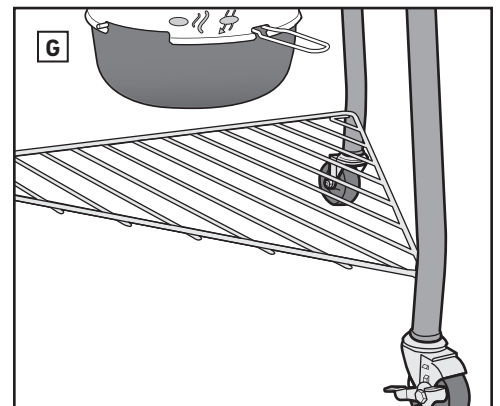
## F Ventiladores del cuerpo para cocinar a baja temperatura

La nueva forma de los ventiladores del cuerpo garantiza el flujo de aire perfecto para cocinar a baja temperatura. (No se muestra en las ilustraciones)



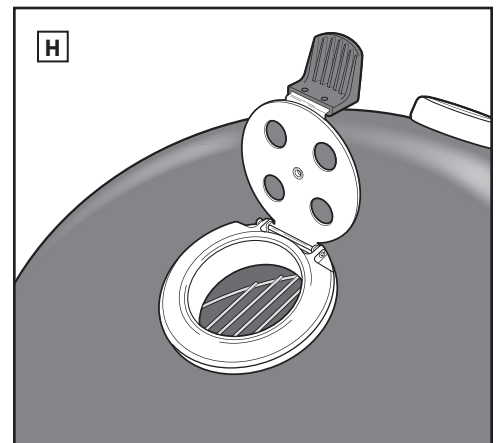
## G Soporte de rejilla inferior

El soporte de rejilla inferior (G) proporciona más espacio de almacenamiento.



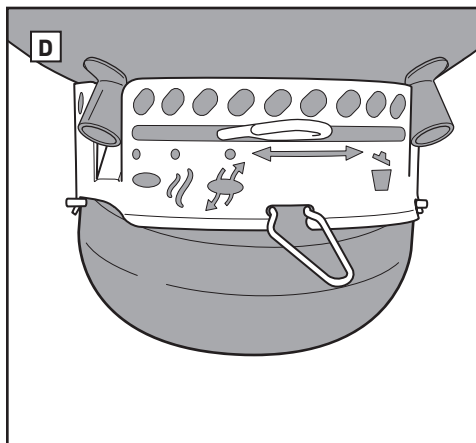
## H Regulador RAPIDFIRE

El regulador RAPIDFIRE con bisagras maximiza el flujo de aire e incrementa rápidamente la temperatura para que todo esté listo para cocinar en menos de 20 minutos. También contribuye a recuperar la temperatura con rapidez.



## I Bisagra Easy-Open

La tapa del asador incorpora una bisagra con resorte que permite abrirla y cerrarla fácilmente y con seguridad. La bisagra impide que la tapa se cierre bruscamente, evitando así posibles lesiones o daños a el asador. (No se muestra en las ilustraciones)





# ANTES DEL ENCENDIDO

## Elección de un lugar apropiado para asar

- Este asador solo se debe usar al aire libre, en áreas bien ventiladas. Se prohíbe el uso en cocheras, edificios, pasillos cubiertos u otras áreas cerradas.
- Mantenga el asador en todo momento sobre una superficie firme y nivelada.
- No use el asador a menos de 1.5 m de cualquier material combustible. Se consideran materiales combustibles, entre otros, las plataformas, patios y porches de madera o madera tratada.

## Elección de la cantidad de carbón

La cantidad de carbón o briquetas a elegir dependerá de lo que se vaya a asar y del tamaño de su asador. Para cocinar piezas pequeñas y tiernas que requieran menos de 20 minutos, consulte la tabla **Carbón necesario para fuego directo**. Para cocinar a la parrilla o ahumar piezas más grandes que requieran 20 minutos o más, o alimentos delicados, consulte la tabla **Carbón necesario para fuego indirecto**. Para más información acerca de la diferencia entre el asado directo y el asado indirecto, consulte las secciones **MÉTODOS DE ASADO**.

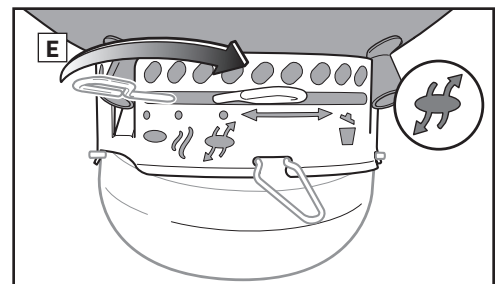
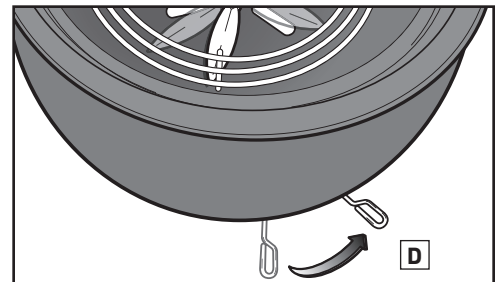
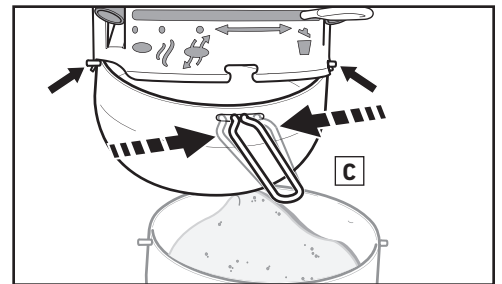
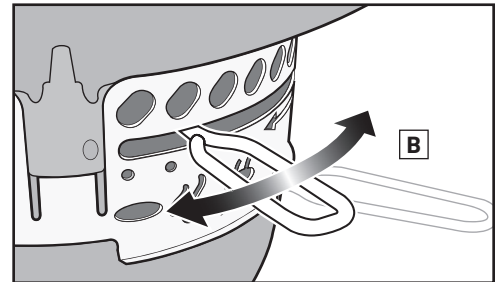
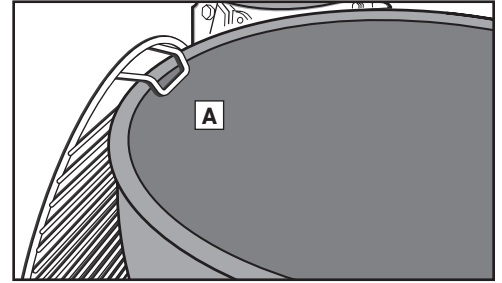
## La primera vez que use el asador

Se recomienda calentar el asador y mantener el combustible al rojo vivo con la tapa puesta durante al menos 30 minutos antes de cocinar por primera vez con la finalidad de incinerar los residuos del proceso de fabricación.

## Preparación del asador para el encendido

1. Abra la tapa.
2. Extraiga la parrilla de cocción del asador. Para mayor comodidad, cuelgue la parrilla de cocción en el cuerpo del asador por sus asas curvadas (A).
3. Saque la rejilla para carbón (inferior) y limpie el fondo del cuerpo del asador de cenizas y terrones de carbón. El carbón requiere oxígeno para arder, así que asegúrese de que nada obstruya las ventilas. Usando el sistema de limpieza ONE-TOUCH, mueva la palanca hacia atrás y hacia adelante para pasar las cenizas del fondo del asador al cenicero (B).
4. Sujete el mango del cenicero para sacarlo del asador (C).
5. Abra la ventila del cuerpo moviendo el mango al tope derecho (D) o a la posición de apertura (E).
6. Vuelva a instalar la rejilla para carbón (inferior).

*Nota: Las instrucciones para el uso de líquidos de encendido se han excluido deliberadamente de esta guía del propietario. Los líquidos de encendido son incómodos y pueden transmitir un sabor a químico a los alimentos, lo cual no sucede con los cubos de encendido (a la venta por separado). Si prefiere usar un líquido de encendido, siga las instrucciones del fabricante y NUNCA lo aplique directamente sobre las llamas.*



## Carbón necesario para fuego directo

Briquetas de carbón	Carbón vegetal*	Briquetas WEBER
60 briquetas (1.5 cubetas)	3.5 cubetas	40 briquetas (1 cubeta)

\* Use la cubeta medidora incluida con el asador para medir las cantidades de carbón.

## Carbón necesario para fuego indirecto

Briquetas de carbón necesarias para la primera hora (por lado)	Briquetas de carbón a agregar por cada hora adicional (por lado)
30 briquetas (0.75 cubetas)	9 briquetas (0.25 cubetas)

Carbón vegetal* necesario para la primera hora (por lado)	Carbón vegetal* a agregar por cada hora adicional (por lado)
2 cubetas	0.5 cubetas

Briquetas WEBER necesarias para la primera hora (por lado)	Briquetas WEBER a agregar por cada hora adicional (por lado)
20 briquetas (0.5 cubetas)	8 briquetas (0.25 cubetas)

\* Use la cubeta medidora incluida con el asador para medir las cantidades de carbón.



# ENCENDIDO DEL CARBÓN

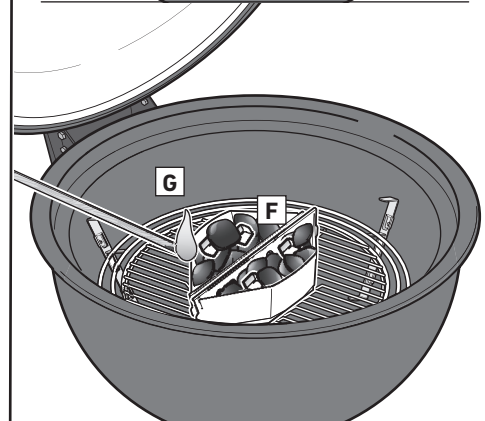
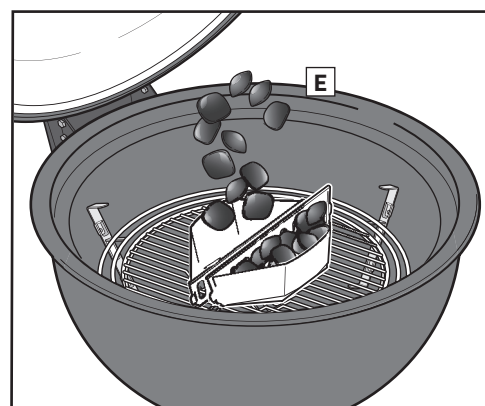
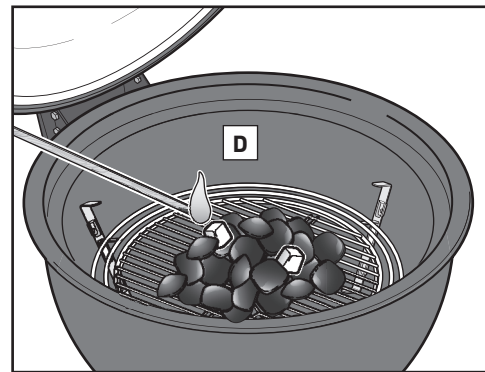
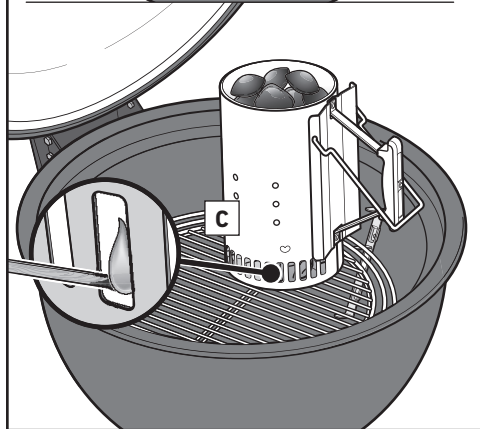
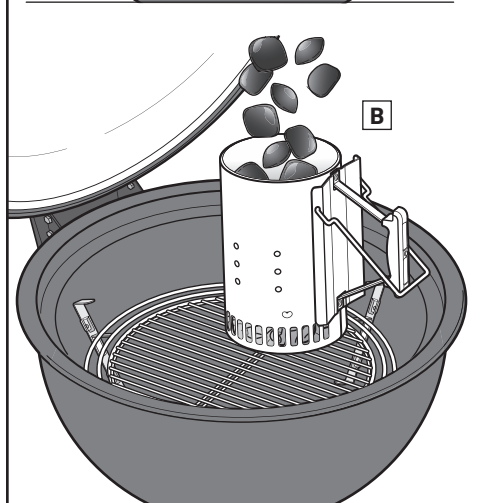
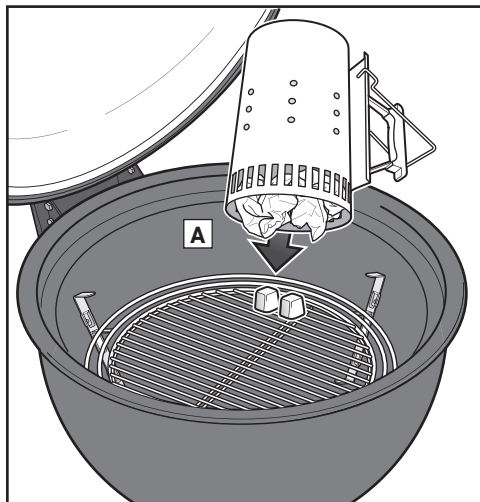
## Encendido del carbón usando un encendedor de carbón

La forma más sencilla de encender cualquier tipo de carbón es usar un encendedor de carbón: el encendedor de carbón WEBER RAPIDFIRE (a la venta por separado). Consulte las precauciones y advertencias incluidas con el encendedor de carbón RAPIDFIRE antes de encender carbón. Cuando encienda el carbón, asegúrese de que todos los reguladores estén completamente abiertos.

1. Introduzca un par de hojas de papel de periódico arrugado en el fondo del encendedor de carbón y colóquelo en la rejilla para carbón (A); alternativamente, ponga unos cuantos cubos de encendido en el centro de la rejilla para carbón y coloque el encendedor de carbón sobre ellos.
2. Llene el encendedor de carbón con carbón (B).
3. Encienda los cubos de encendido o el periódico a través de los orificios que se ubican por un lado del encendedor de carbón (C).
4. Mantenga el encendedor de carbón en su lugar hasta que el carbón esté completamente encendido. Sabrá cuándo se ha encendido por completo el carbón porque se cubrirá con una capa de ceniza blanca. Esto puede tardar entre 15 y 30 minutos. Nunca cierre la tapa con el encendedor de carbón dentro del asador.

*Nota: Los cubos de encendido usados deben haberse consumido totalmente y el carbón debe haberse cubierto con una capa de ceniza antes de poner alimentos en la parrilla de cocción.*

5. Cuando el carbón esté completamente encendido, siga las instrucciones descritas en las páginas siguientes acerca de la distribución del carbón y del inicio de la cocción según el método de cocción que desee aplicar.



## Encendido del carbón usando cubos de encendido

Cuando encienda el carbón, asegúrese de que todos los reguladores del cuerpo y la tapa estén completamente abiertos.

1. Forme una pirámide con el carbón en medio de la rejilla para carbón (inferior) e inserte un par de cubos de encendido (a la venta por separado) en la pirámide (D).
2. Prenda los cubos de encendido con un encendedor de cocina o un cerillo largo. Los cubos de encendido prenderán entonces el carbón.
3. Espere hasta que el carbón esté completamente encendido. Sabrá cuándo se ha encendido por completo el carbón porque se cubrirá con una capa de ceniza blanca. Esto puede tardar entre 15 y 30 minutos.

*Nota: Los cubos de encendido usados deben haberse consumido totalmente y el carbón debe haberse cubierto con una capa de ceniza antes de poner alimentos en la parrilla de cocción.*

4. Cuando el carbón esté completamente encendido, siga las instrucciones descritas en las páginas siguientes acerca de la distribución del carbón y del inicio de la cocción según el método de cocción que desee aplicar.

## Encendido del carbón usando CHAR-BASKETS

Cuando encienda el carbón, asegúrese de que todos los reguladores del cuerpo y la tapa estén completamente abiertos.

1. Coloque las CHAR-BASKETS en el centro de la rejilla para carbón y llénelas de carbón (E).
2. Inserte un par de cubos de encendido (a la venta por separado) en cada una de las CHAR-BASKETS (F). Asegúrese de anidarlos en el carbón.
3. Prenda los cubos de encendido con un encendedor de cocina o un cerillo largo. Los cubos de encendido prenderán entonces el carbón (G).

4. Espere hasta que el carbón esté completamente encendido. Sabrá cuándo se ha encendido por completo el carbón porque se cubrirá con una capa de ceniza blanca. Esto puede tardar entre 15 y 30 minutos.

*Nota: Los cubos de encendido usados deben haberse consumido totalmente y el carbón debe haberse cubierto con una capa de ceniza antes de poner alimentos en la parrilla de cocción.*

5. Cuando el carbón esté completamente encendido, siga las instrucciones descritas en las páginas siguientes acerca de la distribución del carbón y del inicio de la cocción según el método de cocción que desee aplicar.

⚠ Use guantes para asar resistentes al calor al cocinar, ajustar las ventilas (reguladores), agregar carbón y manipular el termómetro o la tapa.

⚠ No cierre la tapa con el encendedor de carbón dentro del asador.



# MÉTODOS DE ASADO: FUEGO DIRECTO

El asador WEBER SUMMIT KAMADO puede usarse para tres métodos de cocción: fuego directo, fuego indirecto y ahumado. Antes de continuar, determine el método de cocción más adecuado y siga las instrucciones correspondientes descritas en esta guía del propietario.

*NOTA: Cocinar a la parrilla en climas fríos o a mayor altitud prolongará el tiempo de cocción. Las condiciones climáticas de viento aumentarán la temperatura del asador.*

## ASADO A FUEGO DIRECTO

Use el método directo para cocinar alimentos de pequeño tamaño que requieran menos de 20 minutos de cocción, como hamburguesas, filetes, chuletas, brochetas, piezas de pollo sin hueso, filetes de pescado, mariscos y verduras en rodajas.

Con fuego directo, el fuego se localiza justo debajo del alimento (A). La superficie se sella, se desarrollan los sabores y texturas, y tiene lugar una deliciosa caramelización, mientras que el alimento se cocina hasta el centro.

El fuego directo crea calor radiante y conductivo. El calor radiante del carbón cocina rápidamente la superficie del alimento más cercano a este. Al mismo tiempo, el fuego calienta las varillas de la parrilla de cocción, que conducen el calor directamente hasta la superficie del alimento y crean esas inconfundibles y atractivas marcas de parrilla.

## Preparación del asador para fuego directo

1. Coloque el aro de soporte (B) en la posición intermedia del cuerpo; coloque entonces la rejilla para carbón (C) en el centro del aro de soporte.
2. Encienda el carbón. Consulte la sección "ENCENDIDO DEL CARBÓN" de la guía del propietario.

*NOTA: La tapa, los reguladores y las ventilas deben permanecer abiertos durante el encendido del carbón.*

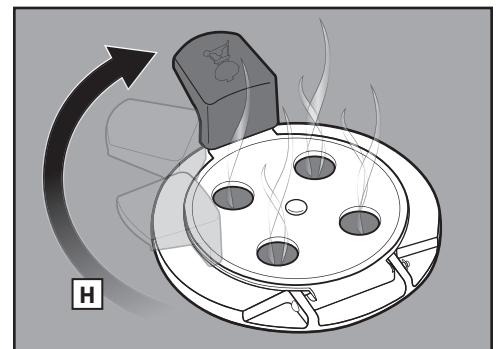
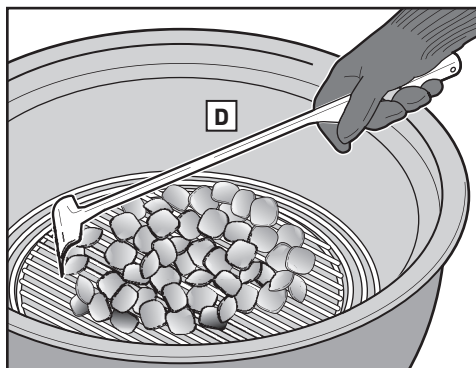
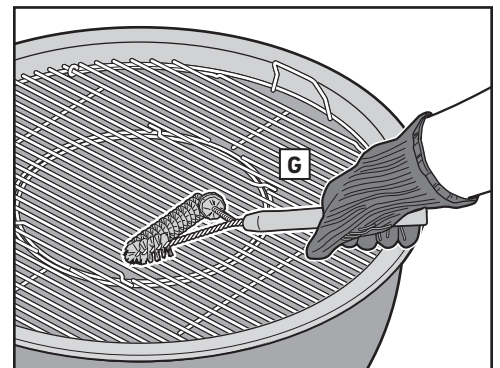
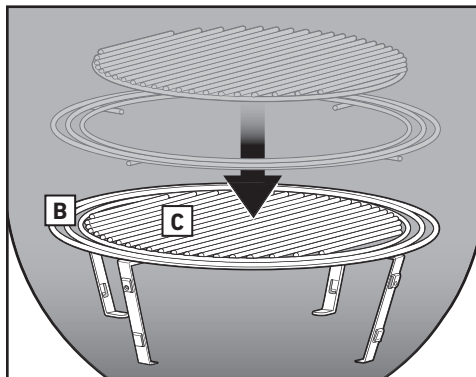
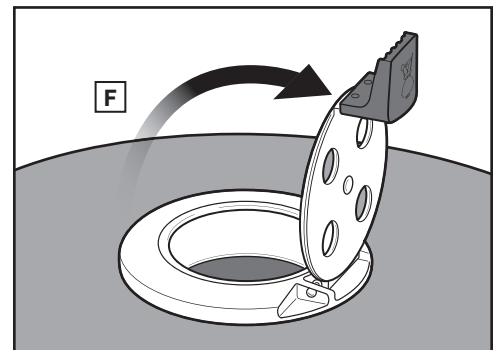
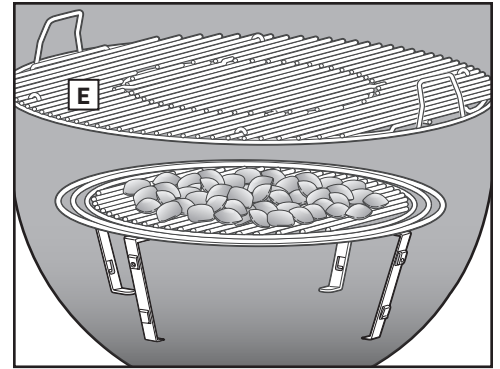
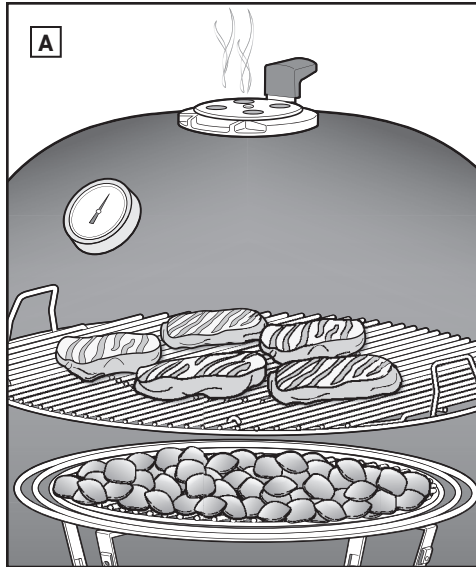
3. Una vez que se haya encendido el carbón, use manoplas o guantes para asar. Distribuya el carbón uniformemente por la rejilla para carbón (D) usando unas pinzas largas o un rastrillo para carbón. Asegúrese de que el carbón encendido permanezca en contacto con el que no se haya encendido todavía.
4. Coloque la parrilla de cocción en la posición superior del cuerpo del asador (E).
5. Cierre la tapa del asador y abra completamente el regulador RAPIDFIRE (F).
6. Precaliente la parrilla de cocción durante, aproximadamente, 5-10 minutos, o hasta que el asador alcance la temperatura deseada.
7. Cuando la parrilla de cocción se haya precalentado, límpiela usando un cepillo para parrillas con cerdas de acero inoxidable o un rascador (G).

*NOTA: Si usa un cepillo para parrillas con cerdas de acero inoxidable y encuentra cerdas desprendidas en la parrilla de cocción o en el mismo cepillo, sustitúyalo.*

8. Coloque los alimentos en la parrilla de cocción y cierre la tapa del asador. Gire el regulador RAPIDFIRE para aumentar o reducir el fuego en el interior del asador (H). Consulte los tiempos de cocción y temperaturas recomendados en la receta. Consulte el termómetro de la tapa para controlar la temperatura interna del asador.

## Una vez que haya terminado de cocinar

Cierre el regulador de la tapa y las ventilas del cuerpo del asador para apagar el carbón.







# MÉTODOS DE ASADO: FUEGO INDIRECTO

## ASADO A FUEGO INDIRECTO

Use el método indirecto para cortes de carne más gruesos que requieran un tiempo de cocción superior a 20 minutos o alimentos tan delicados que la exposición directa al fuego pudiera secalarlos o quemarlos, como piezas rostizadas, trozos de pollo con hueso, pescados enteros, filetes de pescado delicados, pollos o pavos enteros y costillas. El fuego indirecto se puede usar también para acabar alimentos muy gruesos o cortes con hueso previamente sellados o dorados con fuego directo.

Con el fuego indirecto, el fuego se localiza en los dos lados del asador (A) o solo en uno de ellos. El alimento se coloca en la parte de la parrilla de cocción que no tiene carbón directamente debajo.

El calor radiante y el conductivo actúan también en este caso, pero no con tanta intensidad. Sin embargo, cuando la tapa del asador está cerrada (como debe ser), se genera también otro tipo de calor: calor por convección. La temperatura aumenta, el calor se refleja en la tapa y las superficies interiores del asador, y circula para cocinar el alimento lenta y uniformemente por todas partes. El calor por convección no sella la superficie del alimento del modo en que lo hacen el calor radiante y el conductivo. En su lugar, cocina más despacio hasta el núcleo del alimento, como lo hace un horno.

*NOTA: Cocinar a la parrilla en climas fríos o a mayor altitud prolongará el tiempo de cocción. Las condiciones climáticas de viento aumentarán la temperatura del asador.*

## Preparación del asador para fuego indirecto

1. Coloque el aro de soporte (B) en la posición intermedia del cuerpo; coloque entonces la rejilla para carbón (C) en el centro del aro de soporte.
2. Encienda el carbón. Consulte la sección "ENCENDIDO DEL CARBÓN" de la guía del propietario.

*NOTA: La tapa, los reguladores y las ventilas deben permanecer abiertos durante el encendido del carbón.*

3. Una vez que se haya encendido el carbón, use manoplas o guantes para asar. Use pinzas largas para separar las CHAR-BASKETS de forma que se coloquen a ambos lados de la comida (D).

*NOTA: Se recomienda colocar una bandeja para escurrimientos desechable entre las CHAR-BASKETS para recoger los jugos y simplificar la limpieza posterior.*

*NOTA: Este asador también tiene espacio de cocción suficiente como para cocinar directa e indirectamente a la vez. Colocando ambas CHAR-BASKETS a un lado del asador, es posible cocinar directamente sobre ellas y usar el otro lado de la parrilla de cocción para hacerlo indirectamente.*

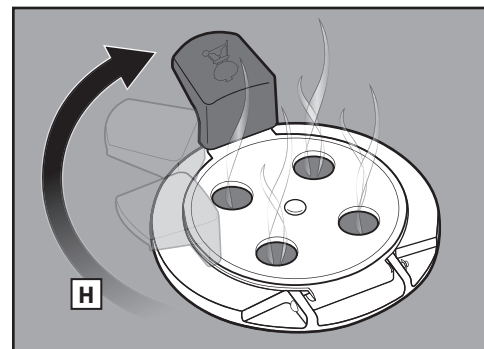
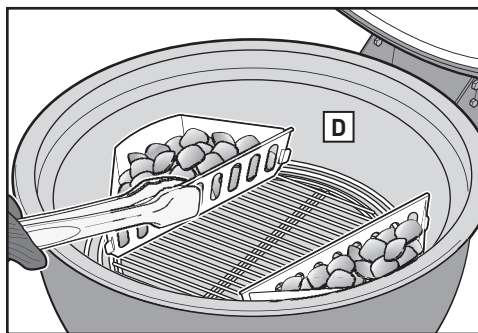
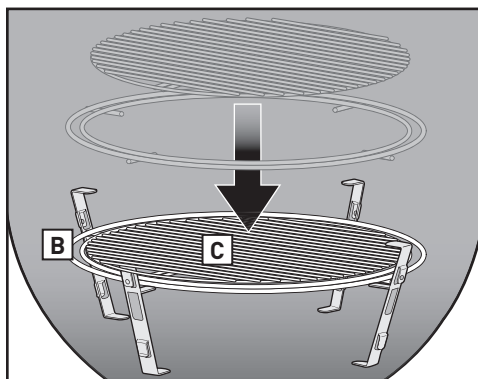
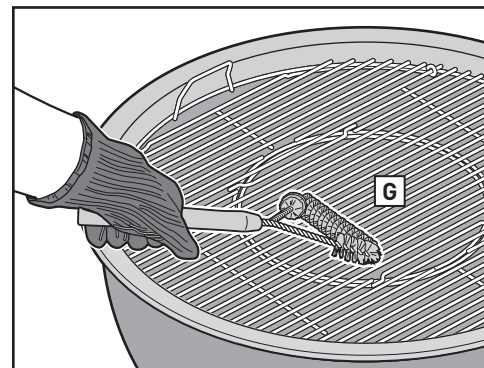
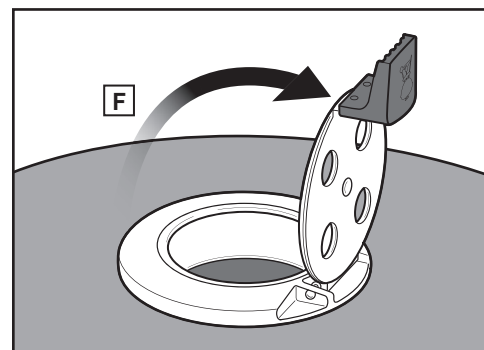
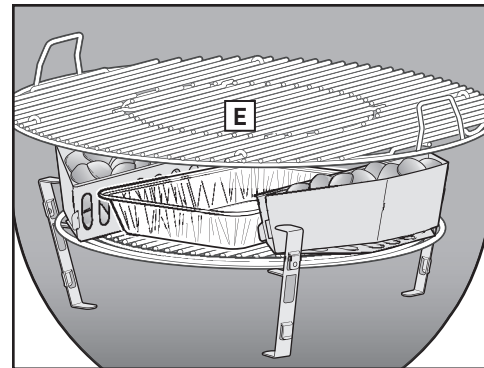
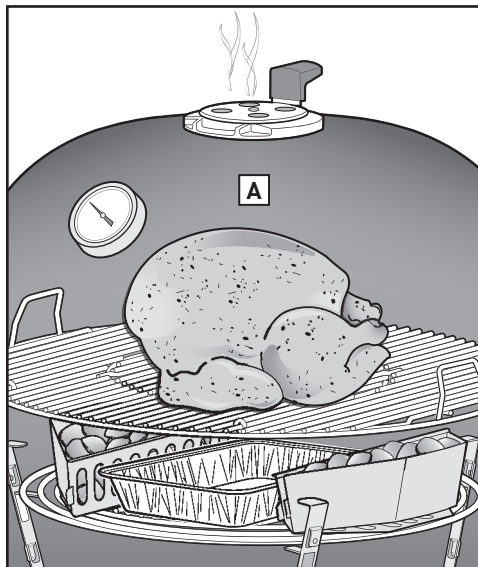
4. Coloque la parrilla de cocción en la posición superior del cuerpo, asegurándose de que las secciones con bisagras estén sobre las CHAR-BASKETS (E) para agregar más carbón si es necesario.
5. Cierre la tapa del asador y abra completamente el regulador RAPIDFIRE (F).
6. Precaliente la parrilla de cocción durante, aproximadamente, 5-10 minutos, o hasta que el asador alcance la temperatura deseada.
7. Cuando la parrilla de cocción se haya precalentado, límpiela usando un cepillo para parrillas con cerdas de acero inoxidable o un rascador (G).

*NOTA: Si usa un cepillo para parrillas con cerdas de acero inoxidable y encuentra cerdas desprendidas en la parrilla de cocción o en el mismo cepillo, sustitúyalo.*

8. Coloque los alimentos en la parrilla de cocción entre las CHAR-BASKETS y cierre la tapa del asador. Gire el regulador RAPIDFIRE para aumentar o reducir el fuego en el interior del asador (H). Consulte los tiempos de cocción y temperaturas recomendados en la receta. Consulte el termómetro de la tapa para controlar la temperatura interna del asador.

## Una vez que haya terminado de cocinar

Cierre el regulador de la tapa y las ventilas del cuerpo del asador para apagar el carbón.





# MÉTODOS DE ASADO: AHUMADO

## AHUMADO

Ahumar consiste en cocinar alimentos a baja temperatura durante períodos prolongados de tiempo empleando trozos o astillas de madera natural (A). Esta técnica se conoce también como "método low'n'slow". Al cocinar low'n'slow, los jugos y sabores se mantienen dentro de los alimentos, dando lugar a piezas de carne extremadamente tiernas. El ahumado resulta ideal para cortes grandes de carne como brisket, pavos enteros, paleta de cerdo, costillas y pollos enteros.

*NOTA: Cocinar a la parrilla en climas fríos o a mayor altitud prolongará el tiempo de cocción. Las condiciones climáticas de viento aumentarán la temperatura del asador.*

## Preparación del asador para el ahumado

1. Coloque la rejilla para carbón (B) en el fondo del cuerpo; luego ponga el aro de soporte en la posición intermedia del cuerpo (C).

*NOTA: 35-45 briquetas proporcionarán 8-10 horas de cocción. Para los alimentos que requieren más tiempo de cocción, se necesitará más carbón. Consulte la tabla "Carbón necesario según tiempos de ahumado y cocción" para obtener más información.*

2. Encienda el carbón. Consulte la sección "ENCENDIDO DEL CARBÓN" de la guía del propietario.

*NOTA: La tapa, los reguladores y las ventilas deben permanecer abiertos durante el encendido del carbón.*

3. Una vez que se haya encendido el carbón, use manoplas o guantes para asar. Usando unas pinzas largas, agregue trozos o astillas de madera WEBER alrededor del carbón encendido (D).

4. Inserte la placa difusora en el centro del aro de soporte (E).

*NOTA: Se recomienda colocar una bandeja para escurrimientos desechable sobre la placa difusora para recoger los jugos y simplificar la limpieza posterior. Coloque dos bandejas para escurrimientos si va a ahumar grandes piezas de carne.*

5. Coloque la parrilla de cocción en la posición superior del cuerpo del asador (F).

6. Cierre la tapa del asador.

7. Cuando el asador alcance la zona de ahumado en el termómetro (G), coloque la palanca de ventilación del cuerpo en la posición de ahumado (H) y gire el regulador RAPIDFIRE (I) según corresponda para mantener la temperatura de ahumado recomendada.

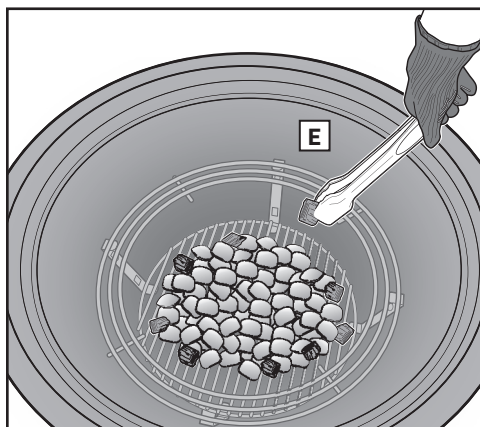
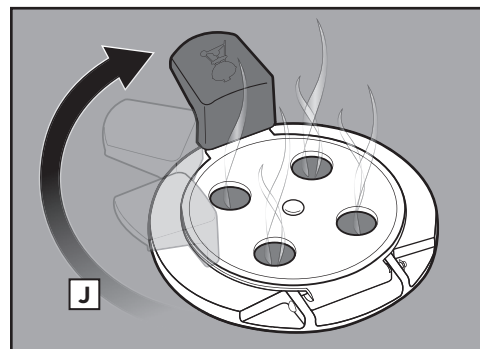
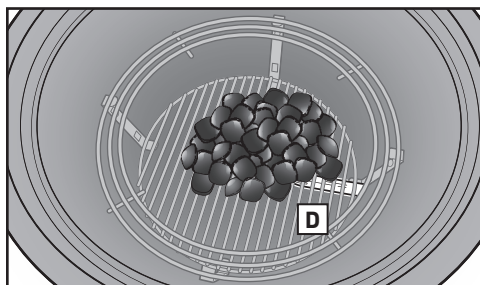
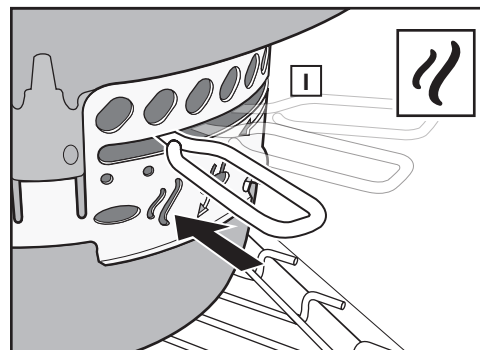
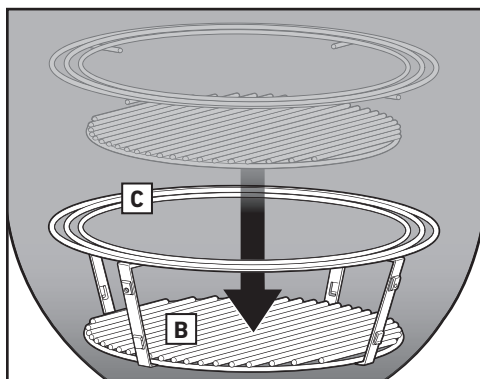
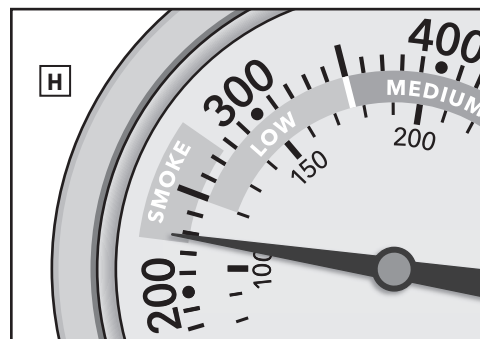
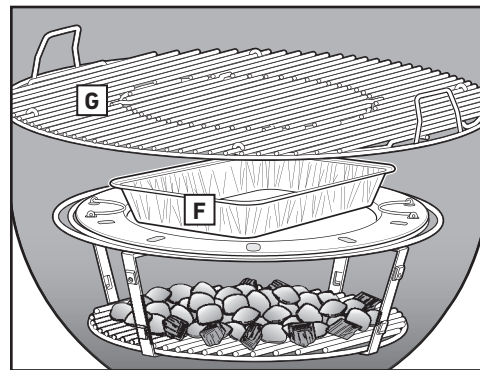
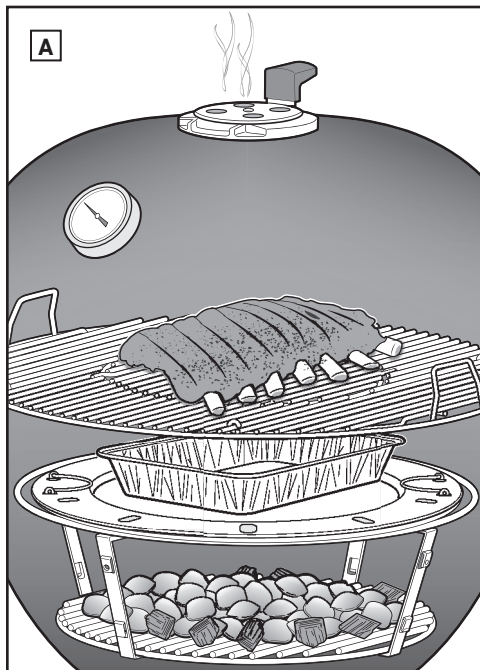
8. Abra la tapa del asador y limpie la parrilla de cocción usando un cepillo para parrillas con cerdas de acero inoxidable o un rascador.

*NOTA: Si usa un cepillo para parrillas con cerdas de acero inoxidable y encuentra cerdas desprendidas en la parrilla de cocción o en el mismo cepillo, sustitúyalo.*

9. Coloque el alimento en el centro de la parrilla de cocción. Consulte los tiempos de cocción recomendados en la receta.

## Una vez que haya terminado de cocinar

Cierre el regulador de la tapa y las ventilas del cuerpo del asador para apagar el carbón.





# MÉTODOS DE ASADO: AHUMADO

## Carbón necesario según tiempos de ahumado y cocción

	Peso	Tiempo de cocción	Briquetas de carbón	Trozos de madera
PESCADOS	0.45-1.36 kg	1-2.5 horas	60-80 briquetas (1.75 cubetas)	2-4
	1.36-2.7 kg	2.5-4 horas	60-80 briquetas (1.75 cubetas)	2-4
AVES	0.9-1.36 kg	2-3.5 horas	60-80 briquetas (1.75 cubetas)	1-3
	1.81-3.62 kg	3.5-4 horas	80-100 briquetas (2.25 cubetas)	2-4
	3.62-5.44 kg	4-5 horas	80-100 briquetas (2.25 cubetas)	3-4
	5.44-8.1 kg	8-10 horas	100-120 briquetas (2.75 cubetas)	3-5
CERDO	1.81-3.62 kg	5-8 horas	80-100 briquetas (2.25 cubetas)	3-4
	3.62-5.44 kg	8-12 horas	100-120 briquetas (2.75 cubetas)	3-5
RES	1.81-3.62 kg	7-12 horas	80-120 briquetas (2.5 cubetas)	3-5
	3.62-5.44 kg	12-18 horas	120-140 briquetas (3.25 cubetas)	3-5

Los tiempos de cocción para ternera se basan en la definición de cocción al punto de la USDA. Los tiempos de cocción indicados son válidos para alimentos completamente descongelados. Los pesos, las cantidades de carbón y los tiempos de cocción tienen por objeto servir como guías más que como reglas absolutas. Factores como la altitud, el viento y la temperatura exterior pueden influir en los tiempos de cocción.

⚠ADVERTENCIA: Nunca use carbón impregnado con líquido de encendido para carbón.

## Tipos de madera para ahumar

Tipo de madera	Características	Combina con
<b>Manzano</b>	SUTIL Ligeramente dulce, con un denso y afrutado sabor a humo.	Pescado Aves Cerdo (especialmente, jamón) Verduras
<b>Cerezo</b>	SUTIL Ligeramente dulce, con un afrutado sabor a humo.	Pescado Aves Cerdo Verduras
<b>Nogal</b>	RICO Penetrante y ahumado, con notas de tocino.	Pollo Cerdo Ternera
<b>Haya</b>	SUTIL Delicado, con un dulce sabor ahumado.	Pescado Pollo Cerdo Cordero Verduras
<b>Pecanero</b>	RICO Penetrante y con un sabor meloso. Ideal para ahumar a muy baja temperatura.	Pescado Pollo Cerdo Cordero Ternera
<b>Mezquite</b>	PRONUNCIADO Intenso sabor a humo muy perceptible, con final al borde de lo amargo.	Cerdo Cordero Ternera

## TRUCOS Y CONSEJOS PARA COCINAR A LA PARRILLA CON ÉXITO

### Elección de un lugar apropiado para asar

- Este asador solo se debe usar al aire libre, en áreas bien ventiladas. Se prohíbe el uso en cocheras, edificios, pasillos cubiertos u otras áreas cerradas.
- Mantenga el asador en todo momento sobre una superficie firme y nivelada.
- No use el asador a menos de 61 cm de cualquier material combustible. Se consideran materiales combustibles, entre otros, las plataformas, patios y porches de madera o madera tratada.

### Precaletamiento del asador

El precaletamiento del asador es un factor clave al cocinar con fuego directo o fuego indirecto y al ahumar. Cuando el asador se ha precaletado, el calor desprende los restos de alimentos adheridos a la rejilla, permitiendo limpiarlos fácilmente con un cepillo para parrillas con cerdas de acero inoxidable o un rascador de madera. El precaletamiento contribuye también a calentar la parrilla de cocción lo suficiente como para sellar correctamente los alimentos e impide que estos se peguen a ella.

### Uso de guantes

Siempre use unos guantes para asar al utilizar su asador de carbón. Las ventilas, los reguladores, las manijas y el cuerpo del asador se calentarán durante el proceso de asado, por lo que debe asegurarse de mantener protegidos sus antebrazos y manos.

### Encendido del carbón

WEBER recomienda usar un encendedor de carbón (a la venta por separado) y cubos de encendido (a la venta por separado) para encender el carbón. Absténgase de usar líquidos de encendido: son difíciles de controlar y transfieren un desagradable sabor a químico a los alimentos.

### Mejor engrasar los alimentos que la parrilla

Engrase ligeramente los alimentos para que queden más sabrosos y jugosos, evitando al mismo tiempo que se peguen a la parrilla. No se recomienda engrasar la parrilla, ya que ello podría dar lugar a llamaradas innecesarias.

### Con la tapa puesta

Mantenga la tapa cerrada el máximo tiempo posible por las siguientes razones:

- Mantiene la parrilla lo suficientemente caliente como para sellar los alimentos al cocinar directamente.
- El sabor ahumado que se produce cuando la grasa y los jugos se vaporizan en la parrilla se queda adentro del asador.
- Limitar el oxígeno previene las llamaradas.

### Placa difusora: qué hacer y qué no

Al ahumar, la placa difusora contribuye a mantener baja y constante la temperatura, haciendo circular el calor y el humo alrededor de los alimentos. No obstante, la placa difusora es útil también al cocinar indirectamente para maximizar el espacio de cocción. No coloque alimentos ni combustible directamente sobre la placa difusora.

### Las llamas, a raya

Las llamaradas son inevitables e incluso beneficiosas, pues sellan la superficie de los alimentos. No obstante, un exceso de llamaradas puede llegar a quemarlos. Mantener la tapa cerrada el mayor tiempo posible limita el volumen de oxígeno en el interior del asador, lo cual contribuye a extinguir las posibles llamaradas. Si las llamas se descontrolan, pase los alimentos temporalmente a la zona de fuego indirecto hasta que se extingan.

### Atención al tiempo y la temperatura

Cocinar a la parrilla en climas fríos o a mayor altitud prolongará el tiempo de cocción. Las condiciones climáticas de viento aumentarán la temperatura del asador.

### Limpieza en todo momento

Siga las instrucciones básicas de mantenimiento periódico para que su asador luzca y cocine de maravilla durante muchos años. Asegúrese de desechar las cenizas y el carbón antiguo acumulados en el fondo del cuerpo y el cenicero antes de cada uso.

### Ahumado con madera

Se aconseja experimentar con distintos tipos de madera al ahumar para encontrar el equilibrio perfecto entre dulce y sazonado. Para ahumar durante períodos largos, es mejor usar trozos de madera en lugar de astillas. Los trozos desprenden humo durante más tiempo y este penetra lentamente en los alimentos durante la cocción. Las astillas de madera funcionan mejor al cocinar durante períodos cortos porque no duran tanto como para ahumar durante mucho tiempo.



## LIMPIEZA DEL INTERIOR DEL ASADOR

Limpiar el interior del asador antes de cada uso es fundamental para mantener su funcionamiento óptimo durante muchos años.

⚠ **ADVERTENCIA:** Espere a que se enfríe el asador antes de limpiarlo a profundidad.

### Limpieza de la tapa

De vez en cuando, es probable que descubra lo que parecen ser "hojuelas de pintura" por dentro de la tapa del asador. Durante el uso, la grasa y los vapores se convierten poco a poco en carbón y se acumulan en el interior de la tapa del asador. Tales depósitos acaban desprendiéndose y adquieren un aspecto muy similar al de la pintura. Aunque no son tóxicas, las hojuelas pueden caer sobre los alimentos si no limpia la tapa periódicamente.

Necesitará: una fibra de nailon no abrasiva y una toalla de papel.

1. Frote la grasa carbonizada del interior de la tapa del asador con la fibra (A). Para minimizar la acumulación de grasa en el futuro, limpie el interior de la tapa con papel de cocina después de cada uso; hágalo con el asador templado (no caliente) al tacto.

### Limpieza de las parrillas y la placa difusora

Si limpia sistemáticamente las parrillas de cocción después de precalentar, la acumulación de residuos en ellas será mínima. Trate también de minimizar la acumulación de suciedad y residuos en la placa difusora entre comidas. El uso de una bandeja para escurrimientos desechable contribuirá a aligerar la limpieza.

Necesitará: un cepillo para parrillas con cerdas de acero inoxidable o un rascador de madera.

1. Con la parrilla de cocción instalada, limpie los residuos adheridos con un cepillo para parrillas con cerdas de acero inoxidable o un rascador de madera (B).
- ⚠ **PRECAUCIÓN:** Revise periódicamente si sus cepillos para parrillas presentan cerdas sueltas o desgaste excesivo. Sustituya los cepillos si encuentra cerdas desprendidas en las parrillas de cocción o en los mismos cepillos. WEBER recomienda adquirir nuevos cepillos para parrillas con cerdas de acero inoxidable al principio de cada primavera.
2. Extraiga la parrilla de cocción del asador.
  3. Con la placa difusora instalada, limpie los residuos adheridos con un cepillo para parrillas con cerdas de acero inoxidable.
  4. Retire la placa difusora.
  5. Con la rejilla para carbón instalada, limpie los residuos adheridos con un cepillo para parrillas con cerdas de acero inoxidable.

### Limpieza del cuerpo

Para favorecer el flujo de aire y obtener mejores resultados al cocinar, deseche las cenizas y el carbón antiguo acumulados en el fondo del cuerpo y vacíe el cenicero antes de cada uso.

1. Abra la tapa del asador y retire la parrilla de cocción, la placa difusora y la rejilla para carbón.
2. Deseche las cenizas y los terrones de carbón antiguo del fondo del cuerpo. El carbón requiere oxígeno para arder, así que asegúrese de que nada obstruya las ventilas. Mueva la palanca del sistema de limpieza ONE-TOUCH hacia atrás y hacia delante para pasar las cenizas del fondo del cuerpo al cenicero (D).
3. Sujete el mango del cenicero para sacarlo del asador (E). Una vez que se hayan enfriado las cenizas por completo, viértalas en un recipiente seguro para su eliminación y vuelva a colocar el cenicero de alta capacidad.

## LIMPIEZA EXTERIOR DEL ASADOR

Por afuera, el asador puede incluir superficies de acero inoxidable, porcelanizadas y de plástico. WEBER recomienda los siguientes métodos en función del tipo de superficie. Asegúrese de que todo el carbón se haya extinguido por completo y de que el asador esté frío antes de limpiar el exterior.

### Superficies de acero inoxidable

Limpe las superficies de acero inoxidable exteriores empleando un producto de limpieza o un abrillantador de acero inoxidable no tóxico ni abrasivo, diseñado para productos de uso al aire libre y asadores, o simplemente agua con jabón. No se arriesgue a arañar el acero inoxidable empleando pastas abrasivas que no limpian ni pulen, y solo cambian el color del metal eliminando el revestimiento superficial de óxido de cromo. No use papel absorbente. En su lugar, use un paño de microfibra para limpiar las superficies de acero inoxidable.

Necesitará: un paño de microfibra y un producto de limpieza para acero inoxidable o agua con jabón.

1. Rocíe el producto de limpieza sobre las superficies de acero inoxidable del asador. Use el paño de microfibra para limpiar en la dirección de las vetas del acero inoxidable o deje que se sequen.
2. Si usa agua y jabón, utilice el paño de microfibra para aplicar el agua con jabón y, posteriormente, enjuague las superficies con agua y deje que se sequen.

### Componentes pintados, porcelanizados y de plástico

Limpe los componentes pintados, porcelanizados y de plástico localizados fuera del asador con una solución de agua templada y jabón.

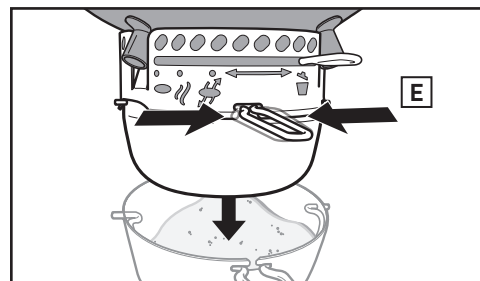
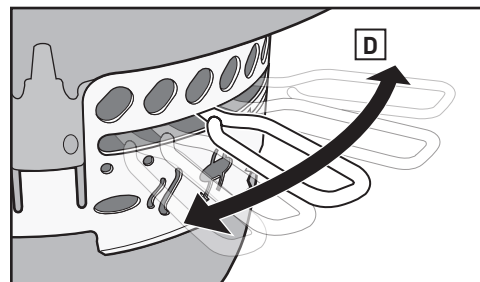
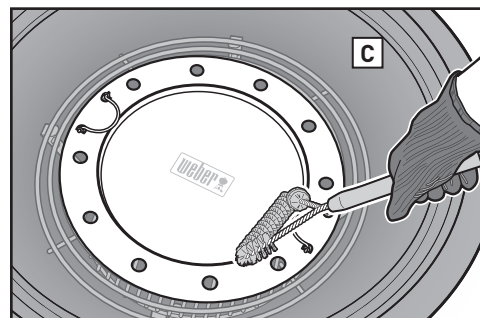
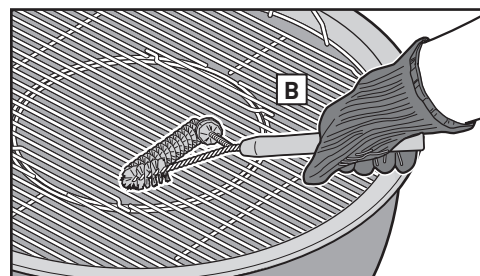
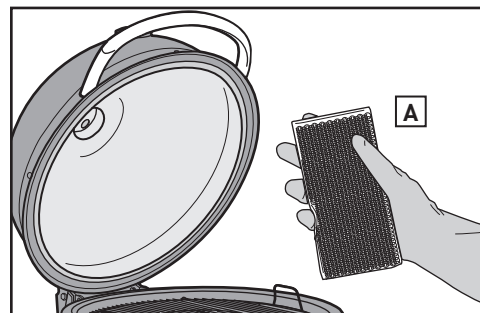
Necesitará: una solución de agua templada y jabón, papel de cocina o un paño de microfibra.

1. Limpie las superficies con la solución de agua templada y jabón. Enjuáguelas y séquelas bien.

⚠ **IMPORTANTE:** No use nada de lo siguiente para limpiar el asador: abrillantadores de acero inoxidable abrasivos, pinturas, productos de limpieza que contengan ácido, alcoholes minerales, xileno, productos de limpieza de hornos, limpiadores abrasivos (limpiadores de cocina) o esponjas de limpieza abrasivas.

### LIMPIEZA EXTERIOR DE ASADORES INSTALADOS EN ENTORNOS POCO FRECUENTES

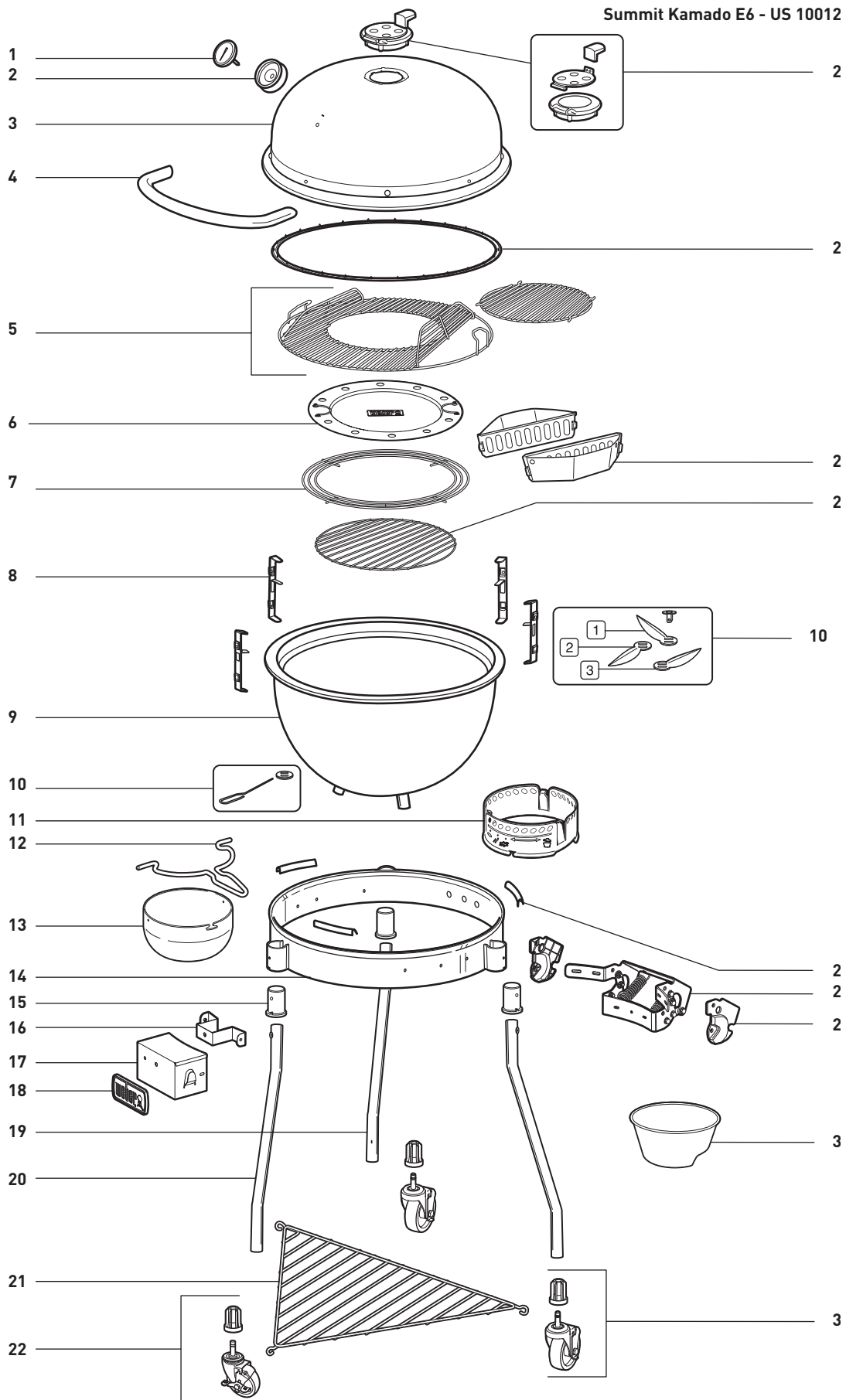
Si el asador se encuentra instalado en un entorno particularmente extremo, es probable que quiera limpiarlo por fuera con más frecuencia. La lluvia ácida, los productos químicos para albercas y el agua salada pueden causar corrosión superficial. Limpie el exterior del asador con agua tibia mezclada con jabón. Para concluir la limpieza, enjuague el asador y séquelo bien. Asimismo, puede aplicar semanalmente algún producto de limpieza de acero inoxidable no abrasivo para evitar la corrosión superficial.





# REFACCIONES

Summit Kamado E6 - US 10012





Weber-Stephen Products LLC  
[www.weber.com](http://www.weber.com)

© 2020 Diseñado y desarrollado por Weber-Stephen Products LLC,  
1415 S. Roselle Road, Palatine, Illinois 60067 (EE. UU.).



# Summit Kamado E6



Ne pas jeter. Le présent manuel du propriétaire contient des informations importantes concernant les dangers, des avertissements et des mises en garde relatives au produit. Pour les instructions d'assemblage, consultez le guide d'assemblage. N'utilisez pas le barbecue à l'intérieur!

Rendez-vous sur [www.weber.com](http://www.weber.com), sélectionnez votre pays et enregistrez votre barbecue dès aujourd'hui.

frCA



## **Le non-respect des indications DANGER, AVERTISSEMENT et ATTENTION présentes dans ce manuel du propriétaire peut entraîner des blessures corporelles graves voire la mort, ou peut causer un incendie ou une explosion entraînant des dégâts matériels.**

### **DANGER :**

Indique une situation dangereuse qui, si elle n'est pas évitée, entraînera la mort ou des blessures graves.

- ⚠ Utilisez le barbecue à l'extérieur seulement, dans un endroit bien aéré. Ne l'utilisez pas dans un garage, un immeuble, un passage recouvert, une tente ni tout autre endroit couvert ou toute installation couverte de matériaux combustibles.
- ⚠ Le barbecue n'est pas destiné à servir de chauffage et ne doit jamais être utilisé en tant que tel.
- ⚠ Assurez-vous de l'absence de vapeurs et de liquides inflammables (essence, alcool, etc.) ainsi que de matériaux combustibles à proximité de la zone de cuisson.
- ⚠ N'utilisez pas d'essence, d'alcool ou d'autres liquides très volatils pour allumer le charbon. Si vous utilisez du liquide d'allumage (non recommandé), retirez tout liquide pouvant avoir coulé par les orifices d'aération de la cuve avant d'allumer le charbon.
- ⚠ N'ajoutez pas de liquide d'allumage pour charbon ou de charbon imbibé de liquide d'allumage au charbon chaud ou tiède. Remettez le bouchon sur le flacon de liquide d'allumage après l'utilisation, puis rangez-le à une distance sécuritaire du barbecue.
- ⚠ En cas de feu de friture et laissez le couvercle fermé jusqu'à ce que le feu soit éteint.
- ⚠ Le barbecue ne doit jamais être utilisé par des enfants. Certaines parties accessibles peuvent devenir très chaudes. Maintenez les enfants et les animaux de compagnie à bonne distance pendant l'utilisation du barbecue.
- ⚠ Ne placez pas de housse ni d'objets inflammables sur le barbecue ou dans l'espace de rangement sous le barbecue lorsque ce dernier fonctionne ou est chaud.

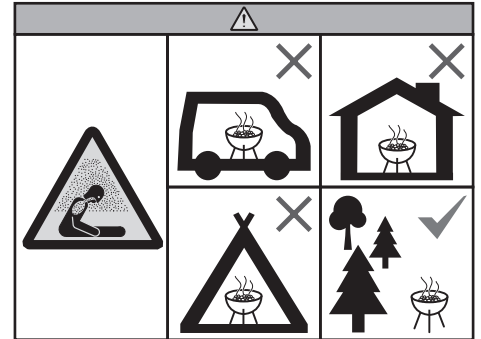
### **AVERTISSEMENT :**

Indique une situation dangereuse qui, si elle n'est pas évitée, peut entraîner la mort ou des blessures graves.

- ⚠ Le barbecue ne doit jamais être laissé sans surveillance ou déplacé pendant son fonctionnement.
- ⚠ N'utilisez pas ce barbecue si tous ses éléments ne sont pas à leur place. Ce barbecue doit être correctement assemblé en suivant les instructions prévues à cet effet. Un assemblage incorrect peut être dangereux.

- ⚠ N'installez pas ce modèle de barbecue dans un espace encastré ni dans un aménagement sur glissières.
- ⚠ N'utilisez jamais le barbecue sans que le cendrier ne soit en place.
- ⚠ Ne vous penchez jamais au-dessus du barbecue ouvert pendant que vous l'allumez ou y faites cuire des aliments.
- ⚠ Utilisez en permanence des mitaines ou des gants résistant à la chaleur lorsque vous utilisez votre barbecue.
- ⚠ Utilisez des ustensiles adéquats dotés de poignées longues et thermorésistantes.
- ⚠ Faites preuve de prudence lorsque vous utilisez votre barbecue. Il deviendra chaud pendant la cuisson ou le nettoyage et ne doit jamais être laissé sans surveillance.
- ⚠ Ce barbecue deviendra très chaud; ne le déplacez pas pendant l'utilisation.
- ⚠ Ne placez pas les mains ou les doigts sur le bord avant de la cuve lorsque le barbecue est chaud ou que le couvercle est ouvert.
- ⚠ L'usage d'alcool, de médicaments avec ordonnance ou sans ordonnance ainsi que de drogues illégales peut altérer les capacités de l'utilisateur et l'empêcher d'assembler, de déplacer, de ranger ou d'utiliser le barbecue d'une manière adéquate et sécuritaire.
- ⚠ Disposez toujours le charbon sur la grille foyère. Ne disposez pas le charbon directement sur le fond de la cuve ni sur la plaque de diffusion.
- ⚠ Le barbecue doit être nettoyé soigneusement et régulièrement.
- ⚠ Ne déposez jamais de charbon chaud dans un endroit où l'on pourrait marcher dessus ou bien où il risquerait de provoquer un incendie. Ne jetez jamais de cendres ou de charbon avant qu'ils ne soient complètement éteints.
- ⚠ Lors de la cuisson, le barbecue doit être sur une surface stable de niveau dans une zone loin de matériaux combustibles.
- ⚠ Vérifiez régulièrement que les brosses pour grille de cuisson ne perdent pas leurs poils ou ne présentent pas de signe d'usure excessive. Changez de brosse si vous trouvez des poils sur la grille de cuisson ou la brosse. Weber recommande d'acheter une nouvelle brosse à grille à poils en acier inoxydable chaque année, au début du printemps.
- ⚠ Lorsque vous allumez ou utilisez le barbecue, ne portez pas de vêtements dotés de manches amples ou flottantes.
- ⚠ Ne touchez jamais la grille de cuisson, la grille foyère, les cendres, le charbon ou le barbecue pour savoir s'ils sont chauds.
- ⚠ Ce barbecue WEBER n'est pas fait pour être installé sur des véhicules de loisirs ou des bateaux.
- ⚠ N'utilisez pas de liquide d'allumage, d'alcool ou d'autres liquides très volatils pour allumer le charbon.

- ⚠ **AVERTISSEMENT!** N'utilisez pas le barbecue dans un espace clos et/ou habitable, par exemple une maison, une tente, une caravane, une autocaravane ou un bateau. Danger d'intoxication au monoxyde de carbone causant la mort.



### **ATTENTION :**

Indique une situation dangereuse qui, si elle n'est pas évitée, peut entraîner des blessures mineures ou modérées.

- ⚠ N'enlevez pas les cendres avant que tout le charbon soit complètement brûlé et éteint et que le barbecue ait refroidi.
- ⚠ Étaler une couche de papier aluminium dans le fond de la cuve obstruera le flux d'air. Utilisez plutôt une barquette pour recueillir les jus de viande lorsque vous recourez à la méthode de cuisson indirecte ou au fumage.
- ⚠ Ne rangez pas le barbecue avant que les cendres et les braises ne soient totalement éteintes.
- ⚠ Le barbecue n'est pas destiné à un usage commercial.
- ⚠ N'utilisez pas d'eau pour maîtriser les flambées ou éteindre le charbon.
- ⚠ N'utilisez pas le barbecue par vent fort.
- ⚠ Éteignez le charbon lorsque la cuisson est terminée. Pour éteindre le feu, fermez les orifices d'aération de la cuve et le registre de couvercle RAPIDFIRE, puis placez le couvercle sur la cuve.

### **PROPOSITION 65, CALIFORNIE**

- ⚠ **AVERTISSEMENT :** Les sous-produits de combustion qui se dégagent lors de l'utilisation de ce produit contiennent des produits chimiques que l'État de la Californie reconnaît comme pouvant causer le cancer, des anomalies congénitales ou d'autres effets nuisibles sur la reproduction.
- ⚠ **AVERTISSEMENT SUR LA PROPOSITION 65 :** La manipulation des composants en laiton de ce barbecue est susceptible de vous exposer à du plomb, un produit chimique reconnu par l'État de la Californie comme une cause de cancer, d'anomalies congénitales ou d'autres dangers pour le système de reproduction. *Lavez-vous les mains après la manipulation de ce produit.*





Merci d'avoir acheté un produit WEBER. Weber-Stephen Products LLC, 1415 S. Roselle Road, Palatine, Illinois 60067 (ci-après « WEBER ») est fière d'offrir un produit sécuritaire, durable et fiable.

Cette garantie volontaire de la part de WEBER vous est offerte sans frais supplémentaires. Elle comprend des renseignements dont vous aurez besoin pour faire réparer votre produit WEBER dans le cas improbable d'une défaillance ou d'un défaut.

**Conformément aux lois applicables, le client dispose de plusieurs droits si le produit est défectueux. Parmi ces droits, notons le droit à un rendement supérieur ou au remplacement, une remise sur le prix d'achat et une compensation. Dans l'Union européenne, par exemple, il pourrait s'agir d'une garantie légale de deux ans entrant en vigueur à la date de la remise du produit. Ces droits et les autres droits légaux ne sont pas touchés par cette disposition de garantie. En fait, la présente garantie accorde des droits supplémentaires au propriétaire, indépendamment des dispositions réglementaires de la garantie.**

### GARANTIE DE WEBER

WEBER garantit à l'acheteur du produit WEBER (ou, s'il s'agit d'un cadeau ou d'une promotion, à la personne pour laquelle il a été acheté) qu'il est exempt de défauts de matériel et de main-d'œuvre pour la ou les périodes précisées ci-dessous lorsqu'il est assemblé et utilisé conformément au manuel du propriétaire fourni. (Remarque : Si vous perdez ou égarez votre manuel du propriétaire WEBER, une copie se trouve en ligne au [www.weber.com](http://www.weber.com) ou sur le site Web d'un pays vers lequel le propriétaire peut être redirigé.) Si le produit est utilisé et entretenu normalement par une seule famille en maison ou en appartement, WEBER accepte, en vertu de la présente garantie, de réparer ou de remplacer les pièces défectueuses selon les délais, les limitations et les exclusions applicables énumérés ci-dessous. DANS LA MESURE AUTORISÉE PAR LA LOI APPLICABLE, CETTE GARANTIE N'EST ACCORDÉE QU'À L'ACHETEUR INITIAL ET N'EST PAS TRANSFÉRABLE AUX PROPRIÉTAIRES SUBSÉQUENTS, SAUF S'IL S'AGIT D'UN CADEAU OU ARTICLE PROMOTIONNEL, TEL QU'EXPLIQUÉ CI-DESSUS.

### RESPONSABILITÉS DU PROPRIÉTAIRE EN VERTU DE LA PRÉSENTE GARANTIE

Pour profiter sans problème de la garantie, il est important (mais non obligatoire) d'enregistrer votre produit WEBER en ligne au [www.weber.com](http://www.weber.com) ou sur le site Web d'un pays vers lequel le propriétaire peut être redirigé. Veuillez également conserver votre facture d'achat. Le fait d'enregistrer votre produit WEBER confirme la protection de la garantie et établit un lien direct entre vous et WEBER si elle doit communiquer avec vous.

La garantie ci-dessus s'applique uniquement si le propriétaire prend raisonnablement soin du produit WEBER en suivant les consignes d'assemblage, d'utilisation et d'entretien préventif dont il est fait mention dans le manuel du propriétaire, sauf si le propriétaire peut prouver que la défaillance ou le défaut est survenu indépendamment du non-respect des obligations mentionnées ci-dessus. Si vous vivez dans une zone côtière ou que votre produit est installé près d'une piscine, l'entretien inclut le nettoyage et le rinçage régulier des surfaces extérieures, tel qu'expliqué dans le mode d'emploi ci-joint.

### TRAITEMENT ET EXCLUSIONS DE LA GARANTIE

Si vous croyez que l'une des pièces de votre produit est couverte par la présente garantie, veuillez communiquer avec le service à la clientèle de WEBER en utilisant les coordonnées affichées sur notre site Web ([www.weber.com](http://www.weber.com) ou sur le site Web d'un pays vers lequel le propriétaire peut être redirigé). Après enquête, WEBER réparera ou remplacera (à sa discrétion) toute pièce défectueuse couverte par cette garantie. Si la réparation ou le remplacement est impossible, WEBER peut choisir (à sa discrétion) de remplacer le barbecue en question par un nouveau, de valeur égale ou supérieure. WEBER peut vous demander de retourner les pièces aux fins d'inspection. Les frais d'expédition doivent être prépayés.

Cette GARANTIE est annulée si les dommages, la détérioration, la décoloration et la rouille sont causés par :

- une utilisation abusive, une mauvaise utilisation, une modification, une utilisation fautive, du vandalisme, de la négligence, une installation ou un assemblage inapproprié et le non-respect des consignes d'entretien normal et de routine;
- Insectes et rongeurs;
- l'exposition à l'air salin ou à des sources de chlore, comme des piscines ou des spas;
- des conditions météorologiques extrêmes, comme de la grêle, des ouragans, des tremblements de terre, des tsunamis, des ondes de tempête, des tornades ou des tempêtes violentes.

En cas d'utilisation ou d'installation de pièces qui ne sont pas authentiques sur votre produit WEBER, cette garantie sera annulée par WEBER et aucun dommage résultant ne sera couvert par celle-ci. Toute conversion non autorisée d'un barbecue au gaz par WEBER et effectuée par un technicien autorisé par WEBER annulera cette garantie.

### PÉRIODES DE COUVERTURE DE LA GARANTIE

Cuve, couvercle et anneau central :  
10 ans, aucun trou de rouille ou de calcination

Système de nettoyage ONE-TOUCH :  
5 ans, aucun trou de rouille ou de calcination

Composants en plastique :  
5 ans, à l'exception du ternissement ou de la décoloration

Autres pièces :  
2 ans

### AVIS DE NON-RESPONSABILITÉ

OUTRE LA GARANTIE ET LES CLAUSES DE NON-RESPONSABILITÉ DÉCRITES DANS CETTE DÉCLARATION DE GARANTIE, IL N'EXISTE EXPLICITEMENT AUCUNE AUTRE GARANTIE OU DÉCLARATION VOLONTAIRE DE RESPONSABILITÉ FIGURANT ICI ALLANT AU-DELÀ DE LA RESPONSABILITÉ LÉGALE APPLICABLE À WEBER. LA PRÉSENTE DÉCLARATION DE GARANTIE NE LIMITE NI N'EXCLUT LES SITUATIONS OU REQUÊTES POUR LESQUELLES WEBER A UNE RESPONSABILITÉ OBLIGATOIRE EN VERTU DE LA LÉGISLATION.

AUCUNE AUTRE GARANTIE NE S'APPLIQUE APRÈS LES PÉRIODES DE COUVERTURE DE LA PRÉSENTE GARANTIE. AUCUNE AUTRE GARANTIE OFFERTE PAR QUICONQUE, Y COMPRIS UN CONCESSIONNAIRE OU UN DÉTAILLANT, SUR N'IMPORTE QUEL PRODUIT (COMME UNE « GARANTIE PROLONGÉE ») NE DOIT LIER WEBER. LA RÉPARATION OU LE REMPLACEMENT D'UNE PIÈCE OU DU PRODUIT CONSTITUE LE RECOURS EXCLUSIF PERMIS DANS LE CADRE DE LA PRÉSENTE GARANTIE.

LA VALEUR DE N'IMPORTE QUEL REMPLACEMENT OU RÉPARATION NE SERA EN AUCUN CAS SUPÉRIEURE AU MONTANT DU PRIX D'ACHAT DU PRODUIT WEBER VENDU.

VOUS ASSUMEZ LES RISQUES ET LA RESPONSABILITÉ EN CAS DE PERTE, DE DOMMAGE OU DE BLESSURE TOUCHANT VOUS OU VOS BIENS OU LES AUTRES ET LEURS BIENS CAUSÉS PAR UNE MAUVAISE UTILISATION OU UNE UTILISATION ABUSIVE DU PRODUIT OU LE NON-RESPECT DES INSTRUCTIONS PRÉSENTÉES PAR WEBER DANS LE MANUEL DU PROPRIÉTAIRE FOURNI.

LES PIÈCES ET LES ACCESSOIRES REMPLACÉS DANS LE CADRE DE LA PRÉSENTE GARANTIE SONT GARANTIS UNIQUEMENT POUR LA PÉRIODE RESTANTE DE LA GARANTIE D'ORIGINE MENTIONNÉE CI-DESSUS.

LA PRÉSENTE GARANTIE S'APPLIQUE UNIQUEMENT AUX PRODUITS UTILISÉS PAR UNE SEULE FAMILLE EN MAISON OU EN APPARTEMENT. ELLE NE S'APPLIQUE PAS AUX BARBECUES WEBER UTILISÉS PAR PLUSIEURS FAMILLES NI À CEUX UTILISÉS DANS UN CONTEXTE COMMERCIAL OU COMMUNAUTAIRE, COMME DANS DES RESTAURANTS, DES HÔTELS, DES COMPLEXES OU DES ÉTABLISSEMENTS LOCATIFS.

WEBER PEUT PARFOIS MODIFIER LA CONCEPTION DE SES PRODUITS. AUCUN ÉLÉMENT DE CETTE GARANTIE NE SAURAIT ÊTRE INTERPRÉTÉ COMME UNE OBLIGATION POUR WEBER D'INCORPORER CES MODIFICATIONS DE CONCEPTION DANS DES PRODUITS FABRIQUÉS AUPARAVANT; CES MODIFICATIONS NE POURRONT PAS NON PLUS ÊTRE INTERPRÉTÉES COMME UN AVEU QUE LES CONCEPTIONS PRÉCÉDENTES ÉTAIENT DÉFECTUEUSES.

**Weber-Stephen Products LLC**  
**Customer Service Center**  
1415 S. Roselle Road  
Palatine, IL 60067  
U.S.A.

**Pour obtenir des pièces de remplacement, composez le :**  
1 800 446-1071

## TABLE DES MATIÈRES

- 4 Assemblage
- 40 Sécurité
- 41 Garantie
- 42 Système de cuisson
- 43 Caractéristiques
- 44 Avant l'allumage
  - Choisir un endroit adéquat
  - Choisir la quantité de charbon à utiliser
  - Première utilisation de votre barbecue
  - Préparer le barbecue pour l'allumage
- 45 Allumer le charbon
  - Allumer le charbon à l'aide d'une cheminée d'allumage
  - Allumer le charbon à l'aide de cubes d'allumage
  - Allumer le charbon à l'aide des paniers à charbon Char-Basket
- 46 Méthodes de cuisson
  - Cuisson directe
  - Cuisson indirecte
  - Fumage
- 49 Trucs et astuces pour réussir vos grillades
- 50 Entretien
- 51 Pièces de rechange

**Rendez-vous sur [www.weber.com](http://www.weber.com), sélectionnez votre pays et enregistrez votre barbecue dès aujourd'hui.**



# SYSTÈME DE CUISSON

La conception de votre barbecue au charbon est le fruit d'intenses réflexions. Les barbecues WEBER sont conçus de sorte que vous n'ayez jamais à vous inquiéter de flambées, zones chaudes et froides ou aliments brûlés. Vous pouvez toujours vous attendre à des performances, une maîtrise et des résultats excellents.

## **A** Cuve et couvercle

La cuve et le couvercle à double paroi isolés à l'air retiennent la chaleur pour des durées de cuisson plus longues et un excellent contrôle de la température. La forme unique de la bouilloire de votre barbecue SUMMIT permet une véritable cuisson par convection.

## **B** Registres et orifices d'aération

L'air fait partie intégrante de la cuisson au charbon. Plus on fait entrer d'air dans le barbecue, plus le feu augmente (jusqu'à un certain point), ce qui fait que le charbon brûle beaucoup plus vite. L'orifice d'aération de la cuve du fond du barbecue doit être ouvert pendant la cuisson ou en position de fumage pendant le fumage. Le registre supérieur est utilisé pour contrôler la température à l'intérieur du barbecue; cependant, il ne doit jamais être complètement fermé.

## **C** Grille de cuisson

Fabriquée en acier robuste, la grille de cuisson offre beaucoup d'espace pour préparer tous vos plats préférés.

## **D** Plaque de diffusion

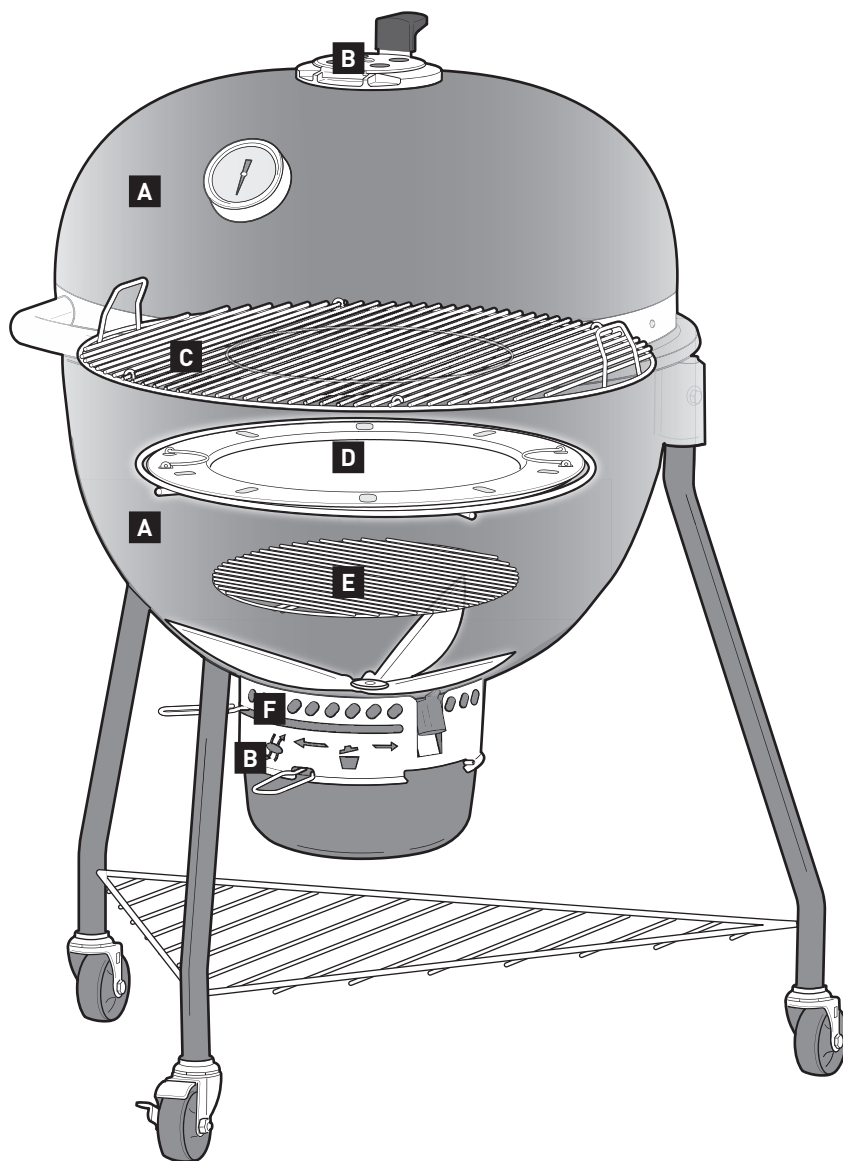
La plaque de diffusion en acier inoxydable est utilisée pour maintenir une température constante et pour diriger la chaleur et la fumée autour des aliments. Elle est toujours utilisée pendant le fumage. Toutefois, elle peut également être utilisée lors de la cuisson indirecte pour maximiser l'espace de cuisson.

## **E** Grille foyère

La grille foyère peut résister à la chaleur dégagée par n'importe quel feu de charbon. Fabriquée en acier robuste, cette grille solide ne peut se déformer ni se transpercer. La grille peut être déplacée vers une position supérieure dans la cuve pour cuire et vers une position inférieure pour le fumage.

## **F** Système de nettoyage ONE-TOUCH

Le système de nettoyage ONE-TOUCH en acier inoxydable vous permet de nettoyer sans tracas. En faisant glisser la poignée d'avant en arrière, les trois pales situées dans la cuve envoient les cendres du fond du barbecue vers le cendrier à grande capacité pour une élimination rapide et propre des cendres. Ces orifices d'aération se comportent comme un registre pour la cuve et servent également à alimenter le feu en oxygène ou à l'éteindre facilement.



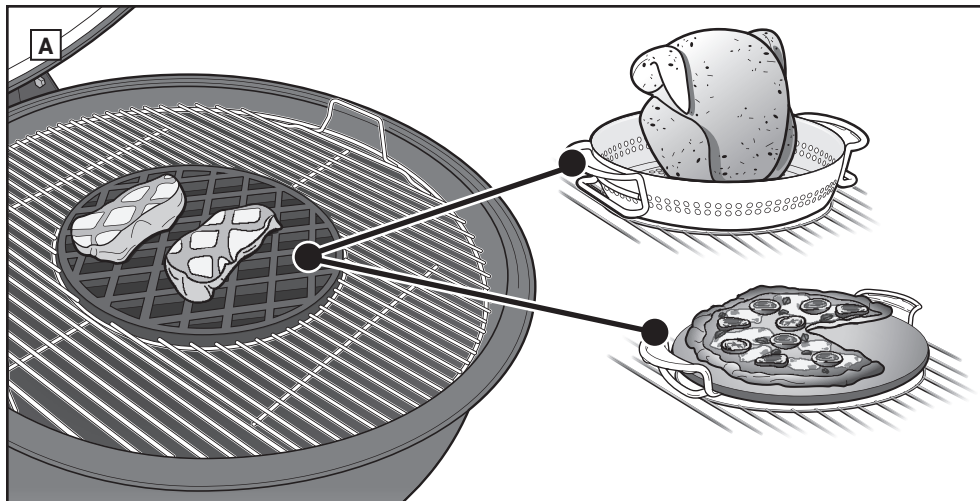


# CARACTÉRISTIQUES

Le WEBER SUMMIT KAMADO E6 n'est pas seulement un barbecue ordinaire. Les caractéristiques haut de gamme et la conception novatrice vous permettent de griller ou de fumer vos aliments avec facilité et commodité.

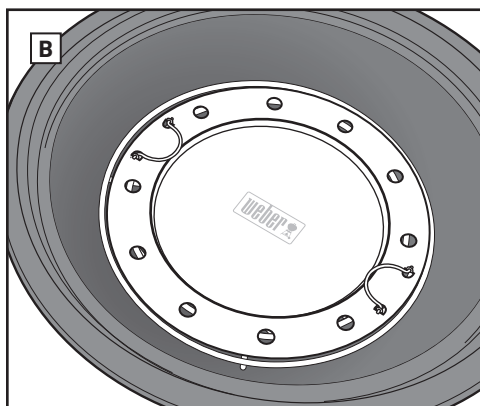
## A GOURMET BBQ SYSTEM

La grille de cuisson GOURMET BBQ SYSTEM est la grille circulaire centrale dans la grille de cuisson articulée. Elle est amovible et elle peut être remplacée par tout insert WEBER GOURMET BBQ SYSTEM (inserts vendus séparément). Pour la gamme complète d'inserts GOURMET BBQ SYSTEM, consultez notre site web : [www.weber.com](http://www.weber.com).



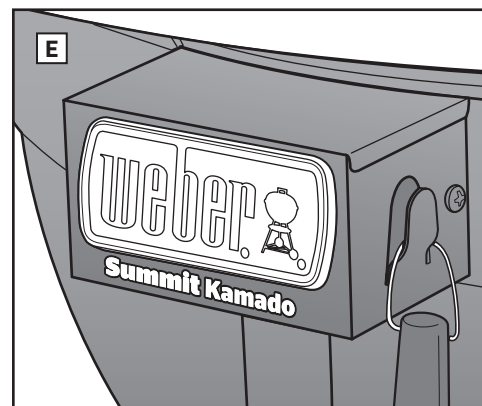
## B Plaque de diffusion en acier inoxydable

Cette plaque de diffusion spécialement conçue est utilisée spécifiquement pour le fumage des aliments, ainsi que pour la cuisson indirecte.



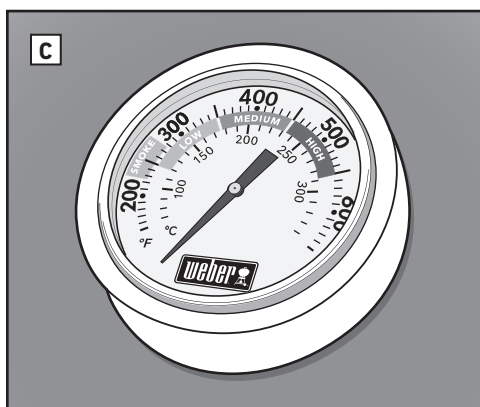
## C Thermomètre intégré

Le thermomètre résistant intégré au couvercle vous permet de surveiller aisément la température de votre barbecue. La zone « fumée » du thermomètre indique quand le barbecue a atteint la température idéale pour le fumage.



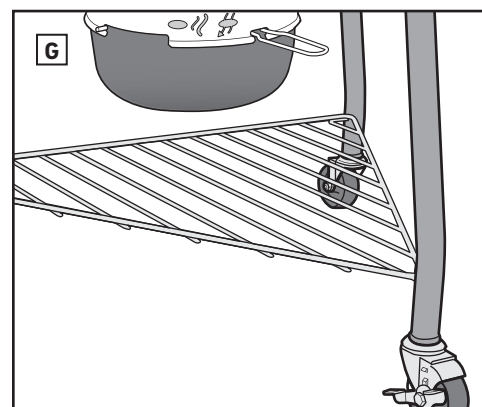
## D Cendrier à grande capacité

Le cendrier à grande capacité entièrement recouvert empêche les cendres de se disperser dans la cuve et permet de retirer rapidement et proprement les cendres.



## E Poignées avec crochets porte-ustensiles

Le porte-ustensiles est intégré de sorte que vous ayez un endroit pratique pour suspendre vos ustensiles de cuisson.



## F Orifices d'aération de la cuve pour la cuisson à basse température

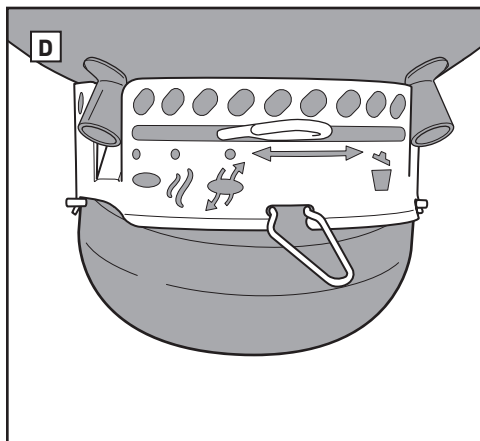
La nouvelle forme de ces orifices d'aération de la cuve assure une ventilation parfaite pour la cuisson à basse température et pour le fumage. (Non illustré)

## G Étagère métallique inférieure

L'étagère métallique inférieure (G) fournit un espace de rangement supplémentaire.

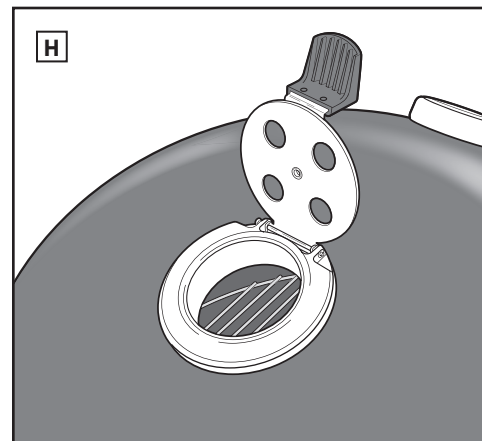
## H Registre de couvercle RAPIDFIRE

Le registre de couvercle RAPIDFIRE à charnière maximise le débit d'air et augmente la température rapidement afin que vous puissiez cuire en 20 minutes. Il permet également un rétablissement rapide de la température.



## I Couvercle à charnière facile à ouvrir

Le couvercle de votre barbecue a été conçu avec une charnière à ressort pour rendre l'ouverture et la fermeture du couvercle simple et sécuritaire. La charnière empêche le couvercle de se refermer, ce qui évite d'éventuels blessures ou dommages au barbecue. (Non illustré)





# AVANT L'ALLUMAGE

## Choisir un endroit adéquat

- Utilisez ce barbecue à l'extérieur seulement, dans un endroit bien aéré. Ne l'utilisez pas dans un garage, un bâtiment, un passage couvert ou tout autre espace clos.
- Installez toujours le barbecue sur une surface plane et sûre.
- N'utilisez pas ce barbecue à moins de 1,5 m (5 pieds) de toute matière combustible. Les matériaux combustibles incluent notamment les terrasses, les patios et les vérandas en bois naturel ou traité.

## Choisir la quantité de charbon à utiliser

Le choix de la quantité de charbon dépend de ce que vous allez faire cuire et de la taille de votre barbecue. Si vous faites griller de petits aliments tendres qui prennent moins de 20 minutes à cuire, reportez-vous au tableau *Quantité de charbon pour cuisson directe*. Si vous faites griller ou fumez de grosses pièces de viande qui nécessitent un temps de cuisson de 20 minutes ou plus, reportez-vous au tableau *Quantité de charbon pour cuisson indirecte*. Pour en savoir plus sur la différence entre la cuisson directe et indirecte, consultez les sections *MÉTHODES DE CUISSON* de ce manuel.

## Première utilisation de votre barbecue

Avant vos premières grillades, il est recommandé de préchauffer le barbecue et de maintenir ardent le combustible, couvercle fermé, pendant au moins 30 minutes afin de brûler les éventuels résidus de fabrication.

## Quantité de charbon pour une cuisson directe

Briquettes de charbon	Charbon de bois*	Briquettes WEBER
60 briquettes (1 1/2 tasse)	3 1/2 tasses	40 briquettes (1 tasse)

\* Lorsque vous mesurez les quantités de charbon de bois, utilisez la tasse de mesure de charbon fournie avec votre barbecue.

## Quantité de charbon pour la cuisson indirecte

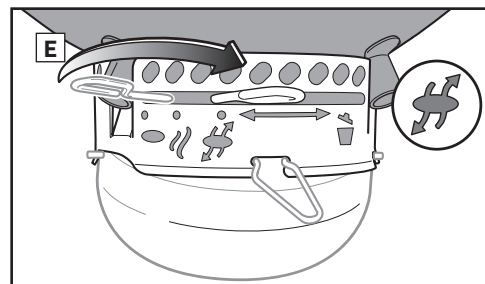
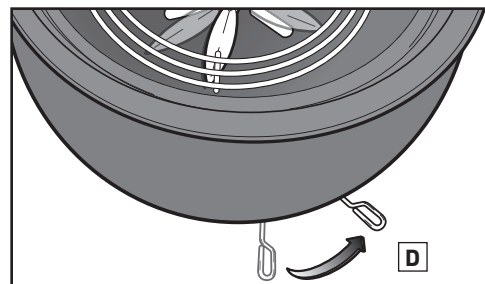
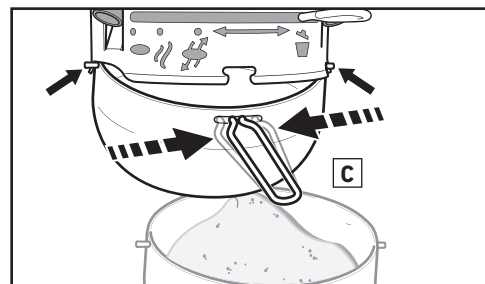
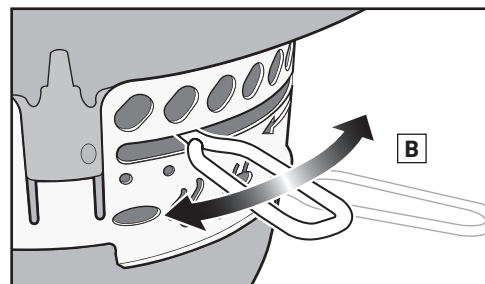
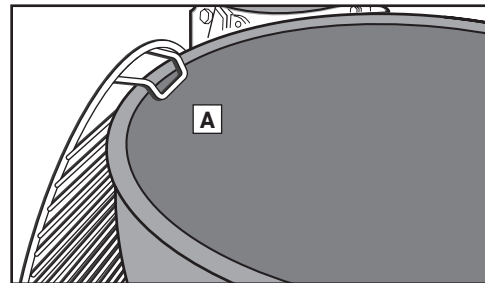
Briquettes de charbon pour la première heure (par côté)	Briquettes de charbon nécessaires pour chaque heure supplémentaire (par côté)
30 briquettes (3/4 tasse)	9 briquettes (1/4 tasse)
Charbon de bois* pour la première heure (par côté)	Charbon de bois* nécessaire pour chaque heure supplémentaire (par côté)
2 tasses	1/2 tasse
Briquettes WEBER pour la première heure (par côté)	Briquettes WEBER nécessaires pour chaque heure supplémentaire (par côté)
20 briquettes (1/2 tasse)	8 briquettes (1/4 tasse)

\* Lorsque vous mesurez les quantités de charbon de bois, utilisez la tasse de mesure de charbon fournie avec votre barbecue.

## Préparer le barbecue pour l'allumage

1. Ouvrez le couvercle.
2. Retirez la grille de cuisson du barbecue. Pour plus de commodité, suspendez la grille de cuisson sur la cuve de votre barbecue par ses poignées incurvées (A).
3. Retirez la grille foyère (inférieure) et enlevez les cendres et les vieux morceaux de charbon gisant dans le fond de la cuve. Le charbon a besoin d'oxygène pour brûler. Veillez donc à ce que rien n'obstrue les orifices d'aération. Faites glisser la poignée du système de nettoyage ONE-TOUCH d'avant en arrière afin d'envoyer les cendres présentes au fond du barbecue dans le cendrier (B).
4. Serrez la poignée du cendrier pour le retirer du barbecue (C).
5. Ouvrez l'orifice d'aération de la cuve en déplaçant la poignée vers la droite (D) ou en la déplaçant en position ouverte (E).
6. Réinstallez la grille foyère.

*Remarque : Les instructions sur l'utilisation de liquide d'allumage ont été volontairement exclues de ce manuel du propriétaire. Le liquide d'allumage est salissant et peut donner un goût chimique aux aliments, contrairement aux cubes d'allumage (vendus séparément). Si vous choisissez d'utiliser du liquide d'allumage, suivez les instructions du fabricant et ne le versez JAMAIS sur un feu brûlant.*





# ALLUMER LE CHARBON

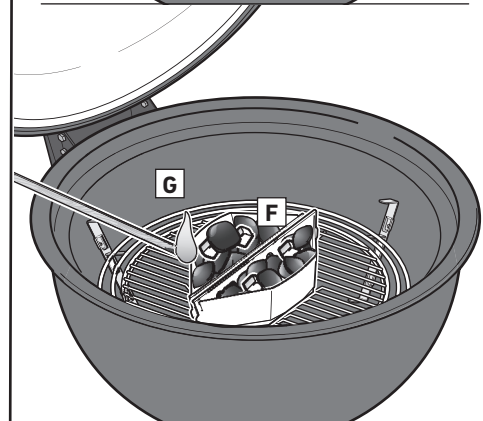
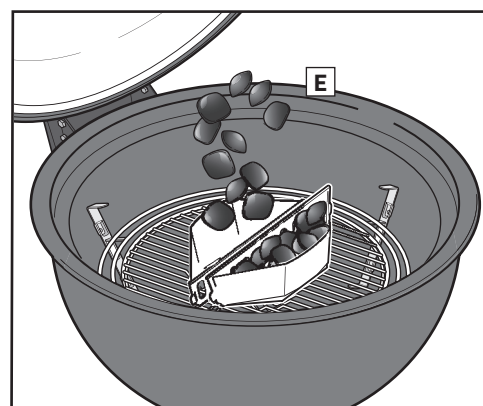
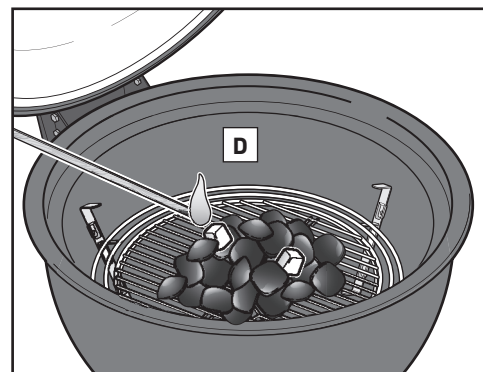
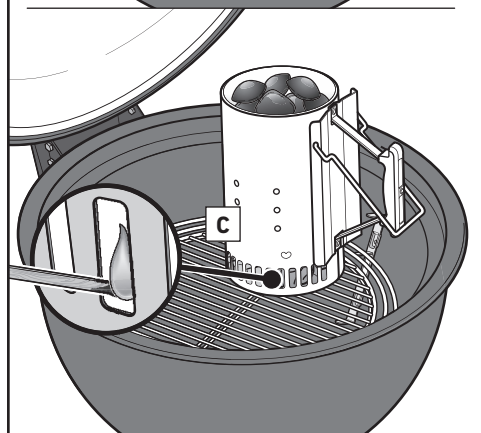
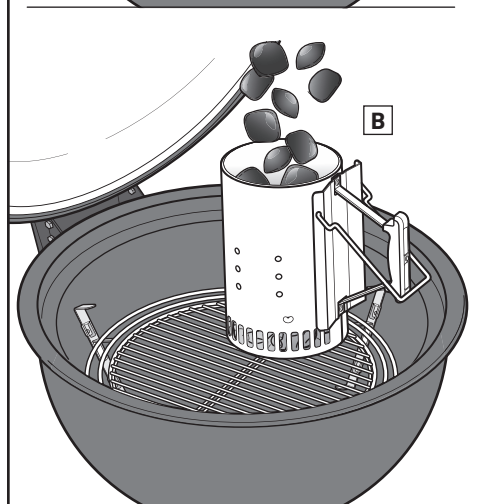
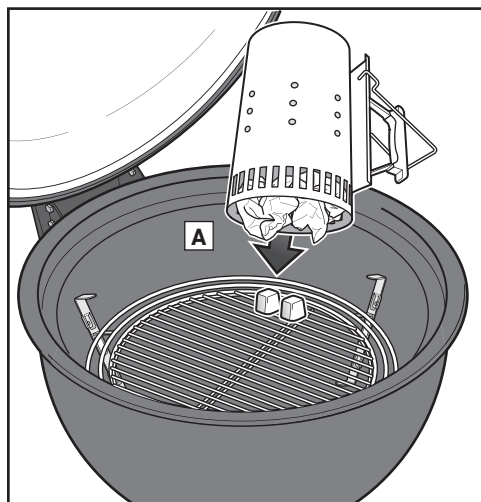
## Allumer le charbon à l'aide d'une cheminée d'allumage

Le moyen le plus simple d'allumer tout type de charbon est d'employer une cheminée d'allumage comme la cheminée d'allumage WEBER RAPIDFIRE (vendue séparément). Veuillez consulter les mises en garde et avertissements concernant la cheminée d'allumage RAPIDFIRE avant d'allumer. Lors de l'allumage du combustible, veillez à ce que les registres soient complètement ouverts.

1. Mettez quelques feuilles de papier journal chiffonnées en bas de la cheminée d'allumage et posez cette dernière sur la grille foyère (A); ou mettez quelques cubes d'allumage au centre de la grille foyère et placez la cheminée d'allumage par-dessus.
2. Remplissez la cheminée d'allumage de charbon (B).
3. Allumez les cubes d'allumage ou le papier journal à travers les trous de la cheminée d'allumage (C).
4. Laissez la cheminée d'allumage en place jusqu'à ce que le charbon bien allumé. Le charbon est entièrement allumé lorsqu'il est recouvert d'une couche de cendre blanche. Cela peut prendre entre 15 et 30 minutes. Ne fermez jamais le couvercle avec la cheminée d'allumage dans le barbecue.

*Remarque : Les cubes d'allumage doivent être entièrement consumés et le charbon recouvert de cendres avant de mettre des aliments sur la grille de cuisson.*

5. Une fois le charbon bien allumé, passez aux pages suivantes pour les conseils de disposition de votre charbon et commencez la cuisson selon la méthode de cuisson de votre choix.



## Allumer le charbon à l'aide de cubes d'allumage

Lors de l'allumage du charbon, veillez à ce que tous les registres du couvercle et de la cuve soient complètement ouverts.

1. Faites une pyramide de charbon au centre de la grille foyère (inférieure) et insérez quelques cubes d'allumage (vendus séparément) au centre de la pyramide (D).
2. Allumez les cubes d'allumage à l'aide d'un briquet allume-gaz ou d'une longue allumette. Les cubes d'allumage mettront le feu au charbon.
3. Attendez que le charbon soit entièrement allumé. Le charbon est entièrement allumé lorsqu'il est recouvert d'une couche de cendre blanche. Cela peut prendre entre 15 et 30 minutes.

*Remarque : Les cubes d'allumage doivent être entièrement consumés et le charbon recouvert de cendres avant de mettre des aliments sur la grille de cuisson.*

4. Une fois le charbon bien allumé, passez aux pages suivantes pour les conseils de disposition du combustible et commencez la cuisson selon la méthode de cuisson de votre choix.

## Allumer le charbon à l'aide des paniers à charbon Char-Basket

Lors de l'allumage du charbon, veillez à ce que tous les registres du couvercle et de la cuve soient complètement ouverts.

1. Placez les paniers à charbon Char-Basket au centre de la grille foyère et remplissez les paniers à charbon Char-Basket avec du charbon (E).
2. Ajoutez quelques cubes d'allumage (vendus séparément) dans chacun des paniers à charbon Char-Basket (F). Veillez à les nicher dans le charbon.
3. Allumez les cubes d'allumage à l'aide d'un briquet allume-gaz ou d'une longue allumette. Les cubes d'allumage mettront le feu au charbon (G).

4. Attendez que le combustible soit entièrement allumé. Le charbon est entièrement allumé lorsqu'il est recouvert d'une couche de cendre blanche. Cela peut prendre entre 15 et 30 minutes.

*Remarque : Les cubes d'allumage doivent être entièrement consumés et le charbon recouvert de cendres avant de mettre des aliments sur la grille de cuisson.*

5. Une fois le charbon bien allumé, passez aux pages suivantes pour les conseils de disposition de votre charbon et commencez la cuisson selon la méthode de cuisson de votre choix.

⚠ Utilisez des gants ou des mitaines de barbecue résistant à la chaleur pendant la cuisson et pour ajuster les orifices d'aération, ajouter du charbon et manipuler le thermomètre ou le couvercle.

⚠ Ne fermez jamais le couvercle avec la cheminée d'allumage dans le barbecue.



# MÉTHODES DE CUISSON — CUISSON DIRECTE

Le WEBER SUMMIT KAMADO peut être utilisé pour trois méthodes de cuisson : Cuisson directe, cuisson indirecte et fumage. Avant de continuer, déterminez la méthode de cuisson qui sera utilisée et suivez les instructions appropriées dans ce guide du propriétaire.

*REMARQUE : Un climat froid ou une altitude élevée augmentent les temps de cuisson. Les conditions météorologiques venteuses augmenteront la température du barbecue.*

## MÉTHODE DE CUISSON DIRECTE

Utilisez la méthode de cuisson directe pour les morceaux petits et tendres nécessitant moins de 20 minutes de cuisson, comme les hamburgers, les biftecks, les côtelettes, les chiches-kébab, les morceaux de poulet désossés, les filets de poisson, les fruits de mer et les légumes coupés.

Une cuisson directe signifie que la flamme se trouve juste en dessous des aliments (A). Elle saisit la surface des aliments, la caramélise et en accentue les saveurs ainsi que la texture tout en la cuisant jusqu'au centre.

Une flamme directe crée une chaleur rayonnante et une chaleur par conduction. La chaleur par rayonnement du charbon cuit rapidement la surface des aliments les plus rapprochés. Pendant ce temps, le feu chauffe les tiges de la grille de cuisson, qui conduisent la chaleur directement à la surface des aliments et créent ces marques de saisie inimitables et tant appréciées.

## Préparer le barbecue pour une cuisson directe

1. Placez l'anneau de fixation (B) en position médiane dans la cuve, puis placez la grille foyère (C) au centre de l'anneau de fixation.
2. Allumez le charbon. Reportez-vous à la section « ALLUMER LE CHARBON » de ce guide du propriétaire.

*REMARQUE : Le couvercle, les registres et les orifices d'aération doivent rester ouverts lors de l'allumage du charbon.*

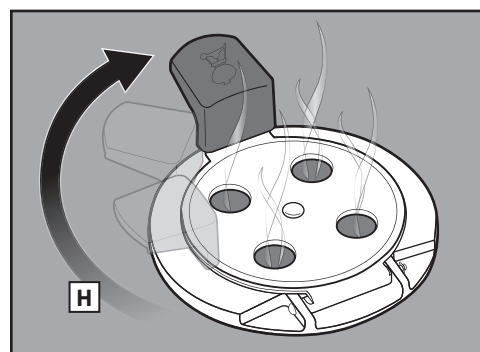
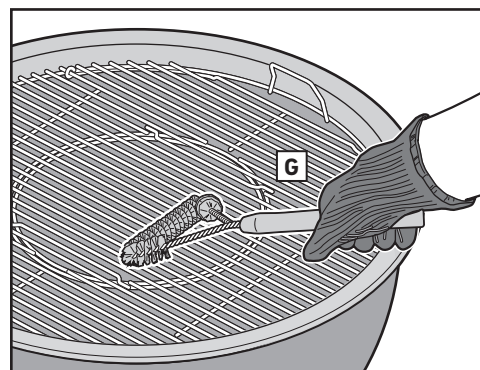
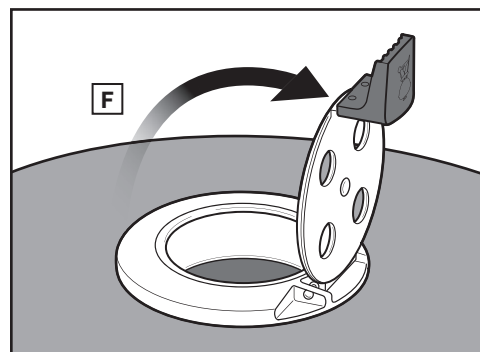
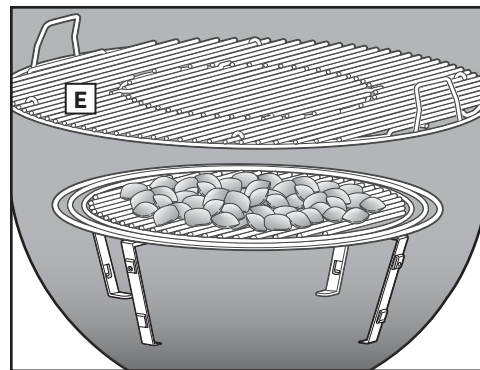
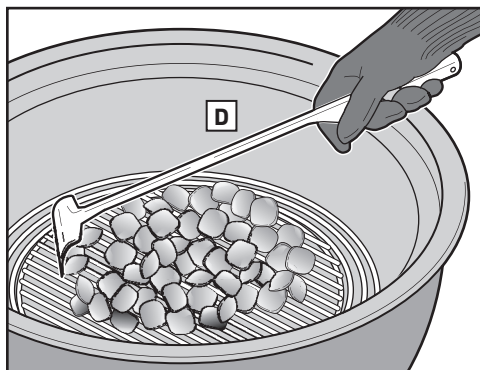
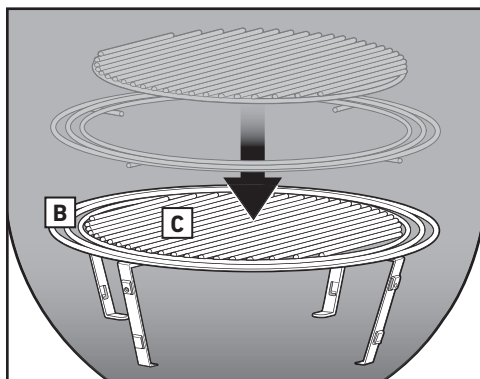
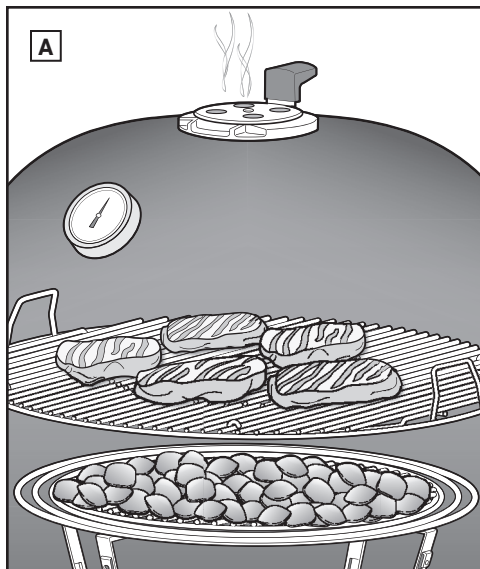
3. Une fois le charbon allumé, enfilez des gants ou mitaines pour barbecue. À l'aide de longues pinces ou d'un râteau à charbon, répartissez le charbon de manière régulière sur la grille foyère (D). Assurez-vous que le charbon allumé est en contact avec le charbon non allumé.
4. Placez la grille de cuisson en position haute dans la cuve (E).
5. Fermez le couvercle du barbecue et ouvrez le registre de couvercle RAPIDFIRE (F).
6. Préchauffez la grille de cuisson pendant environ 5 à 10 minutes ou jusqu'à ce que la température souhaitée soit atteinte.
7. Une fois la grille de cuisson préchauffée, à l'aide d'une brosse pour grille à poils en acier inoxydable ou d'un grattoir, nettoyez la grille de cuisson (G).

*REMARQUE : Si vous employez une brosse pour grille à poils en acier inoxydable, remplacez la brosse dès que vous commencez à retrouver des poils détachés sur la grille de cuisson ou sur la brosse.*

8. Déposez les aliments sur la grille de cuisson et fermez le couvercle du barbecue. La rotation du registre de couvercle RAPIDFIRE augmente ou diminue la chaleur souhaitée à l'intérieur du barbecue (H). Reportez-vous à votre recette pour connaître le temps et température de cuisson recommandés. Reportez-vous au thermomètre du couvercle pour connaître la température interne souhaitée du barbecue.

## Une fois la cuisson terminée

Fermez le registre du couvercle et les orifices d'aération de cuve afin d'éteindre le charbon.





# MÉTHODES DE CUISSON — CUISSON INDIRECTE

## MÉTHODE DE CUISSON INDIRECTE

Appliquez la méthode de cuisson indirecte pour les grandes pièces de viande nécessitant plus de 20 minutes de cuisson ou pour les aliments délicats qu'une exposition directe aux flammes assècherait ou brûlerait, comme les rôtis, les morceaux de volaille non désossés, les poissons entiers, les filets de poisson fragiles, les poulets ou les dindes entières et les côtes levées. La chaleur indirecte peut également servir à terminer la cuisson d'aliments plus épais ou de morceaux non désossés ayant été saisis ou dorés par une chaleur directe.

Avec la cuisson indirecte, la chaleur vient des deux côtés du barbecue (A), ou d'un seul côté du barbecue. Les aliments sont disposés sur la partie de la grille de cuisson au-dessous de laquelle il n'y a pas de charbon directement.

La chaleur rayonnante et la chaleur par conduction sont encore présentes en cuisson indirecte, mais elles ne sont pas aussi intenses. Toutefois, si le couvercle du barbecue est fermé, comme il doit l'être, un autre type de chaleur est générée : la chaleur par convection. La chaleur monte, puis est réfléchiée par le couvercle et les surfaces intérieures du barbecue. Elle circule et cuit ensuite lentement et uniformément les aliments de tous les côtés. La chaleur par convection ne saisit pas la surface de la nourriture comme le font la chaleur rayonnante et la chaleur par conduction. Elle cuit les aliments plus lentement jusqu'au centre comme dans un four.

*REMARQUE : Un climat froid ou une altitude élevée augmentent les temps de cuisson. Les conditions météorologiques venteuses augmenteront la température du barbecue.*

## Préparer le barbecue pour une cuisson indirecte

1. Placez l'anneau de fixation (B) en position médiane dans la cuve, puis placez la grille foyère (C) au centre de l'anneau de fixation.

2. Allumez le charbon. Reportez-vous à la section « ALLUMER LE CHARBON » de ce guide du propriétaire.

*REMARQUE : Le couvercle, les registres et les orifices d'aération doivent rester ouverts lors de l'allumage du charbon.*

4. Une fois le charbon allumé, enfillez des gants ou mitaines pour barbecue. À l'aide de longues pinces, séparez les paniers à charbon Char-Basket afin qu'ils soient placés sur les deux côtés des aliments (D).

*REMARQUE : Placez une barquette jetable entre les paniers à charbon Char-Basket afin de récupérer les gouttes et minimiser les temps de nettoyage.*

*REMARQUE : Alternativement, ce barbecue dispose d'un grand espace de cuisson pour cuire simultanément indirectement et directement. En déplaçant les deux paniers à charbon Char-Basket d'un côté du barbecue, vous pouvez cuire directement sur les paniers et utiliser le reste de la grille de cuisson pour une cuisson indirecte.*

5. Placez la grille de cuisson en position haute dans la cuve, en vous assurant que les sections articulées sont au-dessus des paniers à charbon Char-Basket (E) pour ajouter du charbon si nécessaire.

6. Fermez le couvercle du barbecue et ouvrez le registre de couvercle RAPIDFIRE (F).

7. Préchauffez la grille de cuisson pendant environ 5 à 10 minutes ou jusqu'à ce que la température souhaitée soit atteinte.

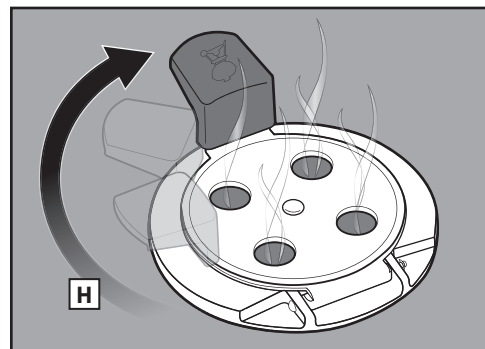
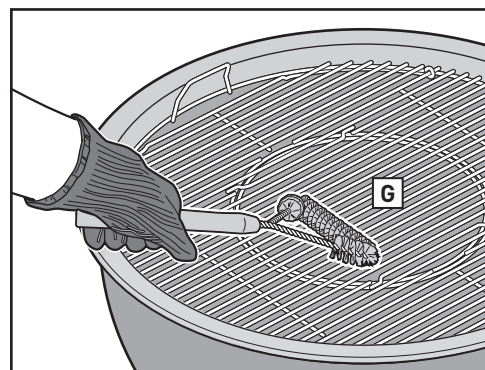
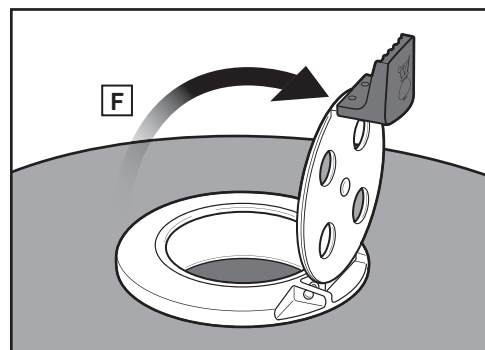
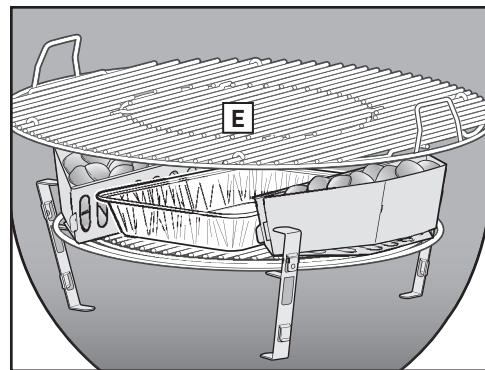
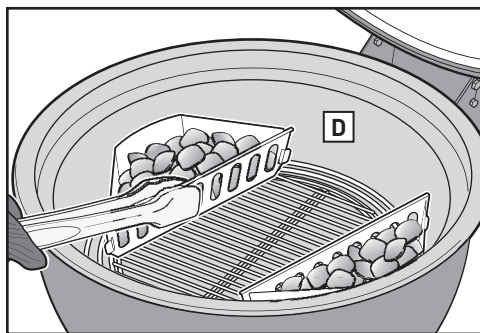
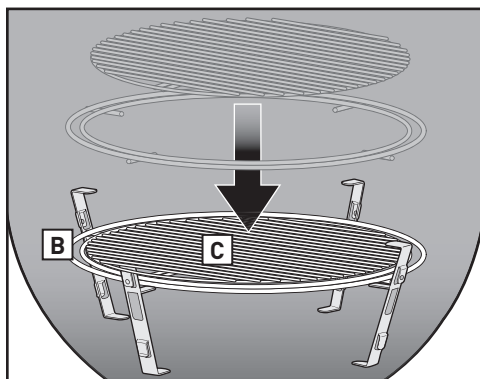
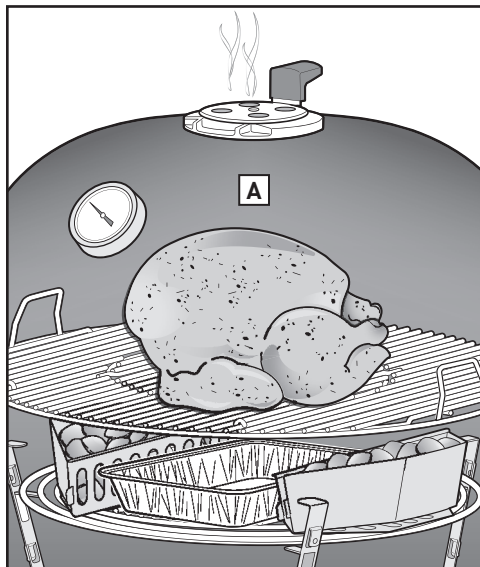
8. Une fois la grille de cuisson préchauffée, à l'aide d'une brosse pour grille à poils en acier inoxydable ou d'un grattoir, nettoyez la grille de cuisson (G).

*REMARQUE : Si vous employez une brosse pour grille à poils en acier inoxydable, remplacez la brosse dès que vous commencez à retrouver des poils détachés sur la grille de cuisson ou sur la brosse.*

9. Déposez les aliments sur la grille de cuisson entre les paniers à charbon Char-Basket et fermez le couvercle du barbecue. La rotation du registre de couvercle RAPIDFIRE augmente ou diminue la chaleur souhaitée à l'intérieur du barbecue (H). Reportez-vous à votre recette pour connaître le temps et température de cuisson recommandés. Reportez-vous au thermomètre du couvercle pour connaître la température interne souhaitée du barbecue.

## Une fois la cuisson terminée

Fermez le registre du couvercle et les orifices d'aération de cuve afin d'éteindre le charbon.





# MÉTHODES DE CUISSON — FUMAGE

## FUMAGE

Le fumage consiste à cuire les aliments à basse température pendant une longue durée à l'aide de morceaux ou de copeaux de bois dur véritable (A). Cette technique est d'ailleurs également appelée « cuisson lente à basse température ». Ce mode de cuisson permet à vos aliments de conserver leurs sucs et saveurs afin d'obtenir une viande extrêmement tendre. Le fumage fonctionne à merveille pour les gros morceaux de viande tels que la poitrine de bœuf, la dinde, l'épaule de porc, les côtes levées et le poulet entier.

*REMARQUE : Un climat froid ou une altitude élevée augmentent les temps de cuisson. Les conditions météorologiques venteuses augmenteront la température du barbecue.*

## Préparation du barbecue pour le fumage

1. Placez la grille foyère (B) en position basse dans la cuve, puis l'anneau de fixation en position médiane dans la cuve (C).

*REMARQUE : 35 à 45 briquettes fourniront 8 à 10 heures de cuisson. Pour les aliments dont la cuisson est plus longue, il faudra plus de charbon. Pour plus d'informations, reportez-vous au tableau « Temps de cuisson et de fumage ».*

2. Allumez le charbon. Reportez-vous à la section « ALLUMER LE CHARBON » de ce guide du propriétaire.

*REMARQUE : Le couvercle, les registres et les orifices d'aération doivent rester ouverts lors de l'allumage du charbon.*

3. Une fois le charbon allumé, enfillez des gants ou mitaines pour barbecue. À l'aide de longues pinces, ajoutez des morceaux ou des copeaux de bois de fumage WEBER sur le périmètre des braises (D).
4. Placez la plaque de diffusion au centre l'anneau de fixation (E).

*REMARQUE : Placez une barquette jetable sur la plaque de diffusion afin de récupérer les gouttes et minimiser le temps de nettoyage. Ajoutez deux barquettes quand vous fumez de plus gros morceaux de viande.*

5. Placez la grille de cuisson en position haute dans la cuve (F).
6. Fermez le couvercle du barbecue.
7. Une fois que le barbecue a atteint la zone de fumage sur le thermomètre (G), placez le bras du registre de la cuve en position fumage (H) et tournez le registre de couvercle RAPIDFIRE (I) en conséquence pour maintenir la température de fumage recommandée.

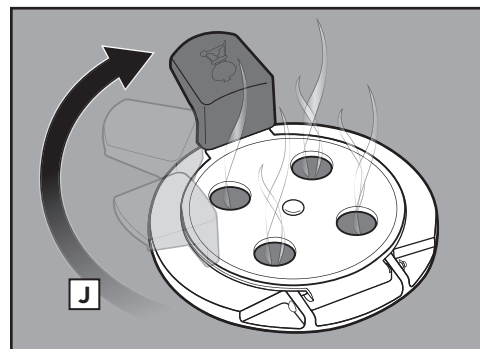
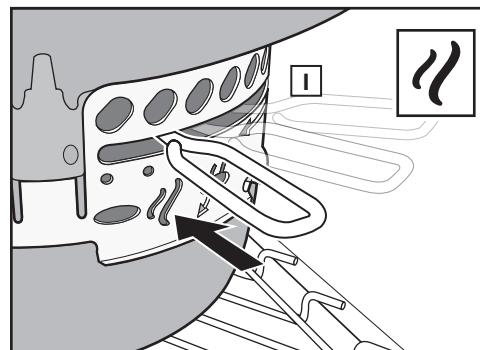
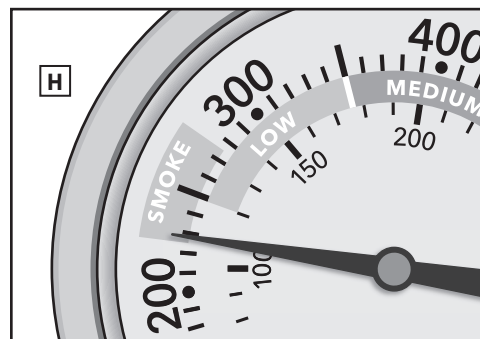
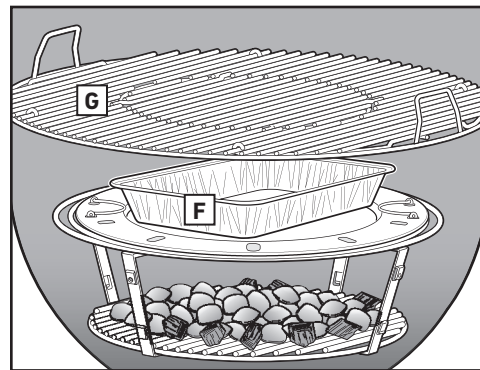
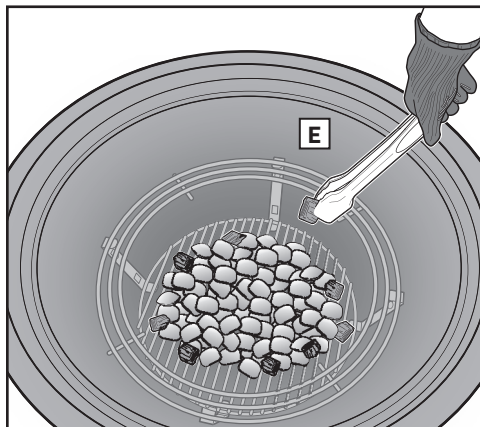
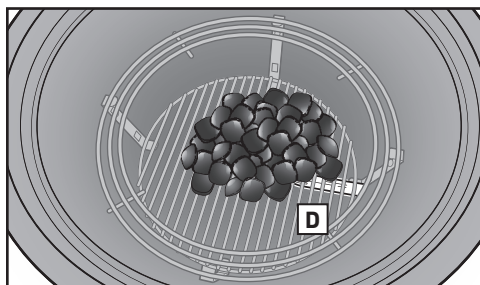
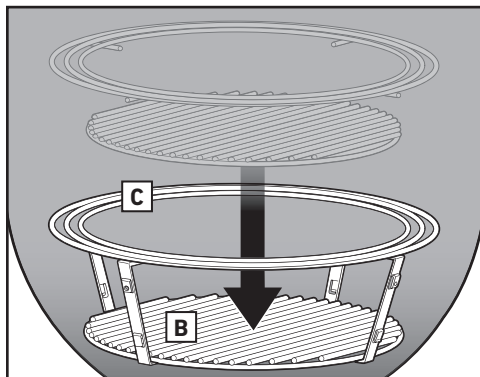
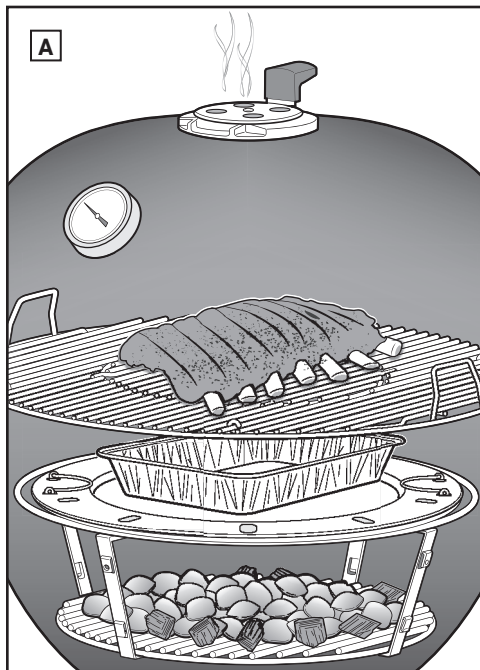
8. Ouvrez le couvercle du barbecue et nettoyez la grille de cuisson à l'aide d'un grattoir ou d'une brosse à grille à poils en acier inoxydable.

*REMARQUE : Si vous employez une brosse pour grille à poils en acier inoxydable, remplacez la brosse dès que vous commencez à retrouver des poils détachés sur la grille de cuisson ou sur la brosse.*

9. Placez les aliments au centre de la grille de cuisson. Reportez-vous à votre recette pour connaître le temps de cuisson recommandé.

## Une fois la cuisson terminée

Fermez le registre du couvercle et les orifices d'aération de cuve afin d'éteindre le charbon.







# MÉTHODES DE CUISSON — FUMAGE

## Quantité de charbon pour les temps de fumage et de cuisson

	Poids	Temps de cuisson	Briquettes de charbon	Morceaux de bois
POISSON	0,45 - 1,36 kg (1 lb à 3 lb)	1 à 2½ heures	60 à 80 briquettes (1¾ tasse)	2 à 4
	1,36 - 2,7 kg (3 lb à 6 lb)	2½ à 4 heures	60 à 80 briquettes (1¾ tasse)	2 à 4
VOLAILLE	0,9 - 1,36 kg (2 lb à 3 lb)	2 à 3½ heures	60 à 80 briquettes (1¾ tasse)	1 à 3
	1,81 - 3,62 kg (4 lb à 8 lb)	3½ à 4 heures	80 à 100 briquettes (2¾ tasses)	2 à 4
	3,62 - 5,44 kg (8 lb à 12 lb)	4 à 5 heures	80 à 100 briquettes (2¾ tasses)	3 à 4
	5,44 - 8,1 kg (12 lb à 18 lb)	8 à 10 heures	100 à 120 briquettes (2¾ tasses)	3 à 5
PORC	1,81 - 3,62 kg (4 lb à 8 lb)	5 à 8 heures	80 à 100 briquettes (2¾ tasses)	3 à 4
	3,62 - 5,44 kg (8 lb à 12 lb)	8 à 12 heures	100 à 120 briquettes (2¾ tasses)	3 à 5
BŒUF	1,81 - 3,62 kg (4 lb à 8 lb)	7 à 12 heures	80 à 120 briquettes (2¾ tasses)	3 à 5
	3,62 - 5,44 kg (8 lb à 12 lb)	12 à 18 heures	120 à 140 briquettes (3¾ tasses)	3 à 5

Sauf indication contraire, les temps de cuisson du bœuf ont été établis selon la définition de « cuisson moyenne » établie par le Département de l'Agriculture des États-Unis (USDA). Les temps de cuisson indiqués concernent les aliments qui ont été complètement décongelés. Les poids, quantité de charbon et temps de cuisson suivants sont des guides et non des règles strictes. Des facteurs comme l'altitude, le vent et la température extérieure peuvent influencer sur le temps de cuisson.

⚠ AVERTISSEMENT : N'utilisez jamais du charbon imbibé de liquide d'allumage.

## Saveurs de bois pour le fumage

Saveur de bois	Caractéristiques	Se marie avec
<b>Pommier</b>	SUBTILE Saveur de fumée légèrement sucrée et fruitée, mais plus dense.	Poisson Volaille Porc (particulièrement le jambon) Légumes
<b>Cerisier</b>	SUBTILE Saveur de fumée légèrement sucrée et fruitée.	Poisson Volaille Porc Légumes
<b>Hickory</b>	RICHE Forte et fumée avec une saveur de bacon	Volaille Porc Bœuf
<b>Hêtre</b>	SUBTILE Délicate avec une saveur légèrement fumée	Poisson Volaille Porc Agneau Légumes
<b>Pacancier</b>	RICHE Forte avec une saveur sucrée. Idéal pour fumer à très basse température.	Poisson Volaille Porc Agneau Bœuf
<b>Mesquite</b>	RELEVÉE Saveur relevée et de fumée avec une finale à la limite de l'amertume.	Porc Agneau Bœuf

## TRUCS ET ASTUCES POUR RÉUSSIR VOS GRILLADES

### Choisissez un endroit adéquat

- Utilisez ce barbecue à l'extérieur seulement, dans un endroit bien aéré. Ne l'utilisez pas dans un garage, un bâtiment, un passage couvert ou tout autre espace clos.
- Installez toujours le barbecue sur une surface plane et sûre.
- N'utilisez pas le barbecue à moins de 61 cm (deux pieds) d'un matériau combustible. Les matériaux combustibles incluent notamment les terrasses, les patios et les vérandas en bois naturel ou traité.

### Préchauffez le barbecue

Le préchauffage du barbecue est un facteur clé pour la cuisson directe, indirecte et le fumage. Lorsque le barbecue est préchauffé, la chaleur détache les restes alimentaires collés à la grille, ce qui facilite leur élimination à l'aide d'une brosse pour grille à poils en acier inoxydable ou d'un grattoir à bois. De plus, le préchauffage du barbecue chauffe suffisamment la grille pour bien saisir les aliments et évite que ceux-ci n'y adhèrent.

### Portez des gants

Portez toujours des gants ou des mitaines pour barbecue lorsque vous utilisez votre barbecue au charbon. Les orifices d'aération, registres, poignées et la cuve devenant chauds pendant la cuisson, veillez à protéger vos mains et avant-bras.

### Allumer le charbon

WEBER recommande d'utiliser une cheminée d'allumage (vendue séparément) et des cubes d'allumage (vendus séparément) pour allumer le charbon. Évitez d'employer du liquide d'allumage, car il peut donner un arrière-goût chimique à vos aliments.

### Huilez les aliments et non la grille

En huilant légèrement vos aliments, vous ajoutez de la saveur et de l'humidité, tout en évitant que les aliments ne collent à la grille. Nous recommandons de ne pas huiler la grille, car cela pourrait provoquer des flambées inutiles.

### Fermez le couvercle

Gardez le couvercle fermé autant que possible pour les raisons suivantes :

1. Cela maintient la grille suffisamment chaude pour saisir les aliments lors de la cuisson directe.
2. Cela conserve le goût fumé qui se développe lorsque les graisses et sucs s'évaporent.
3. Cela évite les flambées en limitant l'apport en oxygène.

### Les pratiques de la plaque de diffusion

Lorsque vous fumez, la plaque de diffusion aide à maintenir des températures basses constantes et redirige la chaleur et la fumée autour des aliments. Toutefois, la plaque de diffusion peut également être utilisée lors de la cuisson indirecte pour maximiser l'espace de cuisson. Ne mettez jamais des aliments ou du combustible sur la plaque de diffusion.

### Maîtrisez le feu

Des flambées peuvent se produire. Elles permettent de saisir la surface des aliments que vous faites cuire. Cependant, trop de flambées peuvent provoquer la carbonisation des aliments. Maintenir le couvercle fermé autant que possible permet de limiter l'apport en oxygène dans le barbecue, ce qui aide à éteindre les éventuelles flambées. Si vous perdez le contrôle sur les flammes déplacez temporairement vos grillades sur une zone de cuisson indirecte jusqu'à ce qu'elles s'éteignent.

### Surveillez le temps et la température

Un climat froid ou une altitude élevée augmentent les temps de cuisson. Les conditions météorologiques venteuses augmenteront la température du barbecue.

### Veillez à sa propreté

Suivez ces quelques instructions d'entretien de base afin de conserver l'apparence et les performances de votre barbecue pendant des années. Veillez à retirer les amas de cendres et de charbon usagé du fond de la cuve et du cendrier avant chaque utilisation.

### Fumage au bois

Expérimenter avec différents bois pour le fumage est encouragé afin de trouver l'équilibre parfait entre sucré et salé. Lorsque vous fumez pendant de longues périodes, veillez à toujours utiliser des morceaux de bois au lieu de copeaux de bois. Les morceaux permettent un fumage plus long qui pénètre lentement sur une longue période de cuisson. Les copeaux de bois fonctionnent mieux pour un temps de cuisson plus court parce qu'ils ne durent pas aussi longtemps pendant un fumage long.



## NETTOYAGE DE L'INTÉRIEUR DU BARBECUE

Nettoyer l'intérieur de votre barbecue avant chaque utilisation est essentiel pour maintenir les performances de votre barbecue pendant des années.

⚠ **AVERTISSEMENT** : Attendez que le barbecue refroidisse avant de le nettoyer soigneusement.

### Nettoyage du couvercle

À l'occasion, vous pourriez remarquer des écaillures « semblables à de la peinture » à l'intérieur du couvercle du barbecue. Lorsque le barbecue est utilisé, les vapeurs de graisse et de fumée se transforment lentement en carbone et se déposent à l'intérieur du couvercle. Ce dépôt finira par se détacher de la paroi, d'une façon semblable à de la peinture qui s'écaille. Ces dépôts ne sont pas toxiques, mais les écaillures pourraient tomber sur vos aliments si vous ne nettoyez pas le couvercle régulièrement.

Vous en aurez besoin : un tampon à récurer en maille de nylon non abrasif et un essuie-tout.

1. Enlevez la graisse carbonisée à l'intérieur du couvercle du barbecue à l'aide d'un tampon à récurer (A). Pour minimiser l'accumulation future de graisse, essuyez l'intérieur du couvercle avec un essuie-tout après chaque utilisation; faites-le lorsque le barbecue est tiède (pas chaud) au toucher.

### Nettoyage des grilles de cuisson et de la plaque de diffusion

Si vous avez nettoyé vos grilles de cuisson de manière routinière après le préchauffage, les débris sur vos grilles devraient être minimes. Vous devez également faire un effort pour réduire au minimum les débris et l'accumulation sur votre plaque de diffusion entre les repas. L'utilisation d'une barquette jetable minimum la quantité de nettoyage nécessaire.

Vous en aurez besoin : une brosse pour grille de cuisson à poils en acier inoxydable ou un grattoir à bois.

1. Pendant l'installation de la grille de cuisson dans le barbecue, enlevez les résidus à l'aide d'une brosse à poils en acier inoxydable ou à l'aide d'un grattoir en bois (B).
- ⚠ **ATTENTION** : Vérifier régulièrement que les brosses pour grille de cuisson ne perdent pas leurs poils ou ne présentent pas de signe d'usure excessive. Changez de brosse si vous trouvez des poils sur la grille de cuisson ou la brosse. Weber recommande d'acheter une nouvelle brosse à grille à poils en acier inoxydable chaque année, au début du printemps.
2. Retirez la grille de cuisson du barbecue.
  3. Avec la plaque de diffusion installée dans le barbecue, enlevez les résidus à l'aide d'une brosse à grille à poils en acier inoxydable.
  4. Retirez la plaque de diffusion.
  5. Avec la grille foyère installée dans le barbecue, enlevez les résidus à l'aide d'une brosse à grille à poils en acier inoxydable.

### Nettoyage de la cuve

Avant chaque utilisation et pour de meilleures performances de cuisson, retirez les amas de cendres et de charbon usagé du fond de la cuve et du cendrier.

1. Ouvrez le couvercle du barbecue et retirez la grille de cuisson, la plaque de diffuseur et la grille foyère.
2. Enlevez les cendres et les vieux morceaux de charbon gisant dans le fond de la cuve. Le charbon a besoin d'oxygène pour brûler. Veillez donc à ce que rien n'obstrue les orifices d'aération. Faites glisser la poignée du système de nettoyage ONE-TOUCH d'avant en arrière afin d'envoyer les cendres présentes au fond de la cuve dans le cendrier (D).
3. Serrez la poignée du cendrier pour le retirer du barbecue (E). Une fois complètement refroidi, jetez les cendres froides dans un récipient sûr pour en disposer et replacer le cendrier de grande capacité.

## NETTOYAGE DE L'EXTÉRIEUR DU BARBECUE

L'extérieur de votre barbecue peut comprendre des surfaces en acier inoxydable, en émail et en plastique. WEBER recommande les méthodes suivantes selon le type de surface. Assurez-vous que toutes les braises sont totalement éteintes et que le barbecue est froid avant de nettoyer l'extérieur.

### Surfaces en acier inoxydable

Nettoyez l'acier inoxydable à l'aide d'un nettoyant ou d'un produit à polir non toxique et non abrasif fait pour les produits d'extérieur et les barbecues en acier inoxydable ou simplement avec du savon et de l'eau. Ne prenez pas le risque d'égratigner les surfaces en acier inoxydable en utilisant des pâtes abrasives qui ne nettoient ni ne polissent, mais modifient la couleur du métal en enlevant la revêtement supérieur d'oxyde de chrome. N'utilisez pas d'essuie-tout. Utilisez plutôt un chiffon microfibre pour essuyer les surfaces en acier inoxydable.

Vous en aurez besoin : un chiffon microfibre, un nettoyant pour acier inoxydable ou du savon et de l'eau.

1. Pulvérisez le nettoyant sur les zones en acier inoxydable du barbecue. Utilisez un chiffon microfibre, frottez dans le sens de l'acier inoxydable et laissez sécher.
2. Si vous utilisez du savon et de l'eau, utilisez un chiffon microfibre pour appliquer de l'eau savonneuse, puis rincez à l'eau et laissez sécher.

### Surfaces peintes, en porcelaine émaillée et composants en plastique

Nettoyez les surfaces peintes et émaillées et les surfaces plastiques situés à l'extérieur de votre barbecue à l'eau savonneuse chaude.

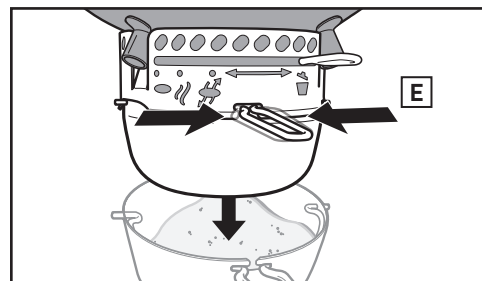
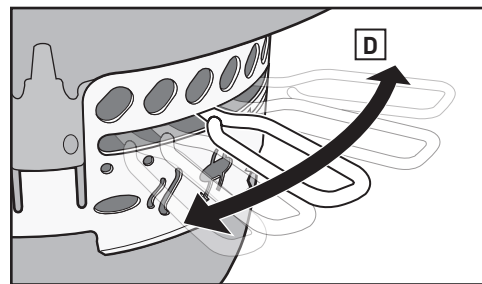
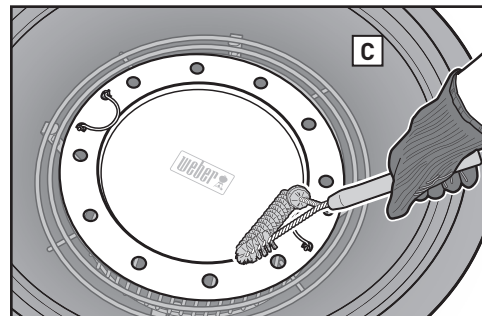
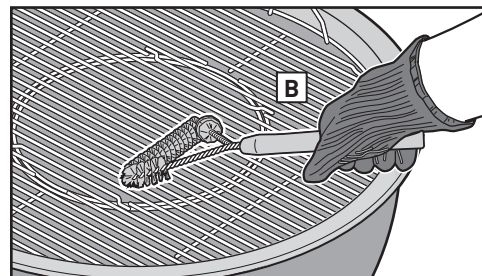
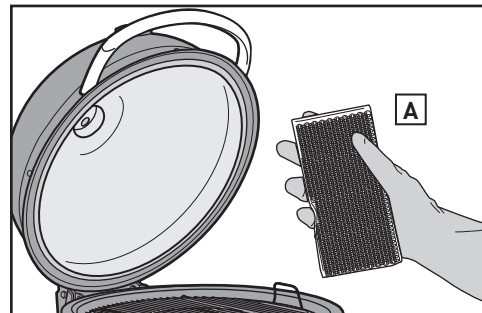
Vous en aurez besoin : eau savonneuse tiède, des essuie-tout ou un chiffon microfibre.

1. Frottez les surfaces à l'eau savonneuse tiède. Rincez et séchez complètement.

⚠ **IMPORTANT** : N'utilisez pas les éléments suivants pour nettoyer votre barbecue : des nettoyants ou peintures abrasifs à acier inoxydable, des nettoyants contenant de l'acide, de l'essence minérale ou du xylène, des nettoyants pour four, des détergents abrasifs (pour cuisine) ou des tampons de nettoyage abrasifs.

## NETTOYAGE DE L'EXTÉRIEUR DE BARBECUES SITUÉS DANS DES ENVIRONNEMENTS PARTICULIERS

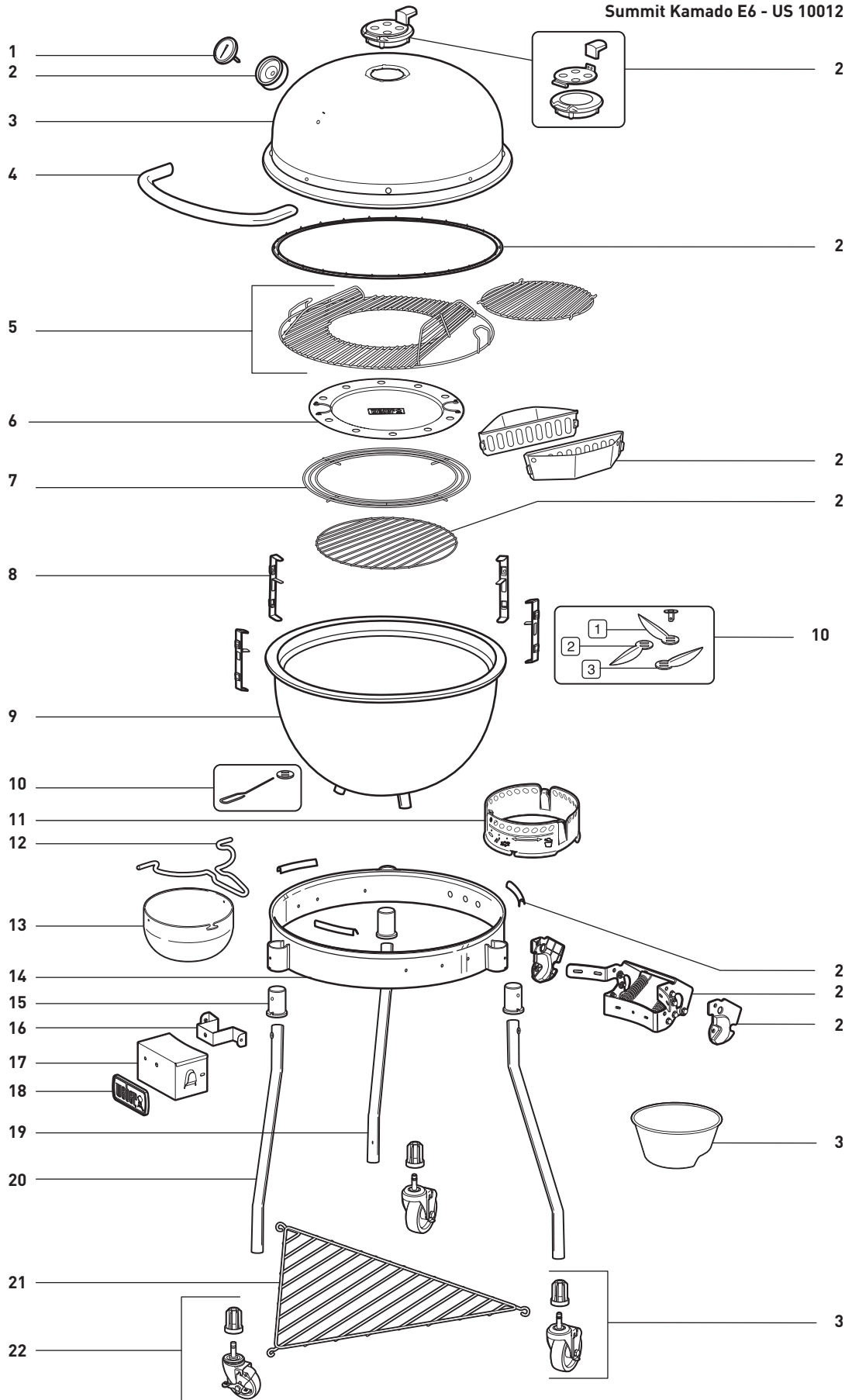
Si votre barbecue est soumis à des conditions particulièrement difficiles, il est recommandé d'en laver l'extérieur plus souvent. Les pluies acides, les produits chimiques pour piscine et l'eau salée peuvent entraîner la formation de rouille. Frottez l'extérieur de votre barbecue à l'eau savonneuse tiède. Ensuite, rincez-le et séchez-le minutieusement. De plus, vous pouvez appliquer une solution nettoyante pour acier inoxydable non abrasive chaque semaine afin de prévenir la formation de rouille.





# PIÈCES DE RECHANGE

Summit Kamado E6 - US 10012





Weber-Stephen Products LLC  
[www.weber.com](http://www.weber.com)

© 2020. Conçu et fabriqué par Weber-Stephen Products LLC,  
1415 S. Roselle Road, Palatine, Illinois 60067 É.-U.