



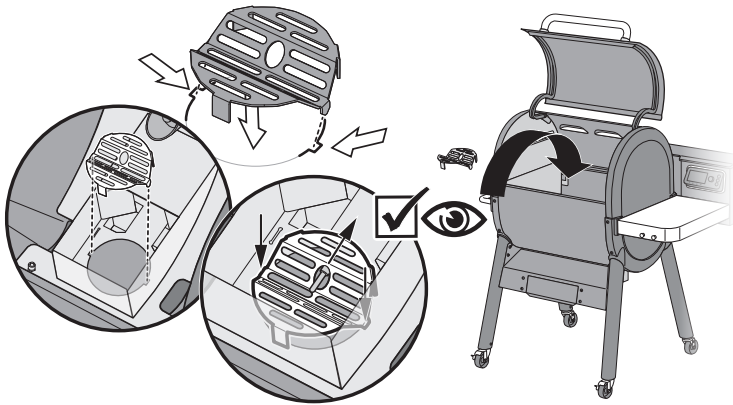
SmokeFire



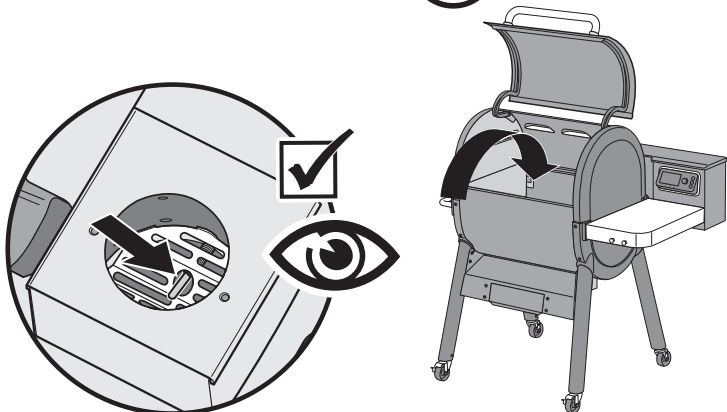
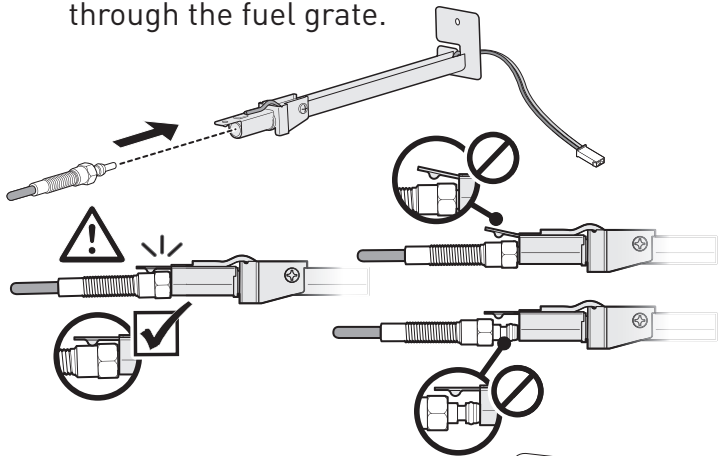
IMPORTANT ITEMS TO CHECK

As you follow the assembly and maintenance steps, it is important to check the proper placement of a few key parts to ensure a successful cook.

- Check to see if the fuel grate is correctly aligned in the burn pot.



- Check that the glow plug is fully seated in the shuttle against the grounding tab. After it is installed, make sure the glow plug is visible through the fuel grate.

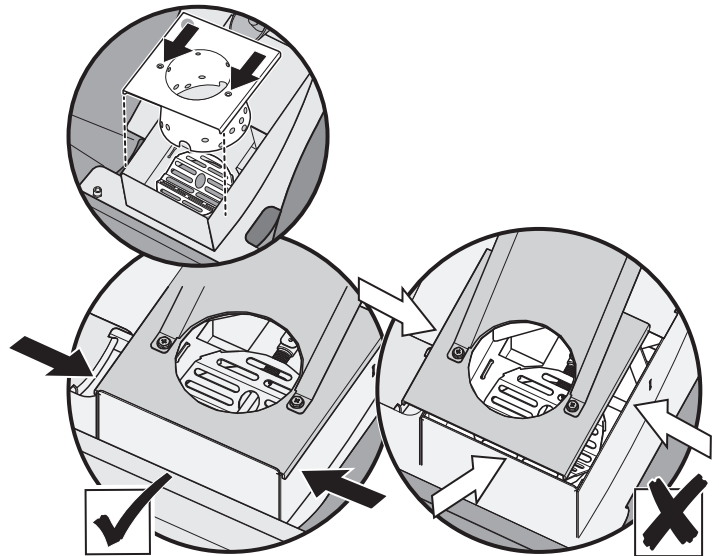


QUICK TIPS ON ASSEMBLY FOR PERFECT COOKING

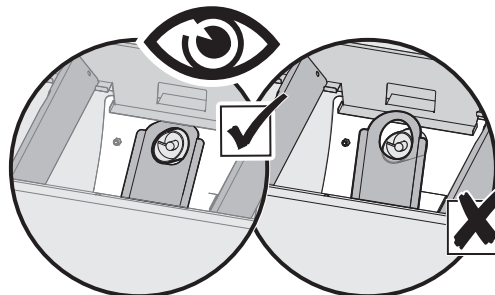
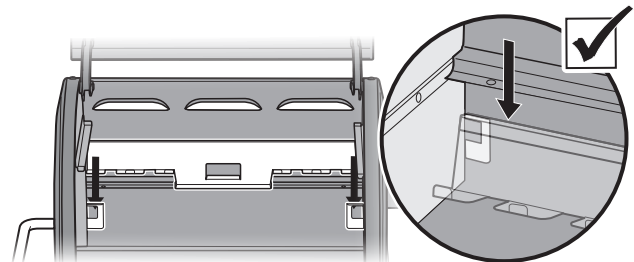


Download the free BILT app for 3D step-by-step instructions.

- Check that the burn pot cover is installed with the screw holes for the pellet slide positioned closer to the front of the grill, and that the cover is centered on either side.



- Check that the front and back Flavorizer brackets are pushed all the way down on their mounting tabs and the pellet slide is positioned under the Flavorizer bracket.



53500

08/21/20
US - English



CONTINUOUS MONITORING DURING A COOK

The SMOKEFIRE grill uses smart technology to monitor your grill's temperature and provide feedback if it detects any issues.

For example, if the wood pellets are not burning and the grill temperature is below certain parameters for a prolonged period of time, this can trigger a response which requires the grill to shut down in order for you to safely check the cookbox. These responses appear as an error code on the controller.

Error Code E3: Grill Flame Out

This message appears during a cook, only if the temperature drops continuously. Sweep the pellets to eliminate any voids in the hopper. Allow the grill to shut down and cool.

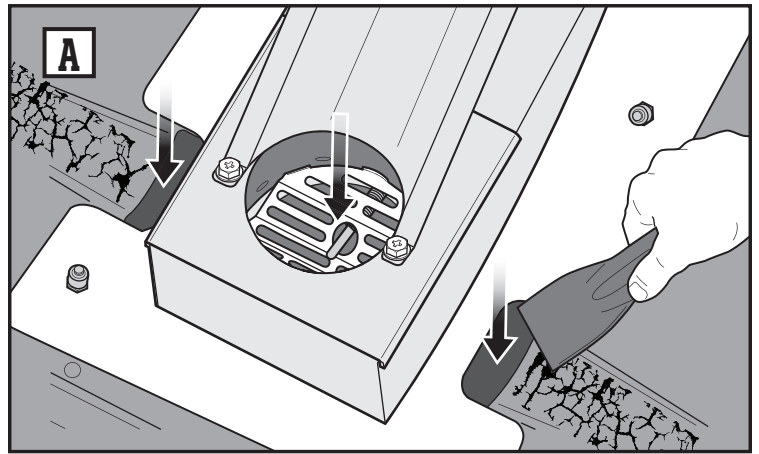
Clean out any ash and unburned fuel from the cookbox and burn pot (A) before restarting the grill.

Error Code E6: Start Up Failure

This message appears during start-up, only if the temperature does not rise within 10 minutes. Allow the grill to shut down and cool.

Clean out any ash and unburned fuel from the cookbox and burn pot (A) before restarting the grill.

Restart the grill and confirm the glow plug turns on and glows orange. If it does not, replace the glow plug following the instructions in the owner's manual.



Low Fuel Notification

The Low Fuel alert was designed to give an adequate amount of time to add fuel (pellets) to the grill, similar to the low fuel alert in your car. You'll receive a notification if pellets are running low, giving you enough time to sweep the remaining pellets level in the hopper, and grab another bag to refuel, all while your cook continues.

Troubleshooting

Refer to the Troubleshooting section of the owner's manual for full details on these and other notifications.



WEBER-STEPHEN PRODUCTS LLC
www.weber.com