



**Summit**


# RAIN COVER REPLACEMENT INSTRUCTIONS

**THIS PROCEDURE SHOULD ONLY BE PERFORMED BY AN AUTHORIZED  
WEBER-STEPHEN PRODUCTS CO. SERVICE TECHNICIAN**

**⚠ WARNING: GENUINE WEBER-STEPHEN REPLACEMENT PARTS MUST BE USED FOR ANY REPAIR OR REPLACEMENT. YOUR ACTIONS, IF YOU FAIL TO FOLLOW THIS PRODUCT WARNING, MAY CAUSE A FIRE, AN EXPLOSION, OR STRUCTURAL FAILURE RESULTING IN SERIOUS PERSONAL INJURY OR DEATH AS WELL AS DAMAGE TO PROPERTY.  
(WILL VOID ALL WARRANTY PROTECTION.)**

**⚠ DANGER: BEFORE PERFORMING ANY WORK MAKE SURE THE GAS SUPPLY IS TURNED OFF AT THE SOURCE. FAILURE TO FOLLOW DANGERS, WARNINGS AND CAUTIONS CONTAINED IN THIS INSTRUCTION SHEET MAY CAUSE A FIRE OR AN EXPLOSION RESULTING IN SERIOUS PERSONAL INJURY OR DEATH AS WELL AS DAMAGE TO PROPERTY.**

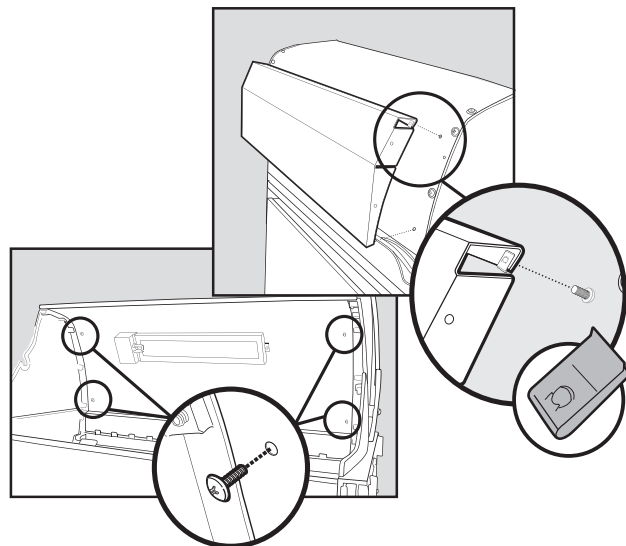
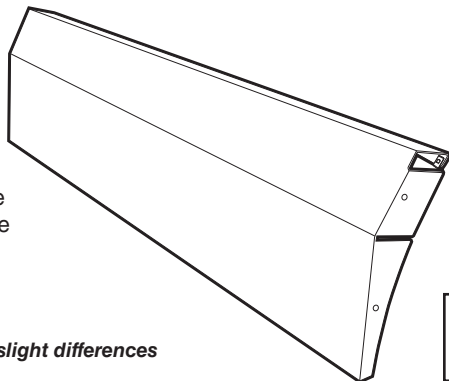
## 1 RAIN COVER REPLACEMENT

**TOOLS NEEDED:**  - PHILLIPS

**⚠ BEFORE STARTING:** Make sure the shroud is down and the casters are locked to prevent the grill from moving.

### Rain Cover Replacement:

- A) *Lift the lid on the grill.*  
Remove the four (4) screws from the inside of the cookbox assembly.
- B) *Close the lid on the grill.* Lift the rain cover up and away from the cookbox assembly.



**NOTE:** The grills illustrated may have slight differences than the model purchased.

**INSTALL THE NEW RAIN COVER, THEN FOLLOW STEPS IN REVERSE ORDER FOR GRILL RE-ASSEMBLY.**

**⚠ PROPOSITION 65 WARNING: HANDLING THE BRASS MATERIAL ON THIS PRODUCT EXPOSES YOU TO LEAD, A CHEMICAL KNOWN TO THE STATE OF CALIFORNIA TO CAUSE CANCER, BIRTH DEFECTS OR OTHER REPRODUCTIVE HARM.  
(WASH HANDS AFTER HANDLING THIS PRODUCT.)**

**⚠ WARNING: All repairs to gas carrying, gas burning, igniter components or structural components must be performed by an authorized Weber-Stephen Products Co. service technician.**

These parts may be gas carrying, gas burning components, igniter components or structural components. Please contact Weber-Stephen Products Co., Customer Service Department for Genuine Weber-Stephen Products Co. replacement part(s) information.

**⚠ WARNING: Do not attempt to make any repair to gas carrying, gas burning, igniter components or structural components without contacting Weber-Stephen Products Co., Customer Service Department. Your actions, if you fail to follow this Product Warning, may cause a fire, an explosion, or structural failure resulting in serious personal injury or death as well as damage to property.**



WEBER-STEPHEN PRODUCTS CO.  
Customer Service Center  
1890 Roselle Road, Suite 308  
Schaumburg, IL 60195

1-800-446-1071 (USA ONLY)  
www.weber.com