

**THIS PROCEDURE SHOULD ONLY BE PERFORMED BY AN AUTHORIZED WEBER-STEPHEN PRODUCTS CO. SERVICE TECHNICIAN**

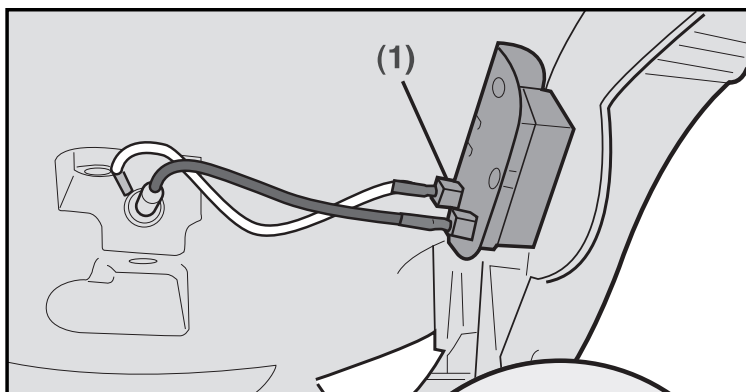
**⚠ WARNING: GENUINE WEBER-STEPHEN REPLACEMENT PARTS MUST BE USED FOR ANY REPAIR OR REPLACEMENT. YOUR ACTIONS, IF YOU FAIL TO FOLLOW THIS PRODUCT WARNING, MAY CAUSE A FIRE, AN EXPLOSION, OR STRUCTURAL FAILURE RESULTING IN SERIOUS PERSONAL INJURY OR DEATH AS WELL AS DAMAGE TO PROPERTY. (WILL VOID ALL WARRANTY PROTECTION.)**

**⚠ DANGER: BEFORE PERFORMING ANY WORK MAKE SURE THE GAS SUPPLY IS TURNED OFF AT THE SOURCE. FAILURE TO FOLLOW DANGERS, WARNINGS AND CAUTIONS CONTAINED IN THIS INSTRUCTION SHEET MAY CAUSE A FIRE OR AN EXPLOSION RESULTING IN SERIOUS PERSONAL INJURY OR DEATH AS WELL AS DAMAGE TO PROPERTY.**

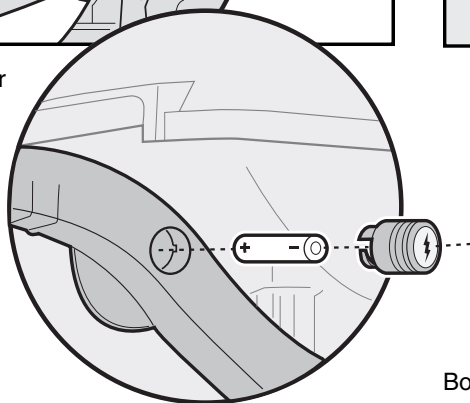
**TOOLS NEEDED:**



- 1) Remove both of the ignition wires attached to the terminals (1) on the igniter module.

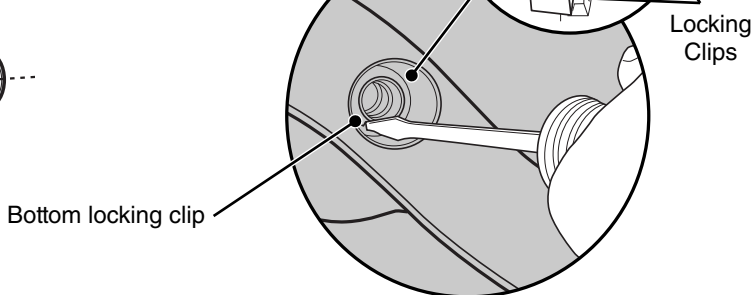
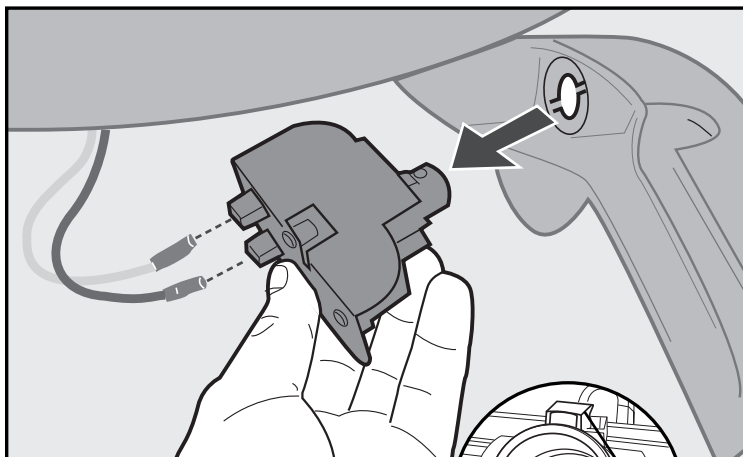


- 2) Remove the battery and igniter button from the front of the igniter module by turning it counter clockwise.



**⚠ IMPORTANT NOTE: If it has been close to a year since the battery was changed, this would be a good time to replace it.**

- 2) *Inside the front cradle assembly:* Using a small screwdriver, apply upward pressure to the bottom locking clip. At the same time pulling the igniter module back and slightly up until the igniter module begins to loosen from the cradle assembly.



- 3) While holding onto the igniter module, apply downward pressure to the upper locking clip (on the opposite side of igniter module) until it completely releases from the front cradle.
- 4) Replace with new igniter module. Make sure new igniter module is securely snapped into the cradle assembly.  
**Follow steps in reverse order for complete installation.**
- 5) Check the electronic igniter module for proper operation and spark (should be able to hear a clicking noise and see a spark).

**⚠ WARNING: Make sure that all parts are assembled and hardware is fully tightened before operating the grill. Your actions, if you fail to follow this Product Warning, may cause a fire, an explosion, or structural failure resulting in serious personal injury or death as well as damage to property.**

**⚠ WARNING: Make sure that all control knobs are turned to the OFF position before reconnecting the gas supply and operating the grill. Your actions, if you fail to follow this Product Warning, may cause a fire, an explosion, or structural failure resulting in serious personal injury or death as well as damage to property.**

**⚠ WARNING: All repairs to gas carrying, gas burning, ignition components or structural components should be performed by a authorized Weber-Stephen Products Co. service technician.**

These parts may be gas carrying, gas burning components, ignition components or structural components. Please contact Weber-Stephen Products Co., Customer Service Department for Genuine Weber-Stephen Products Co. Replacement Part(s) information.

**⚠ WARNING: Do not attempt to make any repair to gas carrying, gas burning, igniter components or structural components without contacting Weber-Stephen Products Co., Customer Service Department. Your actions, if you fail to follow this Product Warning, may cause a fire, an explosion, or structural failure resulting in serious personal injury or death as well as damage to property.**



WEBER-STEPHEN PRODUCTS CO.  
Customer Service Center  
1890 Roselle Road, Suite 308  
Schaumburg, IL 60195

1-800-446-1071 (USA ONLY)  
[www.weber.com](http://www.weber.com)<sup>®</sup>