



Summit®

CONTROL PANEL / CONTROL KNOBS / BEZELS REPLACEMENT INSTRUCTIONS

**THIS PROCEDURE SHOULD ONLY BE PERFORMED BY A QUALIFIED
WEBER SERVICE TECHNICIAN OR YOUR QUALIFIED GAS SUPPLIER**

**⚠ WARNING: BEFORE PERFORMING ANY WORK
MAKE SURE THE GAS SUPPLY IS TURNED OFF AND
DISCONNECTED AT THE SOURCE.**

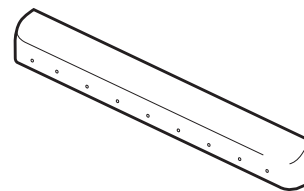
**⚠ BEFORE STARTING: Verify that the part(s) you are
replacing match the part(s) that you received. This
replacement sheet works with several different models
grills.**



**SEE STEP #1:
KNOBS**



**SEE STEP #1:
BEZELS**



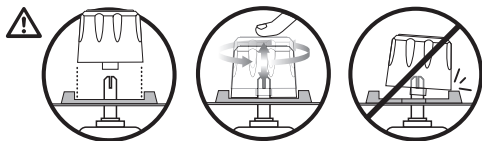
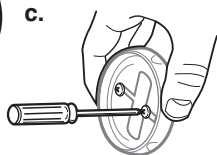
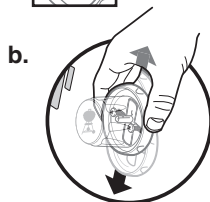
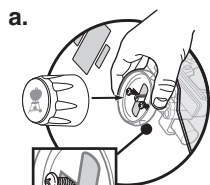
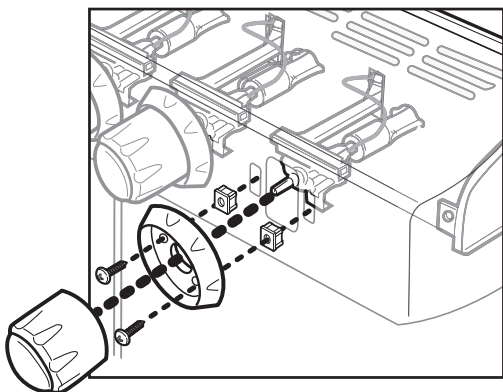
**SEE STEP #2:
CONTROL PANEL**

TOOLS NEEDED:



- PHILLIPS

1 KNOB/BEZEL REPLACEMENT

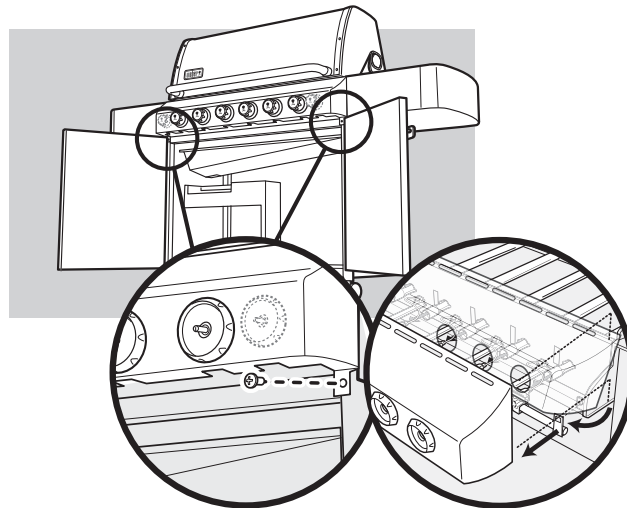


**⚠ Warning: Make sure new knob(s) is(are) turned to the
OFF position after replacement.**

2 CONTROL PANEL REPLACEMENT

1-1 Remove Control Panel and Burner Control Knobs

- A) Remove control knobs.
- B) Remove screw and washer from the underside of control panel with a Phillips screwdriver.
- C) Tilt panel forward and lift up and away from grill.

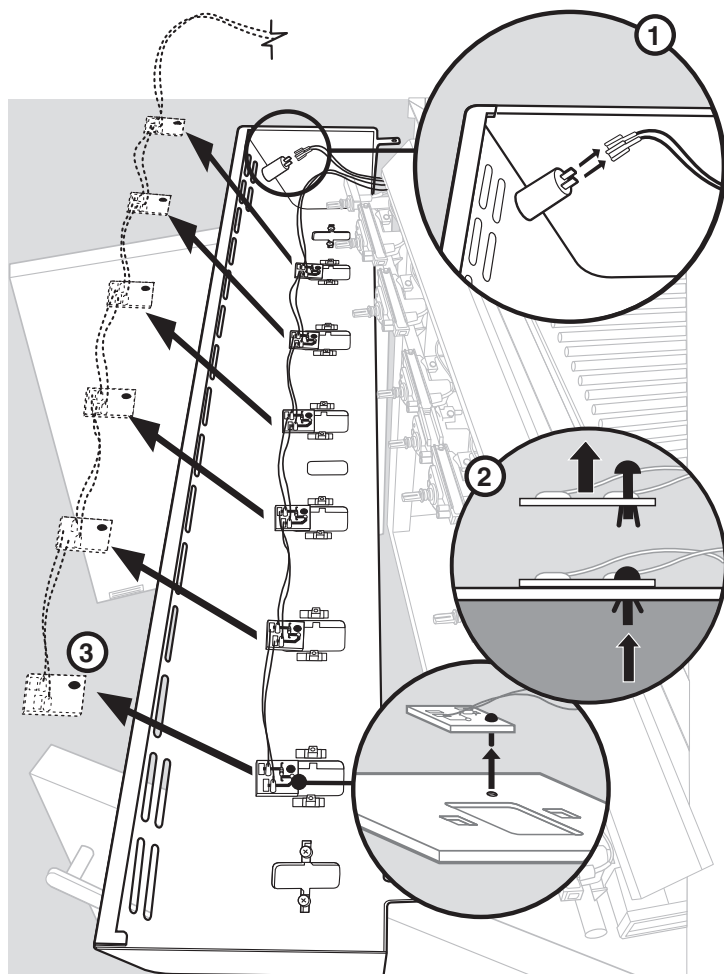


STEPS 3 AND 4 OVER

3 WIRING HARNESS REMOVAL

Remove wiring harness.

- A) Remove control panel, Tilt control panel forward and rest it on the open doors of the grill (see Illustration).
- B) Disconnect the leads from the Light Switch Assembly (1)
- C) Remove each LED unit from the control panel. Push up on the plastic anchor pin of the LED unit as shown (2). Once the anchors are free, the LED units can be lifted from the control panel (3).



4 INSTALL NEW CONTROL PANEL

Follow steps 3 & 4 in reverse order for reassembly.



WEBER-STEPHEN PRODUCTS CO.
Customer Service Center
1890 Roselle Road, Suite 308
Schaumburg, IL 60195

1-800-446-1071 (USA ONLY)
www.weber.com