



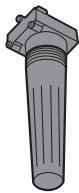
# Summit®

## BATTERY HOUSING REPLACEMENT INSTRUCTIONS

**THIS PROCEDURE SHOULD ONLY BE PERFORMED BY A QUALIFIED WEBER SERVICE TECHNICIAN OR YOUR QUALIFIED GAS SUPPLIER**

**⚠ CAUTION: MAKE SURE GRILL IS OFF AND COOL BEFORE BEGINNING.**

**⚠ BEFORE STARTING: Verify that the part(s) you are replacing match the part(s) that you received. This replacement sheet works with several different models grills.**



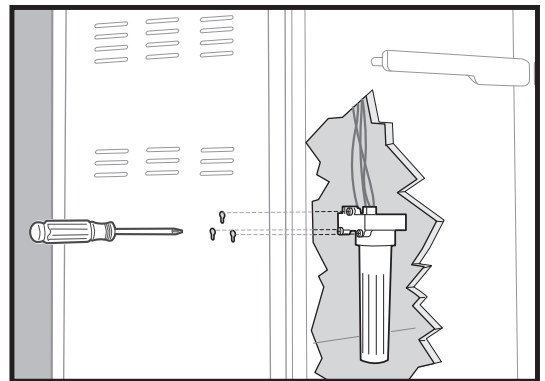
**SEE STEP #1:  
HOUSING REPLACEMENT**

**TOOL  
NEEDED:**



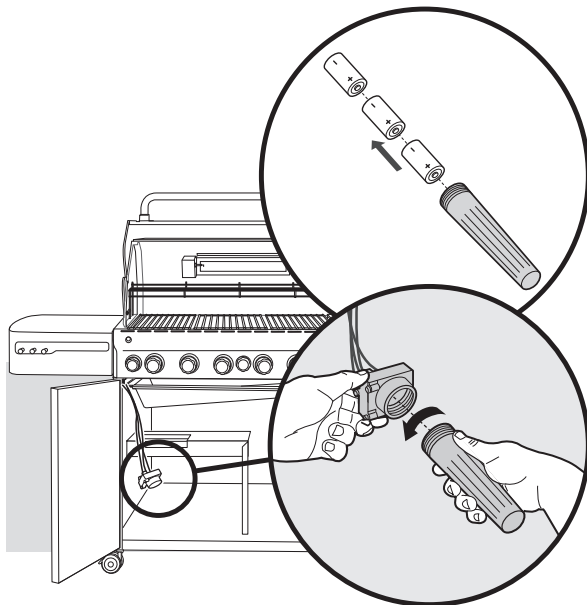
### 1 HOUSING REMOVAL

Loosen the 3 mounting screws on the left frame panel. Push up on the mounting screws, freeing them from the left frame panel. Remove the battery housing.



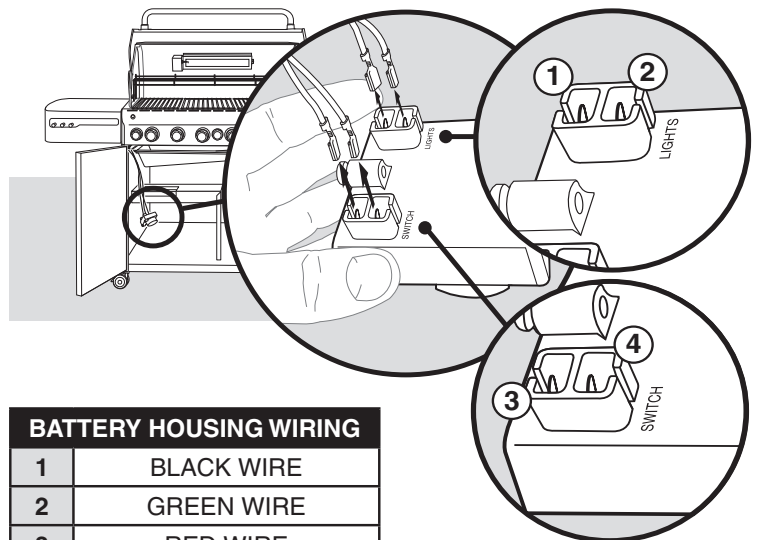
### 2 BATTERY REMOVAL

Holding the top and bottom of the battery housing, twist the housing (as shown) to open. Remove the batteries.



### 3 WIRING REMOVAL

Remove the 4 wiring leads from the top of the battery housing as shown.



#### BATTERY HOUSING WIRING

1	BLACK WIRE
2	GREEN WIRE
3	RED WIRE
4	RED WIRE

### 4 REVERSE STEPS 3-1 TO REATTACH NEW HOUSING