



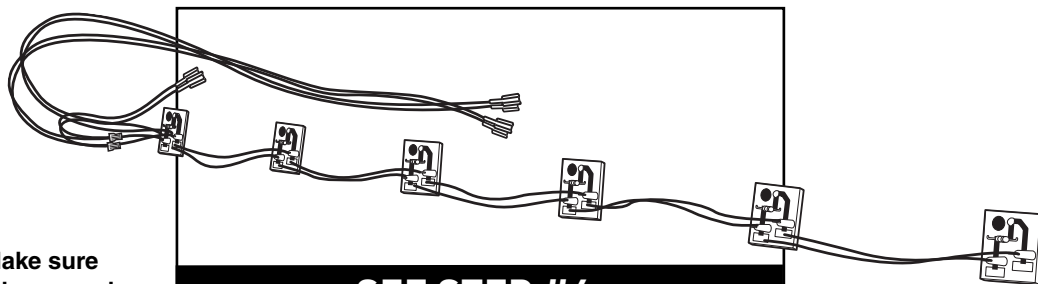
Summit

WIRE HARNESS REPLACEMENT INSTRUCTIONS

THIS PROCEDURE MUST ONLY BE PERFORMED BY AN AUTHORIZED WEBER-STEPHEN PRODUCTS CO. SERVICE TECHNICIAN

⚠ WARNING: GENUINE WEBER-STEPHEN REPLACEMENT PARTS MUST BE USED FOR ANY REPAIR OR REPLACEMENT. YOUR ACTIONS, IF YOU FAIL TO FOLLOW THIS PRODUCT WARNING, MAY CAUSE A FIRE, AN EXPLOSION, OR STRUCTURAL FAILURE RESULTING IN SERIOUS PERSONAL INJURY OR DEATH AS WELL AS DAMAGE TO PROPERTY. (WILL VOID ALL WARRANTY PROTECTION.)

⚠ DANGER: BEFORE PERFORMING ANY WORK MAKE SURE THE GAS SUPPLY IS TURNED OFF AT THE SOURCE. FAILURE TO FOLLOW DANGERS, WARNINGS AND CAUTIONS CONTAINED IN THIS INSTRUCTION SHEET MAY CAUSE A FIRE OR AN EXPLOSION RESULTING IN SERIOUS PERSONAL INJURY OR DEATH AS WELL AS DAMAGE TO PROPERTY.



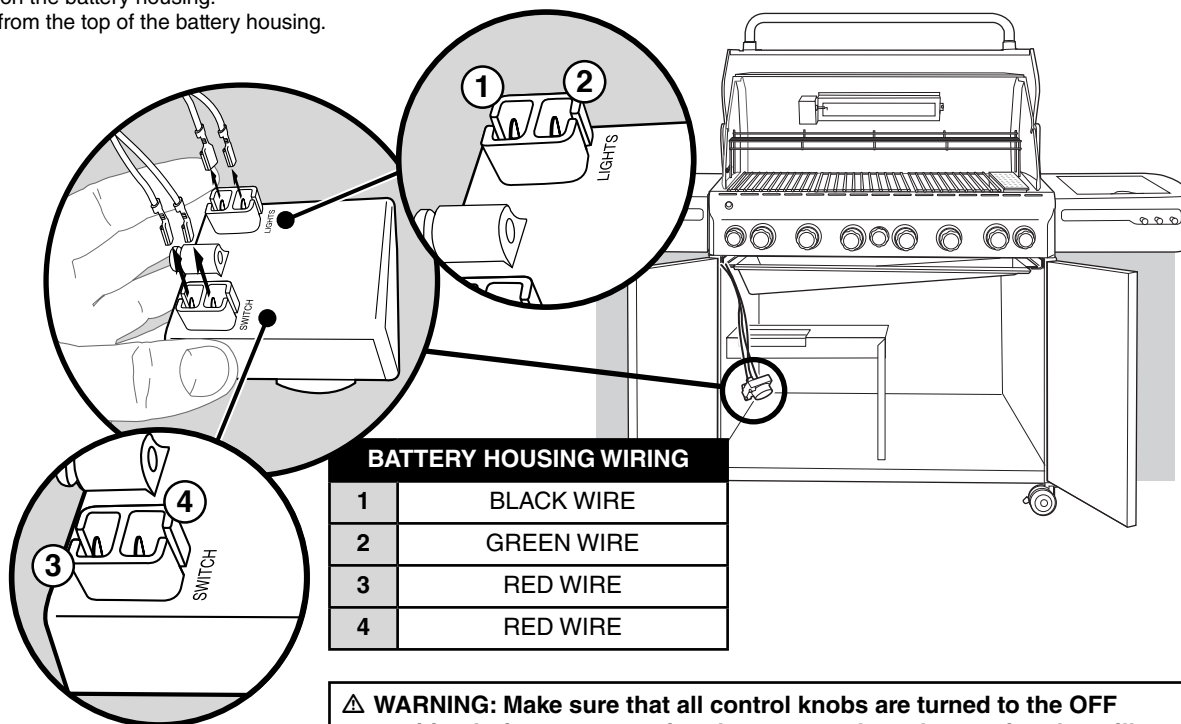
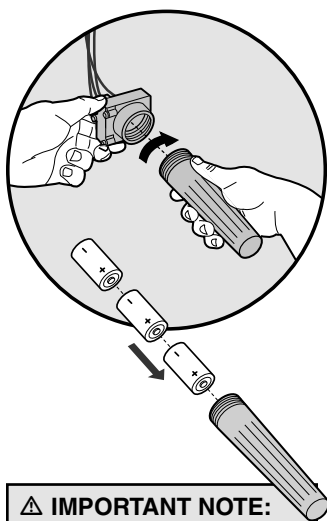
**SEE STEP #4:
WIRING HARNESS REPLACEMENT**

⚠ BEFORE STARTING: Make sure the casters are locked to prevent the grill from moving while removing the cookbox assembly.

1 DISCONNECT BATTERY PACK

Battery Pack Removal:

- A) Remove the battery pack located on the battery housing.
- B) Remove the four (4) wiring leads from the top of the battery housing.



BATTERY HOUSING WIRING	
1	BLACK WIRE
2	GREEN WIRE
3	RED WIRE
4	RED WIRE


⚠ IMPORTANT NOTE:
If it has been close to a year since the batteries were changed, this would be a good time to replace them.

⚠ WARNING: Make sure that all control knobs are turned to the OFF position before reconnecting the gas supply and operating the grill.

NOTE: The grills illustrated may have slight differences than the model purchased.

2

CONTROL PANEL REMOVAL

TOOLS NEEDED:  - PHILLIPS

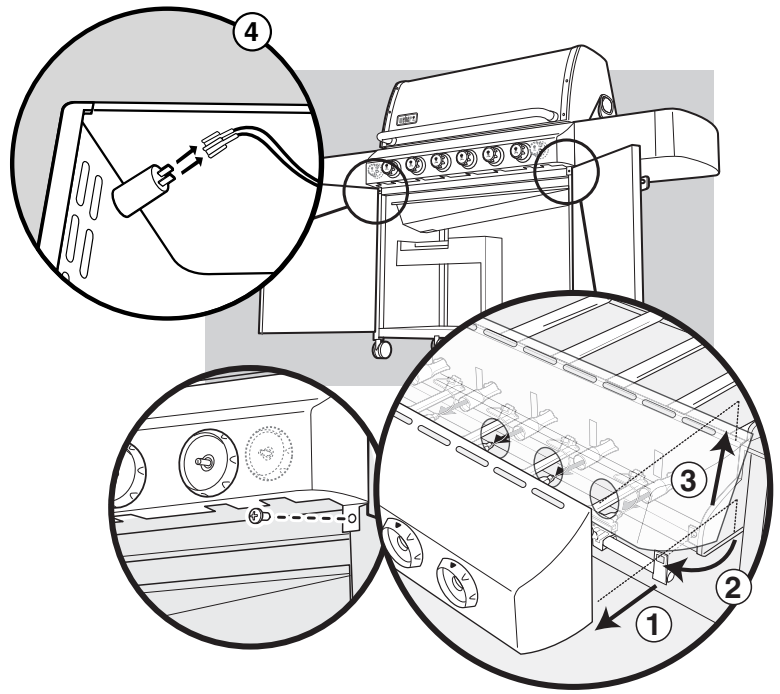
MAKE SURE ALL CONTROL KNOBS ARE SET TO THE "OFF" POSITION BEFORE STARTING TO REMOVE THE CONTROL PANEL.

Control Panel Removal:

- Remove ALL of the control knobs.
- Open both doors: Remove the two (2) screws from the underside of control panel with a Phillips head screwdriver.
- Gently pull the bottom of the control panel forward (1) at the same time tilt (2) and lift (3) the control panel off the hanger brackets and away from the grill. This will allow the control panel to clear the manifold valve assemblies.
- Slide the control panel out slightly to get to the lighted control knob plug. Disconnect the leads from the light switch assembly (4).

⚠ IMPORTANT: To do a proper leak check the control panel must be removed. After checking for leaks replace the control panel and control knobs.

- ⚠ WARNING:** Make sure that all control knobs are turned to the OFF position before reconnecting the gas supply and operating the grill.



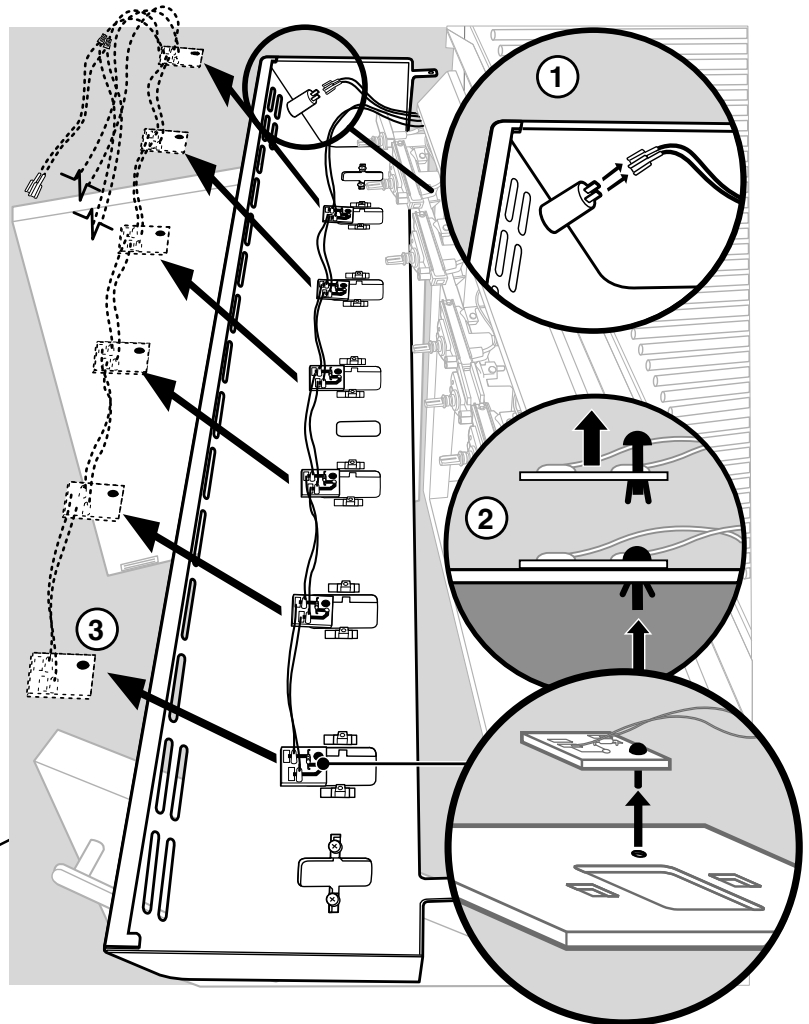
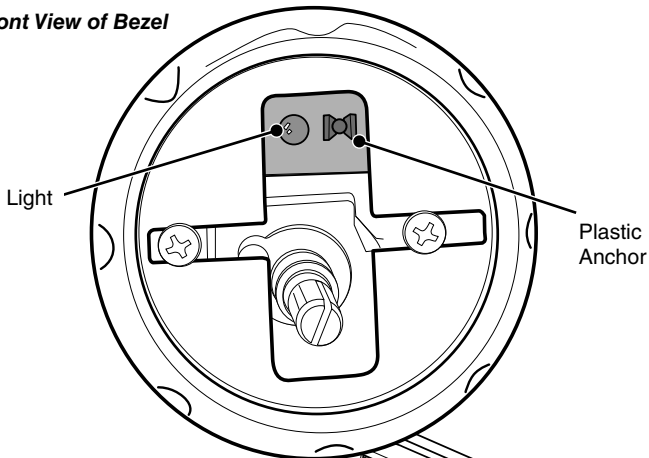
3

WIRING HARNESS REMOVAL

Wiring Harness Removal:

- Place the control panel on a soft, non-abrasive surface to gain access to the wiring harness assembly.
- Release each LED unit from the control panel. From the front of the control panel push in the plastic anchor pin on each of the LED units (2). Once the anchors are free, the LED units can be removed from the control panel (3).

Front View of Bezel



OPTION: Set the control panel on a towel, to prevent the control panel from getting scratched.

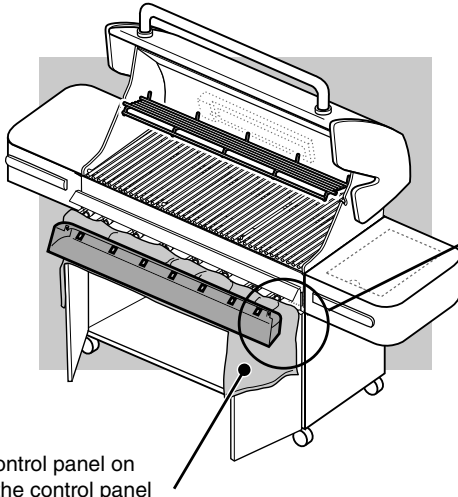
⚠ FOLLOW INSTALLATION STEPS FOR INSTALLING THE NEW WIRING HARENESS ASSEMBLY, AND GRILL RE-ASSEMBLY.

4

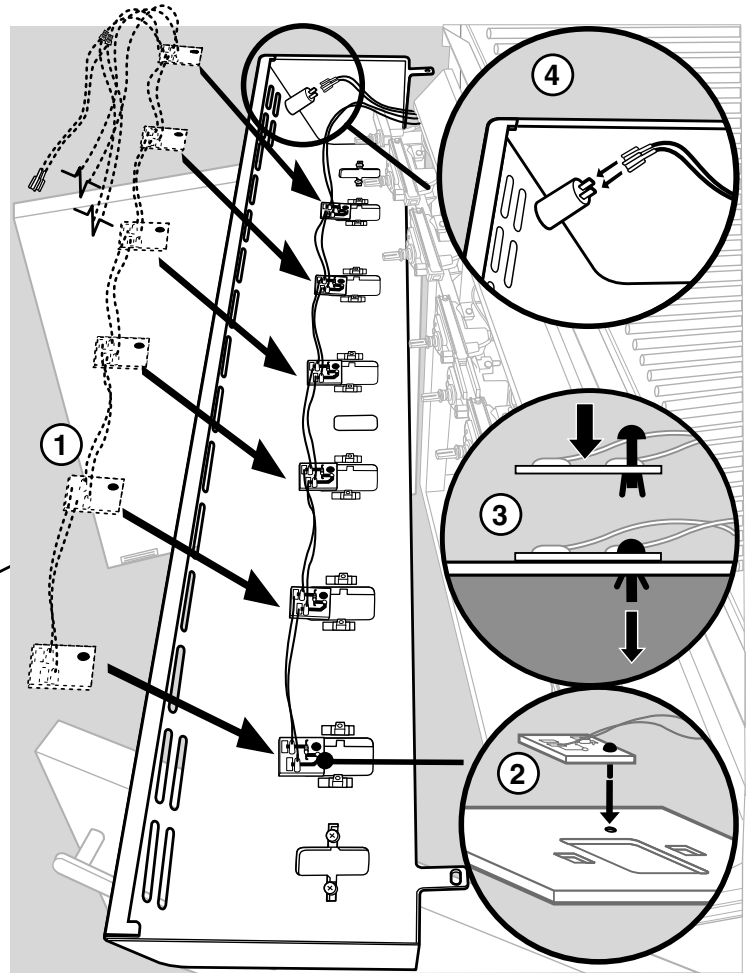
WIRING HARNESS INSTALLATION

Wiring Harness Installation:

- A) Lay the new wiring harness on the inside of the control panel assembly. Line up each of the LED units over each bezel/valve/light opening.
 - B) Place each of the LED units into each respective light position (1). Push in the plastic anchor pin on the LED units as shown (2). When anchor pins are fully seated the LED units will be locked into place (3) on the control panel.
 - C) Reconnect the leads to the Light Switch Assembly (4) located on the left hand side of the control panel.
 - D) Slide the wiring harness leads into the grill frame to the battery pack assembly, and reinstall the batteries.
- Connect the battery pack and check to see if the lights on the control panel work, then disconnect the battery pack before continuing.**




OPTION: Set the control panel on a towel, to prevent the control panel from getting scratched.



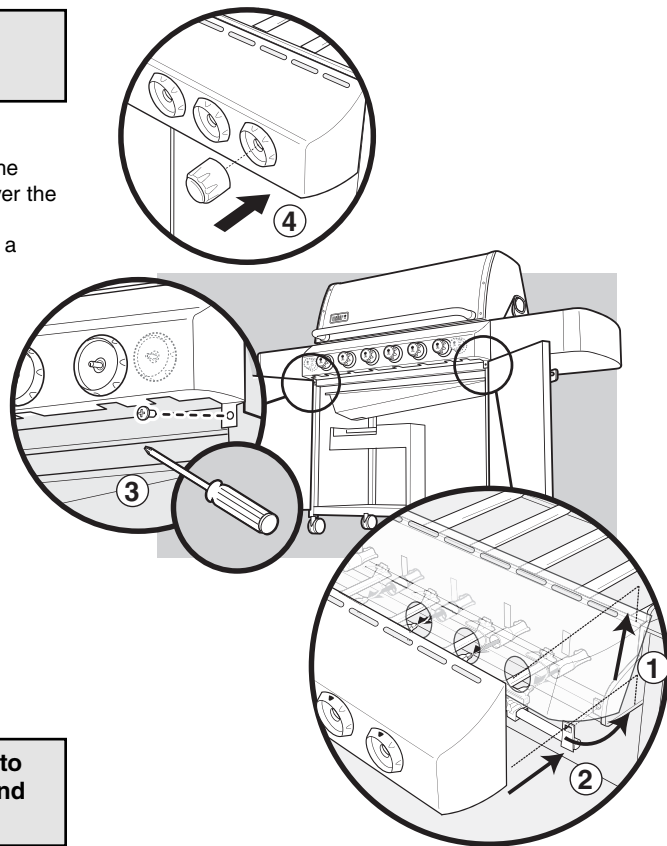
5

CONTROL PANEL INSTALLATION

TOOLS NEEDED:  - PHILLIPS

Control Panel Installation:

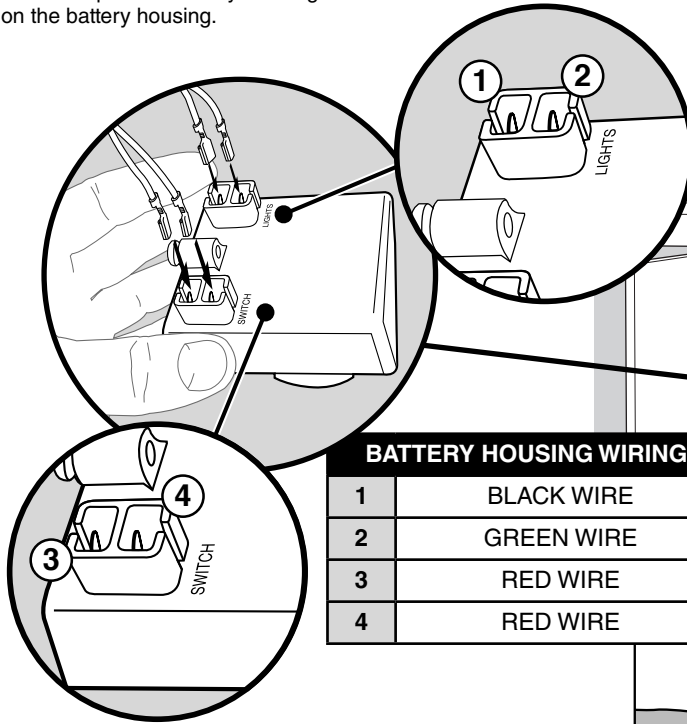
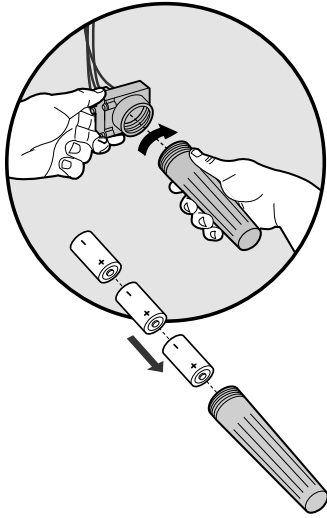
- A) Slide the control panel onto the hanger brackets (1) on the front of the grill assembly. Gently slide the bottom portion of the control panel over the valve assemblies of the manifold (2).
- B) Install the two (2) screws into the underside of control panel (3) with a Phillips head screwdriver.



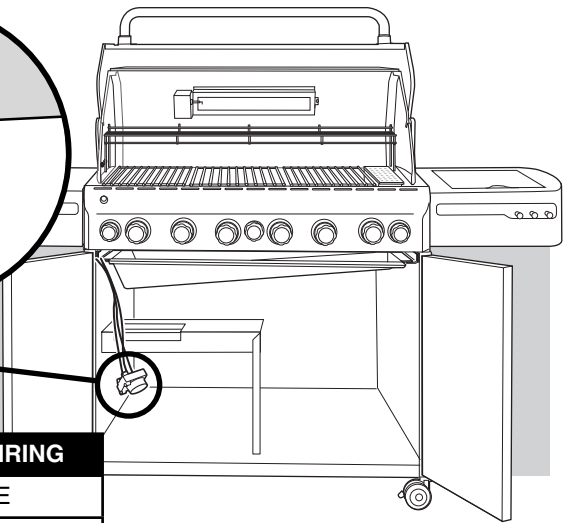
⚠ WARNING: Make sure that all control knobs are turned to the OFF position before reconnecting the gas supply and operating the grill.

Battery Pack Installation:

- A) Replace the four (4) wiring leads from the top of the battery housing.
 B) Reinstall the battery pack located on the battery housing.

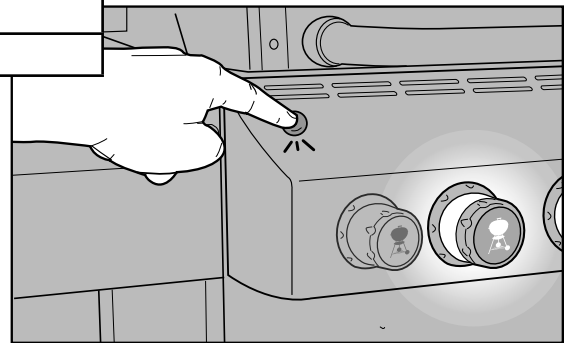
**BATTERY HOUSING WIRING**

1	BLACK WIRE
2	GREEN WIRE
3	RED WIRE
4	RED WIRE



⚠ IMPORTANT NOTE:
 If it has been close to a year since the batteries were changed, this would be a good time to replace them.

⚠ WARNING: Make sure that all control knobs are turned to the OFF position before reconnecting the gas supply and operating the grill.



⚠ WARNING: Make sure that all parts are assembled and hardware is fully tightened before operating the grill. Your actions, if you fail to follow this Product Warning, may cause a fire, an explosion, or structural failure resulting in serious personal injury or death as well as damage to property.

⚠ PROPOSITION 65 WARNING: HANDLING THE BRASS MATERIAL ON THIS PRODUCT EXPOSES YOU TO LEAD, A CHEMICAL KNOWN TO THE STATE OF CALIFORNIA TO CAUSE CANCER, BIRTH DEFECTS OR OTHER REPRODUCTIVE HARM.

(WASH HANDS AFTER HANDLING THIS PRODUCT.)

⚠ WARNING: All repairs to gas carrying, gas burning, igniter components or structural components must be performed by an authorized Weber-Stephen Products Co. service technician.

These parts may be gas carrying, gas burning components, igniter components or structural components. Please contact Weber-Stephen Products Co., Customer Service Department for Genuine Weber-Stephen Products Co. replacement part(s) information.

⚠ WARNING: Do not attempt to make any repair to gas carrying, gas burning, igniter components or structural components without contacting Weber-Stephen Products Co., Customer Service Department. Your actions, if you fail to follow this Product Warning, may cause a fire, an explosion, or structural failure resulting in serious personal injury or death as well as damage to property.



WEBER-STEPHEN PRODUCTS CO.
 Customer Service Center
 1890 Roselle Road, Suite 308
 Schaumburg, IL 60195

1-800-446-1071 (USA ONLY)
 www.weber.com