



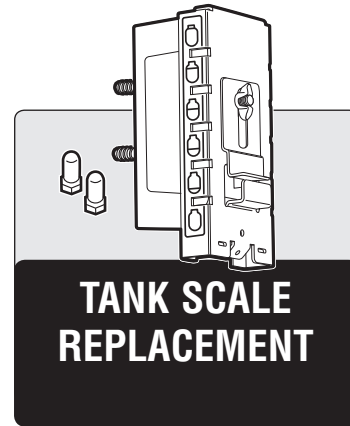
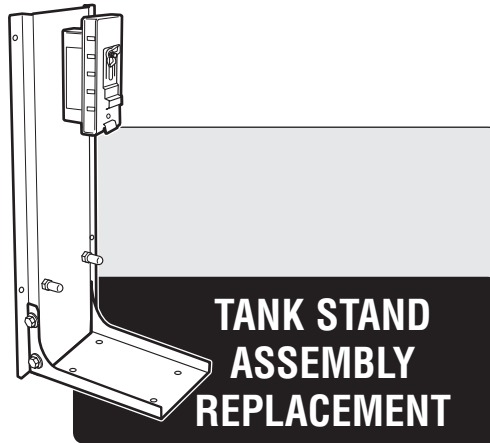
Summit

TANK STAND ASSEMBLY REPLACEMENT INSTRUCTIONS

**THIS PROCEDURE SHOULD ONLY BE PERFORMED BY AN AUTHORIZED
WEBER-STEPHEN PRODUCTS LLC SERVICE TECHNICIAN**

⚠ WARNING: GENUINE WEBER-STEPHEN REPLACEMENT PARTS MUST BE USED FOR ANY REPAIR OR REPLACEMENT. YOUR ACTIONS, IF YOU FAIL TO FOLLOW THIS PRODUCT WARNING, MAY CAUSE A FIRE, AN EXPLOSION, OR STRUCTURAL FAILURE RESULTING IN SERIOUS PERSONAL INJURY OR DEATH AS WELL AS DAMAGE TO PROPERTY. (WILL VOID ALL WARRANTY PROTECTION.)


⚠ DANGER: BEFORE PERFORMING ANY WORK MAKE SURE THE GAS SUPPLY IS TURNED OFF AT THE SOURCE. FAILURE TO FOLLOW DANGERS, WARNINGS AND CAUTIONS CONTAINED IN THIS INSTRUCTION SHEET MAY CAUSE A FIRE OR AN EXPLOSION RESULTING IN SERIOUS PERSONAL INJURY OR DEATH AS WELL AS DAMAGE TO PROPERTY.



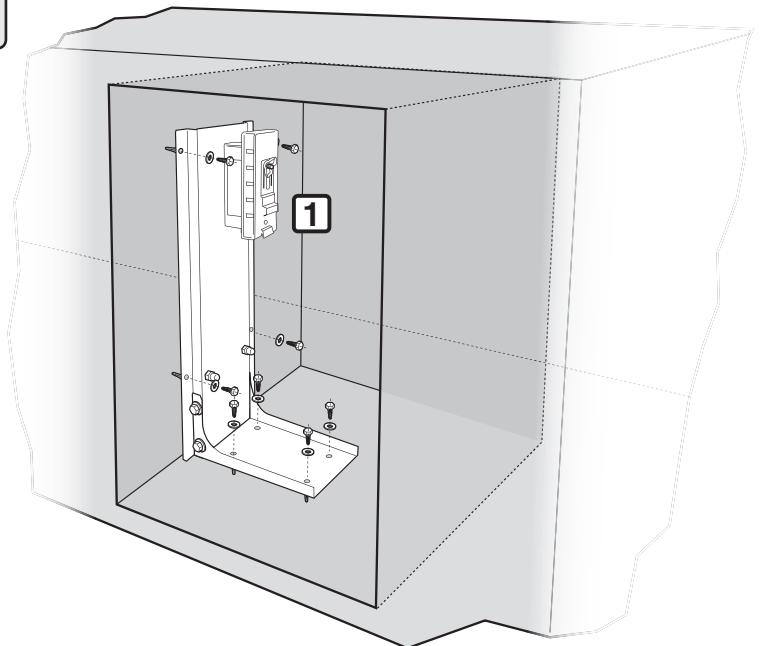
⚠ BEFORE STARTING:
Make sure lid is closed
and casters are locked to
prevent grill from moving.

1

TANK STAND ASSEMBLY REMOVAL

TOOLS NEEDED:  - PHILLIPS

- A) Remove LP tank from tank stand assembly. (Not Pictured)
- B) Using a Phillips head screwdriver, remove screws and washers that secure tank stand assembly to tank enclosure (1).
- C) Remove tank stand assembly.



NOTE: Grills illustrated may have slight differences than model purchased.

56595 10/30/11



2

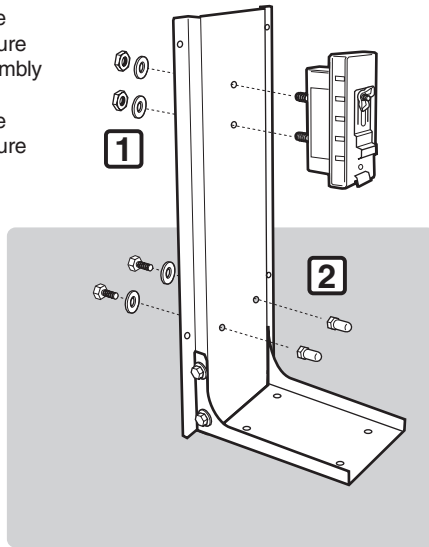
TANK SCALE REMOVAL

TOOLS NEEDED:



- 7/16"

- A) Using a 7/16" wrench, remove screws and washers that secure tank scale to tank stand assembly (1).
- B) Using a 7/16" wrench, remove screws and washers that secure tank glides to tank stand assembly (2).



• REPLACEMENT PART INSTALLATION

3

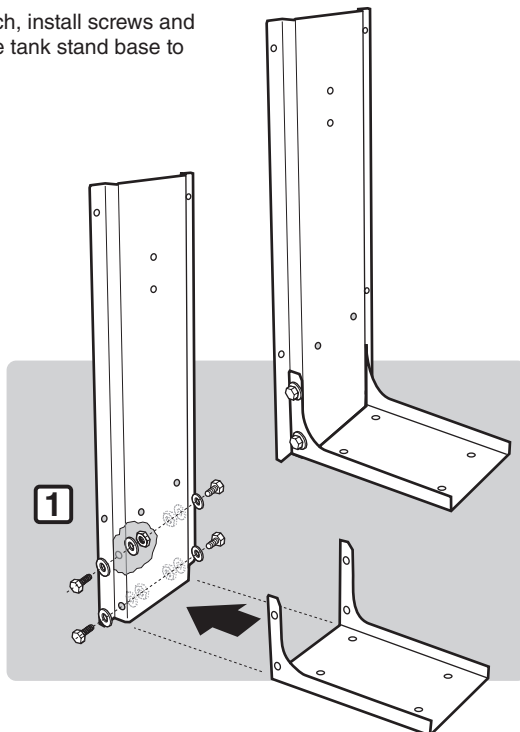
TANK STAND ASSEMBLY

TOOLS NEEDED:



- 7/16"

- A) Using a 7/16" wrench, install screws and washers that secure tank stand base to tank stand (1).



4

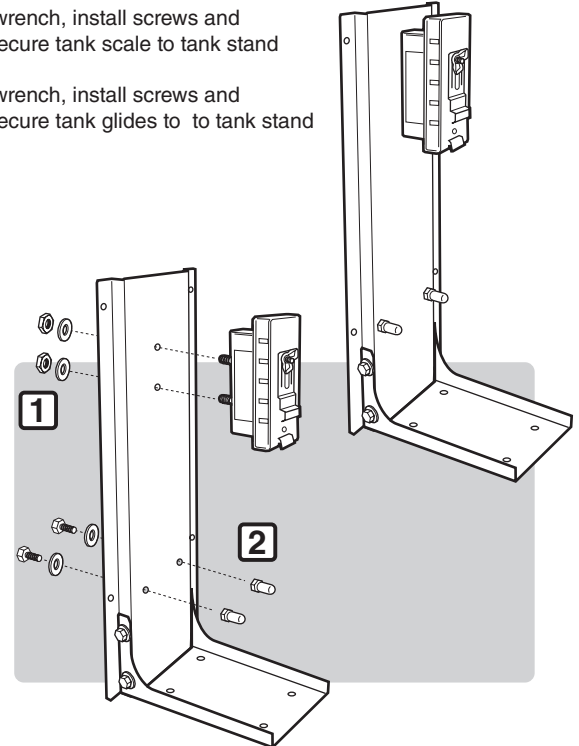
TANK SCALE INSTALLATION

TOOLS NEEDED:



- 7/16"

- A) Using a 7/16" wrench, install screws and washers that secure tank scale to tank stand assembly (1).
- B) Using a 7/16" wrench, install screws and washers that secure tank glides to tank stand assembly (2).



5

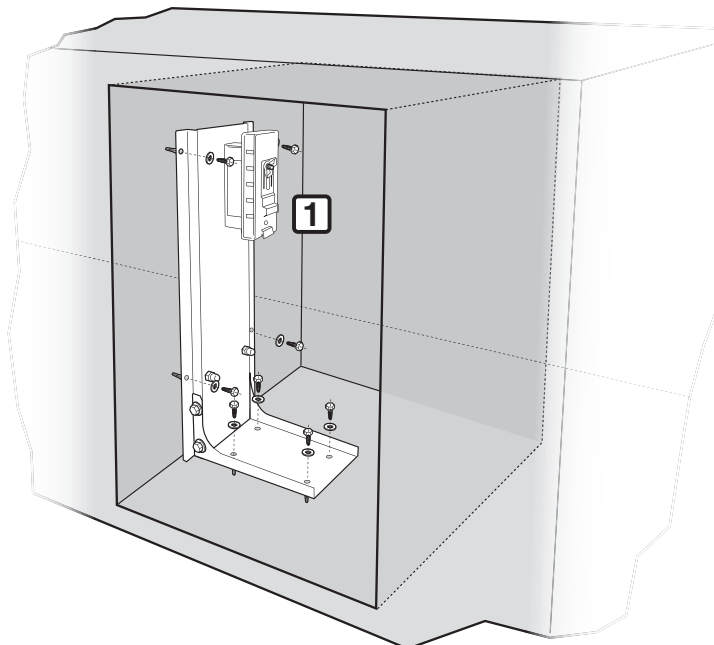
INSTALLATION OF TANK STAND ASSEMBLY

TOOLS NEEDED:



- PHILLIPS

- A) Place tank stand assembly into tank enclosure.
- B) Using a Phillips head screwdriver, install screws and washers that secure tank stand assembly to tank enclosure (1).
- C) Reinstall LP tank onto tank stand assembly. (Not Pictured)



⚠ WARNING: Make sure all parts are assembled and hardware is fully tightened before operating the grill. Your actions, if you fail to follow this product warning, may cause a fire, an explosion, or structural failure resulting in serious personal injury or death as well as damage to property.

⚠ PROPOSITION 65 WARNING: HANDLING THE BRASS MATERIAL ON THIS PRODUCT EXPOSES YOU TO LEAD, A CHEMICAL KNOWN TO THE STATE OF CALIFORNIA TO CAUSE CANCER, BIRTH DEFECTS OR OTHER REPRODUCTIVE HARM.

(WASH HANDS AFTER HANDLING THIS PRODUCT.)

⚠ WARNING: All repairs to gas carrying, gas burning, igniter or structural components must be performed by an authorized Weber-Stephen Products LLC service technician.

These parts may be gas carrying, gas burning, igniter or structural components. Please contact Weber-Stephen Products LLC, Customer Service Department for Genuine Weber-Stephen Products LLC replacement part(s) information.

⚠ WARNING: Do not attempt to make any repair to gas carrying, gas burning, igniter or structural components without contacting Weber-Stephen Products LLC, Customer Service Department. Your actions, if you fail to follow this Product Warning, may cause a fire, an explosion, or structural failure resulting in serious personal injury or death as well as damage to property.



WEBER-STEPHEN PRODUCTS LLC
Customer Service Center
1890 Roselle Road, Suite 308
Schaumburg, IL 60195

1-800-446-1071 (USA ONLY)
www.weber.com