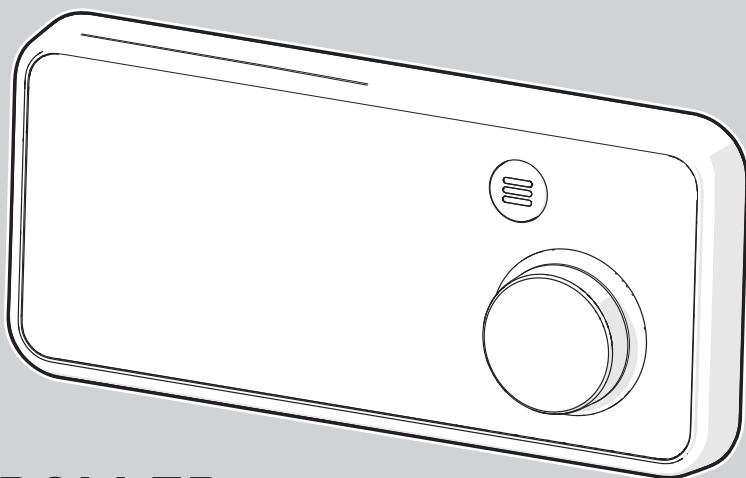


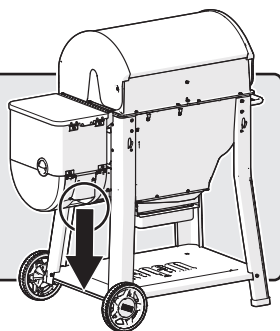
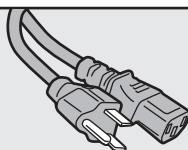


Searwood



CONTROLLER REPLACEMENT INSTRUCTIONS

⚠ DANGER! HAZARDOUS VOLTAGE IS PRESENT WITHIN THE GRILL AND CAN SHOCK, BURN OR CAUSE DEATH. ALWAYS UNPLUG THE GRILL FROM THE POWER SOURCE BEFORE SERVICING OR CLEANING.



⚠ CAUTION: MAKE SURE GRILL IS OFF AND COOL BEFORE BEGINNING ANY REPAIR.

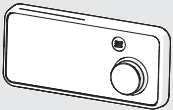
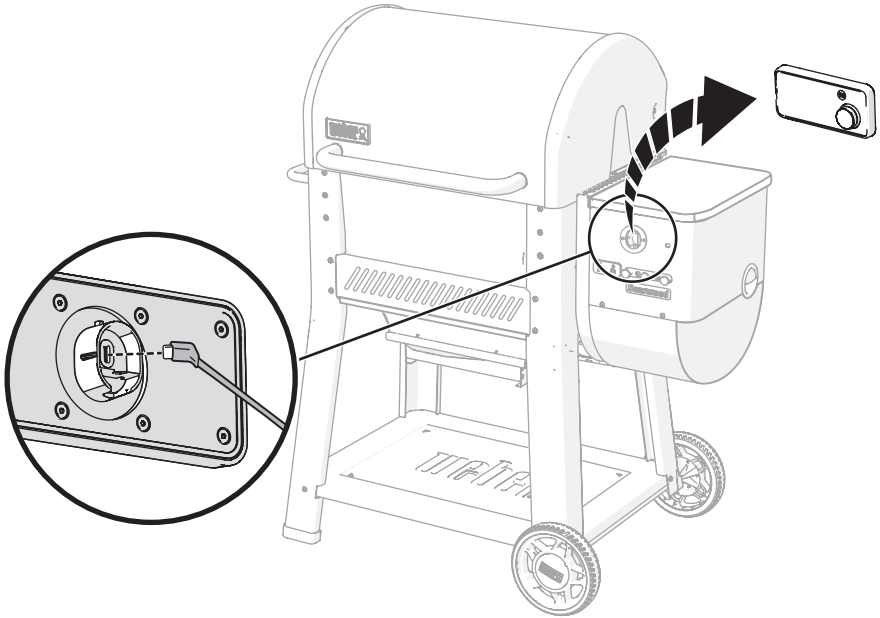
NOTE: Grills illustrated may differ slightly from model purchased.



Hardware may be different on the grill you have,
please use appropriate tool.

1

CONTROLLER REMOVAL

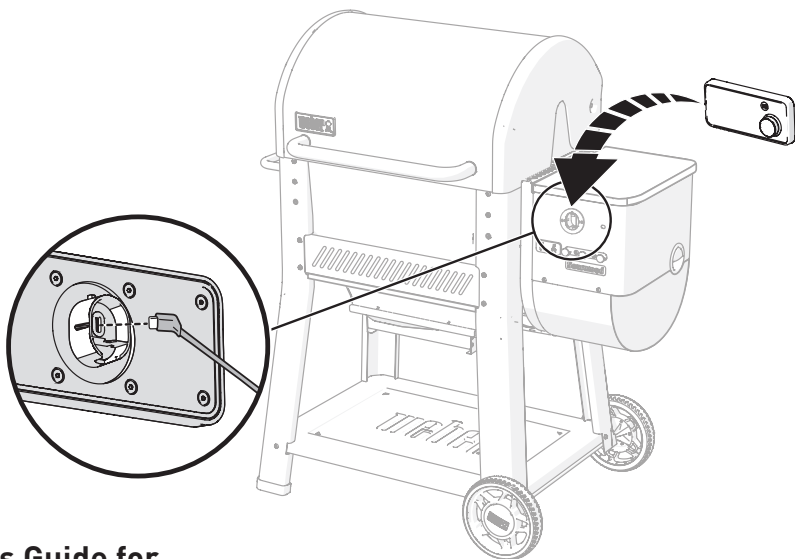


RECYCLE YOUR ELECTRONICS - BE ENVIRONMENTALLY FRIENDLY:

Electronic products are made from Toxic Materials. Because old electronic devices contain toxic substances such as lead, mercury, cadmium and chromium, proper processing is essential to ensure that these materials are not released into the environment.

2

CONTROLLER INSTALLATION



See Owner's Guide for Complete Operation.

First Time Startup Procedure

DOWNLOAD WEBER CONNECT App

Scan the QR code to download the WEBER CONNECT app.



Get the most out of your WEBER SEARWOOD by downloading the WEBER CONNECT app to fully update your grill and register to activate your warranty.

Download, connect and register for:

- Remote Grill Temperature Control
- Flip and Serve Notifications
- Food Readiness Countdowns
- Step-by-step Grilling Assistance

Connecting Your Grill To Bluetooth® or Wi-Fi Network

To connect your WEBER SEARWOOD grill via Bluetooth® or your local Wi-Fi network, follow these steps:

TIP: WEBER recommends connecting your grill to your local Wi-Fi network for easy, fast software updates.

NOTE: WEBER recommends that your smartphone be running the latest version of its operating system before attempting to connect your grill to Bluetooth® or your Wi-Fi network.

1. Verify that your smartphone is connected to Bluetooth® or your local Wi-Fi network.
2. From your smartphone, download the WEBER CONNECT app from the App Store on Apple smartphones, or the Play Store on Android smartphones.
3. Open the WEBER CONNECT app and follow the in-app instructions for connecting to your SEARWOOD grill. When paired, your digital controller will automatically update your software in the background each time the grill is connected.

NOTE: In order to successfully connect your smartphone to your grill via a local Wi-Fi network, first make sure your grill is paired via Bluetooth® and that your grill is within range of your Wi-Fi router. If your attempts to connect have been unsuccessful, try moving the grill within range of the Wi-Fi router or adding a signal extender for a stronger signal. Be sure to locate the grill at least 2 feet (61 cm) away from any combustible materials and flammable liquids.

⚠ WARNING: Make sure all parts are assembled and hardware is fully tightened before operating the grill. Your actions, if you fail to follow this product warning, may cause a fire, an explosion, or structural failure resulting in serious personal injury or death as well as damage to property.

UNITED STATES ONLY

⚠ PROPOSITION 65 Warning: Handling the brass material on this product exposes you to lead, a chemical known to the state of California to cause cancer, birth defects or other reproductive harm.

(Wash hands after handling this product.)

ES **⚠ Propuesta 65 Advertencia:** El manipular los materiales de latón en este producto lo exponen al plomo, una sustancia química conocida por el estado de California como causante de cáncer, de defectos de nacimiento o de otros daños reproductivos.

(Lávese las manos después de manipular este producto.)

FR **⚠ Proposition 65 Mise en garde :** La manipulation du matériau en cuivre contenu dans ce produit vous expose au plomb, agent chimique reconnu par l'état de Californie comme étant à l'origine de cancers, d'anomalies congénitales ou d'autres troubles de la reproduction.

(Lavez-vous les mains après avoir manipulé ce produit.)

⚠ ATTENTION: This product has been safety-tested and is only certified for use in a specific country. Refer to country designation located on outside of box.

These parts may be gas-carrying or gas-burning components. Please contact Weber-Stephen Products LLC Customer Service Department for genuine Weber-Stephen Products LLC replacement part(s) information.



⚠ WARNING: Do not attempt to make any repair to gas-carrying or gas-burning components without contacting Weber-Stephen Products LLC Customer Service Department. Your actions, if you fail to follow this product warning, may cause a fire or an explosion resulting in serious personal injury or death and damage to property.

This symbol indicates that the product cannot be disposed of with household refuse. For instructions regarding proper disposal of this product in Europe, please visit www.weber.com, and contact the importer listed for your country. If you do not have internet access, contact your dealer for the importer's name, address and telephone number.

When you decide to dispose of or discard your grill, all electrical components (e.g., rotisserie motor, batteries, ignition module, handle lights) must be removed and disposed of properly according to WEEE. They should be disposed of separately from the grill.



AUSTRIA

Weber-Stephen Österreich GmbH
+43 (0)7 242 89 0135
service-at@weber.com

BELGIUM

Weber-Stephen Products Belgium Sprl
+32 15 28 30 99
service-be@weber.com

CHILE

Weber-Stephen Chile SpA.
+01 56 2-3224-3936

CZECH REPUBLIC

Weber-Stephen CZ & SK spol. s r.o.
+420 228 882 385
service-cz@weber.com

DENMARK

Weber-Stephen Nordic ApS
+45 99 36 30 10
service-dk@weber.com

FRANCE

Weber-Stephen France SAS
+33 0810 19 32 37
service-fr@weber.com

GERMANY

Weber-Stephen Deutschland GmbH
+49 (0) 30 219 0710
service-de@weber.com

ICELAND

Jarn & Gler Wholesale EHF
+354 58 58 900

INDIA

Weber-Stephen Grill Products India Pvt. Ltd.
080 42406666
customer-care@weberindia.com

ITALY

Weber-Stephen Products Italia Srl
+39 0444 367 911
service-it@weber.com

NETHERLANDS

Weber-Stephen Holland B.V.
+31 (0) 513 4 333 22
service-nl@weber.com

POLAND

Weber-Stephen Polska Sp. z o.o.
+48 22 392 04 69
info-pl@weberstephen.com

RUSSIA

Weber-Stephen Vostok LLC
+7 495 956 63 21
info.ru@weberstephen.com

SOUTH AFRICA

Weber-Stephen Products (South Africa) Pty Ltd.
+27 11 454 2369
info@weber.co.za

SPAIN

Weber-Stephen Ibérica SRL
+34 935 844 055
service-es@weber.com

SWITZERLAND

Weber-Stephen Schweiz GmbH
+41 52 24402 50
service-ch@weber.com

UNITED ARAB EMIRATES

Weber-Stephen Deutschland GmbH, Dubai Branch
+971 4 454 1626
info@weberstephen.ae

UNITED KINGDOM

Weber-Stephen Products (UK) Ltd.
+44 (0)203 630 1500
service-uk@weber.com

USA

Weber-Stephen Products LLC
847 934 5700
support@weberstephen.com

For Republic of Ireland, please contact:
Weber-Stephen Products (U.K.) Limited.

For other Eastern European countries, such as ROMANIA, SLOVENIA, CROATIA or GREECE, please contact:
Weber-Stephen Deutschland GmbH.

For Baltic states, please contact:
Weber-Stephen Nordic ApS.



WEBER-STEPHEN PRODUCTS LLC

www.weber.com

© 2023 Designed and engineered by Weber-Stephen Products LLC,
1415 S. Roselle Road, Palatine, Illinois 60067 USA.

WEBER-STEPHEN PRODUCTS LLC
Customer Service Center: 1415 S. Roselle Road, Palatine, Illinois 60067 USA

1-800-446-1071 (U.S.A. ONLY)